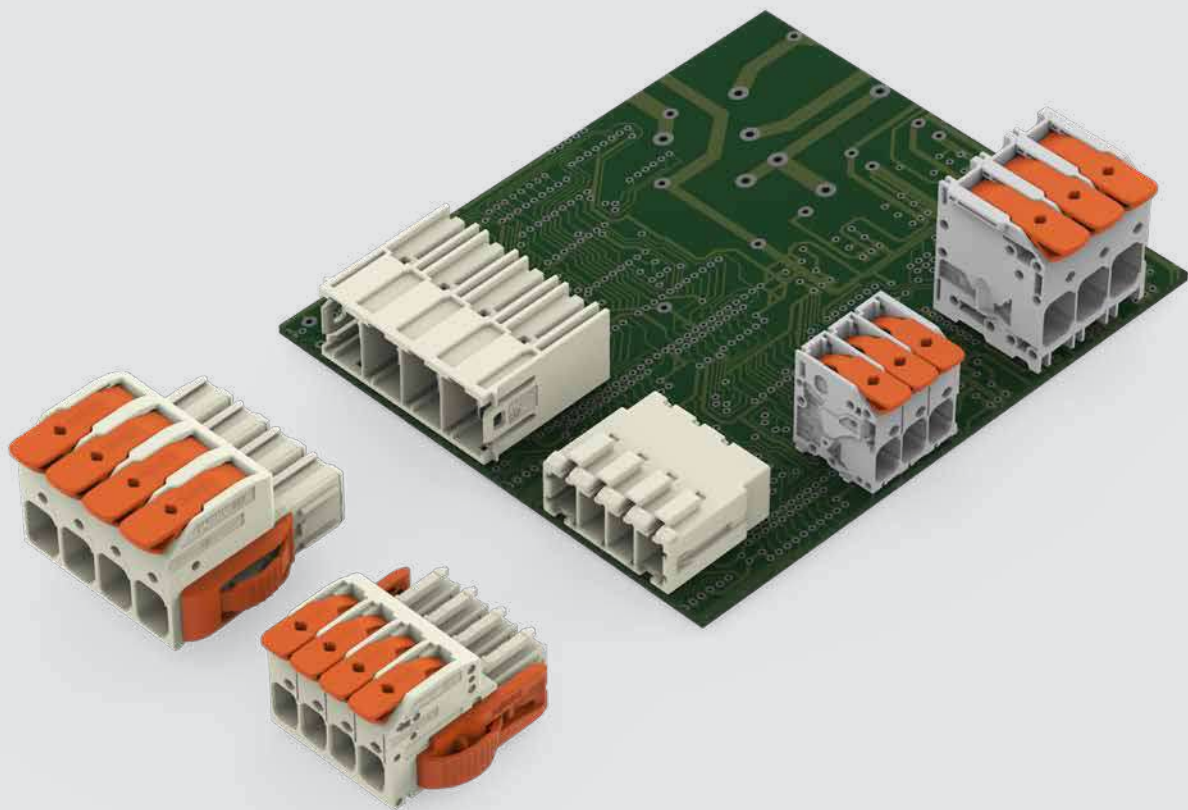




WAGO PCB Terminal Blocks and Connectors

Full Line Catalog, Volume 2 – Edition 2021/2022

2



WAGO Full Line Catalogs



Volume 1, WAGO Rail-Mount Terminal Blocks and Connectors

- Rail-Mount Terminal Blocks
- Rail-Mount Terminal Blocks with Pluggable Connector (X-COM®-SYSTEM)
- Patchboard Systems
- Terminal Strips
- PUSH WIRE® Connectors for Junction Boxes
- Lighting Connectors
- Shield Connecting System



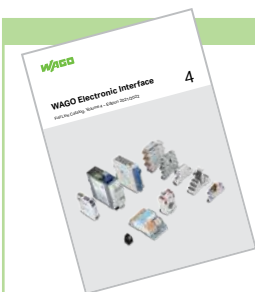
Volume 2, WAGO PCB Terminal Blocks and Connectors

- PCB Terminal Blocks
- THR/SMD PCB Terminal Blocks
- *MULTI CONNECTION SYSTEM (MCS)*
- Pluggable PCB Terminal Blocks
- Feedthrough Terminal Blocks
- Specialty Connectors
- Empty Housings



Volume 3, Automation Technology

- Solutions & Software
- Operating & Monitoring
- Controllers, Edge Devices
- Modular I/O-SYSTEM IP20, I/O-SYSTEM IP67
- Industrial Switches
- Radio Technology
- IP67 Sensor/Actuator Boxes, IP67 Cables and Connectors



Volume 4, WAGO Interface Electronic

- Relay and Optocoupler Modules
- Signal Conditioners and Isolation Amplifiers
- Current and Energy Measurement Technology
- Power Supplies
- Interface Modules and System Wiring
- Overvoltage Protection
- Empty Housings



Volume 5, WAGO Pluggable Connection System WINSTA®

- Pluggable Connectors
- Snap-In Device Connectors
- Pluggable PCB Connectors
- Distribution Connectors
- Cable Assemblies
- Flat Cable Systems
- Distribution Boxes



Volume 6, WAGO Marking

- Printer
- Software
- Terminal Block Marking
- Cable and Conductor Marking
- Device Marking
- Marker Carriers

Volume 2, WAGO PCB Terminal Blocks and Connectors

		Page
	WAGO PCB Terminal Blocks	17
	WAGO THR PCB Terminal Blocks	267
	WAGO SMD PCB Terminal Blocks	301
	WAGO MULTI CONNECTION SYSTEM (MCS) MICRO Pin Spacing 2,5 mm / 0,08 ... 0,5 mm ² (28 ... 20 AWG)	337
	WAGO MULTI CONNECTION SYSTEM (MCS) MINI Pin Spacing: 3.5 mm (0.138 inch), 3.81 mm (0.15 inch) / 0.08 ... 1.5 mm ² (28 ... 14 AWG)	357
	WAGO MULTI CONNECTION SYSTEM (MCS) MINI HD Pin Spacing: 3.5 mm (0.138 inch) / 0.08 ... 1.5 mm ² (28 ... 16 AWG)	425
	WAGO MULTI CONNECTION SYSTEM (MCS) MINI SL Pin Spacing: 3.5 mm (0.138 inch) / 0.2 ... 1.5 mm ² (24 ... 16 AWG)	449
	WAGO MULTI CONNECTION SYSTEM (MCS) MIDI Pin Spacing: 5 mm (0.197 inch), 7.5 mm (0.295 inch) / 0.08 ... 2.5 mm ² (28 ... 12 AWG)	459
	WAGO MULTI CONNECTION SYSTEM (MCS) MIDI Classic Pin Spacing: 5 mm (0.197 inch), 5.08 mm (0.2 inch), 7.5 mm (0.295 inch), 7.62 mm (0.3 inch) / 0.08 ... 2.5 mm ² (28 ... 12 AWG)	557
	WAGO MULTI CONNECTION SYSTEM (MCS) MAXI 6 Pin Spacing: 7.62 mm (0.3 inch) / 0.5 ... 10 mm ² (20 ... 8 AWG) WAGO MULTI CONNECTION SYSTEM (MCS) MAXI 16 Pin Spacing: 10.16 mm (0.4 inch) / 0.75 ... 16 mm ² (18 ... 4 AWG)	749
	Pluggable WAGO PCB Terminal Blocks Pin Spacing: 3.5 mm (0.138 inch), 5 mm (0.197 inch), 5.75 mm (0.226 inch)	787
	WAGO Feedthrough Terminal Strips	799
	WAGO Specialty Connectors WAGO Wire-Tap Branch Connectors; WAGO Connectors for KNX/EIB Applications	835
	Modular WAGO Empty Housings	849
	WAGO Accessories and WAGO Tools	861
	Technical Section	889
	Index and Addresses	939

Operating WAGO Connection Technologies

Please follow the applicable product-specific termination instructions.

PUSH-IN CAGE CLAMP®



Push-in CAGE CLAMP® terminates the following copper conductors:
solid



stranded



fine-stranded,
also with tinned
single strands



fine-stranded,
tip-bonded



fine-stranded,
with ferrule
(gastight crimped)



fine-stranded,
with pin terminal
(gastight crimped)

The universal connection with an additional advantage:

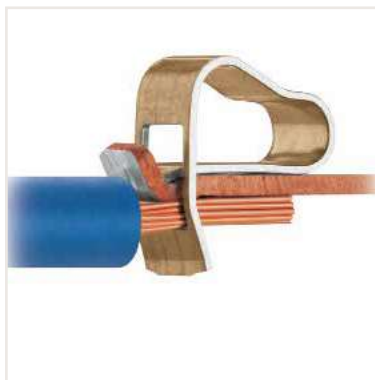
Push-in connection

Terminate solid and stranded (Class B 7 strands or less), as well as ferruled conductors, by simply pushing them in – no tools required.

Termination for all conductor types:

- Open clamping unit.
- Insert the conductor.
- Release clamp – done!

CAGE CLAMP®



CAGE CLAMP® terminates the following copper conductors:
solid



stranded



fine-stranded,
also with tinned
single strands



fine-stranded,
tip-bonded



fine-stranded,
with ferrule
(gastight crimped)



fine-stranded,
with pin terminal
(gastight crimped)

The universal connection for solid, stranded and fine-stranded conductors

Termination:

- Open clamping unit.
- Insert the conductor.
- Release clamp – done!

Operating WAGO Connection Technologies

Please follow the applicable product-specific termination instructions.

POWER CAGE CLAMP®



POWER CAGE CLAMP terminates the following copper conductors:
solid



stranded



fine-stranded,
also with tinned
single strands



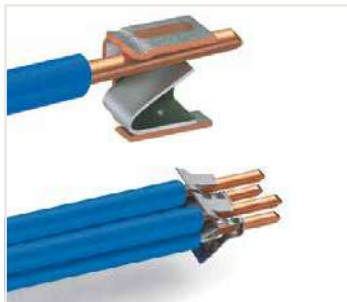
fine-stranded,
with ferrule
(gastight crimped)

The universal connection for conductors larger than 35 mm² (2 AWG)

Termination:

- Open clamp by turning a T-wrench counter-clockwise.
- Press the integrated latch to open clamping unit for hands-free wiring.
- Insert the conductor.
- A small counter-clockwise rotation closes the clamp, securing conductor.

PUSH WIRE®



PUSH WIRE® terminates the following copper conductors:
solid

PUSH WIRE® connection for solid and stranded conductors (depending on the model used)


Termination:


Tool-free, twist-free terminations for solid and rigid stranded conductors – simply push into the unit.

PCB Terminal Blocks

– Product Overview by Pin Spacing –

2.5 mm/0.098 inch, 2.54 mm/0.1 inch	3 mm/0.118 inch	3.5 mm/0.138 inch, 3.81 mm/0.15 inch		4 mm/0.156 inch
<p>233 Series</p>  <p>CAGE CLAMP</p> <p>0.08 ... 0.5 mm² / 28 ... 20 AWG Page 21</p>	<p>2059 Series</p>  <p>SMT PUSH WIRE</p> <p>0.14 ... 0.34 mm² / 26 ... 22 AWG "sol." Page 303, 304</p>	<p>739 Series</p>  <p>CAGE CLAMP</p> <p>0.08 ... 1.5 mm² / 28 ... 14 AWG Page 79, 81</p>		<p>2060 Series</p>  <p>THR PUSH-IN CAGE CLAMP</p> <p>0.2 ... 0.75 mm² / 24 ... 18 AWG Page 271 ... 275</p>
<p>218 Series</p>  <p>CAGE CLAMP</p> <p>0.08 ... 0.5 mm² / 28 ... 20 AWG Page 97</p>	<p>2059 Series</p>  <p>SMT PUSH WIRE</p> <p>0.5 mm² / 20 AWG "sol." Page 303, 304</p>	<p>235 Series</p>  <p>3.81 PUSH-IN CAGE CLAMP</p> <p>0.5 ... 1.5 mm² / 20 ... 16 AWG Page 185, 187</p>		<p>2060 Series</p>  <p>THR PUSH-IN CAGE CLAMP</p> <p>0.2 ... 0.75 mm² / 24 ... 18 AWG Page 271 ... 275</p>
<p>218 Series</p>  <p>THR CAGE CLAMP</p> <p>0.08 ... 0.5 mm² / 28 ... 20 AWG Page 295, 296</p>		<p>805 Series</p>  <p>3.5 PUSH-IN CAGE CLAMP</p> <p>0.2 ... 1.5 mm² / 24 ... 16 AWG Page 191 ... 194</p>	<p>805 Series</p>  <p>3.5 THR PUSH-IN CAGE CLAMP</p> <p>0.2 ... 1.5 mm² / 24 ... 16 AWG Page 291</p>	<p>2060 Series</p>  <p>SMT PUSH-IN CAGE CLAMP</p> <p>0.2 ... 0.75 mm² / 24 ... 18 AWG Page 307, 309</p>
<p>233 Series</p>  <p>CAGE CLAMP</p> <p>0.08 ... 0.5 mm² / 28 ... 20 AWG Page 101</p>		<p>250 Series</p>  <p>3.5 PUSH-IN CAGE CLAMP</p> <p>0.2 ... 1.5 mm² / 24 ... 16 AWG Page 171, 172</p>	<p>250 Series</p>  <p>THR 3.5 PUSH-IN CAGE CLAMP</p> <p>0.2 ... 1.5 mm² / 24 ... 16 AWG Page 289</p>	<p>2060 Series</p>  <p>SMT PUSH-IN CAGE CLAMP</p> <p>0.2 ... 0.75 mm² / 24 ... 18 AWG Page 307, 309</p>
<p>234 Series</p>  <p>CAGE CLAMP</p> <p>0.08 ... 0.5 mm² / 28 ... 20 AWG Page 103</p>			<p>235 Series</p>  <p>3.81 PUSH WIRE</p> <p>0.5 ... 1.5 mm² / 20 ... 16 AWG "sol." Page 221, 223</p>	
<p>250 Series</p>  <p>PUSH-IN CAGE CLAMP</p> <p>0.2 ... 0.5 mm² / 24 ... 20 AWG Page 167, 168</p>		<p>744 Series</p>  <p>3.5 PUSH WIRE</p> <p>0.5 ... 1.5 mm² / 20 ... 16 AWG "sol." Page 231, 232</p>	<p>735 Series</p>  <p>3.81 PUSH WIRE</p> <p>0.5 ... 1.5 mm² / 20 ... 16 AWG "sol." Page 235 ... 239</p>	
<p>250 Series</p>  <p>THR 2.5 PUSH-IN CAGE CLAMP</p> <p>0.2 ... 0.5 mm² / 24 ... 20 AWG Page 287</p>				



































5 mm/0.197 inch, 5.08 mm/0.2 inch				6 mm/0.236 inch
<p>236 Series</p>  <p>CAGE CLAMP®</p> <p>0.08 ... 2.5 mm² / 28 ... 12* AWG Page 23, 29</p>	<p>236 Series</p>  <p>5 THR</p> <p>CAGE CLAMP®</p> <p>0.08 ... 2.5 mm² / 28 ... 12* AWG Page 293</p>	<p>745 Series</p>  <p>5</p> <p>CAGE CLAMP®</p> <p>0.08 ... 4 mm² / 28 ... 12 AWG Page 37, 40</p>	<p>745 Series</p>  <p>5</p> <p>CAGE CLAMP®</p> <p>0.08 ... 4 mm² / 28 ... 12 AWG Page 43, 45</p>	<p>2061 Series</p>  <p>THR</p> <p>PUSH-IN CAGE CLAMP®</p> <p>0.5 ... 1.5 mm² / 20 ... 16 AWG Page 277 ... 283</p>
<p>739 Series</p>  <p>CAGE CLAMP®</p> <p>0.08 ... 2.5 mm² / 28 ... 12* AWG Page 83</p>		<p>740 Series</p>  <p>5</p> <p>CAGE CLAMP®</p> <p>0.08 ... 2.5 mm² / 28 ... 12* AWG Page 93</p>	<p>816 Series</p>  <p>5</p> <p>PUSH-IN CAGE CLAMP®</p> <p>2 x 0.2 ... 1.5 mm² / 2 x 24 ... 16 AWG Page 143</p>	<p>2061 Series</p>  <p>THR</p> <p>PUSH-IN CAGE CLAMP®</p> <p>0.5 ... 1.5 mm² / 20 ... 16 AWG Page 277 ... 283</p>
<p>Disconnect/test terminal blocks, 742 Series</p>  <p>CAGE CLAMP®</p> <p>0.08 ... 2.5 mm² / 28 ... 12* AWG Page 247, 249</p>	<p>Terminal blocks with jumper slot, 742 Series</p>  <p>CAGE CLAMP®</p> <p>0.08 ... 2.5 mm² / 28 ... 12* AWG Page 251, 253</p>	<p>Fuse terminal blocks, 742 Series</p>  <p>CAGE CLAMP®</p> <p>0.08 ... 2.5 mm² / 28 ... 12* AWG Page 255, 257</p>	<p>804 Series</p>  <p>5</p> <p>PUSH-IN CAGE CLAMP®</p> <p>0.25 ... 2.5 mm² / 20 ... 12 AWG Page 197</p>	<p>2061 Series</p>  <p>SMT</p> <p>PUSH-IN CAGE CLAMP®</p> <p>0.5 ... 1.5 mm² / 20 ... 16 AWG Page 313, 315</p>
<p>736 Series</p>  <p>CAGE CLAMP®</p> <p>0.08 ... 2.5 mm² / 28 ... 12* AWG Page 59, 63</p>	<p>737 Series</p>  <p>CAGE CLAMP®</p> <p>0.08 ... 2.5 mm² / 28 ... 12* AWG Page 67, 71</p>	<p>738 Series</p>  <p>CAGE CLAMP®</p> <p>0.08 ... 2.5 mm² / 28 ... 12* AWG Page 75, 77</p>	<p>735 Series</p>  <p>5</p> <p>PUSH WIRE®</p> <p>0.5 ... 1.5 mm² / 20 ... 16 AWG*sol.* Page 235 ... 241</p>	<p>2061 Series</p>  <p>SMT</p> <p>PUSH-IN CAGE CLAMP®</p> <p>0.5 ... 1.5 mm² / 20 ... 16 AWG Page 313, 315</p>
<p>255 Series</p>  <p>5</p> <p>CAGE CLAMP®</p> <p>0.08 ... 2.5 mm² / 28 ... 12* AWG Page 107 ... 111</p>	<p>256 Series</p>  <p>5</p> <p>CAGE CLAMP®</p> <p>0.08 ... 2.5 mm² / 28 ... 12* AWG Page 113 ... 121</p>	<p>257 Series</p>  <p>5</p> <p>CAGE CLAMP®</p> <p>0.08 ... 2.5 mm² / 28 ... 12* AWG Page 123 ... 131</p>	<p>2604 Series</p>  <p>5</p> <p>PUSH-IN CAGE CLAMP®</p> <p>0.2 ... 4 mm² / 24 ... 12 AWG Page 199 ... 202</p>	<p>2070 Series</p>  <p>SMT 6,5</p> <p>PUSH-IN CAGE CLAMP®</p> <p>0.2 ... 0.75 mm² / 24 ... 18 AWG Page 321 ... 234</p>
<p>235 Series</p>  <p>PUSH-IN CAGE CLAMP®</p> <p>0.5 ... 1.5 mm² / 20 ... 14 AWG Page 181, 183</p>	<p>250 Series</p>  <p>5</p> <p>PUSH-IN CAGE CLAMP®</p> <p>0.5 ... 1.5 mm² / 20 ... 14 AWG Page 175</p>	<p>250 Series</p>  <p>5</p> <p>PUSH-IN CAGE CLAMP®</p> <p>2 x 0.5 ... 1.5 mm² / 20 ... 14 AWG Page 177</p>	<p>2624 Series</p>  <p>5</p> <p>PUSH-IN CAGE CLAMP®</p> <p>0.2 ... 6 mm² / 24 ... 10 AWG Page 147 ... 150</p>	<p>2065 Series</p>  <p>PUSH WIRE® PUSH-IN CAGE CLAMP®</p> <p>0.2 ... 0.75 mm² / 24 ... 18 AWG Page 317, 319</p>
<p>235 Series</p>  <p>PUSH WIRE®</p> <p>0.5 ... 2.5 mm² / 20 ... 14 AWG*sol.* Page 217, 219</p>	<p>254 Series</p>  <p>PUSH WIRE®</p> <p>0.5 ... 2.5 mm² / 20 ... 12 AWG*sol.* Page 227, 229</p>	<p>253 Series</p>  <p>5</p> <p>PUSH WIRE®</p> <p>2 x 0.5 ... 1.5 mm² / 2 x 20 ... 16 AWG Page 243</p>		
<p>Feedthrough terminal strips, 741 Series</p>  <p>CAGE CLAMP®</p> <p>0.08 ... 2.5 mm² / 28 ... 12* AWG Page 819 ... 825</p>	<p>Feedthrough terminal strips, 231 and 731 Series</p>  <p>CAGE CLAMP®</p> <p>0.08 ... 2.5 mm² / 28 ... 12* AWG Page 827, 831</p>			











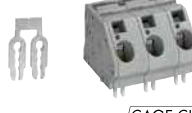



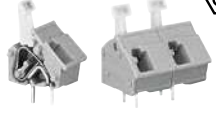









 Only available in this pin spacing!

*AWG 12: THHN, THWN

PCB Terminal Blocks

– Product Overview by Pin Spacing –

7.5 mm/0.295 inch, 7.62 mm/0.3 inch			8 mm/0.314 inch	10 mm/0.394 inch, 10.16 mm/0.4 inch
<p>236 Series</p>  <p>Ex</p> <p>CAGE CLAMP®</p> <p>0.08 ... 2.5 mm² / 28 ... 12* AWG Page 25, 31</p>	<p>745 Series</p>  <p>Ex</p> <p>7.5</p> <p>CAGE CLAMP®</p> <p>0.08 ... 4 mm² / 28 ... 12 AWG Page 40</p>	<p>2604 Series</p>  <p>7.5</p> <p>PUSH-IN CAGE CLAMP®</p> <p>0.2 ... 4 mm² / 24 ... 12 AWG Page 201, 202</p>	<p>2060 Series</p>  <p>SMT</p> <p>PUSH-IN CAGE CLAMP®</p> <p>0.2 ... 0.75 mm² / 24 ... 18 AWG Page 311</p>	<p>236 Series</p>  <p>Ex</p> <p>CAGE CLAMP®</p> <p>0.08 ... 2.5 mm² / 28 ... 12* AWG Page 27, 33</p>
<p>739 Series</p>  <p>CAGE CLAMP®</p> <p>0.08 ... 2.5 mm² / 28 ... 12* AWG Page 87, 89</p>		<p>2624 Series</p>  <p>7.5</p> <p>PUSH-IN CAGE CLAMP®</p> <p>0.2 ... 6 mm² / 24 ... 10 AWG Page 149, 150</p>	<p>2060 Series</p>  <p>THR</p> <p>PUSH-IN CAGE CLAMP®</p> <p>0.2 ... 0.75 mm² / 24 ... 18 AWG Page 275</p>	<p>745 Series</p>  <p>Ex</p> <p>10</p> <p>CAGE CLAMP®</p> <p>0.2 ... 6 mm² / 24 ... 10 AWG Page 47</p>
<p>745 Series</p>  <p>Ex</p> <p>7.5</p> <p>CAGE CLAMP®</p> <p>0.2 ... 4 mm² / 28 ... 12 AWG Page 43, 45</p>	<p>745 Series</p>  <p>Ex</p> <p>7.5</p> <p>CAGE CLAMP®</p> <p>0.2 ... 6 mm² / 24 ... 10 AWG Page 49, 51</p>	<p>2606 Series</p>  <p>7.5</p> <p>PUSH-IN CAGE CLAMP®</p> <p>0.2 ... 10 mm² / 24 ... 8 AWG Page 205, 207</p>	<p>2060 Series</p>  <p>THR</p> <p>PUSH-IN CAGE CLAMP®</p> <p>0.2 ... 0.75 mm² / 24 ... 18 AWG Page 275</p>	<p>745 Series</p>  <p>Ex</p> <p>10</p> <p>CAGE CLAMP®</p> <p>0.08 ... 4 mm² / 28 ... 12 AWG Page 43, 45</p>
<p>736 Series</p>  <p>CAGE CLAMP®</p> <p>0.08 ... 2.5 mm² / 28 ... 12* AWG Page 58, 62</p>	<p>737 Series</p>  <p>CAGE CLAMP®</p> <p>0.08 ... 2.5 mm² / 28 ... 12* AWG Page 66, 70</p>	<p>2626 Series</p>  <p>7.5</p> <p>PUSH-IN CAGE CLAMP®</p> <p>0.2 ... 10 mm² / 24 ... 8 AWG Page 153, 155</p>		<p>736 Series</p>  <p>CAGE CLAMP®</p> <p>0.08 ... 2.5 mm² / 28 ... 12* AWG Page 61, 65</p>
<p>255 Series</p>  <p>Ex</p> <p>CAGE CLAMP®</p> <p>0.08 ... 2.5 mm² / 28 ... 12* AWG Page 107 ... 111</p>	<p>256 Series</p>  <p>Ex</p> <p>CAGE CLAMP®</p> <p>0.08 ... 2.5 mm² / 28 ... 12* AWG Page 113 ... 121</p>	<p>257 Series</p>  <p>Ex</p> <p>CAGE CLAMP®</p> <p>0.08 ... 2.5 mm² / 28 ... 12* AWG Page 123 ... 131</p>		<p>255 Series</p>  <p>Ex</p> <p>CAGE CLAMP®</p> <p>0.08 ... 2.5 mm² / 28 ... 12* AWG Page 107 ... 111</p>
<p>235 Series</p>  <p>PUSH-IN CAGE CLAMP®</p> <p>0.5 ... 1.5 mm² / 20 ... 14 AWG Page 181</p>	<p>250 Series</p>  <p>7.5</p> <p>PUSH-IN CAGE CLAMP®</p> <p>0.5 ... 1.5 mm² / 20 ... 14 AWG Page 175</p>	<p>804 Series</p>  <p>7.5</p> <p>PUSH-IN CAGE CLAMP®</p> <p>0.25 ... 2.5 mm² / 22 ... 12 AWG Page 197</p>		<p>235 Series</p>  <p>PUSH-IN CAGE CLAMP®</p> <p>0.5 ... 1.5 mm² / 20 ... 14 AWG Page 181</p>
<p>2706 Series</p>  <p>7.5</p> <p>CAGE CLAMP®</p> <p>0.5 ... 6 mm² / 20 ... 10 AWG Page 133</p>	<p>2706 Series</p>  <p>7.5</p> <p>CAGE CLAMP®</p> <p>0.5 ... 6 mm² / 20 ... 10 AWG Page 135</p>	<p>746 Series</p>  <p>7.5</p> <p>PUSH-IN CAGE CLAMP®</p> <p>2 x 0.5 ... 10 mm² / 2 x 20 ... 8 AWG Page 143</p>		<p>2706 Series</p>  <p>10</p> <p>CAGE CLAMP®</p> <p>0.5 ... 6 mm² / 20 ... 10 AWG Page 135</p>
<p>235 Series</p>  <p>PUSH WIRE®</p> <p>0.5 ... 2.5 mm² / 20 ... 14 AWG*sol.* Page 205</p>	<p>254 Series</p>  <p>PUSH WIRE®</p> <p>0.5 ... 2.5 mm² / 20 ... 12 AWG*sol.* Page 215, 217</p>	<p>Feedthrough terminal strips, 741 Series</p>  <p>CAGE CLAMP®</p> <p>0.08 ... 2.5 mm² / 28 ... 12* AWG Page 789 ... 795</p>		<p>235 Series</p>  <p>PUSH WIRE®</p> <p>0.5 ... 2.5 mm² / 20 ... 14 AWG*sol.* Page 217</p>

10 mm/0.394 inch, 10.16 mm/0.4 inch		11,5 mm/0.453 inch 12,5 mm/0.492 inch		15 mm/0.59 inch		20 mm/0.787 inch	
<p>745 Series</p>  <p>Ex 10</p> <p>CAGE CLAMP® 0.08 ... 4 mm² / 28 ... 12 AWG Page 40</p>		<p>745 Series</p>  <p>Ex</p> <p>CAGE CLAMP® 0.08 ... 4 mm² / 28 ... 12 AWG Page 41</p>		<p>745 Series</p>  <p>Ex</p> <p>CAGE CLAMP® 0.2 ... 6 mm² / 24 ... 10 AWG Page 47</p>		<p>745 Series</p>  <p>Ex</p> <p>CAGE CLAMP® 0.2 ... 16 mm² / 24 ... 6 AWG Page 53, 55</p>	
<p>739 Series</p>  <p>CAGE CLAMP®</p> <p>0.08 ... 2.5 mm² / 28 ... 12* AWG Page 91</p>	<p>2616 Series</p>  <p>10</p> <p>PUSH-IN CAGE CLAMP®</p> <p>0.75 ... 16 mm² / 18 ... 4 AWG Page 211, 213</p>	<p>2604 Series</p>  <p>11,5</p> <p>PUSH-IN CAGE CLAMP®</p> <p>0.2 ... 4 mm² / 24 ... 12 AWG Page 201, 202</p>					
<p>745 Series</p>  <p>Ex 10</p> <p>CAGE CLAMP®</p> <p>0.2 ... 6 mm² / 24 ... 10 AWG Page 49, 51</p>	<p>745 Series</p>  <p>Ex 10</p> <p>CAGE CLAMP®</p> <p>0.2 ... 16 mm² / 24 ... 6 AWG Page 53, 55</p>	<p>745 Series</p>  <p>Ex</p> <p>CAGE CLAMP®</p> <p>0.2 ... 6 mm² / 24 ... 10 AWG Page 47</p>	<p>745 Series</p>  <p>Ex</p> <p>CAGE CLAMP®</p> <p>0.2 ... 16 mm² / 24 ... 6 AWG Page 53, 55</p>				
<p>737 Series</p>  <p>CAGE CLAMP®</p> <p>0.08 ... 2.5 mm² / 28 ... 12* AWG Page 69, 73</p>	<p>2636 Series</p>  <p>10</p> <p>PUSH-IN CAGE CLAMP®</p> <p>0.75 ... 16 mm² / 18 ... 4 AWG Page 159, 161</p>	<p>2624 Series</p>  <p>11,5</p> <p>PUSH-IN CAGE CLAMP®</p> <p>0.2 ... 6 mm² / 24 ... 10 AWG Page 149, 150</p>					
<p>256 Series</p>  <p>Ex</p> <p>CAGE CLAMP®</p> <p>0.08 ... 2.5 mm² / 28 ... 12* AWG Page 113 ... 121</p>	<p>257 Series</p>  <p>Ex</p> <p>CAGE CLAMP®</p> <p>0.08 ... 2.5 mm² / 28 ... 12* AWG Page 123 ... 131</p>			<p>2716 Series</p>  <p>CAGE CLAMP®</p> <p>1.5 ... 16 mm² / 16 ... 6 AWG Page 139</p>			
<p>2716 Series</p>  <p>10</p> <p>CAGE CLAMP®</p> <p>1.5 ... 16 mm² / 16 ... 6 AWG Page 139</p>	<p>2716 Series</p>  <p>10</p> <p>CAGE CLAMP®</p> <p>1.5 ... 16 mm² / 16 ... 6 AWG Page 141</p>			<p>2716 Series</p>  <p>CAGE CLAMP®</p> <p>1.5 ... 16 mm² / 16 ... 6 AWG Page 141</p>			
<p>2706 Series</p>  <p>10</p> <p>CAGE CLAMP®</p> <p>0.5 ... 6 mm² / 20 ... 10 AWG Page 137</p>		<p>2706 Series</p>  <p>CAGE CLAMP®</p> <p>0.5 ... 6 mm² / 20 ... 10 AWG Page 135</p>					
<p>254 Series</p>  <p>PUSH WIRE®</p> <p>0.5 ... 2.5 mm² / 20 ... 12 AWG *sol.* Page 227, 229</p>	<p>Feedthrough terminal strips, 741 Series</p>  <p>CAGE CLAMP®</p> <p>0.08 ... 2.5 mm² / 28 ... 12* AWG Page 819 ... 825</p>						

10 Only available in this pin spacing!

*AWG 12: THHN, THWN

MCS – MULTI CONNECTION SYSTEM


– Product Overview by Pin Spacing –

2.5 mm/0.098 inch MICRO*	3.5 mm/0.138 inch, 3.81 mm/0.15 inch MINI*			3.5 mm/0.138 inch MINI HD*
<p>Female connectors, 733 Series</p>  <p>CAGE CLAMP®</p> <p>0.08 ... 0.5 mm² / 28 ... 20 AWG Page 341</p>	<p>Female connectors, 734 Series</p>  <p>CAGE CLAMP®</p> <p>0.08 ... 1.5 mm² / 28 ... 14 AWG Page 361, 391</p>	<p>Female connectors with locking levers, 734 Series</p>  <p>CAGE CLAMP®</p> <p>0.08 ... 1.5 mm² / 28 ... 14 AWG Page 361, 391</p>	<p>Female connectors with screw flanges, 734 Series</p>  <p>CAGE CLAMP®</p> <p>0.08 ... 1.5 mm² / 28 ... 14 AWG Page 361</p>	<p>Female connectors, 713 Series</p>  <p>CAGE CLAMP®</p> <p>0.08 ... 1.5 mm² / 28 ... 16 AWG Page 429</p>
<p>Female connectors with locking levers, 733 Series</p>  <p>CAGE CLAMP®</p> <p>0.08 ... 0.5 mm² / 28 ... 20 AWG Page 341</p>	<p>Female connectors with snap-in mounting feet, 734 Series</p>  <p>CAGE CLAMP®</p> <p>0.08 ... 1.5 mm² / 28 ... 14 AWG Page 362, 392</p>	<p>Female connectors with push-buttons, 2734 Series</p>  <p>PUSH-IN CAGE CLAMP®</p> <p>0.2 ... 1.5 mm² / 24 ... 14 AWG Page 365, 395</p>	<p>Female connectors with push-buttons and locking levers, 2734 Series</p>  <p>PUSH-IN CAGE CLAMP®</p> <p>0.2 ... 1.5 mm² / 24 ... 14 AWG Page 365, 395</p>	<p>Female connectors with levers, 713 Series</p>  <p>CAGE CLAMP®</p> <p>0.08 ... 1.5 mm² / 28 ... 16 AWG Page 429</p>
<p>Male headers with solder pins, 733 Series</p>  <p>Page 345</p>	<p>Female connectors with push-buttons and mounting flanges, 2734 Series</p>  <p>PUSH-IN CAGE CLAMP®</p> <p>0.2 ... 1.5 mm² / 24 ... 14 AWG Page 366, 395</p>	<p>Female connectors with push-buttons and screw flanges, 2734 Series</p>  <p>PUSH-IN CAGE CLAMP®</p> <p>0.2 ... 1.5 mm² / 24 ... 14 AWG Page 365</p>		<p>Female connectors with screw flanges, 713 Series</p>  <p>CAGE CLAMP®</p> <p>0.08 ... 1.5 mm² / 28 ... 16 AWG Page 429</p>
	<p>Male headers with solder pins, 734 Series</p>  <p>Page 381, 407</p>	<p>Male headers with solder pins and threaded flanges, 734 Series</p>  <p>3.5</p> <p>Page 382</p>		<p>Male headers with solder pins, 713 Series</p>  <p>THR</p> <p>Page 431, (THR: Page 437)</p>
<p>Male headers with solder pins, 733 Series</p>  <p>THR</p> <p>Page 349</p>	<p>Double-deck male headers with solder pins, 734 Series</p>  <p>Page 381, 407</p>	<p>Male headers with solder pins, 734 Series</p>  <p>THR</p> <p>Page 387, 411</p>		<p>Male headers with solder pins and levers, 713 Series</p>  <p>THR</p> <p>Page 431, (THR: Page 437)</p>
<p>Male connectors 733 Series</p>  <p>CAGE CLAMP®</p> <p>0.08 ... 0.5 mm² / 28 ... 20 AWG Page 331</p>	<p>Male connectors 734 Series</p>  <p>CAGE CLAMP®</p> <p>0.08 ... 1.5 mm² / 28 ... 14 AWG Page 357, 387</p>	<p>Male connectors with mounting flanges, 734 Series</p>  <p>CAGE CLAMP®</p> <p>0.08 ... 1.5 mm² / 28 ... 14 AWG Page 357, 387</p>	<p>Male connectors with threaded flanges, 734 Series</p>  <p>CAGE CLAMP®</p> <p>0.08 ... 1.5 mm² / 28 ... 14 AWG Page 357</p>	<p>Male headers with solder pins and threaded flanges, 713 Series</p>  <p>THR</p> <p>Page 419 (THR: Page 427)</p>
	<p>Male connectors with snap-in mounting feet, 734 Series</p>  <p>CAGE CLAMP®</p> <p>0.08 ... 1.5 mm² / 28 ... 14 AWG Page 370, 400</p>	<p>Female headers with solder pins, 734 Series</p>  <p>Page 377, 403</p>	<p>Female headers with solder pins and locking levers, 734 Series</p>  <p>Page 377, 403</p>	
	<p>Combi strips, 734 Series</p>  <p>CAGE CLAMP®</p> <p>0.08 ... 1.5 mm² / 28 ... 14 AWG Page 373</p>	<p>Combi strips with snap-in mounting feet, 734 Series</p>  <p>CAGE CLAMP®</p> <p>0.08 ... 1.5 mm² / 28 ... 14 AWG Page 374</p>		

THR Through-Hole Reflow Soldering

● Only available in this pin spacing!

*100 % protected against mismating

3.5 mm/0.138 inch MINI SL
<p>Female connectors, 714 Series</p>  <p style="text-align: center;"><small>PUSH-IN CAGE CLAMP®</small></p> <p>0.2 ... 1.5 mm² / 24 ... 16 AWG Page 453</p>
<p>Male headers with solder pins, 714 Series</p>  <p>Page 455</p>



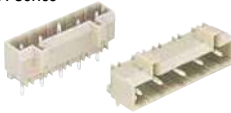


5 mm/0.197 inch MIDI*			
<p>Female connectors, 721 Series</p>  <p style="text-align: center;"><small>CAGE CLAMP®</small></p> <p>0.08 ... 2.5 mm² / 28 ... 12 AWG Page 463</p>	<p>Female connectors with locking levers, 721 Series</p>  <p style="text-align: center;"><small>CAGE CLAMP®</small></p> <p>0.08 ... 2.5 mm² / 28 ... 12 AWG Page 463</p>	<p>Female connectors with mounting flanges, 721 Series</p>  <p style="text-align: center;"><small>CAGE CLAMP®</small></p> <p>0.08 ... 2.5 mm² / 28 ... 12 AWG Page 463, 464</p>	<p>Female connectors with snap-in mounting feet, 721 Series</p>  <p style="text-align: center;"><small>CAGE CLAMP®</small></p> <p>0.08 ... 2.5 mm² / 28 ... 12 AWG Page 464</p>
<p>Angled female connectors, 722 Series</p>  <p style="text-align: center;"><small>CAGE CLAMP®</small></p> <p>0.08 ... 2.5 mm² / 28 ... 12 AWG Page 467</p>	<p>Female connectors with flanges for panel mounting, 721 Series</p>  <p style="text-align: center;"><small>CAGE CLAMP®</small></p> <p>0.08 ... 2.5 mm² / 28 ... 12 AWG Page 469</p>	<p>Female connectors with snap-in feet for panel mounting, 721 Series</p>  <p style="text-align: center;"><small>CAGE CLAMP®</small></p> <p>0.08 ... 2.5 mm² / 28 ... 12 AWG Page 469</p>	
<p>Female connectors with push-buttons, 2721 Series</p>  <p style="text-align: center;"><small>PUSH-IN CAGE CLAMP®</small></p> <p>0.2 ... 2.5 mm² / 24 ... 12 AWG Page 473</p>	<p>Female connectors with push-buttons and snap-in mounting feet, 2721 Series</p>  <p style="text-align: center;"><small>PUSH-IN CAGE CLAMP®</small></p> <p>0.2 ... 2.5 mm² / 24 ... 12 AWG Page 474</p>	<p>Female connectors with push-buttons and locking levers, 2721 Series</p>  <p style="text-align: center;"><small>PUSH-IN CAGE CLAMP®</small></p> <p>0.2 ... 2.5 mm² / 24 ... 12 AWG Page 473</p>	<p>Female connectors with push-buttons and mounting flanges, 2721 Series</p>  <p style="text-align: center;"><small>PUSH-IN CAGE CLAMP®</small></p> <p>0.2 ... 2.5 mm² / 24 ... 12 AWG Page 473</p>
<p>2-conductor female connectors, 721 Series</p>  <p style="text-align: center;"><small>PUSH-IN CAGE CLAMP®</small></p> <p>0.2 ... 2.5 mm² / 24 ... 12 AWG Page 471</p>	<p>2-conductor female connectors with locking levers, 721 Series</p>  <p style="text-align: center;"><small>PUSH-IN CAGE CLAMP®</small></p> <p>0.2 ... 2.5 mm² / 24 ... 12 AWG Page 471</p>		
<p>Male headers with solder pins, 721 Series</p>  <p>Page 491 ... 497</p>			
<p>Male connectors, 721 Series</p>  <p style="text-align: center;"><small>CAGE CLAMP®</small></p> <p>0.08 ... 2.5 mm² / 28 ... 12 AWG Page 477, 481</p>	<p>Male connectors with snap-in mounting feet, 721 Series</p>  <p style="text-align: center;"><small>CAGE CLAMP®</small></p> <p>0.08 ... 2.5 mm² / 28 ... 12 AWG Page 478, 482</p>	<p>Male connectors with mounting flanges, 721 Series</p>  <p style="text-align: center;"><small>CAGE CLAMP®</small></p> <p>0.08 ... 2.5 mm² / 28 ... 12* AWG Page 477, 481</p>	<p>Male connectors with snap-in flanges, 721 Series</p>  <p style="text-align: center;"><small>CAGE CLAMP®</small></p> <p>0.08 ... 2.5 mm² / 28 ... 12 AWG Page 477, 481</p>
<p>Female headers with solder pins, 722 Series</p>  <p>Page 485</p>	<p>Female headers with solder pins and locking levers, 722 Series</p>  <p>Page 485</p>	<p>Female headers with solder pins and mounting flanges, 722 Series</p>  <p>Page 487</p>	<p>Female headers with solder pins and spacers, 722 Series</p>  <p>Page 488</p>
<p>Male connectors for rail-mount terminal blocks, 721 Series</p>  <p>Page 503</p>	<p>Female connectors for rail-mount terminal blocks, 722 Series</p>  <p>Page 499</p>	<p>Female connectors with locking levers, for rail-mount terminal blocks, 722 Series</p>  <p>Page 499</p>	

MCS – MULTI CONNECTION SYSTEM

– Product Overview by Pin Spacing –

5 mm/0.197 inch, 5.08 mm/0.2 inch MIDI Classic				
<p>Female connectors, 231 Series</p>  <p>CAGE CLAMP®</p> <p>0.08 ... 2.5 mm² / 28 ... 12 AWG Page 561, 615</p>	<p>Female connectors with integrated end plate, 231 Series</p>  <p>CAGE CLAMP®</p> <p>0.08 ... 2.5 mm² / 28 ... 12 AWG Page 561, 615</p>	<p>Female connectors with snap-in mounting feet, 231 Series</p>  <p>CAGE CLAMP®</p> <p>0.08 ... 2.5 mm² / 28 ... 12 AWG Page 563, 619</p>	<p>Female connectors with locking levers, 231 Series</p>  <p>CAGE CLAMP®</p> <p>0.08 ... 2.5 mm² / 28 ... 12 AWG Page 562, 616</p>	<p>Female connectors with mounting flanges, 231 Series</p>  <p>CAGE CLAMP®</p> <p>0.08 ... 2.5 mm² / 28 ... 12 AWG Page 562, 617</p>
<p>Angled female connectors, 232 Series</p>  <p>CAGE CLAMP®</p> <p>0.08 ... 2.5 mm² / 28 ... 12 AWG Page 565, 621</p>	<p>Female connectors with screw flanges, 231 Series</p>  <p>CAGE CLAMP® 5.08</p> <p>0.08 ... 2.5 mm² / 28 ... 12 AWG Page 616</p>	<p>Female connectors with flanges for panel mounting, 731 Series</p>  <p>CAGE CLAMP® 5</p> <p>0.08 ... 2.5 mm² / 28 ... 12 AWG Page 567</p>	<p>Female connectors with snap-in feet for panel mounting, 731 Series</p>  <p>CAGE CLAMP® 5</p> <p>0.08 ... 2.5 mm² / 28 ... 12 AWG Page 568</p>	
<p>Female connectors with push-buttons, 2231 Series</p>  <p>PUSH-IN CAGE CLAMP®</p> <p>0.2 ... 2.5 mm² / 24 ... 12 AWG Page 573, 627</p>	<p>Female connectors with push-buttons and integrated end plate, 2231 Series</p>  <p>PUSH-IN CAGE CLAMP®</p> <p>0.2 ... 2.5 mm² / 24 ... 12 AWG Page 573, 627</p>	<p>Female connectors with push-buttons and snap-in mounting feet, 2231 Series</p>  <p>PUSH-IN CAGE CLAMP®</p> <p>0.2 ... 2.5 mm² / 24 ... 12 AWG Page 574, 628</p>	<p>Female connectors with push-buttons and locking levers, 2231 Series</p>  <p>PUSH-IN CAGE CLAMP®</p> <p>0.2 ... 2.5 mm² / 24 ... 12 AWG Page 574, 627</p>	<p>Female connectors with push-buttons and mounting flanges, 2231 Series</p>  <p>PUSH-IN CAGE CLAMP®</p> <p>0.2 ... 2.5 mm² / 24 ... 12 AWG Page 574, 628</p>
<p>Female connectors with push-buttons and screw flanges, 2231 Series</p>  <p>PUSH-IN CAGE CLAMP® 5.08</p> <p>0.2 ... 2.5 mm² / 24 ... 12 AWG Page 628</p>	<p>2-conductor female connectors, 231 Series</p>  <p>PUSH-IN CAGE CLAMP®</p> <p>0.2 ... 2.5 mm² / 24 ... 12 AWG Page 571, 623</p>	<p>2-conductor female connectors with locking levers, 231 Series</p>  <p>PUSH-IN CAGE CLAMP®</p> <p>0.2 ... 2.5 mm² / 24 ... 12 AWG Page 571, 623</p>	<p>2-conductor female connectors with screw flanges, 231 Series</p>  <p>PUSH-IN CAGE CLAMP® 5.08</p> <p>0.2 ... 2.5 mm² / 24 ... 12 AWG Page 623</p>	
<p>Male headers with solder pins, 231 Series</p>  <p>Page 587, 641</p>	<p>Male headers with solder pins and mounting flanges, 231 Series</p>  <p>CAGE CLAMP® 5</p> <p>Page 587</p>	<p>Male headers with solder pins and threaded flanges, 231 Series</p>  <p>CAGE CLAMP® 5.08</p> <p>Page 641</p>	<p>Male headers for double-deck assembly, 232 Series</p>  <p>Page 591, 645</p>	<p>Male headers with solder pins, 231 Series</p>  <p>THR 5</p> <p>Page 599 ... 604</p>
<p>Male connectors, 231 Series</p>  <p>CAGE CLAMP®</p> <p>0.08 ... 2.5 mm² / 28 ... 12 AWG Page 577, 631</p>	<p>Male connectors with snap-in mounting feet, 231 Series</p>  <p>CAGE CLAMP®</p> <p>0.08 ... 2.5 mm² / 28 ... 12 AWG Page 567, 633</p>	<p>Male connectors with mounting flanges, 231 Series</p>  <p>CAGE CLAMP®</p> <p>0.08 ... 2.5 mm² / 28 ... 12 AWG Page 579, 631</p>	<p>Male connectors with snap-in flanges, 231 Series</p>  <p>CAGE CLAMP®</p> <p>0.08 ... 2.5 mm² / 28 ... 12 AWG Page 578, 632</p>	<p>Male connectors with threaded flanges, 231 Series</p>  <p>CAGE CLAMP® 5.08</p> <p>0.08 ... 2.5 mm² / 28 ... 12 AWG Page 631</p>
<p>Male connectors with snap-in and threaded flanges, 231 Series</p>  <p>CAGE CLAMP® 5.08</p> <p>0.08 ... 2.5 mm² / 28 ... 12 AWG Page 633</p>	<p>Double-pin male connectors for DIN-35 rail mounting, 232 Series</p>  <p>Page 607, 651</p>		<p>Female headers with solder pins, 232 Series</p>  <p>Page 581, 635</p>	<p>Female headers with solder pins and locking levers, 232 Series</p>  <p>Page 581, 635</p>
<p>Female headers with solder pins and mounting flanges, 232 Series</p>  <p>Page 583, 637</p>	<p>Female headers with solder pins and spacers, 232 Series</p>  <p>Page 584, 638</p>	<p>Male connectors for rail-mount terminal blocks, 231 Series</p>  <p>CAGE CLAMP® 5</p> <p>Page 613</p>	<p>Female connectors for rail-mount terminal blocks, 232 Series</p>  <p>CAGE CLAMP® 5</p> <p>Page 609</p>	<p>Female connectors with locking levers, for rail-mount terminal blocks, 232 Series</p>  <p>CAGE CLAMP® 5</p> <p>Page 609</p>









THR Through-Hole Reflow Soldering **5.08** Only available in this pin spacing!

7.5 mm/0.295 inch MIDI*		
<p>Female connectors, 721 Series</p>  <p><i>CAGE CLAMP®</i></p>	<p>Female connectors with snap-in mounting feet, 721 Series</p>  <p><i>CAGE CLAMP®</i></p>	<p>Female connectors with locking levers, 721 Series</p>  <p><i>CAGE CLAMP®</i></p>
0.08 ... 2.5 mm ² / 28 ... 12 AWG Page 505	0.08 ... 2.5 mm ² / 28 ... 12 AWG Page 506	0.08 ... 2.5 mm ² / 28 ... 12 AWG Page 505
<p>Female connectors with mounting flanges, 721 Series</p>  <p><i>CAGE CLAMP®</i></p>	<p>Female connectors with flanges for panel mounting, 721 Series</p>  <p><i>CAGE CLAMP®</i></p>	<p>Female connectors with snap-in feet for panel mounting, 721 Series</p>  <p><i>CAGE CLAMP®</i></p>
0.08 ... 2.5 mm ² / 28 ... 12 AWG Page 505	0.08 ... 2.5 mm ² / 28 ... 12 AWG Page 509	0.08 ... 2.5 mm ² / 28 ... 12 AWG Page 509
<p>Female connectors with push-buttons, 2721 Series</p>  <p><i>PUSH-IN CAGE CLAMP®</i></p>	<p>Female connectors with push-buttons and snap-in mounting feet, 2721 Series</p>  <p><i>PUSH-IN CAGE CLAMP®</i></p>	<p>Female connectors with push-buttons and locking levers, 2721 Series</p>  <p><i>PUSH-IN CAGE CLAMP®</i></p>
0.2 ... 2.5 mm ² / 24 ... 12 AWG Page 513	0.2 ... 2.5 mm ² / 24 ... 12 AWG Page 514	0.2 ... 2.5 mm ² / 24 ... 12 AWG Page 513
<p>Female connectors with push-buttons and mounting flanges, 2721 Series</p>  <p><i>PUSH-IN CAGE CLAMP®</i></p>	<p>2-conductor female connectors, 721 Series</p>  <p><i>PUSH-IN CAGE CLAMP®</i></p>	<p>2-conductor female connectors with locking levers, 721 Series</p>  <p><i>PUSH-IN CAGE CLAMP®</i></p>
0.2 ... 2.5 mm ² / 24 ... 12 AWG Page 513	0.2 ... 2.5 mm ² / 24 ... 12 AWG Page 511	0.2 ... 2.5 mm ² / 24 ... 12 AWG Page 511
<p>Male headers with solder pins, 721 Series</p> 		
Page 531 ... 537		
<p>Male connectors, 723 Series</p>  <p><i>CAGE CLAMP®</i></p>	<p>Male connectors with snap-in mounting feet, 723 Series</p>  <p><i>CAGE CLAMP®</i></p>	<p>Male connectors with mounting flanges, 723 Series</p>  <p><i>CAGE CLAMP®</i></p>
0.08 ... 2.5 mm ² / 28 ... 12 AWG Page 517, 521	0.08 ... 2.5 mm ² / 28 ... 12 AWG Page 518, 522	0.08 ... 2.5 mm ² / 28 ... 12 AWG Page 517, 521
<p>Male connectors with snap-in flanges, 723 Series</p>  <p><i>CAGE CLAMP®</i></p>		<p>Female headers with solder pins, 722 Series</p> 
0.08 ... 2.5 mm ² / 28 ... 12 AWG Page 517, 521		Page 525
<p>Female headers with solder pins and locking levers, 722 Series</p> 	<p>Female headers with solder pins and mounting flanges, 722 Series</p> 	<p>Female headers with solder pins and spacers, 722 Series</p> 
Page 525	Page 527	Page 528












*100 % protected against mismatching










MCS – MULTI CONNECTION SYSTEM

– Product Overview by Pin Spacing –

7.5 mm/0.295 inch, 7.62 mm/0.3 inch MIDI Classic		
<p>Female connectors, 231 Series</p>  <p>CAGE CLAMP®</p> <p>0.08 ... 2.5 mm² / 28 ... 12 AWG Page 653, 697</p>	<p>Female connectors with snap-in mounting feet, 231 Series</p>  <p>CAGE CLAMP®</p> <p>0.08 ... 2.5 mm² / 28 ... 12 AWG Page 654, 698</p>	<p>Female connectors with locking levers, 231 Series</p>  <p>CAGE CLAMP®</p> <p>0.08 ... 2.5 mm² / 28 ... 12 AWG Page 653, 697</p>
<p>Female connectors with mounting flanges, 231 Series</p>  <p>CAGE CLAMP®</p> <p>0.08 ... 2.5 mm² / 28 ... 12 AWG Page 653, 697</p>	<p>Angled female connectors, 732 Series</p>  <p>CAGE CLAMP®</p> <p>0.08 ... 2.5 mm² / 28 ... 12 AWG Page 657, 701</p>	<p>Female connectors with flanges or snap-in feet for panel mounting, 731 Series</p>  <p>CAGE CLAMP®</p> <p>0.08 ... 2.5 mm² / 28 ... 12 AWG Page 659</p>
<p>Female connectors with push-buttons, 2231 Series</p>  <p>PUSH-IN CAGE CLAMP®</p> <p>0.2 ... 2.5 mm² / 24 ... 12 AWG Page 665, 705</p>	<p>Female connectors with push-buttons and snap-in mounting feet, 2231 Series</p>  <p>PUSH-IN CAGE CLAMP®</p> <p>0.2 ... 2.5 mm² / 24 ... 12 AWG Page 667, 706</p>	<p>Female connectors with push-buttons and locking levers, 2231 Series</p>  <p>PUSH-IN CAGE CLAMP®</p> <p>0.2 ... 2.5 mm² / 24 ... 12 AWG Page 665, 705</p>
<p>Female connectors with push-buttons and mounting flanges, 2231 Series</p>  <p>PUSH-IN CAGE CLAMP®</p> <p>0.2 ... 2.5 mm² / 24 ... 12 AWG Page 665, 705</p>	<p>2-conductor female connectors, 231 Series</p>  <p>PUSH-IN CAGE CLAMP®</p> <p>0.2 ... 2.5 mm² / 24 ... 12 AWG Page 663, 703</p>	<p>2-conductor female connectors with locking levers, 231 Series</p>  <p>PUSH-IN CAGE CLAMP®</p> <p>0.2 ... 2.5 mm² / 24 ... 12 AWG Page 664, 703</p>
<p>Male headers with solder pins, 231 Series</p> 	<p>Male headers with solder pins and mounting flanges, 231 Series</p>  <p>7.5</p>	<p>Male headers with solder pins, 231 Series</p>  <p>THR 7.5</p>
Page 679, 719	Page 679	Page 687 ... 692
<p>Male connectors, 731 Series</p>  <p>CAGE CLAMP®</p> <p>0.08 ... 2.5 mm² / 28 ... 12 AWG Page 669, 709</p>	<p>Male connectors with snap-in mounting feet, 731 Series</p>  <p>CAGE CLAMP®</p> <p>0.08 ... 2.5 mm² / 28 ... 12 AWG Page 670, 711</p>	<p>Male connectors with mounting flanges, 731 Series</p>  <p>CAGE CLAMP®</p> <p>0.08 ... 2.5 mm² / 28 ... 12 AWG Page 669, 709</p>
<p>Male connectors with snap-in flanges, 731 Series</p>  <p>CAGE CLAMP®</p> <p>0.08 ... 2.5 mm² / 28 ... 12 AWG Page 670, 710</p>	<p>Double-pin male connectors for DIN-35 rail mounting, 232 Series</p>  <p>Page 695, 723</p>	<p>Female headers with solder pins, 232 Series</p>  <p>Page 673, 713</p>
<p>Female headers with solder pins and locking levers, 232 Series</p>  <p>Page 673, 713</p>	<p>Female headers with solder pins and mounting flanges, 232 Series</p>  <p>Page 675, 715</p>	<p>Female headers with solder pins and spacers, 232 Series</p>  <p>Page 676, 716</p>

THR Through-Hole Reflow Soldering **7.5** Only available in this pin spacing!

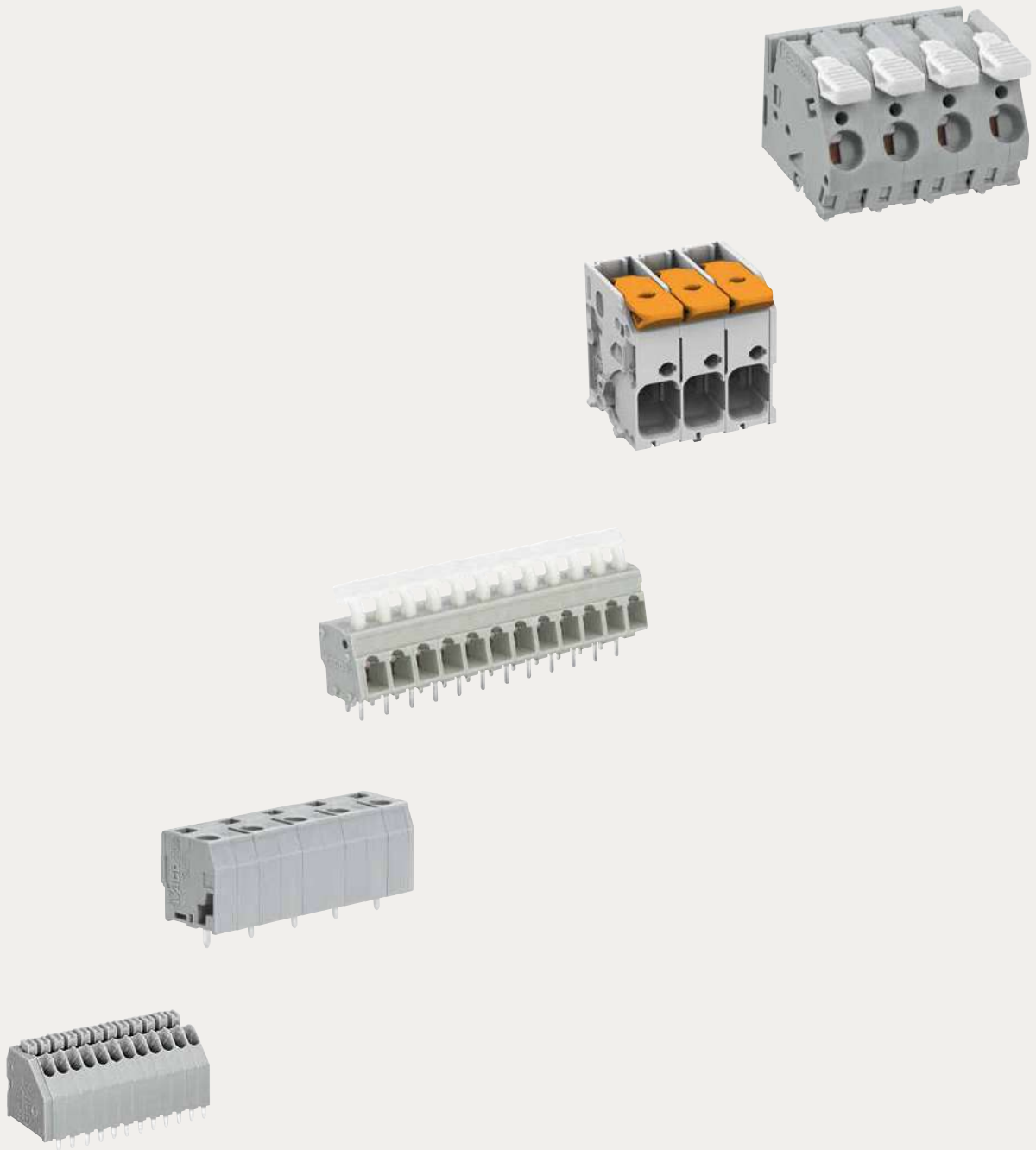
7.62 mm/0.3 inch MAXI 6*	
<p>Female connectors, 831 Series</p>  <p>PUSH-IN CAGE CLAMP®</p> <p>0.5 ... 10 mm² / 20 ... 8 AWG Page 753</p>	<p>Female connectors with levers, 831 Series</p>  <p>PUSH-IN CAGE CLAMP®</p> <p>0.5 ... 10 mm² / 20 ... 8 AWG Page 755</p>
<p>Female connectors with locking levers, 831 Series</p>  <p>PUSH-IN CAGE CLAMP®</p> <p>0.5 ... 10 mm² / 20 ... 8 AWG Page 753</p>	<p>Female connectors with levers and locking levers, 831 Series</p>  <p>PUSH-IN CAGE CLAMP®</p> <p>0.5 ... 10 mm² / 20 ... 8 AWG Page 755, 756</p>
<p>Female connectors with screw flanges, 831 Series</p>  <p>PUSH-IN CAGE CLAMP®</p> <p>0.5 ... 10 mm² / 20 ... 8 AWG Page 753</p>	<p>Female connectors with levers, for DIN-35 rail mounting, 831 Series</p>  <p>PUSH-IN CAGE CLAMP®</p> <p>0.5 ... 10 mm² / 20 ... 8 AWG Page 756</p>
<p>Female headers with solder pins, 831 Series</p>  <p>Page 763</p>	<p>Female connectors with levers and locking levers, for DIN-35 rail mounting, 831 Series</p>  <p>PUSH-IN CAGE CLAMP®</p> <p>0.5 ... 10 mm² / 20 ... 8 AWG Page 756</p>
<p>Male headers with solder pins, 831 Series</p>  <p>Page 765</p>	<p>Male headers with solder pins and threaded flanges, 831 Series</p>  <p>Page 766</p>
<p>Male connectors, 831 Series</p>  <p>PUSH-IN CAGE CLAMP®</p> <p>0.5 ... 10 mm² / 20 ... 8 AWG Page 759</p>	<p>Male connectors with levers, 831 Series</p>  <p>PUSH-IN CAGE CLAMP®</p> <p>0.5 ... 10 mm² / 20 ... 8 AWG Page 761</p>
<p>Male connectors with threaded flanges, 231 Series</p>  <p>PUSH-IN CAGE CLAMP®</p> <p>0.5 ... 10 mm² / 20 ... 8 AWG Page 743</p>	<p>Male connectors with levers, for DIN-35 rail mounting, 831 Series</p>  <p>PUSH-IN CAGE CLAMP®</p> <p>0.5 ... 10 mm² / 20 ... 8 AWG Page 761</p>
<p>Male connectors for DIN-35 rail mounting, 831 Series</p>  <p>PUSH-IN CAGE CLAMP®</p> <p>0.5 ... 10 mm² / 20 ... 8 AWG Page 743</p>	

10.16 mm/0.4 inch MAXI 16*	
<p>Male connectors with levers, 832 Series</p>  <p>PUSH-IN CAGE CLAMP®</p> <p>0.75 ... 16 mm² / 18 ... 4 AWG Page 769</p>	<p>Female connectors with levers and locking levers, 832 Series</p>  <p>PUSH-IN CAGE CLAMP®</p> <p>0.75 ... 16 mm² / 18 ... 4 AWG Page 769</p>
<p>Female connectors with levers and center locking lever, 832 Series</p>  <p>PUSH-IN CAGE CLAMP®</p> <p>0.75 ... 16 mm² / 18 ... 4 AWG Page 769</p>	<p>Female connectors with levers and center locking lever with strain relief plate, 832 Series</p>  <p>PUSH-IN CAGE CLAMP®</p> <p>0.75 ... 16 mm² / 18 ... 4 AWG Page 770</p>
<p>Female connectors with levers, for DIN-35 rail mounting, 832 Series</p>  <p>PUSH-IN CAGE CLAMP®</p> <p>0.75 ... 16 mm² / 18 ... 4 AWG Page 770</p>	<p>Female connectors with levers and locking levers, for DIN-35 rail mounting, 832 Series</p>  <p>PUSH-IN CAGE CLAMP®</p> <p>0.75 ... 16 mm² / 18 ... 4 AWG Page 770</p>
<p>Male headers with solder pins, 832 Series</p>  <p>Page 775</p>	
<p>Male connectors with levers, 832 Series</p>  <p>PUSH-IN CAGE CLAMP®</p> <p>0.75 ... 16 mm² / 18 ... 4 AWG Page 773</p>	<p>Male connectors with levers, for DIN-35 rail mounting, 832 Series</p>  <p>PUSH-IN CAGE CLAMP®</p> <p>0.75 ... 16 mm² / 18 ... 4 AWG Page 773</p>

*100 % protected against mismatching












Connectors for:

3.5 mm/0.138 inch	5 mm/0.197 inch, 5.75 mm/0.23 inch	Specialty Applications	KNX/EIB Applications
<p>2-conductor compact PCB connectors, 252 Series</p>  <p>PUSH WIRE®</p> <p>2 x 0.4 ... 0.8 mm Ø / 2 x 26 ... 20 AWG Page 791 "sol."</p>	<p>2-conductor PCB connector strips (pinstrip pluggable), 806 Series</p>  <p>PUSH-IN CAGE CLAMP®</p> <p>2 x 0.2 ... 1.5 mm² / 2 x 24 ... 16 AWG Page 795</p>	<p>Wire-tap branch connectors, 730 Series</p>  <p>IDC CAGE CLAMP®</p> <p>0.75 ... 1.5 mm² / 18 ... 16 AWG Page 839</p>	<p>Connectors for bus coupler units, 243 Series</p>  <p>PUSH WIRE®</p> <p>4 x 0.6 ... 0.8 mm Ø / 22 ... 20 AWG Page 847 "sol."</p>
<p>2-conductor compact PCB connectors, 252 Series</p>  <p>PUSH WIRE®</p> <p>2 x 0.4 ... 0.8 mm Ø / 2 x 26 ... 20 AWG Page 792 "sol."</p>	<p>4-conductor modular PCB connectors, 243 Series</p>  <p>PUSH WIRE®</p> <p>4 x 0.4 ... 0.8 mm Ø / 4 x 24 ... 18 AWG Page 797 "sol."</p>		



WAGO PCB Terminal Blocks

WAGO PCB Terminal Blocks

	Nominal Cross-Section	Series	Page
	PCB Terminal Blocks ▶ Actuation type: Operating tool ▶ CAGE CLAMP®	0.5 mm ²	233 20
		2.5 mm ²	236 22
		4; 6; 16 mm ²	745 36
		2.5 mm ²	736 58
		2.5 mm ²	737 66
		2.5 mm ²	738 74
		1.5; 2.5 mm ²	739 78
	PCB Terminal Blocks ▶ Actuation type: Push-button, Locking slide, Lever ▶ CAGE CLAMP®	0.5 mm ²	218 96
		0.5 mm ²	233 100
		0.5 mm ²	234 102
		2.5 mm ²	255 106
		2.5 mm ²	256 112
		2.5 mm ²	257 122
		6 mm ²	2706 134
	2-Conductor PCB Terminal Blocks ▶ Actuation type: Operating tool ▶ Push-in CAGE CLAMP®	1.5 mm ²	816 142
		10 mm ²	746 144
	PCB Terminal Blocks ▶ Actuation type: Operating tool ▶ Push-in CAGE CLAMP®	6 mm ²	2624 146
		10 mm ²	2626 152
		16 mm ²	2636 158
	PCB Terminal Blocks ▶ Actuation type: Push-button, Lever ▶ Push-in CAGE CLAMP®	0.5; 1.5 mm ²	250 166
		0.75; 1.5 mm ²	235 180
		1.5 mm ²	805 190
		2.5 mm ²	804 196
		4 mm ²	2604 198
		10 mm ²	2606 204
	PCB Terminal Blocks ▶ Actuation type: Operating tool ▶ PUSH WIRE®	1.5; 2.5 mm ²	235 216
		2.5 mm ²	254 226
		1.5 mm ²	744 230
	PCB Terminal Blocks ▶ Actuation type: Push-button ▶ PUSH WIRE®	1.5 mm ²	735 234
	2-conductor PCB Terminal Blocks ▶ Actuation type: Operating tool ▶ PUSH WIRE®	1.5 mm ²	253 242
	PCB Terminal Blocks ▶ Actuation type: Operating tool ▶ PUSH WIRE® ▶ IDC-Anschluss	1.5 mm ²	251
	Modular PCB Disconnect/Test Terminal Blocks ▶ Actuation type: Operating tool ▶ CAGE CLAMP®	2.5 mm ²	742 246
	Modular PCB Fuse Terminal Blocks ▶ Actuation type: Operating tool ▶ CAGE CLAMP®	2.5 mm ²	742 254
	Accessories for PCB Terminal Blocks		258
	Accessories and Tools		861

233 and 236 Series Description and Installation

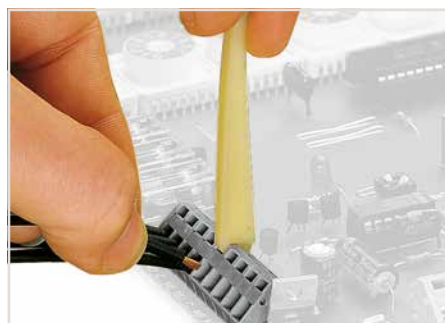
1



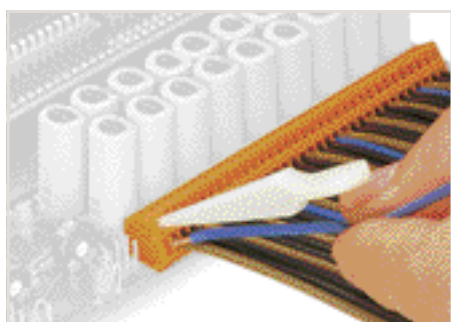
Inserting a conductor via 3.5 mm screwdriver. Screwdriver actuation parallel to conductor entry.



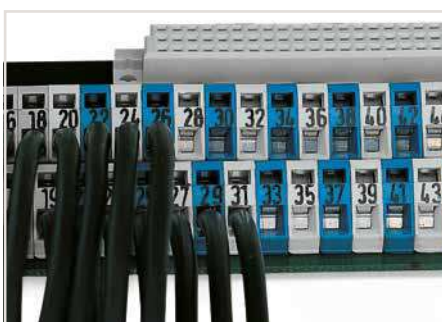
Inserting a conductor via 3.5 mm screwdriver. Screwdriver actuation perpendicular to conductor entry.



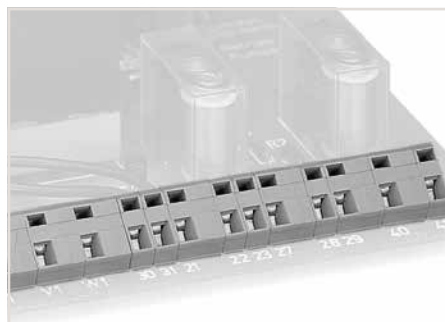
Inserting a conductor via operating tool.



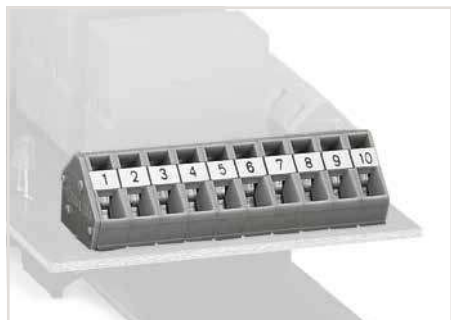
Inserting a conductor via 233-332 Operating Tool. Operation is performed parallel to conductor entry.



PCB Terminal Strips placed behind each other save space – staggering them by half the pin spacing simplifies subsequent wiring of the first row.



Combining PCB terminal blocks with different pin spacing.



Labeling with self-adhesive marking strips.



Labeling via factory direct marking.

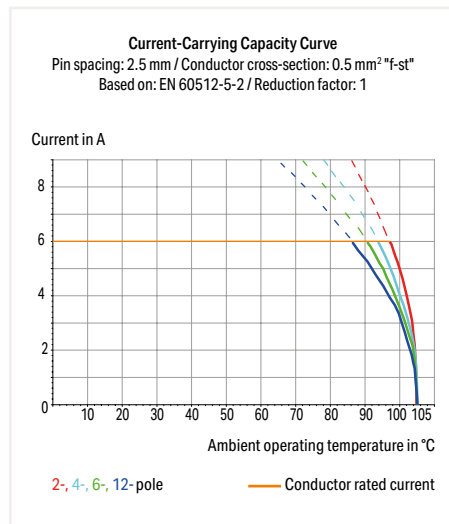
PCB terminal block ▶ 233 Series

CAGE CLAMP® ▶ Actuation type: Operating tool ▶ 0.5 mm²

1



- Compact terminal strips with CAGE CLAMP® connection and screwdriver actuation parallel or perpendicular to conductor entry
- Double solder pins for high mechanical stability
- Custom color combinations

**Electrical Data**

Pin spacing	2.54 mm / 0.1 inch; 2.5 mm / 0.098 inch		
Ratings per	IEC/EN 60664-1		
Overvoltage category	III	III	II
Pollution degree	3	2	2
Rated voltage	63 V	160 V	320 V
Rated impulse voltage	2.5 kV	2.5 kV	2.5 kV
Rated current	6 A	6 A	6 A
Approbations per	UL 1059		
Use group	B	C	D
Rated voltage	150 V	-	-
Rated current	4 A	-	-
Approbations per	CSA		
Use group	B	C	D
Rated voltage	150 V	-	-
Rated current	4 A	-	-

Connection Data

Connection technology	CAGE CLAMP®
Strip length	5 ... 6 mm / 0.2 ... 0.24 inch
Conductor connection direction to PCB	30°
Solid conductor	0.08 ... 0.5 mm ² / 28 ... 20 AWG
Fine-stranded conductor	0.08 ... 0.5 mm ² / 28 ... 20 AWG
Fine-stranded conductor; with insulated ferrule	0.25 mm ²
Fine-stranded conductor; with uninsulated ferrule	0.25 mm ²
Note (conductor cross-section)	Terminating 0.75 mm ² /18 AWG conductors is possible; however insulation diameter allows only every other clamping unit to be terminated with this conductor size.

Material Data

Material group	I
Insulation material	Polyamide (PA66)
Flammability class per UL94	V0
Clamping spring material	Chrome nickel spring steel (CrNi)
Contact material	Electrolytic copper (E _{cu})
Contact plating	Tin-plated

Mechanical Data

Solder pin arrangement	Over the entire terminal strip (in-line)
Solder pin length	4 mm
Solder pin dimensions	0.5 x 0.75 mm
Drilled hole diameter with tolerance	1.1 (+0.1) mm

Environmental Requirements

Limit temperature range	-60 ... +105 °C
--------------------------------	-----------------

Ferrule Page 879

Marking Page 864

Tool Page 870

See technical section for further information

For approvals and corresponding ratings, visit www.wago.com

PCB terminal block ▶ 233 Series

CAGE CLAMP® ▶ Actuation type: Operating tool ▶ 0.5 mm²

Pin spacing: 2.5 mm / 0.098 inch ▶ Color: gray

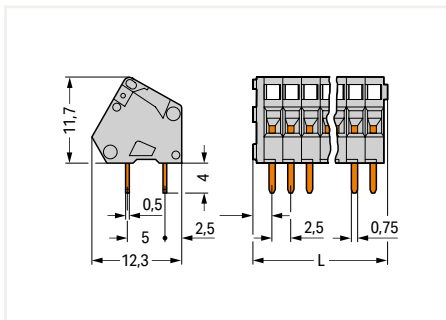
Pin spacing: 2.54 mm / 0.1 inch ▶ Color: orange

1

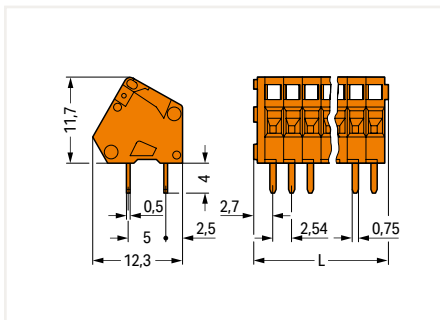


Pole No.	Item No.	PU (SPU)
2	233-102	600 (100)
3	233-103	500 (125)
4	233-104	400 (100)
5	233-105	340 (85)
6	233-106	280 (70)
7	233-107	240 (60)
8	233-108	220 (55)
9	233-109	200 (50)
10	233-110	180 (45)
12	233-112	140 (35)

Pole No.	Item No.	PU (SPU)
2	233-402	600 (100)
3	233-403	500 (125)
4	233-404	400 (100)
5	233-405	340 (85)
6	233-406	280 (70)
7	233-407	240 (60)
8	233-408	220 (55)
9	233-409	200 (50)
10	233-410	180 (45)
12	233-412	140 (35)



L = (pole no. x pin spacing) + 2.3 mm



L = (pole no. x pin spacing) + 2.3 mm

PU = Packaging Unit; SPU = Subpackaging Unit; Dimensions in mm

Other versions (or variants) can be requested from WAGO Sales or configured at <https://configurator.wago.com/>.

- Other pole numbers
- Other colors
- Mixed-color PCB connector strips
- Direct marking

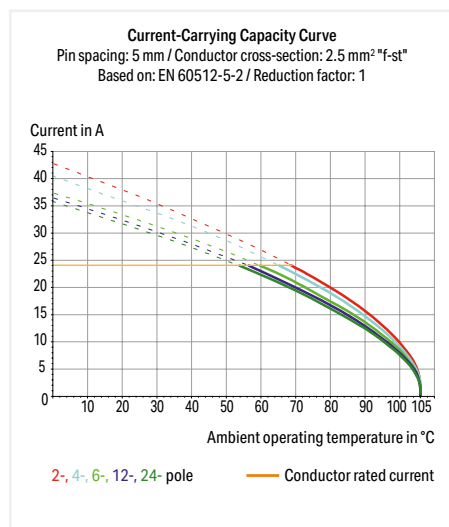
Stackable PCB terminal block ▶ 236 Series

CAGE CLAMP® ▶ Actuation type: Operating tool ▶ 2.5 mm² ▶ Pin spacing: 5/5.08 mm / 0.197/0.2 inch

1



- Modular PCB terminal blocks with CAGE CLAMP® connection, screwdriver actuation parallel or perpendicular to conductor entry
- Versions with Ex approval
- For custom PCB terminal strip assemblies
- Operating tools for factory wiring
- 45° conductor entry angle permits a wide range of applications and wiring options
- Set to metric or inch pin spacing by compressing PCB terminal strips or pulling them apart



Electrical Data

Pin spacing	5/5.08 mm / 0.197/0.2 inch		
Ratings per	IEC/EN 60664-1		
Overvoltage category	III	III	II
Pollution degree	3	2	2
Rated voltage	250 V	320 V	630 V
Rated impulse voltage	4 kV	4 kV	4 kV
Rated current	24 A	24 A	24 A
Approbations per	UL 1059		
Use group	B	C	D
Rated voltage	300 V	-	300 V
Rated current	15 A	-	10 A
Approbations per	CSA		
Use group	B	C	D
Rated voltage	300 V	-	300 V
Rated current	15 A	-	10 A

Connection Data

Connection technology	CAGE CLAMP®
Strip length	5 ... 6 mm / 0.2 ... 0.24 inch
Conductor connection direction to PCB	45°
Solid conductor	0.08 ... 2.5 mm ² / 28 ... 12 AWG
Fine-stranded conductor	0.08 ... 2.5 mm ² / 28 ... 12 AWG
Fine-stranded conductor; with insulated ferrule	0.25 ... 1.5 mm ²
Fine-stranded conductor; with uninsulated ferrule	0.25 ... 1.5 mm ²
Note (conductor cross-section)	12 AWG: THHN, THWN

Material Data

Material group	I
Insulation material	Polyamide (PA66)
Flammability class per UL94	V0
Clamping spring material	Chrome nickel spring steel (CrNi)
Contact material	Electrolytic copper (E _{cu})
Contact plating	Tin-plated

Mechanical Data

Solder pin length	4 mm
Solder pin dimensions	0.7 x 0.7 mm
Drilled hole diameter with tolerance	1.1 (+0.1) mm

Environmental Requirements

Limit temperature range	-60 ... +105 °C
-------------------------	-----------------

Ferrule [Page 879](#)

Marking [Page 865](#)

Test and measurement [Page 260](#)

Tool [Page 870](#)

See technical section for further information

For approvals and corresponding ratings, visit www.wago.com

Stackable PCB terminal block ▶ 236 Series

CAGE CLAMP® ▶ Actuation type: Operating tool ▶ 2.5 mm² ▶ Pin spacing: 5/5.08 mm / 0.197/0.2 inch

Number of solder pins per potential: 1

Number of solder pins per potential: 2

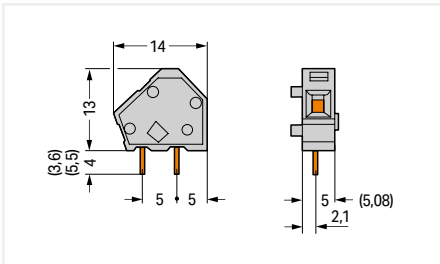
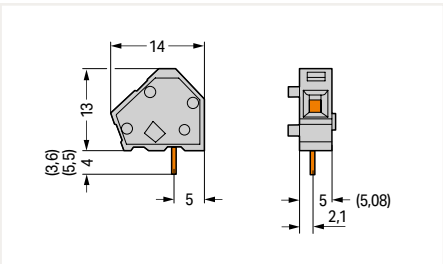


236-101

236-401

Color	Item No.	PU (SPU)
gray	236-101	600 (100)
blue	236-714	600 (100)
orange	236-716	600 (100)
black	236-854	600 (100)
yellow	236-711	600 (100)
light gray	236-713	600 (100)
green	236-715	600 (100)
light green	236-717	600 (100)
violet	236-894	600 (100)
brown	236-884	600 (100)
red	236-710	600 (100)
dark gray	236-712	600 (100)

Color	Item No.	PU (SPU)
gray	236-401	600 (100)
blue	236-744	600 (100)
orange	236-746	600 (100)
black	236-851	600 (100)
yellow	236-741	600 (100)
light gray	236-743	600 (100)
green	236-745	600 (100)
light green	236-747	600 (100)
violet	236-891	600 (100)
brown	236-881	600 (100)
red	236-740	600 (100)
dark gray	236-742	600 (100)



Accessories; for all products on this page



End plate; Width: 1 mm; snap-on type

Color	Item No.	PU (SPU)
gray	236-100	2000 (100)
green	236-500	2000 (100)
light green	236-700	2000 (100)
red	236-800	2000 (100)

End plate; Width: 1 mm; Snap-on type

Color	Item No.	PU (SPU)
blue	236-400	2000 (100)
orange	236-600	2000 (100)
black	236-850	2000 (100)
light gray	236-300	2000 (100)
dark gray	236-200	2000 (100)

PU = Packaging Unit; SPU = Subpackaging Unit; Dimensions in mm

Other versions (or variants) can be requested from WAGO Sales or configured at <https://configurator.wago.com/>.

- Versions for Ex e II and Ex i
- Solder pin length: 3.6 mm
- Solder pin length: 5.5 mm

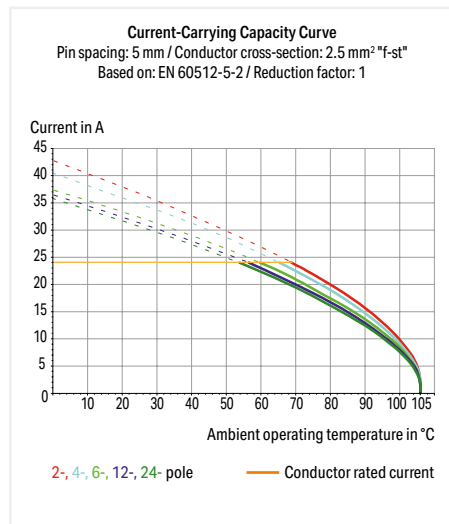
Stackable PCB terminal block ▶ 236 Series

CAGE CLAMP® ▶ Actuation type: Operating tool ▶ 2.5 mm² ▶ Pin spacing: 7.5/7.62 mm / 0.295/0.3 inch

1



- Modular PCB terminal blocks with CAGE CLAMP® connection, screwdriver actuation parallel or perpendicular to conductor entry
- Versions with Ex approval
- For custom PCB terminal strip assemblies
- Operating tools for factory wiring
- 45° conductor entry angle permits a wide range of applications and wiring options
- Set to metric or inch pin spacing by compressing PCB terminal strips or pulling them apart



Electrical Data

Pin spacing	7.5/7.62 mm / 0.295/0.3 inch		
Ratings per	IEC/EN 60664-1		
Overvoltage category	III	III	II
Pollution degree	3	2	2
Rated voltage	400 V	630 V	1000 V
Rated impulse voltage	6 kV	6 kV	6 kV
Rated current	24 A	24 A	24 A
Approbations per	UL 1059		
Use group	B	C	D
Rated voltage	300 V	-	300 V
Rated current	15 A	-	10 A
Approbations per	CSA		
Use group	B	C	D
Rated voltage	300 V	-	300 V
Rated current	15 A	-	10 A

Connection Data

Connection technology	CAGE CLAMP®
Strip length	5 ... 6 mm / 0.2 ... 0.24 inch
Conductor connection direction to PCB	45°
Solid conductor	0.08 ... 2.5 mm ² / 28 ... 12 AWG
Fine-stranded conductor	0.08 ... 2.5 mm ² / 28 ... 12 AWG
Fine-stranded conductor; with insulated ferrule	0.25 ... 1.5 mm ²
Fine-stranded conductor; with uninsulated ferrule	0.25 ... 1.5 mm ²
Note (conductor cross-section)	12 AWG: THHN, THWN

Material Data

Material group	I
Insulation material	Polyamide (PA66)
Flammability class per UL94	V0
Clamping spring material	Chrome nickel spring steel (CrNi)
Contact material	Electrolytic copper (E _{cu})
Contact plating	Tin-plated

Mechanical Data

Solder pin dimensions	0.7 x 0.7 mm
Drilled hole diameter with tolerance	1.1 ^(+0.1) mm

Environmental Requirements

Limit temperature range	-60 ... +105 °C
-------------------------	-----------------

Ferrule Page 879

Marking Page 865

Test and measurement Page 260

Tool Page 870

See technical section for further information

For approvals and corresponding ratings, visit www.wago.com

Stackable PCB terminal block ▶ 236 Series

CAGE CLAMP® ▶ Actuation type: Operating tool ▶ 2.5 mm² ▶ Pin spacing: 7.5/7.62 mm / 0.295/0.3 inch

Number of solder pins per potential: 1

Number of solder pins per potential: 2

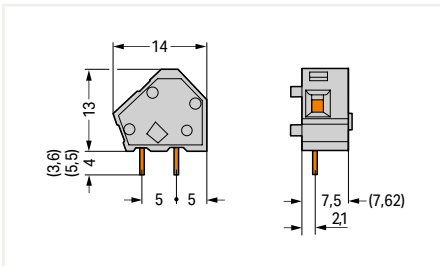
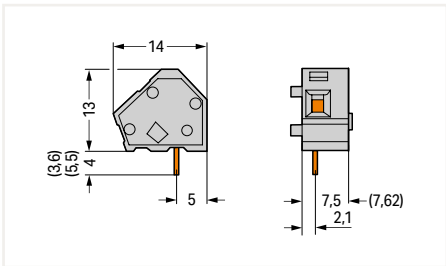


236-201

236-501

Color	Item No.	PU (SPU)
gray	236-201	400 (100)
blue	236-724	400 (100)
orange	236-726	400 (100)
black	236-855	400 (100)
light gray	236-723	400 (100)
green	236-725	400 (100)
light green	236-727	400 (100)
brown	236-885	400 (100)
dark gray	236-722	400 (100)

Color	Item No.	PU (SPU)
gray	236-501	400 (100)
blue	236-754	400 (100)
orange	236-756	400 (100)
black	236-852	400 (100)
light gray	236-753	400 (100)
green	236-755	400 (100)
light green	236-757	400 (100)
brown	236-882	400 (100)
dark gray	236-752	400 (100)



Accessories; for all products on this page



End plate; Width: 1 mm; snap-on type

Color	Item No.	PU (SPU)
gray	236-100	2000 (100)
green	236-500	2000 (100)
light green	236-700	2000 (100)
red	236-800	2000 (100)

End plate; Width: 1 mm; Snap-on type

Color	Item No.	PU (SPU)
blue	236-400	2000 (100)
orange	236-600	2000 (100)
black	236-850	2000 (100)
light gray	236-300	2000 (100)
dark gray	236-200	2000 (100)

PU = Packaging Unit; SPU = Subpackaging Unit; Dimensions in mm

Other versions (or variants) can be requested from WAGO Sales or configured at <https://configurator.wago.com/>.

- Versions for Ex e II and Ex i
- Solder pin length: 3.6 mm
- Solder pin length: 5.5 mm

Stackable PCB terminal block ▶ 236 Series

CAGE CLAMP® ▶ Actuation type: Operating tool ▶ 2.5 mm² ▶ Pin spacing: 10/10.16 mm / 0.394/0.4 inch

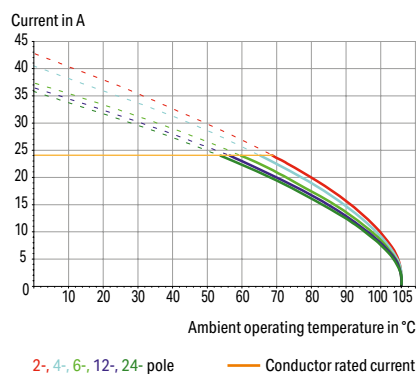
1



- Modular PCB terminal blocks with CAGE CLAMP® connection, screwdriver actuation parallel or perpendicular to conductor entry
- Versions with Ex approval
- For custom PCB terminal strip assemblies
- Operating tools for factory wiring
- 45° conductor entry angle permits a wide range of applications and wiring options
- Set to metric or inch pin spacing by compressing PCB terminal strips or pulling them apart

Current-Carrying Capacity Curve

Pin spacing: 5 mm / Conductor cross-section: 2.5 mm² f-st*
Based on: EN 60512-5-2 / Reduction factor: 1



Electrical Data

Pin spacing	10/10.16 mm / 0.394/0.4 inch		
Ratings per	IEC/EN 60664-1		
Overvoltage category	III	III	II
Pollution degree	3	2	2
Rated voltage	630 V	1000 V	1000 V
Rated impulse voltage	8 kV	8 kV	8 kV
Rated current	24 A	24 A	24 A
Approbations per	UL 1059		
Use group	B	C	D
Rated voltage	300 V	-	300 V
Rated current	15 A	-	10 A
Approbations per	CSA		
Use group	B	C	D
Rated voltage	300 V	-	300 V
Rated current	15 A	-	10 A

Connection Data

Connection technology	CAGE CLAMP®
Strip length	5 ... 6 mm / 0.2 ... 0.24 inch
Conductor connection direction to PCB	45°
Solid conductor	0.08 ... 2.5 mm ² / 28 ... 12 AWG
Fine-stranded conductor	0.08 ... 2.5 mm ² / 28 ... 12 AWG
Fine-stranded conductor; with insulated ferrule	0.25 ... 1.5 mm ²
Fine-stranded conductor; with uninsulated ferrule	0.25 ... 1.5 mm ²
Note (conductor cross-section)	12 AWG: THHN, THWN

Material Data

Material group	I
Insulation material	Polyamide (PA66)
Flammability class per UL94	V0
Clamping spring material	Chrome nickel spring steel (CrNi)
Contact material	Electrolytic copper (E _{cu})
Contact plating	Tin-plated

Mechanical Data

Solder pin length	4 mm
Solder pin dimensions	0.7 x 0.7 mm
Drilled hole diameter with tolerance	1.1 (+0.1) mm

Environmental Requirements

Limit temperature range	-60 ... +105 °C
-------------------------	-----------------

Ferrule Page 879

Marking Page 866

Tool Page 870

See technical section for further information

For approvals and corresponding ratings, visit www.wago.com

Stackable PCB terminal block ▶ 236 Series

CAGE CLAMP® ▶ Actuation type: Operating tool ▶ 2.5 mm² ▶ Pin spacing: 10/10.16 mm / 0.394/0.4 inch

Number of solder pins per potential: 1

Number of solder pins per potential: 2

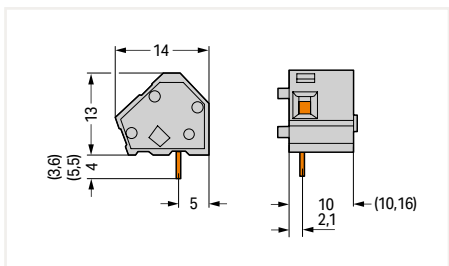


236-301

236-601

Color	Item No.	PU (SPU)
gray	236-301	300 (100)
blue	236-734	300 (100)
orange	236-736	300 (100)
black	236-856	300 (100)
light gray	236-733	300 (100)
green	236-735	300 (100)
light green	236-737	300 (100)
dark gray	236-732	300 (100)

Color	Item No.	PU (SPU)
gray	236-601	300 (100)
blue	236-764	300 (100)
orange	236-766	300 (100)
black	236-853	300 (100)
light gray	236-763	300 (100)
green	236-765	300 (100)
light green	236-767	300 (100)
dark gray	236-762	300 (100)



Accessories; for all products on this page



End plate; Width: 1 mm; snap-on type

Color	Item No.	PU (SPU)
gray	236-100	2000 (100)
green	236-500	2000 (100)
light green	236-700	2000 (100)
red	236-800	2000 (100)

End plate; Width: 1 mm; Snap-on type

Color	Item No.	PU (SPU)
blue	236-400	2000 (100)
orange	236-600	2000 (100)
black	236-850	2000 (100)
light gray	236-300	2000 (100)
dark gray	236-200	2000 (100)

PU = Packaging Unit; SPU = Subpackaging Unit; Dimensions in mm

Other versions (or variants) can be requested from WAGO Sales or configured at <https://configurator.wago.com/>.

- Versions for Ex e II and Ex i
- Solder pin length: 3.6 mm
- Solder pin length: 5.5 mm

PCB terminal block ▶ 236 Series

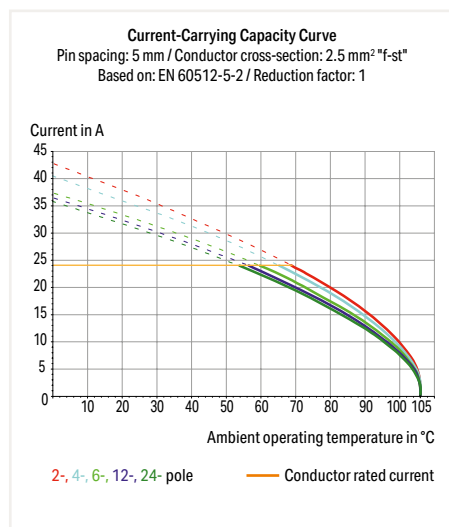
CAGE CLAMP® ▶ Actuation type: Operating tool ▶ 2.5 mm² ▶ Pin spacing: 5/5.08 mm /

0.197/0.2 inch ▶ Color: gray

1



- PCB terminal strips with CAGE CLAMP® connection, screwdriver actuation parallel or perpendicular to conductor entry
- Versions with Ex approval
- Mixed-color PCB terminal strips from factory
- Operating tools for factory wiring
- 45° conductor entry angle permits a wide range of applications and wiring options
- Set to metric or inch pin spacing by compressing PCB terminal strips or pulling them apart



Electrical Data

Pin spacing	5/5.08 mm / 0.197/0.2 inch		
Ratings per	IEC/EN 60664-1		
Overvoltage category	III	III	II
Pollution degree	3	2	2
Rated voltage	250 V	320 V	630 V
Rated impulse voltage	4 kV	4 kV	4 kV
Rated current	24 A	24 A	24 A
Approbations per	UL 1059		
Use group	B	C	D
Rated voltage	300 V	-	300 V
Rated current	15 A	-	10 A
Approbations per	CSA		
Use group	B	C	D
Rated voltage	300 V	-	300 V
Rated current	15 A	-	10 A

Connection Data

Connection technology	CAGE CLAMP®
Strip length	5 ... 6 mm / 0.2 ... 0.24 inch
Conductor connection direction to PCB	45°
Solid conductor	0.08 ... 2.5 mm ² / 28 ... 12 AWG
Fine-stranded conductor	0.08 ... 2.5 mm ² / 28 ... 12 AWG
Fine-stranded conductor; with insulated ferrule	0.25 ... 1.5 mm ²
Fine-stranded conductor; with uninsulated ferrule	0.25 ... 1.5 mm ²
Note (conductor cross-section)	12 AWG: THHN, THWN

Material Data

Material group	I
Insulation material	Polyamide (PA66)
Flammability class per UL94	V0
Clamping spring material	Chrome nickel spring steel (CrNi)
Contact material	Electrolytic copper (E _{cu})
Contact plating	Tin-plated

Mechanical Data

Solder pin arrangement	Over the entire terminal strip (in-line)
Solder pin length	4 mm
Solder pin dimensions	0.7 x 0.7 mm
Drilled hole diameter with tolerance	1.1 (+0.1) mm

Environmental Requirements

Limit temperature range	-60 ... +105 °C
-------------------------	-----------------

Ferrule	Page 879
Marking	Page 865
Test and measurement	Page 260
Tool	Page 870
Commoning strips	Page 262

See technical section for further information

For approvals and corresponding ratings, visit www.wago.com

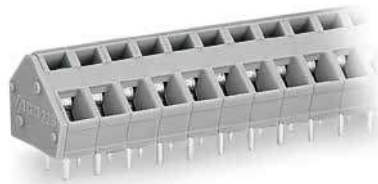
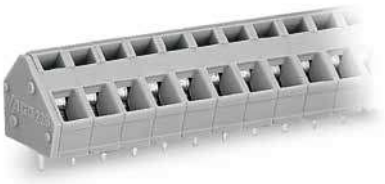
PCB terminal block ▶ 236 Series

CAGE CLAMP® ▶ Actuation type: Operating tool ▶ 2.5 mm² ▶ Pin spacing: 5/5.08 mm / 0.197/0.2 inch ▶ Color: gray

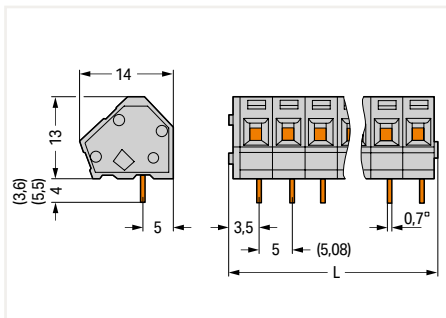
Number of solder pins per potential: 1

Number of solder pins per potential: 2

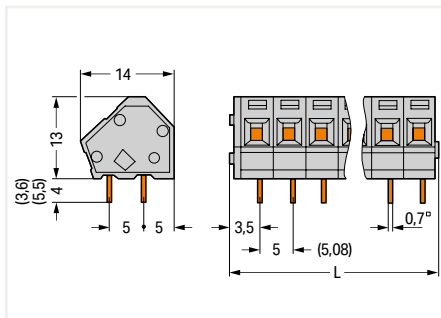
1



Pole No.	Item No.	PU (SPU)	Pole No.	Item No.	PU (SPU)
2	236-102	420 (105)	2	236-402	420 (105)
3	236-103	280 (70)	3	236-403	280 (70)
4	236-104	220 (55)	4	236-404	220 (55)
6	236-106	140 (35)	6	236-406	140 (35)
8	236-108	100 (25)	8	236-408	100 (25)
12	236-112	80 (20)	12	236-412	80 (20)
16	236-116	60 (15)	16	236-416	60 (15)
24	236-124	40 (10)	24	236-424	40 (10)
36	236-136	20 (5)	36	236-436	20 (5)
48	236-148	20 (5)	48	236-448	20 (5)



$L = (\text{pole no.} \times \text{pin spacing}) + 2.3 \text{ mm}$



$L = (\text{pole no.} \times \text{pin spacing}) + 2.3 \text{ mm}$

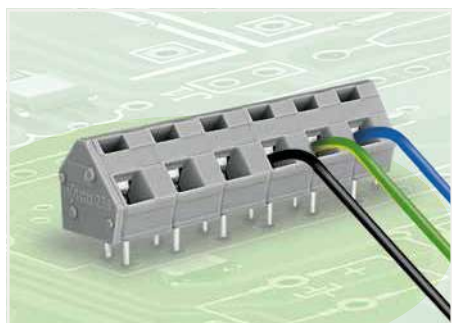
PU = Packaging Unit; SPU = Subpackaging Unit; Dimensions in mm

Other versions (or variants) can be requested from WAGO Sales or configured at <https://configurator.wago.com/>.

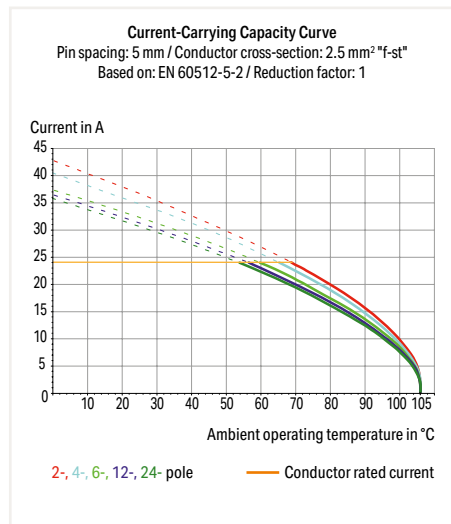
- Other pole numbers
- Versions for Ex e II and Ex i
- Other colors
- Mixed-color PCB connector strips
- Direct marking
- Solder pin length: 3.6 mm
- Solder pin length: 5.5 mm

PCB terminal block ▶ 236 Series

CAGE CLAMP® ▶ Actuation type: Operating tool ▶ 2.5 mm² ▶ Pin spacing: 7.5/7.62 mm / 0.295/0.3 inch ▶ Color: gray



- PCB terminal strips with CAGE CLAMP® connection, screwdriver actuation parallel or perpendicular to conductor entry
- Versions with Ex approval
- Mixed-color PCB terminal strips from factory
- Operating tools for factory wiring
- 45° conductor entry angle permits a wide range of applications and wiring options
- Set to metric or inch pin spacing by compressing PCB terminal strips or pulling them apart



Electrical Data

Pin spacing	7.5/7.62 mm / 0.295/0.3 inch		
Ratings per	IEC/EN 60664-1		
Overvoltage category	III	III	II
Pollution degree	3	2	2
Rated voltage	400 V	630 V	1000 V
Rated impulse voltage	6 kV	6 kV	6 kV
Rated current	24 A	24 A	24 A
Approbations per	UL 1059		
Use group	B	C	D
Rated voltage	300 V	-	300 V
Rated current	15 A	-	10 A
Approbations per	CSA		
Use group	B	C	D
Rated voltage	300 V	-	300 V
Rated current	15 A	-	10 A

Connection Data

Connection technology	CAGE CLAMP®
Strip length	5 ... 6 mm / 0.2 ... 0.24 inch
Conductor connection direction to PCB	45°
Solid conductor	0.08 ... 2.5 mm ² / 28 ... 12 AWG
Fine-stranded conductor	0.08 ... 2.5 mm ² / 28 ... 12 AWG
Fine-stranded conductor; with insulated ferrule	0.25 ... 1.5 mm ²
Fine-stranded conductor; with uninsulated ferrule	0.25 ... 1.5 mm ²
Note (conductor cross-section)	12 AWG: THHN, THWN

Material Data

Material group	I
Insulation material	Polyamide (PA66)
Flammability class per UL94	V0
Clamping spring material	Chrome nickel spring steel (CrNi)
Contact material	Electrolytic copper (E _{cu})
Contact plating	Tin-plated

Mechanical Data

Solder pin arrangement	Over the entire terminal strip (in-line)
Solder pin length	4 mm
Solder pin dimensions	0.7 x 0.7 mm
Drilled hole diameter with tolerance	1.1 (+0.1) mm

Environmental Requirements

Limit temperature range	-60 ... +105 °C
-------------------------	-----------------

Ferrule	Page 879
Marking	Page 865
Test and measurement	Page 260
Tool	Page 870
Commoning strips	Page 262

See technical section for further information

For approvals and corresponding ratings, visit www.wago.com

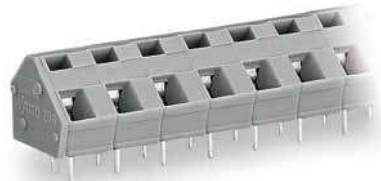
PCB terminal block ▶ 236 Series

CAGE CLAMP® ▶ Actuation type: Operating tool ▶ 2.5 mm² ▶ Pin spacing: 7.5/7.62 mm / 0.295/0.3 inch ▶ Color: gray

Number of solder pins per potential: 1

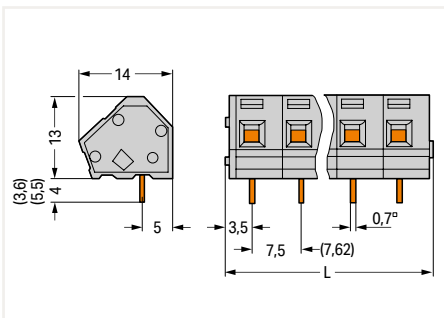
Number of solder pins per potential: 2

1

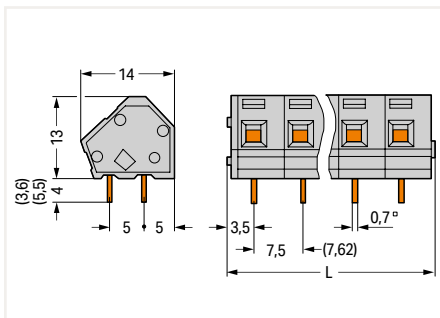


Pole No.	Item No.	PU (SPU)
2	236-202	280 (70)
3	236-203	200 (50)
4	236-204	140 (35)
6	236-206	100 (25)
8	236-208	80 (20)
12	236-212	40 (10)
16	236-216	40 (10)
24	236-224	20 (5)

Pole No.	Item No.	PU (SPU)
2	236-502	280 (70)
3	236-503	200 (50)
4	236-504	140 (35)
6	236-506	100 (25)
8	236-508	80 (20)
12	236-512	40 (10)
16	236-516	40 (10)
24	236-524	20 (5)



$L = (\text{pole no.} \times \text{pin spacing}) + 2.3 \text{ mm}$



$L = (\text{pole no.} \times \text{pin spacing}) + 2.3 \text{ mm}$

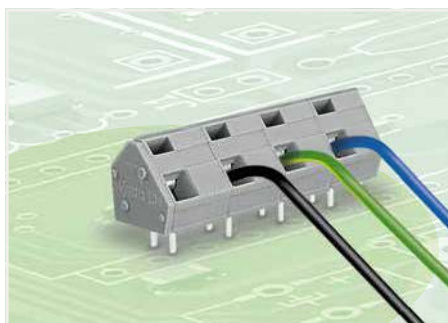
PU = Packaging Unit; SPU = Subpackaging Unit; Dimensions in mm

Other versions (or variants) can be requested from WAGO Sales or configured at <https://configurator.wago.com/>.

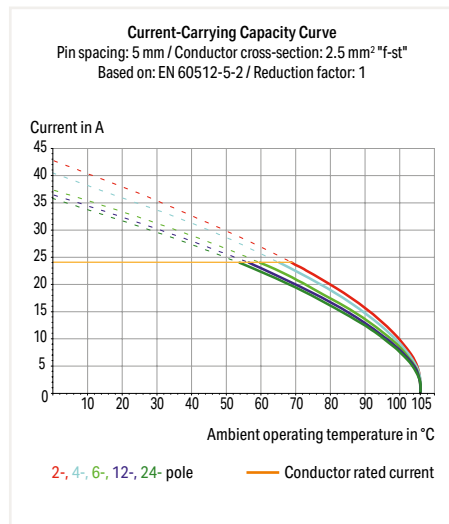
- Other pole numbers
- Versions for Ex e II and Ex i
- Other colors
- Mixed-color PCB connector strips
- Direct marking
- Solder pin length: 3.6 mm
- Solder pin length: 5.5 mm

PCB terminal block ▶ 236 Series

CAGE CLAMP® ▶ Actuation type: Operating tool ▶ 2.5 mm² ▶ Pin spacing: 10/10.16 mm / 0.394/0.4 inch ▶ Color: gray



- PCB terminal strips with CAGE CLAMP® connection, screwdriver actuation parallel or perpendicular to conductor entry
- Versions with Ex approval
- Mixed-color PCB terminal strips from factory
- Operating tools for factory wiring
- 45° conductor entry angle permits a wide range of applications and wiring options
- Set to metric or inch pin spacing by compressing PCB terminal strips or pulling them apart



Electrical Data

Pin spacing	10/10.16 mm / 0.394/0.4 inch		
Ratings per	IEC/EN 60664-1		
Overvoltage category	III	III	II
Pollution degree	3	2	2
Rated voltage	630 V	1000 V	1000 V
Rated impulse voltage	8 kV	8 kV	8 kV
Rated current	24 A	24 A	24 A
Approbations per	UL 1059		
Use group	B	C	D
Rated voltage	300 V	-	300 V
Rated current	15 A	-	10 A
Approbations per	CSA		
Use group	B	C	D
Rated voltage	300 V	-	300 V
Rated current	15 A	-	10 A

Connection Data

Connection technology	CAGE CLAMP®
Strip length	5 ... 6 mm / 0.2 ... 0.24 inch
Conductor connection direction to PCB	45°
Solid conductor	0.08 ... 2.5 mm ² / 28 ... 12 AWG
Fine-stranded conductor	0.08 ... 2.5 mm ² / 28 ... 12 AWG
Fine-stranded conductor; with insulated ferrule	0.25 ... 1.5 mm ²
Fine-stranded conductor; with uninsulated ferrule	0.25 ... 1.5 mm ²
Note (conductor cross-section)	12 AWG: THHN, THWN

Material Data

Material group	I
Insulation material	Polyamide (PA66)
Flammability class per UL94	V0
Clamping spring material	Chrome nickel spring steel (CrNi)
Contact material	Electrolytic copper (E _{cu})
Contact plating	Tin-plated

Mechanical Data

Solder pin arrangement	Over the entire terminal strip (in-line)
Solder pin length	4 mm
Solder pin dimensions	0.7 x 0.7 mm
Drilled hole diameter with tolerance	1.1 (+0.1) mm

Environmental Requirements

Limit temperature range	-60 ... +105 °C
-------------------------	-----------------

Ferrule Page 879

Marking Page 866

Tool Page 870

Commoning strips Page 262

See technical section for further information

For approvals and corresponding ratings, visit www.wago.com

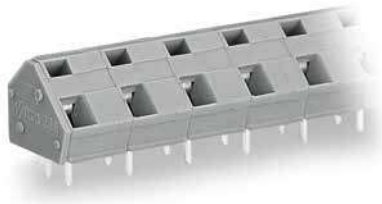
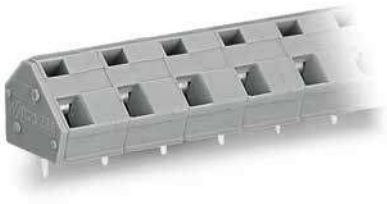
PCB terminal block ▶ 236 Series

CAGE CLAMP® ▶ Actuation type: Operating tool ▶ 2.5 mm² ▶ Pin spacing: 10/10.16 mm / 0.394/0.4 inch ▶ Color: gray

Number of solder pins per potential: 1

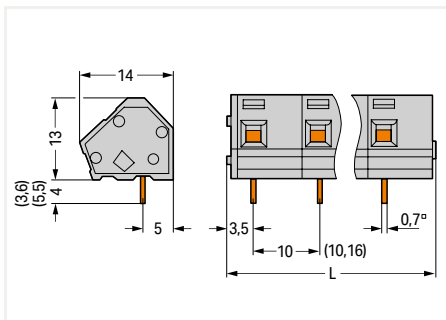
Number of solder pins per potential: 2

1

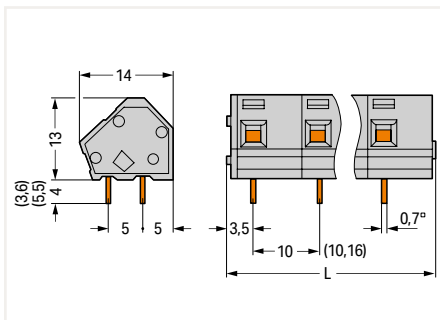


Pole No.	Item No.	PU (SPU)
2	236-302	200 (50)
3	236-303	140 (35)
4	236-304	100 (25)
6	236-306	80 (20)
8	236-308	60 (15)
12	236-312	40 (10)
16	236-316	20 (5)
24	236-324	20 (5)

Pole No.	Item No.	PU (SPU)
2	236-602	200 (50)
3	236-603	140 (35)
4	236-604	100 (25)
6	236-606	80 (20)
8	236-608	60 (15)
12	236-612	40 (10)
16	236-616	20 (5)
24	236-624	20 (5)



$L = (\text{pole no.} \times \text{pin spacing}) + 2.3 \text{ mm}$



$L = (\text{pole no.} \times \text{pin spacing}) + 2.3 \text{ mm}$

PU = Packaging Unit; SPU = Subpackaging Unit; Dimensions in mm

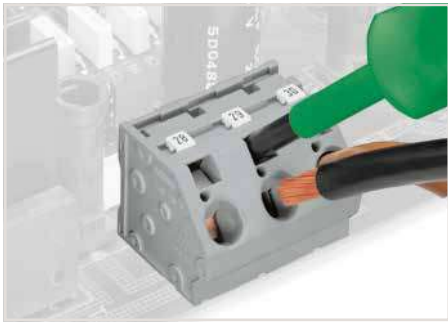
Other versions (or variants) can be requested from WAGO Sales or configured at <https://configurator.wago.com/>.

- Other pole numbers
- Versions for Ex e II and Ex i
- Other colors
- Mixed-color PCB connector strips
- Direct marking
- Solder pin length: 3.6 mm
- Solder pin length: 5.5 mm

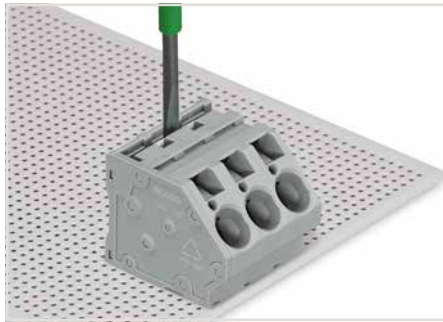
745 Series

Description and Installation

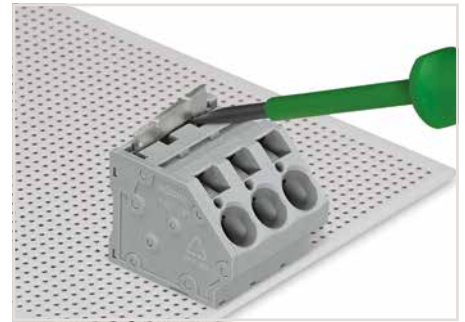
1



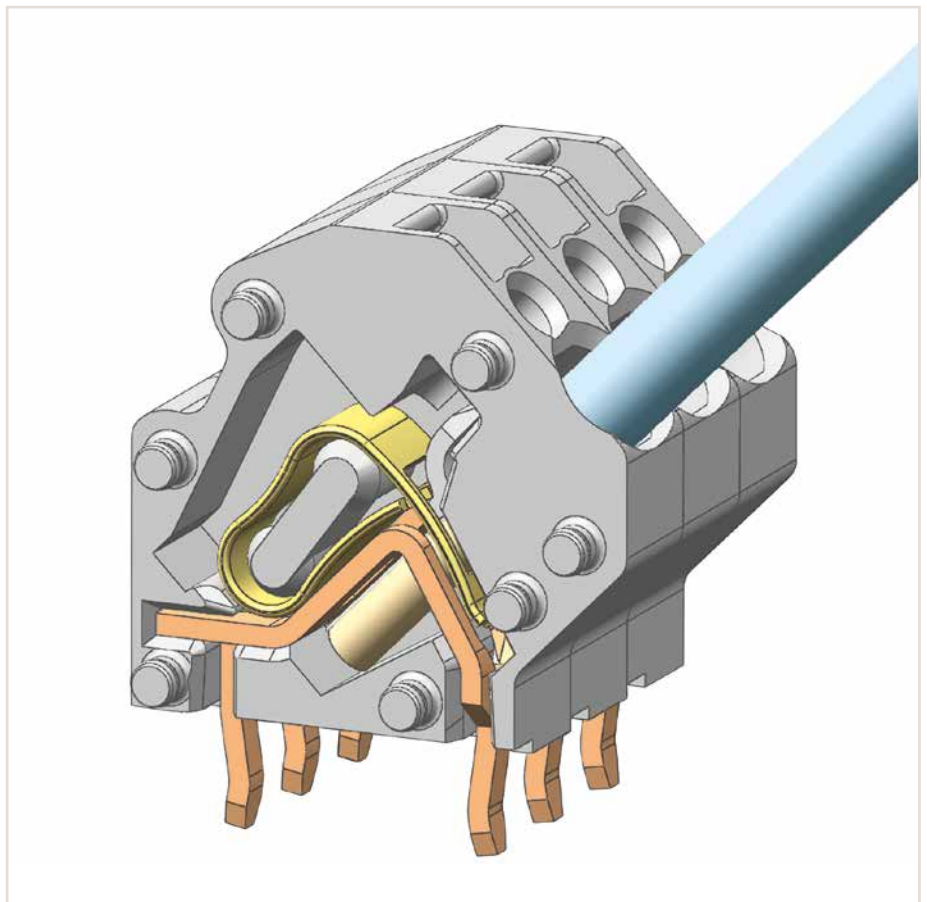
Inserting/removing a conductor via 5.5 mm screwdriver – 745 Series, 16 mm².



To insert a comb-style jumper bar, push it down using a screwdriver until it hits the backstop – 745 Series.



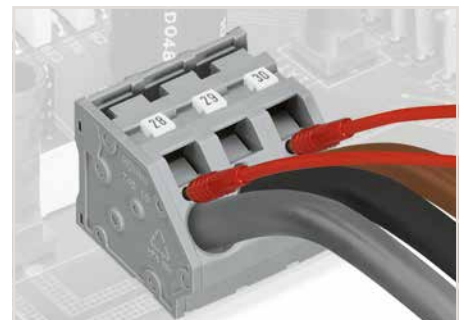
To remove the comb-style jumper bar, lift it up using a screwdriver – 745 Series.



745 Series



Marking via miniature WSB and WMB markers or factory direct marking – 745 Series.

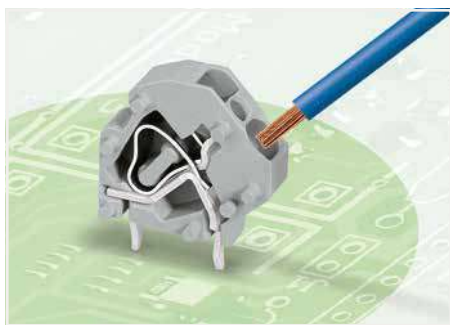


Testing with test plug – 745 Series.

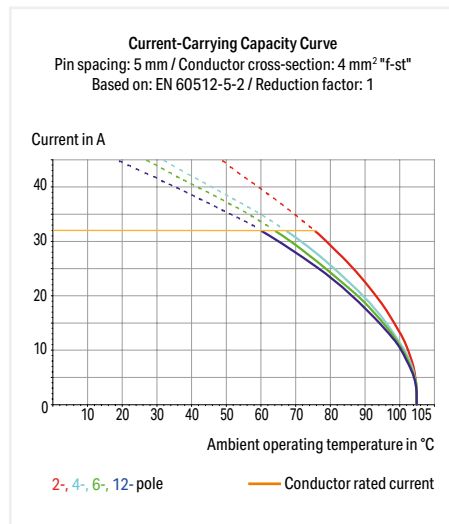
Stackable PCB terminal block ▶ 745 Series

CAGE CLAMP® ▶ Actuation type: Operating tool ▶ 4 mm² ▶ Pin spacing: 5 mm / 0.197 inch

1



- Modular PCB terminal blocks with screwdriver-actuated CAGE CLAMP® for custom PCB terminal strip assemblies
- Versions with Ex approval
- Spacers for higher voltage applications
- Double solder pins for high mechanical stability
- Space-efficient configuration of terminal strips placed behind each other
- Integrated testing tap

**Electrical Data**

Pin spacing	5 mm / 0.197 inch		
Ratings per	IEC/EN 60664-1		
Overvoltage category	III	III	II
Pollution degree	3	2	2
Rated voltage	320 V	320 V	630 V
Rated impulse voltage	4 kV	4 kV	4 kV
Rated current	32 A	32 A	32 A
Approbations per	UL 1059		
Use group	B	C	D
Rated voltage	300 V	-	300 V
Rated current	20 A	-	10 A
Approbations per	CSA		
Use group	B	C	D
Rated voltage	300 V	-	300 V
Rated current	20 A	-	10 A

Connection Data

Connection technology	CAGE CLAMP®
Strip length	8 ... 9 mm / 0.31 ... 0.35 inch
Conductor connection direction to PCB	45 °
Solid conductor	0.08 ... 4 mm ² / 28 ... 12 AWG
Fine-stranded conductor	0.08 ... 4 mm ² / 28 ... 12 AWG
Fine-stranded conductor; with insulated ferrule	0.25 ... 2.5 mm ²
Fine-stranded conductor; with uninsulated ferrule	0.25 ... 2.5 mm ²

Material Data

Material group	I
Insulation material	Polyamide (PA66)
Flammability class per UL94	V0
Clamping spring material	Chrome nickel spring steel (CrNi)
Contact material	Electrolytic copper (E _{cu})
Contact plating	Tin-plated

Mechanical Data

Solder pin arrangement	Within the terminal block (in-line)
Solder pin length	4 mm
Solder pin dimensions	0.8 x 1.2 mm
Drilled hole diameter with tolerance	1.5 ^(+0.1) mm

Environmental Requirements

Limit temperature range	-60 ... +105 °C
-------------------------	-----------------

Ferrule Page 879

Marking Page 865

Test and measurement Page 886

Tool Page 870

See technical section for further information

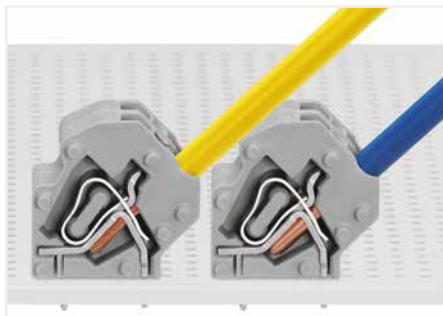
For approvals and corresponding ratings, visit www.wago.com

Stackable PCB terminal block ▶ 745 Series

CAGE CLAMP® ▶ Actuation type: Operating tool ▶ 4 mm² ▶ Pin spacing: 5 mm / 0.197 inch

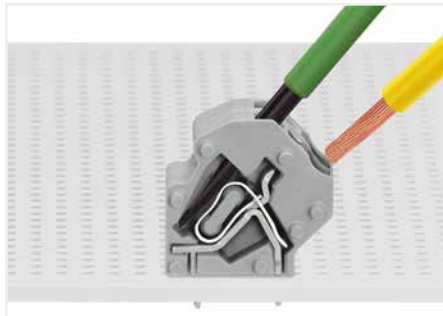


745-3801

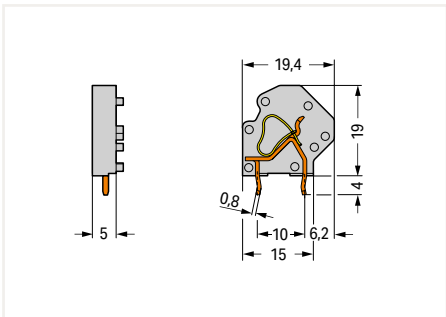


Saving space: two PCB terminal strips arranged in a row

Color	Item No.	PU (SPU)
gray	745-3801	200 (50)
blue	745-3804	200 (50)
light gray	745-3803	200 (50)
light green	745-3808	200 (50)



Inserting a conductor via 3.5 mm screwdriver.



Testing with 2 mm Ø test plug.

Accessories; for all products on this page



End plate; Width: 1.5 mm; snap-on type		
Color	Item No.	PU (SPU)
gray	745-3100	1000 (100)



Intermediate plate; Extends pin spacing; Width: 2.5 mm / 0.098 inch		
Color	Item No.	PU (SPU)
gray	745-3138	200 (50)

PU = Packaging Unit; SPU = Subpackaging Unit; Dimensions in mm

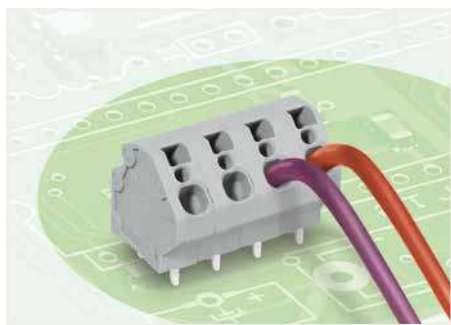
Other versions (or variants) can be requested from WAGO Sales or configured at <https://configurator.wago.com/>.

- Versions for Ex e II and Ex i
- Other colors

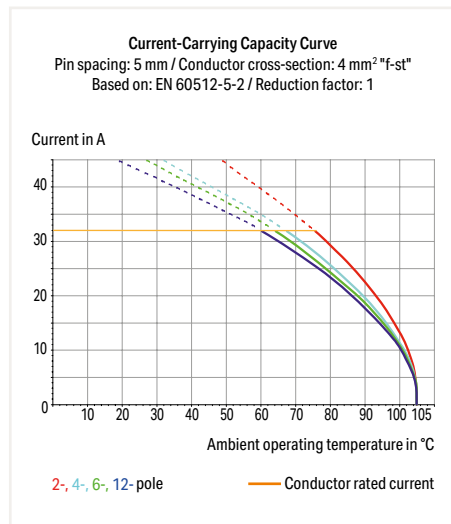
PCB terminal block ▶ 745 Series

CAGE CLAMP® ▶ Actuation type: Operating tool ▶ 4 mm² ▶ Color: gray

1



- PCB terminal strips with screwdriver-actuated CAGE CLAMP® connection
- Versions with Ex approval
- Mixed-color PCB terminal strips from factory
- Space-saving configuration of terminal strips when placed behind each other
- Custom color combinations
- Double solder pins for high mechanical stability
- Integrated testing tap



Electrical Data									
Pin spacing	5 mm / 0.197 inch			7.5 mm / 0.295 inch			10 mm / 0.394 inch		
Ratings per	IEC/EN 60664-1								
Overvoltage category	III	III	II	III	III	II	III	III	II
Pollution degree	3	2	2	3	2	2	3	2	2
Rated voltage	320 V	320 V	630 V	500 V	630 V	1000 V	800 V	1000 V	1000 V
Rated impulse voltage	4 kV	4 kV	4 kV	6 kV	6 kV	6 kV	8 kV	8 kV	8 kV
Rated current	32 A	32 A	32 A	32 A	32 A	32 A	32 A	32 A	32 A
Approbations per	UL 1059			UL 1059			UL 1059		
Use group	B	C	D	B	C	D	B	C	D
Rated voltage	300 V	-	300 V	300 V	150 V	300 V	300 V	300 V	600 V
Rated current	20 A	-	10 A	20 A	20 A	10 A	20 A	20 A	5 A
Approbations per	CSA			CSA			CSA		
Use group	B	C	D	B	C	D	B	C	D
Rated voltage	300 V	-	300 V	300 V	150 V	300 V	300 V	300 V	600 V
Rated current	20 A	-	10 A	20 A	20 A	10 A	20 A	20 A	5 A

Electrical Data									
Pin spacing	12.5 mm / 0.492 inch								
Ratings per	IEC/EN 60664-1								
Overvoltage category	III	III	II						
Pollution degree	3	2	2						
Rated voltage	1000 V	1000 V	1000 V						
Rated impulse voltage	8 kV	8 kV	8 kV						
Rated current	32 A	32 A	32 A						
Approbations per	UL 1059								
Use group	B	C	D						
Rated voltage	600 V	600 V	-						
Rated current	20 A	20 A	-						
Approbations per	CSA								
Use group	B	C	D						
Rated voltage	600 V	600 V	-						
Rated current	20 A	20 A	-						

Connection Data	
Connection technology	CAGE CLAMP®
Strip length	8 ... 9 mm / 0.31 ... 0.35 inch
Conductor connection direction to PCB	45 °
Solid conductor	0.08 ... 4 mm ² / 28 ... 12 AWG
Fine-stranded conductor	0.08 ... 4 mm ² / 28 ... 12 AWG
Fine-stranded conductor; with insulated ferrule	0.25 ... 2.5 mm ²
Fine-stranded conductor; with uninsulated ferrule	0.25 ... 2.5 mm ²

Material Data	
Material group	I
Insulation material	Polyamide (PA66)
Flammability class per UL94	V0
Clamping spring material	Chrome nickel spring steel (CrNi)
Contact material	Electrolytic copper (E _{cu})
Contact plating	Tin-plated

Ferrule Page 879

Marking Page 865

Test and measurement Page 886

Tool Page 870

See technical section for further information

For approvals and corresponding ratings, visit www.wago.com

PCB terminal block ▶ 745 SeriesCAGE CLAMP® ▶ Actuation type: Operating tool ▶ 4 mm² ▶ Color: gray

1

Mechanical Data

Solder pin arrangement	Over the entire terminal strip (in-line)
Solder pin length	4 mm
Solder pin dimensions	0.8 x 1.2 mm
Drilled hole diameter with tolerance	1.5 ^(+0.1) mm

Environmental Requirements

Limit temperature range	-60 ... +105 °C
-------------------------	-----------------

PCB terminal block ▶ 745 Series

CAGE CLAMP® ▶ Actuation type: Operating tool ▶ 4 mm² ▶ Color: gray

Pin spacing: 5 mm / 0.197 inch

Pin spacing: 7.5 mm / 0.295 inch

Pin spacing: 10 mm / 0.394 inch



745-3104

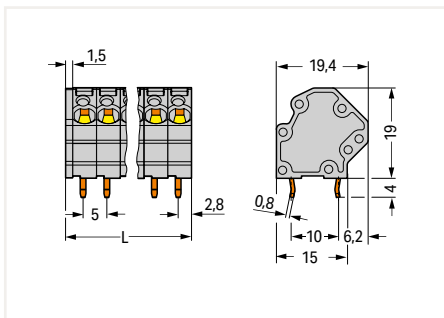
745-3154

745-3204

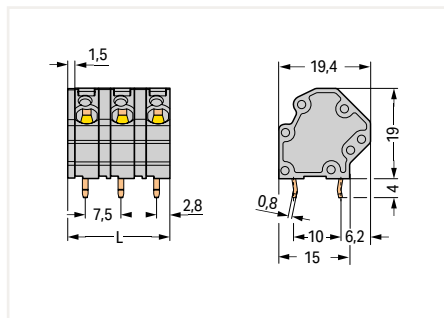
Pole No.	Item No.	PU
2	745-3102	276
3	745-3103	192
4	745-3104	144
5	745-3105	120
6	745-3106	96
7	745-3107	84
8	745-3108	72
9	745-3109	60
10	745-3110	60
11	745-3111	48
12	745-3112	48

Pole No.	Item No.	PU
2	745-3152	228
3	745-3153	132
4	745-3154	108
5	745-3155	84
6	745-3156	72
7	745-3157	60
8	745-3158	48
9	745-3159	48
10	745-3160	36
11	745-3161	30
12	745-3162	30

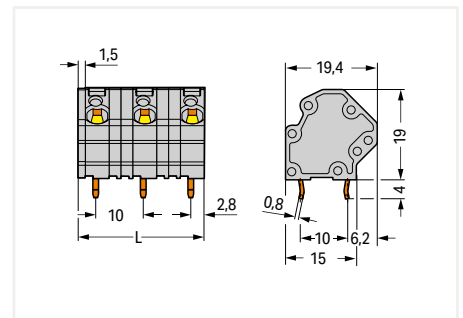
Pole No.	Item No.	PU (SPU)
2	745-3202	192
3	745-3203	120
4	745-3204	84
5	745-3205	60
6	745-3206	48
7	745-3207	48
8	745-3208	36
9	745-3209	36
10	745-3210	24
11	745-3211	12
12	745-3212	24(12)



$L = (\text{pole no.} \times \text{pin spacing}) + 1.5 \text{ mm}$



$L = (\text{pole no.} - 1) \times \text{pin spacing} + 5 \text{ mm} + 1.5 \text{ mm}$



$L = (\text{pole no.} - 1) \times \text{pin spacing} + 5 \text{ mm} + 1.5 \text{ mm}$

PU = Packaging Unit; SPU = Subpackaging Unit; Dimensions in mm

Other versions (or variants) can be requested from WAGO Sales or configured at <https://configurator.wago.com/>.

- Other pole numbers
- Versions for Ex e II and Ex i
- Other colors
- Mixed-color PCB connector strips
- Direct marking

PCB terminal block ▶ 745 Series

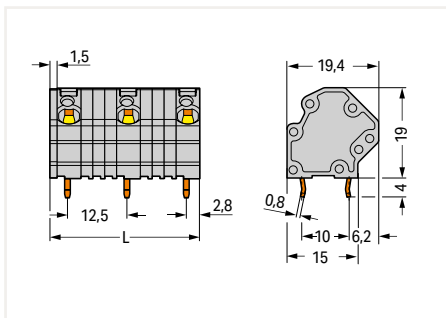
CAGE CLAMP® ▶ Actuation type: Operating tool ▶ 4 mm² ▶ Color: gray

Pin spacing: 12.5 mm / 0.492 inch



745-3254

Pole No.	Item No.	PU (SPU)
2	745-3252	168
3	745-3253	96
4	745-3254	72
5	745-3255	40
6	745-3256	36
7	745-3257	36
8	745-3258	24 (12)
9	745-3259	24
10	745-3260	24
11	745-3261	12
12	745-3262	12



$L = (\text{pole no.} - 1) \times \text{pin spacing} + 5 \text{ mm} + 1.5 \text{ mm}$

PU = Packaging Unit; SPU = Subpackaging Unit; Dimensions in mm

Other versions (or variants) can be requested from WAGO Sales or configured at <https://configurator.wago.com/>.

- Other pole numbers
- Versions for Ex e II and Ex i
- Other colors
- Mixed-color PCB connector strips
- Direct marking

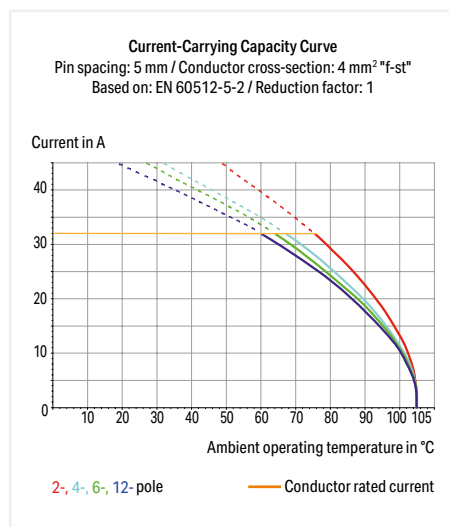
Stackable PCB terminal block ▶ 745 Series

CAGE CLAMP® ▶ Actuation type: Operating tool ▶ 4 mm² ▶ Number of jumper slots: 1

1



- Modular terminal blocks with screwdriver-actuated CAGE CLAMP® for custom terminal strip assemblies
- Versions with Ex approval
- Common and distribute potentials via comb-style jumper bars
- Double solder pins for high mechanical stability
- Integrated testing tap
- Marker slot for Mini-WSB markers

**Electrical Data**

Pin spacing	5 mm / 0.197 inch			7.5 mm / 0.295 inch			10 mm / 0.394 inch		
Ratings per	IEC/EN 60664-1								
Overvoltage category	III	III	II	III	III	II	III	III	II
Pollution degree	3	2	2	3	2	2	3	2	2
Rated voltage	320 V	320 V	630 V	500 V	630 V	1000 V	630 V	1000 V	1000 V
Rated impulse voltage	4 kV	4 kV	4 kV	6 kV	6 kV	6 kV	8 kV	8 kV	8 kV
Rated current	32 A	32 A	32 A	32 A	32 A	32 A	32 A	32 A	32 A
Approbations per	UL 1059			UL 1059			UL 1059		
Use group	B	C	D	B	C	D	B	C	D
Rated voltage	300 V	-	300 V	300 V	150 V	300 V	300 V	150 V	300 V
Rated current	20 A	-	10 A	20 A	20 A	10 A	20 A	20 A	10 A
Approbations per	CSA			CSA			CSA		
Use group	B	C	D	B	C	D	B	C	D
Rated voltage	300 V	-	300 V	300 V	150 V	300 V	300 V	150 V	300 V
Rated current	20 A	-	10 A	20 A	20 A	10 A	20 A	20 A	10 A

Connection Data

Connection technology	CAGE CLAMP®
Strip length	8 ... 9 mm / 0.31 ... 0.35 inch
Conductor connection direction to PCB	45 °
Solid conductor	0.08 ... 4 mm ² / 28 ... 12 AWG
Fine-stranded conductor	0.08 ... 4 mm ² / 28 ... 12 AWG
Fine-stranded conductor; with insulated ferrule	0.25 ... 2.5 mm ²
Fine-stranded conductor; with uninsulated ferrule	0.25 ... 2.5 mm ²

Material Data

Material group	I
Insulation material	Polyamide (PA66)
Flammability class per UL94	V0
Clamping spring material	Chrome nickel spring steel (CrNi)
Contact material	Electrolytic copper (E _{cu})
Contact plating	Tin-plated

Mechanical Data

Solder pin arrangement	Within the terminal block (in-line)
Solder pin length	4 mm
Solder pin dimensions	0.8 x 1.2 mm
Drilled hole diameter with tolerance	1.5 ^(+0.1) mm

Environmental Requirements

Limit temperature range	-60 ... +105 °C
-------------------------	-----------------

Ferrule Page 879

Jumper Page 259

Marking Page 862

Test and measurement Page 886

Tool Page 870

See technical section for further information

For approvals and corresponding ratings, visit www.wago.com

Stackable PCB terminal block ▶ 745 Series

CAGE CLAMP® ▶ Actuation type: Operating tool ▶ 4 mm² ▶ Number of jumper slots: 1

Pin spacing: 5 mm / 0.197 inch

Pin spacing: 7.5 mm / 0.295 inch

Pin spacing: 10 mm / 0.394 inch



745-801

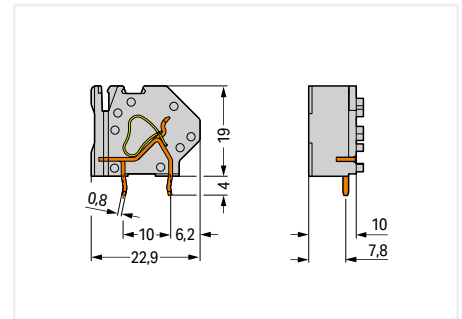
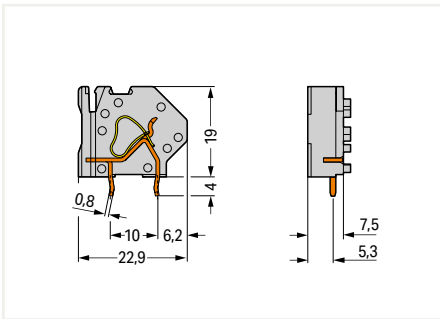
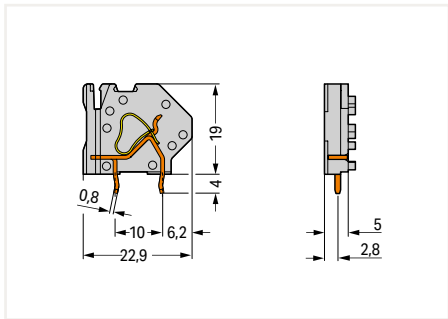
745-811

745-821

Color	Item No.	PU (SPU)
gray	745-801	200 (50)
blue	745-804	200 (50)
light gray	745-803	200 (50)
green-yellow	745-807	200 (50)
light green	745-808	200 (50)

Color	Item No.	PU (SPU)
gray	745-811	200 (50)
blue	745-814	200 (50)
light gray	745-813	200 (50)
green-yellow	745-817	200 (50)
light green	745-818	200 (50)

Color	Item No.	PU (SPU)
gray	745-821	200 (50)
blue	745-824	200 (50)
light gray	745-823	200 (50)
green-yellow	745-827	200 (50)
light green	745-828	200 (50)



Accessories; for all products on this page



End plate; Width: 1.5 mm; Snap-on type

Color	Item No.	PU (SPU)
gray	745-100	1000 (100)

End plate; Width: 7.9 mm; Screw mount

Color	Item No.	PU (SPU)
gray	745-140	500 (100)

End plate; Width: 7.3 mm; Screw mount

Color	Item No.	PU (SPU)
gray	745-145	500 (100)

PU = Packaging Unit; SPU = Subpackaging Unit; Dimensions in mm

Other versions (or variants) can be requested from WAGO Sales or configured at <https://configurator.wago.com/>.

- Versions for Ex e II and Ex i
- Other colors

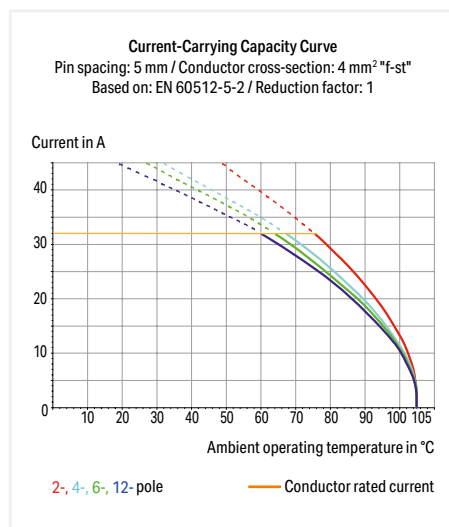
PCB terminal block ▶ 745 Series

CAGE CLAMP® ▶ Actuation type: Operating tool ▶ 4 mm² ▶ Number of jumper slots: 1 ▶ Color: gray

1



- PCB terminal strips with screwdriver-actuated CAGE CLAMP® connection
- Versions with Ex approval
- Common and distribute potentials via comb-style jumper bars
- Double solder pins for high mechanical stability
- Custom color combinations
- Integrated testing tap
- Marker slot for Mini-WSB markers

**Electrical Data**

Pin spacing	5 mm / 0.197 inch			7.5 mm / 0.295 inch			10 mm / 0.394 inch		
Ratings per	IEC/EN 60664-1								
Overvoltage category	III	III	II	III	III	II	III	III	II
Pollution degree	3	2	2	3	2	2	3	2	2
Rated voltage	320 V	320 V	630 V	500 V	630 V	1000 V	630 V	1000 V	1000 V
Rated impulse voltage	4 kV	4 kV	4 kV	6 kV	6 kV	6 kV	8 kV	8 kV	8 kV
Rated current	32 A	32 A	32 A	32 A	32 A	32 A	32 A	32 A	32 A
Approbations per	UL 1059			UL 1059			UL 1059		
Use group	B	C	D	B	C	D	B	C	D
Rated voltage	300 V	-	300 V	300 V	150 V	300 V	300 V	150 V	300 V
Rated current	20 A	-	10 A	20 A	20 A	10 A	20 A	20 A	10 A
Approbations per	CSA			CSA			CSA		
Use group	B	C	D	B	C	D	B	C	D
Rated voltage	300 V	-	300 V	300 V	150 V	300 V	300 V	150 V	300 V
Rated current	20 A	-	10 A	20 A	20 A	10 A	20 A	20 A	10 A

Connection Data

Connection technology	CAGE CLAMP®
Strip length	8 ... 9 mm / 0.31 ... 0.35 inch
Conductor connection direction to PCB	45 °
Solid conductor	0.08 ... 4 mm ² / 28 ... 12 AWG
Fine-stranded conductor	0.08 ... 4 mm ² / 28 ... 12 AWG
Fine-stranded conductor; with insulated ferrule	0.25 ... 2.5 mm ²
Fine-stranded conductor; with uninsulated ferrule	0.25 ... 2.5 mm ²

Material Data

Material group	I
Insulation material	Polyamide (PA66)
Flammability class per UL94	V0
Clamping spring material	Chrome nickel spring steel (CrNi)
Contact material	Electrolytic copper (E _{cu})
Contact plating	Tin-plated

Mechanical Data

Solder pin arrangement	Over the entire terminal strip (in-line)
Solder pin length	4 mm
Solder pin dimensions	0.8 x 1.2 mm
Drilled hole diameter with tolerance	1.5 ^(+0.1) mm

Environmental Requirements

Limit temperature range	-60 ... +105 °C
-------------------------	-----------------

Ferrule	Page 879
Jumper	Page 259
Marking	Page 862
Test and measurement	Page 886
Tool	Page 870

See technical section for further information

For approvals and corresponding ratings, visit www.wago.com

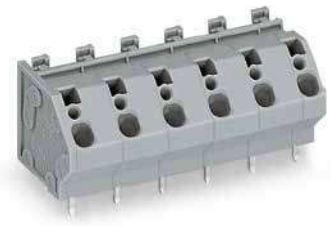
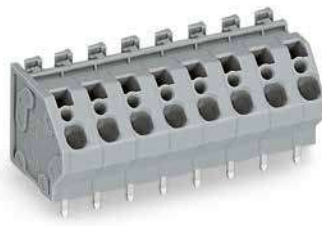
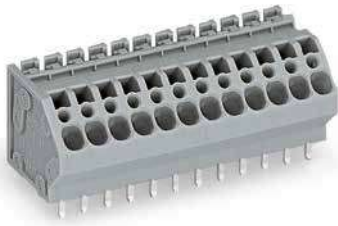
PCB terminal block ▶ 745 Series

CAGE CLAMP® ▶ Actuation type: Operating tool ▶ 4 mm² ▶ Number of jumper slots: 1 ▶ Color: gray

Pin spacing: 5 mm / 0.197 inch

Pin spacing: 7.5 mm / 0.295 inch

Pin spacing: 10 mm / 0.394 inch



745-112

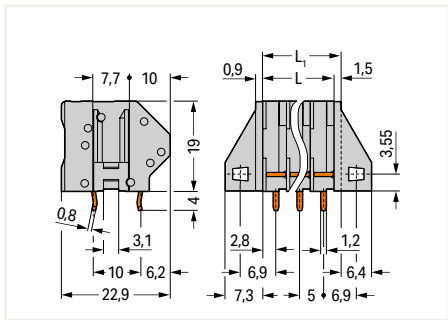
745-158

745-206

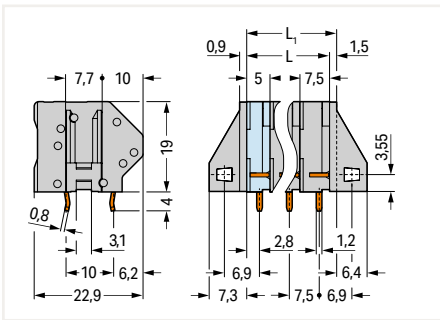
Pole No.	Item No.	PU
2	745-102	230
3	745-103	160
4	745-104	120
5	745-105	100
6	745-106	80
7	745-107	70
8	745-108	60
9	745-109	50
10	745-110	50
12	745-112	40

Pole No.	Item No.	PU
2	745-152	180
3	745-153	120
4	745-154	90
5	745-155	70
6	745-156	60
7	745-157	50
8	745-158	40
9	745-159	40
10	745-160	30
12	745-162	30

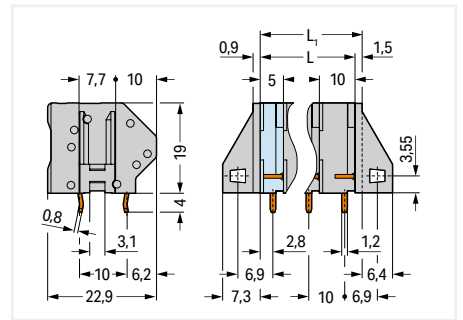
Pole No.	Item No.	PU
2	745-202	160
3	745-203	100
4	745-204	70
5	745-205	50
6	745-206	40
7	745-207	40
8	745-208	30
9	745-209	30
10	745-210	20
12	745-212	20



L = (pole no. - 1) x pin spacing + 5 mm
 L₁ = L + 1.5 mm ± version **without** mounting flange



L = (pole no. - 1) x pin spacing + 5 mm
 L₁ = L + 1.5 mm ± version **without** mounting flange



L = (pole no. - 1) x pin spacing + 5 mm
 L₁ = L + 1.5 mm ± version **without** mounting flange

PU = Packaging Unit; SPU = Subpackaging Unit; Dimensions in mm

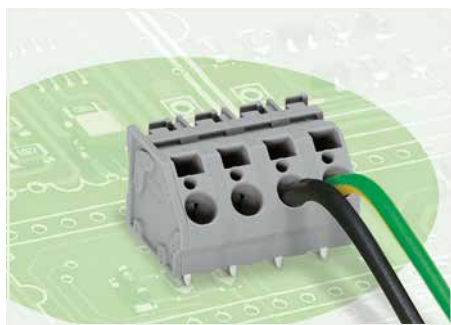
Other versions (or variants) can be requested from WAGO Sales or configured at <https://configurator.wago.com/>.

- Other pole numbers
- Versions for Ex e II and Ex i
- Other colors
- Mixed-color PCB connector strips
- Versions with mounting flanges
- Direct marking

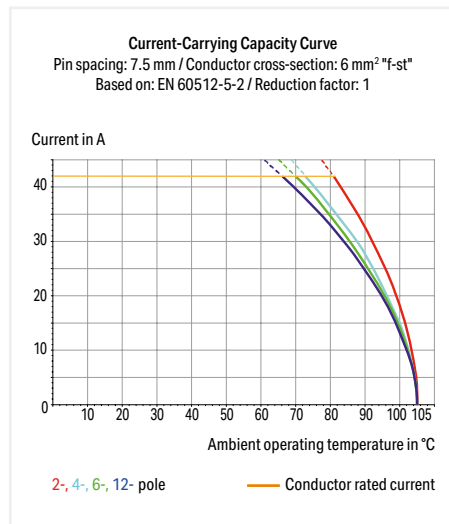
PCB terminal block ▶ 745 Series

CAGE CLAMP® ▶ Actuation type: Operating tool ▶ 6 mm² ▶ Color: gray

1



- Terminal strips with screwdriver-actuated CAGE CLAMP® connection
- Versions with Ex approval
- Unrestricted UL approval up to 600 V with 12.5 mm pin spacing
- Double solder pins for high mechanical stability
- Custom color combinations
- Integrated testing tap
- Marker slot for Mini-WSB and WMB markers

**Electrical Data**

Pin spacing	10 mm / 0.394 inch			12.5 mm / 0.492 inch; 15 mm / 0.591 inch		
	IEC/EN 60664-1			IEC/EN 60664-1		
Ratings per	III			III		
Overtoltage category	III	III	II	III	III	II
Pollution degree	3	2	2	3	2	2
Rated voltage	800 V	1000 V	1000 V	1000 V	1000 V	1000 V
Rated impulse voltage	8 kV	8 kV	8 kV	8 kV	8 kV	8 kV
Rated current	41 A	41 A	41 A	41 A	41 A	41 A
Approbations per	UL 1059			UL 1059		
Use group	B	C	D	B	C	D
Rated voltage	300 V	300 V	600 V	600 V	600 V	-
Rated current	10 A	10 A	5 A	30 A	30 A	-
Approbations per	CSA			CSA		
Use group	B	C	D	B	C	D
Rated voltage	300 V	300 V	600 V	600 V	600 V	-
Rated current	10 A	10 A	5 A	30 A	30 A	-

Connection Data

Connection technology	CAGE CLAMP®
Strip length	11 ... 12 mm / 0.43 ... 0.47 inch
Conductor connection direction to PCB	45 °
Solid conductor	0.2 ... 6 mm ² / 24 ... 10 AWG
Fine-stranded conductor	0.2 ... 6 mm ² / 24 ... 10 AWG
Fine-stranded conductor; with insulated ferrule	0.25 ... 4 mm ²
Fine-stranded conductor; with uninsulated ferrule	0.25 ... 4 mm ²

Material Data

Material group	I
Insulation material	Polyamide (PA66)
Flammability class per UL94	V0
Clamping spring material	Chrome nickel spring steel (CrNi)
Contact material	Electrolytic copper (E _{cu})
Contact plating	Tin-plated

Mechanical Data

Solder pin arrangement	Over the entire terminal strip (in-line)
Solder pin length	4.5 mm
Solder pin dimensions	1 x 1.4 mm
Drilled hole diameter with tolerance	1.8 ^(+0.1) mm

Environmental Requirements

Limit temperature range	-60 ... +105 °C
-------------------------	-----------------

Ferrule	Page 879
Jumper	Page 259
Marking	Page 862
Test and measurement	Page 886
Tool	Page 870

See technical section for further information

For approvals and corresponding ratings, visit www.wago.com

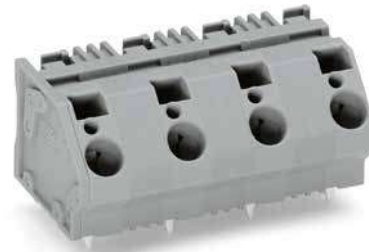
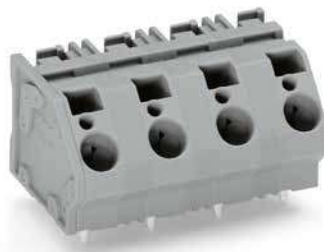
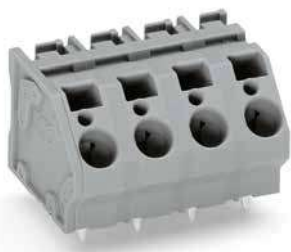
PCB terminal block ▶ 745 Series

CAGE CLAMP® ▶ Actuation type: Operating tool ▶ 6 mm² ▶ Color: gray

Pin spacing: 10 mm / 0.394 inch

Pin spacing: 12.5 mm / 0.492 inch

Pin spacing: 15 mm / 0.591 inch



745-1354

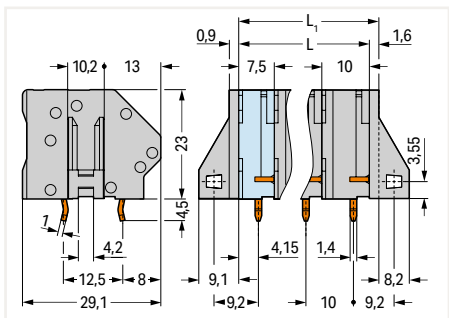
745-1404

745-1454

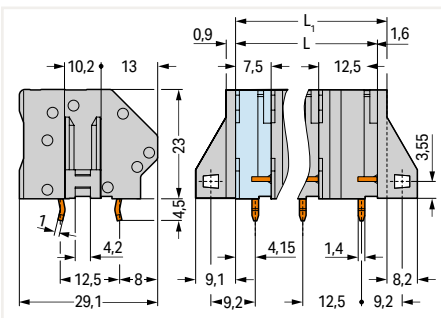
Pole No.	Item No.	PU
2	745-1352	104
3	745-1353	72
4	745-1354	48
5	745-1355	40
6	745-1356	32
7	745-1357	24
8	745-1358	24
9	745-1359	24
10	745-1360	16
12	745-1362	16

Pole No.	Item No.	PU
2	745-1402	80
3	745-1403	48
4	745-1404	40
5	745-1405	32
6	745-1406	24
7	745-1407	24
8	745-1408	16
9	745-1409	16
10	745-1410	16
12	745-1412	8

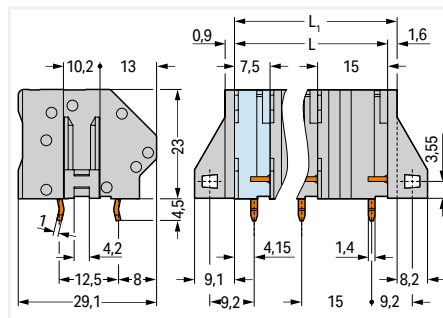
Pole No.	Item No.	PU
2	745-1452	64
3	745-1453	40
4	745-1454	32
5	745-1455	24
6	745-1456	16
7	745-1457	16
8	745-1458	16
9	745-1459	8
10	745-1460	8
12	745-1462	8



L = (pole no. - 1) x pin spacing + 7.5 mm
 L₁ = L + 1.6 mm Δ version **without** mounting flange



L = (pole no. - 1) x pin spacing + 7.5 mm
 L₁ = L + 1.6 mm Δ version **without** mounting flange



L = (pole no. - 1) x pin spacing + 7.5 mm
 L₁ = L + 1.6 mm Δ version **without** mounting flange

PU = Packaging Unit; SPU = Subpackaging Unit; Dimensions in mm

Other versions (or variants) can be requested from WAGO Sales or configured at <https://configurator.wago.com/>.

- Other pole numbers
- Versions for Ex e II and Ex i
- Other colors
- Mixed-color PCB connector strips
- Versions with mounting flanges
- Direct marking

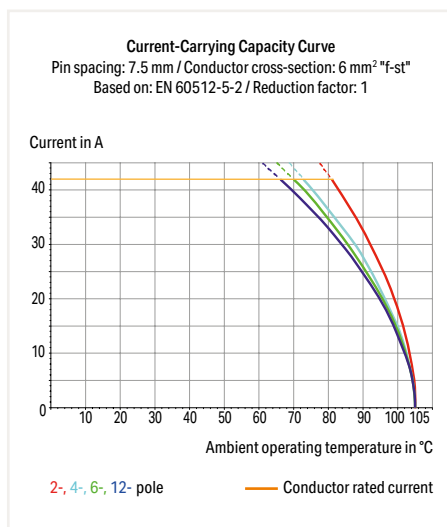
Stackable PCB terminal block ▶ 745 Series

CAGE CLAMP® ▶ Actuation type: Operating tool ▶ 6 mm² ▶ Number of jumper slots: 1

1



- Modular terminal blocks with screwdriver-actuated CAGE CLAMP® for custom terminal strip assemblies
- Versions with Ex approval
- Common and distribute potentials via comb-style jumper bars
- Double solder pins for high mechanical stability
- Integrated testing tap
- Marker slot for Mini-WSB markers

**Electrical Data**

Pin spacing	7.5 mm / 0.295 inch			10 mm / 0.394 inch		
Ratings per	IEC/EN 60664-1					
Overvoltage category	III	III	II	III	III	II
Pollution degree	3	2	2	3	2	2
Rated voltage	500 V	630 V	1000 V	630 V	1000 V	1000 V
Rated impulse voltage	6 kV	6 kV	6 kV	8 kV	8 kV	8 kV
Rated current	41 A	41 A	41 A	41 A	41 A	41 A
Approbations per	UL 1059			UL 1059		
Use group	B	C	D	B	C	D
Rated voltage	300 V	150 V	300 V	300 V	150 V	300 V
Rated current	30 A	30 A	10 A	30 A	30 A	10 A
Approbations per	CSA			CSA		
Use group	B	C	D	B	C	D
Rated voltage	300 V	150 V	300 V	300 V	150 V	300 V
Rated current	30 A	30 A	10 A	30 A	30 A	10 A

Connection Data

Connection technology	CAGE CLAMP®
Strip length	11 ... 12 mm / 0.43 ... 0.47 inch
Conductor connection direction to PCB	45 °
Solid conductor	0.2 ... 6 mm ² / 24 ... 10 AWG
Fine-stranded conductor	0.2 ... 6 mm ² / 24 ... 10 AWG
Fine-stranded conductor; with insulated ferrule	0.25 ... 4 mm ²
Fine-stranded conductor; with uninsulated ferrule	0.25 ... 4 mm ²

Material Data

Material group	I
Insulation material	Polyamide (PA66)
Flammability class per UL94	V0
Clamping spring material	Chrome nickel spring steel (CrNi)
Contact material	Electrolytic copper (E _{cu})
Contact plating	Tin-plated

Mechanical Data

Solder pin arrangement	Within the terminal block (in-line)
Solder pin length	4.5 mm
Solder pin dimensions	1 x 1.4 mm
Drilled hole diameter with tolerance	1.8 ^(+0.1) mm

Environmental Requirements

Limit temperature range	-60 ... +105 °C
-------------------------	-----------------

Ferrule	Page 879
Jumper	Page 259
Marking	Page 862
Test and measurement	Page 886
Tool	Page 870

See technical section for further information

For approvals and corresponding ratings, visit www.wago.com

Stackable PCB terminal block ▶ 745 Series

CAGE CLAMP® ▶ Actuation type: Operating tool ▶ 6 mm² ▶ Number of jumper slots: 1

Pin spacing: 7.5 mm / 0.295 inch

Pin spacing: 10 mm / 0.394 inch

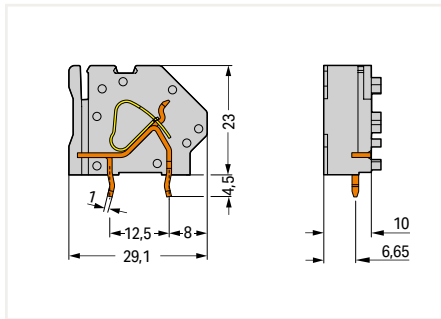
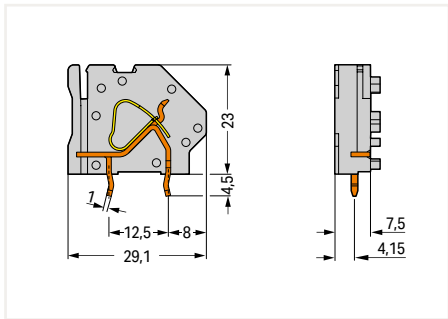


745-831

745-841

Color	Item No.	PU (SPU)
gray	745-831	100 (50)
blue	745-834	100 (50)
light gray	745-833	100 (50)
green-yellow	745-837	100 (50)
light green	745-838	100 (50)

Color	Item No.	PU (SPU)
gray	745-841	100 (50)
blue	745-844	100 (50)
light gray	745-843	100 (50)
green-yellow	745-847	100 (50)
light green	745-848	100 (50)



Accessories; for all products on this page



End plate; Width: 1.6 mm; Snap-on type

Color	Item No.	PU (SPU)
gray	745-300	500 (100)



Intermediate plate; Extends pin spacing; Width: 2.5 mm / 0.098 inch

Color	Item No.	PU (SPU)
gray	745-338	500 (50)



End plate; Width: 9.8 mm; Screw mount

Color	Item No.	PU (SPU)
gray	745-340	200 (50)



End plate; Width: 9.1 mm; Screw mount

Color	Item No.	PU (SPU)
gray	745-345	200 (50)

PU = Packaging Unit; SPU = Subpackaging Unit; Dimensions in mm

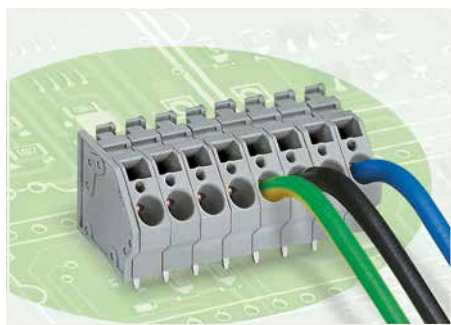
Other versions (or variants) can be requested from WAGO Sales or configured at <https://configurator.wago.com/>.

- Versions for Ex e II and Ex i
- Other colors

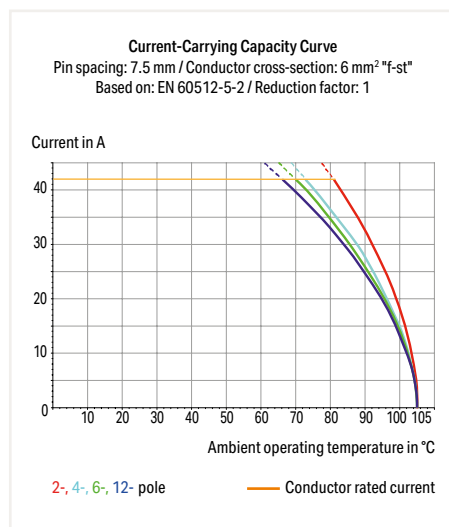
PCB terminal block ▶ 745 Series

CAGE CLAMP® ▶ Actuation type: Operating tool ▶ 6 mm² ▶ Number of jumper slots: 1 ▶ Color: gray

1



- PCB terminal strips with screwdriver-actuated CAGE CLAMP® connection
- Versions with Ex approval
- Common and distribute potentials via comb-style jumper bars
- Double solder pins for high mechanical stability
- Custom color combinations
- Integrated testing tap
- Marker slot for Mini-WSB markers



Electrical Data

Pin spacing	7.5 mm / 0.295 inch			10 mm / 0.394 inch		
Ratings per	IEC/EN 60664-1					
Overvoltage category	III	III	II	III	III	II
Pollution degree	3	2	2	3	2	2
Rated voltage	500 V	630 V	1000 V	630 V	1000 V	1000 V
Rated impulse voltage	6 kV	6 kV	6 kV	8 kV	8 kV	8 kV
Rated current	41 A	41 A	41 A	41 A	41 A	41 A
Approbations per	UL 1059			UL 1059		
Use group	B	C	D	B	C	D
Rated voltage	300 V	150 V	300 V	300 V	150 V	300 V
Rated current	30 A	30 A	10 A	30 A	30 A	10 A
Approbations per	CSA			CSA		
Use group	B	C	D	B	C	D
Rated voltage	300 V	150 V	300 V	300 V	150 V	300 V
Rated current	30 A	30 A	10 A	30 A	30 A	10 A

Connection Data

Connection technology	CAGE CLAMP®
Strip length	11 ... 12 mm / 0.43 ... 0.47 inch
Conductor connection direction to PCB	45 °
Solid conductor	0.2 ... 6 mm ² / 24 ... 10 AWG
Fine-stranded conductor	0.2 ... 6 mm ² / 24 ... 10 AWG
Fine-stranded conductor; with insulated ferrule	0.25 ... 4 mm ²
Fine-stranded conductor; with uninsulated ferrule	0.25 ... 4 mm ²

Material Data

Material group	I
Insulation material	Polyamide (PA66)
Flammability class per UL94	V0
Clamping spring material	Chrome nickel spring steel (CrNi)
Contact material	Electrolytic copper (E _{cu})
Contact plating	Tin-plated

Mechanical Data

Solder pin arrangement	Over the entire terminal strip (in-line)
Solder pin length	4.5 mm
Solder pin dimensions	1 x 1.4 mm
Drilled hole diameter with tolerance	1.8 ^(±0.1) mm

Environmental Requirements

Limit temperature range	-60 ... +105 °C
-------------------------	-----------------

Ferrule	Page 879
Jumper	Page 259
Marking	Page 862
Test and measurement	Page 886
Tool	Page 870

See technical section for further information

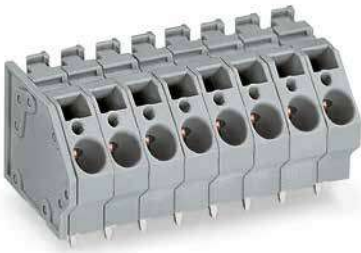
For approvals and corresponding ratings, visit www.wago.com

PCB terminal block ▶ 745 Series

CAGE CLAMP® ▶ Actuation type: Operating tool ▶ 6 mm² ▶ Number of jumper slots: 1 ▶ Color: gray

Pin spacing: 7.5 mm / 0.295 inch

Pin spacing: 10 mm / 0.394 inch

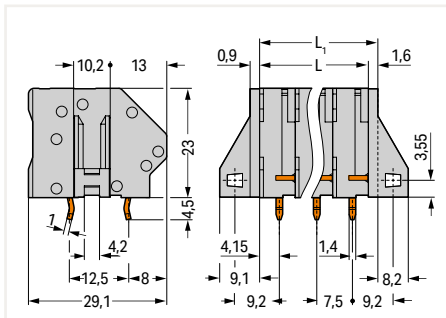


745-308

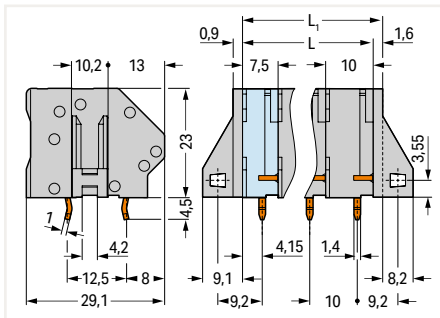
745-357

Pole No.	Item No.	PU
2	745-302	128
3	745-303	88
4	745-304	64
5	745-305	48
6	745-306	40
7	745-307	40
8	745-308	32
9	745-309	24
10	745-310	24
12	745-312	16

Pole No.	Item No.	PU
2	745-352	104
3	745-353	72
4	745-354	48
5	745-355	40
6	745-356	32
7	745-357	24
8	745-358	24
9	745-359	24
10	745-360	16
12	745-362	16



$L = (\text{pole no.} - 1) \times \text{pin spacing} + 7.5 \text{ mm}$
 $L_1 = L + 1.6 \text{ mm} \triangleq \text{version without mounting flange}$



$L = (\text{pole no.} - 1) \times \text{pin spacing} + 7.5 \text{ mm}$
 $L_1 = L + 1.6 \text{ mm} \triangleq \text{version without mounting flange}$

PU = Packaging Unit; SPU = Subpackaging Unit; Dimensions in mm

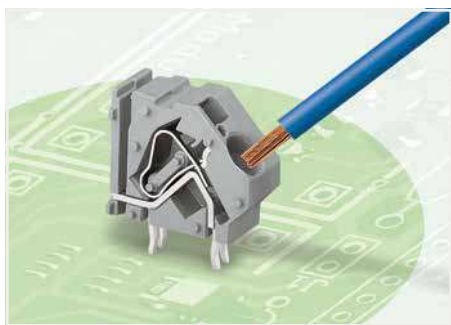
Other versions (or variants) can be requested from WAGO Sales or configured at <https://configurator.wago.com/>.

- Other pole numbers
- Versions for Ex e II and Ex i
- Other colors
- Mixed-color PCB connector strips
- Versions with mounting flanges
- Direct marking

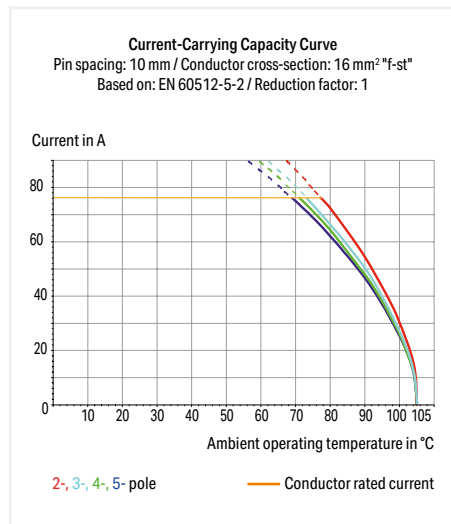
Stackable PCB terminal block ▶ 745 Series

CAGE CLAMP® ▶ Actuation type: Operating tool ▶ 16 mm² ▶ Number of jumper slots: 1

1



- Modular PCB terminal blocks with screwdriver-actuated CAGE CLAMP® for custom PCB terminal strip assemblies
- Versions with Ex approval
- Unrestricted UL approval up to 600 V with 20 mm pin spacing
- Common and distribute potentials via comb-style jumper bars
- Four solder pins for high mechanical stability
- Integrated testing tap
- Marker slot for Mini-WSB markers

**Electrical Data**

Pin spacing	10 mm / 0.394 inch			15 mm / 0.591 inch			20 mm / 0.787 inch		
Ratings per	IEC/EN 60664-1								
Overvoltage category	III	III	II	III	III	II	III	III	II
Pollution degree	3	2	2	3	2	2	3	2	2
Rated voltage	320 V	320 V	630 V	630 V	1000 V	1000 V	1000 V	1000 V	1000 V
Rated impulse voltage	4 kV	4 kV	4 kV	8 kV	8 kV	8 kV	12 kV	12 kV	12 kV
Rated current	76 A	76 A	76 A	76 A	76 A	76 A	76 A	76 A	76 A
Approbations per	UL 1059			UL 1059			UL 1059		
Use group	B	C	D	B	C	D	B	C	D
Rated voltage	300 V	-	300 V	300 V	300 V	600 V	600 V	600 V	-
Rated current	10 A	-	10 A	65 A	65 A	5 A	65 A	65 A	-
Approbations per	CSA			CSA			CSA		
Use group	B	C	D	B	C	D	B	C	D
Rated voltage	300 V	-	300 V	300 V	300 V	600 V	600 V	600 V	-
Rated current	10 A	-	10 A	65 A	65 A	5 A	65 A	65 A	-

Connection Data

Connection technology	CAGE CLAMP®
Strip length	12 ... 13 mm / 0.47 ... 0.51 inch
Conductor connection direction to PCB	45°
Solid conductor	0.2 ... 16 mm ² / 24 ... 6 AWG
Fine-stranded conductor	0.2 ... 16 mm ² / 24 ... 6 AWG
Fine-stranded conductor; with insulated ferrule	0.25 ... 10 mm ²
Fine-stranded conductor; with uninsulated ferrule	0.25 ... 10 mm ²

Material Data

Material group	I
Insulation material	Polyamide (PA66)
Flammability class per UL94	V0
Clamping spring material	Chrome nickel spring steel (CrNi)
Contact material	Electrolytic copper (E _{cu})
Contact plating	Tin-plated

Mechanical Data

Solder pin arrangement	Over the entire terminal strip (in-line)
Solder pin length	6.5 mm
Solder pin dimensions	1.2 x 1.6 mm
Drilled hole diameter with tolerance	2.2 ^(+0.1) mm

Environmental Requirements

Limit temperature range	-60 ... +105 °C
-------------------------	-----------------

Ferrule Page 879

Jumper Page 259

Marking Page 862

Test and measurement Page 886

Tool Page 870

See technical section for further information

For approvals and corresponding ratings, visit www.wago.com

Stackable PCB terminal block ▶ 745 Series

CAGE CLAMP® ▶ Actuation type: Operating tool ▶ 16 mm² ▶ Number of jumper slots: 1

Pin spacing: 10 mm / 0.394 inch

Pin spacing: 15 mm / 0.591 inch

Pin spacing: 20 mm / 0.787 inch



745-851/006-000



745-871/006-000

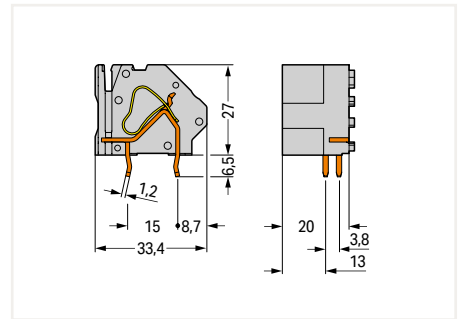
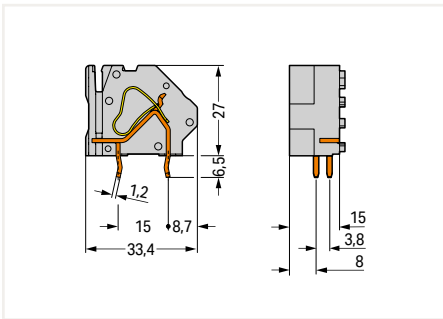
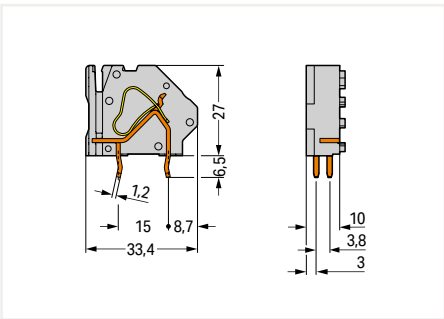


745-881/006-000

Color	Item No.	PU (SPU)
gray	745-851/006-000	100 (100)
blue	745-854/006-000	100 (100)
light gray	745-853/006-000	100
green-yellow	745-857/006-000	100 (100)
light green	745-858/006-000	100

Color	Item No.	PU (SPU)
gray	745-871/006-000	100 (100)
blue	745-874/006-000	100 (100)
light gray	745-873/006-000	100 (100)
green-yellow	745-877/006-000	100 (100)
light green	745-878/006-000	100

Color	Item No.	PU (SPU)
gray	745-881/006-000	50 (50)
blue	745-884/006-000	50 (50)
light gray	745-883/006-000	50 (50)
green-yellow	745-887/006-000	50 (50)
light green	745-888/006-000	50



Accessories; for all products on this page



End plate; Width: 1.7 mm; snap-on type		
Color	Item No.	PU (SPU)
gray	745-500	500 (100)



End plate; Width: 10.5 mm; Screw mount		
	Item No.	PU (SPU)
	745-540	200 (50)
	745-545	200 (50)

PU = Packaging Unit; SPU = Subpackaging Unit; Dimensions in mm

Other versions (or variants) can be requested from WAGO Sales or configured at <https://configurator.wago.com/>.

- Versions for Ex e II and Ex i
- Other colors
- Solder pin length: 5 mm

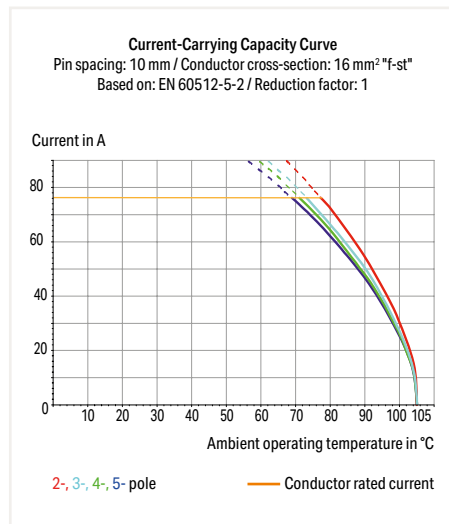
PCB terminal block ▶ 745 Series

CAGE CLAMP® ▶ Actuation type: Operating tool ▶ 16 mm² ▶ Number of jumper slots: 1 ▶ Color: gray

1



- PCB terminal strips with screwdriver-actuated CAGE CLAMP® connection
- Versions with Ex approval
- Unrestricted UL approval up to 600 V with 20 mm pin spacing
- Common and distribute potentials via comb-style jumper bars
- Four solder pins for high mechanical stability
- Integrated testing tap
- Marker slot for Mini-WSB markers

**Electrical Data**

Pin spacing	10 mm / 0.394 inch			15 mm / 0.591 inch			20 mm / 0.787 inch		
Ratings per	IEC/EN 60664-1								
Overvoltage category	III	III	II	III	III	II	III	III	II
Pollution degree	3	2	2	3	2	2	3	2	2
Rated voltage	320 V	320 V	630 V	630 V	1000 V	1000 V	1000 V	1000 V	1000 V
Rated impulse voltage	4 kV	4 kV	4 kV	8 kV	8 kV	8 kV	12 kV	12 kV	12 kV
Rated current	76 A	76 A	76 A	76 A	76 A	76 A	76 A	76 A	76 A
Approbations per	UL 1059			UL 1059			UL 1059		
Use group	B	C	D	B	C	D	B	C	D
Rated voltage	300 V	-	300 V	300 V	300 V	600 V	600 V	600 V	-
Rated current	10 A	-	10 A	65 A	65 A	5 A	65 A	65 A	-
Approbations per	CSA			CSA			CSA		
Use group	B	C	D	B	C	D	B	C	D
Rated voltage	300 V	-	300 V	300 V	300 V	600 V	600 V	600 V	-
Rated current	10 A	-	10 A	65 A	65 A	5 A	65 A	65 A	-

Connection Data

Connection technology	CAGE CLAMP®
Strip length	12 ... 13 mm / 0.47 ... 0.51 inch
Conductor connection direction to PCB	45°
Solid conductor	0.2 ... 16 mm ² / 24 ... 6 AWG
Fine-stranded conductor	0.2 ... 16 mm ² / 24 ... 6 AWG
Fine-stranded conductor; with insulated ferrule	0.25 ... 10 mm ²
Fine-stranded conductor; with uninsulated ferrule	0.25 ... 10 mm ²

Material Data

Material group	I
Insulation material	Polyamide (PA66)
Flammability class per UL94	V0
Clamping spring material	Chrome nickel spring steel (CrNi)
Contact material	Electrolytic copper (E _{cu})
Contact plating	Tin-plated

Mechanical Data

Solder pin arrangement	Over the entire terminal strip (in-line)
Solder pin length	6.5 mm
Solder pin dimensions	1.2 x 1.6 mm
Drilled hole diameter with tolerance	2.2 ^(+0.1) mm

Environmental Requirements

Limit temperature range	-60 ... +105 °C
-------------------------	-----------------

Ferrule	Page 879
Jumper	Page 259
Marking	Page 862
Test and measurement	Page 886
Tool	Page 870

See technical section for further information

For approvals and corresponding ratings, visit www.wago.com

PCB terminal block ▶ 745 Series

CAGE CLAMP® ▶ Actuation type: Operating tool ▶ 16 mm² ▶ Number of jumper slots: 1 ▶ Color: gray

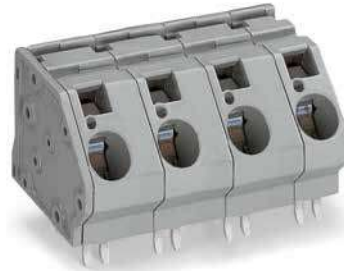
Pin spacing: 10 mm / 0.394 inch

Pin spacing: 15 mm / 0.591 inch

Pin spacing: 20 mm / 0.787 inch



745-504/006-000



745-604/006-000

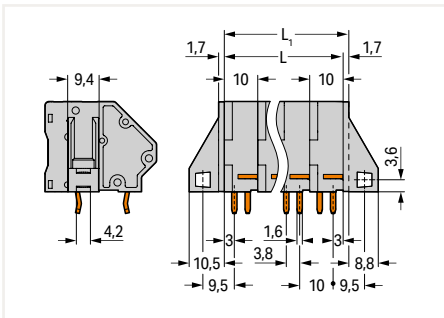


745-654/006-000

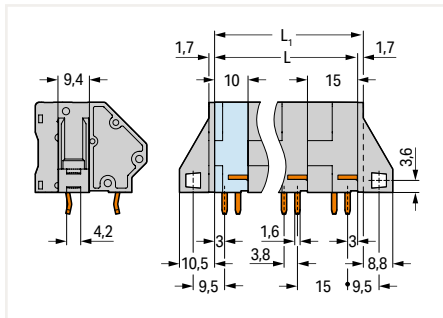
Pole No.	Item No.	PU
2	745-502/006-000	48
3	745-503/006-000	32
4	745-504/006-000	24
5	745-505/006-000	20

Pole No.	Item No.	PU
2	745-602/006-000	36
3	745-603/006-000	24
4	745-604/006-000	16
5	745-605/006-000	12

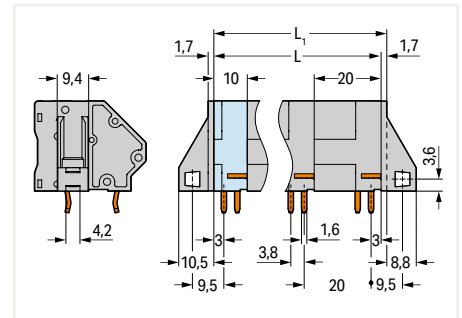
Pole No.	Item No.	PU
2	745-652/006-000	32
3	745-653/006-000	20
4	745-654/006-000	12
5	745-655/006-000	8



L = (pole no. - 1) x pin spacing + 10 mm
 $L_1 = L + 1.7 \text{ mm} \hat{=}$ version **without** mounting flange



L = (pole no. - 1) x pin spacing + 10 mm
 $L_1 = L + 1.7 \text{ mm} \hat{=}$ version **without** mounting flange



L = (pole no. - 1) x pin spacing + 10 mm
 $L_1 = L + 1.7 \text{ mm} \hat{=}$ version **without** mounting flange

PU = Packaging Unit; SPU = Subpackaging Unit; Dimensions in mm

Other versions (or variants) can be requested from WAGO Sales or configured at <https://configurator.wago.com/>.

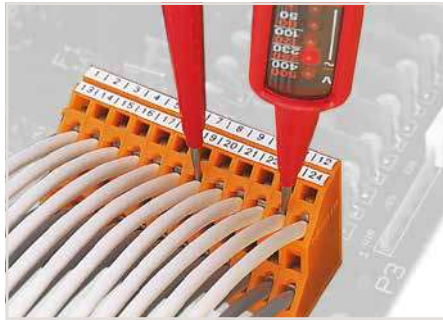
- Other pole numbers
- Versions for Ex e II and Ex i
- Other colors
- Mixed-color PCB connector strips
- Versions with mounting flanges
- Direct marking
- Solder pin length: 5 mm

736, 737 and 738 Series Description and Installation

1



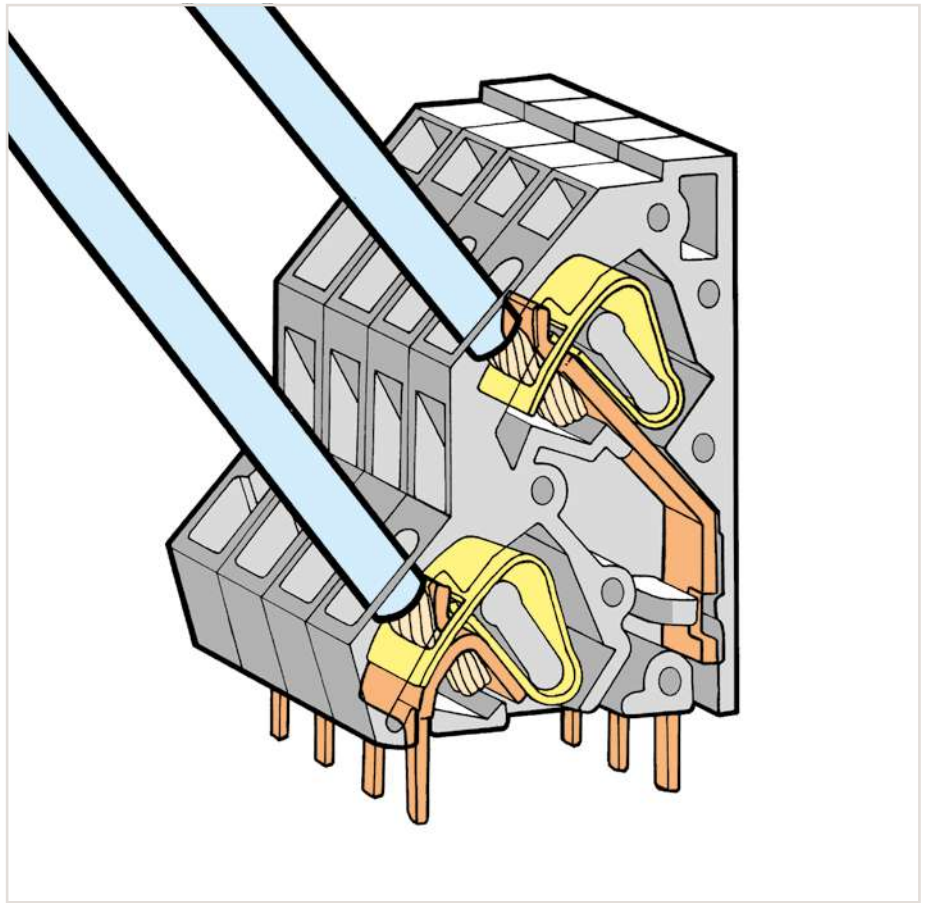
Inserting a conductor via 3.5 mm screwdriver.
Screwdriver actuation parallel to conductor entry.



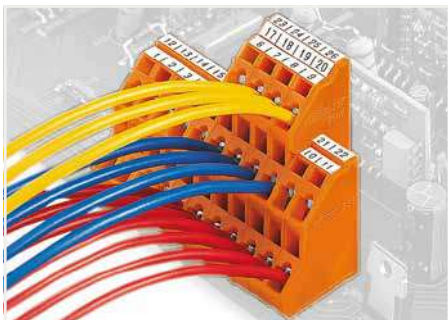
Testing via contact area above the conductors.



Low space requirements due to high-density design
– double-deck PCB terminal strip – 736 Series.



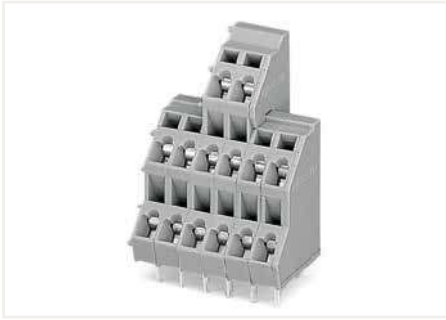
736 Series



Labeling with self-adhesive marking strips.

736, 737 and 738 Series Combination of Multilevel PCB Terminal Strips

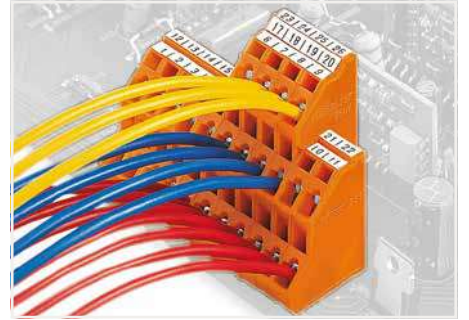
1



Possible combination:
Double- (736 Series) and triple-deck PCB terminal strips (737 Series) upon request
Combination of Multilevel PCB Terminal Strips



Possible combination:
Double- (736 Series) and triple-deck PCB terminal strips (737 Series) upon request



Possible combination:
Double- (737 Series) and quadruple-deck PCB terminal strips (738 Series) upon request

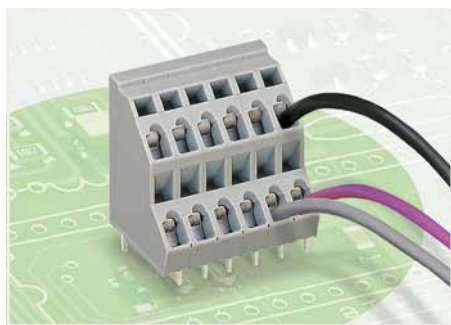


Possible combination:
Double- (737 Series) and quadruple-deck PCB terminal strips (738 Series) upon request

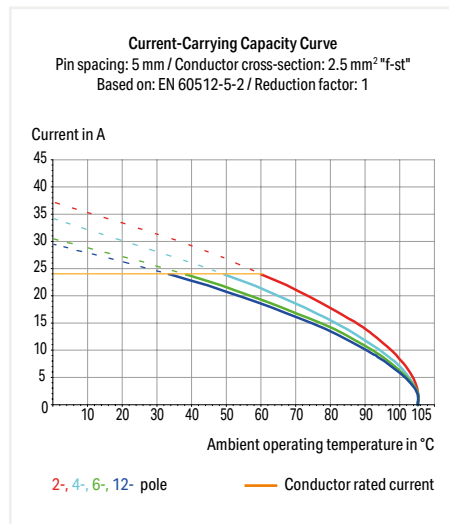
Double-deck PCB terminal block ▶ 736 Series

CAGE CLAMP® ▶ Actuation type: Operating tool ▶ 2.5 mm² ▶ Color: gray

1



- PCB terminal strips with screwdriver-actuated CAGE CLAMP® connection
- High-density, double-deck design for space-efficient wiring of multiple conductors in confined areas
- Custom marking for all termination levels



Electrical Data									
Pin spacing	5 mm / 0.197 inch			7.5 mm / 0.295 inch			10 mm / 0.394 inch		
between the modules									
Ratings per	IEC/EN 60664-1			IEC/EN 60664-1			IEC/EN 60664-1		
Overtoltage category	III	III	II	III	III	II	III	III	II
Pollution degree	3	2	2	3	2	2	3	2	2
Rated voltage	250 V	320 V	630 V	400 V	630 V	1000 V	630 V	1000 V	1000 V
Rated impulse voltage	4 kV	4 kV	4 kV	6 kV	6 kV	6 kV	8 kV	8 kV	8 kV
Rated current	21 A	21 A	21 A	21 A	21 A	21 A	21 A	21 A	21 A
Approbations per	UL 1059			UL 1059			UL 1059		
Use group	B	C	D	B	C	D	B	C	D
Rated voltage	300 V	-	300 V	300 V	-	300 V	300 V	-	300 V
Rated current	10 A	-	10 A	10 A	-	10 A	10 A	-	10 A
Approbations per	CSA			CSA			CSA		
Use group	B	C	D	B	C	D	B	C	D
Rated voltage	300 V	-	300 V	300 V	-	300 V	300 V	-	300 V
Rated current	10 A	-	10 A	10 A	-	10 A	10 A	-	10 A

between the decks									
Ratings per	IEC/EN 60664-1			IEC/EN 60664-1			IEC/EN 60664-1		
Overtoltage category	III	III	II	III	III	II	III	III	II
Pollution degree	3	2	2	3	2	2	3	2	2
Rated voltage	320 V	320 V	630 V	320 V	320 V	630 V	320 V	320 V	630 V
Rated impulse voltage	4 kV	4 kV	4 kV	4 kV	4 kV	4 kV	4 kV	4 kV	4 kV
Rated current	21 A	21 A	21 A	21 A	21 A	21 A	21 A	21 A	21 A

Connection Data	
Connection technology	CAGE CLAMP®
Strip length	5 ... 6 mm / 0.2 ... 0.24 inch
Conductor connection direction to PCB	45 °
Solid conductor	0.08 ... 2.5 mm ² / 28 ... 12 AWG
Fine-stranded conductor	0.08 ... 2.5 mm ² / 28 ... 12 AWG
Fine-stranded conductor; with insulated ferrule	0.25 ... 1.5 mm ²
Fine-stranded conductor; with uninsulated ferrule	0.25 ... 2.5 mm ²
Note (conductor cross-section)	12 AWG: THHN, THWN

Material Data	
Material group	I
Insulation material	Polyamide (PA66)
Flammability class per UL94	V0
Clamping spring material	Chrome nickel spring steel (CrNi)
Contact material	Electrolytic copper (E _{cu})
Contact plating	Tin-plated

Mechanical Data	
Solder pin length	4 mm
Solder pin dimensions	0.7 x 0.7 mm
Drilled hole diameter with tolerance	1.3 ^(+0.1) mm

Environmental Requirements	
Limit temperature range	-60 ... +105 °C

Ferrule Page 879

Marking Page 865

Test and measurement Page 260

Tool Page 870

Commoning strips Page 262

See technical section for further information

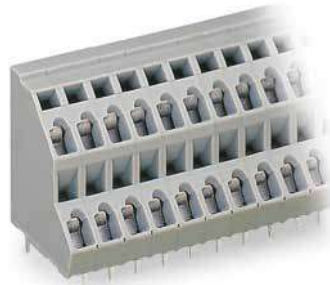
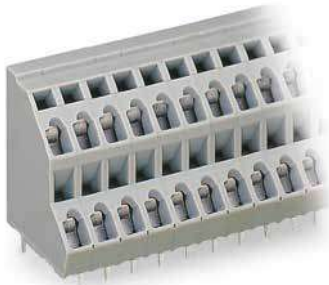
For approvals and corresponding ratings, visit www.wago.com

Double-deck PCB terminal block ▶ 736 Series CAGE CLAMP® ▶ Actuation type: Operating tool ▶ 2.5 mm² ▶ Color: gray

Pin spacing: 5 mm / 0.197 inch

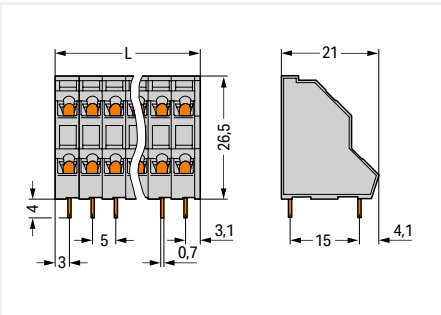
Solder pin arrangement Within the terminal block (in-line)

Solder pin arrangement Within the terminal block (staggered)

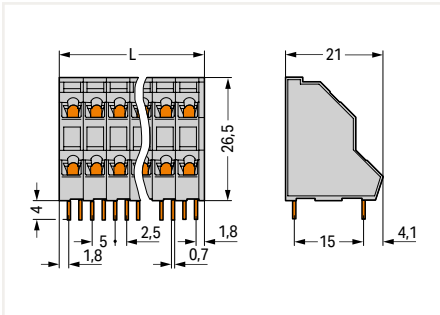


Pole No.	Distribution	Item No.	PU
4	2 x 2	736-102	161
6	2 x 3	736-103	112
8	2 x 4	736-104	84
12	2 x 6	736-106	56
16	2 x 8	736-108	42
24	2 x 12	736-112	28
32	2 x 16	736-116	21
48	2 x 24	736-124	14

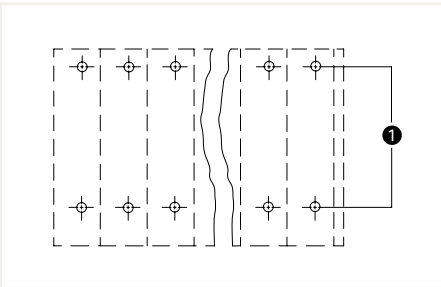
Pole No.	Distribution	Item No.	PU
4	2 x 2	736-202	161
6	2 x 3	736-203	112
8	2 x 4	736-204	84
12	2 x 6	736-206	56
16	2 x 8	736-208	42
24	2 x 12	736-212	28
32	2 x 16	736-216	21
48	2 x 24	736-224	14



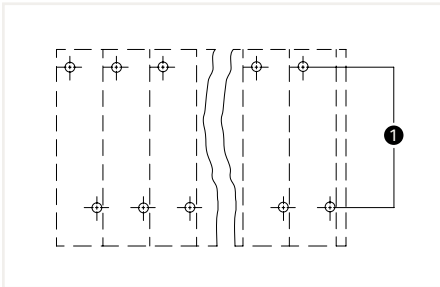
L = (pole no. x pin spacing) + 1 mm



L = (pole no. x pin spacing) + 1 mm



(1) Solder pins in line



(1) Solder pins staggered by half the pin spacing

PU = Packaging Unit; SPU = Subpackaging Unit; Dimensions in mm

Other versions (or variants) can be requested from WAGO Sales or configured at <https://configurator.wago.com/>.

- Other pole numbers
- Other colors
- Mixed-color PCB connector strips
- Direct marking

Double-deck PCB terminal block ▶ 736 Series

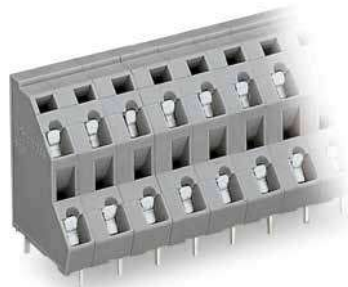
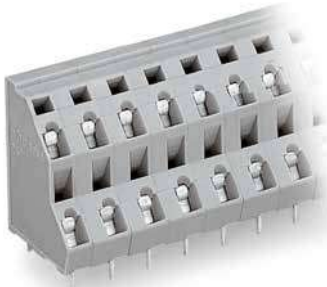
CAGE CLAMP® ▶ Actuation type: Operating tool ▶ 2.5 mm² ▶ Color: gray

Pin spacing: 7.5 mm / 0.295 inch

Solder pin arrangement Within the terminal block (in-line)

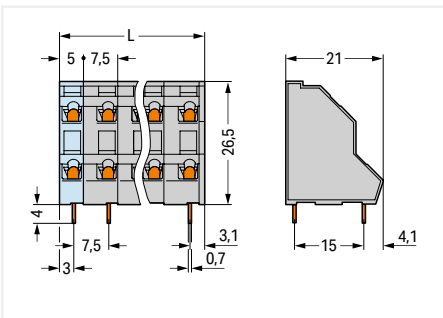
Solder pin arrangement Within the terminal block (staggered)

1

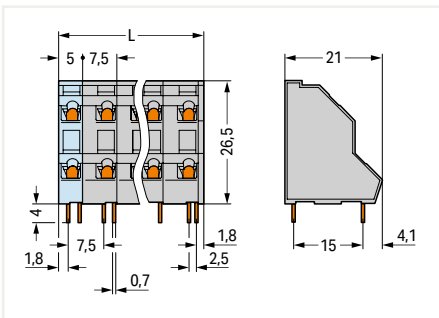


Pole No.	Distribution	Item No.	PU
4	2 x 2	736-502	133
6	2 x 3	736-503	84
8	2 x 4	736-504	63
12	2 x 6	736-506	42
16	2 x 8	736-508	28
24	2 x 12	736-512	21
32	2 x 16	736-516	14

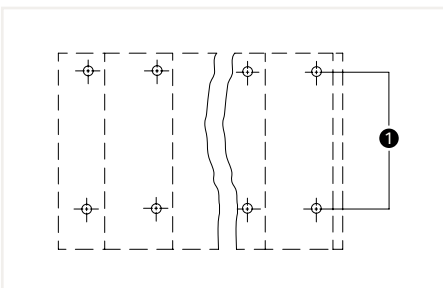
Pole No.	Distribution	Item No.	PU
4	2 x 2	736-552	133
6	2 x 3	736-553	84
8	2 x 4	736-554	63
12	2 x 6	736-556	42
16	2 x 8	736-558	28
24	2 x 12	736-562	21
32	2 x 16	736-566	14



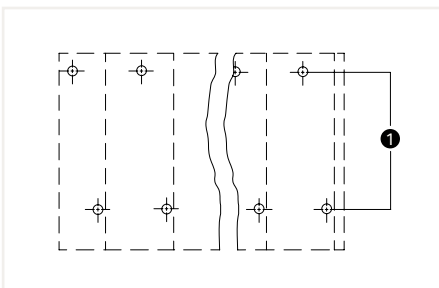
$L = (\text{pole no.} - 1) \times \text{pin spacing} + 5 \text{ mm} + 1 \text{ mm}$



$L = (\text{pole no.} - 1) \times \text{pin spacing} + 5 \text{ mm} + 1 \text{ mm}$



(1) Solder pins in line



(1) Solder pins staggered by half the pin spacing

PU = Packaging Unit; SPU = Subpackaging Unit; Dimensions in mm

Other versions (or variants) can be requested from WAGO Sales or configured at <https://configurator.wago.com/>.

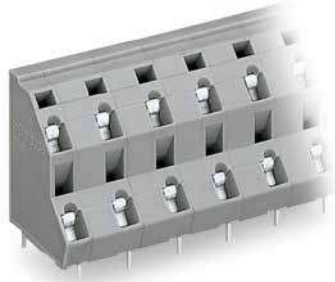
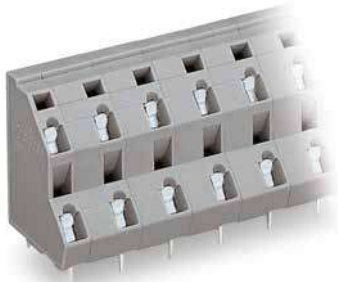
- Other pole numbers
- Other colors
- Mixed-color PCB connector strips
- Direct marking

Double-deck PCB terminal block ▶ 736 Series CAGE CLAMP® ▶ Actuation type: Operating tool ▶ 2.5 mm² ▶ Color: gray

Pin spacing: 10 mm / 0.394 inch

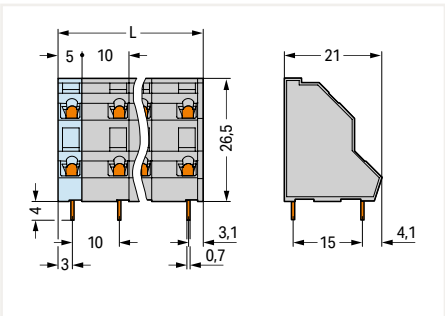
Solder pin arrangement Within the terminal block (in-line)

Solder pin arrangement Within the terminal block (staggered)

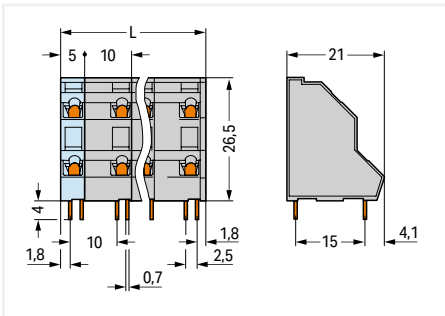


Pole No.	Distribution	Item No.	PU
4	2 x 2	736-702	112
6	2 x 3	736-703	70
8	2 x 4	736-704	49
12	2 x 6	736-706	28
16	2 x 8	736-708	21
24	2 x 12	736-712	14

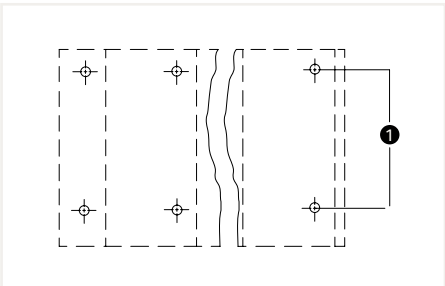
Pole No.	Distribution	Item No.	PU
4	2 x 2	736-752	112
6	2 x 3	736-753	70
8	2 x 4	736-754	49
12	2 x 6	736-756	28
16	2 x 8	736-758	21
24	2 x 12	736-762	14



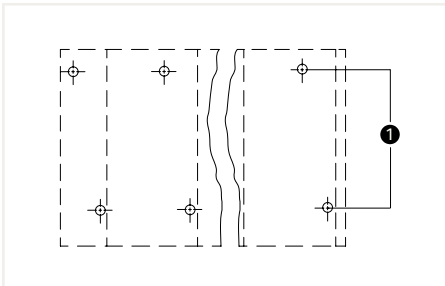
L = (pole no. - 1) x pin spacing + 5 mm + 1 mm



L = (pole no. - 1) x pin spacing + 5 mm + 1 mm



(1) Solder pins in line



(1) Solder pins staggered by half the pin spacing

PU = Packaging Unit; SPU = Subpackaging Unit; Dimensions in mm

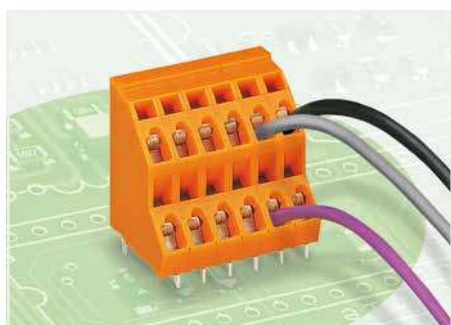
Other versions (or variants) can be requested from WAGO Sales or configured at <https://configurator.wago.com/>.

- Other pole numbers
- Other colors
- Mixed-color PCB connector strips
- Direct marking

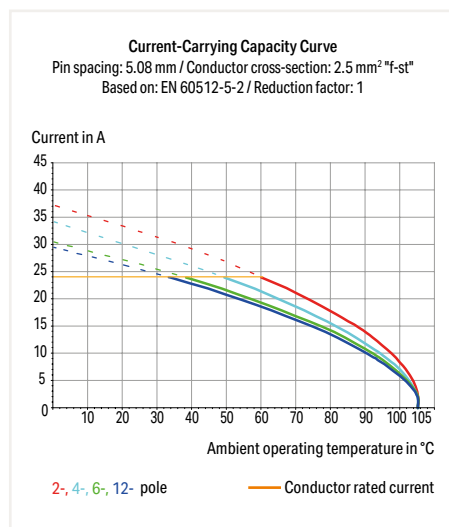
Double-deck PCB terminal block ▶ 736 Series

CAGE CLAMP® ▶ Actuation type: Operating tool ▶ 2.5 mm² ▶ Color: orange

1



- PCB terminal strips with screwdriver-actuated CAGE CLAMP® connection
- High-density, double-deck design for space-efficient wiring of multiple conductors in confined areas
- Custom marking for all termination levels



Electrical Data									
Pin spacing	5.08 mm / 0.2 inch			7.62 mm / 0.3 inch			10.16 mm / 0.4 inch		
between the modules									
Ratings per	IEC/EN 60664-1			IEC/EN 60664-1			IEC/EN 60664-1		
Overtoltage category	III	III	II	III	III	II	III	III	II
Pollution degree	3	2	2	3	2	2	3	2	2
Rated voltage	250 V	320 V	630 V	400 V	630 V	1000 V	630 V	1000 V	1000 V
Rated impulse voltage	4 kV	4 kV	4 kV	6 kV	6 kV	6 kV	8 kV	8 kV	8 kV
Rated current	21 A	21 A	21 A	21 A	21 A	21 A	21 A	21 A	21 A
between the decks									
Ratings per	UL 1059			UL 1059			UL 1059		
Use group	B	C	D	B	C	D	B	C	D
Rated voltage	300 V	-	300 V	300 V	-	300 V	300 V	-	300 V
Rated current	10 A	-	10 A	10 A	-	10 A	10 A	-	10 A
between the decks									
Ratings per	CSA			CSA			CSA		
Use group	B	C	D	B	C	D	B	C	D
Rated voltage	300 V	-	300 V	300 V	-	300 V	300 V	-	300 V
Rated current	10 A	-	10 A	10 A	-	10 A	10 A	-	10 A

between the decks									
Ratings per	IEC/EN 60664-1			IEC/EN 60664-1			IEC/EN 60664-1		
Overtoltage category	III	III	II	III	III	II	III	III	II
Pollution degree	3	2	2	3	2	2	3	2	2
Rated voltage	320 V	320 V	630 V	320 V	320 V	630 V	320 V	320 V	630 V
Rated impulse voltage	4 kV	4 kV	4 kV	4 kV	4 kV	4 kV	4 kV	4 kV	4 kV
Rated current	21 A	21 A	21 A	21 A	21 A	21 A	21 A	21 A	21 A

Connection Data	
Connection technology	CAGE CLAMP®
Strip length	5 ... 6 mm / 0.2 ... 0.24 inch
Conductor connection direction to PCB	45°
Solid conductor	0.08 ... 2.5 mm ² / 28 ... 12 AWG
Fine-stranded conductor	0.08 ... 2.5 mm ² / 28 ... 12 AWG
Fine-stranded conductor; with insulated ferrule	0.25 ... 1.5 mm ²
Fine-stranded conductor; with uninsulated ferrule	0.25 ... 2.5 mm ²
Note (conductor cross-section)	12 AWG: THHN, THWN

Material Data	
Material group	I
Insulation material	Polyamide (PA66)
Flammability class per UL94	V0
Clamping spring material	Chrome nickel spring steel (CrNi)
Contact material	Electrolytic copper (E _{cu})
Contact plating	Tin-plated

Mechanical Data	
Solder pin length	4 mm
Solder pin dimensions	0.7 x 0.7 mm
Drilled hole diameter with tolerance	1.3 ^(+0.1) mm

Environmental Requirements	
Limit temperature range	-60 ... +105 °C

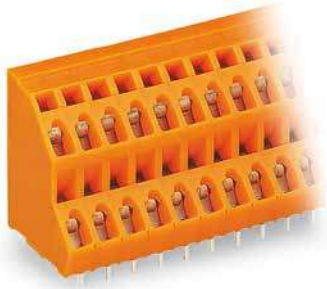
Ferrule	Page 879
Marking	Page 865
Test and measurement	Page 260
Tool	Page 870
Commoning strips	Page 262
See technical section for further information	
For approvals and corresponding ratings, visit www.wago.com	

Double-deck PCB terminal block ▶ 736 Series CAGE CLAMP® ▶ Actuation type: Operating tool ▶ 2.5 mm² ▶ Color: orange

Pin spacing: 5.08 mm / 0.2 inch

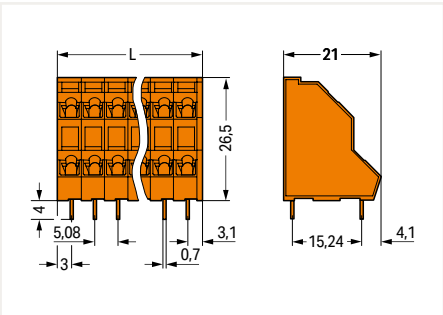
Solder pin arrangement Within the terminal block (in-line)

Solder pin arrangement Within the terminal block (staggered)

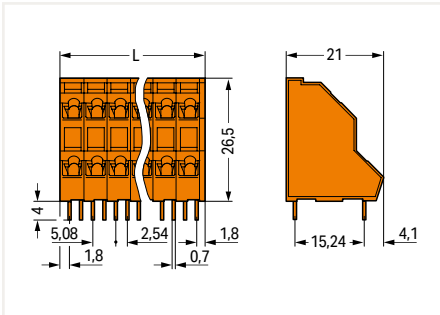


Pole No.	Distribution	Item No.	PU
4	2 x 2	736-302	161
6	2 x 3	736-303	112
8	2 x 4	736-304	84
12	2 x 6	736-306	56
16	2 x 8	736-308	42
24	2 x 12	736-312	28
32	2 x 16	736-316	21
48	2 x 24	736-324	14

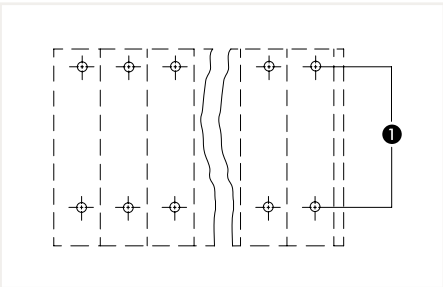
Pole No.	Distribution	Item No.	PU
4	2 x 2	736-402	161
6	2 x 3	736-403	112
8	2 x 4	736-404	84
12	2 x 6	736-406	56
16	2 x 8	736-408	42
24	2 x 12	736-412	28
32	2 x 16	736-416	21
48	2 x 24	736-424	14



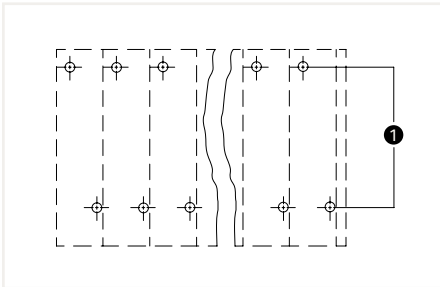
L = (pole no. x pin spacing) + 1 mm



L = (pole no. x pin spacing) + 1 mm



(1) Solder pins in line



(1) Solder pins staggered by half the pin spacing

PU = Packaging Unit; SPU = Subpackaging Unit; Dimensions in mm

Other versions (or variants) can be requested from WAGO Sales or configured at <https://configurator.wago.com/>.

- Other pole numbers
- Other colors
- Mixed-color PCB connector strips
- Direct marking

Double-deck PCB terminal block ▶ 736 Series

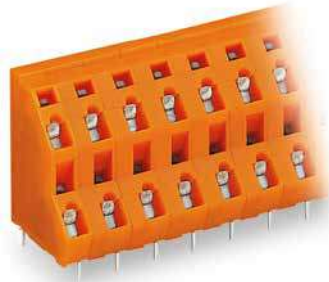
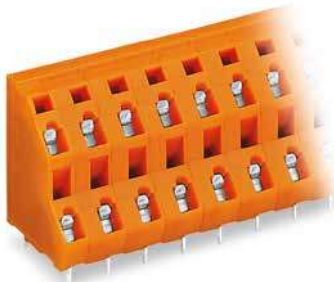
CAGE CLAMP® ▶ Actuation type: Operating tool ▶ 2.5 mm² ▶ Color: orange

Pin spacing: 7.62 mm / 0.3 inch

Solder pin arrangement Within the terminal block (in-line)

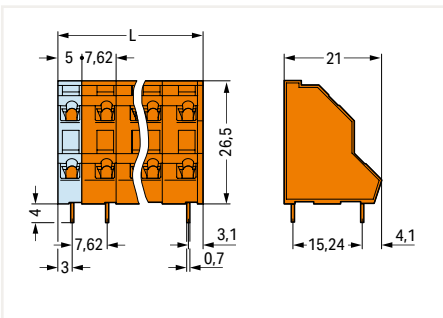
Solder pin arrangement Within the terminal block (staggered)

1

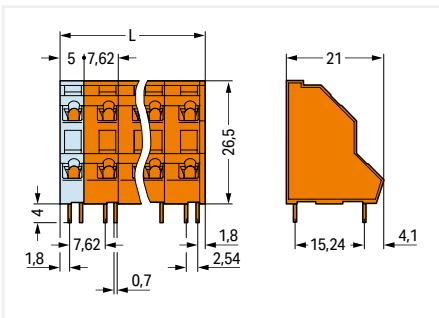


Pole No.	Distribution	Item No.	PU (SPU)
4	2 x 2	736-602	133
6	2 x 3	736-603	84 (21)
8	2 x 4	736-604	63
12	2 x 6	736-606	35
16	2 x 8	736-608	28
24	2 x 12	736-612	14
32	2 x 16	736-616	14

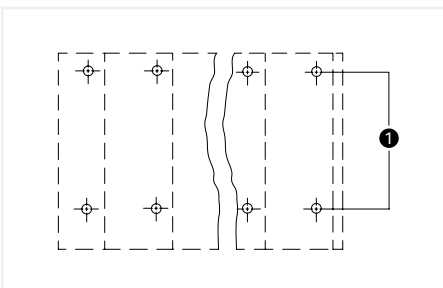
Pole No.	Distribution	Item No.	PU
4	2 x 2	736-652	133
6	2 x 3	736-653	84
8	2 x 4	736-654	63
12	2 x 6	736-656	35
16	2 x 8	736-658	28
24	2 x 12	736-662	14
32	2 x 16	736-666	14



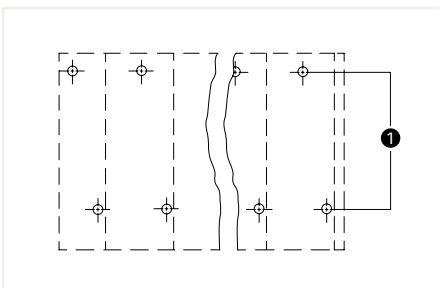
$$L = (\text{pole no.} - 1) \times \text{pin spacing} + 5.08 \text{ mm} + 1 \text{ mm}$$



$$L = (\text{pole no.} - 1) \times \text{pin spacing} + 5.08 \text{ mm} + 1 \text{ mm}$$



(1) Solder pins in line



(1) Solder pins staggered by half the pin spacing

PU = Packaging Unit; SPU = Subpackaging Unit; Dimensions in mm

Other versions (or variants) can be requested from WAGO Sales or configured at <https://configurator.wago.com/>.

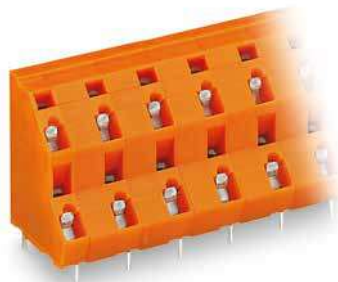
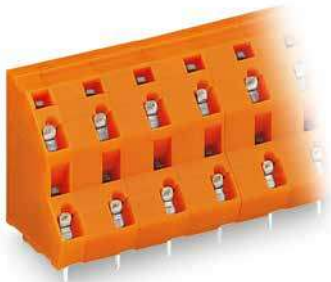
- Other pole numbers
- Other colors
- Mixed-color PCB connector strips
- Direct marking

Double-deck PCB terminal block ▶ 736 Series CAGE CLAMP® ▶ Actuation type: Operating tool ▶ 2.5 mm² ▶ Color: orange

Pin spacing: 10.16 mm / 0.4 inch

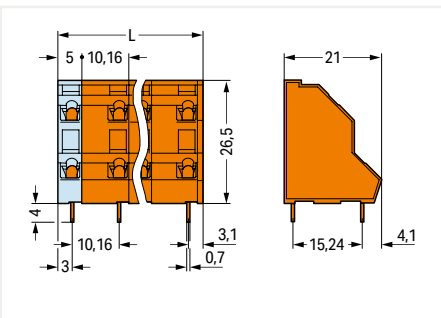
Solder pin arrangement Within the terminal block (in-line)

Solder pin arrangement Within the terminal block (staggered)

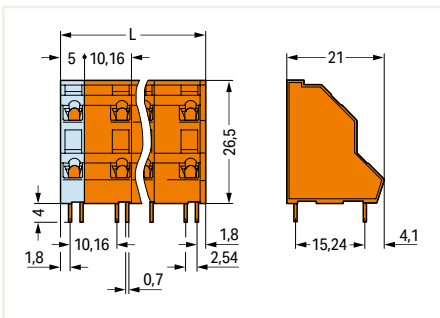


Pole No.	Distribution	Item No.	PU
4	2 x 2	736-802	112
6	2 x 3	736-803	70
8	2 x 4	736-804	49
12	2 x 6	736-806	28
16	2 x 8	736-808	21
24	2 x 12	736-812	14

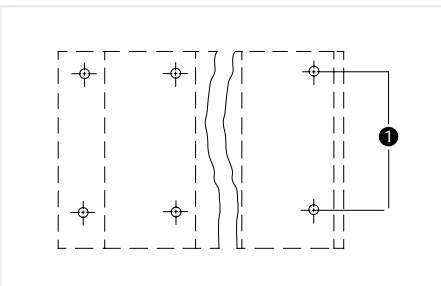
Pole No.	Distribution	Item No.	PU
4	2 x 2	736-852	112
6	2 x 3	736-853	70
8	2 x 4	736-854	49
12	2 x 6	736-856	28
16	2 x 8	736-858	21
24	2 x 12	736-862	14



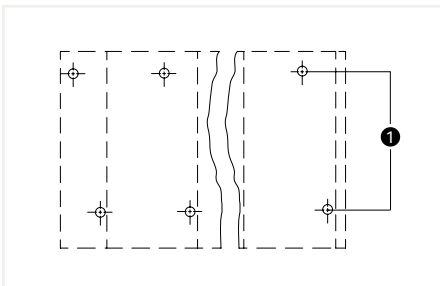
$L = (\text{pole no.} - 1) \times \text{pin spacing} + 5.08 \text{ mm} + 1 \text{ mm}$



$L = (\text{pole no.} - 1) \times \text{pin spacing} + 5.08 \text{ mm} + 1 \text{ mm}$



(1) Solder pins in line



(1) Solder pins staggered by half the pin spacing

PU = Packaging Unit; SPU = Subpackaging Unit; Dimensions in mm

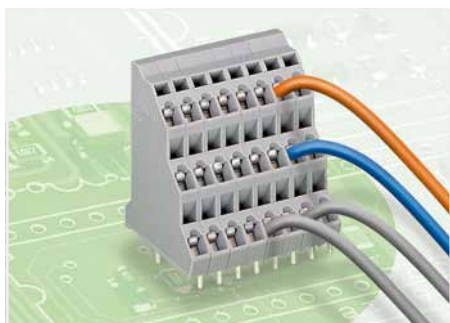
Other versions (or variants) can be requested from WAGO Sales or configured at <https://configurator.wago.com/>.

- Other pole numbers
- Other colors
- Mixed-color PCB connector strips
- Direct marking

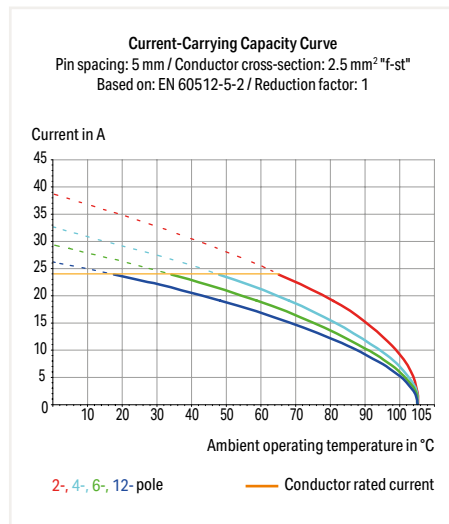
Triple-deck PCB terminal block ▶ 737 Series

CAGE CLAMP® ▶ Actuation type: Operating tool ▶ 2.5 mm² ▶ Color: gray

1



- PCB terminal strips with screwdriver-actuated CAGE CLAMP® connection
- High-density, triple-deck design for space-efficient wiring of multiple conductors in confined areas
- Custom marking for all termination levels



Electrical Data									
Pin spacing	5 mm / 0.197 inch			7.5 mm / 0.295 inch			10 mm / 0.394 inch		
between the modules									
Ratings per	IEC/EN 60664-1			IEC/EN 60664-1			IEC/EN 60664-1		
Overvoltage category	III	III	II	III	III	II	III	III	II
Pollution degree	3	2	2	3	2	2	3	2	2
Rated voltage	250 V	320 V	630 V	400 V	630 V	1000 V	630 V	1000 V	1000 V
Rated impulse voltage	4 kV	4 kV	4 kV	6 kV	6 kV	6 kV	8 kV	8 kV	8 kV
Rated current	21 A	21 A	21 A	21 A	21 A	21 A	21 A	21 A	21 A
between the decks									
Ratings per	UL 1059			UL 1059			UL 1059		
Use group	B	C	D	B	C	D	B	C	D
Rated voltage	300 V	-	300 V	300 V	-	300 V	300 V	-	300 V
Rated current	10 A	-	10 A	10 A	-	10 A	10 A	-	10 A
between the decks									
Ratings per	CSA			CSA			CSA		
Use group	B	C	D	B	C	D	B	C	D
Rated voltage	300 V	-	300 V	300 V	-	300 V	300 V	-	300 V
Rated current	10 A	-	10 A	10 A	-	10 A	10 A	-	10 A

between the decks									
Ratings per	IEC/EN 60664-1			IEC/EN 60664-1			IEC/EN 60664-1		
Overvoltage category	III	III	II	III	III	II	III	III	II
Pollution degree	3	2	2	3	2	2	3	2	2
Rated voltage	320 V	320 V	630 V	320 V	320 V	630 V	320 V	320 V	630 V
Rated impulse voltage	4 kV	4 kV	4 kV	4 kV	4 kV	4 kV	4 kV	4 kV	4 kV
Rated current	21 A	21 A	21 A	21 A	21 A	21 A	21 A	21 A	21 A

Connection Data	
Connection technology	CAGE CLAMP®
Strip length	5 ... 6 mm / 0.2 ... 0.24 inch
Conductor connection direction to PCB	45°
Solid conductor	0.08 ... 2.5 mm ² / 28 ... 12 AWG
Fine-stranded conductor	0.08 ... 2.5 mm ² / 28 ... 12 AWG
Fine-stranded conductor; with insulated ferrule	0.25 ... 1.5 mm ²
Fine-stranded conductor; with uninsulated ferrule	0.25 ... 2.5 mm ²
Note (conductor cross-section)	12 AWG: THHN, THWN

Material Data	
Material group	I
Insulation material	Polyamide (PA66)
Flammability class per UL94	V0
Clamping spring material	Chrome nickel spring steel (CrNi)
Contact material	Electrolytic copper (E _{cu})
Contact plating	Tin-plated

Mechanical Data	
Solder pin length	4 mm
Solder pin dimensions	0.7 x 0.7 mm
Drilled hole diameter with tolerance	1.3 ^(+0.1) mm

Environmental Requirements	
Limit temperature range	-60 ... +105 °C

Ferrule [Page 879](#)

Marking [Page 865](#)

Test and measurement [Page 260](#)

Tool [Page 870](#)

Commoning strips [Page 262](#)

See technical section for further information

For approvals and corresponding ratings, visit www.wago.com

Triple-deck PCB terminal block ▶ 737 Series

CAGE CLAMP® ▶ Actuation type: Operating tool ▶ 2.5 mm² ▶ Color: gray

Pin spacing: 5 mm / 0.197 inch

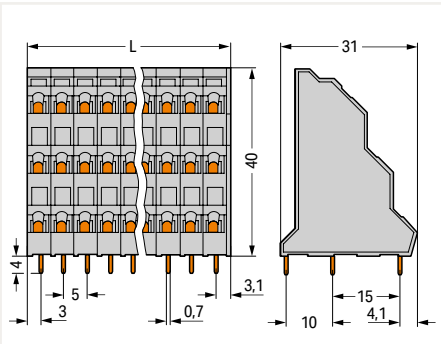
Solder pin arrangement Within the terminal block (in-line)

Solder pin arrangement Within the terminal block (staggered)

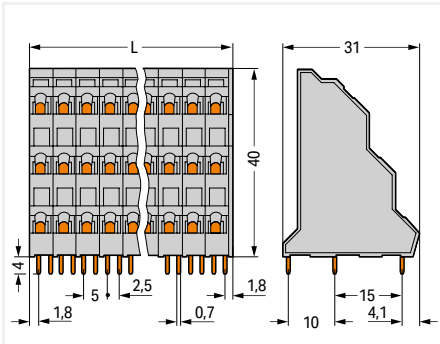


Pole No.	Distribution	Item No.	PU
6	3 x 2	737-102	92
9	3 x 3	737-103	64
12	3 x 4	737-104	48
18	3 x 6	737-106	32
24	3 x 8	737-108	24
36	3 x 12	737-112	16
48	3 x 16	737-116	12
72	3 x 24	737-124	8

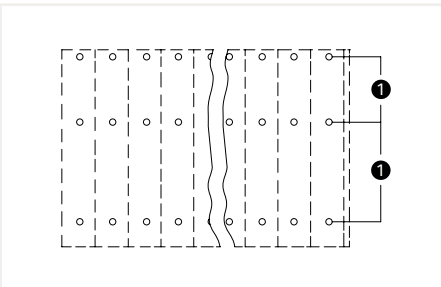
Pole No.	Distribution	Item No.	PU
6	3 x 2	737-202	92
9	3 x 3	737-203	64
12	3 x 4	737-204	48
18	3 x 6	737-206	32
24	3 x 8	737-208	24
36	3 x 12	737-212	16
48	3 x 16	737-216	12
72	3 x 24	737-224	8



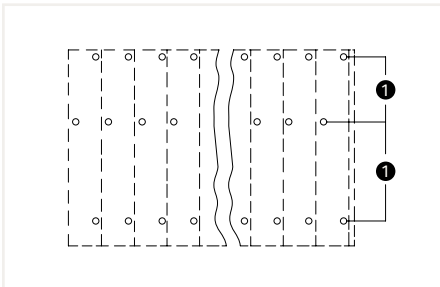
$L = (\text{pole no.} \times \text{pin spacing}) + 1 \text{ mm}$



$L = (\text{pole no.} \times \text{pin spacing}) + 1 \text{ mm}$



(1) Solder pins in line



(1) Solder pins for deck 2 staggered by half the pin spacing

PU = Packaging Unit; SPU = Subpackaging Unit; Dimensions in mm

Other versions (or variants) can be requested from WAGO Sales or configured at <https://configurator.wago.com/>.

- Other pole numbers
- Other colors
- Mixed-color PCB connector strips
- Direct marking

Triple-deck PCB terminal block ▶ 737 Series

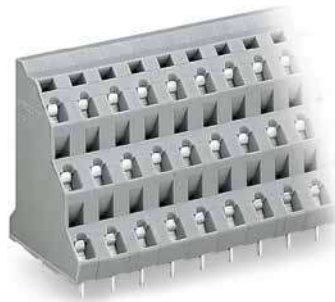
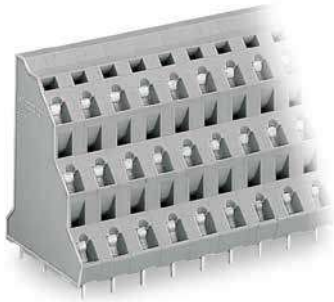
CAGE CLAMP® ▶ Actuation type: Operating tool ▶ 2.5 mm² ▶ Color: gray

Pin spacing: 7.5 mm / 0.295 inch

Solder pin arrangement Within the terminal block (in-line)

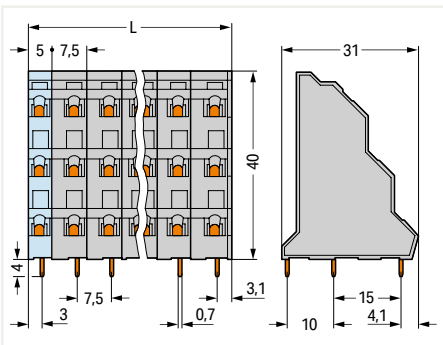
Solder pin arrangement Within the terminal block (staggered)

1

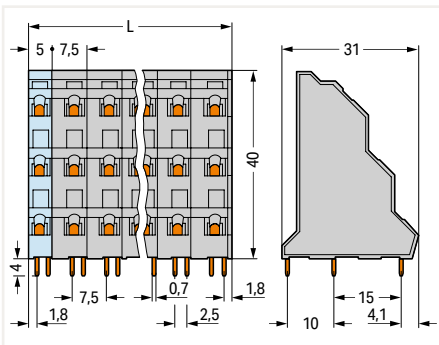


Pole No.	Distribution	Item No.	PU
6	3 x 2	737-502	76
9	3 x 3	737-503	48
12	3 x 4	737-504	36
18	3 x 6	737-506	24
24	3 x 8	737-508	16
36	3 x 12	737-512	8
48	3 x 16	737-516	8

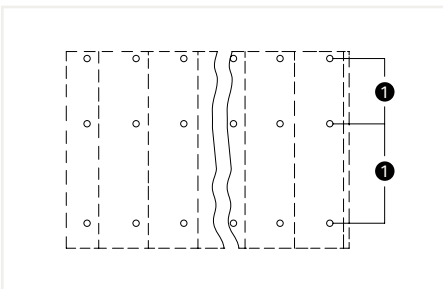
Pole No.	Distribution	Item No.	PU
6	3 x 2	737-552	76
9	3 x 3	737-553	48
12	3 x 4	737-554	36
18	3 x 6	737-556	24
24	3 x 8	737-558	16
36	3 x 12	737-562	8
48	3 x 16	737-566	8



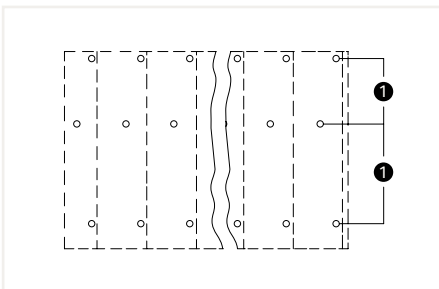
$L = (\text{pole no.} - 1) \times \text{pin spacing} + 5 \text{ mm} + 1 \text{ mm}$



$L = (\text{pole no.} - 1) \times \text{pin spacing} + 5 \text{ mm} + 1 \text{ mm}$



(1) Solder pins in line



(1) Solder pins for deck 2 staggered by half the pin spacing

PU = Packaging Unit; SPU = Subpackaging Unit; Dimensions in mm

Other versions (or variants) can be requested from WAGO Sales or configured at <https://configurator.wago.com/>.

- Other pole numbers
- Other colors
- Mixed-color PCB connector strips
- Direct marking

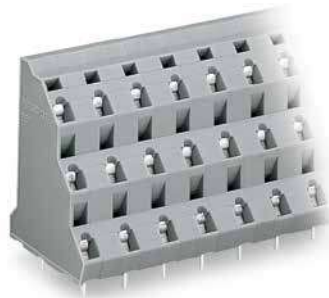
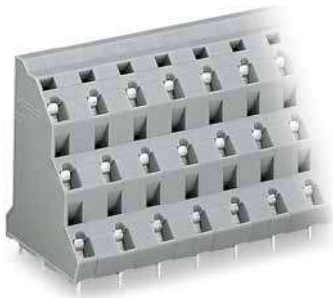
Triple-deck PCB terminal block ▶ 737 Series

CAGE CLAMP® ▶ Actuation type: Operating tool ▶ 2.5 mm² ▶ Color: gray

Pin spacing: 10 mm / 0.394 inch

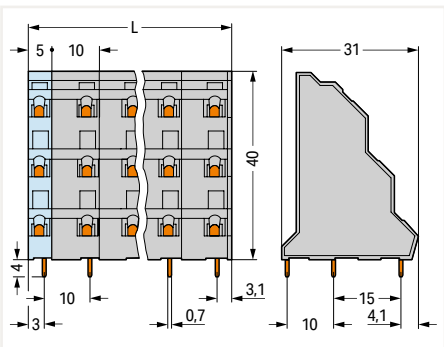
Solder pin arrangement Within the terminal block (in-line)

Solder pin arrangement Within the terminal block (staggered)

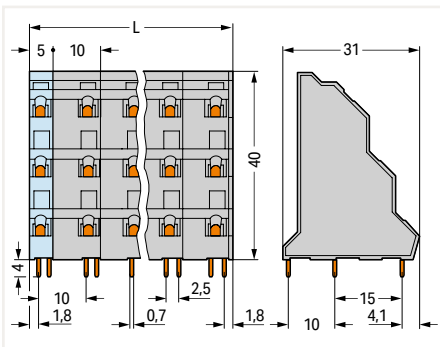


Pole No.	Distribution	Item No.	PU
6	3 x 2	737-702	64
9	3 x 3	737-703	40
12	3 x 4	737-704	28
18	3 x 6	737-706	16
24	3 x 8	737-708	12
36	3 x 12	737-712	8

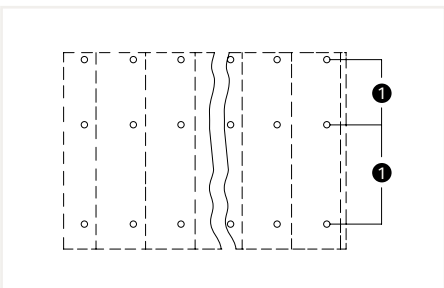
Pole No.	Distribution	Item No.	PU
6	3 x 2	737-752	64
9	3 x 3	737-753	40
12	3 x 4	737-754	28
18	3 x 6	737-756	16
24	3 x 8	737-758	12
36	3 x 12	737-762	8



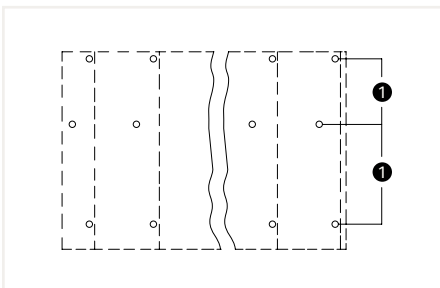
$L = (\text{pole no.} - 1) \times \text{pin spacing} + 5 \text{ mm} + 1 \text{ mm}$



$L = (\text{pole no.} - 1) \times \text{pin spacing} + 5 \text{ mm} + 1 \text{ mm}$



(1) Solder pins in line



(1) Solder pins for deck 2 staggered by half the pin spacing

PU = Packaging Unit; SPU = Subpackaging Unit; Dimensions in mm

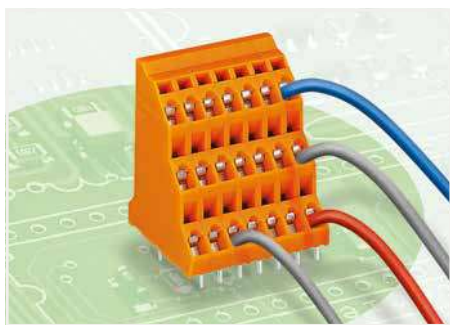
Other versions (or variants) can be requested from WAGO Sales or configured at <https://configurator.wago.com/>.

- Other pole numbers
- Other colors
- Mixed-color PCB connector strips
- Direct marking

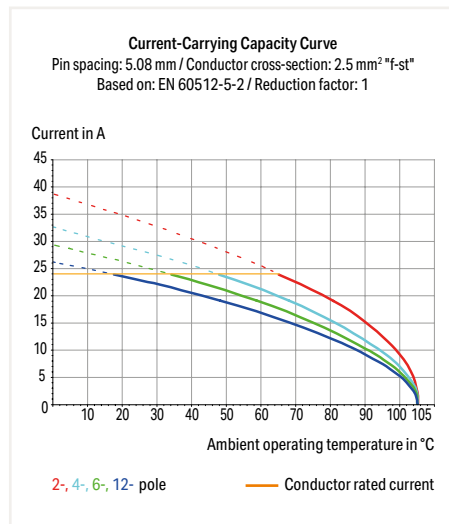
Triple-deck PCB terminal block ▶ 737 Series

CAGE CLAMP® ▶ Actuation type: Operating tool ▶ 2.5 mm² ▶ Color: orange

1



- PCB terminal strips with screwdriver-actuated CAGE CLAMP® connection
- High-density, triple-deck design for space-efficient wiring of multiple conductors in confined areas
- Custom marking for all termination levels



Electrical Data									
Pin spacing	5.08 mm / 0.2 inch			7.62 mm / 0.3 inch			10.16 mm / 0.4 inch		
between the modules									
Ratings per	IEC/EN 60664-1			IEC/EN 60664-1			IEC/EN 60664-1		
Overvoltage category	III	III	II	III	III	II	III	III	II
Pollution degree	3	2	2	3	2	2	3	2	2
Rated voltage	250 V	320 V	630 V	400 V	630 V	1000 V	630 V	1000 V	1000 V
Rated impulse voltage	4 kV	4 kV	4 kV	6 kV	6 kV	6 kV	8 kV	8 kV	8 kV
Rated current	21 A	21 A	21 A	21 A	21 A	21 A	21 A	21 A	21 A
between the decks									
Ratings per	UL 1059			UL 1059			UL 1059		
Use group	B	C	D	B	C	D	B	C	D
Rated voltage	300 V	-	300 V	300 V	-	300 V	300 V	-	300 V
Rated current	10 A	-	10 A	10 A	-	10 A	10 A	-	10 A
between the decks									
Ratings per	CSA			CSA			CSA		
Use group	B	C	D	B	C	D	B	C	D
Rated voltage	300 V	-	300 V	300 V	-	300 V	300 V	-	300 V
Rated current	10 A	-	10 A	10 A	-	10 A	10 A	-	10 A

between the decks									
Ratings per	IEC/EN 60664-1			IEC/EN 60664-1			IEC/EN 60664-1		
Overvoltage category	III	III	II	III	III	II	III	III	II
Pollution degree	3	2	2	3	2	2	3	2	2
Rated voltage	320 V	320 V	630 V	320 V	320 V	630 V	320 V	320 V	630 V
Rated impulse voltage	4 kV	4 kV	4 kV	4 kV	4 kV	4 kV	4 kV	4 kV	4 kV
Rated current	21 A	21 A	21 A	21 A	21 A	21 A	21 A	21 A	21 A

Connection Data	
Connection technology	CAGE CLAMP®
Strip length	5 ... 6 mm / 0.2 ... 0.24 inch
Conductor connection direction to PCB	45°
Solid conductor	0.08 ... 2.5 mm ² / 28 ... 12 AWG
Fine-stranded conductor	0.08 ... 2.5 mm ² / 28 ... 12 AWG
Fine-stranded conductor; with insulated ferrule	0.25 ... 1.5 mm ²
Fine-stranded conductor; with uninsulated ferrule	0.25 ... 2.5 mm ²
Note (conductor cross-section)	12 AWG: THHN, THWN

Material Data	
Material group	I
Insulation material	Polyamide (PA66)
Flammability class per UL94	V0
Clamping spring material	Chrome nickel spring steel (CrNi)
Contact material	Electrolytic copper (E _{cu})
Contact plating	Tin-plated

Mechanical Data	
Solder pin length	4 mm
Solder pin dimensions	0.7 x 0.7 mm
Drilled hole diameter with tolerance	1.3 ^(+0.1) mm

Environmental Requirements	
Limit temperature range	-60 ... +105 °C

Ferrule Page 879

Marking Page 865

Test and measurement Page 260

Tool Page 870

Commoning strips Page 262

See technical section for further information

For approvals and corresponding ratings, visit www.wago.com

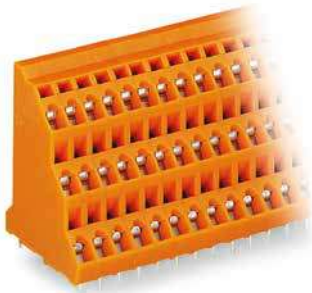
Triple-deck PCB terminal block ▶ 737 Series

CAGE CLAMP® ▶ Actuation type: Operating tool ▶ 2.5 mm² ▶ Color: orange

Pin spacing: 5.08 mm / 0.2 inch

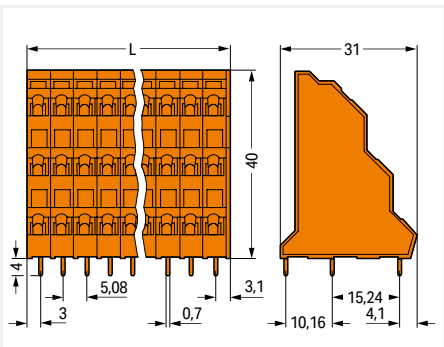
Solder pin arrangement Within the terminal block (in-line)

Solder pin arrangement Within the terminal block (staggered)

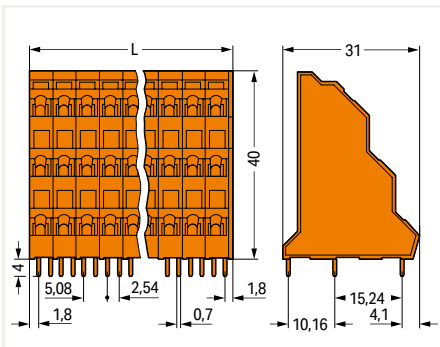


Pole No.	Distribution	Item No.	PU
6	3 x 2	737-302	92
9	3 x 3	737-303	64
12	3 x 4	737-304	48
18	3 x 6	737-306	32
24	3 x 8	737-308	24
36	3 x 12	737-312	16
48	3 x 16	737-316	12
72	3 x 24	737-324	8

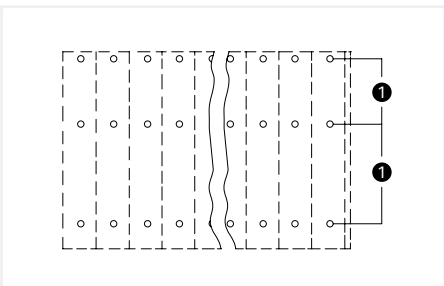
Pole No.	Distribution	Item No.	PU
6	3 x 2	737-402	96
9	3 x 3	737-403	64
12	3 x 4	737-404	48
18	3 x 6	737-406	32
24	3 x 8	737-408	24
36	3 x 12	737-412	16
48	3 x 16	737-416	12
72	3 x 24	737-424	8



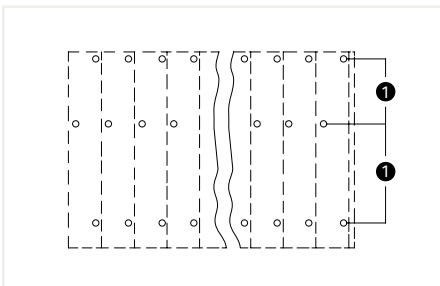
$L = (\text{pole no.} \times \text{pin spacing}) + 1 \text{ mm}$



$L = (\text{pole no.} \times \text{pin spacing}) + 1 \text{ mm}$



(1) Solder pins in line



(1) Solder pins for deck 2 staggered by half the pin spacing

PU = Packaging Unit; SPU = Subpackaging Unit; Dimensions in mm

Other versions (or variants) can be requested from WAGO Sales or configured at <https://configurator.wago.com/>.

- Other pole numbers
- Other colors
- Mixed-color PCB connector strips
- Direct marking

Triple-deck PCB terminal block ▶ 737 Series

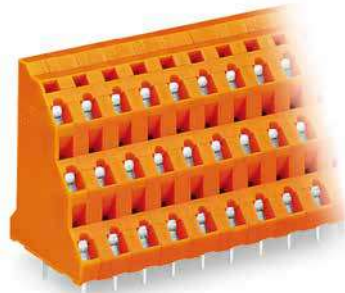
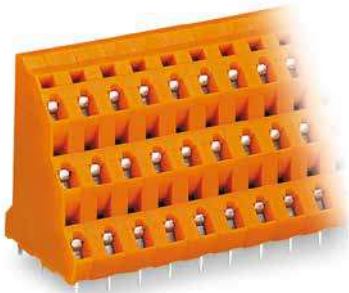
CAGE CLAMP® ▶ Actuation type: Operating tool ▶ 2.5 mm² ▶ Color: orange

Pin spacing: 7.62 mm / 0.3 inch

Solder pin arrangement Within the terminal block (in-line)

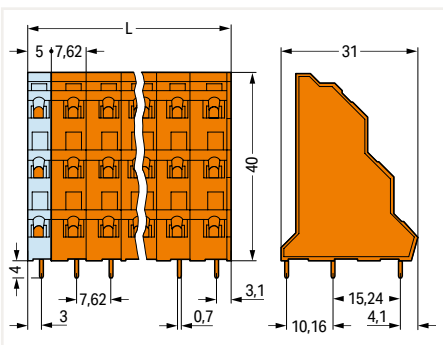
Solder pin arrangement Within the terminal block (staggered)

1

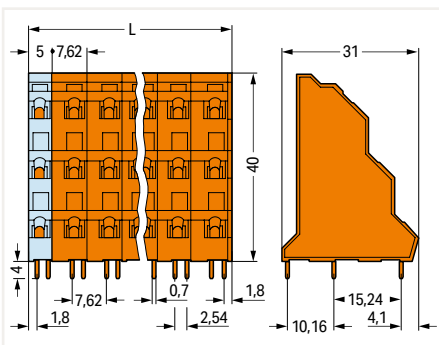


Pole No.	Distribution	Item No.	PU
6	3 x 2	737-602	76
9	3 x 3	737-603	48
12	3 x 4	737-604	36
18	3 x 6	737-606	20
24	3 x 8	737-608	16
36	3 x 12	737-612	8
48	3 x 16	737-616	8

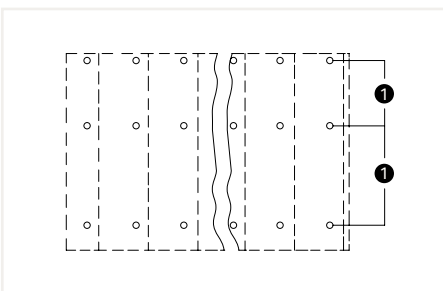
Pole No.	Distribution	Item No.	PU
6	3 x 2	737-652	76
9	3 x 3	737-653	48
12	3 x 4	737-654	36
18	3 x 6	737-656	20
24	3 x 8	737-658	16
36	3 x 12	737-662	8
48	3 x 16	737-666	8



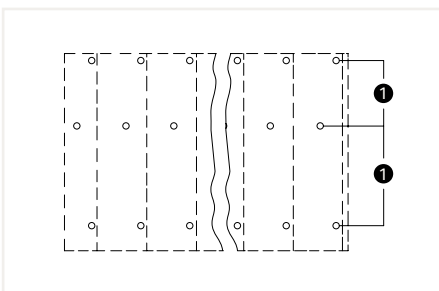
$L = (\text{pole no.} - 1) \times \text{pin spacing} + 5.08 \text{ mm} + 1 \text{ mm}$



$L = (\text{pole no.} - 1) \times \text{pin spacing} + 5.08 \text{ mm} + 1 \text{ mm}$



(1) Solder pins in line



(1) Solder pins for deck 2 staggered by half the pin spacing

PU = Packaging Unit; SPU = Subpackaging Unit; Dimensions in mm

Other versions (or variants) can be requested from WAGO Sales or configured at <https://configurator.wago.com/>.

- Other pole numbers
- Other colors
- Mixed-color PCB connector strips
- Direct marking

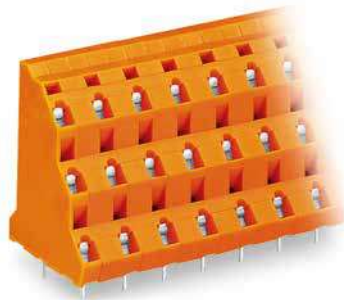
Triple-deck PCB terminal block ▶ 737 Series

CAGE CLAMP® ▶ Actuation type: Operating tool ▶ 2.5 mm² ▶ Color: orange

Pin spacing: 10.16 mm / 0.4 inch

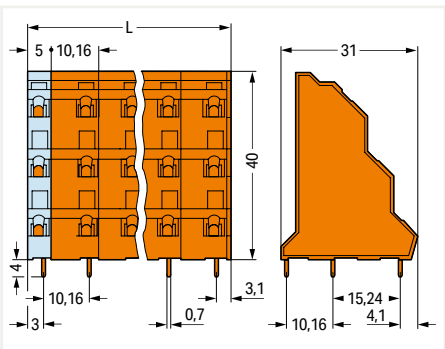
Solder pin arrangement Within the terminal block (in-line)

Solder pin arrangement Within the terminal block (staggered)

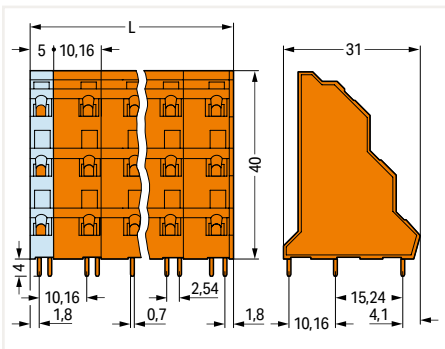


Pole No.	Distribution	Item No.	PU
6	3 x 2	737-802	64
9	3 x 3	737-803	40
12	3 x 4	737-804	28
18	3 x 6	737-806	16
24	3 x 8	737-808	12
36	3 x 12	737-812	8

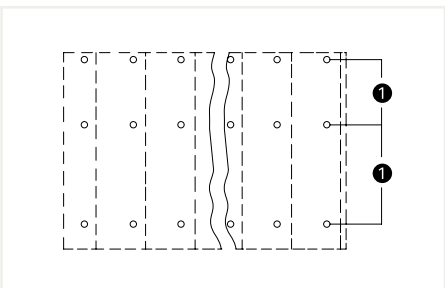
Pole No.	Distribution	Item No.	PU
6	3 x 2	737-852	64
9	3 x 3	737-853	40
12	3 x 4	737-854	28
18	3 x 6	737-856	16
24	3 x 8	737-858	12
36	3 x 12	737-862	8



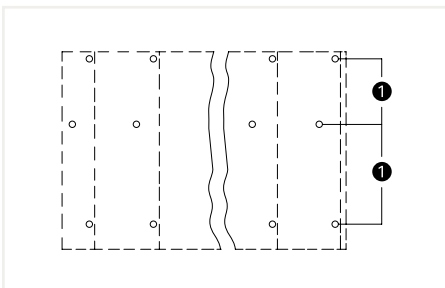
$L = (\text{pole no.} - 1) \times \text{pin spacing} + 5.08 \text{ mm} + 1 \text{ mm}$



$L = (\text{pole no.} - 1) \times \text{pin spacing} + 5.08 \text{ mm} + 1 \text{ mm}$



(1) Solder pins in line



(1) Solder pins for deck 2 staggered by half the pin spacing

PU = Packaging Unit; SPU = Subpackaging Unit; Dimensions in mm

Other versions (or variants) can be requested from WAGO Sales or configured at <https://configurator.wago.com/>.

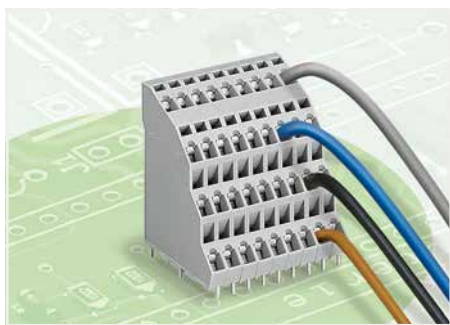
- Other pole numbers
- Other colors
- Mixed-color PCB connector strips
- Direct marking

Quadruple-deck PCB terminal block ▶ 738 Series

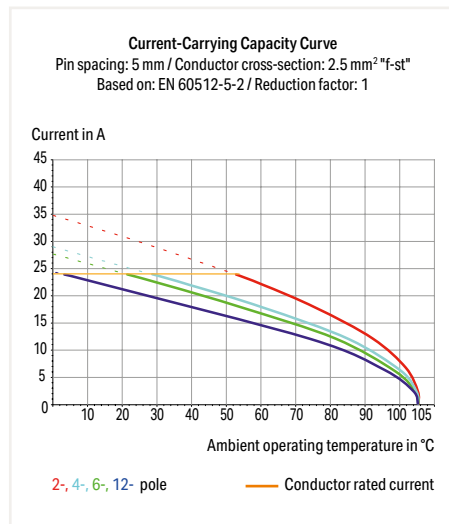
CAGE CLAMP® ▶ Actuation type: Operating tool ▶ 2.5 mm² ▶ Pin spacing: 5 mm / 0.197 inch ▶

Color: gray

1



- PCB terminal strips with screwdriver-actuated CAGE CLAMP® connection
- High-density, quadruple-deck design for space-efficient wiring of multiple conductors in confined areas
- Angled conductor entry and CAGE CLAMP® actuation streamline operation
- Custom marking for all termination levels



Electrical Data			
Pin spacing	5 mm / 0.197 inch		
between the modules			
Ratings per	IEC/EN 60664-1		
Overvoltage category	III	III	II
Pollution degree	3	2	2
Rated voltage	250 V	320 V	630 V
Rated impulse voltage	4 kV	4 kV	4 kV
Rated current	18 A	18 A	18 A
Approbations per	UL 1059		
Use group	B	C	D
Rated voltage	300 V	-	300 V
Rated current	10 A	-	10 A
Approbations per	CSA		
Use group	B	C	D
Rated voltage	300 V	-	300 V
Rated current	10 A	-	10 A
between the decks			
Ratings per	IEC/EN 60664-1		
Overvoltage category	III	III	II
Pollution degree	3	2	2
Rated voltage	320 V	320 V	630 V
Rated impulse voltage	4 kV	4 kV	4 kV
Rated current	18 A	18 A	18 A

Connection Data	
Connection technology	CAGE CLAMP®
Strip length	5 ... 6 mm / 0.2 ... 0.24 inch
Conductor connection direction to PCB	45°
Solid conductor	0.08 ... 2.5 mm ² / 28 ... 12 AWG
Fine-stranded conductor	0.08 ... 2.5 mm ² / 28 ... 12 AWG
Fine-stranded conductor; with insulated ferrule	0.25 ... 1.5 mm ²
Fine-stranded conductor; with uninsulated ferrule	0.25 ... 2.5 mm ²
Note (conductor cross-section)	12 AWG: THHN, THWN

Material Data	
Material group	I
Insulation material	Polyamide (PA66)
Flammability class per UL94	V0
Clamping spring material	Chrome nickel spring steel (CrNi)
Contact material	Electrolytic copper (E _{Cu})
Contact plating	Tin-plated

Mechanical Data	
Solder pin length	4 mm
Solder pin dimensions	0.7 x 0.7 mm
Drilled hole diameter with tolerance	1.3 ^(+0.1) mm

Environmental Requirements	
Limit temperature range	-60 ... +105 °C

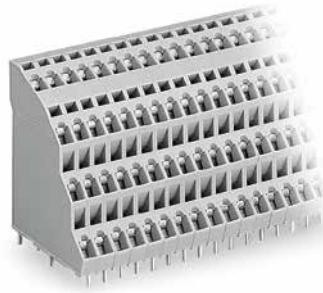
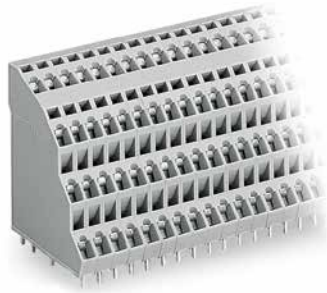
Ferrule	Page 879
Marking	Page 865
Test and measurement	Page 260
Tool	Page 870
Commoning strips	Page 262
See technical section for further information	
For approvals and corresponding ratings, visit www.wago.com	

Quadruple-deck PCB terminal block ▶ 738 Series

CAGE CLAMP® ▶ Actuation type: Operating tool ▶ 2.5 mm² ▶ Pin spacing: 5 mm / 0.197 inch ▶ Color: gray

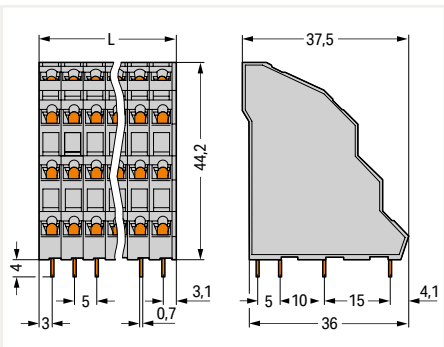
Solder pin arrangement Within the terminal block (in-line)

Solder pin arrangement Within the terminal block (staggered)

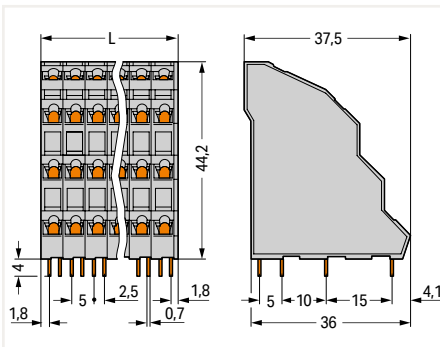


Pole No.	Distribution	Item No.	PU
8	4 x 2	738-102	72
12	4 x 3	738-103	48
16	4 x 4	738-104	36
24	4 x 6	738-106	24
32	4 x 8	738-108	18
48	4 x 12	738-112	12
64	4 x 16	738-116	9
96	4 x 24	738-124	6

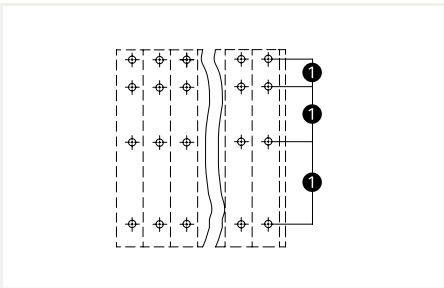
Pole No.	Distribution	Item No.	PU
8	4 x 2	738-202	72
12	4 x 3	738-203	48
16	4 x 4	738-204	36
24	4 x 6	738-206	24
32	4 x 8	738-208	18
48	4 x 12	738-212	12
64	4 x 16	738-216	9
96	4 x 24	738-224	6



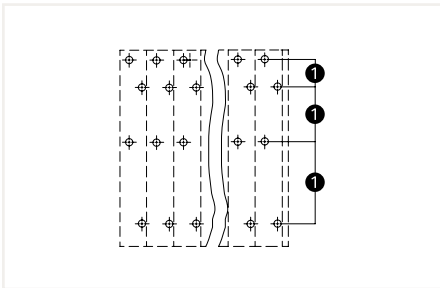
L = (pole no. x pin spacing) + 1 mm



L = (pole no. x pin spacing) + 1 mm



(1) Solder pins in line



(1) Solder pins for deck 2 and 4 staggered by half the pin spacing

PU = Packaging Unit; SPU = Subpackaging Unit; Dimensions in mm

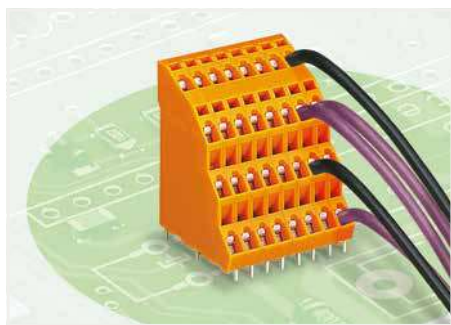
Other versions (or variants) can be requested from WAGO Sales or configured at <https://configurator.wago.com/>.

- Other pole numbers
- Other colors
- Mixed-color PCB connector strips
- Direct marking

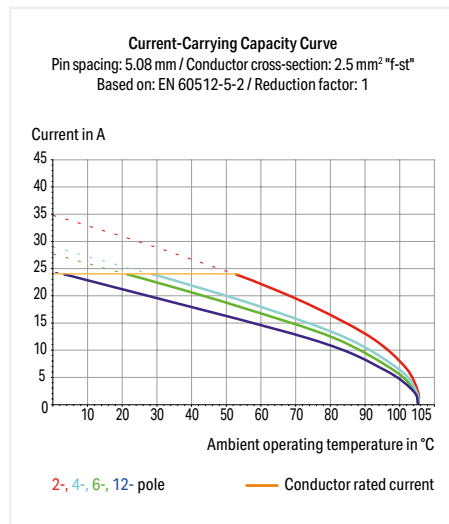
Quadruple-deck PCB terminal block ▶ 738 Series

CAGE CLAMP® ▶ Actuation type: Operating tool ▶ 2.5 mm² ▶ Pin spacing: 5.08 mm / 0.2 inch ▶

Color: orange



- PCB terminal strips with screwdriver-actuated CAGE CLAMP® connection
- High-density, quadruple-deck design for space-efficient wiring of multiple conductors in confined areas
- Angled conductor entry and CAGE CLAMP® actuation streamline operation
- Custom marking for all termination levels



Electrical Data			
Pin spacing	5.08 mm / 0.2 inch		
between the modules			
Ratings per	IEC/EN 60664-1		
Overvoltage category	III	III	II
Pollution degree	3	2	2
Rated voltage	250 V	320 V	630 V
Rated impulse voltage	4 kV	4 kV	4 kV
Rated current	18 A	18 A	18 A
Approbations per	UL 1059		
Use group	B	C	D
Rated voltage	300 V	-	300 V
Rated current	10 A	-	10 A
Approbations per	CSA		
Use group	B	C	D
Rated voltage	300 V	-	300 V
Rated current	10 A	-	10 A

between the decks			
Ratings per	IEC/EN 60664-1		
Overvoltage category	III	III	II
Pollution degree	3	2	2
Rated voltage	320 V	320 V	630 V
Rated impulse voltage	4 kV	4 kV	4 kV
Rated current	18 A	18 A	18 A

Connection Data	
Connection technology	CAGE CLAMP®
Strip length	5 ... 6 mm / 0.2 ... 0.24 inch
Conductor connection direction to PCB	45 °
Solid conductor	0.08 ... 2.5 mm ² / 28 ... 12 AWG
Fine-stranded conductor	0.08 ... 2.5 mm ² / 28 ... 12 AWG
Fine-stranded conductor; with insulated ferrule	0.25 ... 1.5 mm ²
Fine-stranded conductor; with uninsulated ferrule	0.25 ... 2.5 mm ²
Note (conductor cross-section)	12 AWG: THHN, THWN

Material Data	
Material group	I
Insulation material	Polyamide (PA66)
Flammability class per UL94	V0
Clamping spring material	Chrome nickel spring steel (CrNi)
Contact material	Electrolytic copper (E _{cu})
Contact plating	Tin-plated

Mechanical Data	
Solder pin length	4 mm
Solder pin dimensions	0.7 x 0.7 mm
Drilled hole diameter with tolerance	1.3 ^(+0.1) mm

Environmental Requirements	
Limit temperature range	-60 ... +105 °C

Ferrule [Page 879](#)

Marking [Page 865](#)

Test and measurement [Page 260](#)

Tool [Page 870](#)

Commoning strips [Page 262](#)

See technical section for further information

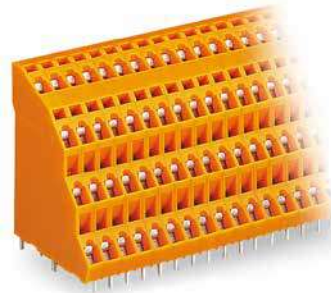
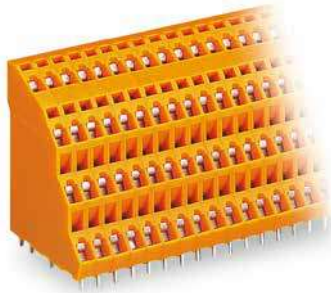
For approvals and corresponding ratings, visit www.wago.com

Quadruple-deck PCB terminal block ▶ 738 Series

CAGE CLAMP® ▶ Actuation type: Operating tool ▶ 2.5 mm² ▶ Pin spacing: 5.08 mm / 0.2 inch ▶ Color: orange

Solder pin arrangement Within the terminal block (in-line)

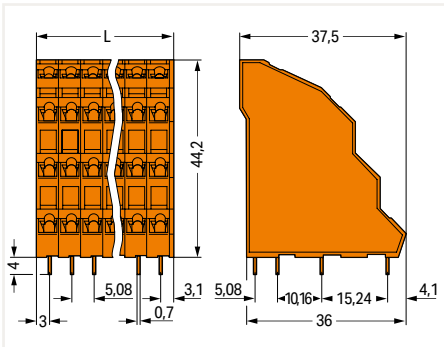
Solder pin arrangement Within the terminal block (staggered)



Pole No.	Distribution	Item No.	PU
8	4 x 2	738-302	69
12	4 x 3	738-303	48
16	4 x 4	738-304	36
24	4 x 6	738-306	24
32	4 x 8	738-308	18
48	4 x 12	738-312	12
64	4 x 16	738-316	9
96	4 x 24	738-324	6

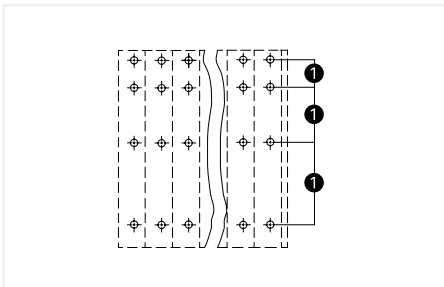
Pole No.	Distribution	Item No.	PU
8	4 x 2	738-402	69
12	4 x 3	738-403	48
16	4 x 4	738-404	36
24	4 x 6	738-406	24
32	4 x 8	738-408	18
48	4 x 12	738-412	12
64	4 x 16	738-416	9
96	4 x 24	738-424	6

Dimensions in mm



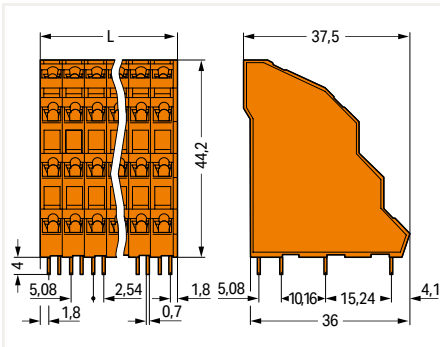
$L = (\text{pole no.} \times \text{pin spacing}) + 1 \text{ mm}$

Dimensions in mm



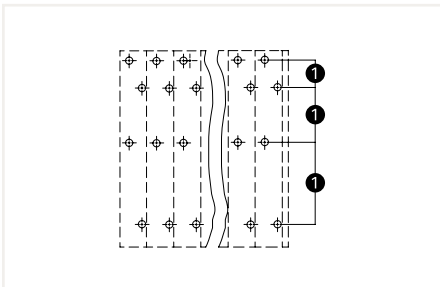
(1) Solder pins in line

Dimensions in mm



$L = (\text{pole no.} \times \text{pin spacing}) + 1 \text{ mm}$

Dimensions in mm



(1) Solder pins for deck 2 and 4 staggered by half the pin spacing

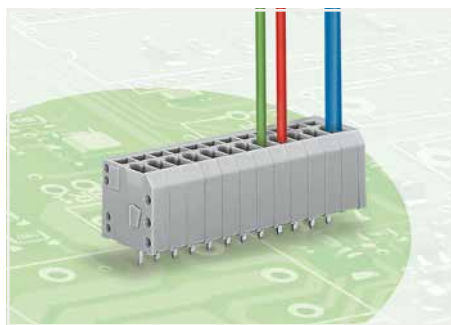
PU = Packaging Unit; SPU = Subpackaging Unit

Other versions (or variants) can be requested from WAGO Sales or configured at <https://configurator.wago.com/>.

- Other pole numbers
- Other colors
- Mixed-color PCB connector strips
- Direct marking

PCB terminal block ▶ 739 Series**CAGE CLAMP® ▶ Actuation type: Operating tool ▶ 1.5 mm² ▶ Pin spacing: 3.5 mm / 0.138 inch ▶****Color: gray**

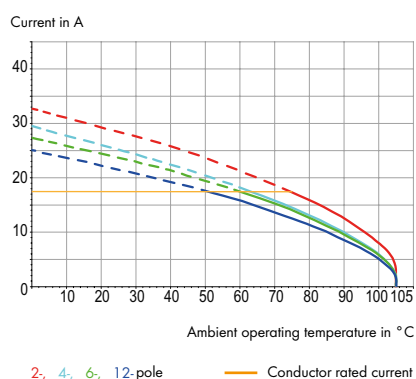
1



- PCB terminal strips with screwdriver-actuated CAGE CLAMP® connection
- Vertical conductor entry and operating direction for space-saving positioning/grouping

Current-Carrying Capacity Curve

Pin spacing: 3.5 mm / Conductor cross-section: 1.5 mm² "fst"
Based on: EN 60512-5-2 / Reduction factor: 1

**Electrical Data**

Pin spacing	3.5 mm / 0.138 inch		
Ratings per	IEC/EN 60664-1		
Overvoltage category	III	III	II
Pollution degree	3	2	2
Rated voltage	160 V	160 V	320 V
Rated impulse voltage	2.5 kV	2.5 kV	2.5 kV
Rated current	17.5 A	17.5 A	17.5 A
Approbations per	UL 1059		
Use group	B	C	D
Rated voltage	300 V	-	300 V
Rated current	15 A	-	10 A

Connection Data

Connection technology	CAGE CLAMP®
Strip length	5 ... 6 mm / 0.2 ... 0.24 inch
Conductor connection direction to PCB	90°
Solid conductor	0.08 ... 1.5 mm ² / 28 ... 14 AWG
Fine-stranded conductor	0.08 ... 1.5 mm ² / 28 ... 14 AWG
Fine-stranded conductor; with insulated ferrule	0.25 ... 1 mm ²
Fine-stranded conductor; with uninsulated ferrule	0.25 ... 1.5 mm ²
Note (conductor cross-section)	14 AWG: THHN, THWN

Material Data

Material group	I
Insulation material	Polyamide (PA66)
Flammability class per UL94	V0
Clamping spring material	Chrome nickel spring steel (CrNi)
Contact material	Electrolytic copper (E _{cu})
Contact plating	Tin-plated

Mechanical Data

Solder pin arrangement	Over the entire terminal strip (in-line)
Solder pin length	3.4 mm
Solder pin dimensions	0.6 x 0.8 mm
Drilled hole diameter with tolerance	1.1 ^(+0.1) mm

Environmental Requirements

Limit temperature range	-60 ... +105 °C
-------------------------	-----------------

Ferrule	Page 879
---------	----------

Marking	Page 864
---------	----------

Tool	Page 870
------	----------

See technical section for further information

For approvals and corresponding ratings, visit www.wago.com

PCB terminal block ▶ 739 Series

CAGE CLAMP® ▶ Actuation type: Operating tool ▶ 1.5 mm² ▶ Pin spacing: 3.5 mm / 0.138 inch ▶ Color: gray

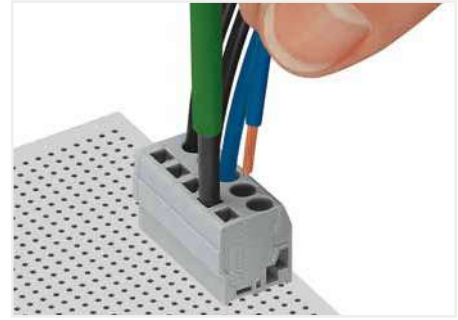
Mounting type: Mounting flange



739-312

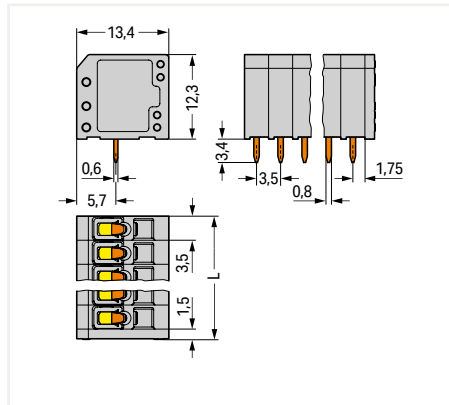


739-306/001-000

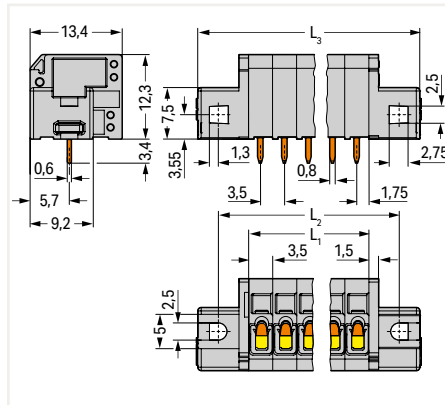


Inserting a conductor parallel to screwdriver actuation – 739 Series.

Pole No.	Item No.	PU (SPU)	Pole No.	Item No.	PU (SPU)
2	739-302	560 (140)	2	739-302/001-000	200 (50)
3	739-303	400 (100)	3	739-303/001-000	180 (45)
4	739-304	300 (75)	4	739-304/001-000	140 (35)
5	739-305	240 (60)	5	739-305/001-000	140 (35)
6	739-306	200 (50)	6	739-306/001-000	120 (30)
7	739-307	180 (45)	7	739-307/001-000	180 (45)
8	739-308	160 (40)	8	739-308/001-000	100 (25)
9	739-309	140 (35)	9	739-309/001-000	80 (20)
10	739-310	120 (30)	10	739-310/001-000	80 (20)
12	739-312	100 (25)	12	739-312/001-000	80 (20)



$L = (\text{pole no.} \times \text{pin spacing}) + 1.5 \text{ mm}$



$L_1 = \text{pole no.} \times \text{pin spacing}$
 $L_2 = L_1 + 8.8 \text{ mm}$
 $L_3 = L_1 + 14.8 \text{ mm}$

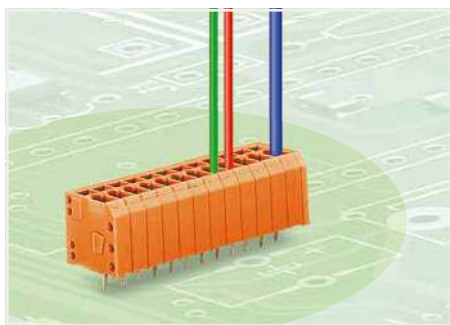
PU = Packaging Unit; SPU = Subpackaging Unit; Dimensions in mm

Other versions (or variants) can be requested from WAGO Sales or configured at <https://configurator.wago.com/>.

- Other pole numbers
- Other colors
- Mixed-color PCB connector strips
- Direct marking

PCB terminal block ▶ 739 Series**CAGE CLAMP® ▶ Actuation type: Operating tool ▶ 1.5 mm² ▶ Pin spacing: 3.81 mm / 0.15 inch ▶****Color: orange**

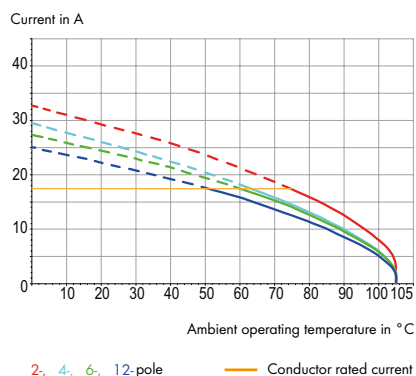
1



- PCB terminal strips with screwdriver-actuated CAGE CLAMP® connection
- Vertical conductor entry and operating direction for space-saving positioning/grouping

Current-Carrying Capacity Curve

Pin spacing: 3.5 mm / Conductor cross-section: 1.5 mm² "fst"
Based on: EN 60512-5-2 / Reduction factor: 1

**Electrical Data**

Pin spacing	3.81 mm / 0.15 inch		
Ratings per	IEC/EN 60664-1		
Overvoltage category	III	III	II
Pollution degree	3	2	2
Rated voltage	200 V	320 V	500 V
Rated impulse voltage	4 kV	4 kV	4 kV
Rated current	17.5 A	17.5 A	17.5 A
Approbations per	UL 1059		
Use group	B	C	D
Rated voltage	300 V	-	300 V
Rated current	15 A	-	10 A

Connection Data

Connection technology	CAGE CLAMP®
Strip length	5 ... 6 mm / 0.2 ... 0.24 inch
Conductor connection direction to PCB	90°
Solid conductor	0.08 ... 1.5 mm ² / 28 ... 14 AWG
Fine-stranded conductor	0.08 ... 1.5 mm ² / 28 ... 14 AWG
Fine-stranded conductor; with insulated ferrule	0.25 ... 1 mm ²
Fine-stranded conductor; with uninsulated ferrule	0.25 ... 1.5 mm ²
Note (conductor cross-section)	14 AWG: THHN, THWN

Material Data

Material group	I
Insulation material	Polyamide (PA66)
Flammability class per UL94	V0
Clamping spring material	Chrome nickel spring steel (CrNi)
Contact material	Electrolytic copper (E _{cu})
Contact plating	Tin-plated

Mechanical Data

Solder pin arrangement	Over the entire terminal strip (in-line)
Solder pin length	3.4 mm
Solder pin dimensions	0.6 x 0.8 mm
Drilled hole diameter with tolerance	1.1 ^(+0.1) mm

Environmental Requirements

Limit temperature range	-60 ... +105 °C
-------------------------	-----------------

Ferrule	Page 879
---------	----------

Marking	Page 864
---------	----------

Tool	Page 870
------	----------

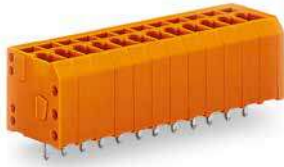
See technical section for further information

For approvals and corresponding ratings, visit www.wago.com

PCB terminal block ▶ 739 Series

CAGE CLAMP® ▶ Actuation type: Operating tool ▶ 1.5 mm² ▶ Pin spacing: 3.81 mm / 0.15 inch ▶ Color: orange

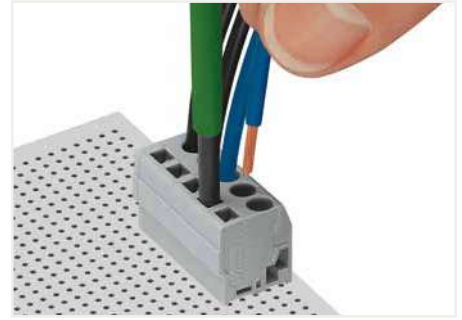
Mounting type: Mounting flange



739-342



739-336/001-000

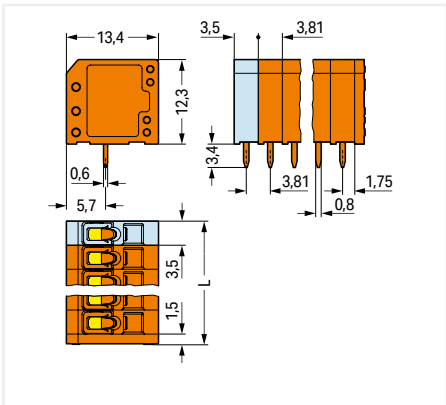


Inserting a conductor parallel to screwdriver actuation – 739 Series.

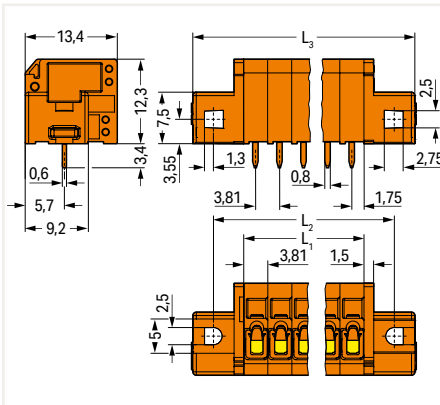
1

Pole No.	Item No.	PU (SPU)
2	739-332	520 (130)
3	739-333	360 (90)
4	739-334	280 (70)
5	739-335	220 (55)
6	739-336	180 (45)
7	739-337	160 (40)
8	739-338	140 (35)
9	739-339	120 (30)
10	739-340	120 (30)
12	739-342	100 (25)

Pole No.	Item No.	PU (SPU)
2	739-332/001-000	200 (50)
3	739-333/001-000	180 (45)
4	739-334/001-000	140 (35)
5	739-335/001-000	140 (35)
6	739-336/001-000	120 (30)
7	739-337/001-000	180 (45)
8	739-338/001-000	100 (25)
9	739-339/001-000	80 (20)
10	739-340/001-000	80 (20)
12	739-342/001-000	60 (15)



$L = (\text{pole no.} \times \text{pin spacing}) + 3.5 \text{ mm} + 1.5 \text{ mm}$



$L_1 = \text{pole no.} \times \text{pin spacing}$
 $L_2 = L_1 + 8.8 \text{ mm}$
 $L_3 = L_1 + 14.8 \text{ mm}$

PU = Packaging Unit; SPU = Subpackaging Unit; Dimensions in mm

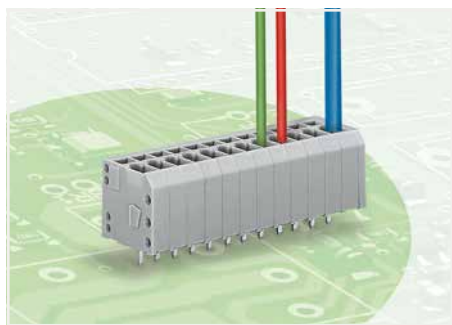
Other versions (or variants) can be requested from WAGO Sales or configured at <https://configurator.wago.com/>.

- Other pole numbers
- Other colors
- Mixed-color PCB connector strips
- Direct marking

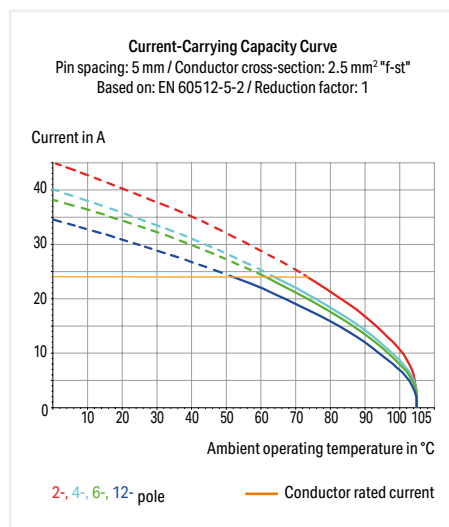
PCB terminal block ▶ 739 Series

CAGE CLAMP® ▶ Actuation type: Operating tool ▶ 2.5 mm² ▶ Pin spacing: 5 mm / 0.197 inch ▶ Color: gray

1



- PCB terminal strips with screwdriver-actuated CAGE CLAMP® connection
- Vertical conductor entry and operating direction for space-saving positioning/grouping



Electrical Data

Pin spacing	5 mm / 0.197 inch		
Ratings per	IEC/EN 60664-1		
Overvoltage category	III	III	II
Pollution degree	3	2	2
Rated voltage	320 V	320 V	630 V
Rated impulse voltage	4 kV	4 kV	4 kV
Rated current	24 A	24 A	24 A
Approbations per	UL 1059		
Use group	B	C	D
Rated voltage	300 V	-	300 V
Rated current	20 A	-	10 A
Approbations per	CSA		
Use group	B	C	D
Rated voltage	300 V	-	300 V
Rated current	12 A	-	10 A

Connection Data

Connection technology	CAGE CLAMP®
Strip length	8 ... 9 mm / 0.31 ... 0.35 inch
Conductor connection direction to PCB	90°
Solid conductor	0.08 ... 2.5 mm ² / 28 ... 14 AWG
Fine-stranded conductor	0.08 ... 2.5 mm ² / 28 ... 12 AWG
Fine-stranded conductor; with insulated ferrule	0.25 ... 1.5 mm ²
Fine-stranded conductor; with uninsulated ferrule	0.25 ... 2.5 mm ²
Note (conductor cross-section)	12 AWG: THHN, THWN

Material Data

Material group	I
Insulation material	Polyamide (PA66)
Flammability class per UL94	V0
Clamping spring material	Chrome nickel spring steel (CrNi)
Contact material	Electrolytic copper (E _{cu})
Contact plating	Tin-plated

Mechanical Data

Solder pin arrangement	Over the entire terminal strip (in-line)
Solder pin length	3.2 mm
Solder pin dimensions	0.8 x 1.2 mm
Drilled hole diameter with tolerance	1.6 ^(+0.1) mm

Environmental Requirements

Limit temperature range	-60 ... +105 °C
-------------------------	-----------------

Ferrule [Page 879](#)

Marking [Page 865](#)

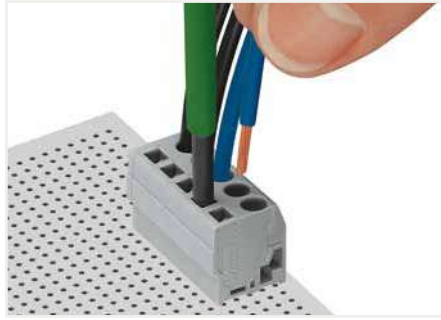
Tool [Page 870](#)

See technical section for further information

For approvals and corresponding ratings, visit www.wago.com

PCB terminal block ▶ 739 Series

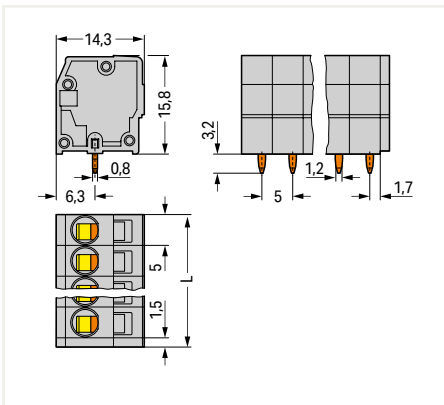
CAGE CLAMP® ▶ Actuation type: Operating tool ▶ 2.5 mm² ▶ Pin spacing: 5 mm / 0.197 inch ▶ Color: gray



739-112

Inserting a conductor parallel to screwdriver actuation – 739 Series.

Pole No.	Item No.	PU (SPU)
2	739-102	400 (100)
3	739-103	280 (70)
4	739-104	220 (55)
5	739-105	180 (45)
6	739-106	140 (35)
7	739-107	120 (30)
8	739-108	100 (25)
9	739-109	100 (25)
10	739-110	80 (20)
12	739-112	60 (15)
16	739-116	40 (10)
24	739-124	20 (5)



$L = (\text{pole no.} - 1) \times \text{pin spacing} + 5 \text{ mm} + 1.5 \text{ mm}$

PU = Packaging Unit; SPU = Subpackaging Unit; Dimensions in mm

Other versions (or variants) can be requested from WAGO Sales or configured at <https://configurator.wago.com/>.

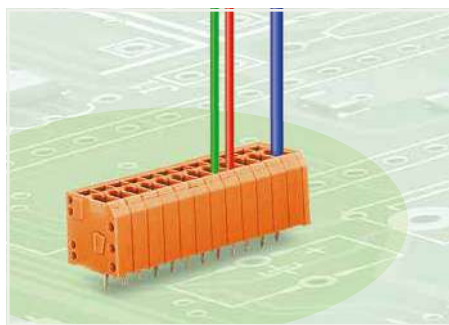
- Other pole numbers
- Other colors
- Mixed-color PCB connector strips
- Direct marking

PCB terminal block ▶ 739 Series

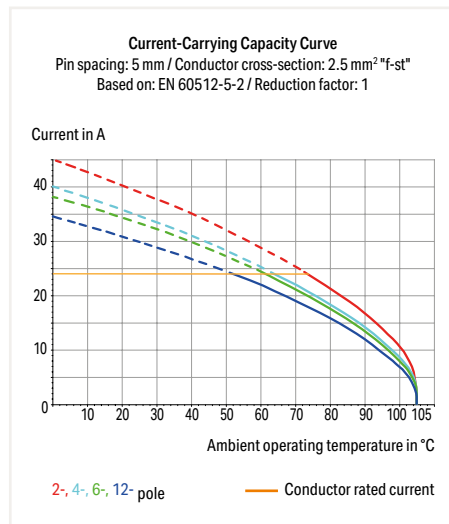
CAGE CLAMP® ▶ Actuation type: Operating tool ▶ 2.5 mm² ▶ Pin spacing: 5.08 mm / 0.2 inch ▶

Color: orange

1



- PCB terminal strips with screwdriver-actuated CAGE CLAMP® connection
- Vertical conductor entry and operating direction for space-saving positioning/grouping



Electrical Data

Pin spacing	5.08 mm / 0.2 inch		
Ratings per	IEC/EN 60664-1		
Overvoltage category	III	III	II
Pollution degree	3	2	2
Rated voltage	320 V	320 V	630 V
Rated impulse voltage	4 kV	4 kV	4 kV
Rated current	24 A	24 A	24 A
Approbations per	UL 1059		
Use group	B	C	D
Rated voltage	300 V	-	300 V
Rated current	20 A	-	10 A
Approbations per	CSA		
Use group	B	C	D
Rated voltage	300 V	-	300 V
Rated current	12 A	-	10 A

Connection Data

Connection technology	CAGE CLAMP®
Strip length	8 ... 9 mm / 0.31 ... 0.35 inch
Conductor connection direction to PCB	90°
Solid conductor	0.08 ... 2.5 mm ² / 28 ... 14 AWG
Fine-stranded conductor	0.08 ... 2.5 mm ² / 28 ... 12 AWG
Fine-stranded conductor; with insulated ferrule	0.25 ... 1.5 mm ²
Fine-stranded conductor; with uninsulated ferrule	0.25 ... 2.5 mm ²
Note (conductor cross-section)	12 AWG: THHN, THWN

Material Data

Material group	I
Insulation material	Polyamide (PA66)
Flammability class per UL94	V0
Clamping spring material	Chrome nickel spring steel (CrNi)
Contact material	Electrolytic copper (E _{cu})
Contact plating	Tin-plated

Mechanical Data

Solder pin arrangement	Over the entire terminal strip (in-line)
Solder pin length	3.2 mm
Solder pin dimensions	0.8 x 1.2 mm
Drilled hole diameter with tolerance	1.6 ^(+0.1) mm

Environmental Requirements

Limit temperature range	-60 ... +105 °C
-------------------------	-----------------

Ferrule [Page 879](#)

Marking [Page 865](#)

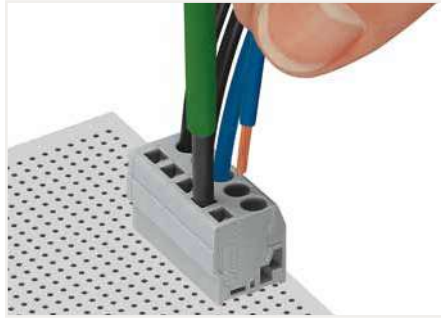
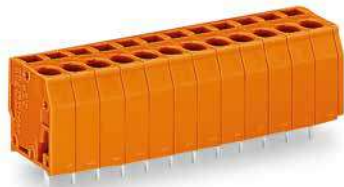
Tool [Page 870](#)

See technical section for further information

For approvals and corresponding ratings, visit www.wago.com

PCB terminal block ▶ 739 Series

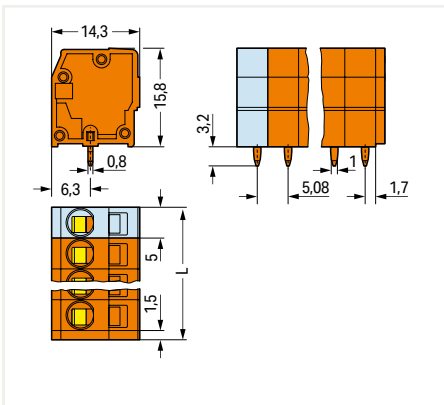
CAGE CLAMP® ▶ Actuation type: Operating tool ▶ 2.5 mm² ▶ Pin spacing: 5.08 mm / 0.2 inch ▶ Color: orange



739-162

Inserting a conductor parallel to screwdriver actuation – 739 Series.

Pole No.	Item No.	PU (SPU)
2	739-152	400 (100)
3	739-153	280 (70)
4	739-154	220 (55)
5	739-155	160 (40)
6	739-156	140 (35)
7	739-157	120 (30)
8	739-158	100 (25)
9	739-159	100 (25)
10	739-160	80 (20)
12	739-162	60 (15)
16	739-166	40 (10)
24	739-174	20 (5)



$L = (\text{pole no.} - 1) \times \text{pin spacing} + 5 \text{ mm} + 1.5 \text{ mm}$

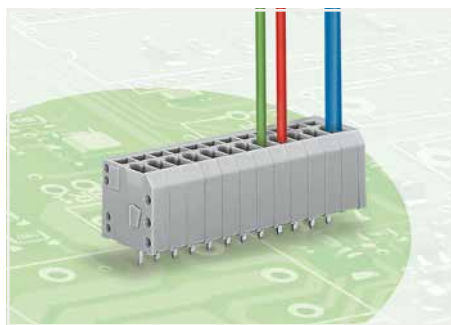
PU = Packaging Unit; SPU = Subpackaging Unit; Dimensions in mm

Other versions (or variants) can be requested from WAGO Sales or configured at <https://configurator.wago.com/>.

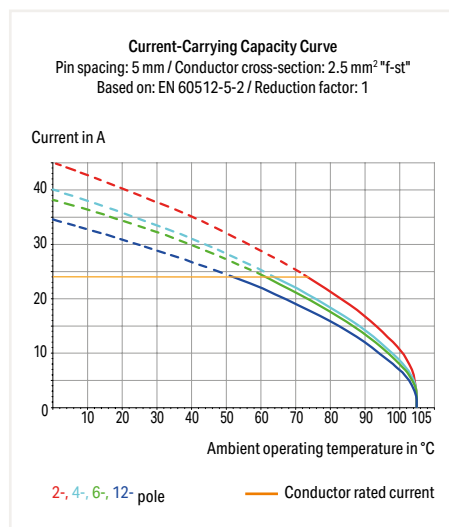
- Other pole numbers
- Other colors
- Mixed-color PCB connector strips
- Direct marking

PCB terminal block ▶ 739 Series**CAGE CLAMP® ▶ Actuation type: Operating tool ▶ 2.5 mm² ▶ Pin spacing: 7.5 mm / 0.295 inch ▶****Color: gray**

1



- PCB terminal strips with screwdriver-actuated CAGE CLAMP® connection
- Vertical conductor entry and operating direction for space-saving positioning/grouping

**Electrical Data**

Pin spacing	7.5 mm / 0.295 inch		
Ratings per	IEC/EN 60664-1		
Overvoltage category	III	III	II
Pollution degree	3	2	2
Rated voltage	500 V	630 V	1000 V
Rated impulse voltage	6 kV	6 kV	6 kV
Rated current	24 A	24 A	24 A
Approbations per	UL 1059		
Use group	B	C	D
Rated voltage	300 V	-	300 V
Rated current	20 A	-	10 A
Approbations per	CSA		
Use group	B	C	D
Rated voltage	300 V	-	300 V
Rated current	8 A	-	8 A

Connection Data

Connection technology	CAGE CLAMP®
Strip length	8 ... 9 mm / 0.31 ... 0.35 inch
Conductor connection direction to PCB	90°
Solid conductor	0.08 ... 2.5 mm ² / 28 ... 12 AWG
Fine-stranded conductor	0.08 ... 2.5 mm ² / 28 ... 12 AWG
Fine-stranded conductor; with insulated ferrule	0.25 ... 1.5 mm ²
Fine-stranded conductor; with uninsulated ferrule	0.25 ... 2.5 mm ²
Note (conductor cross-section)	12 AWG: THHN, THWN

Material Data

Material group	I
Insulation material	Polyamide (PA66)
Flammability class per UL94	V0
Clamping spring material	Chrome nickel spring steel (CrNi)
Contact material	Electrolytic copper (E _{cu})
Contact plating	Tin-plated

Mechanical Data

Solder pin arrangement	Over the entire terminal strip (in-line)
Solder pin length	3.2 mm
Solder pin dimensions	0.8 x 1.2 mm
Drilled hole diameter with tolerance	1.6 ^(+0.1) mm

Environmental Requirements

Limit temperature range	-60 ... +105 °C
-------------------------	-----------------

Ferrule Page 879

Marking Page 865

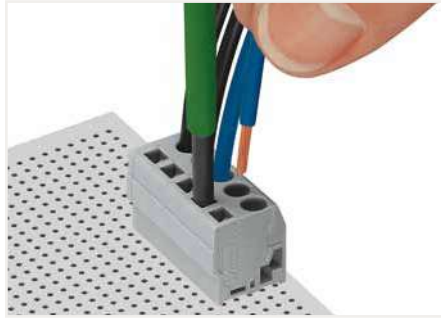
Tool Page 870

See technical section for further information

For approvals and corresponding ratings, visit www.wago.com

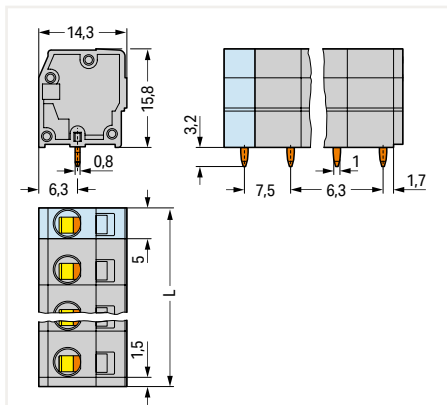
PCB terminal block ▶ 739 Series

CAGE CLAMP® ▶ Actuation type: Operating tool ▶ 2.5 mm² ▶ Pin spacing: 7.5 mm / 0.295 inch ▶ Color: gray



Inserting a conductor parallel to screwdriver actuation – 739 Series.

Pole No.	Item No.	PU (SPU)
2	739-202	340 (85)
3	739-203	220 (55)
4	739-204	160 (40)
5	739-205	120 (30)
6	739-206	100 (25)
7	739-207	80 (20)
8	739-208	80 (20)
9	739-209	60 (15)
10	739-210	60 (15)
12	739-212	40 (10)



$L = (\text{pole no.} - 1) \times \text{pin spacing} + 5 \text{ mm} + 1.5 \text{ mm}$

PU = Packaging Unit; SPU = Subpackaging Unit; Dimensions in mm

Other versions (or variants) can be requested from WAGO Sales or configured at <https://configurator.wago.com/>.

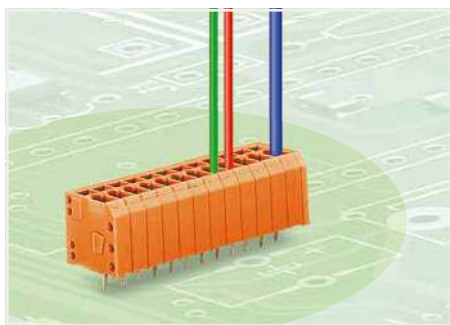
- Other pole numbers
- Other colors
- Mixed-color PCB connector strips
- Direct marking

PCB terminal block ▶ 739 Series

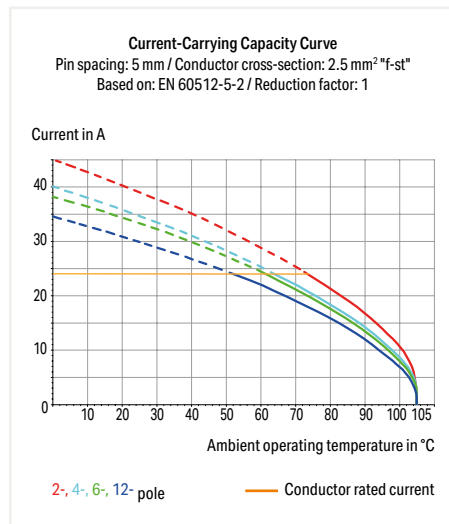
CAGE CLAMP® ▶ Actuation type: Operating tool ▶ 2.5 mm² ▶ Pin spacing: 7.62 mm / 0.3 inch ▶

Color: orange

1



- PCB terminal strips with screwdriver-actuated CAGE CLAMP® connection
- Vertical conductor entry and operating direction for space-saving positioning/grouping



Electrical Data

Pin spacing	7.62 mm / 0.3 inch		
Ratings per	IEC/EN 60664-1		
Overvoltage category	III	III	II
Pollution degree	3	2	2
Rated voltage	500 V	630 V	1000 V
Rated impulse voltage	6 kV	6 kV	6 kV
Rated current	24 A	24 A	24 A
Approbations per	UL 1059		
Use group	B	C	D
Rated voltage	300 V	-	300 V
Rated current	20 A	-	10 A
Approbations per	CSA		
Use group	B	C	D
Rated voltage	300 V	-	300 V
Rated current	8 A	-	8 A

Connection Data

Connection technology	CAGE CLAMP®
Strip length	8 ... 9 mm / 0.31 ... 0.35 inch
Conductor connection direction to PCB	90°
Solid conductor	0.08 ... 2.5 mm ² / 28 ... 12 AWG
Fine-stranded conductor	0.08 ... 2.5 mm ² / 28 ... 12 AWG
Fine-stranded conductor; with insulated ferrule	0.25 ... 1.5 mm ²
Fine-stranded conductor; with uninsulated ferrule	0.25 ... 2.5 mm ²
Note (conductor cross-section)	12 AWG: THHN, THWN

Material Data

Material group	I
Insulation material	Polyamide (PA66)
Flammability class per UL94	V0
Clamping spring material	Chrome nickel spring steel (CrNi)
Contact material	Electrolytic copper (E _{cu})
Contact plating	Tin-plated

Mechanical Data

Solder pin arrangement	Over the entire terminal strip (in-line)
Solder pin length	3.2 mm
Solder pin dimensions	0.8 x 1.2 mm
Drilled hole diameter with tolerance	1.6 ^(+0.1) mm

Environmental Requirements

Limit temperature range	-60 ... +105 °C
-------------------------	-----------------

Ferrule [Page 879](#)

Marking [Page 865](#)

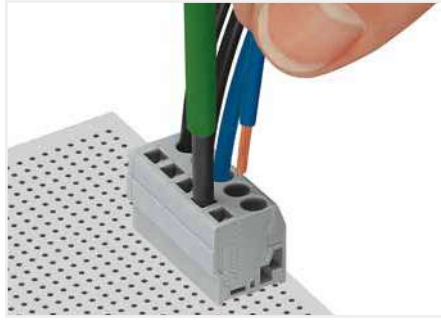
Tool [Page 870](#)

See technical section for further information

For approvals and corresponding ratings, visit www.wago.com

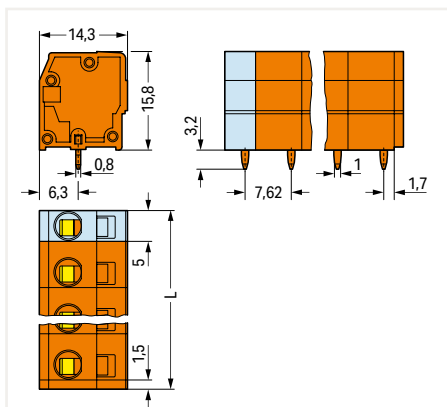
PCB terminal block ▶ 739 Series

CAGE CLAMP® ▶ Actuation type: Operating tool ▶ 2.5 mm² ▶ Pin spacing: 7.62 mm / 0.3 inch ▶ Color: orange



Inserting a conductor parallel to screwdriver actuation – 739 Series.

Pole No.	Item No.	PU (SPU)
2	739-232	320 (80)
3	739-233	220 (55)
4	739-234	160 (40)
5	739-235	120 (30)
6	739-236	100 (25)
7	739-237	80 (20)
8	739-238	80 (20)
9	739-239	60 (15)
10	739-240	60 (15)
12	739-242	40 (10)



$L = (\text{pole no.} - 1) \times \text{pin spacing} + 5 \text{ mm} + 1.5 \text{ mm}$

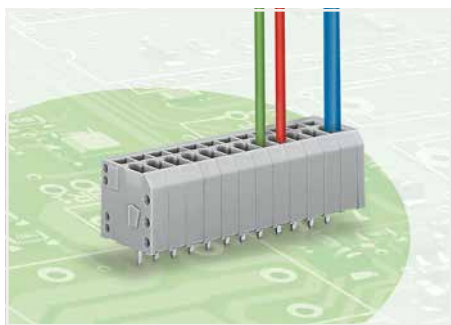
PU = Packaging Unit; SPU = Subpackaging Unit; Dimensions in mm

Other versions (or variants) can be requested from WAGO Sales or configured at <https://configurator.wago.com/>.

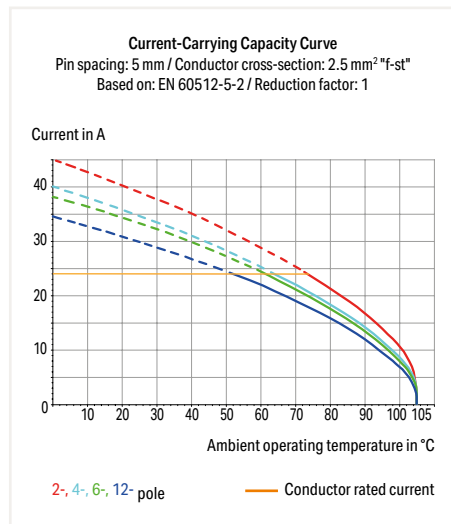
- Other pole numbers
- Other colors
- Mixed-color PCB connector strips
- Direct marking

PCB terminal block ▶ 739 Series**CAGE CLAMP® ▶ Actuation type: Operating tool ▶ 2.5 mm² ▶ Pin spacing: 10 mm / 0.394 inch ▶****Color: gray**

1



- PCB terminal strips with screwdriver-actuated CAGE CLAMP® connection
- Vertical conductor entry and operating direction for space-saving positioning/grouping

**Electrical Data**

Pin spacing	10 mm / 0.394 inch		
Ratings per	IEC/EN 60664-1		
Overvoltage category	III	III	II
Pollution degree	3	2	2
Rated voltage	1000 V	1000 V	1000 V
Rated impulse voltage	8 kV	8 kV	8 kV
Rated current	24 A	24 A	24 A
Approbations per	UL 1059		
Use group	B	C	D
Rated voltage	300 V	300 V	600 V
Rated current	20 A	12 A	5 A
Approbations per	CSA		
Use group	B	C	D
Rated voltage	300 V	300 V	600 V
Rated current	12 A	12 A	5 A

Connection Data

Connection technology	CAGE CLAMP®
Strip length	8 ... 9 mm / 0.31 ... 0.35 inch
Conductor connection direction to PCB	90°
Solid conductor	0.08 ... 2.5 mm ² / 28 ... 12 AWG
Fine-stranded conductor	0.08 ... 2.5 mm ² / 28 ... 12 AWG
Fine-stranded conductor; with insulated ferrule	0.25 ... 1.5 mm ²
Fine-stranded conductor; with uninsulated ferrule	0.25 ... 2.5 mm ²
Note (conductor cross-section)	12 AWG: THHN, THWN

Material Data

Material group	I
Insulation material	Polyamide (PA66)
Flammability class per UL94	V0
Clamping spring material	Chrome nickel spring steel (CrNi)
Contact material	Electrolytic copper (E _{cu})
Contact plating	Tin-plated

Mechanical Data

Solder pin arrangement	Over the entire terminal strip (in-line)
Solder pin length	3.2 mm
Solder pin dimensions	0.8 x 1 mm
Drilled hole diameter with tolerance	1.6 ^(+0.1) mm

Environmental Requirements

Limit temperature range	-60 ... +105 °C
-------------------------	-----------------

Ferrule Page 879

Marking Page 866

Tool Page 870

See technical section for further information

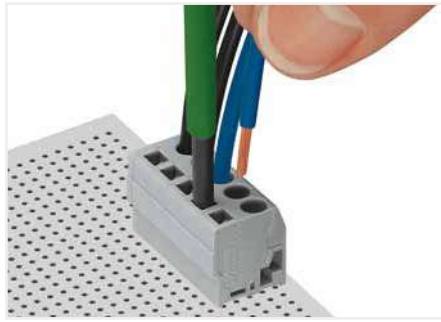
For approvals and corresponding ratings, visit www.wago.com

PCB terminal block ▶ 739 Series

CAGE CLAMP® ▶ Actuation type: Operating tool ▶ 2.5 mm² ▶ Pin spacing: 10 mm / 0.394 inch ▶ Color: gray

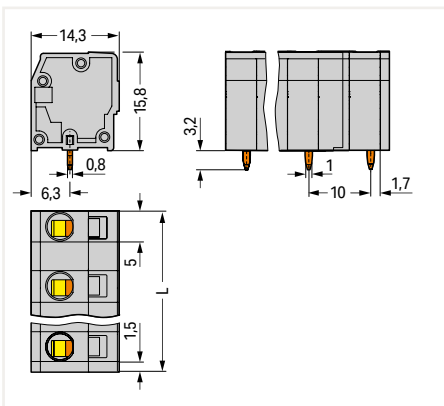


739-3205



Inserting a conductor parallel to screwdriver actuation – 739 Series.

Pole No.	Item No.	PU (SPU)
2	739-3202	280 (70)
3	739-3203	180 (45)
4	739-3204	120 (30)
9	739-3205	100 (25)
10	739-3210	40 (10)
11	739-3206	80 (20)
12	739-3212	40 (10)
13	739-3207	60 (15)
15	739-3208	60 (15)
17	739-3209	40 (10)



$L = (\text{pole no.} - 1) \times \text{pin spacing} + 5 \text{ mm} + 1.5 \text{ mm}$

PU = Packaging Unit; SPU = Subpackaging Unit; Dimensions in mm

Other versions (or variants) can be requested from WAGO Sales or configured at <https://configurator.wago.com/>.

- Other pole numbers
- Other colors
- Mixed-color PCB connector strips
- Direct marking

PCB terminal block ▶ 740 Series

CAGE CLAMP® ▶ Actuation type: Operating tool ▶ 2.5 mm² ▶ Pin spacing: 5 mm / 0.197 inch ▶ Color: gray

1



- PCB terminal strips with screwdriver-actuated CAGE CLAMP® connection
- Top-of-unit actuation
- Pin and dimensions compatible with screw-type terminal blocks of a similar design
- PCB terminal strips may be positioned adjacently without losing any poles

Electrical Data			
Pin spacing	5 mm / 0.197 inch		
Ratings per	IEC/EN 60664-1		
Overvoltage category	III	III	II
Pollution degree	3	2	2
Rated voltage	300 V	320 V	630 V
Rated impulse voltage	4 kV	4 kV	4 kV
Rated current	16 A	16 A	16 A
Approbations per	UL 1059		
Use group	B	C	D
Rated voltage	300 V	-	300 V
Rated current	10 A	-	10 A
Approbations per	CSA		
Use group	B	C	D
Rated voltage	300 V	-	300 V
Rated current	16 A	-	10 A
Connection Data			
Connection technology	CAGE CLAMP®		
Strip length	6 ... 7 mm / 0.24 ... 0.28 inch		
Conductor connection direction to PCB	0°		
Solid conductor	0.08 ... 2.5 mm ² / 28 ... 12 AWG		
Fine-stranded conductor	0.08 ... 2.5 mm ² / 28 ... 12 AWG		
Fine-stranded conductor; with insulated ferrule	0.25 ... 1.5 mm ²		
Fine-stranded conductor; with uninsulated ferrule	0.25 ... 1.5 mm ²		
Note (conductor cross-section)	12 AWG: THHN, THWN		
Material Data			
Material group	I		
Insulation material	Polyamide (PA66)		
Flammability class per UL94	V0		
Clamping spring material	Chrome nickel spring steel (CrNi)		
Contact material	Electrolytic copper (E _{cu})		
Contact plating	Tin-plated		
Mechanical Data			
Solder pin arrangement	Over the entire terminal strip (in-line)		
Solder pin length	5.1 mm		
Solder pin dimensions	0.8 x 1 mm		
Drilled hole diameter with tolerance	1.3 ^(±0.1) mm		
Environmental Requirements			
Limit temperature range	-60 ... +105 °C		

Ferrule	Page 879
---------	----------

Marking	Page 865
---------	----------

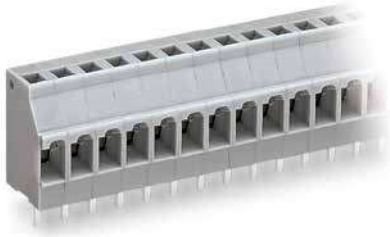
Tool	Page 870
------	----------

See technical section for further information

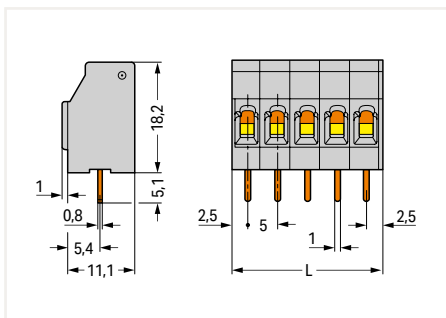
For approvals and corresponding ratings, visit www.wago.com

PCB terminal block ▶ 740 Series

CAGE CLAMP® ▶ Actuation type: Operating tool ▶ 2.5 mm² ▶ Pin spacing: 5 mm / 0.197 inch ▶ Color: gray



Pole No.	Item No.	PU (SPU)
2	740-102	460 (115)
3	740-103	300 (75)
4	740-104	240 (60)
5	740-105	180 (45)
6	740-106	140 (35)
7	740-107	120 (30)
8	740-108	100 (25)
9	740-109	100 (25)
10	740-110	80 (20)
12	740-112	60 (15)
16	740-116	60 (15)
24	740-124	40 (10)



L = pole no. x pin spacing

PU = Packaging Unit; SPU = Subpackaging Unit; Dimensions in mm

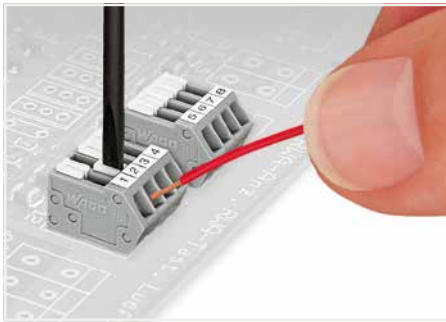
Other versions (or variants) can be requested from WAGO Sales or configured at <https://configurator.wago.com/>.

- Other pole numbers
- Other colors
- Mixed-color PCB connector strips
- Direct marking

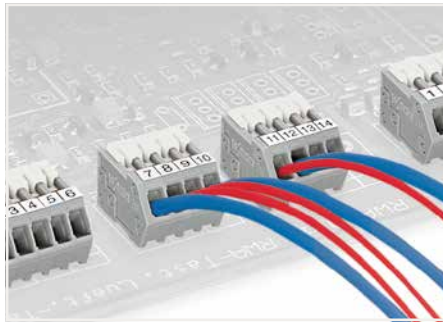
218 Series

Description and Installation

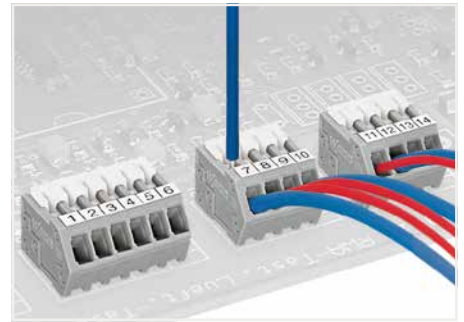
1



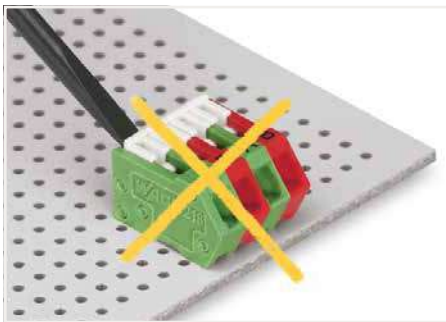
Terminating stranded conductors in confined spaces requires a great deal of patience, unless you use the new 218 Series PCB Terminal Strips. The clamping units of these strips can be held open during termination process via integrated locking slide.



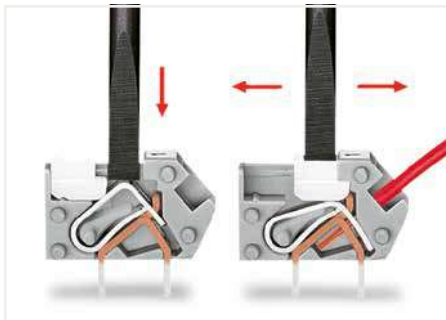
Terminating 0.75 mm² (18 AWG) conductors is possible; however, insulation diameter allows only every other clamping unit to be terminated with this conductor size.



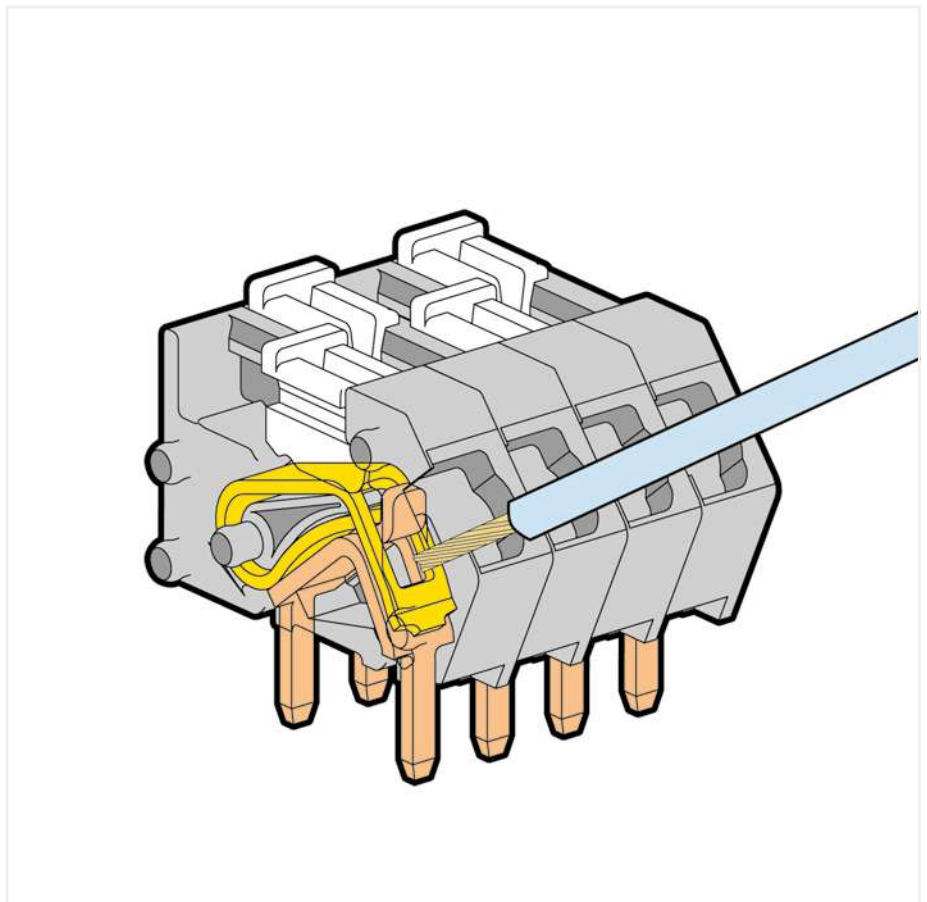
Testing directly on the clamping spring.



Incorrect – do not operate the locking slides from the back.



Conductor termination: To momentarily open the clamping unit, use screwdriver and then insert a stripped conductor. To open clamping unit for an extended period, move locking slide toward conductor entry hole. Then fully insert stripped conductor and move locking slide back to original position (also possible to perform with fingernail).



218 Series



Insulating housings are available in different colors.



Labeling with self-adhesive marking strips.



Labeling via factory direct marking.

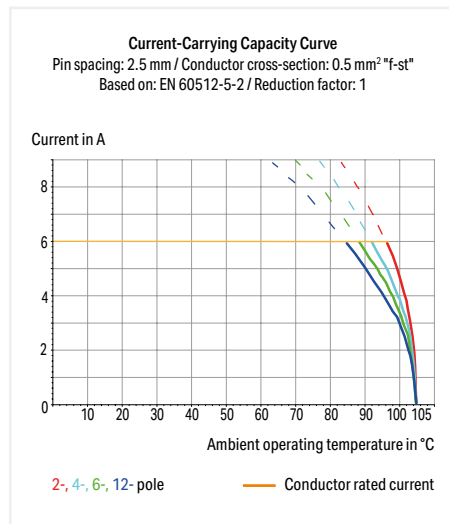
PCB terminal block ▶ 218 Series

CAGE CLAMP® ▶ Actuation type: Slider ▶ 0.5 mm² ▶ Color: gray

1



- Terminal strips are just 8.1 mm tall and feature an innovative, locking slide-actuated CAGE CLAMP®
- Several clamping units can be held open simultaneously
- Easily terminate stranded conductors in tight spaces (e.g., bus connectors)

**Electrical Data**

Pin spacing	2.54 mm / 0.1 inch; 2.5 mm / 0.098 inch		
Ratings per	IEC/EN 60664-1		
Overvoltage category	III	III	II
Pollution degree	3	2	2
Rated voltage	80 V	160 V	320 V
Rated impulse voltage	2.5 kV	2.5 kV	2.5 kV
Rated current	6 A	6 A	6 A
Approbations per	UL 1059		
Use group	B	C	D
Rated voltage	150 V	-	-
Rated current	4 A	-	-
Approbations per	CSA		
Use group	B	C	D
Rated voltage	150 V	-	-
Rated current	4 A	-	-

Connection Data

Connection technology	CAGE CLAMP®
Strip length	5 ... 6 mm / 0.2 ... 0.24 inch
Conductor connection direction to PCB	40°
Solid conductor	0.08 ... 0.5 mm ² / 28 ... 20 AWG
Fine-stranded conductor	0.08 ... 0.5 mm ² / 28 ... 20 AWG
Fine-stranded conductor; with insulated ferrule	0.25 mm ²
Fine-stranded conductor; with uninsulated ferrule	0.25 mm ²
Note (conductor cross-section)	Terminating 0.75 mm ² /18 AWG conductors is possible; however insulation diameter allows only every other clamping unit to be terminated with this conductor size.

Material Data

Material group	I
Insulation material	Polyamide (PA66)
Flammability class per UL94	V0
Clamping spring material	Chrome nickel spring steel (CrNi)
Contact material	Electrolytic copper (E _{cu})
Contact plating	Tin-plated

Mechanical Data

Solder pin arrangement	Over the entire terminal strip (in-line)
Solder pin length	2.8 mm
Solder pin dimensions	0.5 x 0.75 mm
Drilled hole diameter with tolerance	1.1 ^(+0.1) mm

Environmental Requirements

Limit temperature range	-60 ... +105 °C
--------------------------------	-----------------

Ferrule	Page 879
---------	----------

Marking	Page 864
---------	----------

Test and measurement	Page 886
----------------------	----------

Tool	Page 870
------	----------

See technical section for further information

For approvals and corresponding ratings, visit www.wago.com

PCB terminal block ▶ 218 Series

CAGE CLAMP® ▶ Actuation type: Slider ▶ 0.5 mm² ▶ Color: gray

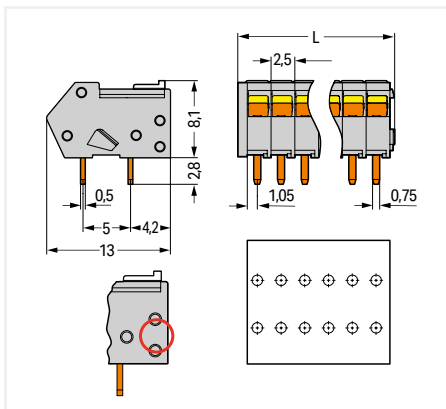
Pin spacing: 2.5 mm / 0.098 inch

Pin spacing: 2.54 mm / 0.1 inch

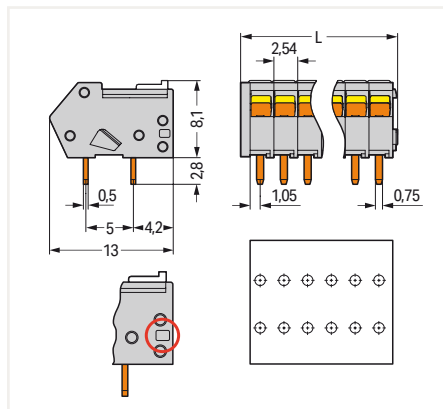


1

Pole No.	Item No.	PU (SPU)	Pole No.	Item No.	PU (SPU)
2	218-102	1000 (100)	2	218-502	1000 (100)
3	218-103	1000 (100)	3	218-503	1000 (100)
4	218-104	500 (100)	4	218-504	500 (100)
5	218-105	500 (100)	5	218-505	500 (100)
6	218-106	280 (70)	6	218-506	280 (70)
7	218-107	240 (60)	7	218-507	240 (60)
8	218-108	220 (55)	8	218-508	220 (55)
9	218-109	200 (50)	9	218-509	180 (45)
10	218-110	180 (45)	10	218-510	160 (40)
11	218-111	160 (40)	11	218-511	160 (40)
12	218-112	140 (35)	12	218-512	140 (35)
13	218-113	140 (35)	13	218-513	140 (35)
14	218-114	120 (30)	14	218-514	120 (30)
15	218-115	120 (30)	15	218-515	120 (30)
16	218-116	100 (25)	16	218-516	100 (25)
17	218-117	100 (25)	17	218-517	100 (25)
18	218-118	100 (25)	18	218-518	100 (25)
19	218-119	80 (20)	19	218-519	80 (20)
20	218-120	80 (20)	20	218-520	80 (20)
21	218-121	80 (20)	21	218-521	80 (20)
22	218-122	80 (20)	22	218-522	80 (20)
23	218-123	80 (20)	23	218-523	80 (20)
24	218-124	60 (15)	24	218-524	60 (15)



L = (pole no. x pin spacing) + 1.5 mm



L = (pole no. x pin spacing) + 1.5 mm
A groove at the back of the terminal strip indicates the 2.54 mm pin spacing (red circle).

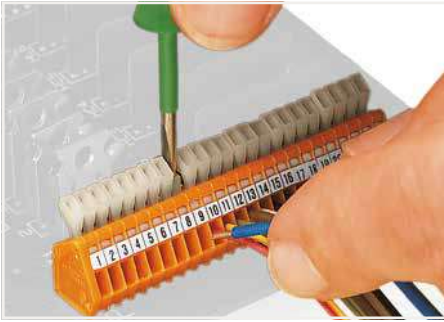
PU = Packaging Unit; SPU = Subpackaging Unit; Dimensions in mm

Other versions (or variants) can be requested from WAGO Sales or configured at <https://configurator.wago.com/>.

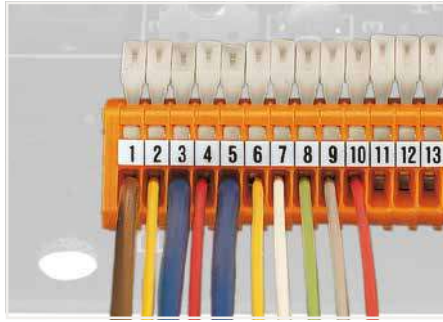
- Other pole numbers
- Other colors
- Mixed-color PCB connector strips
- Direct marking

233 and 234 Series Description and Installation

1



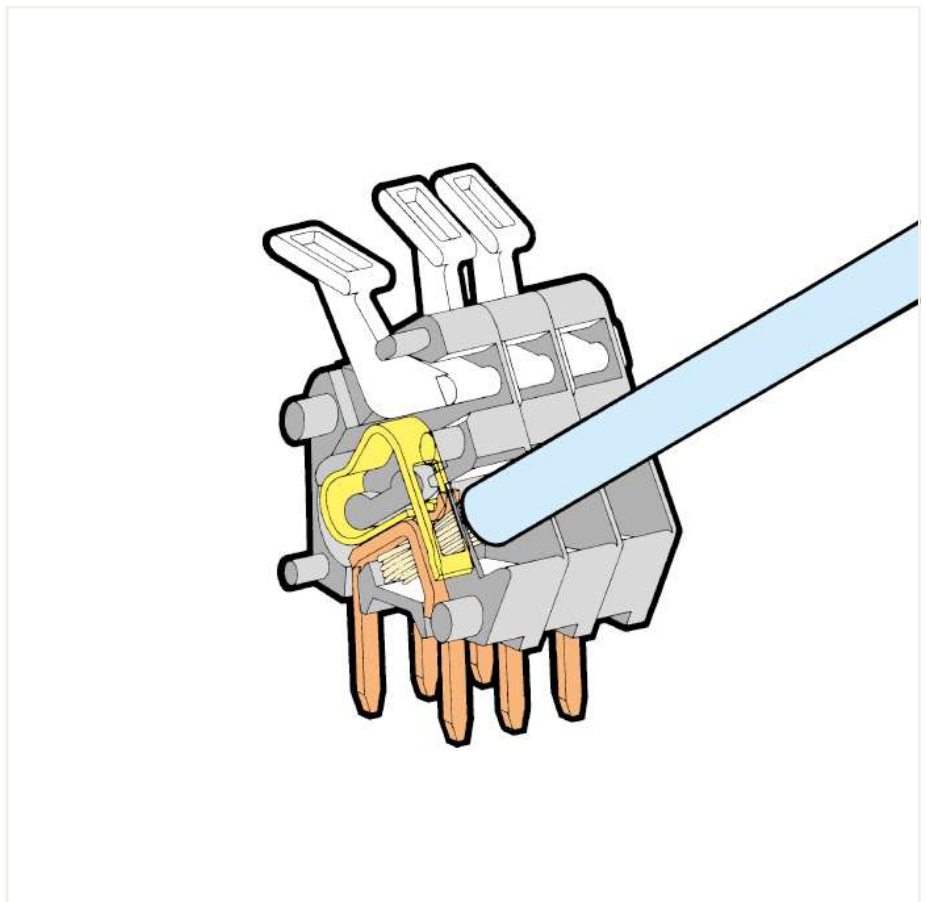
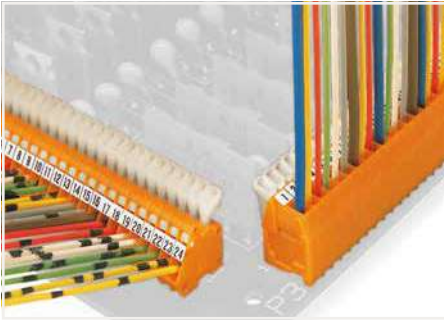
Inserting/removing a conductor.



Nominal cross-section: 0.5 mm² (20 AWG);
0.75 mm² (18 AWG) only in every other position



Labeling via factory direct marking or self-adhesive marking strips.



233 Series

234 Series Description and Installation



Inserting/removing a conductor.

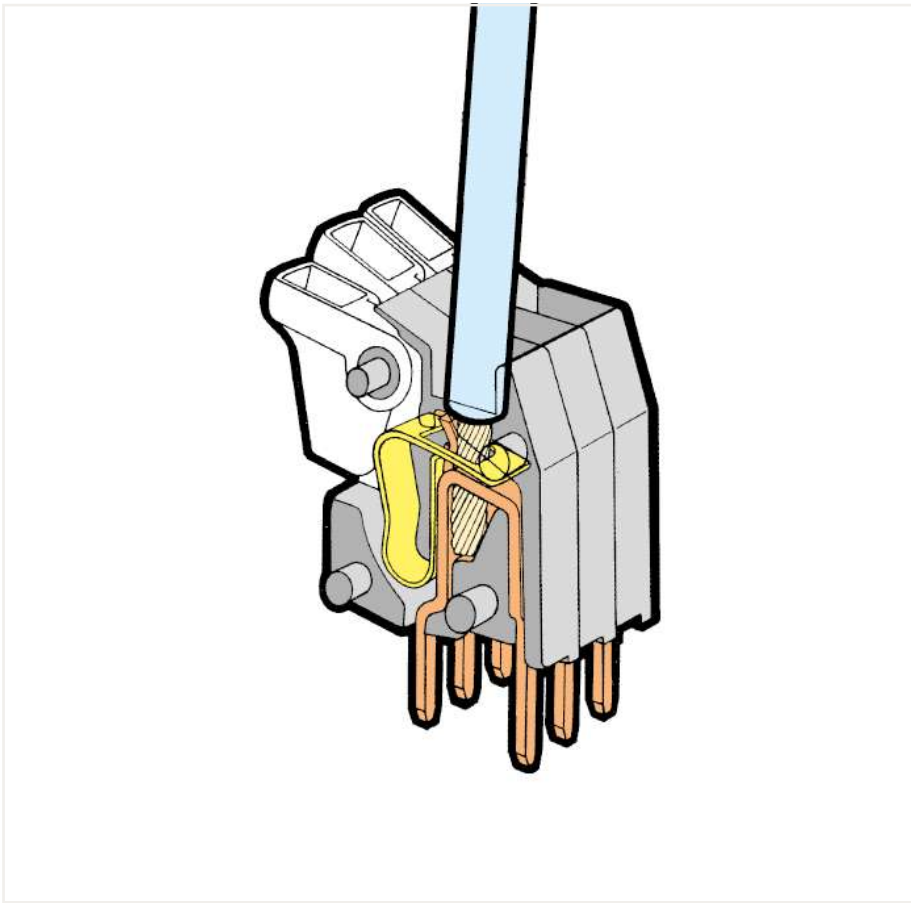


Nominal cross-section: 0.5 mm² (20 AWG);
0.75 mm² (18 AWG) only in every other position

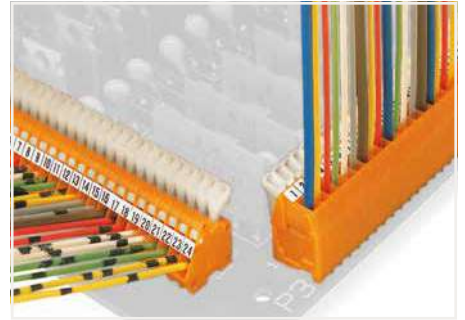


Labeling via self-adhesive marking strips or factory direct marking.

1



234 Series



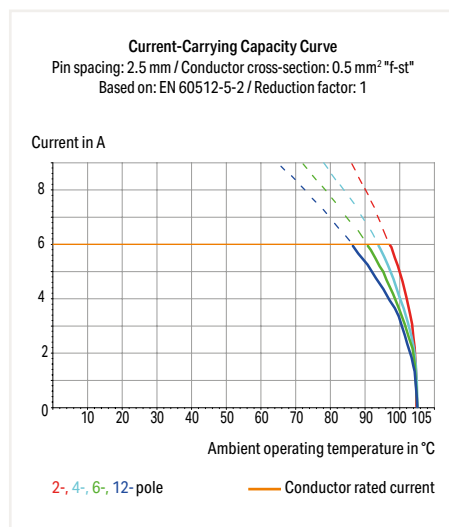
PCB terminal block ▶ 233 Series

CAGE CLAMP® ▶ Actuation type: Push-button ▶ 0.5 mm²

1



- Compact PCB terminal strips with CAGE CLAMP® connection and screwdriver actuation parallel or perpendicular to conductor entry
- Double solder pins for high mechanical
- Custom color combinations



Electrical Data

Pin spacing	2.54 mm / 0.1 inch; 2.5 mm / 0.098 inch		
Ratings per	IEC/EN 60664-1		
Overvoltage category	III	III	II
Pollution degree	3	2	2
Rated voltage	63 V	160 V	320 V
Rated impulse voltage	2.5 kV	2.5 kV	2.5 kV
Rated current	6 A	6 A	6 A
Approbations per	UL 1059		
Use group	B	C	D
Rated voltage	150 V	-	-
Rated current	4 A	-	-
Approbations per	CSA		
Use group	B	C	D
Rated voltage	150 V	-	-
Rated current	4 A	-	-

Connection Data

Connection technology	CAGE CLAMP®
Strip length	5 ... 6 mm / 0.2 ... 0.24 inch
Conductor connection direction to PCB	30 °
Solid conductor	0.08 ... 0.5 mm ² / 28 ... 20 AWG
Fine-stranded conductor	0.08 ... 0.5 mm ² / 28 ... 20 AWG
Fine-stranded conductor; with insulated ferrule	0.25 mm ²
Fine-stranded conductor; with uninsulated ferrule	0.25 mm ²
Note (conductor cross-section)	Terminating 0.75 mm ² /18 AWG conductors is possible; however insulation diameter allows only every other clamping unit to be terminated with this conductor size.

Material Data

Material group	I
Insulation material	Polyamide (PA66)
Flammability class per UL94	V0
Clamping spring material	Chrome nickel spring steel (CrNi)
Contact material	Electrolytic copper (E _{cu})
Contact plating	Tin-plated

Mechanical Data

Solder pin arrangement	Over the entire terminal strip (in-line)
Solder pin length	4 mm
Solder pin dimensions	0.5 x 0.75 mm
Drilled hole diameter with tolerance	1.1 (+0.1) mm

Environmental Requirements

Limit temperature range	-60 ... +105 °C
--------------------------------	-----------------

Ferrule [Page 879](#)

Marking [Page 864](#)

Tool [Page 870](#)

See technical section for further information

For approvals and corresponding ratings, visit www.wago.com

PCB terminal block ▶ 233 Series

CAGE CLAMP® ▶ Actuation type: Push-button ▶ 0.5 mm²

Pin spacing: 2.5 mm / 0.098 inch ▶ Color: gray

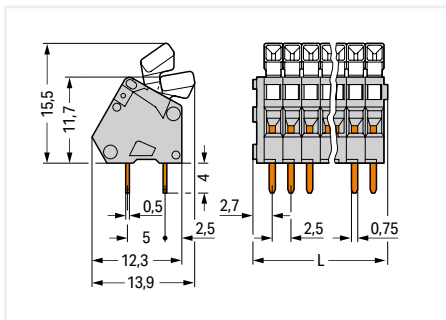
Pin spacing: 2.54 mm / 0.1 inch ▶ Color: orange

1

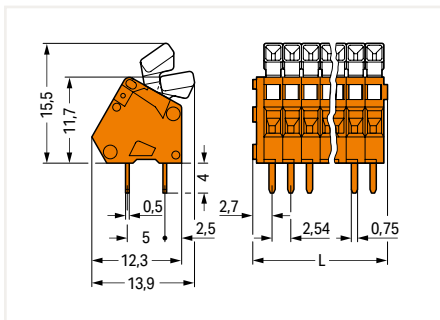


Pole No.	Item No.	PU (SPU)
2	233-202	600 (100)
3	233-203	500 (125)
4	233-204	400 (100)
5	233-205	340 (85)
6	233-206	280 (70)
7	233-207	240 (60)
8	233-208	220 (55)
9	233-209	200 (50)
10	233-210	180 (45)
12	233-212	140 (35)

Pole No.	Item No.	PU (SPU)
2	233-502	600 (100)
3	233-503	500 (125)
4	233-504	400 (100)
5	233-505	340 (85)
6	233-506	280 (70)
7	233-507	240 (60)
8	233-508	220 (55)
9	233-509	200 (50)
10	233-510	180 (45)
12	233-512	140 (35)



L = (pole no. x pin spacing) + 2.3 mm



L = (pole no. x pin spacing) + 2.3 mm

PU = Packaging Unit; SPU = Subpackaging Unit; Dimensions in mm

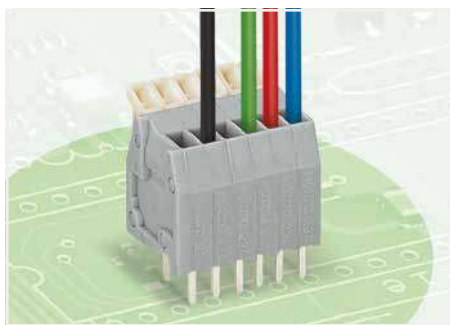
Other versions (or variants) can be requested from WAGO Sales or configured at <https://configurator.wago.com/>.

- Other pole numbers
- Other colors
- Mixed-color PCB connector strips
- Direct marking

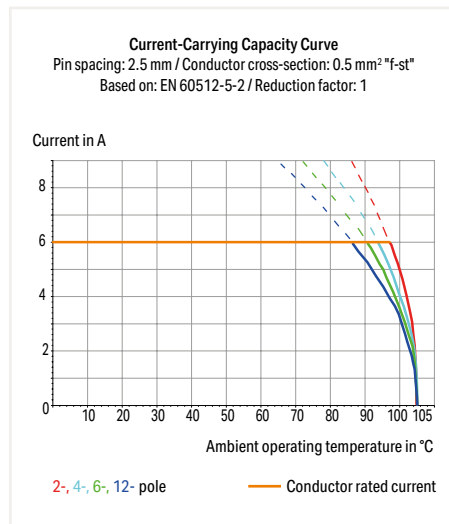
PCB terminal block ▶ 234 Series

CAGE CLAMP® ▶ Actuation type: Push-button ▶ 0.5 mm²

1



- PCB terminal strips with push-buttons and CAGE CLAMP® connection
- Double solder pins for high mechanical stability on PCB
- Ideal for in-the-field wiring thanks to simplified push-button actuation
- Convenient, tool-free operation

**Electrical Data**

Pin spacing	2.54 mm / 0.1 inch; 2.5 mm / 0.098 inch		
Ratings per	IEC/EN 60664-1		
Overvoltage category	III	III	II
Pollution degree	3	2	2
Rated voltage	63 V	160 V	320 V
Rated impulse voltage	2.5 kV	2.5 kV	2.5 kV
Rated current	6 A	6 A	6 A
Approbations per	UL 1059		
Use group	B	C	D
Rated voltage	150 V	-	-
Rated current	4 A	-	-
Approbations per	CSA		
Use group	B	C	D
Rated voltage	150 V	-	-
Rated current	4 A	-	-

Connection Data

Connection technology	CAGE CLAMP®
Strip length	5 ... 6 mm / 0.2 ... 0.24 inch
Conductor connection direction to PCB	90°
Solid conductor	0.08 ... 0.5 mm ² / 28 ... 20 AWG
Fine-stranded conductor	0.08 ... 0.5 mm ² / 28 ... 20 AWG
Fine-stranded conductor; with insulated ferrule	0.25 mm ²
Fine-stranded conductor; with uninsulated ferrule	0.25 mm ²

Material Data

Material group	I
Insulation material	Polyamide (PA66)
Flammability class per UL94	V0
Clamping spring material	Chrome nickel spring steel (CrNi)
Contact material	Electrolytic copper (E _{cu})
Contact plating	Tin-plated

Mechanical Data

Solder pin arrangement	Over the entire terminal strip (in-line)
Solder pin length	4 mm
Solder pin dimensions	0.5 x 0.75 mm
Drilled hole diameter with tolerance	1.1 ^(+0.1) mm

Environmental Requirements

Limit temperature range	-60 ... +105 °C
--------------------------------	-----------------

Ferrule	Page 879
---------	----------

Marking	Page 864
---------	----------

Tool	Page 870
------	----------

See technical section for further information

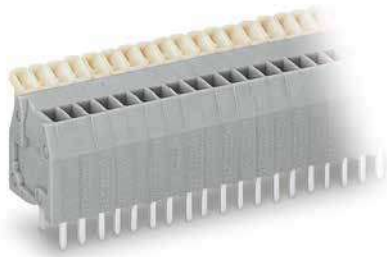
For approvals and corresponding ratings, visit www.wago.com

PCB terminal block ▶ 234 Series

CAGE CLAMP® ▶ Actuation type: Push-button ▶ 0.5 mm²

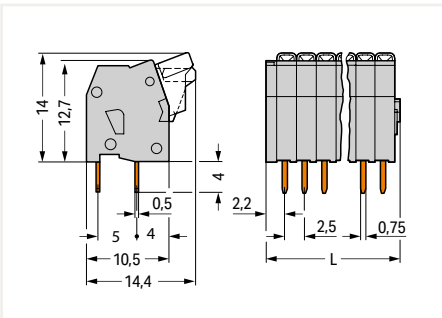
Pin spacing: 2.5 mm / 0.098 inch ▶ Color: gray

Pin spacing: 2.54 mm / 0.1 inch ▶ Color: orange

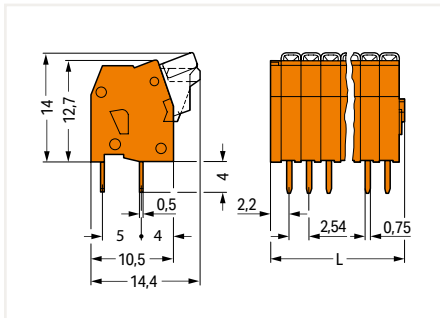


Pole No.	Item No.	PU (SPU)
2	234-202	600 (100)
3	234-203	520 (130)
4	234-204	400 (100)
5	234-205	340 (85)
6	234-206	280 (70)
7	234-207	240 (60)
8	234-208	220 (55)
9	234-209	200 (50)
10	234-210	180 (45)
12	234-212	140 (35)

Pole No.	Item No.	PU (SPU)
2	234-502	600 (100)
3	234-503	520 (130)
4	234-504	400 (100)
5	234-505	340 (85)
6	234-506	280 (70)
7	234-507	240 (60)
8	234-508	220 (55)
9	234-509	200 (50)
10	234-510	180 (45)
12	234-512	140 (35)



L = (pole no. x pin spacing) + 2.2 mm



L = (pole no. x pin spacing) + 2.2 mm

PU = Packaging Unit; SPU = Subpackaging Unit; Dimensions in mm

Other versions (or variants) can be requested from WAGO Sales or configured at <https://configurator.wago.com/>.

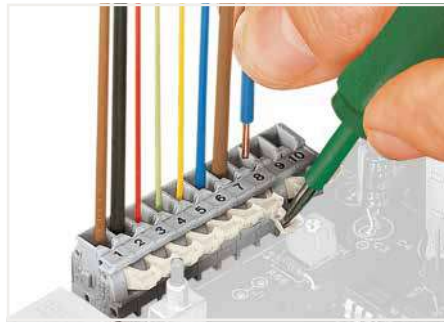
- Other pole numbers
- Other colors
- Mixed-color PCB connector strips
- Direct marking

255, 256 and 257 Series Description and Installation

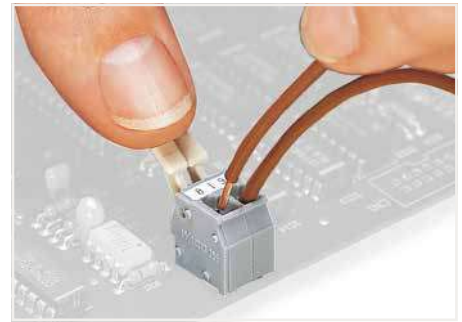
1



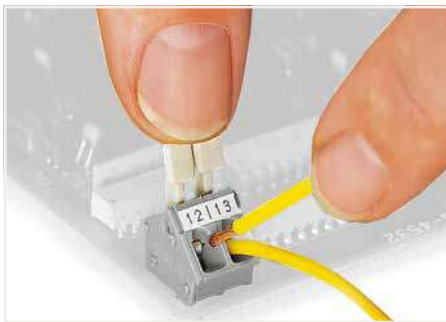
Inserting/removing a conductor – 256 Series.



Inserting/removing a conductor – 255 Series.



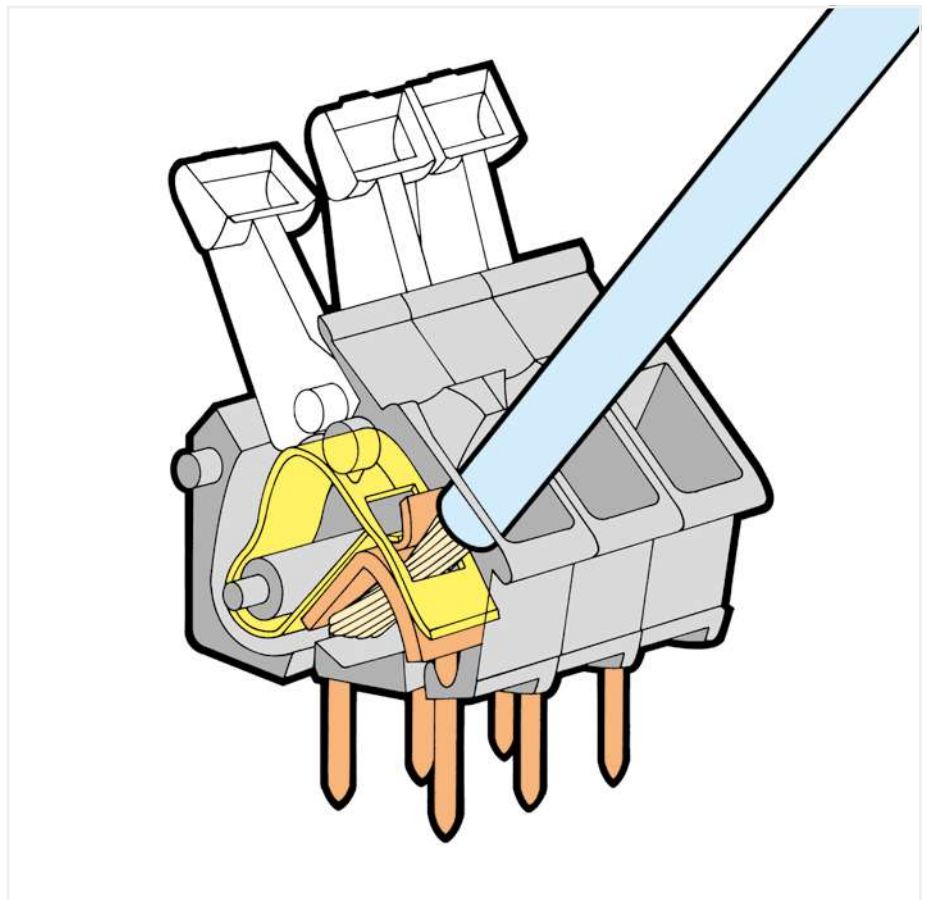
Inserting/removing a conductor via finger-operated lever – 255 Series.



Inserting/removing a conductor via finger-operated lever – 256 Series.



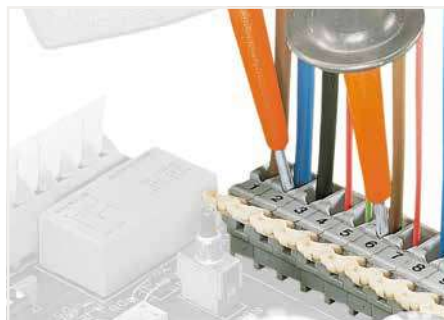
Possible conductor arrangement with terminal strips staggered (for 256 Series only).



255, 256 and 257 Series



Formation of groups using housings of different colors.



Testing with test probes.

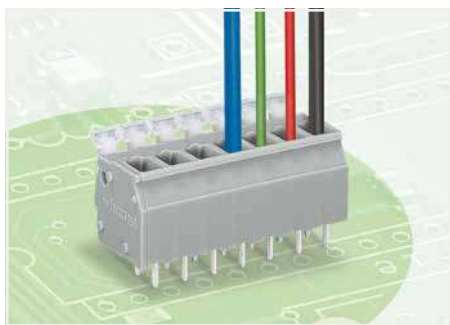


Testing with test plug modules.

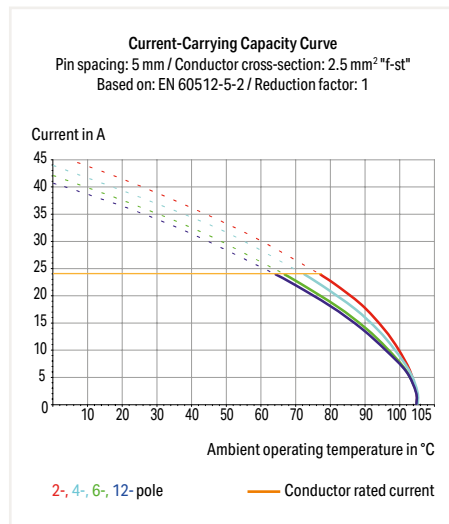
Stackable PCB terminal block ▶ 255 Series

CAGE CLAMP® ▶ Actuation type: Push-button ▶ 2.5 mm²

1



- PCB terminal blocks with push-buttons and CAGE CLAMP® connection
- Versions with Ex approval
- Set to metric or inch pin spacing by compressing PCB terminal strips or pulling them apart
- Ideal for in-the-field wiring thanks to simplified push-button actuation
- Convenient, tool-free operation



Electrical Data									
Pin spacing	5/5.08 mm / 0.197/0.2 inch			7.5/7.62 mm / 0.295/0.3 inch			10/10.16 mm / 0.394/0.4 inch		
Ratings per	IEC/EN 60664-1			IEC/EN 60664-1			IEC/EN 60664-1		
Overtoltage category	III	III	II	III	III	II	III	III	II
Pollution degree	3	2	2	3	2	2	3	2	2
Rated voltage	320 V	320 V	630 V	500 V	630 V	1000 V	630 V	1000 V	1000 V
Rated impulse voltage	4 kV	4 kV	4 kV	6 kV	6 kV	6 kV	8 kV	8 kV	8 kV
Rated current	24 A	24 A	24 A	24 A	24 A	24 A	24 A	24 A	24 A
Approbations per	UL 1059			UL 1059			UL 1059		
Use group	B	C	D	B	C	D	B	C	D
Rated voltage	300 V	-	300 V	300 V	-	300 V	300 V	-	300 V
Rated current	15 A	-	10 A	15 A	-	10 A	15 A	-	10 A
Approbations per	CSA			CSA			CSA		
Use group	B	C	D	B	C	D	B	C	D
Rated voltage	300 V	-	300 V	300 V	-	300 V	300 V	-	300 V
Rated current	15 A	-	10 A	15 A	-	10 A	15 A	-	10 A

Connection Data	
Connection technology	CAGE CLAMP®
Strip length	5 ... 6 mm / 0.2 ... 0.24 inch
Conductor connection direction to PCB	90 °
Solid conductor	0.08 ... 2.5 mm ² / 28 ... 12 AWG
Fine-stranded conductor	0.08 ... 2.5 mm ² / 28 ... 12 AWG
Fine-stranded conductor; with insulated ferrule	0.25 ... 1.5 mm ²
Fine-stranded conductor; with uninsulated ferrule	0.25 ... 1.5 mm ²
Note (conductor cross-section)	12 AWG: THHN, THWN

Material Data	
Material group	I
Insulation material	Polyamide (PA66)
Flammability class per UL94	V0
Clamping spring material	Chrome nickel spring steel (CrNi)
Contact material	Electrolytic copper (E _{cu})
Contact plating	Tin-plated

Mechanical Data	
Solder pin arrangement	Within the terminal block (in-line)
Solder pin length	4 mm
Solder pin dimensions	0.7 x 0.7 mm
Drilled hole diameter with tolerance	1.1 ^(+0.1) mm

Environmental Requirements	
Limit temperature range	-60 ... +105 °C

Ferrule	Page 879
Marking	Page 865
Test and measurement	Page 258
Tool	Page 870
Commoning strips	Page 262

See technical section for further information

For approvals and corresponding ratings, visit www.wago.com

Stackable PCB terminal block ▶ 255 Series

CAGE CLAMP® ▶ Actuation type: Push-button ▶ 2.5 mm²

Pin spacing: 5/5.08 mm / 0.197/0.2 inch

Pin spacing: 7.5/7.62 mm / 0.295/0.3 inch

Pin spacing: 10/10.16 mm / 0.394/0.4 inch



255-401

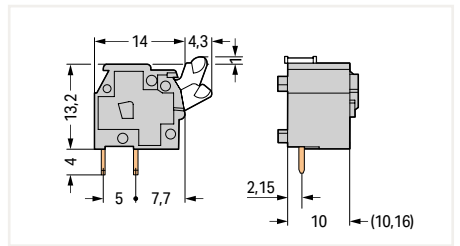
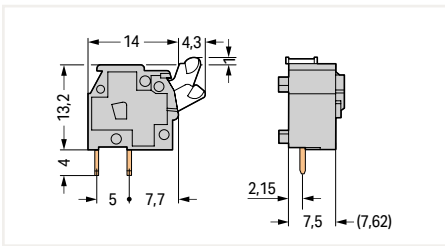
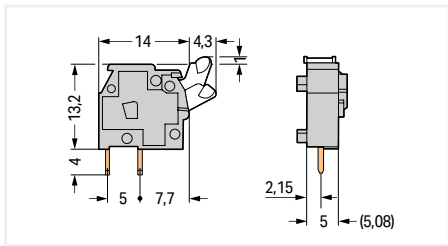
255-501

255-601

Color	Item No.	PU (SPU)
gray	255-401	500 (100)
blue	255-744	500 (100)
orange	255-746	500 (100)
black	255-748	500 (100)
yellow	255-741	500 (100)
light gray	255-743	500 (100)
light green	255-747	500 (100)
red	255-740	500 (100)
dark gray	255-742	500 (100)

Color	Item No.	PU (SPU)
gray	255-501	400 (100)
blue	255-754	400 (100)
orange	255-756	400 (100)
black	255-758	400 (100)
yellow	255-751	400 (100)
light gray	255-753	400 (100)
light green	255-757	400 (100)
red	255-750	400 (100)
dark gray	255-752	400 (100)

Color	Item No.	PU (SPU)
gray	255-601	300 (100)
blue	255-764	300 (100)
orange	255-766	300 (100)
black	255-768	300 (100)
yellow	255-761	300 (100)
light gray	255-763	300 (100)
light green	255-767	300 (100)
red	255-760	300 (100)
dark gray	255-762	300 (100)



Accessories; for all products on this page



End plate; Width: 1 mm; Snap-on type

Color	Item No.	PU (SPU)
gray	255-100	2000 (100)

End plate; Width: 1 mm; snap-on type

Color	Item No.	PU (SPU)
blue	255-400	2000 (100)
orange	255-600	2000 (100)
black	255-800	2000 (100)
light gray	255-300	2000 (100)
light green	255-700	2000 (100)
red	255-500	2000 (100)
dark gray	255-200	2000 (100)

Intermediate plate; Extends pin spacing; Width: 5.08 mm / 0.2 inch

Color	Item No.	PU (SPU)
gray	255-801	500 (100)



Intermediate plate; Extends pin spacing; Width: 7.62 mm / 0.3 inch

Color	Item No.	PU (SPU)
gray	255-811	400 (100)

Intermediate plate; Extends pin spacing; Width: 10.16 mm / 0.4 inch

Color	Item No.	PU (SPU)
gray	255-821	500 (100)

PU = Packaging Unit; SPU = Subpackaging Unit; Dimensions in mm

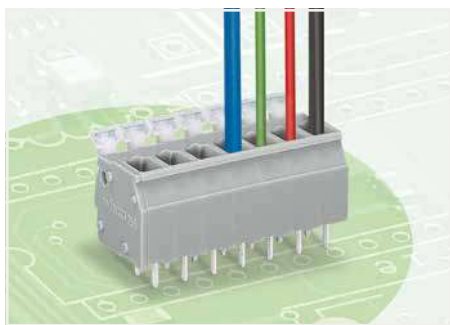
Other versions (or variants) can be requested from WAGO Sales or configured at <https://configurator.wago.com/>.

- Other colors
- Versions for Ex e II and Ex i

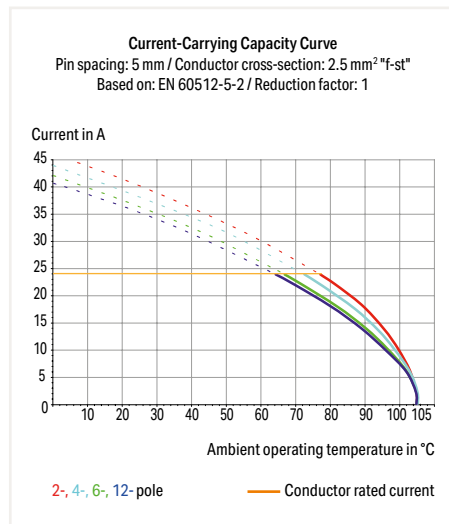
PCB terminal block ▶ 255 Series

CAGE CLAMP® ▶ Actuation type: Push-button ▶ 2.5 mm² ▶ Color: gray

1



- PCB terminal blocks with push-buttons and CAGE CLAMP® connection
- Versions with Ex approval
- Set to metric or inch pin spacing by compressing PCB terminal strips or pulling them apart
- Ideal for in-the-field wiring thanks to simplified push-button actuation
- Convenient, tool-free operation



Electrical Data									
Pin spacing	5/5.08 mm / 0.197/0.2 inch			7.5/7.62 mm / 0.295/0.3 inch			10/10.16 mm / 0.394/0.4 inch		
Ratings per	IEC/EN 60664-1			IEC/EN 60664-1			IEC/EN 60664-1		
Overtoltage category	III	III	II	III	III	II	III	III	II
Pollution degree	3	2	2	3	2	2	3	2	2
Rated voltage	320 V	320 V	630 V	500 V	630 V	1000 V	630 V	1000 V	1000 V
Rated impulse voltage	4 kV	4 kV	4 kV	6 kV	6 kV	6 kV	8 kV	8 kV	8 kV
Rated current	24 A	24 A	24 A	24 A	24 A	24 A	24 A	24 A	24 A
Approbations per	UL 1059			UL 1059			UL 1059		
Use group	B	C	D	B	C	D	B	C	D
Rated voltage	300 V	-	300 V	300 V	-	300 V	300 V	-	300 V
Rated current	15 A	-	10 A	15 A	-	10 A	15 A	-	10 A
Approbations per	CSA			CSA			CSA		
Use group	B	C	D	B	C	D	B	C	D
Rated voltage	300 V	-	300 V	300 V	-	300 V	300 V	-	300 V
Rated current	15 A	-	10 A	15 A	-	10 A	15 A	-	10 A

Connection Data	
Connection technology	CAGE CLAMP®
Strip length	5 ... 6 mm / 0.2 ... 0.24 inch
Conductor connection direction to PCB	90°
Fine-stranded conductor	0.08 ... 2.5 mm ² / 28 ... 12 AWG
Fine-stranded conductor; with insulated ferrule	0.25 ... 1.5 mm ²
Fine-stranded conductor; with uninsulated ferrule	0.25 ... 1.5 mm ²
Note (conductor cross-section)	12 AWG: THHN, THWN

Material Data	
Material group	I
Insulation material	Polyamide (PA66)
Flammability class per UL94	V0
Clamping spring material	Chrome nickel spring steel (CrNi)
Contact material	Electrolytic copper (E _{cu})
Contact plating	Tin-plated

Mechanical Data	
Solder pin arrangement	Over the entire terminal strip (in-line)
Solder pin length	4 mm
Solder pin dimensions	0.7 x 0.7 mm
Drilled hole diameter with tolerance	1.1 ^(+0.1) mm

Environmental Requirements	
Limit temperature range	-60 ... +105 °C

Ferrule	Page 879
Marking	Page 865
Test and measurement	Page 258
Tool	Page 870
Commoning strips	Page 262

See technical section for further information

For approvals and corresponding ratings, visit www.wago.com

PCB terminal block ▶ 255 Series

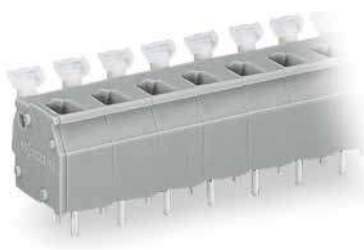
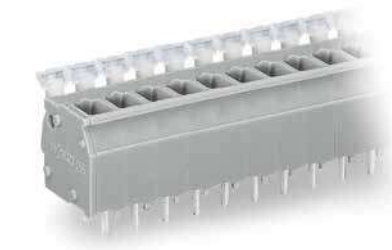
CAGE CLAMP® ▶ Actuation type: Push-button ▶ 2.5 mm² ▶ Color: gray

Pin spacing: 5/5.08 mm / 0.197/0.2 inch

Pin spacing: 7.5/7.62 mm / 0.295/0.3 inch

Pin spacing: 10/10.16 mm / 0.394/0.4 inch

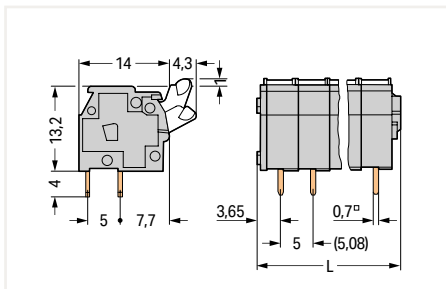
1



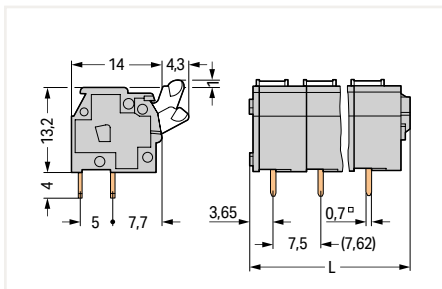
Pole No.	Item No.	PU (SPU)
2	255-402	400 (100)
3	255-403	280 (70)
4	255-404	200 (50)
5	255-405	160 (40)
6	255-406	140 (35)
7	255-407	120 (30)
8	255-408	100 (25)
9	255-409	100 (25)
10	255-410	80 (20)
12	255-412	60 (15)

Pole No.	Item No.	PU (SPU)
2	255-502	280 (70)
3	255-503	180 (45)
4	255-504	140 (35)
5	255-505	120 (30)
6	255-506	100 (25)
7	255-507	80 (20)
8	255-508	60 (15)
9	255-509	60 (15)
10	255-510	60 (15)
12	255-512	40 (10)

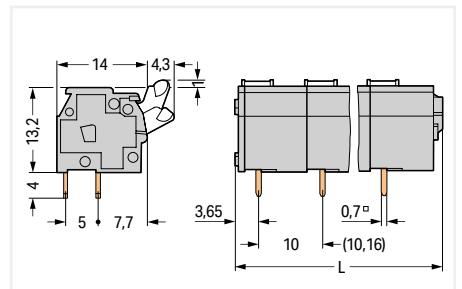
Pole No.	Item No.	PU (SPU)
2	255-602	200 (50)
3	255-603	140 (35)
4	255-604	100 (25)
5	255-605	80 (20)
6	255-606	60 (15)
7	255-607	60 (15)
8	255-608	60 (15)
9	255-609	40 (10)
10	255-610	40 (10)
12	255-612	40 (10)



L = (pole no. x pin spacing) + 2.9 mm



L = (pole no. x pin spacing) + 2.9 mm



L = (pole no. x pin spacing) + 2.9 mm

PU = Packaging Unit; SPU = Subpackaging Unit; Dimensions in mm

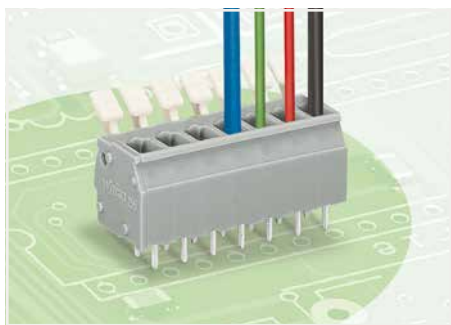
Other versions (or variants) can be requested from WAGO Sales or configured at <https://configurator.wago.com/>.

- Other pole numbers
- Versions for Ex e II and Ex i
- Other colors
- Mixed-color PCB connector strips
- Direct marking

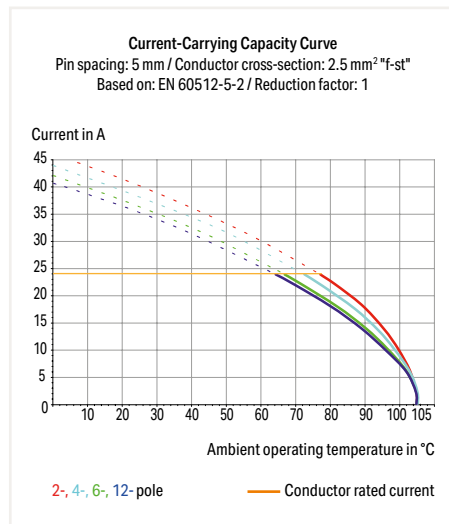
PCB terminal block ▶ 255 Series

CAGE CLAMP® ▶ Actuation type: Finger-operated lever ▶ 2.5 mm² ▶ Color: gray

1



- PCB terminal blocks with push-buttons and CAGE CLAMP® connection
- Versions with Ex approval
- Set to metric or inch pin spacing by compressing PCB terminal strips or pulling them apart
- Ideal for in-the-field wiring thanks to simplified push-button actuation
- Convenient, tool-free operation



Electrical Data									
Pin spacing	5/5.08 mm / 0.197/0.2 inch			7.5/7.62 mm / 0.295/0.3 inch			10/10.16 mm / 0.394/0.4 inch		
Ratings per	IEC/EN 60664-1			IEC/EN 60664-1			IEC/EN 60664-1		
Overtoltage category	III	III	II	III	III	II	III	III	II
Pollution degree	3	2	2	3	2	2	3	2	2
Rated voltage	320 V	320 V	630 V	500 V	630 V	1000 V	630 V	1000 V	1000 V
Rated impulse voltage	4 kV	4 kV	4 kV	6 kV	6 kV	6 kV	8 kV	8 kV	8 kV
Rated current	24 A	24 A	24 A	24 A	24 A	24 A	24 A	24 A	24 A
Approbations per	UL 1059			UL 1059			UL 1059		
Use group	B	C	D	B	C	D	B	C	D
Rated voltage	300 V	-	300 V	300 V	-	300 V	300 V	-	300 V
Rated current	15 A	-	10 A	15 A	-	10 A	15 A	-	10 A
Approbations per	CSA			CSA			CSA		
Use group	B	C	D	B	C	D	B	C	D
Rated voltage	300 V	-	300 V	300 V	-	300 V	300 V	-	300 V
Rated current	15 A	-	10 A	15 A	-	10 A	15 A	-	10 A

Connection Data	
Connection technology	CAGE CLAMP®
Strip length	5 ... 6 mm / 0.2 ... 0.24 inch
Conductor connection direction to PCB	90°
Fine-stranded conductor	0.08 ... 2.5 mm ² / 28 ... 12 AWG
Fine-stranded conductor; with insulated ferrule	0.25 ... 1.5 mm ²
Fine-stranded conductor; with uninsulated ferrule	0.25 ... 1.5 mm ²
Note (conductor cross-section)	12 AWG: THHN, THWN

Material Data	
Material group	I
Insulation material	Polyamide (PA66)
Flammability class per UL94	V0
Clamping spring material	Chrome nickel spring steel (CrNi)
Contact material	Electrolytic copper (E _{cu})
Contact plating	Tin-plated

Mechanical Data	
Solder pin arrangement	Over the entire terminal strip (in-line)
Solder pin length	4 mm
Solder pin dimensions	0.7 x 0.7 mm
Drilled hole diameter with tolerance	1.1 ^(+0.1) mm

Environmental Requirements	
Limit temperature range	-60 ... +105 °C

Ferrule [Page 879](#)

Marking [Page 865](#)

Test and measurement [Page 258](#)

Commoning strips [Page 262](#)

See technical section for further information

For approvals and corresponding ratings, visit www.wago.com

PCB terminal block ▶ 255 Series

CAGE CLAMP® ▶ Actuation type: Finger-operated lever ▶ 2.5 mm² ▶ Color: gray

Pin spacing: 5/5.08 mm / 0.197/0.2 inch

Pin spacing: 7.5/7.62 mm / 0.295/0.3 inch

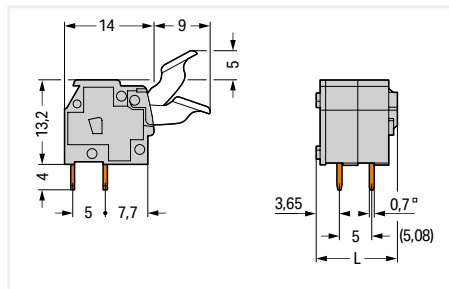
Pin spacing: 10/10.16 mm / 0.394/0.4 inch



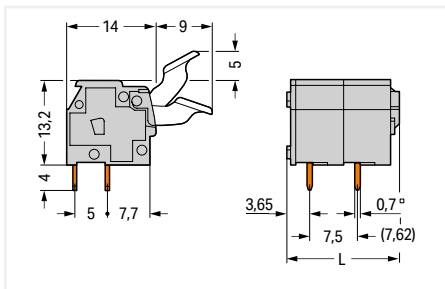
Pole No.	Item No.	PU (SPU)
2	255-402/333-000	400 (100)
3	255-403/333-000	280 (70)
4	255-404/333-000	200 (50)
5	255-405/333-000	160 (40)
6	255-406/333-000	140 (35)
7	255-407/333-000	120 (30)
8	255-408/333-000	100 (25)
9	255-409/333-000	100 (25)
10	255-410/333-000	80 (20)
12	255-412/333-000	60 (15)

Pole No.	Item No.	PU (SPU)
2	255-502/333-000	280 (70)
3	255-503/333-000	180 (45)
4	255-504/333-000	140 (35)
5	255-505/333-000	120 (30)
6	255-506/333-000	100 (25)
7	255-507/333-000	80 (20)
8	255-508/333-000	60 (15)
9	255-509/333-000	60 (15)
10	255-510/333-000	60 (15)
12	255-512/333-000	40 (10)

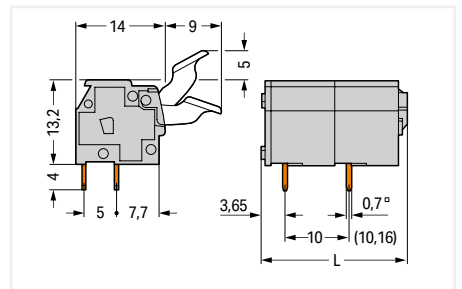
Pole No.	Item No.	PU (SPU)
2	255-602/333-000	200 (50)
3	255-603/333-000	140 (35)
4	255-604/333-000	100 (25)
5	255-605/333-000	80 (20)
6	255-606/333-000	60 (15)
7	255-607/333-000	60 (15)
8	255-608/333-000	60 (15)
9	255-609/333-000	40 (10)
10	255-610/333-000	40 (10)
12	255-612/333-000	40 (10)



L = (pole no. x pin spacing) + 2.9 mm



L = (pole no. x pin spacing) + 2.9 mm



L = (pole no. x pin spacing) + 2.9 mm

PU = Packaging Unit; SPU = Subpackaging Unit; Dimensions in mm

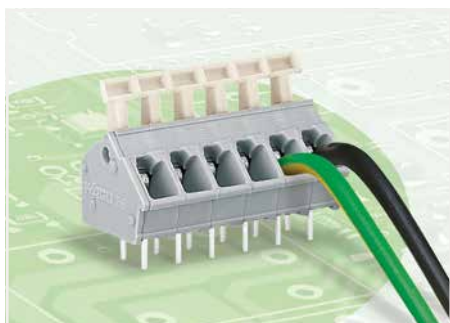
Other versions (or variants) can be requested from WAGO Sales or configured at <https://configurator.wago.com/>.

- Other pole numbers
- Versions for Ex e II and Ex i
- Other colors
- Mixed-color PCB connector strips
- Direct marking

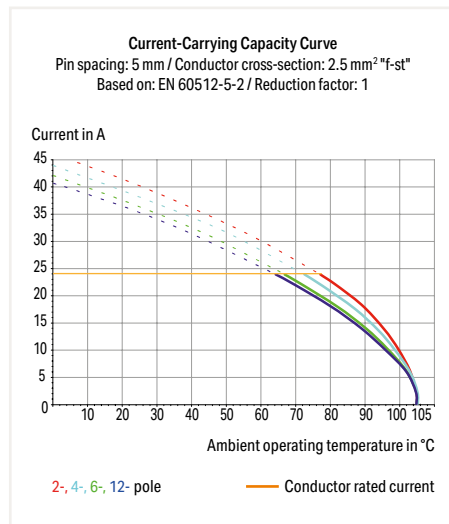
Stackable PCB terminal block ▶ 256 Series

CAGE CLAMP® ▶ Actuation type: Push-button ▶ 2.5 mm²

1



- PCB modular terminal blocks with push-buttons and CAGE CLAMP® connection
- Versions with Ex approval
- Set to metric or inch pin spacing by compressing PCB terminal strips or pulling them apart
- Ideal for in-the-field wiring thanks to simplified push-button actuation
- Convenient, tool-free operation



Electrical Data									
Pin spacing	5/5.08 mm / 0.197/0.2 inch			7.5/7.62 mm / 0.295/0.3 inch			10/10.16 mm / 0.394/0.4 inch		
Ratings per	IEC/EN 60664-1			IEC/EN 60664-1			IEC/EN 60664-1		
Oversoltage category	III	III	II	III	III	II	III	III	II
Pollution degree	3	2	2	3	2	2	3	2	2
Rated voltage	250 V	320 V	630 V	320 V	320 V	630 V	500 V	630 V	1000 V
Rated impulse voltage	4 kV	4 kV	4 kV	4 kV	4 kV	4 kV	6 kV	6 kV	6 kV
Rated current	24 A	24 A	24 A	24 A	24 A	24 A	24 A	24 A	24 A
Approbations per	UL 1059			UL 1059			UL 1059		
Use group	B	C	D	B	C	D	B	C	D
Rated voltage	300 V	-	300 V	300 V	-	300 V	300 V	-	300 V
Rated current	15 A	-	10 A	15 A	-	10 A	15 A	-	10 A
Approbations per	CSA			CSA			CSA		
Use group	B	C	D	B	C	D	B	C	D
Rated voltage	300 V	-	300 V	300 V	-	300 V	300 V	-	300 V
Rated current	15 A	-	10 A	15 A	-	10 A	15 A	-	10 A

Connection Data	
Connection technology	CAGE CLAMP®
Strip length	5 ... 6 mm / 0.2 ... 0.24 inch
Conductor connection direction to PCB	45°
Solid conductor	0.08 ... 2.5 mm ² / 28 ... 12 AWG
Fine-stranded conductor	0.08 ... 2.5 mm ² / 28 ... 12 AWG
Fine-stranded conductor; with insulated ferrule	0.25 ... 1.5 mm ²
Fine-stranded conductor; with uninsulated ferrule	0.25 ... 1.5 mm ²
Note (conductor cross-section)	12 AWG: THHN, THWN

Material Data	
Material group	I
Insulation material	Polyamide (PA66)
Flammability class per UL94	V0
Clamping spring material	Chrome nickel spring steel (CrNi)
Contact material	Electrolytic copper (E _{cu})
Contact plating	Tin-plated

Mechanical Data	
Solder pin arrangement	Within the terminal block (in-line)
Solder pin length	4 mm
Solder pin dimensions	0.7 x 0.7 mm
Drilled hole diameter with tolerance	1.1 ^(+0.1) mm

Environmental Requirements	
Limit temperature range	-60 ... +105 °C

Ferrule	Page 879
Marking	Page 865
Test and measurement	Page 258
Tool	Page 870
Commoning strips	Page 262

See technical section for further information

For approvals and corresponding ratings, visit www.wago.com

Stackable PCB terminal block ▶ 256 Series

CAGE CLAMP® ▶ Actuation type: Push-button ▶ 2.5 mm²

Pin spacing: 5/5.08 mm / 0.197/0.2 inch

Pin spacing: 7.5/7.62 mm / 0.295/0.3 inch

Pin spacing: 10/10.16 mm / 0.394/0.4 inch



256-401

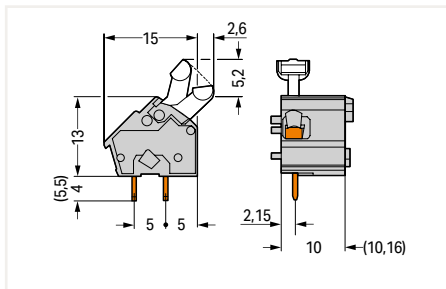
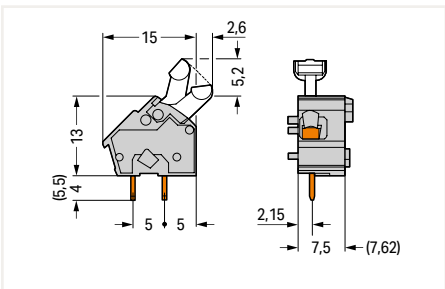
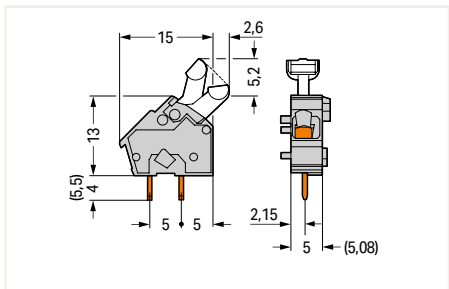
256-501

256-601

Color	Item No.	PU (SPU)
gray	256-401	600 (100)
blue	256-744	600 (100)
orange	256-746	600 (100)
light gray	256-743	600 (100)
light green	256-747	600 (100)
red	256-740	600 (100)
dark gray	256-742	600 (100)

Color	Item No.	PU (SPU)
gray	256-501	400 (100)
blue	256-754	400 (100)
orange	256-756	400 (100)
light gray	256-753	400 (100)
light green	256-757	400 (100)
red	256-750	400 (100)
dark gray	256-752	400 (100)

Color	Item No.	PU (SPU)
gray	256-601	300 (100)
blue	256-764	300 (100)
orange	256-766	300 (100)
light gray	256-763	300 (100)
light green	256-767	300 (100)
red	256-760	300 (100)
dark gray	256-762	300 (100)



Accessories; for all products on this page



End plate; Width: 1 mm; Snap-on type		
Color	Item No.	PU (SPU)
gray	256-100	2000 (100)
light gray	256-300	2000 (100)
dark gray	256-200	2000 (100)

End plate; Width: 1 mm; snap-on type		
Color	Item No.	PU (SPU)
blue	256-400	2000 (100)
orange	256-600	2000 (100)
black	256-800	2000 (100)
light green	256-700	2000 (100)
red	256-500	2000 (100)

PU = Packaging Unit; SPU = Subpackaging Unit; Dimensions in mm

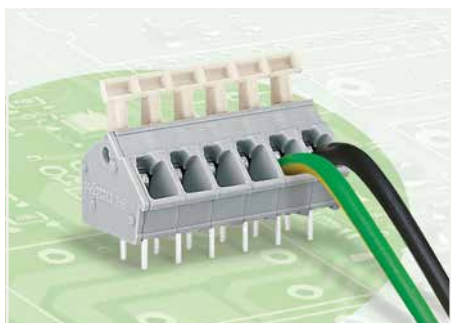
Other versions (or variants) can be requested from WAGO Sales or configured at <https://configurator.wago.com/>.

- Other colors
- Versions for Ex e II and Ex i
- Solder pin length: 5.5 mm

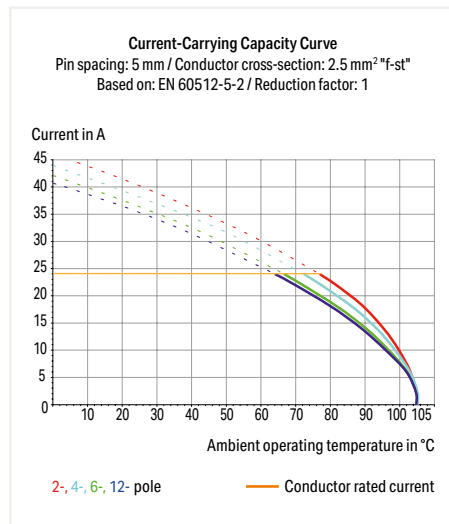
PCB terminal block ▶ 256 Series

CAGE CLAMP® ▶ Actuation type: Push-button ▶ 2.5 mm² ▶ Color: gray

1



- PCB terminal blocks with push-buttons and CAGE CLAMP® connection
- Versions with Ex approval
- Set to metric or inch pin spacing by compressing PCB terminal strips or pulling them apart
- Ideal for in-the-field wiring thanks to simplified push-button actuation
- Convenient, tool-free operation



Electrical Data									
Pin spacing	5/5.08 mm / 0.197/0.2 inch			7.5/7.62 mm / 0.295/0.3 inch			10/10.16 mm / 0.394/0.4 inch		
Ratings per	IEC/EN 60664-1			IEC/EN 60664-1			IEC/EN 60664-1		
Overvoltage category	III	III	II	III	III	II	III	III	II
Pollution degree	3	2	2	3	2	2	3	2	2
Rated voltage	250 V	320 V	630 V	320 V	320 V	630 V	500 V	1000 V	1000 V
Rated impulse voltage	4 kV	4 kV	4 kV	4 kV	4 kV	4 kV	6 kV	6 kV	6 kV
Rated current	24 A	24 A	24 A	24 A	24 A	24 A	24 A	24 A	24 A
Approbations per	UL 1059			UL 1059			UL 1059		
Use group	B	C	D	B	C	D	B	C	D
Rated voltage	300 V	-	300 V	300 V	-	300 V	300 V	-	300 V
Rated current	15 A	-	10 A	15 A	-	10 A	15 A	-	10 A
Approbations per	CSA			CSA			CSA		
Use group	B	C	D	B	C	D	B	C	D
Rated voltage	300 V	-	300 V	300 V	-	300 V	300 V	-	300 V
Rated current	15 A	-	10 A	15 A	-	10 A	15 A	-	10 A

Connection Data	
Connection technology	CAGE CLAMP®
Strip length	5 ... 6 mm / 0.2 ... 0.24 inch
Conductor connection direction to PCB	45°
Solid conductor	0.08 ... 2.5 mm ² / 28 ... 12 AWG
Fine-stranded conductor	0.08 ... 2.5 mm ² / 28 ... 12 AWG
Fine-stranded conductor; with insulated ferrule	0.25 ... 1.5 mm ²
Fine-stranded conductor; with uninsulated ferrule	0.25 ... 1.5 mm ²
Note (conductor cross-section)	12 AWG: THHN, THWN

Material Data	
Material group	I
Insulation material	Polyamide (PA66)
Flammability class per UL94	V0
Clamping spring material	Chrome nickel spring steel (CrNi)
Contact material	Electrolytic copper (E _{cu})
Contact plating	Tin-plated

Mechanical Data	
Solder pin arrangement	Over the entire terminal strip (in-line)
Solder pin length	4 mm
Solder pin dimensions	0.7 x 0.7 mm
Drilled hole diameter with tolerance	1.1 ^(+0.1) mm

Environmental Requirements	
Limit temperature range	-60 ... +105 °C

Ferrule	Page 879
Marking	Page 865
Test and measurement	Page 258
Tool	Page 870
Commoning strips	Page 262

See technical section for further information

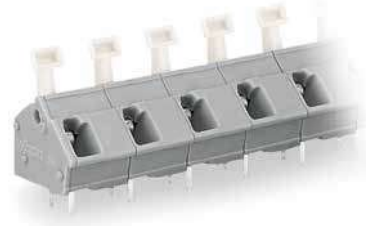
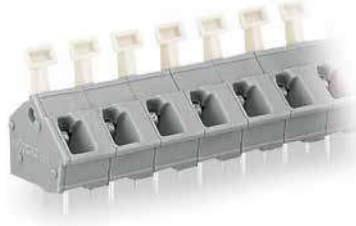
For approvals and corresponding ratings, visit www.wago.com

PCB terminal block ▶ 256 Series CAGE CLAMP® ▶ Actuation type: Push-button ▶ 2.5 mm² ▶ Color: gray

Pin spacing: 5/5.08 mm / 0.197/0.2 inch

Pin spacing: 7.5/7.62 mm / 0.295/0.3 inch

Pin spacing: 10/10.16 mm / 0.394/0.4 inch

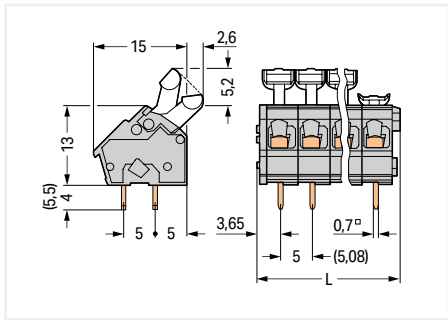


1

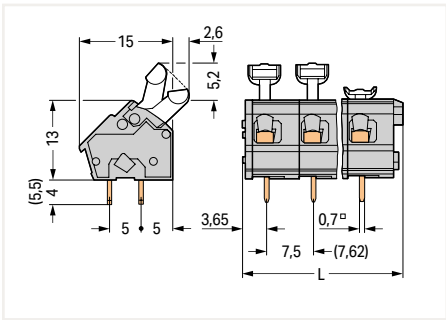
Pole No.	Item No.	PU (SPU)
2	256-402	400 (100)
3	256-403	280 (70)
4	256-404	200 (50)
5	256-405	160 (40)
6	256-406	140 (35)
7	256-407	120 (30)
8	256-408	100 (25)
9	256-409	100 (25)
10	256-410	80 (20)
12	256-412	60 (15)

Pole No.	Item No.	PU (SPU)
2	256-502	280 (70)
3	256-503	180 (45)
4	256-504	140 (35)
5	256-505	120 (30)
6	256-506	100 (25)
7	256-507	80 (20)
8	256-508	60 (15)
9	256-509	60 (15)
10	256-510	60 (15)
12	256-512	40 (10)

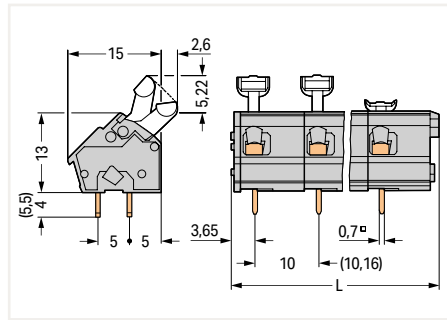
Pole No.	Item No.	PU (SPU)
2	256-602	200 (50)
3	256-603	140 (35)
4	256-604	100 (25)
5	256-605	80 (20)
6	256-606	60 (15)
7	256-607	60 (15)
8	256-608	60 (15)
9	256-609	40 (10)
10	256-610	40 (10)
12	256-612	40 (10)



L = (pole no. x pin spacing) + 2.9 mm



L = (pole no. x pin spacing) + 2.9 mm



L = (pole no. x pin spacing) + 2.9 mm

PU = Packaging Unit; SPU = Subpackaging Unit; Dimensions in mm

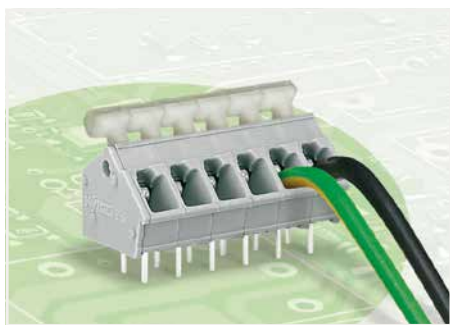
Other versions (or variants) can be requested from WAGO Sales or configured at <https://configurator.wago.com/>.

- Other pole numbers
- Versions for Ex e II and Ex i
- Other colors
- Mixed-color PCB connector strips
- Direct marking

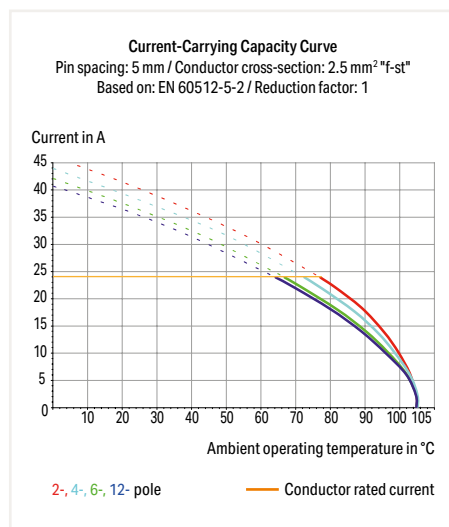
Stackable PCB terminal block ▶ 256 Series

CAGE CLAMP® ▶ Actuation type: Push-button, angled ▶ 2.5 mm²

1



- PCB terminal blocks with angled push-buttons and CAGE CLAMP® connection
- Version with angled push-buttons for easy top-of-unit actuation
- Set to metric or inch pin spacing by compressing PCB terminal strips or pulling them apart
- Ideal for in-the-field wiring thanks to simplified push-button actuation
- Convenient, tool-free operation



Electrical Data

Pin spacing	5/5.08 mm / 0.197/0.2 inch			7.5/7.62 mm / 0.295/0.3 inch			10/10.16 mm / 0.394/0.4 inch		
	IEC/EN 60664-1			IEC/EN 60664-1			IEC/EN 60664-1		
Ratings per									
Oversoltage category	III	III	II	III	III	II	III	III	II
Pollution degree	3	2	2	3	2	2	3	2	2
Rated voltage	250 V	320 V	630 V	320 V	320 V	630 V	500 V	630 V	1000 V
Rated impulse voltage	4 kV	4 kV	4 kV	4 kV	4 kV	4 kV	6 kV	6 kV	6 kV
Rated current	24 A	24 A	24 A	24 A	24 A	24 A	24 A	24 A	24 A

Approbations per	UL 1059			UL 1059			UL 1059		
	B	C	D	B	C	D	B	C	D
Use group	B	C	D	B	C	D	B	C	D
Rated voltage	300 V	-	300 V	300 V	-	300 V	300 V	-	300 V
Rated current	15 A	-	10 A	15 A	-	10 A	15 A	-	10 A

Approbations per	CSA			CSA			CSA		
	B	C	D	B	C	D	B	C	D
Use group	B	C	D	B	C	D	B	C	D
Rated voltage	300 V	-	300 V	300 V	-	300 V	300 V	-	300 V
Rated current	15 A	-	10 A	15 A	-	10 A	15 A	-	10 A

Connection Data

Connection technology	CAGE CLAMP®
Strip length	5 ... 6 mm / 0.2 ... 0.24 inch
Conductor connection direction to PCB	45°
Solid conductor	0.08 ... 2.5 mm ² / 28 ... 12 AWG
Fine-stranded conductor	0.08 ... 2.5 mm ² / 28 ... 12 AWG
Fine-stranded conductor; with insulated ferrule	0.25 ... 1.5 mm ²
Fine-stranded conductor; with uninsulated ferrule	0.25 ... 1.5 mm ²
Note (conductor cross-section)	12 AWG: THHN, THWN

Material Data

Material group	I
Insulation material	Polyamide (PA66)
Flammability class per UL94	V0
Clamping spring material	Chrome nickel spring steel (CrNi)
Contact material	Electrolytic copper (E _{cu})
Contact plating	Tin-plated

Mechanical Data

Solder pin arrangement	Within the terminal block (in-line)
Solder pin length	4 mm
Solder pin dimensions	0.7 x 0.7 mm
Drilled hole diameter with tolerance	1.1 (+0.1) mm

Environmental Requirements

Limit temperature range	-60 ... +105 °C
-------------------------	-----------------

Ferrule	Page 879
Marking	Page 865
Test and measurement	Page 258
Tool	Page 870
Commoning strips	Page 262

See technical section for further information

For approvals and corresponding ratings, visit www.wago.com

Stackable PCB terminal block ▶ 256 Series

CAGE CLAMP® ▶ Actuation type: Push-button, angled ▶ 2.5 mm²

Pin spacing: 5/5.08 mm / 0.197/0.2 inch

Pin spacing: 7.5/7.62 mm / 0.295/0.3 inch

Pin spacing: 10/10.16 mm / 0.394/0.4 inch



256-461

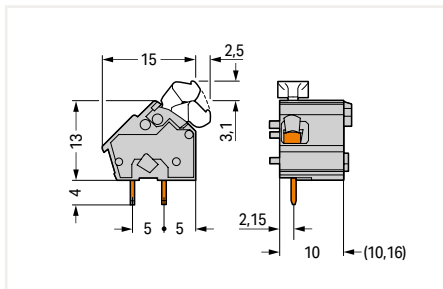
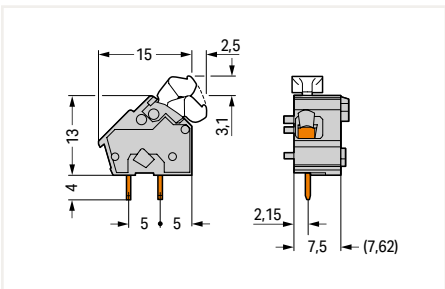
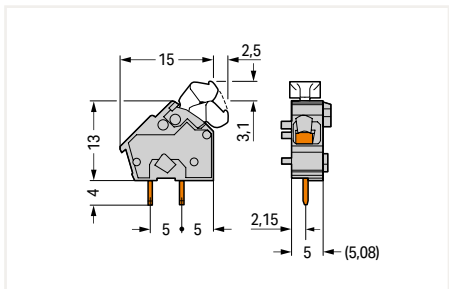
256-561

256-661

Color	Item No.	PU (SPU)
gray	256-461	600 (100)
blue	256-844	600 (100)
orange	256-846	600 (100)
light gray	256-843	600 (100)
light green	256-847	600 (100)
red	256-840	600 (100)
dark gray	256-842	600 (100)

Color	Item No.	PU (SPU)
gray	256-561	400 (100)
blue	256-854	400 (100)
orange	256-856	400 (100)
light gray	256-853	400 (100)
light green	256-857	400 (100)
red	256-850	400 (100)
dark gray	256-852	400 (100)

Color	Item No.	PU (SPU)
gray	256-661	300 (100)
blue	256-864	300 (100)
orange	256-866	300 (100)
light gray	256-863	300 (100)
light green	256-867	300 (100)
red	256-860	300 (100)
dark gray	256-862	300 (100)



Accessories; for all products on this page



End plate; Width: 1 mm; Snap-on type		
Color	Item No.	PU (SPU)
gray	256-100	2000 (100)
light gray	256-300	2000 (100)
dark gray	256-200	2000 (100)

End plate; Width: 1 mm; snap-on type		
Color	Item No.	PU (SPU)
blue	256-400	2000 (100)
orange	256-600	2000 (100)
black	256-800	2000 (100)
light green	256-700	2000 (100)
red	256-500	2000 (100)

PU = Packaging Unit; SPU = Subpackaging Unit; Dimensions in mm

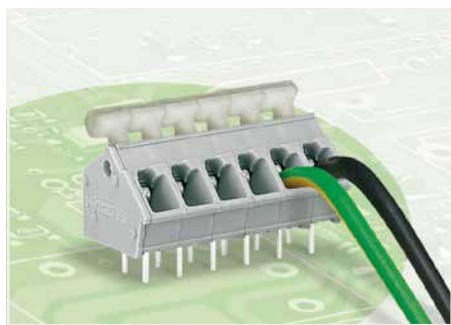
Other versions (or variants) can be requested from WAGO Sales or configured at <https://configurator.wago.com/>.

- Other colors
- Versions for Ex e II and Ex i
- Solder pin length: 5.5 mm

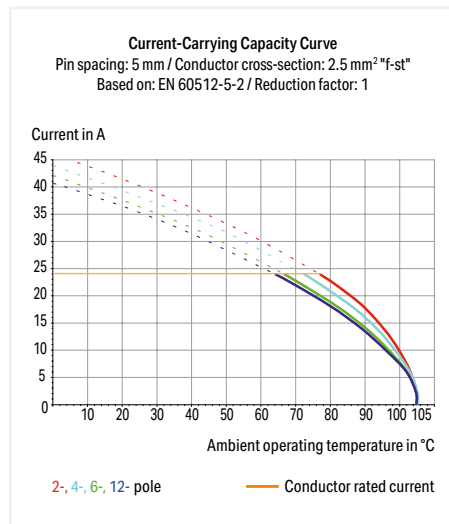
PCB terminal block ▶ 256 Series

CAGE CLAMP® ▶ Actuation type: Push-button, angled ▶ 2.5 mm² ▶ Color: gray

1



- PCB terminal blocks with angled push-buttons and CAGE CLAMP® connection
- Version with angled push-buttons for easy top-of-unit actuation
- Set to metric or inch pin spacing by compressing PCB terminal strips or pulling them apart
- Ideal for in-the-field wiring thanks to simplified push-button actuation
- Convenient, tool-free operation

**Electrical Data**

Pin spacing	5/5.08 mm / 0.197/0.2 inch			7.5/7.62 mm / 0.295/0.3 inch			10/10.16 mm / 0.394/0.4 inch		
Ratings per	IEC/EN 60664-1			IEC/EN 60664-1			IEC/EN 60664-1		
Overtoltage category	III	III	II	III	III	II	III	III	II
Pollution degree	3	2	2	3	2	2	3	2	2
Rated voltage	250 V	320 V	630 V	320 V	320 V	630 V	500 V	630 V	1000 V
Rated impulse voltage	4 kV	4 kV	4 kV	4 kV	4 kV	4 kV	6 kV	6 kV	6 kV
Rated current	24 A	24 A	24 A	24 A	24 A	24 A	24 A	24 A	24 A

Approbations per	UL 1059			UL 1059			UL 1059		
Use group	B	C	D	B	C	D	B	C	D
Rated voltage	300 V	-	300 V	300 V	-	300 V	300 V	-	300 V
Rated current	15 A	-	10 A	15 A	-	10 A	15 A	-	10 A

Approbations per	CSA			CSA			CSA		
Use group	B	C	D	B	C	D	B	C	D
Rated voltage	300 V	-	300 V	300 V	-	300 V	300 V	-	300 V
Rated current	15 A	-	10 A	15 A	-	10 A	15 A	-	10 A

Connection Data

Connection technology	CAGE CLAMP®
Strip length	5 ... 6 mm / 0.2 ... 0.24 inch
Conductor connection direction to PCB	45°
Solid conductor	0.08 ... 2.5 mm ² / 28 ... 12 AWG
Fine-stranded conductor	0.08 ... 2.5 mm ² / 28 ... 12 AWG
Fine-stranded conductor; with insulated ferrule	0.25 ... 1.5 mm ²
Fine-stranded conductor; with uninsulated ferrule	0.25 ... 1.5 mm ²
Note (conductor cross-section)	12 AWG: THHN, THWN

Material Data

Material group	I
Insulation material	Polyamide (PA66)
Flammability class per UL94	V0
Clamping spring material	Chrome nickel spring steel (CrNi)
Contact material	Electrolytic copper (E _{cu})
Contact plating	Tin-plated

Mechanical Data

Solder pin arrangement	Over the entire terminal strip (in-line)
Solder pin dimensions	0.7 x 0.7 mm
Drilled hole diameter with tolerance	1.1 ^(+0.1) mm

Environmental Requirements

Limit temperature range	-60 ... +105 °C
-------------------------	-----------------

Ferrule Page 879

Marking Page 865

Test and measurement Page 258

Tool Page 870

Commoning strips Page 262

See technical section for further information

For approvals and corresponding ratings, visit www.wago.com

PCB terminal block ▶ 256 Series

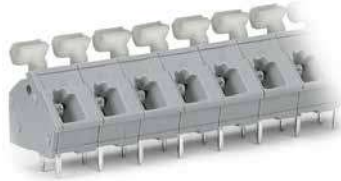
CAGE CLAMP® ▶ Actuation type: Push-button, angled ▶ 2.5 mm² ▶ Color: gray

Pin spacing: 5/5.08 mm / 0.197/0.2 inch

Pin spacing: 7.5/7.62 mm / 0.295/0.3 inch

Pin spacing: 10/10.16 mm / 0.394/0.4 inch

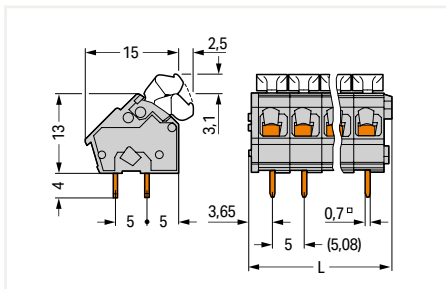
1



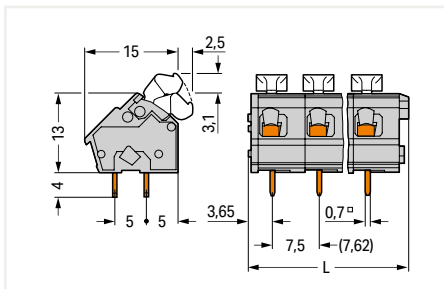
Pole No.	Item No.	PU (SPU)
2	256-402/334-000	400 (100)
3	256-403/334-000	280 (70)
4	256-404/334-000	200 (50)
5	256-405/334-000	160 (40)
6	256-406/334-000	140 (35)
7	256-407/334-000	120 (30)
8	256-408/334-000	100 (25)
9	256-409/334-000	100 (25)
10	256-410/334-000	80 (20)
12	256-412/334-000	60 (15)

Pole No.	Item No.	PU (SPU)
2	256-502/334-000	280 (70)
3	256-503/334-000	180 (45)
4	256-504/334-000	140 (35)
5	256-505/334-000	120 (30)
6	256-506/334-000	100 (25)
7	256-507/334-000	80 (20)
8	256-508/334-000	60 (15)
9	256-509/334-000	60 (15)
10	256-510/334-000	60 (15)
12	256-512/334-000	40 (10)

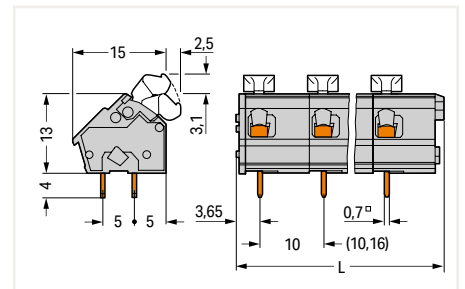
Pole No.	Item No.	PU (SPU)
2	256-602/334-000	200 (50)
3	256-603/334-000	140 (35)
4	256-604/334-000	100 (25)
5	256-605/334-000	80 (20)
6	256-606/334-000	60 (15)
7	256-607/334-000	60 (15)
8	256-608/334-000	60 (15)
9	256-609/334-000	40 (10)
10	256-610/334-000	40 (10)
12	256-612/334-000	40 (10)



L = (pole no. x pin spacing) + 2.9 mm



L = (pole no. x pin spacing) + 2.9 mm



L = (pole no. x pin spacing) + 2.9 mm

PU = Packaging Unit; SPU = Subpackaging Unit; Dimensions in mm

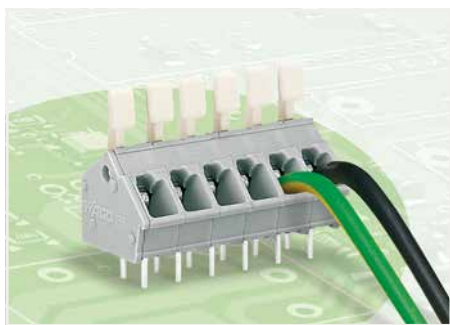
Other versions (or variants) can be requested from WAGO Sales or configured at <https://configurator.wago.com/>.

- Other pole numbers
- Versions for Ex e II and Ex i
- Other colors
- Mixed-color PCB connector strips
- Direct marking

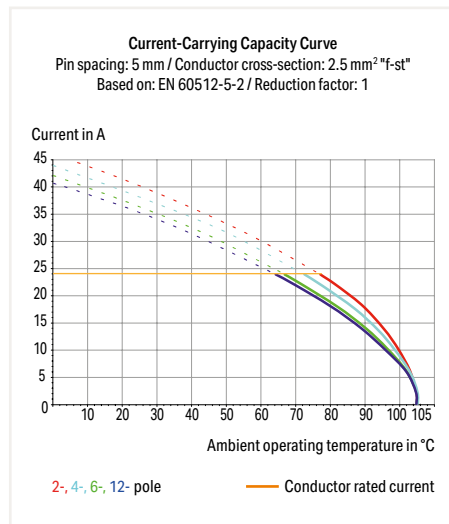
PCB terminal block ▶ 256 Series

CAGE CLAMP® ▶ Actuation type: Finger-operated lever ▶ 2.5 mm² ▶ Color: gray

1



- PCB terminal blocks with push-buttons and CAGE CLAMP® connection
- Versions with Ex approval
- Set to metric or inch pin spacing by compressing PCB terminal strips or pulling them apart
- Ideal for in-the-field wiring thanks to simplified push-button actuation
- Convenient, tool-free operation



Electrical Data									
Pin spacing	5/5.08 mm / 0.197/0.2 inch			7.5/7.62 mm / 0.295/0.3 inch			10/10.16 mm / 0.394/0.4 inch		
Ratings per	IEC/EN 60664-1			IEC/EN 60664-1			IEC/EN 60664-1		
Overtoltage category	III	III	II	III	III	II	III	III	II
Pollution degree	3	2	2	3	2	2	3	2	2
Rated voltage	250 V	320 V	630 V	320 V	320 V	630 V	500 V	630 V	1000 V
Rated impulse voltage	4 kV	4 kV	4 kV	4 kV	4 kV	4 kV	6 kV	6 kV	6 kV
Rated current	24 A	24 A	24 A	24 A	24 A	24 A	24 A	24 A	24 A
Approbations per	UL 1059			UL 1059			UL 1059		
Use group	B	C	D	B	C	D	B	C	D
Rated voltage	300 V	-	300 V	300 V	-	300 V	300 V	-	300 V
Rated current	15 A	-	10 A	15 A	-	10 A	15 A	-	10 A
Approbations per	CSA			CSA			CSA		
Use group	B	C	D	B	C	D	B	C	D
Rated voltage	300 V	-	300 V	300 V	-	300 V	300 V	-	300 V
Rated current	15 A	-	10 A	15 A	-	10 A	15 A	-	10 A

Connection Data	
Connection technology	CAGE CLAMP®
Strip length	5 ... 6 mm / 0.2 ... 0.24 inch
Conductor connection direction to PCB	45°
Solid conductor	0.08 ... 2.5 mm ² / 28 ... 12 AWG
Fine-stranded conductor	0.08 ... 2.5 mm ² / 28 ... 12 AWG
Fine-stranded conductor; with insulated ferrule	0.25 ... 1.5 mm ²
Fine-stranded conductor; with uninsulated ferrule	0.25 ... 1.5 mm ²
Note (conductor cross-section)	12 AWG: THHN, THWN

Material Data	
Material group	I
Insulation material	Polyamide (PA66)
Flammability class per UL94	V0
Clamping spring material	Chrome nickel spring steel (CrNi)
Contact material	Electrolytic copper (E _{cu})
Contact plating	Tin-plated

Mechanical Data	
Solder pin arrangement	Over the entire terminal strip (in-line)
Solder pin length	4 mm
Solder pin dimensions	0.7 x 0.7 mm
Drilled hole diameter with tolerance	1.1 ^(+0.1) mm

Environmental Requirements	
Limit temperature range	-60 ... +105 °C

Ferrule	Page 879
Marking	Page 865
Test and measurement	Page 258
Commoning strips	Page 262
See technical section for further information	
For approvals and corresponding ratings, visit www.wago.com	

PCB terminal block ▶ 256 Series

CAGE CLAMP® ▶ Actuation type: Finger-operated lever ▶ 2.5 mm² ▶ Color: gray

Pin spacing: 5/5.08 mm / 0.197/0.2 inch

Pin spacing: 7.5/7.62 mm / 0.295/0.3 inch

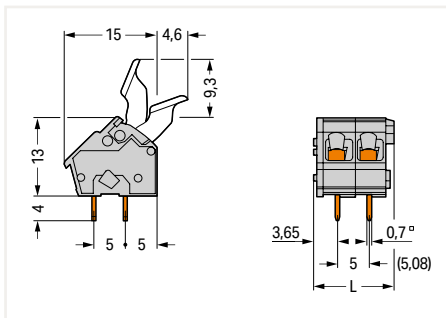
Pin spacing: 10/10.16 mm / 0.394/0.4 inch



Pole No.	Item No.	PU (SPU)
2	256-402/333-000	400 (100)
3	256-403/333-000	280 (70)
4	256-404/333-000	200 (50)
5	256-405/333-000	160 (40)
6	256-406/333-000	140 (35)
7	256-407/333-000	120 (30)
8	256-408/333-000	100 (25)
9	256-409/333-000	100 (25)
10	256-410/333-000	80 (20)
12	256-412/333-000	60 (15)

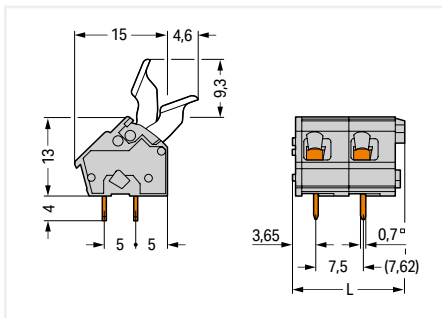
Pole No.	Item No.	PU (SPU)
2	256-502/333-000	280 (70)
3	256-503/333-000	180 (45)
4	256-504/333-000	140 (35)
5	256-505/333-000	120 (30)
6	256-506/333-000	100 (25)
7	256-507/333-000	80 (20)
8	256-508/333-000	60 (15)
9	256-509/333-000	60 (15)
10	256-510/333-000	60 (15)
12	256-512/333-000	40 (10)

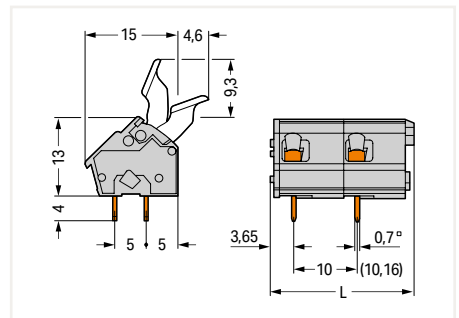
Pole No.	Item No.	PU (SPU)
2	256-602/333-000	200 (50)
3	256-603/333-000	140 (35)
4	256-604/333-000	100 (25)
5	256-605/333-000	80 (20)
6	256-606/333-000	60 (15)
7	256-607/333-000	60 (15)
8	256-608/333-000	60 (15)
9	256-609/333-000	40 (10)
10	256-610/333-000	40 (10)
12	256-612/333-000	40 (10)



$$L = (\text{pole no.} \times \text{pin spacing}) + 2.9 \text{ mm}$$

For lengths greater than three poles, finger lever operation for center levers may not be possible due to finger size/spacing limitations.



$$L = (\text{pole no.} \times \text{pin spacing}) + 2.9 \text{ mm}$$


$$L = (\text{pole no.} \times \text{pin spacing}) + 2.9 \text{ mm}$$

PU = Packaging Unit; SPU = Subpackaging Unit; Dimensions in mm

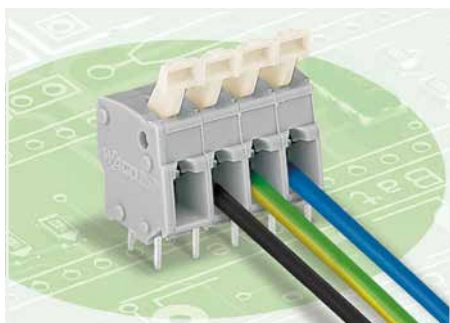
Other versions (or variants) can be requested from WAGO Sales or configured at <https://configurator.wago.com/>.

- Other pole numbers
- Versions for Ex e II and Ex i
- Other colors
- Mixed-color PCB connector strips
- Direct marking

Stackable PCB terminal block ▶ 257 Series

CAGE CLAMP® ▶ Actuation type: Push-button ▶ 2.5 mm²

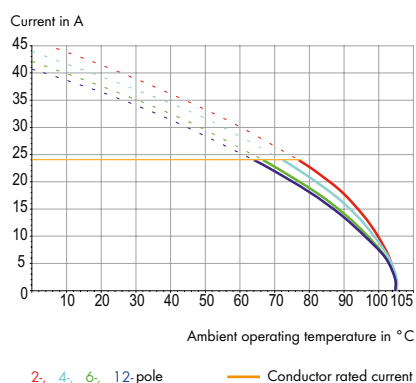
1



- PCB terminal blocks with push-buttons and CAGE CLAMP® connection
- Versions with Ex approval
- Set to metric or inch pin spacing by compressing PCB terminal strips or pulling them apart
- Ideal for in-the-field wiring thanks to simplified push-button actuation
- Convenient, tool-free operation

Current-Carrying Capacity Curve

Pin spacing: 5 mm / Conductor cross-section: 2.5 mm² "f-st"
Based on: EN 60512-5-2 / Reduction factor: 1



Electrical Data

Pin spacing	5/5.08 mm / 0.197/0.2 inch			7.5/7.62 mm / 0.295/0.3 inch			10/10.16 mm / 0.394/0.4 inch		
	IEC/EN 60664-1			IEC/EN 60664-1			IEC/EN 60664-1		
Ratings per									
Overtoltage category	III	III	II	III	III	II	III	III	II
Pollution degree	3	2	2	3	2	2	3	2	2
Rated voltage	250 V	320 V	630 V	400 V	630 V	1000 V	630 V	1000 V	1000 V
Rated impulse voltage	4 kV	4 kV	4 kV	6 kV	6 kV	6 kV	8 kV	8 kV	8 kV
Rated current	24 A	24 A	24 A	24 A	24 A	24 A	24 A	24 A	24 A

Approbations per	UL 1059			UL 1059			UL 1059		
	B	C	D	B	C	D	B	C	D
Use group	B	C	D	B	C	D	B	C	D
Rated voltage	300 V	-	300 V	300 V	-	300 V	300 V	-	300 V
Rated current	15 A	-	10 A	15 A	-	10 A	15 A	-	10 A

Approbations per	CSA			CSA			CSA		
	B	C	D	B	C	D	B	C	D
Use group	B	C	D	B	C	D	B	C	D
Rated voltage	300 V	-	300 V	300 V	-	300 V	300 V	-	300 V
Rated current	15 A	-	10 A	15 A	-	10 A	15 A	-	10 A

Connection Data

Connection technology	CAGE CLAMP®
Strip length	5 ... 6 mm / 0.2 ... 0.24 inch
Conductor connection direction to PCB	0°
Solid conductor	0.08 ... 2.5 mm ² / 28 ... 12 AWG
Fine-stranded conductor	0.08 ... 2.5 mm ² / 28 ... 12 AWG
Fine-stranded conductor; with insulated ferrule	0.25 ... 1.5 mm ²
Fine-stranded conductor; with uninsulated ferrule	0.25 ... 1.5 mm ²
Note (conductor cross-section)	12 AWG: THHN, THWN

Material Data

Material group	I
Insulation material	Polyamide (PA66)
Flammability class per UL94	V0
Clamping spring material	Chrome nickel spring steel (CrNi)
Contact material	Electrolytic copper (E _{cu})
Contact plating	Tin-plated

Mechanical Data

Solder pin arrangement	Within the terminal block (in-line)
Solder pin length	4 mm
Solder pin dimensions	0.7 x 0.7 mm
Drilled hole diameter with tolerance	1.1 ^(+0.1) mm

Environmental Requirements

Limit temperature range	-60 ... +105 °C
-------------------------	-----------------

Ferrule	Page 879
Marking	Page 865
Test and measurement	Page 258
Tool	Page 870
Commoning strips	Page 262

See technical section for further information

For approvals and corresponding ratings, visit www.wago.com

Stackable PCB terminal block ▶ 257 Series

CAGE CLAMP® ▶ Actuation type: Push-button ▶ 2.5 mm²

Pin spacing: 5/5.08 mm / 0.197/0.2 inch

Pin spacing: 7.5/7.62 mm / 0.295/0.3 inch

Pin spacing: 10/10.16 mm / 0.394/0.4 inch



257-401

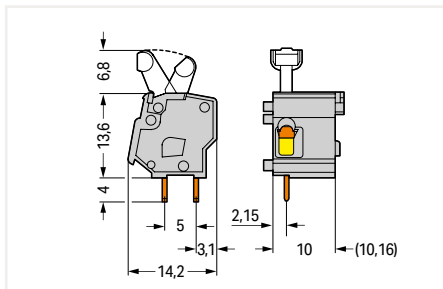
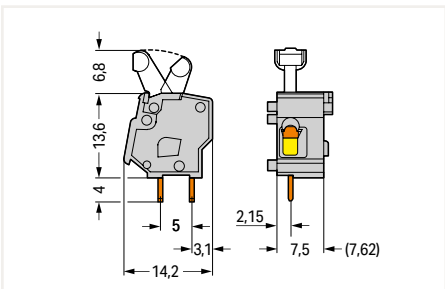
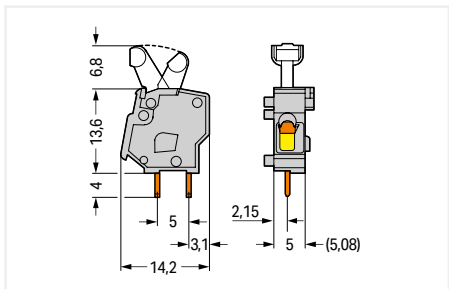
257-501

257-601

Color	Item No.	PU (SPU)
gray	257-401	500 (100)
blue	257-744	500 (100)
orange	257-746	500 (100)
light gray	257-743	500 (100)
light green	257-747	500 (100)
red	257-740	500 (100)
dark gray	257-742	500 (100)

Color	Item No.	PU (SPU)
gray	257-501	400 (100)
blue	257-754	400 (100)
orange	257-756	400 (100)
light gray	257-753	400 (100)
light green	257-757	400 (100)
red	257-750	400 (100)
dark gray	257-752	400 (100)

Color	Item No.	PU (SPU)
gray	257-601	300 (100)
blue	257-764	300 (100)
orange	257-766	300 (100)
light gray	257-763	300 (100)
light green	257-767	300 (100)
red	257-760	300 (100)
dark gray	257-762	300 (100)



Accessories; for all products on this page



End plate; Width: 1 mm; snap-on type

Color	Item No.	PU (SPU)
gray	257-100	2000 (100)
blue	257-400	2000 (100)
orange	257-600	2000 (100)
light gray	257-300	2000 (100)
light green	257-700	2000 (100)
red	257-500	2000 (100)
dark gray	257-200	2000 (100)



Intermediate plate; Extends pin spacing; Width: 5.08 mm / 0.2 inch

Color	Item No.	PU (SPU)
gray	257-801	500 (100)



Intermediate plate; Extends pin spacing; Width: 7.62 mm / 0.3 inch

Color	Item No.	PU (SPU)
gray	257-811	400 (100)



Intermediate plate; Extends pin spacing; Width: 10.16 mm / 0.4 inch

Color	Item No.	PU (SPU)
gray	257-821	300 (100)

PU = Packaging Unit; SPU = Subpackaging Unit; Dimensions in mm

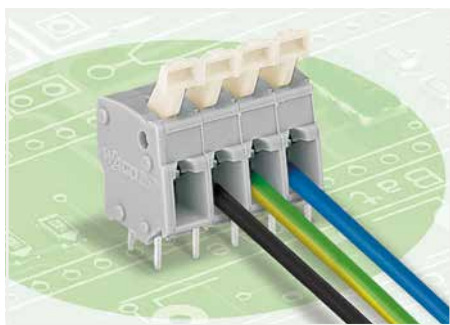
Other versions (or variants) can be requested from WAGO Sales or configured at <https://configurator.wago.com/>.

- Other colors
- Versions for Ex e II and Ex i

PCB terminal block ▶ 257 Series

CAGE CLAMP® ▶ Actuation type: Push-button ▶ 2.5 mm² ▶ Color: gray

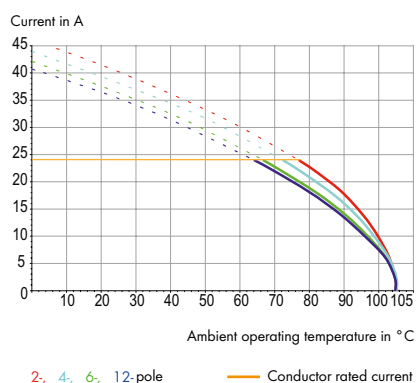
1



- PCB terminal blocks with push-buttons and CAGE CLAMP® connection
- Versions with Ex approval
- Set to metric or inch pin spacing by compressing PCB terminal strips or pulling them apart
- Ideal for in-the-field wiring thanks to simplified push-button actuation
- Convenient, tool-free operation

Current-Carrying Capacity Curve

Pin spacing: 5 mm / Conductor cross-section: 2.5 mm² "F-st"
Based on: EN 60512-5-2 / Reduction factor: 1



Electrical Data

Pin spacing	5/5.08 mm / 0.197/0.2 inch			7.5/7.62 mm / 0.295/0.3 inch			10/10.16 mm / 0.394/0.4 inch		
	IEC/EN 60664-1			IEC/EN 60664-1			IEC/EN 60664-1		
Ratings per	III	III	II	III	III	II	III	III	II
Oversoltage category	3	2	2	3	2	2	3	2	2
Pollution degree	250 V	320 V	630 V	400 V	630 V	1000 V	630 V	1000 V	1000 V
Rated voltage	4 kV	4 kV	4 kV	6 kV	6 kV	6 kV	8 kV	8 kV	8 kV
Rated impulse voltage	24 A	24 A	24 A	24 A	24 A	24 A	24 A	24 A	24 A
Rated current									

Approptions per	UL 1059			UL 1059			UL 1059		
	B	C	D	B	C	D	B	C	D
Use group	300 V	-	300 V	300 V	-	300 V	300 V	-	300 V
Rated voltage	15 A	-	10 A	15 A	-	10 A	15 A	-	10 A
Rated current									

Approptions per	CSA			CSA			CSA		
	B	C	D	B	C	D	B	C	D
Use group	300 V	-	300 V	300 V	-	300 V	300 V	-	300 V
Rated voltage	15 A	-	10 A	15 A	-	10 A	15 A	-	10 A
Rated current									

Connection Data

Connection technology	CAGE CLAMP®
Strip length	5 ... 6 mm / 0.2 ... 0.24 inch
Conductor connection direction to PCB	0°
Solid conductor	0.08 ... 2.5 mm ² / 28 ... 12 AWG
Fine-stranded conductor	0.08 ... 2.5 mm ² / 28 ... 12 AWG
Fine-stranded conductor; with insulated ferrule	0.25 ... 1.5 mm ²
Fine-stranded conductor; with uninsulated ferrule	0.25 ... 1.5 mm ²
Note (conductor cross-section)	12 AWG: THHN, THWN

Material Data

Material group	I
Insulation material	Polyamide (PA66)
Flammability class per UL94	V0
Clamping spring material	Chrome nickel spring steel (CrNi)
Contact material	Electrolytic copper (E _{cu})
Contact plating	Tin-plated

Mechanical Data

Solder pin arrangement	Over the entire terminal strip (in-line)
Solder pin length	4 mm
Solder pin dimensions	0.7 x 0.7 mm
Drilled hole diameter with tolerance	1.1 (+0.1) mm

Environmental Requirements

Limit temperature range	-60 ... +105 °C
-------------------------	-----------------

Ferrule	Page 879
Marking	Page 865
Test and measurement	Page 258
Tool	Page 870
Commoning strips	Page 262

See technical section for further information

For approvals and corresponding ratings, visit www.wago.com

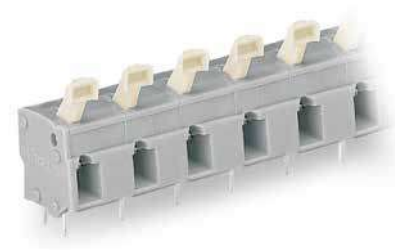
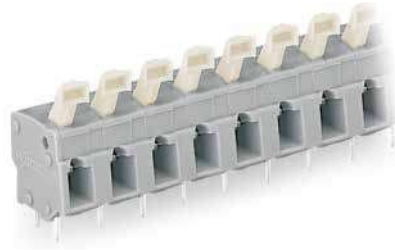
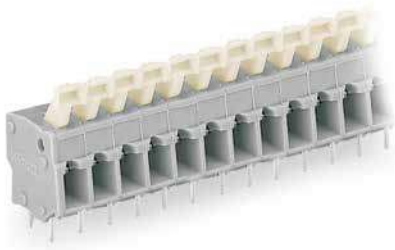
PCB terminal block ▶ 257 Series

CAGE CLAMP® ▶ Actuation type: Push-button ▶ 2.5 mm² ▶ Color: gray

Pin spacing: 5/5.08 mm / 0.197/0.2 inch

Pin spacing: 7.5/7.62 mm / 0.295/0.3 inch

Pin spacing: 10/10.16 mm / 0.394/0.4 inch

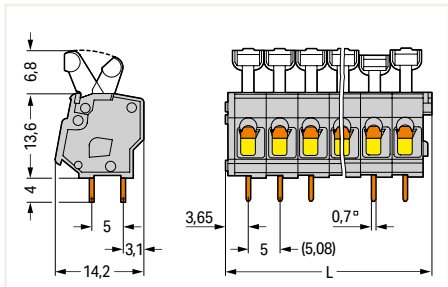


1

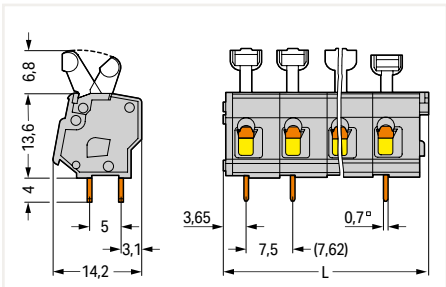
Pole No.	Item No.	PU (SPU)
2	257-402	400 (100)
3	257-403	280 (70)
4	257-404	220 (55)
5	257-405	180 (45)
6	257-406	140 (35)
7	257-407	120 (30)
8	257-408	100 (25)
9	257-409	100 (25)
10	257-410	80 (20)
12	257-412	80 (20)

Pole No.	Item No.	PU (SPU)
2	257-502	280 (70)
3	257-503	200 (50)
4	257-504	140 (35)
5	257-505	120 (30)
6	257-506	100 (25)
7	257-507	80 (20)
8	257-508	80 (20)
9	257-509	60 (15)
10	257-510	60 (15)
12	257-512	40 (10)

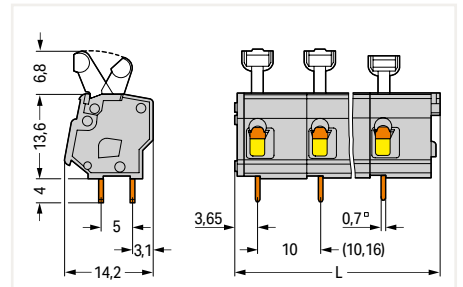
Pole No.	Item No.	PU (SPU)
2	257-602	200 (50)
3	257-603	140 (35)
4	257-604	100 (25)
5	257-605	80 (20)
6	257-606	80 (20)
7	257-607	60 (15)
8	257-608	60 (15)
9	257-609	40 (10)
10	257-610	40 (10)
12	257-612	40 (10)



L = (pole no. x pin spacing) + 2.9 mm



L = (pole no. x pin spacing) + 2.9 mm



L = (pole no. x pin spacing) + 2.9 mm

PU = Packaging Unit; SPU = Subpackaging Unit; Dimensions in mm

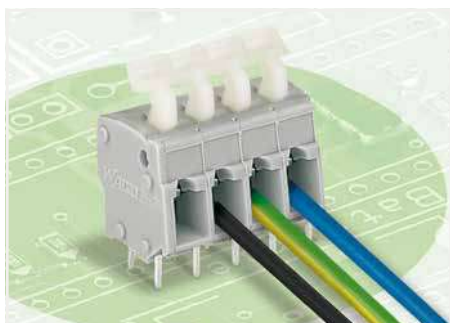
Other versions (or variants) can be requested from WAGO Sales or configured at <https://configurator.wago.com/>.

- Other pole numbers
- Versions for Ex e II and Ex i
- Other colors
- Mixed-color PCB connector strips
- Direct marking

Stackable PCB terminal block ▶ 257 Series

CAGE CLAMP® ▶ Actuation type: Push-button, angled ▶ 2.5 mm²

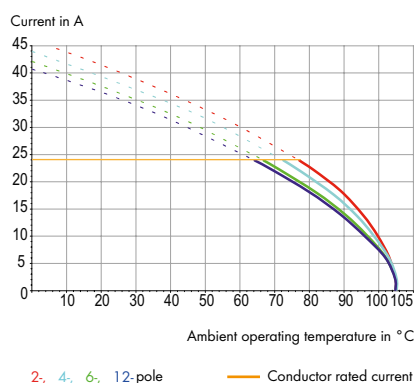
1



- PCB terminal blocks with push-buttons and CAGE CLAMP® connection
- Versions with Ex approval
- Set to metric or inch pin spacing by compressing PCB terminal strips or pulling them apart
- Ideal for in-the-field wiring thanks to simplified push-button actuation
- Convenient, tool-free operation

Current-Carrying Capacity Curve

Pin spacing: 5 mm / Conductor cross-section: 2.5 mm² "f-st"
Based on: EN 60512-5-2 / Reduction factor: 1



Electrical Data

Pin spacing	5/5.08 mm / 0.197/0.2 inch			7.5/7.62 mm / 0.295/0.3 inch			10/10.16 mm / 0.394/0.4 inch		
	IEC/EN 60664-1			IEC/EN 60664-1			IEC/EN 60664-1		
Ratings per									
Overvoltage category	III	III	II	III	III	II	III	III	II
Pollution degree	3	2	2	3	2	2	3	2	2
Rated voltage	250 V	320 V	630 V	400 V	630 V	1000 V	630 V	1000 V	1000 V
Rated impulse voltage	4 kV	4 kV	4 kV	6 kV	6 kV	6 kV	8 kV	8 kV	8 kV
Rated current	24 A	24 A	24 A	24 A	24 A	24 A	24 A	24 A	24 A

Approbations per	UL 1059			UL 1059			UL 1059		
	B	C	D	B	C	D	B	C	D
Use group	B	C	D	B	C	D	B	C	D
Rated voltage	300 V	-	300 V	300 V	-	300 V	300 V	-	300 V
Rated current	15 A	-	10 A	15 A	-	10 A	15 A	-	10 A

Approbations per	CSA			CSA			CSA		
	B	C	D	B	C	D	B	C	D
Use group	B	C	D	B	C	D	B	C	D
Rated voltage	300 V	-	300 V	300 V	-	300 V	300 V	-	300 V
Rated current	15 A	-	10 A	15 A	-	10 A	15 A	-	10 A

Connection Data

Connection technology	CAGE CLAMP®
Strip length	5 ... 6 mm / 0.2 ... 0.24 inch
Conductor connection direction to PCB	0°
Solid conductor	0.08 ... 2.5 mm ² / 28 ... 12 AWG
Fine-stranded conductor	0.08 ... 2.5 mm ² / 28 ... 12 AWG
Fine-stranded conductor; with insulated ferrule	0.25 ... 1.5 mm ²
Fine-stranded conductor; with uninsulated ferrule	0.25 ... 1.5 mm ²
Note (conductor cross-section)	12 AWG: THHN, THWN

Material Data

Material group	I
Insulation material	Polyamide (PA66)
Flammability class per UL94	V0
Clamping spring material	Chrome nickel spring steel (CrNi)
Contact material	Electrolytic copper (E _{cu})
Contact plating	Tin-plated

Mechanical Data

Solder pin arrangement	Within the terminal block (in-line)
Solder pin length	4 mm
Solder pin dimensions	0.7 x 0.7 mm
Drilled hole diameter with tolerance	1.1 ^(+0.1) mm

Environmental Requirements

Limit temperature range	-60 ... +105 °C
-------------------------	-----------------

Ferrule	Page 879
Marking	Page 865
Test and measurement	Page 258
Tool	Page 870
Commoning strips	Page 262

See technical section for further information

For approvals and corresponding ratings, visit www.wago.com

Stackable PCB terminal block ▶ 257 Series

CAGE CLAMP® ▶ Actuation type: Push-button, angled ▶ 2.5 mm²

Pin spacing: 5/5.08 mm / 0.197/0.2 inch

Pin spacing: 7.5/7.62 mm / 0.295/0.3 inch

Pin spacing: 10/10.16 mm / 0.394/0.4 inch



257-451

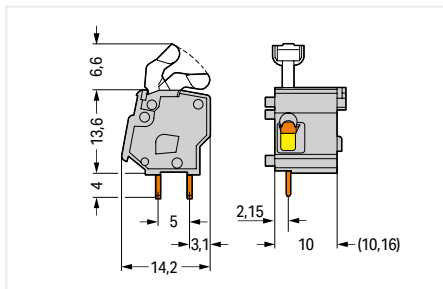
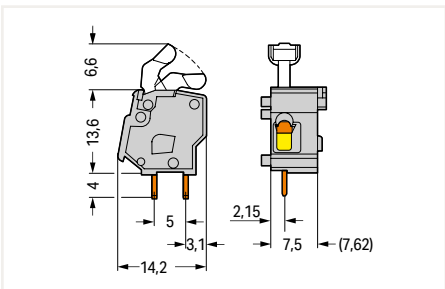
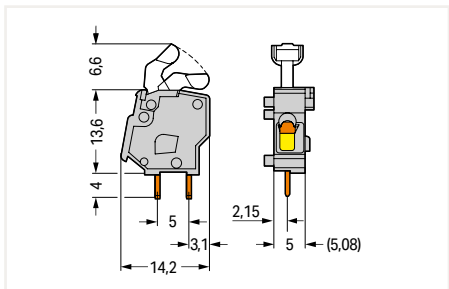
257-551

257-651

Color	Item No.	PU (SPU)
gray	257-451	500 (100)
blue	257-844	500 (100)
orange	257-846	500 (100)
light gray	257-843	500 (100)
light green	257-847	500 (100)
red	257-840	500 (100)
dark gray	257-842	500 (100)

Color	Item No.	PU (SPU)
gray	257-551	400 (100)
blue	257-854	400 (100)
orange	257-856	400 (100)
light gray	257-853	400 (100)
light green	257-857	400 (100)
red	257-850	400 (100)
dark gray	257-852	400 (100)

Color	Item No.	PU (SPU)
gray	257-651	300 (100)
blue	257-864	300 (100)
orange	257-866	300 (100)
light gray	257-863	300 (100)
light green	257-867	300 (100)
red	257-860	300 (100)
dark gray	257-862	300 (100)



Accessories; for all products on this page



End plate; Width: 1 mm; snap-on type

Color	Item No.	PU (SPU)
gray	257-100	2000 (100)
blue	257-400	2000 (100)
orange	257-600	2000 (100)
light gray	257-300	2000 (100)
light green	257-700	2000 (100)
red	257-500	2000 (100)
dark gray	257-200	2000 (100)



Intermediate plate; Extends pin spacing; Width: 5.08 mm / 0.2 inch

Color	Item No.	PU (SPU)
gray	257-801	500 (100)



Intermediate plate; Extends pin spacing; Width: 7.62 mm / 0.3 inch

Color	Item No.	PU (SPU)
gray	257-811	400 (100)



Intermediate plate; Extends pin spacing; Width: 10.16 mm / 0.4 inch

Color	Item No.	PU (SPU)
gray	257-821	300 (100)

PU = Packaging Unit; SPU = Subpackaging Unit; Dimensions in mm

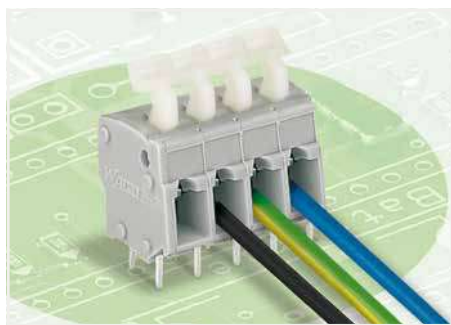
Other versions (or variants) can be requested from WAGO Sales or configured at <https://configurator.wago.com/>.

- Other colors
- Versions for Ex e II and Ex i

PCB terminal block ▶ 257 Series

CAGE CLAMP® ▶ Actuation type: Push-button, angled ▶ 2.5 mm² ▶ Color: gray

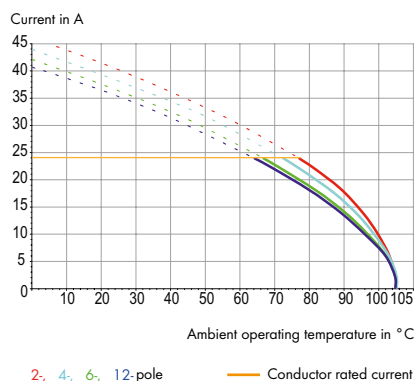
1



- PCB terminal blocks with push-buttons and CAGE CLAMP® connection
- Versions with Ex approval
- Set to metric or inch pin spacing by compressing PCB terminal strips or pulling them apart
- Ideal for in-the-field wiring thanks to simplified push-button actuation
- Convenient, tool-free operation

Current-Carrying Capacity Curve

Pin spacing: 5 mm / Conductor cross-section: 2.5 mm² "f-st"
Based on: EN 60512-5-2 / Reduction factor: 1



Electrical Data

Pin spacing	5/5.08 mm / 0.197/0.2 inch			7.5/7.62 mm / 0.295/0.3 inch			10/10.16 mm / 0.394/0.4 inch		
	IEC/EN 60664-1			IEC/EN 60664-1			IEC/EN 60664-1		
Ratings per	III	III	II	III	III	II	III	III	II
Oversoltage category	3	2	2	3	2	2	3	2	2
Pollution degree	250 V	320 V	630 V	400 V	630 V	1000 V	630 V	1000 V	1000 V
Rated voltage	4 kV	4 kV	4 kV	6 kV	6 kV	6 kV	8 kV	8 kV	8 kV
Rated impulse voltage	24 A	24 A	24 A	24 A	24 A	24 A	24 A	24 A	24 A
Rated current	UL 1059			UL 1059			UL 1059		
Approbations per	B	C	D	B	C	D	B	C	D
Use group	300 V	-	300 V	300 V	-	300 V	300 V	-	300 V
Rated voltage	15 A	-	10 A	15 A	-	10 A	15 A	-	10 A
Rated current	CSA			CSA			CSA		
Approbations per	B	C	D	B	C	D	B	C	D
Use group	300 V	-	300 V	300 V	-	300 V	300 V	-	300 V
Rated voltage	15 A	-	10 A	15 A	-	10 A	15 A	-	10 A
Rated current	CSA			CSA			CSA		
Approbations per	B	C	D	B	C	D	B	C	D
Use group	300 V	-	300 V	300 V	-	300 V	300 V	-	300 V
Rated voltage	15 A	-	10 A	15 A	-	10 A	15 A	-	10 A
Rated current	CSA			CSA			CSA		

Connection Data

Connection technology	CAGE CLAMP®
Strip length	5 ... 6 mm / 0.2 ... 0.24 inch
Conductor connection direction to PCB	0°
Solid conductor	0.08 ... 2.5 mm ² / 28 ... 12 AWG
Fine-stranded conductor	0.08 ... 2.5 mm ² / 28 ... 12 AWG
Fine-stranded conductor; with insulated ferrule	0.25 ... 1.5 mm ²
Fine-stranded conductor; with uninsulated ferrule	0.25 ... 1.5 mm ²
Note (conductor cross-section)	12 AWG: THHN, THWN

Material Data

Material group	I
Insulation material	Polyamide (PA66)
Flammability class per UL94	V0
Clamping spring material	Chrome nickel spring steel (CrNi)
Contact material	Electrolytic copper (E _{cu})
Contact plating	Tin-plated

Mechanical Data

Solder pin arrangement	Over the entire terminal strip (in-line)
Solder pin length	4 mm
Solder pin dimensions	0.7 x 0.7 mm
Drilled hole diameter with tolerance	1.1 (+0.1) mm

Environmental Requirements

Limit temperature range	-60 ... +105 °C
-------------------------	-----------------

Ferrule	Page 879
Marking	Page 865
Test and measurement	Page 258
Tool	Page 870
Commoning strips	Page 262

See technical section for further information

For approvals and corresponding ratings, visit www.wago.com

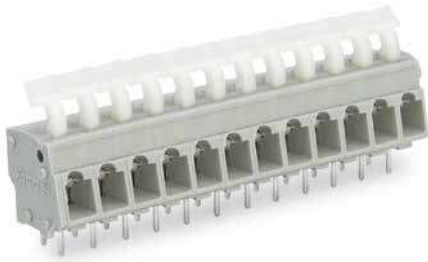
PCB terminal block ▶ 257 Series

CAGE CLAMP® ▶ Actuation type: Push-button, angled ▶ 2.5 mm² ▶ Color: gray

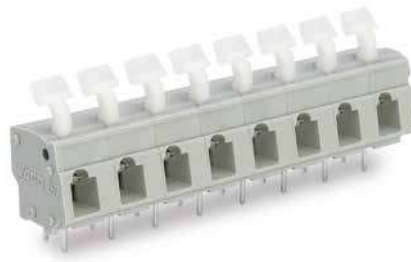
Pin spacing: 5/5.08 mm / 0.197/0.2 inch

Pin spacing: 7.5/7.62 mm / 0.295/0.3 inch

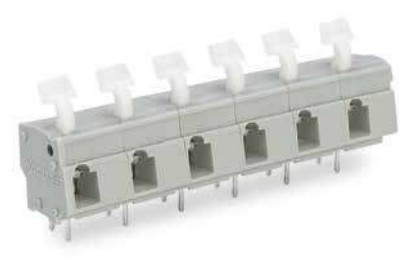
Pin spacing: 10/10.16 mm / 0.394/0.4 inch



257-462



257-558

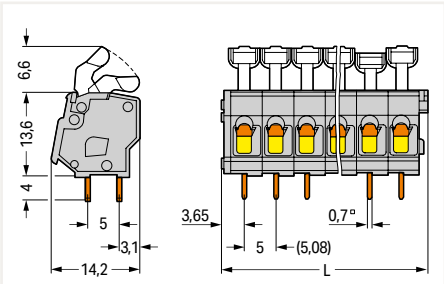


257-656

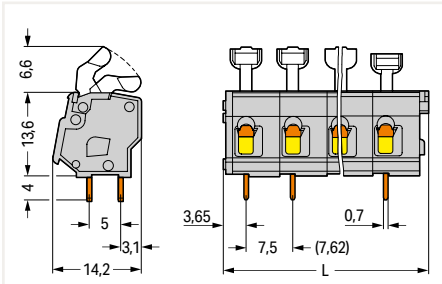
Pole No.	Item No.	PU (SPU)
2	257-452	400 (100)
3	257-453	280 (70)
4	257-454	220 (55)
5	257-455	180 (45)
6	257-456	140 (35)
7	257-457	120 (30)
8	257-458	100 (25)
9	257-459	100 (25)
10	257-460	80 (20)
12	257-462	80 (20)

Pole No.	Item No.	PU (SPU)
2	257-552	280 (70)
3	257-553	200 (50)
4	257-554	140 (35)
5	257-555	120 (30)
6	257-556	100 (25)
7	257-557	80 (20)
8	257-558	80 (20)
9	257-559	60 (15)
10	257-560	60 (15)
12	257-562	40 (10)

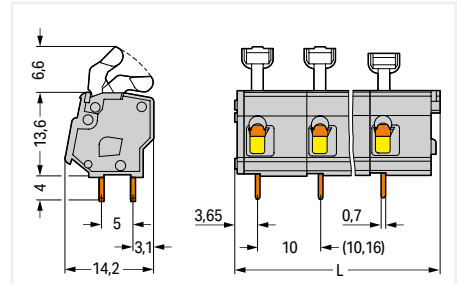
Pole No.	Item No.	PU (SPU)
2	257-652	220 (55)
3	257-653	140 (35)
4	257-654	100 (25)
5	257-655	80 (20)
6	257-656	80 (20)
7	257-657	60 (15)
8	257-658	60 (15)
9	257-659	40 (10)
10	257-660	40 (10)
12	257-662	40 (10)



$L = (\text{pole no.} \times \text{pin spacing}) + 2.9 \text{ mm}$



$L = (\text{pole no.} \times \text{pin spacing}) + 2.9 \text{ mm}$



$L = (\text{pole no.} \times \text{pin spacing}) + 2.9 \text{ mm}$

PU = Packaging Unit; SPU = Subpackaging Unit; Dimensions in mm

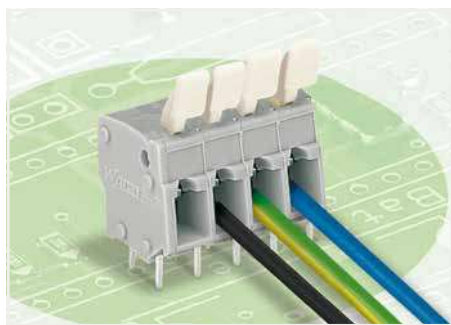
Other versions (or variants) can be requested from WAGO Sales or configured at <https://configurator.wago.com/>.

- Other pole numbers
- Versions for Ex e II and Ex i
- Other colors
- Mixed-color PCB connector strips
- Direct marking

PCB terminal block ▶ 257 Series

CAGE CLAMP® ▶ Actuation type: Finger-operated lever ▶ 2.5 mm² ▶ Color: gray

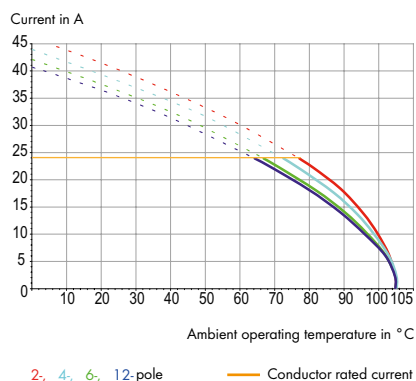
1



- PCB terminal blocks with push-buttons and CAGE CLAMP® connection
- Versions with Ex approval
- Set to metric or inch pin spacing by compressing PCB terminal strips or pulling them apart
- Ideal for in-the-field wiring thanks to simplified push-button actuation
- Convenient, tool-free operation

Current-Carrying Capacity Curve

Pin spacing: 5 mm / Conductor cross-section: 2.5 mm² "F-st"
Based on: EN 60512-5-2 / Reduction factor: 1



Electrical Data

Pin spacing	5/5.08 mm / 0.197/0.2 inch			7.5/7.62 mm / 0.295/0.3 inch			10/10.16 mm / 0.394/0.4 inch		
Ratings per	IEC/EN 60664-1			IEC/EN 60664-1			IEC/EN 60664-1		
Oversoltage category	III	III	II	III	III	II	III	III	II
Pollution degree	3	2	2	3	2	2	3	2	2
Rated voltage	250 V	320 V	630 V	400 V	630 V	1000 V	630 V	1000 V	1000 V
Rated impulse voltage	4 kV	4 kV	4 kV	6 kV	6 kV	6 kV	8 kV	8 kV	8 kV
Rated current	24 A	24 A	24 A	24 A	24 A	24 A	24 A	24 A	24 A

Approbations per	UL 1059			UL 1059			UL 1059		
Use group	B	C	D	B	C	D	B	C	D
Rated voltage	300 V	-	300 V	300 V	-	300 V	300 V	-	300 V
Rated current	15 A	-	10 A	15 A	-	10 A	15 A	-	10 A

Approbations per	CSA			CSA			CSA		
Use group	B	C	D	B	C	D	B	C	D
Rated voltage	300 V	-	300 V	300 V	-	300 V	300 V	-	300 V
Rated current	15 A	-	10 A	15 A	-	10 A	15 A	-	10 A

Connection Data

Connection technology	CAGE CLAMP®
Strip length	5 ... 6 mm / 0.2 ... 0.24 inch
Conductor connection direction to PCB	0°
Solid conductor	0.08 ... 2.5 mm ² / 28 ... 12 AWG
Fine-stranded conductor	0.08 ... 2.5 mm ² / 28 ... 12 AWG
Fine-stranded conductor; with insulated ferrule	0.25 ... 1.5 mm ²
Fine-stranded conductor; with uninsulated ferrule	0.25 ... 1.5 mm ²
Note (conductor cross-section)	12 AWG: THHN, THWN

Material Data

Material group	I
Insulation material	Polyamide (PA66)
Flammability class per UL94	V0
Clamping spring material	Chrome nickel spring steel (CrNi)
Contact material	Electrolytic copper (E _{cu})
Contact plating	Tin-plated

Mechanical Data

Solder pin arrangement	Over the entire terminal strip (in-line)
Solder pin length	4 mm
Solder pin dimensions	0.7 x 0.7 mm
Drilled hole diameter with tolerance	1.1 ^(+0.1) mm

Environmental Requirements

Limit temperature range	-60 ... +105 °C
-------------------------	-----------------

Ferrule Page 879

Marking Page 865

Test and measurement Page 258

Commoning strips Page 262

See technical section for further information

For approvals and corresponding ratings, visit www.wago.com

PCB terminal block ▶ 257 Series

CAGE CLAMP® ▶ Actuation type: Finger-operated lever ▶ 2.5 mm² ▶ Color: gray

Pin spacing: 5/5.08 mm / 0.197/0.2 inch

Pin spacing: 7.5/7.62 mm / 0.295/0.3 inch

Pin spacing: 10/10.16 mm / 0.394/0.4 inch



257-402/333-000



257-502/333-000

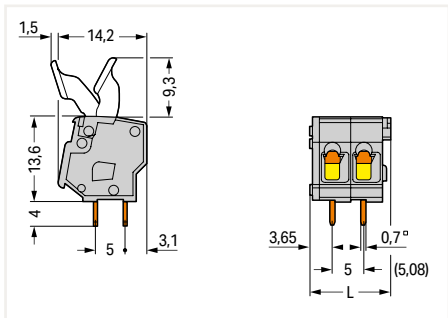


257-602/333-000

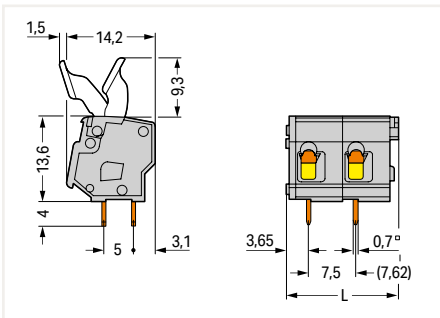
Pole No.	Item No.	PU (SPU)
2	257-402/333-000	400 (100)
3	257-403/333-000	280 (70)
4	257-404/333-000	220 (55)
5	257-405/333-000	180 (45)
6	257-406/333-000	140 (35)
7	257-407/333-000	120 (30)
8	257-408/333-000	100 (25)
9	257-409/333-000	100 (25)
10	257-410/333-000	80 (20)
12	257-412/333-000	80 (20)

Pole No.	Item No.	PU (SPU)
2	257-502/333-000	280 (70)
3	257-503/333-000	200 (50)
4	257-504/333-000	140 (35)
5	257-505/333-000	120 (30)
6	257-506/333-000	100 (25)
7	257-507/333-000	80 (20)
8	257-508/333-000	80 (20)
9	257-509/333-000	60 (15)
10	257-510/333-000	60 (15)
12	257-512/333-000	40 (10)

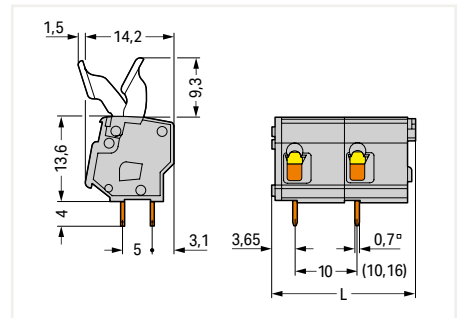
Pole No.	Item No.	PU (SPU)
2	257-602/333-000	220 (55)
3	257-603/333-000	140 (35)
4	257-604/333-000	100 (25)
5	257-605/333-000	80 (20)
6	257-606/333-000	80 (20)
7	257-607/333-000	60 (15)
8	257-608/333-000	60 (15)
9	257-609/333-000	40 (10)
10	257-610/333-000	40 (10)
12	257-612/333-000	40 (10)



$L = (\text{pole no.} \times \text{pin spacing}) + 2.9 \text{ mm}$
 For lengths greater than three poles, finger lever operation for center levers may not be possible due to finger size/spacing limitations.



$L = (\text{pole no.} \times \text{pin spacing}) + 2.9 \text{ mm}$



$L = (\text{pole no.} \times \text{pin spacing}) + 2.9 \text{ mm}$

PU = Packaging Unit; SPU = Subpackaging Unit; Dimensions in mm

Other versions (or variants) can be requested from WAGO Sales or configured at <https://configurator.wago.com/>.

- Other pole numbers
- Versions for Ex e II and Ex i
- Other colors
- Mixed-color PCB connector strips
- Direct marking

2706 and 2716 Series Description and Installation

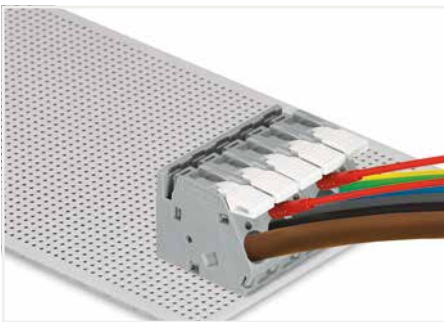
1



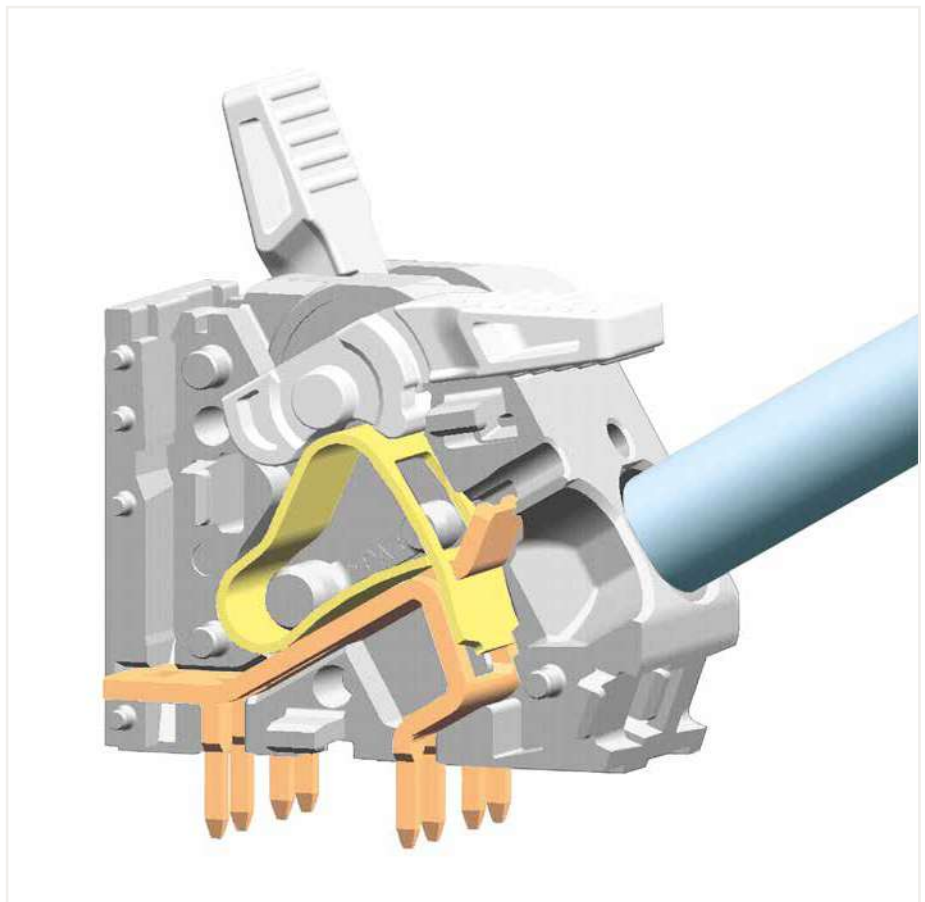
To open the clamping unit, pull the operating lever all the way back – 2706 and 2716 Series.



Inserting/removing a conductor – 2706 and 2716 Series.



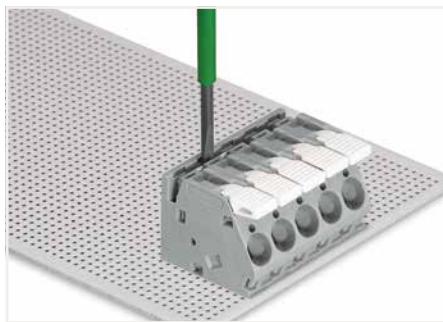
Testing with test plug – 2706 and 2716 Series.



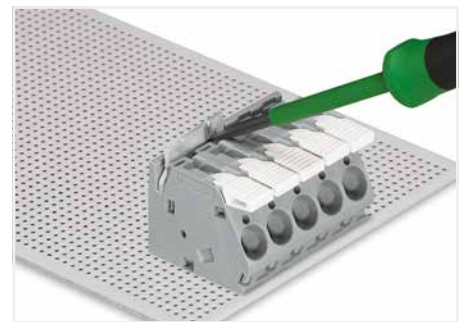
2706 and 2716 Series



Insert the comb-style jumper bar.



Push jumper bar down firmly using a screwdriver until it hits the backstop – 2706 and 2716 Series.



To remove the comb-style jumper bar, lift it up using a screwdriver – 2706 and 2716 Series.

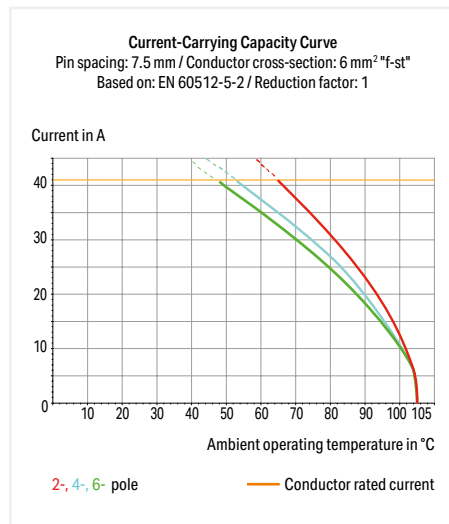
PCB terminal block ▶ 2706 Series

CAGE CLAMP® ▶ Actuation type: Lever ▶ 6 mm² ▶ Color: gray

1



- High-current PCB terminal strips with lever-actuated CAGE CLAMP® connection
- Tool-free termination – fingers open/close levers
- Several clamping units can be held open simultaneously – convenient for terminating multi-core cables
- Two solder pins per contact point for high mechanical stability
- 600 V UL for 12.5 mm pin spacing

**Electrical Data**

Pin spacing	7.5 mm / 0.295 inch			10 mm / 0.394 inch			12.5 mm / 0.492 inch		
Ratings per	IEC/EN 60664-1								
Overvoltage category	III	III	II	III	III	II	III	III	II
Pollution degree	3	2	2	3	2	2	3	2	2
Rated voltage	500 V	630 V	1000 V	800 V	1000 V	1000 V	1000 V	1000 V	1000 V
Rated impulse voltage	6 kV	6 kV	6 kV	8 kV	8 kV	8 kV	8 kV	8 kV	8 kV
Rated current	41 A	41 A	41 A	41 A	41 A	41 A	41 A	41 A	41 A
Approbations per	UL 1059			UL 1059			UL 1059		
Use group	B	C	D	B	C	D	B	C	D
Rated voltage	300 V	150 V	300 V	300 V	150 V	600 V	300 V	600 V	-
Rated current	30 A	30 A	30 A	30 A	30 A	5 A	30 A	30 A	-

Connection Data

Connection technology	CAGE CLAMP®
Strip length	11 ... 12 mm / 0.43 ... 0.47 inch
Conductor connection direction to PCB	30°
Solid conductor	0.5 ... 6 mm ² / 20 ... 10 AWG
Fine-stranded conductor	0.5 ... 6 mm ² / 20 ... 10 AWG
Fine-stranded conductor; with insulated ferrule	0.5 ... 6 mm ²
Fine-stranded conductor; with uninsulated ferrule	0.5 ... 6 mm ²

Material Data

Material group	I
Insulation material	Polyamide (PA66)
Flammability class per UL94	V0
Clamping spring material	Chrome nickel spring steel (CrNi)
Contact material	Electrolytic copper (E ₀)
Contact plating	Tin-plated

Mechanical Data

Solder pin arrangement	Over the entire terminal strip (in-line)
Solder pin length	4.5 mm
Solder pin dimensions	1 x 1.4 mm
Drilled hole diameter with tolerance	1.8 ^(+0.1) mm

Environmental Requirements

Limit temperature range	-60 ... +105 °C
-------------------------	-----------------

Ferrule Page 879

Test and measurement Page 886

See technical section for further information

For approvals and corresponding ratings, visit www.wago.com

PCB terminal block ▶ 2706 Series CAGE CLAMP® ▶ Actuation type: Lever ▶ 6 mm² ▶ Color: gray

Pin spacing: 7.5 mm / 0.295 inch

Pin spacing: 10 mm / 0.394 inch

Pin spacing: 12.5 mm / 0.492 inch



2706-104

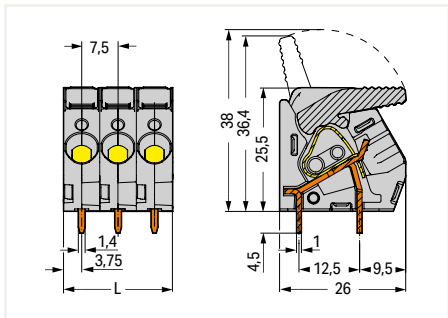
2706-204

2706-304

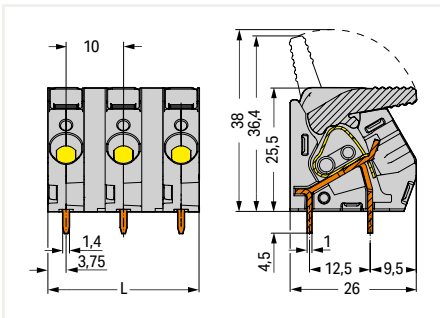
Pole No.	Item No.	PU
2	2706-102	85
3	2706-103	55
4	2706-104	40
5	2706-105	30
6	2706-106	25
7	2706-107	20
8	2706-108	20
9	2706-109	15
10	2706-110	15
11	2706-111	15
12	2706-112	10

Pole No.	Item No.	PU
2	2706-202	70
3	2706-203	45
4	2706-204	30
5	2706-205	25
6	2706-206	20
7	2706-207	15
8	2706-208	15
9	2706-209	10
10	2706-210	10
11	2706-211	10
12	2706-212	10

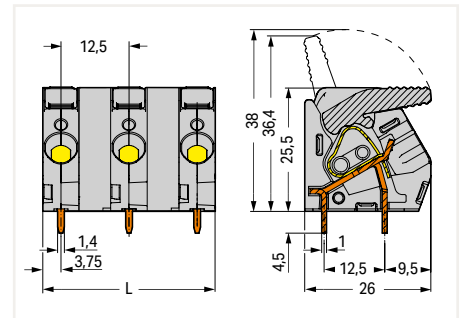
Pole No.	Item No.	PU
2	2706-302	65
3	2706-303	40
4	2706-304	25
5	2706-305	20
6	2706-306	15
7	2706-307	15
8	2706-308	10
9	2706-309	10
10	2706-310	10
11	2706-311	5
12	2706-312	5



L = pole no. x pin spacing



L = (pole no. x pin spacing) – 2.5 mm



L = (pole no. x pin spacing) – 5 mm

PU = Packaging Unit; SPU = Subpackaging Unit; Dimensions in mm

Other versions (or variants) can be requested from WAGO Sales or configured at <https://configurator.wago.com/>.

- Other pole numbers
- Other colors
- Mixed-color PCB connector strips
- Direct marking

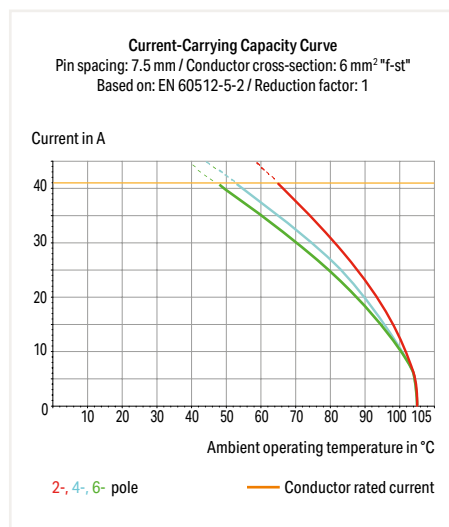
PCB terminal block ▶ 2706 Series

CAGE CLAMP® ▶ Actuation type: Lever ▶ Number of jumper slots: 1 ▶ 6 mm² ▶ Color: gray

1



- High-current PCB terminal strips with lever-actuated CAGE CLAMP® connection
- Tool-free termination – fingers open/close levers
- Several clamping units can be held open simultaneously – convenient for terminating multi-core cables
- Two solder pins per contact point for high mechanical stability
- Versions with optional commoning for distributing potentials



Electrical Data

Pin spacing	7.5 mm / 0.295 inch			10 mm / 0.394 inch		
Ratings per	IEC/EN 60664-1					
Overvoltage category	III	III	II	III	III	II
Pollution degree	3	2	2	3	2	2
Rated voltage	500 V	630 V	1000 V	800 V	1000 V	1000 V
Rated impulse voltage	6 kV	6 kV	6 kV	8 kV	8 kV	8 kV
Rated current	41 A	41 A	41 A	41 A	41 A	41 A
Approbations per	UL 1059			UL 1059		
Use group	B	C	D	B	C	D
Rated voltage	300 V	150 V	300 V	300 V	300 V	600 V
Rated current	30 A	30 A	30 A	30 A	30 A	5 A

Connection Data

Connection technology	CAGE CLAMP®
Strip length	11 ... 12 mm / 0.43 ... 0.47 inch
Conductor connection direction to PCB	30°
Solid conductor	0.5 ... 6 mm ² / 20 ... 10 AWG
Fine-stranded conductor	0.5 ... 6 mm ² / 20 ... 10 AWG
Fine-stranded conductor; with insulated ferrule	0.5 ... 6 mm ²
Fine-stranded conductor; with uninsulated ferrule	0.5 ... 6 mm ²

Material Data

Material group	I
Insulation material	Polyamide (PA66)
Flammability class per UL94	V0
Clamping spring material	Chrome nickel spring steel (CrNi)
Contact material	Electrolytic copper (E ₀)
Contact plating	Tin-plated

Mechanical Data

Solder pin arrangement	Over the entire terminal strip (in-line)
Solder pin length	4.5 mm
Solder pin dimensions	1 x 1.4 mm
Drilled hole diameter with tolerance	1.8 ^(+0.1) mm

Environmental Requirements

Limit temperature range	-60 ... +105 °C
-------------------------	-----------------

Ferrule Page 879

Jumper Page 259

Test and measurement Page 886

See technical section for further information

For approvals and corresponding ratings, visit www.wago.com

PCB terminal block ▶ 2706 Series

CAGE CLAMP® ▶ Actuation type: Lever ▶ Number of jumper slots: 1 ▶ 6 mm² ▶ Color: gray

Pin spacing: 7.5 mm / 0.295 inch

Pin spacing: 10 mm / 0.394 inch

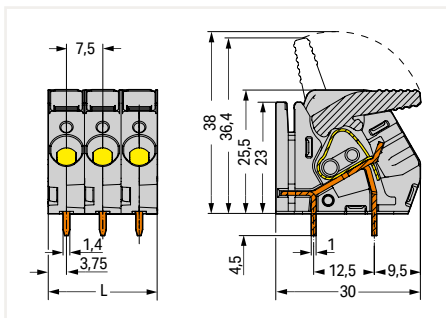


2706-154

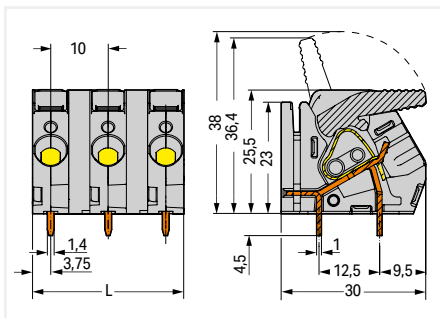
2706-254

Pole No.	Item No.	PU
2	2706-152	85
3	2706-153	55
4	2706-154	40
5	2706-155	30
6	2706-156	25
7	2706-157	20
8	2706-158	20
9	2706-159	15
10	2706-160	15
11	2706-161	15
12	2706-162	10

Pole No.	Item No.	PU
2	2706-252	70
3	2706-253	45
4	2706-254	30
5	2706-255	25
6	2706-256	20
7	2706-257	15
8	2706-258	15
9	2706-259	10
10	2706-260	10
11	2706-261	10
12	2706-262	10



L = pole no. x pin spacing



L = (pole no. x pin spacing) – 2.5 mm

PU = Packaging Unit; SPU = Subpackaging Unit; Dimensions in mm

Other versions (or variants) can be requested from WAGO Sales or configured at <https://configurator.wago.com/>.

- Other pole numbers
- Other colors
- Mixed-color PCB connector strips
- Direct marking

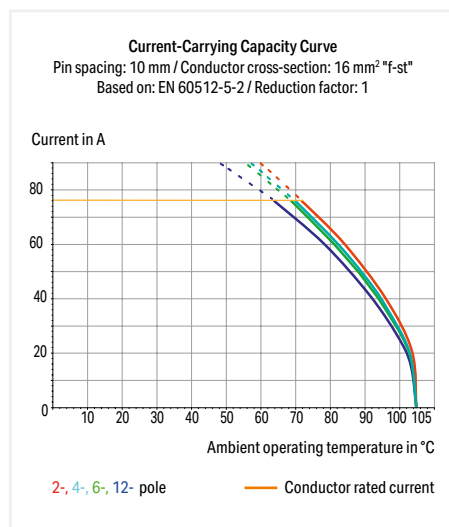
PCB terminal block ▶ 2716 Series

CAGE CLAMP® ▶ Actuation type: Lever ▶ 16 mm² ▶ Color: gray

1



- High-current PCB terminal strips with lever-actuated CAGE CLAMP® connection
- Tool-free termination – fingers open/close levers
- Several clamping units can be held open simultaneously – convenient for terminating multi-core cables
- Four solder pins per contact point provide high mechanical stability
- 600 V UL for 15 mm pin spacing
- Pin and dimensions compatible to high-current, screw-type terminal blocks

**Electrical Data**

Pin spacing	10 mm / 0.394 inch			15 mm / 0.591 inch		
Ratings per	IEC/EN 60664-1					
Overvoltage category	III	III	II	III	III	II
Pollution degree	3	2	2	3	2	2
Rated voltage	320 V	320 V	630 V	800 V	1000 V	1000 V
Rated impulse voltage	4 kV	4 kV	4 kV	8 kV	8 kV	8 kV
Rated current	76 A	76 A	76 A	76 A	76 A	76 A
Approbations per	UL 1059			UL 1059		
Use group	B	C	D	B	C	D
Rated voltage	300 V	150 V	300 V	600 V	600 V	-
Rated current	55 A	55 A	10 A	65 A	65 A	-

Connection Data

Connection technology	CAGE CLAMP®
Strip length	12 ... 13 mm / 0.47 ... 0.51 inch
Conductor connection direction to PCB	30°
Solid conductor	1.5 ... 16 mm ² / 16 ... 6 AWG
Fine-stranded conductor	1.5 ... 16 mm ² / 16 ... 6 AWG
Fine-stranded conductor; with insulated ferrule	1.5 ... 10 mm ²
Fine-stranded conductor; with uninsulated ferrule	1.5 ... 10 mm ²

Material Data

Material group	I
Insulation material	Polyamide (PA66)
Flammability class per UL94	V0
Clamping spring material	Chrome nickel spring steel (CrNi)
Contact material	Electrolytic copper (E ₀)
Contact plating	Tin-plated

Mechanical Data

Solder pin arrangement	Over the entire terminal strip (in-line)
Solder pin length	4.5 mm
Solder pin dimensions	0.95 x 1.2 mm
Drilled hole diameter with tolerance	1.6 ^(+0.1) mm

Environmental Requirements

Limit temperature range	-60 ... +105 °C
-------------------------	-----------------

Ferrule Page 879

Test and measurement Page 886

See technical section for further information

For approvals and corresponding ratings, visit www.wago.com

PCB terminal block ▶ 2716 Series

CAGE CLAMP® ▶ Actuation type: Lever ▶ 16 mm² ▶ Color: gray

Pin spacing: 10 mm / 0.394 inch

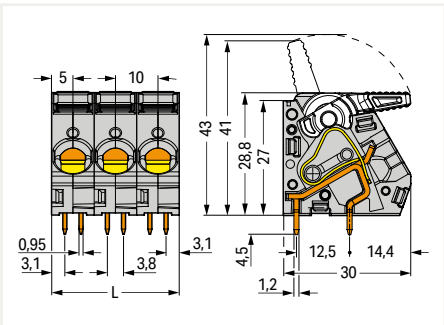
Pin spacing: 15 mm / 0.591 inch



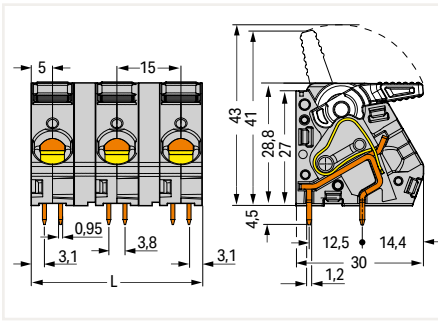
2716-104

Pole No.	Item No.	PU
2	2716-102	65
3	2716-103	40
4	2716-104	30
5	2716-105	25
6	2716-106	20
7	2716-107	15
8	2716-108	15

Pole No.	Item No.	PU
2	2716-202	50
3	2716-203	30
4	2716-204	20
5	2716-205	15
6	2716-206	15
7	2716-207	10
8	2716-208	10



L = pole no. x pin spacing



L = (pole no. x pin spacing) - 5 mm

PU = Packaging Unit; SPU = Subpackaging Unit; Dimensions in mm

Other versions (or variants) can be requested from WAGO Sales or configured at <https://configurator.wago.com/>.

- Other pole numbers
- Other colors
- Mixed-color PCB connector strips
- Direct marking

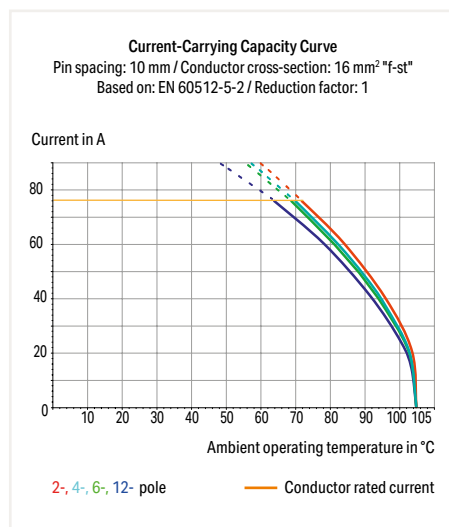
PCB terminal block ▶ 2716 Series

CAGE CLAMP® ▶ Actuation type: Lever ▶ Number of jumper slots: 1 ▶ 16 mm² ▶ Color: gray

1



- High-current PCB terminal strips with lever-actuated CAGE CLAMP® connection
- Tool-free termination – fingers open/close levers
- Several clamping units can be held open simultaneously – convenient for terminating multi-core cables
- Four solder pins per contact point provide high mechanical stability
- 600 V UL for 15 mm pin spacing
- Versions with optional commoning for distributing potentials

**Electrical Data**

Pin spacing	10 mm / 0.394 inch			15 mm / 0.591 inch		
Ratings per	IEC/EN 60664-1					
Overvoltage category	III	III	II	III	III	II
Pollution degree	3	2	2	3	2	2
Rated voltage	320 V	320 V	630 V	800 V	1000 V	1000 V
Rated impulse voltage	4 kV	4 kV	4 kV	8 kV	8 kV	8 kV
Rated current	76 A	76 A	76 A	76 A	76 A	76 A
Approbations per	UL 1059			UL 1059		
Use group	B	C	D	B	C	D
Rated voltage	300 V	150 V	300 V	600 V	600 V	-
Rated current	55 A	55 A	10 A	65 A	65 A	-

Connection Data

Connection technology	CAGE CLAMP®
Strip length	12 ... 13 mm / 0.47 ... 0.51 inch
Conductor connection direction to PCB	30°
Solid conductor	1.5 ... 16 mm ² / 16 ... 6 AWG
Fine-stranded conductor	1.5 ... 16 mm ² / 16 ... 6 AWG
Fine-stranded conductor; with insulated ferrule	1.5 ... 10 mm ²
Fine-stranded conductor; with uninsulated ferrule	1.5 ... 10 mm ²

Material Data

Material group	I
Insulation material	Polyamide (PA66)
Flammability class per UL94	V0
Clamping spring material	Chrome nickel spring steel (CrNi)
Contact material	Electrolytic copper (E _{cu})
Contact plating	Tin-plated

Mechanical Data

Solder pin arrangement	Over the entire terminal strip (in-line)
Solder pin length	4.5 mm
Solder pin dimensions	0.95 x 1.2 mm
Drilled hole diameter with tolerance	1.6 ^(+0.1) mm

Environmental Requirements

Limit temperature range	-60 ... +105 °C
-------------------------	-----------------

Ferrule Page 879

Jumper Page 259

Test and measurement Page 886

See technical section for further information

For approvals and corresponding ratings, visit www.wago.com

PCB terminal block ▶ 2716 Series

CAGE CLAMP® ▶ Actuation type: Lever ▶ Number of jumper slots: 1 ▶ 16 mm² ▶ Color: gray

Pin spacing: 10 mm / 0.394 inch

Pin spacing: 15 mm / 0.591 inch

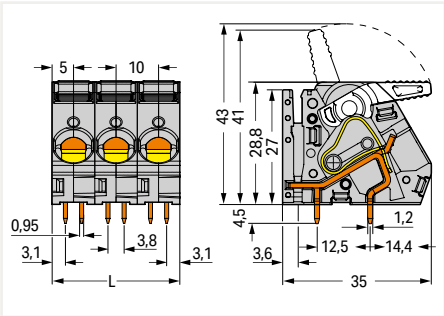


2716-154

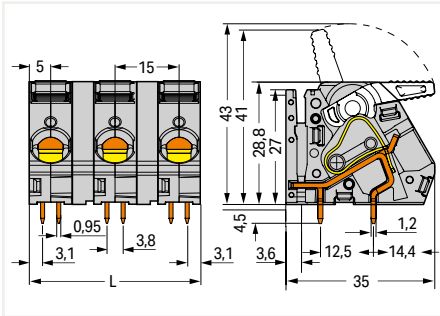
2716-254

Pole No.	Item No.	PU
2	2716-152	52
3	2716-153	32
4	2716-154	24
5	2716-155	20
6	2716-156	16
7	2716-157	12
8	2716-158	12

Pole No.	Item No.	PU
2	2716-252	40
3	2716-253	24
4	2716-254	16
5	2716-255	12
6	2716-256	12
7	2716-257	8
8	2716-258	8



L = pole no. x pin spacing



L = (pole no. x pin spacing) - 5 mm

PU = Packaging Unit; SPU = Subpackaging Unit; Dimensions in mm

Other versions (or variants) can be requested from WAGO Sales or configured at <https://configurator.wago.com/>.

- Other pole numbers
- Other colors
- Mixed-color PCB connector strips
- Direct marking

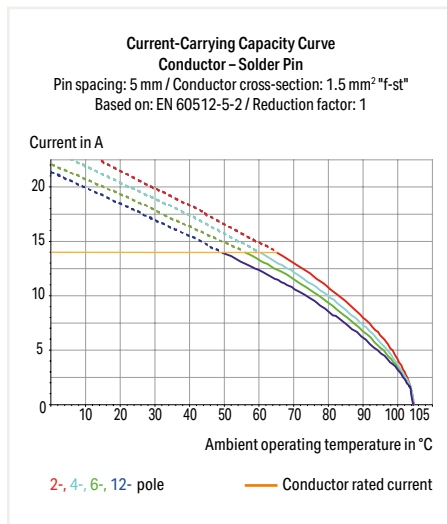
2-conductor PCB terminal block ▶ 816 Series

Push-in CAGE CLAMP® ▶ Actuation type: Operating tool ▶ 1.5 mm² ▶ Pin spacing: 5 mm / 0.197 inch ▶ Color: gray

1



- Two-conductor terminal strips with screwdriver actuation and Push-in CAGE CLAMP® connection
- Double entries for supply and power distribution
- Simple, reliable connection via clamping units featuring individual operating slots
- Simple, push-in termination of solid and ferruled conductors



Electrical Data

Pin spacing	5 mm / 0.197 inch		
Ratings per	IEC/EN 60664-1		
Overvoltage category	III	III	II
Pollution degree	3	2	2
Rated voltage	320 V	320 V	630 V
Rated impulse voltage	4 kV	4 kV	4 kV
Rated current	14 A	14 A	14 A
Approbations per	UL 1059		
Use group	B	C	D
Rated voltage	300 V	-	300 V
Rated current	10 A	-	10 A
Approbations per	CSA		
Use group	B	C	D
Rated voltage	300 V	-	300 V
Rated current	8 A	-	-

Connection Data

Connection technology	Push-in CAGE CLAMP®
Strip length	9 ... 10 mm / 0.35 ... 0.39 inch
Conductor connection direction to PCB	45 °
Solid conductor	0.2 ... 1.5 mm ² / 24 ... 16 AWG
Fine-stranded conductor	0.2 ... 1.5 mm ² / 24 ... 16 AWG
Fine-stranded conductor; with insulated ferrule	0.2 ... 1 mm ²
Fine-stranded conductor; with uninsulated ferrule	0.2 ... 1.5 mm ²

Material Data

Material group	I
Insulation material	Polyamide (PA66)
Flammability class per UL94	V0
Clamping spring material	Chrome nickel spring steel (CrNi)
Contact material	Copper alloy
Contact plating	Tin-plated

Mechanical Data

Solder pin arrangement	Over the entire terminal strip (in-line)
Solder pin length	3.5 mm
Solder pin dimensions	0.8 x 0.5 mm
Drilled hole diameter with tolerance	1.1 ^(+0.1) mm

Environmental Requirements

Limit temperature range	-60 ... +105 °C
-------------------------	-----------------

Ferrule Page 879

Marking Page 865

Tool Page 870

See technical section for further information

For approvals and corresponding ratings, visit www.wago.com

2-conductor PCB terminal block ▶ 816 Series

Push-in CAGE CLAMP® ▶ Actuation type: Operating tool ▶ 1.5 mm² ▶ Pin spacing: 5 mm / 0.197 inch ▶ Color: gray

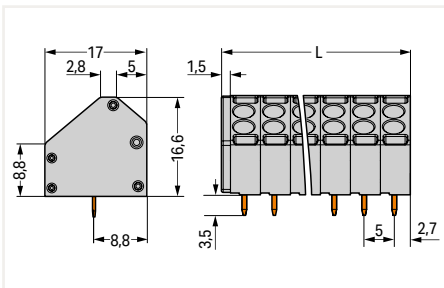


816-105

Open the clamping unit via screwdriver (3.5 mm blade) to insert/remove fine-stranded conductors.

Pole No.	Item No.	PU (SPU)
2	816-102	322 (161)
3	816-103	224 (112)
4	816-104	168 (84)
5	816-105	140 (70)
6	816-106	112 (56)
7	816-107	98 (49)
8	816-108	84 (42)
9	816-109	70 (35)
10	816-110	70 (35)
11	816-111	56 (28)
12	816-112	56 (28)

Push in solid and ferruled, fine-stranded conductors until fully inserted.



$L = (\text{pole no.} \times \text{pin spacing}) + 1.5 \text{ mm}$

PU = Packaging Unit; SPU = Subpackaging Unit; Dimensions in mm

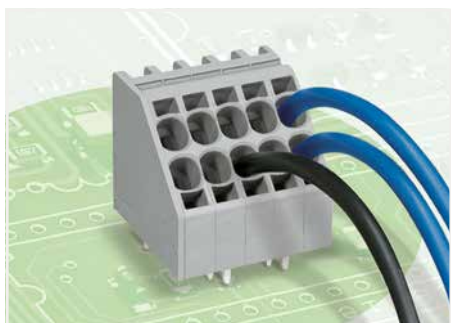
Other versions (or variants) can be requested from WAGO Sales or configured at <https://configurator.wago.com/>.

- Other pole numbers
- Other colors
- Mixed-color PCB connector strips
- Direct marking

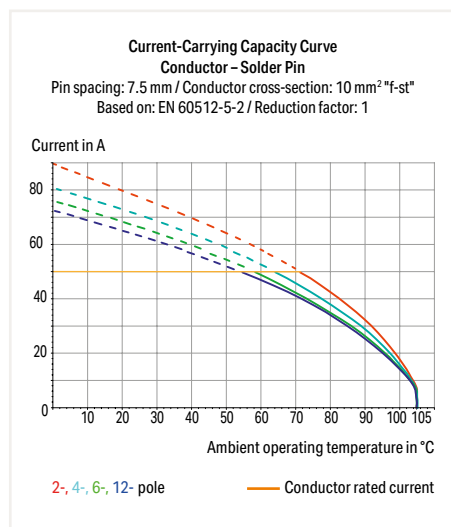
2-conductor PCB terminal block ▶ 746 Series

Push-in CAGE CLAMP® ▶ Actuation type: Operating tool ▶ 10 mm² ▶ Pin spacing: 7.5 mm / 0.295 inch ▶ Color: gray

1



- Two-conductor terminal strips with screwdriver actuation and Push-in CAGE CLAMP® connection
- Double entries for supply and power distribution
- Simple, reliable connection via clamping units featuring individual operating slots
- 600 V UL per UL 1059
- Simple, push-in termination of solid and ferruled conductors
- Marker slot for miniature WSB and WMB markers



Electrical Data

Pin spacing	7.5 mm / 0.295 inch		
Ratings per	IEC/EN 60664-1		
Overvoltage category	III	III	II
Pollution degree	3	2	2
Rated voltage	800 V	1000 V	1000 V
Rated impulse voltage	8 kV	8 kV	8 kV
Rated current	50 A	50 A	50 A
Approbations per	UL 1059		
Use group	B	C	D
Rated voltage	600 V	600 V	-
Rated current	50 A	50 A	-
Approbations per	CSA		
Use group	B	C	D
Rated voltage	600 V	600 V	-
Rated current	44 A	44 A	-

Connection Data

Connection technology	Push-in CAGE CLAMP®
Strip length	13 ... 15 mm / 0.51 ... 0.59 inch
Conductor connection direction to PCB	45 °
Solid conductor	0.5 ... 10 mm ² / 20 ... 8 AWG
Fine-stranded conductor	0.5 ... 10 mm ² / 20 ... 8 AWG
Fine-stranded conductor; with insulated ferrule	0.5 ... 6 mm ²
Fine-stranded conductor; with uninsulated ferrule	0.5 ... 6 mm ²

Material Data

Material group	I
Insulation material	Polyamide (PA66)
Flammability class per UL94	V0
Clamping spring material	Chrome nickel spring steel (CrNi)
Contact material	Electrolytic copper (E _{Cu})
Contact plating	Tin-plated

Mechanical Data

Solder pin arrangement	Over the entire terminal strip (staggered)
Solder pin length	4.4 mm
Solder pin dimensions	1.6 x 1.2 mm
Drilled hole diameter with tolerance	2.2 ^(+0.1) mm

Environmental Requirements

Limit temperature range	-60 ... +105 °C
-------------------------	-----------------

Ferrule Page 879

Marking Page 862

Test and measurement Page 886

Tool Page 870

See technical section for further information

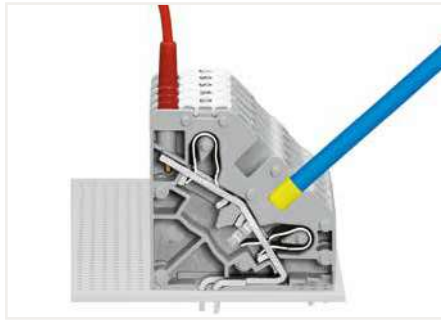
For approvals and corresponding ratings, visit www.wago.com

2-conductor PCB terminal block ▶ 746 Series

Push-in CAGE CLAMP® ▶ Actuation type: Operating tool ▶ 10 mm² ▶ Pin spacing: 7.5 mm / 0.295 inch ▶ Color: gray



746-2305



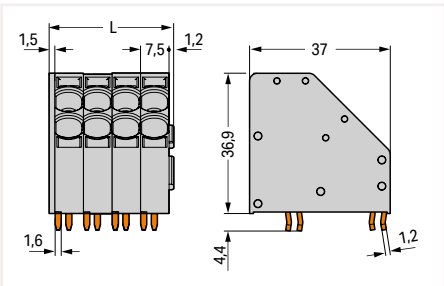
Inserting solid and ferruled conductors by simply pushing them into unit.

Testing with 2 mm Ø test plug.

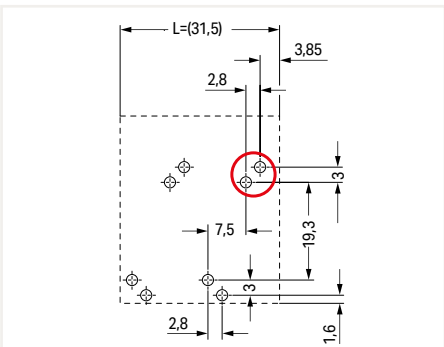
Pole No.	Item No.	PU
2	746-2302	60
3	746-2303	40
4	746-2304	32
5	746-2305	24
6	746-2306	20
7	746-2307	16
8	746-2308	16
9	746-2309	12
10	746-2310	12
12	746-2312	8



Inserting fine-stranded conductors via screwdriver (5.5 mm blade).



$L = (\text{pole no.} \times \text{pin spacing}) + 2.7 \text{ mm}$



First solder pins, right rear (red circle)

PU = Packaging Unit; SPU = Subpackaging Unit; Dimensions in mm

Other versions (or variants) can be requested from WAGO Sales or configured at <https://configurator.wago.com/>.

- Other pole numbers
- Other colors
- Mixed-color PCB connector strips
- Direct marking

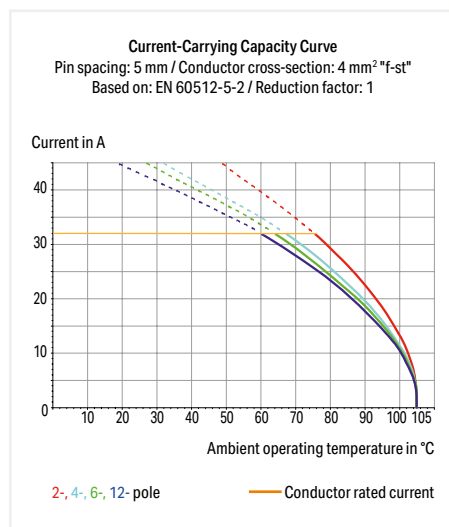
PCB terminal block ▶ 2624 Series

Push-in CAGE CLAMP® ▶ Actuation type: Operating tool ▶ 6 mm² ▶ Modular terminal block ▶ Pin spacing: 5 mm / 0.197 inch ▶ Color: gray

1



- PCB terminal blocks with Push-in CAGE CLAMP® connection
- Push-in termination of solid and ferruled conductors
- Ideal for panel feedthrough applications via operation parallel to conductor entry
- Testing can be performed both parallel and perpendicular to conductor entry



Electrical Data			
Pin spacing	5 mm / 0.197 inch		
Ratings per	IEC/EN 60664-1		
Overvoltage category	III	III	II
Pollution degree	3	2	2
Rated voltage	320 V	400 V	630 V
Rated impulse voltage	4 kV	4 kV	4 kV
Rated current	41 A	41 A	41 A
Approbations per	UL 1059		
Use group	B	C	D
Rated voltage	300 V	-	300 V
Rated current	26 A	-	10 A
Approbations per	CSA		
Use group	B	C	D
Rated voltage	300 V	-	300 V
Rated current	26 A	-	5 A

Connection Data	
Connection technology	Push-in CAGE CLAMP®
Strip length	10 ... 12 mm / 0.39 ... 0.47 inch
Solid conductor	0.2 ... 6 mm ² / 24 ... 10 AWG
Fine-stranded conductor	0.2 ... 6 mm ² / 24 ... 10 AWG
Fine-stranded conductor; with insulated ferrule	0.25 ... 2.5 mm ²
Fine-stranded conductor; with uninsulated ferrule	0.25 ... 2.5 mm ²
Fine-stranded conductor; with twin ferrule	0.25 ... 1.5 mm ²

Material Data	
Material group	I
Insulation material	Polyamide (PA66)
Flammability class per UL94	V0
Clamping spring material	Chrome nickel spring steel (CrNi)
Contact material	Electrolytic copper (E _{cu})
Contact plating	Tin-plated

Mechanical Data	
Solder pin arrangement	Within the terminal block (in-line)
Solder pin length	4 mm
Solder pin dimensions	0.8 x 1 mm
Drilled hole diameter with tolerance	1.3 ^(±0.1) mm

Environmental Requirements	
Limit temperature range	-60 ... +105 °C

Ferrule Page 879

Tool Page 870

See technical section for further information

For approvals and corresponding ratings, visit www.wago.com

PCB terminal block ▶ 2624 Series

Push-in CAGE CLAMP® ▶ Actuation type: Operating tool ▶ 6 mm² ▶ Modular terminal block ▶ Pin spacing: 5 mm / 0.197 inch ▶ Color: gray

Conductor connection direction to PCB: 0°

Conductor connection direction to PCB: 90°



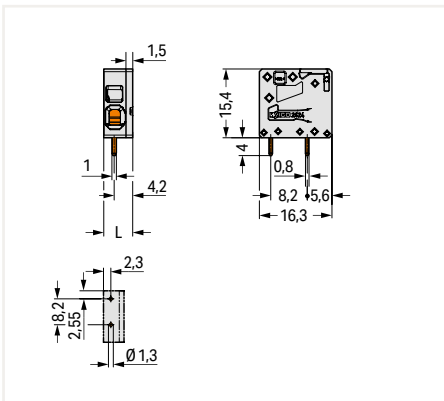
2624-1101



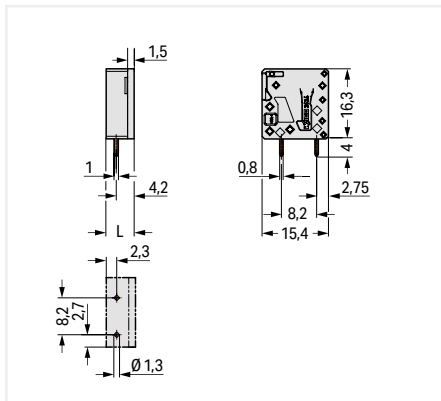
2624-3101

Color	Item No.	PU
● gray	2624-1101	300

Color	Item No.	PU
● gray	2624-3101	300



L = 6.5 mm



L = 6.5 mm

PU = Packaging Unit; SPU = Subpackaging Unit; Dimensions in mm

Other versions (or variants) can be requested from WAGO Sales or configured at <https://configurator.wago.com/>.

- Other pole numbers
- Direct marking
- Other colors

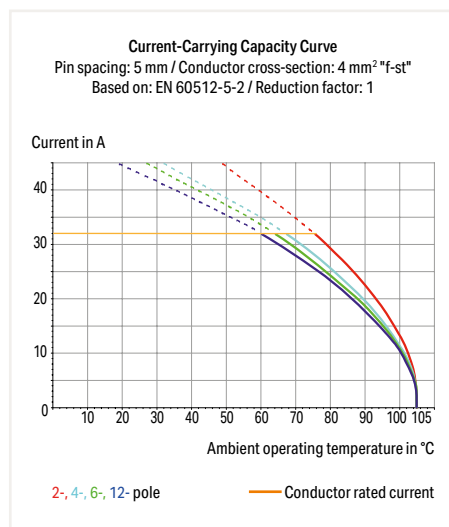
PCB terminal block ▶ 2624 Series

Push-in CAGE CLAMP® ▶ Actuation type: Operating tool ▶ 6 mm² ▶ Terminal strip ▶ Color: gray

1



- PCB terminal blocks with Push-in CAGE CLAMP® connection
- Push-in termination of solid and ferruled conductors
- Ideal for panel feedthrough applications via operation parallel to conductor entry
- Testing can be performed both parallel and perpendicular to conductor entry



Electrical Data									
Pin spacing	5 mm / 0.197 inch			7.5 mm / 0.295 inch			11.5 mm / 0.453 inch		
Ratings per	IEC/EN 60664-1								
Overvoltage category	III	III	II	III	III	II	III	III	II
Pollution degree	3	2	2	3	2	2	3	2	2
Rated voltage	320 V	400 V	630 V	630 V	1000 V	1000 V	1000 V	1000 V	1000 V
Rated impulse voltage	4 kV	4 kV	4 kV	6 kV	6 kV	6 kV	8 kV	8 kV	8 kV
Rated current	41 A	41 A	41 A	41 A	41 A	41 A	41 A	41 A	41 A

UL 1059									
Approbations per	UL 1059			UL 1059			UL 1059		
Use group	B	C	D	B	C	D	B	C	D
Rated voltage	300 V	-	300 V	300 V	150 V	300 V	600 V	600 V	-
Rated current	26 A	-	10 A	26 A	26 A	10 A	26 A	26 A	-

CSA									
Approbations per	CSA			CSA			CSA		
Use group	B	C	D	B	C	D	B	C	D
Rated voltage	300 V	-	300 V	300 V	-	300 V	600 V	600 V	-
Rated current	26 A	-	5 A	26 A	-	5 A	26 A	26 A	-

Connection Data	
Connection technology	Push-in CAGE CLAMP®
Strip length	10 ... 12 mm / 0.39 ... 0.47 inch
Solid conductor	0.2 ... 6 mm ² / 24 ... 10 AWG
Fine-stranded conductor	0.2 ... 6 mm ² / 24 ... 10 AWG
Fine-stranded conductor; with insulated ferrule	0.25 ... 2.5 mm ²
Fine-stranded conductor; with uninsulated ferrule	0.25 ... 2.5 mm ²
Fine-stranded conductor; with twin ferrule	0.25 ... 1.5 mm ²

Material Data	
Material group	I
Insulation material	Polyamide (PA66)
Flammability class per UL94	V0
Clamping spring material	Chrome nickel spring steel (CrNi)
Contact material	Electrolytic copper (E _{cu})
Contact plating	Tin-plated

Mechanical Data	
Solder pin arrangement	Over the entire terminal strip (in-line)
Solder pin length	4 mm
Solder pin dimensions	0.8 x 1 mm
Drilled hole diameter with tolerance	1.3 ^(+0.1) mm

Environmental Requirements	
Limit temperature range	-60 ... +105 °C

Ferrule Page 879

Tool Page 870

See technical section for further information

For approvals and corresponding ratings, visit www.wago.com

PCB terminal block ▶ 2624 Series

Push-in CAGE CLAMP® ▶ Actuation type: Operating tool ▶ 6 mm² ▶ Terminal strip ▶ Color: gray

Conductor connection direction to PCB: 0° ▶ Pin spacing: 5 mm / 0.197 inch

Conductor connection direction to PCB: 0° ▶ Pin spacing: 7.5 mm / 0.295 inch

Conductor connection direction to PCB: 0° ▶ Pin spacing: 11.5 mm / 0.453 inch



2624-1103

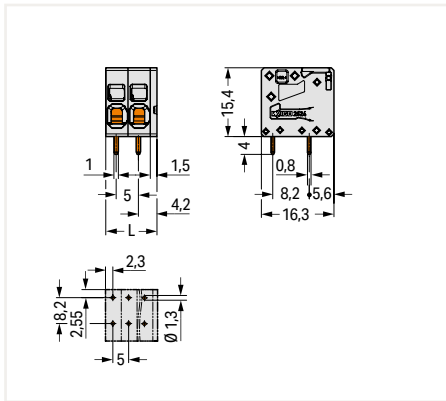
2624-1303

2624-1503

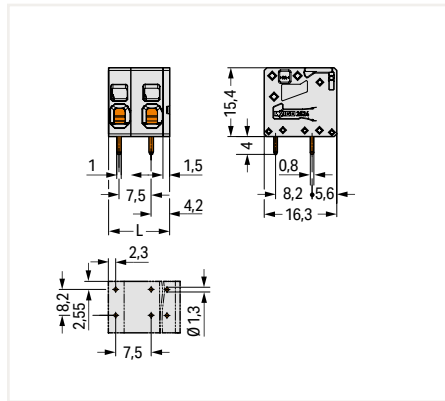
Pole No.	Item No.	PU
2	2624-1102	200
3	2624-1103	150
4	2624-1104	100
5	2624-1105	100
6	2624-1106	80
7	2624-1107	50
8	2624-1108	50
9	2624-1109	50
10	2624-1110	40
11	2624-1111	35
12	2624-1112	35

Pole No.	Item No.	PU
2	2624-1302	200
3	2624-1303	120
4	2624-1304	80
5	2624-1305	70
6	2624-1306	50
7	2624-1307	50
8	2624-1308	40
9	2624-1309	35
10	2624-1310	35
11	2624-1311	25
12	2624-1312	25

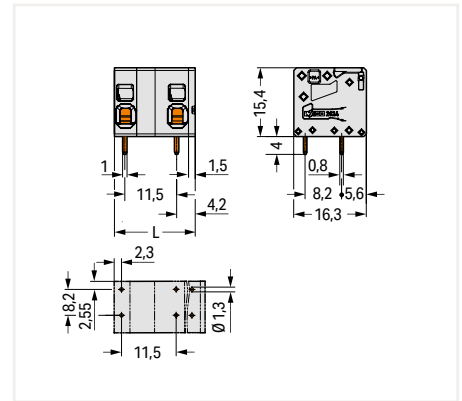
Pole No.	Item No.	PU
2	2624-1502	100
3	2624-1503	80
4	2624-1504	50
5	2624-1505	40
6	2624-1506	40
7	2624-1507	30
8	2624-1508	25
9	2624-1509	25
10	2624-1510	20
11	2624-1511	20
12	2624-1512	20



L = (pole no. - 1) x pin spacing + 6.5 mm



L = (pole no. - 1) x pin spacing + 6.5 mm



L = (pole no. - 1) x pin spacing + 6.5 mm

PU = Packaging Unit; SPU = Subpackaging Unit; Dimensions in mm

Other versions (or variants) can be requested from WAGO Sales or configured at <https://configurator.wago.com/>.

- Other pole numbers
- Direct marking
- Other colors

PCB terminal block ▶ 2624 Series

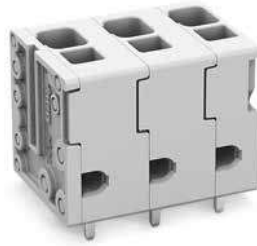
Push-in CAGE CLAMP® ▶ Actuation type: Operating tool ▶ 6 mm² ▶ Terminal strip ▶ Color: gray

Conductor connection direction to PCB: 90° ▶ Pin spacing: 5 mm / 0.197 inch

Conductor connection direction to PCB: 90° ▶ Pin spacing: 7.5 mm / 0.295 inch

Conductor connection direction to PCB: 90° ▶ Pin spacing: 11.5 mm / 0.453 inch

1



2624-3103

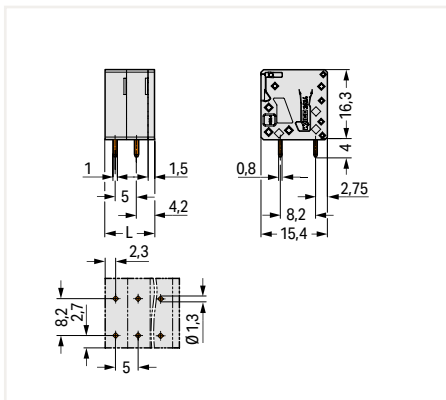
2624-3303

2624-3503

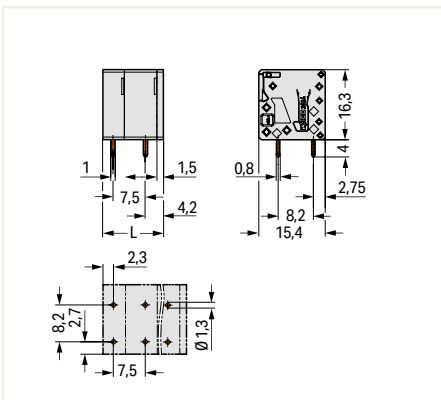
Pole No.	Item No.	PU
2	2624-3102	200
3	2624-3103	150
4	2624-3104	100
5	2624-3105	100
6	2624-3106	80
7	2624-3107	50
8	2624-3108	50
9	2624-3109	50
10	2624-3110	40
11	2624-3111	35
12	2624-3112	35

Pole No.	Item No.	PU
2	2624-3302	200
3	2624-3303	120
4	2624-3304	80
5	2624-3305	70
6	2624-3306	50
7	2624-3307	50
8	2624-3308	40
9	2624-3309	35
10	2624-3310	35
11	2624-3311	25
12	2624-3312	25

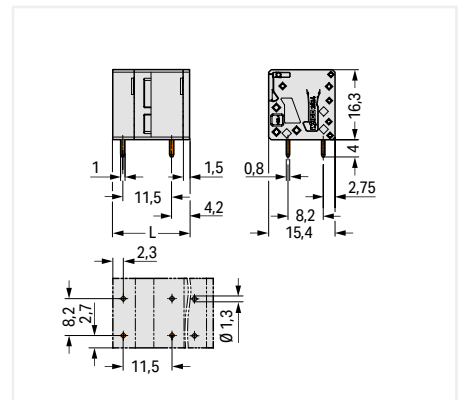
Pole No.	Item No.	PU
2	2624-3502	100
3	2624-3503	80
4	2624-3504	50
5	2624-3505	40
6	2624-3506	40
7	2624-3507	30
8	2624-3508	25
9	2624-3509	25
10	2624-3510	20
11	2624-3511	20
12	2624-3512	20



L = (pole no. - 1) x pin spacing + 6.5 mm



L = (pole no. - 1) x pin spacing + 6.5 mm



L = (pole no. - 1) x pin spacing + 6.5 mm

PU = Packaging Unit; SPU = Subpackaging Unit; Dimensions in mm

Other versions (or variants) can be requested from WAGO Sales or configured at <https://configurator.wago.com/>.

- Other pole numbers
- Direct marking
- Other colors

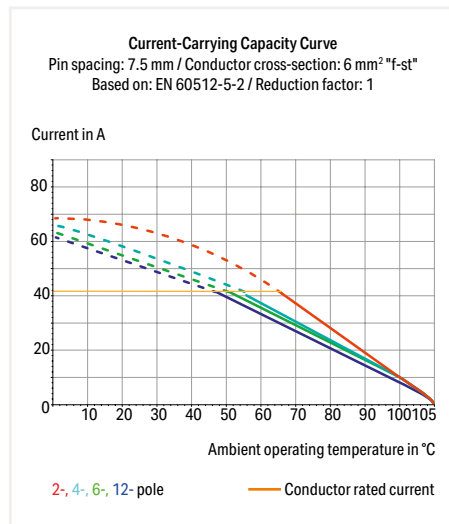
PCB terminal block ▶ 2626 Series

Push-in CAGE CLAMP® ▶ Actuation type: Operating tool ▶ 10 mm² ▶ Modular terminal block ▶ Pin spacing: 7.5 mm / 0.295 inch ▶ Color: gray

1



- PCB terminal blocks with Push-in CAGE CLAMP® connection
- Push-in termination of solid and ferruled conductors
- Ideal for panel feedthrough applications via operation parallel to conductor entry
- Testing can be performed both parallel and perpendicular to conductor entry



Electrical Data

Pin spacing	7.5 mm / 0.295 inch		
Ratings per	IEC/EN 60664-1		
Overvoltage category	III	III	II
Pollution degree	3	2	2
Rated voltage	-	1000 V	1000 V
Rated impulse voltage	8 kV	8 kV	8 kV
Rated current	48 A	48 A	48 A
Approbations per	UL 1059		
Use group	B	C	D
Rated voltage	600 V	600 V	-
Rated current	38 A	38 A	-
Approbations per	CSA		
Use group	B	C	D
Rated voltage	600 V	1000 V	-
Rated current	38 A	38 A	-

Connection Data

Connection technology	Push-in CAGE CLAMP®
Strip length	13 ... 15 mm / 0.51 ... 0.59 inch
Solid conductor	0.2 ... 10 mm ² / 24 ... 8 AWG
Fine-stranded conductor	0.2 ... 10 mm ² / 24 ... 8 AWG
Fine-stranded conductor; with insulated ferrule	0.25 ... 6 mm ²
Fine-stranded conductor; with uninsulated ferrule	0.25 ... 6 mm ²
Fine-stranded conductor; with twin ferrule	0.25 ... 2.5 mm ²

Material Data

Material group	I
Insulation material	Polyamide (PA66)
Flammability class per UL94	V0
Clamping spring material	Chrome nickel spring steel (CrNi)
Contact material	Electrolytic copper (E _{cu})
Contact plating	Tin-plated

Mechanical Data

Solder pin arrangement	Within the terminal block (in-line)
Solder pin length	4 mm
Solder pin dimensions	1.5 x 1 mm
Drilled hole diameter with tolerance	2 ^{+0.1} mm

Environmental Requirements

Limit temperature range	-60 ... +105 °C
-------------------------	-----------------

Ferrule Page 879

Tool Page 870

See technical section for further information

For approvals and corresponding ratings, visit www.wago.com

PCB terminal block ▶ 2626 Series

Push-in CAGE CLAMP® ▶ Actuation type: Operating tool ▶ 10 mm² ▶ Modular terminal block ▶ Pin spacing: 7.5 mm / 0.295 inch ▶ Color: gray

Conductor connection direction to PCB: 0°

Conductor connection direction to PCB: 90°



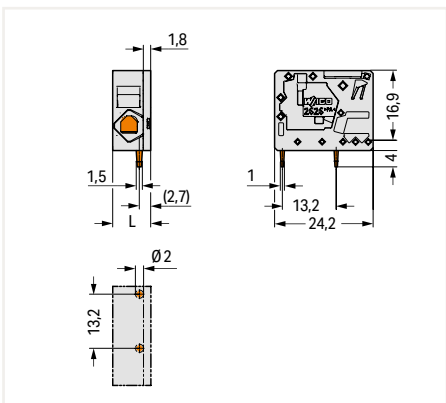
2626-1101



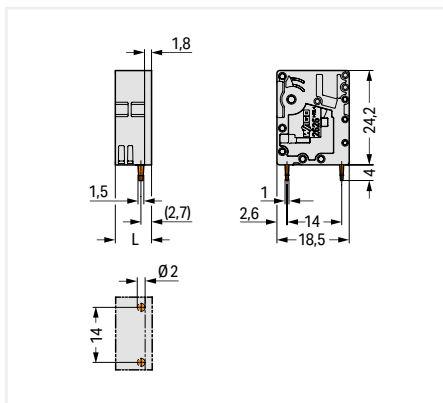
2626-3101

Color	Item No.	PU
● gray	2626-1101	200

Color	Item No.	PU
● gray	2626-3101	200



L = 9.3 mm



L = 9.3 mm

PU = Packaging Unit; SPU = Subpackaging Unit; Dimensions in mm

Other versions (or variants) can be requested from WAGO Sales or configured at <https://configurator.wago.com/>.

- Other pole numbers
- Direct marking
- Other colors

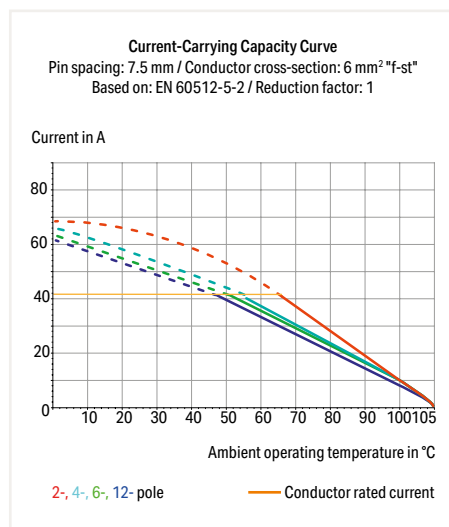
PCB terminal block ▶ 2626 Series

Push-in CAGE CLAMP® ▶ Actuation type: Operating tool ▶ 10 mm² ▶ Terminal strip ▶ Color: gray

1



- PCB terminal strips with Push-in CAGE CLAMP® connection
- Push-in termination of solid and ferruled conductors
- Ideal for panel feedthrough applications via operation parallel to conductor entry
- Testing can be performed both parallel and perpendicular to conductor entry



Electrical Data

Pin spacing	7.5 mm / 0.295 inch			12.5 mm / 0.492 inch		
Ratings per	IEC/EN 60664-1					
Overvoltage category	III	III	II	III	III	II
Pollution degree	3	2	2	3	2	2
Rated voltage	800 V	1000 V	1000 V	1000 V	1000 V	1000 V
Rated impulse voltage	8 kV	8 kV	8 kV	8 kV	8 kV	8 kV
Rated current	48 A	48 A	48 A	48 A	48 A	48 A
Approbations per	UL 1059			UL 1059		
Use group	B	C	D	B	C	D
Rated voltage	600 V	600 V	-	600 V	600 V	-
Rated current	38 A	38 A	-	38 A	38 A	-
Approbations per	CSA			CSA		
Use group	B	C	D	B	C	D
Rated voltage	600 V	600 V	-	600 V	600 V	-
Rated current	38 A	38 A	-	38 A	38 A	-

Connection Data

Connection technology	Push-in CAGE CLAMP®
Strip length	13 ... 15 mm / 0.51 ... 0.59 inch
Solid conductor	0.2 ... 10 mm ² / 24 ... 8 AWG
Fine-stranded conductor	0.2 ... 10 mm ² / 24 ... 8 AWG
Fine-stranded conductor; with insulated ferrule	0.25 ... 6 mm ²
Fine-stranded conductor; with uninsulated ferrule	0.25 ... 6 mm ²
Fine-stranded conductor; with twin ferrule	0.25 ... 2.5 mm ²

Material Data

Material group	I
Insulation material	Polyamide (PA66)
Flammability class per UL94	V0
Clamping spring material	Chrome nickel spring steel (CrNi)
Contact material	Electrolytic copper (E _{cu})
Contact plating	Tin-plated

Mechanical Data

Solder pin length	4 mm
Solder pin dimensions	1.5 x 1 mm
Drilled hole diameter with tolerance	2 ^(+0.1) mm

Environmental Requirements

Limit temperature range	-60 ... +105 °C
-------------------------	-----------------

Ferrule Page 879

Tool Page 870

See technical section for further information

For approvals and corresponding ratings, visit www.wago.com

PCB terminal block ▶ 2626 Series

Push-in CAGE CLAMP® ▶ Actuation type: Operating tool ▶ 10 mm² ▶ Terminal strip ▶ Color: gray

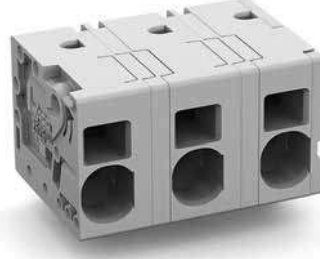
Conductor connection direction to PCB: 0° ▶ Pin spacing: 7.5 mm / 0.295 inch

Conductor connection direction to PCB: 0° ▶ Pin spacing: 12.5 mm / 0.492 inch

Conductor connection direction to PCB: 90° ▶ Pin spacing: 7.5 mm / 0.295 inch



2626-1103/020-000



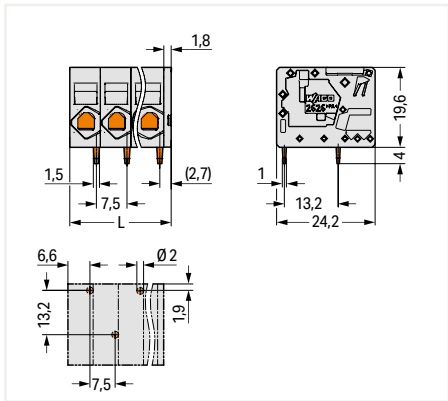
2626-1353



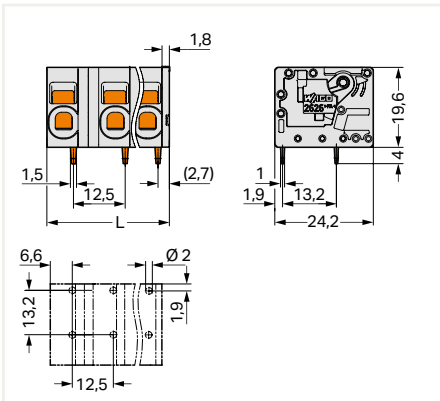
Pole No.	Item No.	PU
2	2626-1102/020-000	140
3	2626-1103/020-000	90
4	2626-1104/020-000	70
5	2626-1105/020-000	60
6	2626-1106/020-000	50
7	2626-1107/020-000	40
8	2626-1108/020-000	40
9	2626-1109/020-000	35
10	2626-1110/020-000	30
11	2626-1111/020-000	25
12	2626-1112/020-000	25

Pole No.	Item No.	PU
2	2626-1352	100
3	2626-1353	50
4	2626-1354	50
5	2626-1355	48
6	2626-1356	34
7	2626-1357	28
8	2626-1358	26
9	2626-1359	22
10	2626-1360	22
11	2626-1361	20
12	2626-1362	12

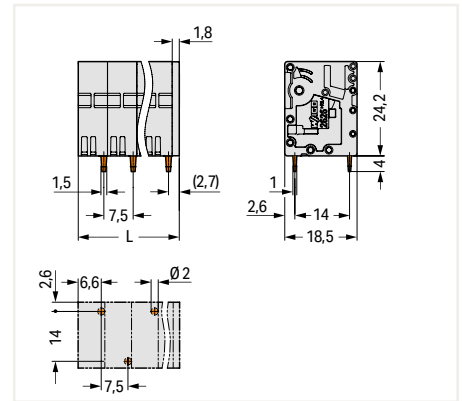
Pole No.	Item No.	PU
2	2626-3102/020-000	140
3	2626-3103/020-000	90
4	2626-3104/020-000	70
5	2626-3105/020-000	60
6	2626-3106/020-000	50
7	2626-3107/020-000	40
8	2626-3108/020-000	40
9	2626-3109/020-000	35
10	2626-3110/020-000	30
11	2626-3111/020-000	25
12	2626-3112/020-000	25



$L = (\text{pole no.} - 1) \times \text{pin spacing} + 9.3 \text{ mm}$



$L = (\text{pole no.} - 1) \times \text{pin spacing} + 9.3 \text{ mm}$



$L = (\text{pole no.} - 1) \times \text{pin spacing} + 9.3 \text{ mm}$

PU = Packaging Unit; SPU = Subpackaging Unit; Dimensions in mm

Other versions (or variants) can be requested from WAGO Sales or configured at <https://configurator.wago.com/>.

- Other pole numbers
- Direct marking
- Other colors

PCB terminal block ▶ 2626 Series

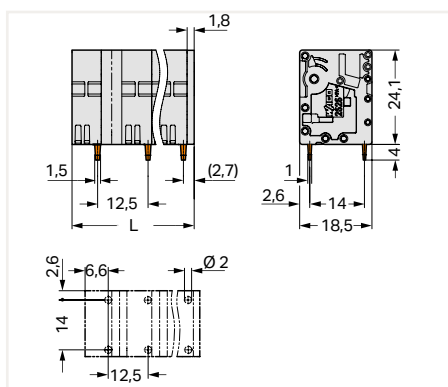
Push-in CAGE CLAMP® ▶ Actuation type: Operating tool ▶ 10 mm² ▶ Terminal strip ▶ Color: gray

Conductor connection direction to PCB: 90° ▶ Pin spacing: 12.5 mm / 0.492 inch



2626-3353

Pole No.	Item No.	PU
2	2626-3352	100
3	2626-3353	60
4	2626-3354	50
5	2626-3355	45
6	2626-3356	40
7	2626-3357	40
8	2626-3358	32
9	2626-3359	28
10	2626-3360	28
11	2626-3361	24
12	2626-3362	12



$L = (\text{pole no.} - 1) \times \text{pin spacing} + 9.3 \text{ mm}$

PU = Packaging Unit; SPU = Subpackaging Unit

Other versions (or variants) can be requested from WAGO Sales or configured at <https://configurator.wago.com/>.

- Other pole numbers
- Direct marking
- Other colors

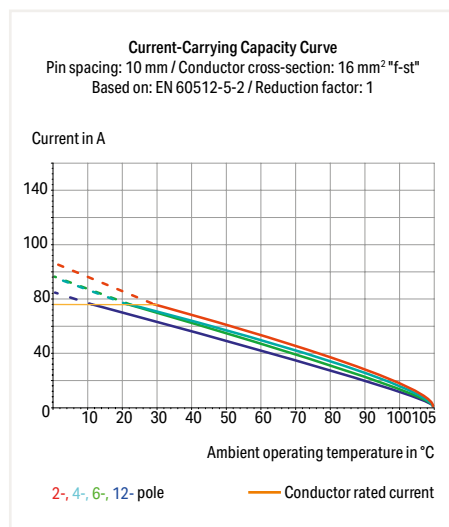
PCB terminal block ▶ 2636 Series

Push-in CAGE CLAMP® ▶ Actuation type: Operating tool ▶ 16 mm² ▶ Modular terminal block ▶ Pin spacing: 10 mm / 0.394 inch ▶ Color: gray

1



- PCB terminal blocks with Push-in CAGE CLAMP® connection
- Push-in termination of solid and ferruled conductors
- Ideal for panel feedthrough applications via operation parallel to conductor entry
- Testing can be performed both parallel and perpendicular to conductor entry



Electrical Data

Conductor connection direction to PCB	0°			90°		
	10 mm / 0.394 inch			10 mm / 0.394 inch		
Pin spacing	IEC/EN 60664-1			IEC/EN 60664-1		
Ratings per	IEC/EN 60664-1			IEC/EN 60664-1		
Overvoltage category	III	III	II	III	III	II
Pollution degree	3	2	2	3	2	2
Rated voltage	1000 V	1000 V	1000 V	1000 V	1000 V	1000 V
Rated impulse voltage	8 kV	8 kV	8 kV	8 kV	8 kV	8 kV
Rated current	76 A	76 A	76 A	76 A	76 A	76 A
Approbations per	UL 1059			UL 1059		
Use group	B	C	D	B	C	D
Rated voltage	600 V	600 V	-	600 V	600 V	-
Rated current	-	-	-	-	-	-
Approbations per	CSA			CSA		
Use group	B	C	D	B	C	D
Rated voltage	600 V	1000 V	-	600 V	1000 V	0 V
Rated current	66 A	66 A	-	66 A	66 A	0 A

Connection Data

Connection technology	Push-in CAGE CLAMP®
Strip length	18 ... 20 mm / 0.71 ... 0.79 inch
Solid conductor	0.75 ... 16 mm ² / 18 ... 4 AWG
Fine-stranded conductor	0.75 ... 25 mm ² / 18 ... 4 AWG
Fine-stranded conductor; with insulated ferrule	0.75 ... 16 mm ²
Fine-stranded conductor; with uninsulated ferrule	0.75 ... 16 mm ²
Fine-stranded conductor; with twin ferrule	0.75 ... 6 mm ²

Material Data

Material group	I
Insulation material	Polyamide (PA66)
Flammability class per UL94	V0
Clamping spring material	Chrome nickel spring steel (CrNi)
Contact material	Electrolytic copper (E _{cu})
Contact plating	Tin-plated

Mechanical Data

Solder pin arrangement	Within the terminal block (in-line)
Solder pin length	4 mm
Solder pin dimensions	1.2 x 1 mm
Drilled hole diameter with tolerance	1.7 ^(+0.1) mm

Environmental Requirements

Limit temperature range	-60 ... +105 °C
-------------------------	-----------------

Ferrule Page 879

Tool Page 870

See technical section for further information

For approvals and corresponding ratings, visit www.wago.com

PCB terminal block ▶ 2636 Series

Push-in CAGE CLAMP® ▶ Actuation type: Operating tool ▶ 16 mm² ▶ Modular terminal block ▶ Pin spacing: 10 mm / 0.394 inch ▶ Color: gray

Conductor connection direction to PCB: 0°

Conductor connection direction to PCB: 90°



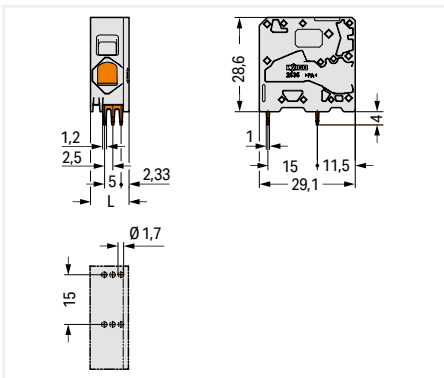
2636-1101



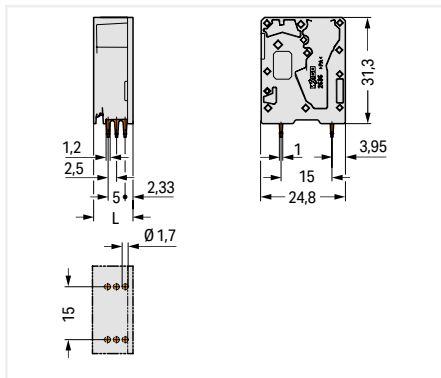
2636-3101

Color	Item No.	PU
● gray	2636-1101	100

Color	Item No.	PU
● gray	2636-3101	100



L = 11.6 mm



L = 11.6 mm

PU = Packaging Unit; SPU = Subpackaging Unit; Dimensions in mm

Other versions (or variants) can be requested from WAGO Sales or configured at <https://configurator.wago.com/>.

- Other pole numbers
- Direct marking
- Other colors

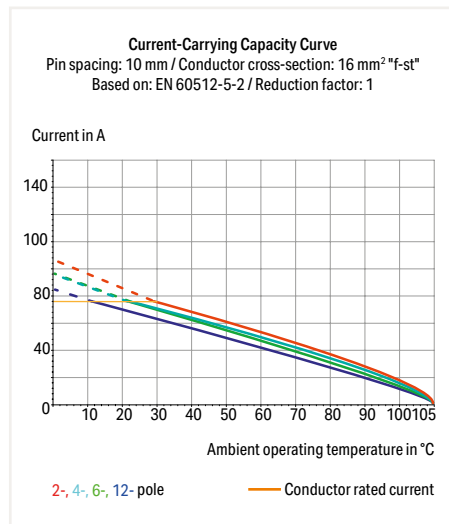
PCB terminal block ▶ 2636 Series

Push-in CAGE CLAMP® ▶ Actuation type: Operating tool ▶ 16 mm² ▶ Terminal strip ▶ Color: gray

1



- PCB terminal strips with Push-in CAGE CLAMP® connection
- Push-in termination of solid and ferruled conductors
- Ideal for panel feedthrough applications via operation parallel to conductor entry
- Testing can be performed both parallel and perpendicular to conductor entry



Electrical Data						
Pin spacing	10 mm / 0.394 inch			15 mm / 0.591 inch		
Ratings per	IEC/EN 60664-1					
Overvoltage category	III	III	II	III	III	II
Pollution degree	3	2	2	3	2	2
Rated voltage	1000 V	1000 V	1000 V	1000 V	1000 V	1000 V
Rated impulse voltage	8 kV	8 kV	8 kV	8 kV	8 kV	8 kV
Rated current	76 A	76 A	76 A	76 A	76 A	76 A
Approbations per	UL 1059			UL 1059		
Use group	B	C	D	B	C	D
Rated voltage	600 V	600 V	-	300 V	300 V	600 V
Rated current	66 A	66 A	-	85 A	85 A	5 A
Approbations per	CSA			CSA		
Use group	B	C	D	B	C	D
Rated voltage	600 V	600 V	-	300 V	300 V	600 V
Rated current	66 A	66 A	-	66 A	66 A	66 A

Connection Data	
Connection technology	Push-in CAGE CLAMP®
Strip length	18 ... 20 mm / 0.71 ... 0.79 inch
Solid conductor	0.75 ... 16 mm ² / 18 ... 4 AWG
Fine-stranded conductor	0.75 ... 25 mm ² / 18 ... 4 AWG
Fine-stranded conductor; with insulated ferrule	0.75 ... 16 mm ²
Fine-stranded conductor; with uninsulated ferrule	0.75 ... 16 mm ²
Fine-stranded conductor; with twin ferrule	0.75 ... 6 mm ²

Material Data	
Material group	I
Insulation material	Polyamide (PA66)
Flammability class per UL94	V0
Clamping spring material	Chrome nickel spring steel (CrNi)
Contact material	Electrolytic copper (E _{cu})
Contact plating	Tin-plated

Mechanical Data	
Solder pin length	4 mm
Solder pin dimensions	1.2 x 1 mm
Drilled hole diameter with tolerance	1.7 ^(+0.1) mm

Environmental Requirements	
Limit temperature range	-60 ... +105 °C

Ferrule Page 879

Tool Page 870

See technical section for further information

For approvals and corresponding ratings, visit www.wago.com

PCB terminal block ▶ 2636 Series

Push-in CAGE CLAMP® ▶ Actuation type: Operating tool ▶ 16 mm² ▶ Terminal strip ▶ Color: gray

Conductor connection direction to PCB: 0° ▶ Pin spacing: 10 mm / 0.394 inch

Conductor connection direction to PCB: 0° ▶ Pin spacing: 15 mm / 0.591 inch

Conductor connection direction to PCB: 90° ▶ Pin spacing: 10 mm / 0.394 inch



2636-1103/020-000



2636-1353

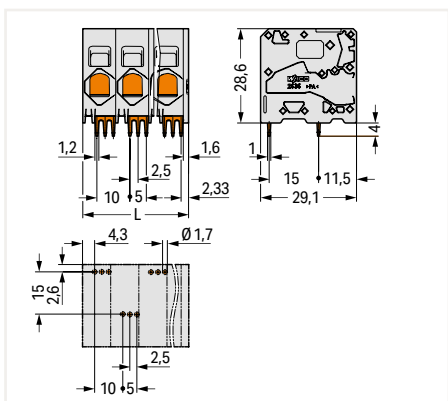


2636-3103/020-000

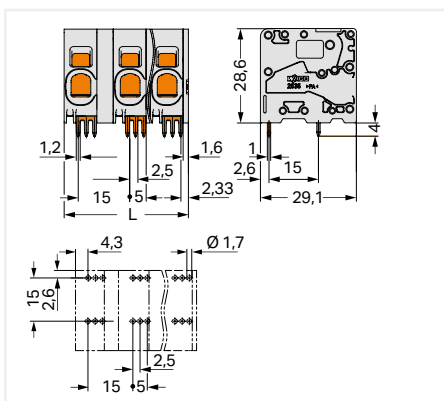
Pole No.	Item No.	PU
2	2636-1102/020-000	50
3	2636-1103/020-000	50
4	2636-1104/020-000	25
5	2636-1105/020-000	25
6	2636-1106/020-000	25
7	2636-1107/020-000	20
8	2636-1108/020-000	20
9	2636-1109/020-000	20
10	2636-1110/020-000	15
11	2636-1111/020-000	15
12	2636-1112/020-000	15

Pole No.	Item No.	PU
2	2636-1352	60
3	2636-1353	36
4	2636-1354	32
5	2636-1355	28
6	2636-1356	24
7	2636-1357	20
8	2636-1358	18

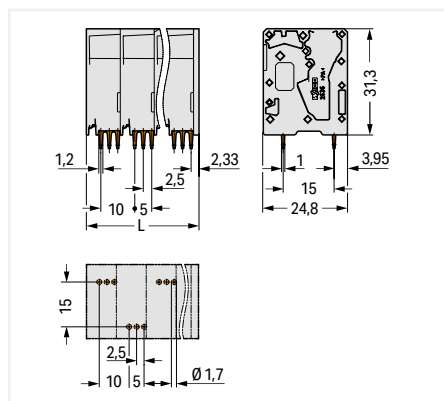
Pole No.	Item No.	PU
2	2636-3102/020-000	50
3	2636-3103/020-000	50
4	2636-3104/020-000	25
5	2636-3105/020-000	25
7	2636-3107/020-000	20
8	2636-3108/020-000	20
9	2636-3109/020-000	20
10	2636-3110/020-000	15
11	2636-3111/020-000	15
12	2636-3112/020-000	15



L = (pole no. - 1) x pin spacing + 11.6 mm



L = (pole no. - 1) x pin spacing + 11.6 mm



L = (pole no. - 1) x pin spacing + 11.6 mm

PU = Packaging Unit; SPU = Subpackaging Unit; Dimensions in mm

Other versions (or variants) can be requested from WAGO Sales or configured at <https://configurator.wago.com/>.

- Other pole numbers
- Direct marking
- Other colors

PCB terminal block ▶ 2636 Series

Push-in CAGE CLAMP® ▶ Actuation type: Operating tool ▶ 16 mm² ▶ Terminal strip ▶ Color: gray

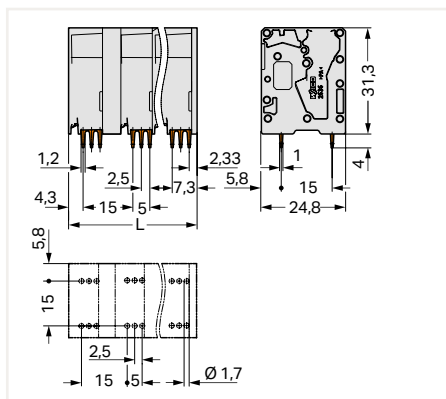
Conductor connection direction to PCB: 90° ▶ Pin spacing: 15 mm / 0.591 inch

1



2636-3353

Pole No.	Item No.	PU
2	2636-3352	50
3	2636-3353	34
4	2636-3354	32
5	2636-3355	22
6	2636-3356	18
7	2636-3357	18
8	2636-3358	16



$L = (\text{pole no.} - 1) \times \text{pin spacing} + 11.6 \text{ mm}$

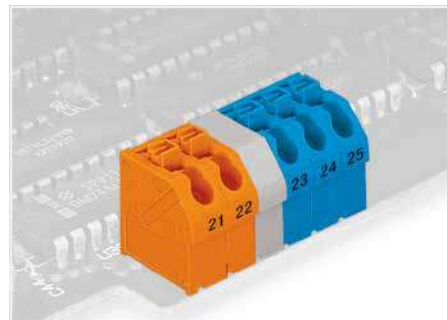
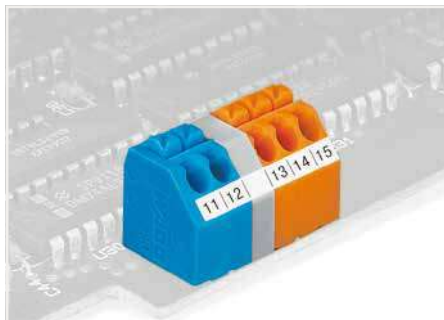
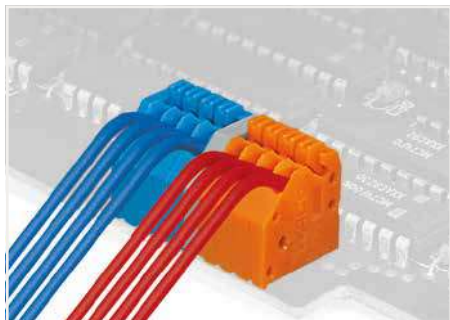
PU = Packaging Unit; SPU = Subpackaging Unit

Other versions (or variants) can be requested from WAGO Sales or configured at <https://configurator.wago.com/>.

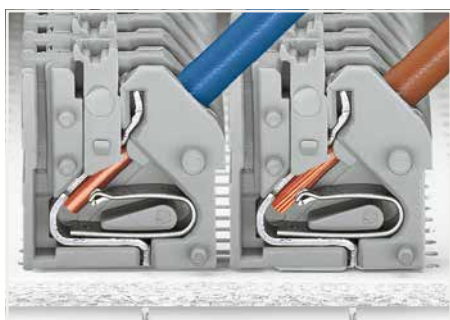
- Other pole numbers
- Direct marking
- Other colors

250 Series Description and Installation

1



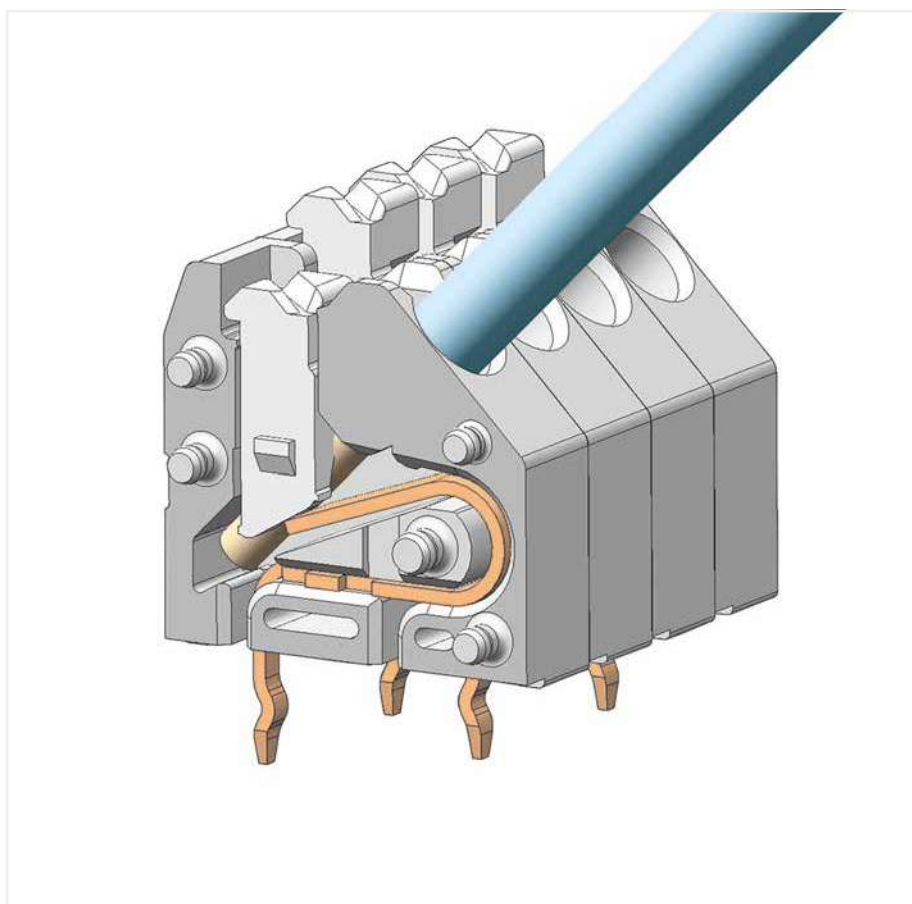
Labeling via self-adhesive strips or direct marking. Mixed-color terminal strips (with or without spacer) are available upon request.



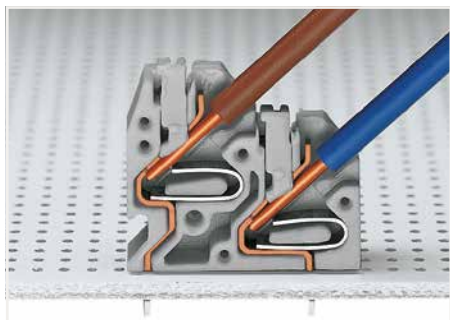
Space-saving wiring, 250 Series – 5 mm pin spacing.



Inserting solid conductors via push-in termination.
Inserting fine-stranded conductors via push-buttons,
250 Series – 3.5 mm pin spacing.



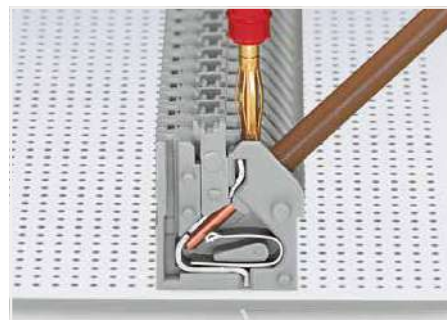
250 Series



Space-saving wiring – push-in termination of solid conductors.



Testing with 11 mm Ø test pin, on the conductor,
250 Series – 2.5 ... 3.5 mm pin spacing.



Testing with 2 mm Ø test plug, touch contact,
250 Series – 5 mm pin spacing.

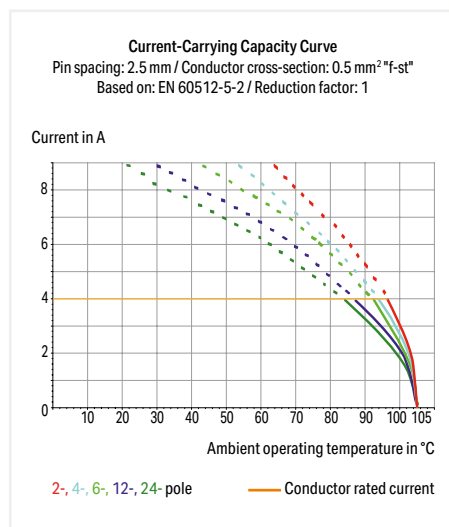
PCB terminal block ▶ 250 Series

Push-in CAGE CLAMP® ▶ Actuation type: Push-button ▶ 0.5 mm² ▶ Solder pin arrangement: Over the entire terminal strip (in-line) ▶ Pin spacing: 2.5 mm / 0.098 inch ▶ Color: gray

1



- Compact PCB terminal strips with push-buttons
- Push-in termination of solid conductors
- Termination/removal of fine-stranded conductors via push-buttons
- 45° conductor entry angle provides easy, space-saving wiring
- Custom color combinations
- Terminal strips also available with spacers upon request



Electrical Data

Pin spacing	2.5 mm / 0.098 inch		
Ratings per	IEC/EN 60664-1		
Overvoltage category	III	III	II
Pollution degree	3	2	2
Rated voltage	100 V	160 V	320 V
Rated impulse voltage	2.5 kV	2.5 kV	2.5 kV
Rated current	4 A	4 A	4 A
Approbations per	UL 1059		
Use group	B	C	D
Rated voltage	300 V	-	300 V
Rated current	5 A	-	5 A
Approbations per	CSA		
Use group	B	C	D
Rated voltage	300 V	-	300 V
Rated current	2 A	-	2 A

Connection Data

Connection technology	Push-in CAGE CLAMP®
Strip length	8.5 ... 9.5 mm / 0.33 ... 0.37 inch
Conductor connection direction to PCB	45°
Solid conductor	0.14 ... 0.5 mm ² / 24 ... 20 AWG
Fine-stranded conductor	0.2 ... 0.5 mm ² / 24 ... 20 AWG
Conductor diameter	0.4 ... 0.8 mm

Material Data

Material group	I
Insulation material	Polyamide (PA66)
Flammability class per UL94	V0
Clamping spring material	Copper alloy
Contact material	Electrolytic copper (E _{cu})
Contact plating	Tin-plated

Mechanical Data

Solder pin arrangement	Over the entire terminal strip (in-line)
Solder pin length	3.6 mm
Solder pin dimensions	0.4 x 0.75 mm
Drilled hole diameter with tolerance	1 ^(+0.1) mm

Environmental Requirements

Limit temperature range	-60 ... +105 °C
-------------------------	-----------------

Marking Page 864

Test and measurement Page 886

Tool Page 870

See technical section for further information

For approvals and corresponding ratings, visit www.wago.com

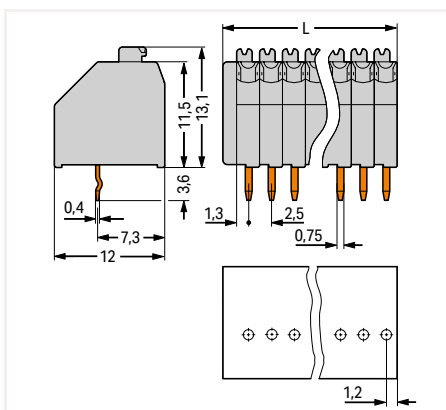
PCB terminal block ▶ 250 Series

Push-in CAGE CLAMP® ▶ Actuation type: Push-button ▶ 0.5 mm² ▶ Solder pin arrangement: Over the entire terminal strip (in-line) ▶ Pin spacing: 2.5 mm / 0.098 inch ▶ Color: gray



250-312

Pole No.	Item No.	PU (SPU)
2	250-302	720 (180)
3	250-303	520 (130)
4	250-304	400 (100)
5	250-305	340 (85)
6	250-306	280 (70)
7	250-307	240 (60)
8	250-308	220 (55)
9	250-309	200 (50)
10	250-310	180 (45)
11	250-311	160 (40)
12	250-312	140 (35)
13	250-313	140 (35)
14	250-314	120 (30)
15	250-315	120 (30)
16	250-316	100 (25)
17	250-317	100 (25)
18	250-318	80 (20)
19	250-319	80 (20)
20	250-320	80 (20)
21	250-321	80 (20)
22	250-322	80 (20)
23	250-323	80 (20)
24	250-324	60 (15)



$L = (\text{pole no.} \times \text{pin spacing}) + 1.5 \text{ mm}$

PU = Packaging Unit; SPU = Subpackaging Unit; Dimensions in mm

Other versions (or variants) can be requested from WAGO Sales or configured at <https://configurator.wago.com/>.

- Other pole numbers
- Other colors
- Mixed-color PCB connector strips
- Terminal strips with spacers
- Direct marking

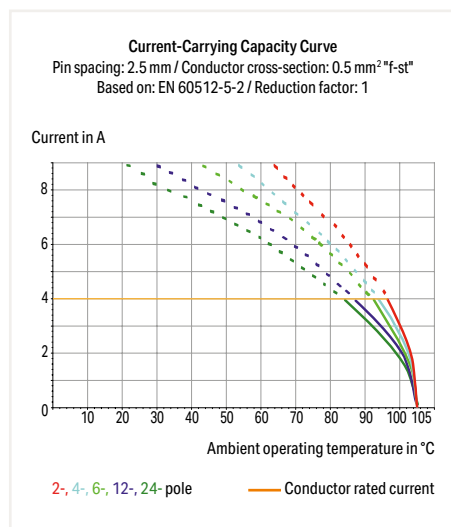
PCB terminal block ▶ 250 Series

Push-in CAGE CLAMP® ▶ Actuation type: Push-button ▶ 0.5 mm² ▶ Solder pin arrangement: Over the entire terminal strip (staggered) ▶ Color: gray

1



- Compact PCB terminal strips with push-buttons
- Push-in termination of solid conductors
- Termination/removal of fine-stranded conductors via push-buttons
- 45° conductor entry angle provides easy, space-saving wiring
- Custom color combinations
- Terminal strips also available with spacers upon request



Electrical Data

Pin spacing	2.54 mm / 0.1 inch; 2.5 mm / 0.098 inch		
Ratings per	IEC/EN 60664-1		
Overvoltage category	III	III	II
Pollution degree	3	2	2
Rated voltage	160 V	160 V	320 V
Rated impulse voltage	2.5 kV	2.5 kV	2.5 kV
Rated current	4 A	4 A	4 A
Approbations per	UL 1059		
Use group	B	C	D
Rated voltage	300 V	-	300 V
Rated current	5 A	-	5 A
Approbations per	CSA		
Use group	B	C	D
Rated voltage	300 V	-	300 V
Rated current	5 A	-	5 A

Connection Data

Connection technology	Push-in CAGE CLAMP®
Strip length	8.5 ... 9.5 mm / 0.33 ... 0.37 inch
Conductor connection direction to PCB	45°
Solid conductor	0.14 ... 0.5 mm ² / 24 ... 20 AWG
Fine-stranded conductor	0.2 ... 0.5 mm ² / 24 ... 20 AWG
Conductor diameter	0.4 ... 0.8 mm

Material Data

Material group	I
Insulation material	Polyamide (PA66)
Flammability class per UL94	V0
Clamping spring material	Copper alloy
Contact material	Electrolytic copper (E _{cu})
Contact plating	Tin-plated

Mechanical Data

Solder pin arrangement	Over the entire terminal strip (staggered)
Solder pin length	3.6 mm
Solder pin dimensions	0.4 x 0.75 mm
Drilled hole diameter with tolerance	1 ^(+0.1) mm

Environmental Requirements

Limit temperature range	-60 ... +105 °C
-------------------------	-----------------

Marking Page 864

Test and measurement Page 886

Tool Page 870

See technical section for further information

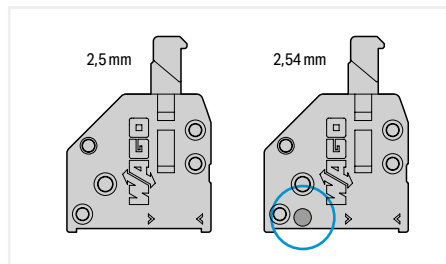
For approvals and corresponding ratings, visit www.wago.com

PCB terminal block ▶ 250 Series

Push-in CAGE CLAMP® ▶ Actuation type: Push-button ▶ 0.5 mm² ▶ Solder pin arrangement: Over the entire terminal strip (staggered) ▶ Color: gray

Pin spacing: 2.5 mm / 0.098 inch

Pin spacing: 2.54 mm / 0.1 inch



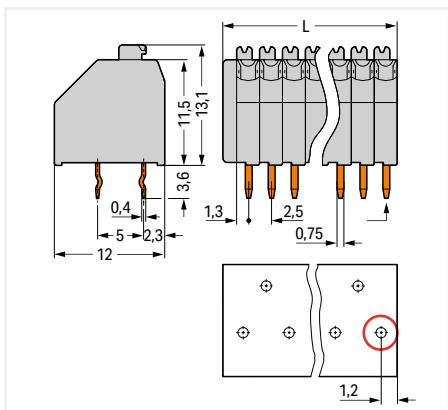
A groove at the back of the terminal strip differentiates between the two pin spacings.

250-412

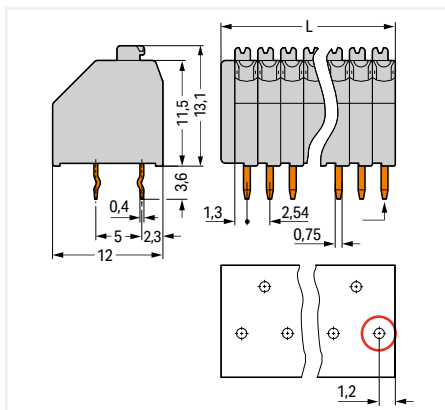
250-1412

Pole No.	Item No.	PU (SPU)
2	250-402	720 (180)
3	250-403	520 (130)
4	250-404	400 (100)
5	250-405	340 (85)
6	250-406	280 (70)
7	250-407	240 (60)
8	250-408	220 (55)
9	250-409	200 (50)
10	250-410	180 (45)
11	250-411	160 (40)
12	250-412	140 (35)
13	250-413	140 (35)
14	250-414	120 (30)
15	250-415	120 (30)
16	250-416	100 (25)
17	250-417	100 (25)
18	250-418	80 (20)
19	250-419	80 (20)
20	250-420	80 (20)
21	250-421	80 (20)
22	250-422	80 (20)
23	250-423	60 (15)
24	250-424	60 (15)

Pole No.	Item No.	PU (SPU)
2	250-1402	720 (180)
3	250-1403	520 (130)
4	250-1404	400 (100)
5	250-1405	340 (85)
6	250-1406	280 (70)
7	250-1407	240 (60)
8	250-1408	200 (50)
9	250-1409	180 (45)
10	250-1410	160 (40)
11	250-1411	160 (40)
12	250-1412	140 (35)
13	250-1413	120 (30)
14	250-1414	120 (30)
15	250-1415	120 (30)
16	250-1416	100 (25)
17	250-1417	100 (25)
18	250-1418	100 (25)
19	250-1419	80 (20)
20	250-1420	80 (20)
21	250-1421	80 (20)
22	250-1422	80 (20)
23	250-1423	80 (20)
24	250-1424	60 (15)



L = (pole no. x pin spacing) + 1.5 mm
First solder pin, front right (red circle)



L = (pole no. x pin spacing) + 1.5 mm
First solder pin, front right (red circle)

PU = Packaging Unit; SPU = Subpackaging Unit; Dimensions in mm

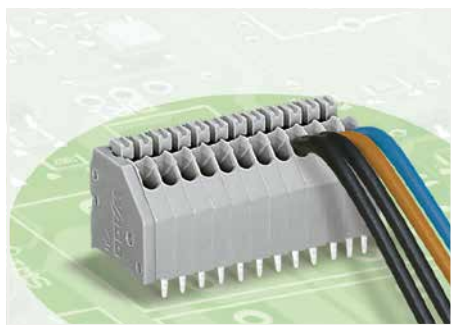
Other versions (or variants) can be requested from WAGO Sales or configured at <https://configurator.wago.com/>.

- Other pole numbers
- Other colors
- Mixed-color PCB connector strips
- Terminal strips with spacers
- Direct marking

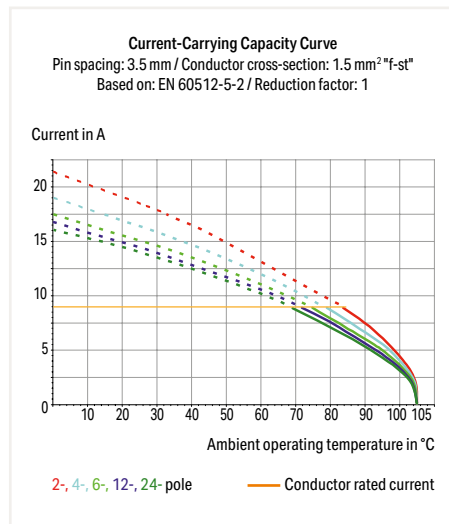
PCB terminal block ▶ 250 Series

Push-in CAGE CLAMP® ▶ Actuation type: Push-button ▶ 1.5 mm² ▶ Solder pin arrangement: Over the entire terminal strip (in-line) ▶ Pin spacing: 3.5 mm / 0.138 inch ▶ Color: gray

1



- Compact terminal strips with push-buttons
- Push-in terminations of solid and ferruled conductors
- Termination/removal of fine-stranded conductors via push-buttons
- 45° conductor entry angle provides easy, space-saving wiring
- Custom color combinations
- Terminal strips also available with spacers upon request



Electrical Data

Pin spacing	3.5 mm / 0.138 inch		
Ratings per	IEC/EN 60664-1		
Overvoltage category	III	III	II
Pollution degree	3	2	2
Rated voltage	160 V	160 V	320 V
Rated impulse voltage	2.5 kV	2.5 kV	2.5 kV
Rated current	8 A	8 A	8 A
Approbations per	UL 1059		
Use group	B	C	D
Rated voltage	300 V	-	300 V
Rated current	5 A	-	5 A
Approbations per	CSA		
Use group	B	C	D
Rated voltage	300 V	-	300 V
Rated current	10 A	-	10 A

Connection Data

Connection technology	Push-in CAGE CLAMP®
Strip length	8.5 ... 9.5 mm / 0.33 ... 0.37 inch
Conductor connection direction to PCB	45°
Solid conductor	0.2 ... 1.5 mm ² / 24 ... 16 AWG
Fine-stranded conductor	0.2 ... 1.5 mm ² / 24 ... 16 AWG
Fine-stranded conductor; with insulated ferrule	0.25 ... 1 mm ²
Fine-stranded conductor; with uninsulated ferrule	0.25 ... 1 mm ²

Material Data

Material group	I
Insulation material	Polyamide (PA66)
Flammability class per UL94	V0
Clamping spring material	Chrome nickel spring steel (CrNi)
Contact material	Electrolytic copper (E _{Cu})
Contact plating	Tin-plated

Mechanical Data

Solder pin arrangement	Over the entire terminal strip (in-line)
Solder pin length	3.6 mm
Solder pin dimensions	0.4 x 0.75 mm
Drilled hole diameter with tolerance	1 ^(+0.1) mm

Environmental Requirements

Limit temperature range	-60 ... +105 °C
-------------------------	-----------------

Ferrule Page 879

Marking Page 864

Test and measurement Page 886

Tool Page 870

See technical section for further information

For approvals and corresponding ratings, visit www.wago.com

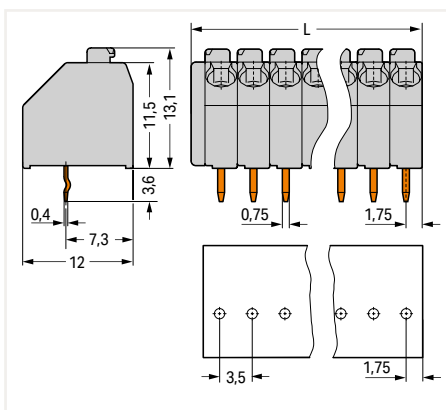
PCB terminal block ▶ 250 Series

Push-in CAGE CLAMP® ▶ Actuation type: Push-button ▶ 1.5 mm² ▶ Solder pin arrangement: Over the entire terminal strip (in-line) ▶ Pin spacing: 3.5 mm / 0.138 inch ▶ Color: gray



250-112

Pole No.	Item No.	PU (SPU)
2	250-102	560 (140)
3	250-103	400 (100)
4	250-104	300 (75)
5	250-105	240 (60)
6	250-106	200 (50)
7	250-107	180 (45)
8	250-108	160 (40)
9	250-109	140 (35)
10	250-110	120 (30)
11	250-111	120 (30)
12	250-112	100 (25)
13	250-113	100 (25)
14	250-114	80 (20)
15	250-115	80 (20)
16	250-116	80 (20)
17	250-117	60 (15)
18	250-118	60 (15)
19	250-119	60 (15)
20	250-120	60 (15)
21	250-121	60 (15)
22	250-122	60 (15)
23	250-123	40 (10)
24	250-124	40 (10)



$L = (\text{pole no.} \times \text{pin spacing}) + 1.5 \text{ mm}$

PU = Packaging Unit; SPU = Subpackaging Unit; Dimensions in mm

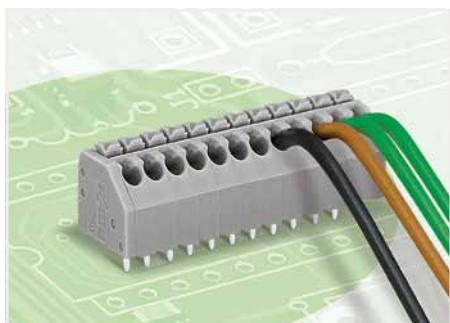
Other versions (or variants) can be requested from WAGO Sales or configured at <https://configurator.wago.com/>.

- Other pole numbers
- Other colors
- Mixed-color PCB connector strips
- Terminal strips with spacers
- Direct marking

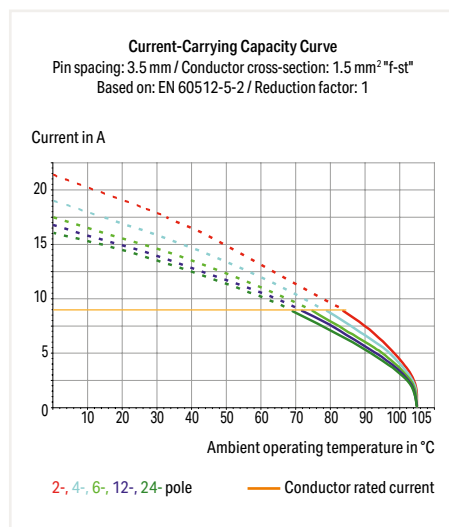
PCB terminal block ▶ 250 Series

Push-in CAGE CLAMP® ▶ Actuation type: Push-button ▶ 1.5 mm² ▶ Solder pin arrangement: Over the entire terminal strip (staggered) ▶ Pin spacing: 3.5 mm / 0.138 inch ▶ Color: gray

1



- Compact terminal strips with push-buttons
- Push-in terminations of solid and ferruled conductors
- Termination/removal of fine-stranded conductors via push-buttons
- 45° conductor entry angle provides easy, space-saving wiring
- Custom color combinations
- Terminal strips also available with spacers upon request



Electrical Data			
Pin spacing	3.5 mm / 0.138 inch		
Ratings per	IEC/EN 60664-1		
Overvoltage category	III	III	II
Pollution degree	3	2	2
Rated voltage	250 V	320 V	630 V
Rated impulse voltage	4 kV	4 kV	4 kV
Rated current	8 A	8 A	8 A
Approbations per	UL 1059		
Use group	B	C	D
Rated voltage	300 V	-	300 V
Rated current	8 A	-	5 A
Approbations per	CSA		
Use group	B	C	D
Rated voltage	300 V	-	300 V
Rated current	10 A	-	10 A

Connection Data	
Connection technology	Push-in CAGE CLAMP®
Strip length	8.5 ... 9.5 mm / 0.33 ... 0.37 inch
Conductor connection direction to PCB	45°
Solid conductor	0.2 ... 1.5 mm ² / 24 ... 16 AWG
Fine-stranded conductor	0.2 ... 1.5 mm ² / 24 ... 16 AWG
Fine-stranded conductor; with insulated ferrule	0.25 ... 1 mm ²
Fine-stranded conductor; with uninsulated ferrule	0.25 ... 1 mm ²

Material Data	
Material group	I
Insulation material	Polyamide (PA66)
Flammability class per UL94	V0
Clamping spring material	Copper alloy
Contact material	Electrolytic copper (E _{cu})
Contact plating	Tin-plated

Mechanical Data	
Solder pin arrangement	Over the entire terminal strip (staggered)
Solder pin length	3.6 mm
Solder pin dimensions	0.4 x 0.75 mm
Drilled hole diameter with tolerance	1 ^(+0.1) mm

Environmental Requirements	
Limit temperature range	-60 ... +105 °C

Ferrule Page 879

Marking Page 864

Test and measurement Page 886

Tool Page 870

See technical section for further information

For approvals and corresponding ratings, visit www.wago.com

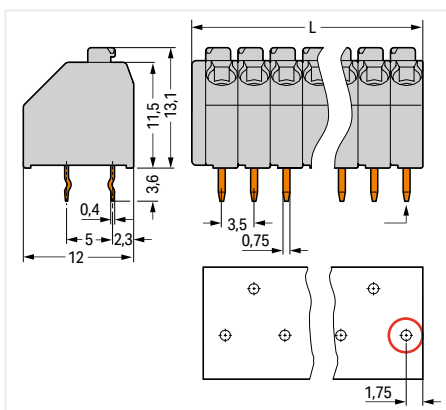
PCB terminal block ▶ 250 Series

Push-in CAGE CLAMP® ▶ Actuation type: Push-button ▶ 1.5 mm² ▶ Solder pin arrangement: Over the entire terminal strip (staggered) ▶ Pin spacing: 3.5 mm / 0.138 inch ▶ Color: gray



250-212

Pole No.	Item No.	PU (SPU)
2	250-202	560 (140)
3	250-203	400 (100)
4	250-204	300 (75)
5	250-205	240 (60)
6	250-206	200 (50)
7	250-207	180 (45)
8	250-208	160 (40)
9	250-209	140 (35)
10	250-210	120 (30)
11	250-211	120 (30)
12	250-212	100 (25)
13	250-213	100 (25)
14	250-214	80 (20)
15	250-215	80 (20)
16	250-216	80 (20)
17	250-217	60 (15)
18	250-218	60 (15)
19	250-219	60 (15)
20	250-220	60 (15)
21	250-221	60 (15)
22	250-222	60 (15)
23	250-223	40 (10)
24	250-224	40 (10)



L = (pole no. x pin spacing) + 1.5 mm
First solder pin, front right (red circle)

PU = Packaging Unit; SPU = Subpackaging Unit; Dimensions in mm

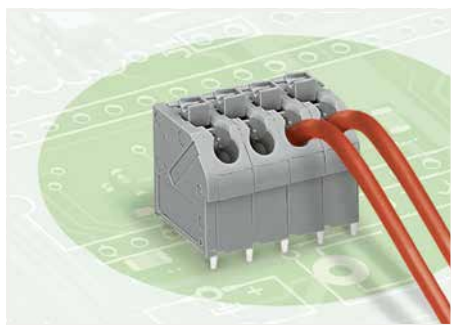
Other versions (or variants) can be requested from WAGO Sales or configured at <https://configurator.wago.com/>.

- Other pole numbers
- Other colors
- Mixed-color PCB connector strips
- Terminal strips with spacers
- Direct marking

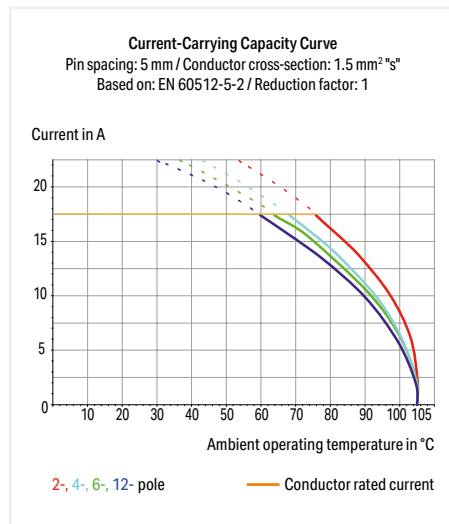
PCB terminal block ▶ 250 Series

Push-in CAGE CLAMP® ▶ Actuation type: Push-button ▶ 1.5 mm² ▶ Solder pin arrangement: Over the entire terminal strip (in-line) ▶ Color: gray

1



- Compact PCB terminal strips with push-buttons
- Push-in termination of solid conductors
- Termination/removal of fine-stranded conductors via push-buttons
- 45° conductor entry angle provides easy, space-saving wiring



Electrical Data

Pin spacing	5 mm / 0.197 inch			7.5 mm / 0.295 inch		
Ratings per	IEC/EN 60664-1					
Overvoltage category	III	III	II	III	III	II
Pollution degree	3	2	2	3	2	2
Rated voltage	320 V	320 V	630 V	500 V	630 V	1000 V
Rated impulse voltage	4 kV	4 kV	4 kV	6 kV	6 kV	6 kV
Rated current	17.5 A	17.5 A	17.5 A	17.5 A	17.5 A	17.5 A
Approbations per	UL 1059			UL 1059		
Use group	B	C	D	B	C	D
Rated voltage	300 V	-	300 V	300 V	-	300 V
Rated current	10 A	-	10 A	10 A	-	10 A
Approbations per	CSA			CSA		
Use group	B	C	D	B	C	D
Rated voltage	300 V	-	300 V	300 V	-	300 V
Rated current	10 A	-	10 A	10 A	-	10 A

Connection Data

Connection technology	Push-in CAGE CLAMP®
Strip length	9 ... 10 mm / 0.35 ... 0.39 inch
Conductor connection direction to PCB	45°
Solid conductor	0.5 ... 1.5 mm ² / 20 ... 14 AWG
Fine-stranded conductor	0.75 ... 1.5 mm ² / 18 ... 16 AWG
Fine-stranded conductor; with insulated ferrule	0.5 ... 1 mm ²
Fine-stranded conductor; with uninsulated ferrule	0.5 ... 1 mm ²

Material Data

Material group	I
Insulation material	Polyamide (PA66)
Flammability class per UL94	V0
Clamping spring material	Chrome nickel spring steel (CrNi)
Contact material	Electrolytic copper (E _{Cu})
Contact plating	Tin-plated

Mechanical Data

Solder pin arrangement	Over the entire terminal strip (in-line)
Solder pin length	4 mm
Solder pin dimensions	0.5 x 0.75 mm
Drilled hole diameter with tolerance	1 ^(+0.1) mm

Environmental Requirements

Limit temperature range	-60 ... +105 °C
-------------------------	-----------------

Ferrule [Page 879](#)

Marking [Page 865](#)

Test and measurement [Page 886](#)

Tool [Page 870](#)

See technical section for further information

For approvals and corresponding ratings, visit www.wago.com

PCB terminal block ▶ 250 Series

Push-in CAGE CLAMP® ▶ Actuation type: Push-button ▶ 1.5 mm² ▶ Solder pin arrangement: Over the entire terminal strip (in-line) ▶ Color: gray

Pin spacing: 5 mm / 0.197 inch

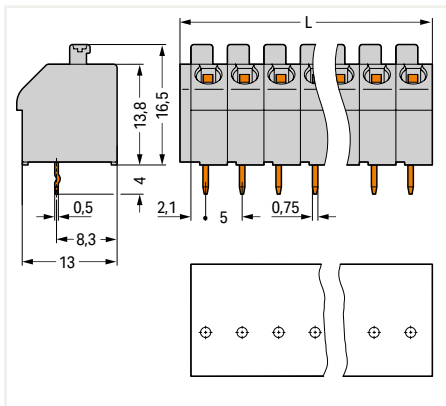
Pin spacing: 7.5 mm / 0.295 inch

1

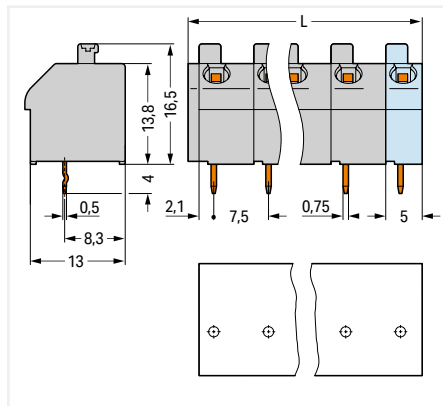


Pole No.	Item No.	PU (SPU)
2	250-502	400 (100)
3	250-503	280 (70)
4	250-504	220 (55)
5	250-505	180 (45)
6	250-506	140 (35)
7	250-507	120 (30)
8	250-508	100 (25)
9	250-509	100 (25)
10	250-510	80 (20)
11	250-511	80 (20)
12	250-512	60 (15)
13	250-513	60 (15)
14	250-514	60 (15)
15	250-515	60 (15)
16	250-516	40 (10)

Pole No.	Item No.	PU (SPU)
2	250-602	340 (85)
3	250-603	200 (50)
4	250-604	160 (40)
5	250-605	120 (30)
6	250-606	100 (25)
7	250-607	80 (20)
8	250-608	60 (15)
9	250-609	60 (15)
10	250-610	60 (15)
11	250-611	40 (10)
12	250-612	40 (10)



$L = (\text{pole no.} \times \text{pin spacing}) + 1.5 \text{ mm}$



$L = (\text{pole no.} - 1) \times \text{pin spacing} + 5 \text{ mm} + 1.5 \text{ mm}$

PU = Packaging Unit; SPU = Subpackaging Unit; Dimensions in mm

Other versions (or variants) can be requested from WAGO Sales or configured at <https://configurator.wago.com/>.

- Other pole numbers
- Other colors
- Mixed-color PCB connector strips
- Direct marking

Double-deck PCB terminal block ▶ 250 Series

Push-in CAGE CLAMP® ▶ Actuation type: Push-button ▶ 1.5 mm² ▶ Solder pin arrangement: Over the entire terminal strip (in-line) ▶ Pin spacing: 5 mm / 0.197 inch ▶ Color: agate gray

1



- Space-saving, double-deck terminal strips with push-buttons
- Push-in termination of solid and ferruled conductors
- Termination/removal of fine-stranded conductors via push-buttons
- 45° conductor entry angle provides easy, space-saving wiring

Electrical Data			
Pin spacing	5 mm / 0.197 inch		
Ratings per	IEC/EN 60664-1		
Overvoltage category	III	III	II
Pollution degree	3	2	2
Rated voltage	320 V	320 V	630 V
Rated impulse voltage	4 kV	4 kV	4 kV
Rated current	10 A	10 A	10 A
Approbations per	UL 1059		
Use group	B	C	D
Rated voltage	300 V	-	300 V
Rated current	10 A	-	10 A
Approbations per	CSA		
Use group	B	C	D
Rated voltage	300 V	-	300 V
Rated current	10 A	-	10 A
Connection Data			
Connection technology	Push-in CAGE CLAMP®		
Strip length	9 ... 10 mm / 0.35 ... 0.39 inch		
Conductor connection direction to PCB	45°		
Solid conductor	0.5 ... 1.5 mm ² / 20 ... 16 AWG		
Fine-stranded conductor	0.75 ... 1.5 mm ²		
Fine-stranded conductor; with insulated ferrule	0.5 ... 1 mm ²		
Fine-stranded conductor; with uninsulated ferrule	0.5 ... 1 mm ²		
Material Data			
Insulation material	Polyamide (PA66)		
Flammability class per UL94	V0		
Clamping spring material	Chrome nickel spring steel (CrNi)		
Contact material	Electrolytic copper (E _{Cu})		
Contact plating	Tin-plated		
Mechanical Data			
Solder pin arrangement	Over the entire terminal strip (in-line)		
Solder pin length	4 mm		
Solder pin dimensions	0.5 x 0.75 mm		
Drilled hole diameter with tolerance	1.2 ^{+0.1 ... +0.1} mm		

Ferrule [Page 879](#)

Marking [Page 865](#)

Test and measurement [Page 886](#)

Tool [Page 870](#)

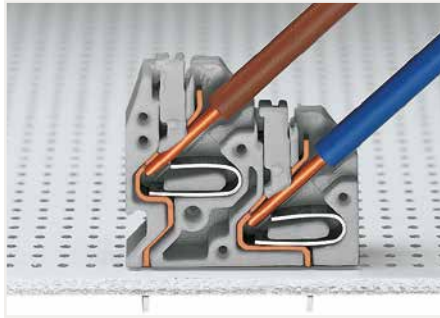
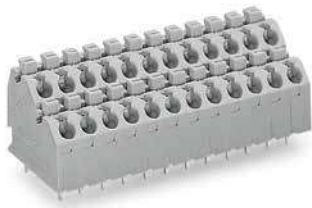
See technical section for further information

For approvals and corresponding ratings, visit www.wago.com

Double-deck PCB terminal block ▶ 250 Series

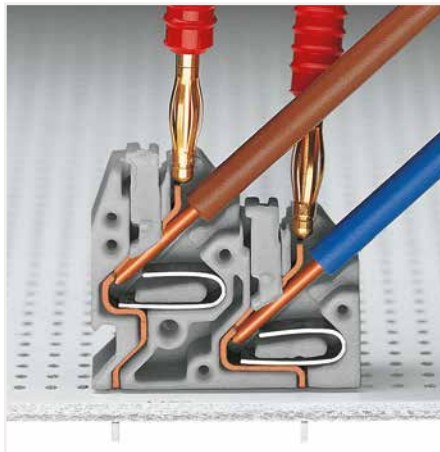
Push-in CAGE CLAMP® ▶ Actuation type: Push-button ▶ 1.5 mm² ▶ Solder pin arrangement: Over the entire terminal strip (in-line) ▶ Pin spacing: 5 mm / 0.197 inch ▶ Color: agate gray

1

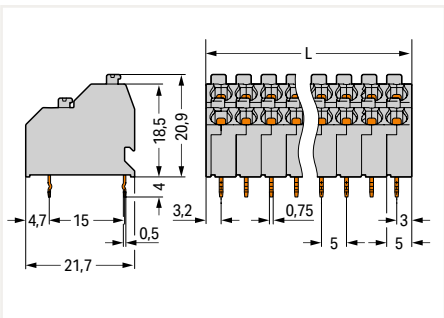


250-712 Space-saving wiring – push-in termination of solid conductors.

Pole No.	Item No.	PU (SPU)
4	250-702	264 (66)
6	250-703	180 (45)
8	250-704	132 (33)
12	250-706	84 (21)
16	250-708	72 (18)
20	250-710	48 (12)
24	250-712	48 (12)
32	250-716	36 (9)



Testing with 2 mm Ø test plug – touch contact.



$L = (\text{pole no.} \times \text{pin spacing}) + 1.2 \text{ mm}$

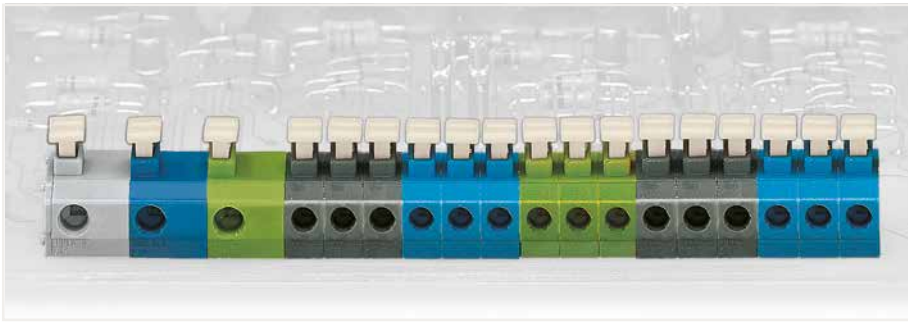
PU = Packaging Unit; SPU = Subpackaging Unit; Dimensions in mm

Other versions (or variants) can be requested from WAGO Sales or configured at <https://configurator.wago.com/>.

- Other pole numbers
- Other colors
- Direct marking

235 Series Description and Installation

1



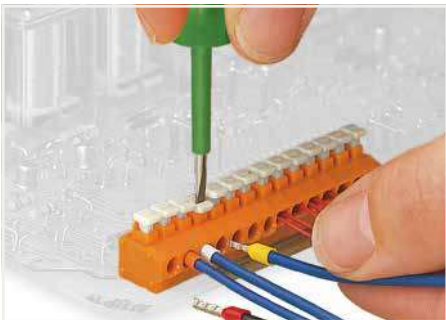
Combining terminal blocks with different housing colors and pin spacing.



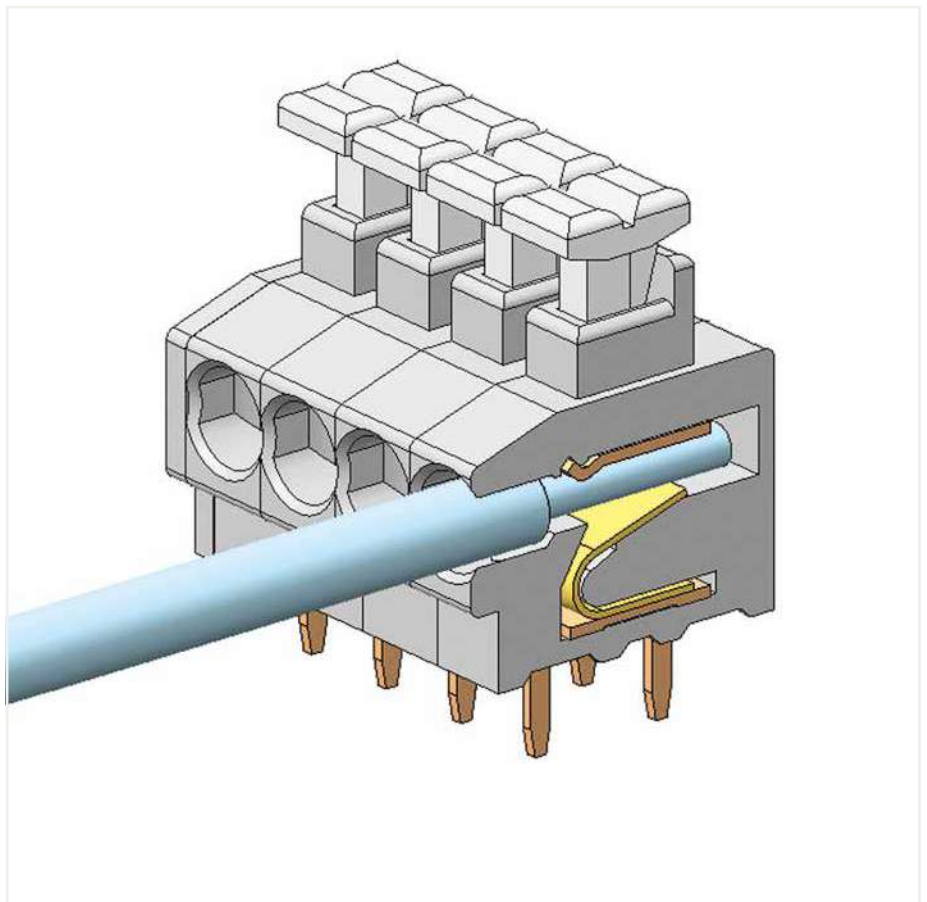
Inserting solid conductors via push-in termination.



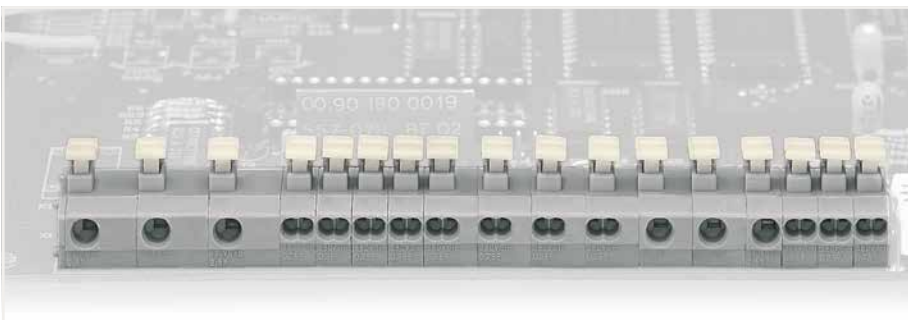
Inserting/removing fine-stranded conductors via push-button.



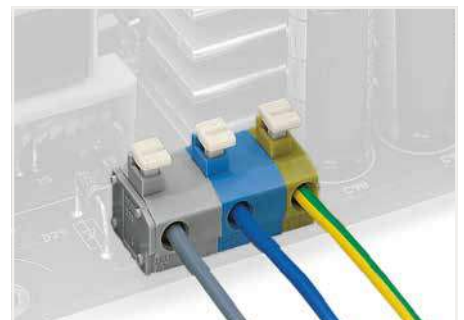
Inserting/removing fine-stranded conductors with ferrules via push-button.



235 Series



Combining 1- and 2-conductor terminal blocks with different pin spacing
2-conductor terminal blocks, see www.wago.com

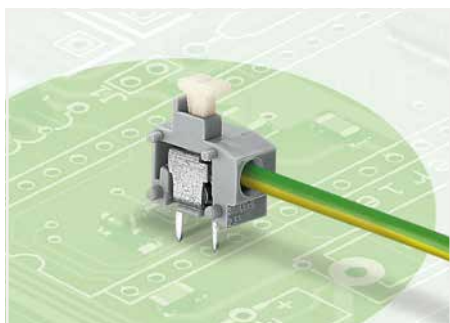


Application example: field-wiring terminal strip

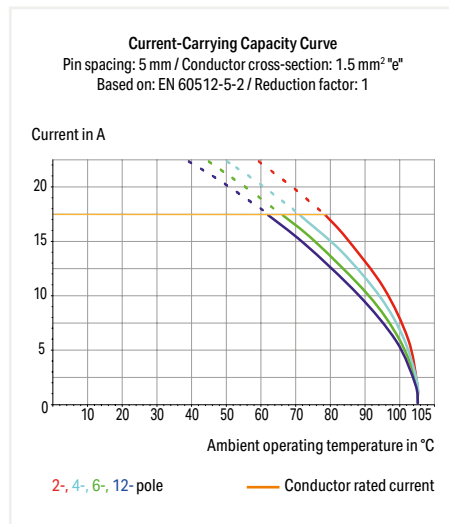
Stackable PCB terminal block ▶ 235 Series

Push-in CAGE CLAMP® ▶ Actuation type: Push-button ▶ 1.5 mm²

1



- Modular PCB terminal blocks with push-buttons for custom terminal strip assemblies
- Push-in termination of solid and ferruled conductors
- Convenient termination/removal of fine-stranded conductors via push-buttons
- Set to metric or inch pin spacing by compressing terminal strips or pulling them apart

**Electrical Data**

Pin spacing	5/5.08 mm / 0.197/0.2 inch			7.5/7.62 mm / 0.295/0.3 inch			10/10.16 mm / 0.394/0.4 inch		
Ratings per	IEC/EN 60664-1			IEC/EN 60664-1			IEC/EN 60664-1		
Oversoltage category	III	III	II	III	III	II	III	III	II
Pollution degree	3	2	2	3	2	2	3	2	2
Rated voltage	250 V	320 V	630 V	400 V	630 V	1000 V	630 V	1000 V	1000 V
Rated impulse voltage	4 kV	4 kV	4 kV	6 kV	6 kV	6 kV	8 kV	8 kV	8 kV
Rated current	17.5 A	17.5 A	17.5 A	17.5 A	17.5 A	17.5 A	17.5 A	17.5 A	17.5 A

Approbations per	UL 1059			UL 1059			UL 1059		
Use group	B	C	D	B	C	D	B	C	D
Rated voltage	300 V	-	300 V	300 V	-	300 V	300 V	-	300 V
Rated current	10 A	-	10 A	10 A	-	10 A	10 A	-	10 A

Approbations per	CSA			CSA			CSA		
Use group	B	C	D	B	C	D	B	C	D
Rated voltage	300 V	-	-	300 V	-	-	300 V	-	-
Rated current	15 A	-	-	15 A	-	-	15 A	-	-

Connection Data

Connection technology	Push-in CAGE CLAMP®
Strip length	9 ... 10 mm / 0.35 ... 0.39 inch
Conductor connection direction to PCB	0°
Solid conductor	0.2 ... 1.5 mm ² / 20 ... 14 AWG
Fine-stranded conductor	0.75 ... 1.5 mm ² / 20 ... 14 AWG
Fine-stranded conductor; with insulated ferrule	0.25 ... 1 mm ²
Fine-stranded conductor; with uninsulated ferrule	0.25 ... 1 mm ²

Material Data

Material group	I
Insulation material	Polyamide (PA66)
Flammability class per UL94	V0
Clamping spring material	Chrome nickel spring steel (CrNi)
Contact material	Electrolytic copper (E _{cu})
Contact plating	Tin-plated

Mechanical Data

Solder pin arrangement	Within the terminal block (in-line)
Solder pin length	3.6 mm
Solder pin dimensions	0.4 x 0.8 mm
Drilled hole diameter with tolerance	1 ^(+0.1) mm

Environmental Requirements

Limit temperature range	-60 ... +105 °C
-------------------------	-----------------

Ferrule	Page 879
---------	----------

Marking	Page 865
---------	----------

Tool	Page 870
------	----------

See technical section for further information

For approvals and corresponding ratings, visit www.wago.com

Stackable PCB terminal block ▶ 235 Series

Push-in CAGE CLAMP® ▶ Actuation type: Push-button ▶ 1.5 mm²

Pin spacing: 5/5.08 mm / 0.197/0.2 inch

Pin spacing: 7.5/7.62 mm / 0.295/0.3 inch

Pin spacing: 10/10.16 mm / 0.394/0.4 inch



235-401/331-000



235-501/331-000

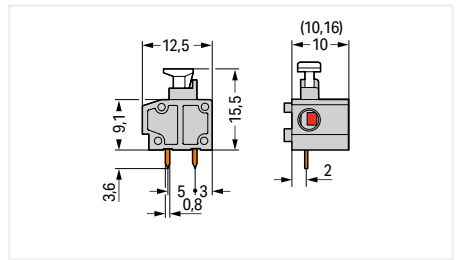
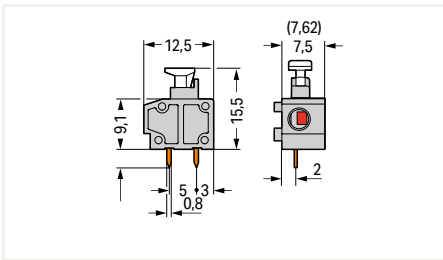
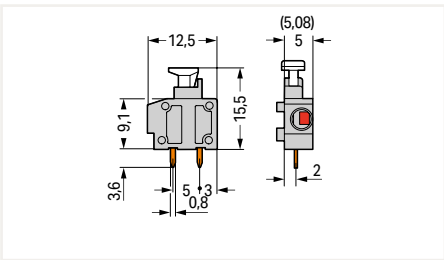


235-801/331-000

Color	Item No.	PU (SPU)
gray	235-401/331-000	800 (100)
blue	235-744/331-000	800 (100)
orange	235-746/331-000	800 (100)
white	235-745/331-000	800 (100)
black	235-748/331-000	800 (100)
yellow	235-741/331-000	800 (100)
light gray	235-743/331-000	800 (100)
light green	235-747/331-000	800 (100)
violet	235-749/331-000	800 (100)
red	235-740/331-000	800 (100)
dark gray	235-742/331-000	800 (100)

Color	Item No.	PU (SPU)
gray	235-501/331-000	600 (100)
blue	235-754/331-000	600 (100)
orange	235-756/331-000	600 (100)
black	235-758/331-000	600 (100)
light gray	235-753/331-000	600 (100)
light green	235-757/331-000	600 (100)
dark gray	235-752/331-000	600 (100)

Color	Item No.	PU (SPU)
gray	235-801/331-000	400 (100)
blue	235-764/331-000	400 (100)
orange	235-766/331-000	400 (100)
light green	235-767/331-000	400 (100)
dark gray	235-762/331-000	400 (100)



Accessories; for all products on this page



End plate; Width: 1 mm; snap-on type

Color	Item No.	PU (SPU)
gray	235-100	2000 (100)
blue	235-400	2000 (100)
orange	235-600	2000 (100)
white	235-850	2000 (100)
black	235-500	2000 (100)
yellow	235-550	2000 (100)
light gray	235-300	2000 (100)
light green	235-700	2000 (100)
violet	235-650	2000 (100)
red	235-800	2000 (100)
dark gray	235-200	2000 (100)



Intermediate plate; Extends pin spacing; Width: 5 mm / 0.197 inch

Color	Item No.	PU (SPU)
gray	235-701	1000 (100)

PU = Packaging Unit; SPU = Subpackaging Unit; Dimensions in mm

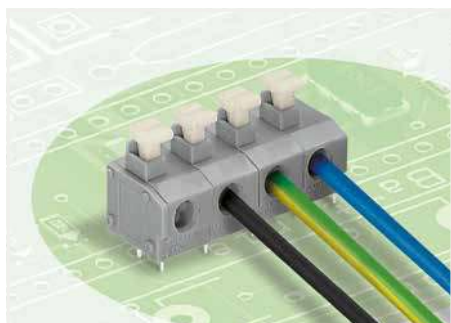
Other versions (or variants) can be requested from WAGO Sales or configured at <https://configurator.wago.com/>.

- Other colors

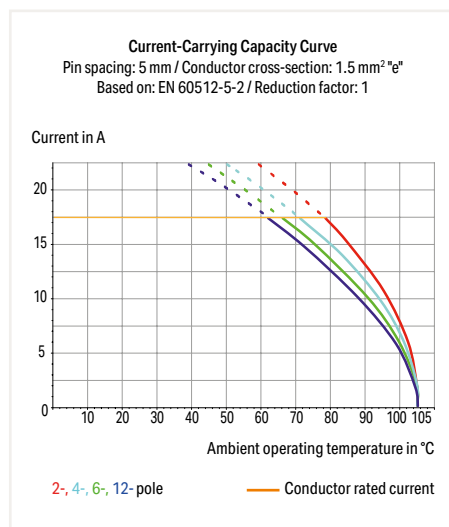
PCB terminal block ▶ 235 Series

Push-in CAGE CLAMP® ▶ Actuation type: Push-button ▶ 1.5 mm² ▶ Pin spacing: 5/5.08 mm / 0.197/0.2 inch ▶ Color: gray

1



- PCB terminal strips with push-buttons
- Push-in termination of solid and ferruled conductors
- Convenient termination/removal of fine-stranded conductors via push-buttons
- Set to metric or inch pin spacing by compressing terminal strips or pulling them apart



Electrical Data			
Pin spacing	5/5.08 mm / 0.197/0.2 inch		
Ratings per	IEC/EN 60664-1		
Overvoltage category	III	III	II
Pollution degree	3	2	2
Rated voltage	250 V	320 V	630 V
Rated impulse voltage	4 kV	4 kV	4 kV
Rated current	17.5 A	17.5 A	17.5 A
Approbations per	UL 1059		
Use group	B	C	D
Rated voltage	300 V	-	300 V
Rated current	10 A	-	10 A
Approbations per	CSA		
Use group	B	C	D
Rated voltage	300 V	-	-
Rated current	15 A	-	-

Connection Data	
Connection technology	Push-in CAGE CLAMP®
Strip length	9 ... 10 mm / 0.35 ... 0.39 inch
Conductor connection direction to PCB	0°
Solid conductor	0.2 ... 1.5 mm ² / 20 ... 14 AWG
Fine-stranded conductor	0.75 ... 1.5 mm ² / 20 ... 14 AWG
Fine-stranded conductor; with insulated ferrule	0.25 ... 1 mm ²
Fine-stranded conductor; with uninsulated ferrule	0.25 ... 1 mm ²

Material Data	
Material group	I
Insulation material	Polyamide (PA66)
Flammability class per UL94	V0
Clamping spring material	Chrome nickel spring steel (CrNi)
Contact material	Electrolytic copper (E _{cu})
Contact plating	Tin-plated

Mechanical Data	
Solder pin arrangement	Over the entire terminal strip (in-line)
Solder pin length	3.6 mm
Solder pin dimensions	0.4 x 0.8 mm
Drilled hole diameter with tolerance	1 ^(+0.1) mm

Environmental Requirements	
Limit temperature range	-60 ... +105 °C

Ferrule Page 879

Marking Page 865

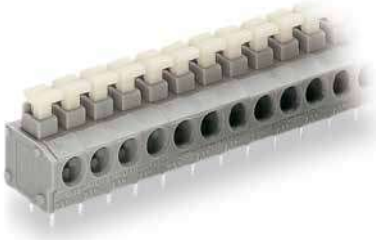
Tool Page 870

See technical section for further information

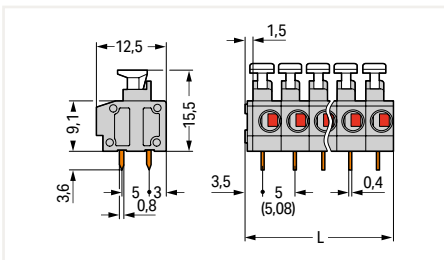
For approvals and corresponding ratings, visit www.wago.com

PCB terminal block ▶ 235 Series

Push-in CAGE CLAMP® ▶ Actuation type: Push-button ▶ 1.5 mm² ▶ Pin spacing: 5/5.08 mm / 0.197/0.2 inch ▶ Color: gray



Pole No.	Item No.	PU (SPU)
2	235-402/331-000	420 (105)
3	235-403/331-000	280 (70)
4	235-404/331-000	220 (55)
5	235-405/331-000	180 (45)
6	235-406/331-000	140 (35)
7	235-407/331-000	120 (30)
8	235-408/331-000	100 (25)
9	235-409/331-000	100 (25)
10	235-410/331-000	80 (20)
12	235-412/331-000	60 (15)



$L = (\text{pole no.} \times \text{pin spacing}) + 1.5 \text{ mm}$

PU = Packaging Unit; SPU = Subpackaging Unit; Dimensions in mm

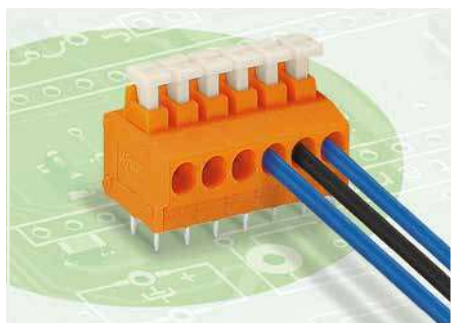
Other versions (or variants) can be requested from WAGO Sales or configured at <https://configurator.wago.com/>.

- Other pole numbers
- Other colors
- Terminal strips with 7.5/7.62 mm and 10/10.16 mm pin spacing
- Mixed-color PCB connector strips
- Direct marking

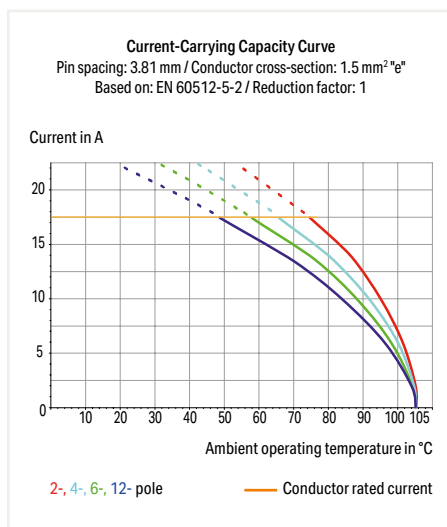
Stackable PCB terminal block ▶ 235 Series

Push-in CAGE CLAMP® ▶ Actuation type: Push-button ▶ 1.5 mm² ▶ Pin spacing: 3.81 mm / 0.15 inch

1



- Push-in termination of solid and ferruled conductors
- Convenient termination/removal of fine-stranded conductors via push-buttons



Electrical Data

Pin spacing	3.81 mm / 0.15 inch		
Ratings per	IEC/EN 60664-1		
Overvoltage category	III	III	II
Pollution degree	3	2	2
Rated voltage	200 V	320 V	500 V
Rated impulse voltage	4 kV	4 kV	4 kV
Rated current	17.5 A	17.5 A	17.5 A
Approbations per	UL 1059		
Use group	B	C	D
Rated voltage	300 V	-	300 V
Rated current	10 A	-	10 A
Approbations per	CSA		
Use group	B	C	D
Rated voltage	300 V	-	-
Rated current	10 A	-	-

Connection Data

Connection technology	Push-in CAGE CLAMP®
Strip length	9 ... 10 mm / 0.35 ... 0.39 inch
Conductor connection direction to PCB	0°
Solid conductor	0.5 ... 1.5 mm ² / 20 ... 16 AWG
Fine-stranded conductor	0.75 ... 1.5 mm ² / 20 ... 16 AWG
Fine-stranded conductor; with insulated ferrule	0.25 ... 1 mm ²
Fine-stranded conductor; with uninsulated ferrule	0.25 ... 1 mm ²

Material Data

Material group	I
Insulation material	Polyamide (PA66)
Flammability class per UL94	V0
Clamping spring material	Chrome nickel spring steel (CrNi)
Contact material	Electrolytic copper (E _{cu})
Contact plating	Tin-plated

Mechanical Data

Solder pin arrangement	Within the terminal block (in-line)
Solder pin length	3.6 mm
Solder pin dimensions	0.4 x 0.8 mm
Drilled hole diameter with tolerance	1 ^(+0.1) mm

Environmental Requirements

Limit temperature range	-60 ... +105 °C
-------------------------	-----------------

Ferrule Page 879

Marking Page 864

Tool Page 870

See technical section for further information

For approvals and corresponding ratings, visit www.wago.com

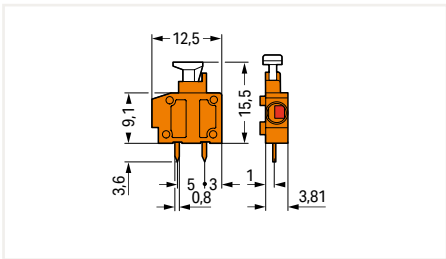
Stackable PCB terminal block ▶ 235 Series

Push-in CAGE CLAMP® ▶ Actuation type: Push-button ▶ 1.5 mm² ▶ Pin spacing: 3.81 mm / 0.15 inch



235-101

Color	Item No.	PU (SPU)
gray	235-771	800 (100)
blue	235-774	800 (100)
orange	235-101	800 (100)
white	235-775	800 (100)
black	235-778	800 (100)
yellow	235-776	800 (100)
light green	235-777	800 (100)
red	235-770	800 (100)
dark gray	235-772	800 (100)



Accessories; for all products on this page



End plate; Width: 1 mm; snap-on type

Color	Item No.	PU (SPU)
gray	235-100	2000 (100)
blue	235-400	2000 (100)
orange	235-600	2000 (100)
white	235-850	2000 (100)
black	235-500	2000 (100)
yellow	235-550	2000 (100)
light green	235-700	2000 (100)
red	235-800	2000 (100)
dark gray	235-200	2000 (100)

PU = Packaging Unit; SPU = Subpackaging Unit; Dimensions in mm

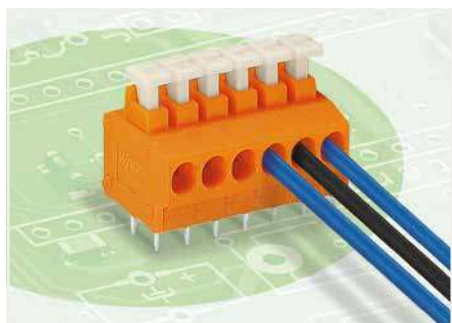
Other versions (or variants) can be requested from WAGO Sales or configured at <https://configurator.wago.com/>.

- Other colors

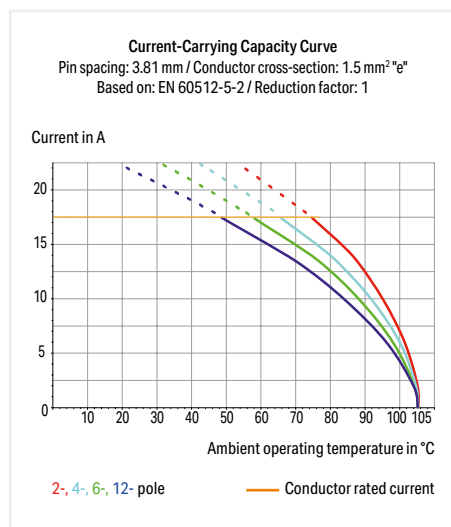
PCB terminal block ▶ 235 Series

Push-in CAGE CLAMP® ▶ Actuation type: Push-button ▶ 1.5 mm² ▶ Pin spacing: 3.81 mm / 0.15 inch ▶ Color: orange

1



- PCB terminal strips with push-buttons
- Push-in termination of solid and ferruled conductors
- Convenient termination/removal of fine-stranded conductors via push-buttons



Electrical Data

Pin spacing	3.81 mm / 0.15 inch		
Ratings per	IEC/EN 60664-1		
Overvoltage category	III	III	II
Pollution degree	3	2	2
Rated voltage	200 V	320 V	500 V
Rated impulse voltage	4 kV	4 kV	4 kV
Rated current	17.5 A	17.5 A	17.5 A
Approbations per	UL 1059		
Use group	B	C	D
Rated voltage	300 V	-	300 V
Rated current	10 A	-	10 A
Approbations per	CSA		
Use group	B	C	D
Rated voltage	300 V	-	-
Rated current	10 A	-	-

Connection Data

Connection technology	Push-in CAGE CLAMP®
Strip length	9 ... 10 mm / 0.35 ... 0.39 inch
Conductor connection direction to PCB	0°
Solid conductor	0.5 ... 1.5 mm ² / 20 ... 16 AWG
Fine-stranded conductor	0.75 ... 1.5 mm ² / 20 ... 16 AWG
Fine-stranded conductor; with insulated ferrule	0.25 ... 1 mm ²
Fine-stranded conductor; with uninsulated ferrule	0.25 ... 1 mm ²

Material Data

Material group	I
Insulation material	Polyamide (PA66)
Flammability class per UL94	V0
Clamping spring material	Chrome nickel spring steel (CrNi)
Contact material	Electrolytic copper (E _{cu})
Contact plating	Tin-plated

Mechanical Data

Solder pin arrangement	Over the entire terminal strip (in-line)
Solder pin length	3.6 mm
Solder pin dimensions	0.4 x 0.8 mm
Drilled hole diameter with tolerance	1 ^(+0.1) mm

Environmental Requirements

Limit temperature range	-60 ... +105 °C
-------------------------	-----------------

Ferrule Page 879

Marking Page 864

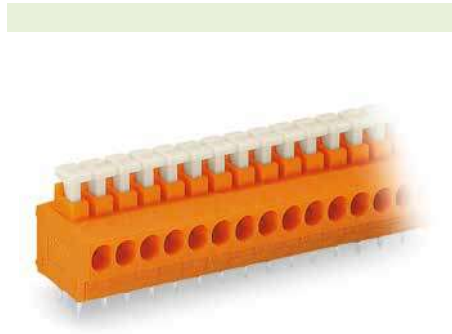
Tool Page 870

See technical section for further information

For approvals and corresponding ratings, visit www.wago.com

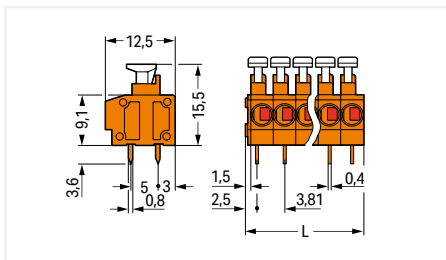
PCB terminal block ▶ 235 Series

Push-in CAGE CLAMP® ▶ Actuation type: Push-button ▶ 1.5 mm² ▶ Pin spacing: 3.81 mm / 0.15 inch ▶ Color: orange



1

Pole No.	Item No.	PU (SPU)
2	235-102	520 (130)
3	235-103	360 (90)
4	235-104	280 (70)
5	235-105	220 (55)
6	235-106	180 (45)
7	235-107	160 (40)
8	235-108	140 (35)
9	235-109	120 (30)
10	235-110	120 (30)
12	235-112	100 (25)



$L = (\text{pole no.} \times \text{pin spacing}) + 1.5 \text{ mm}$

PU = Packaging Unit; SPU = Subpackaging Unit; Dimensions in mm

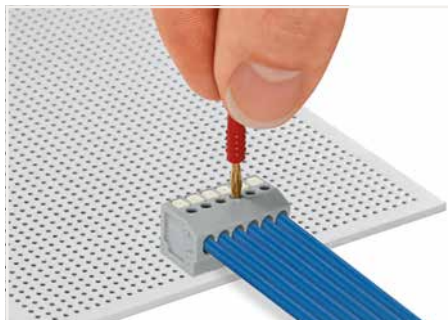
Other versions (or variants) can be requested from WAGO Sales or configured at <https://configurator.wago.com/>.

- Other pole numbers
- Other colors
- Mixed-color PCB connector strips
- Direct marking

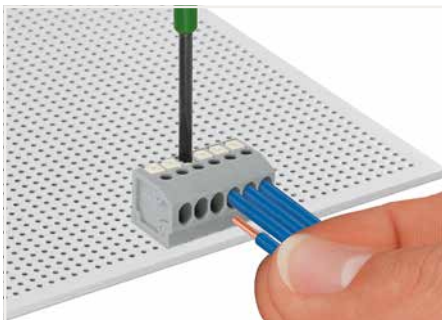
805 Series

Description and Installation

1



Testing with 2 mm Ø test plug.



Terminating solid conductors by simply pushing them in. Removing conductors and inserting fine-stranded conductors via push-buttons.



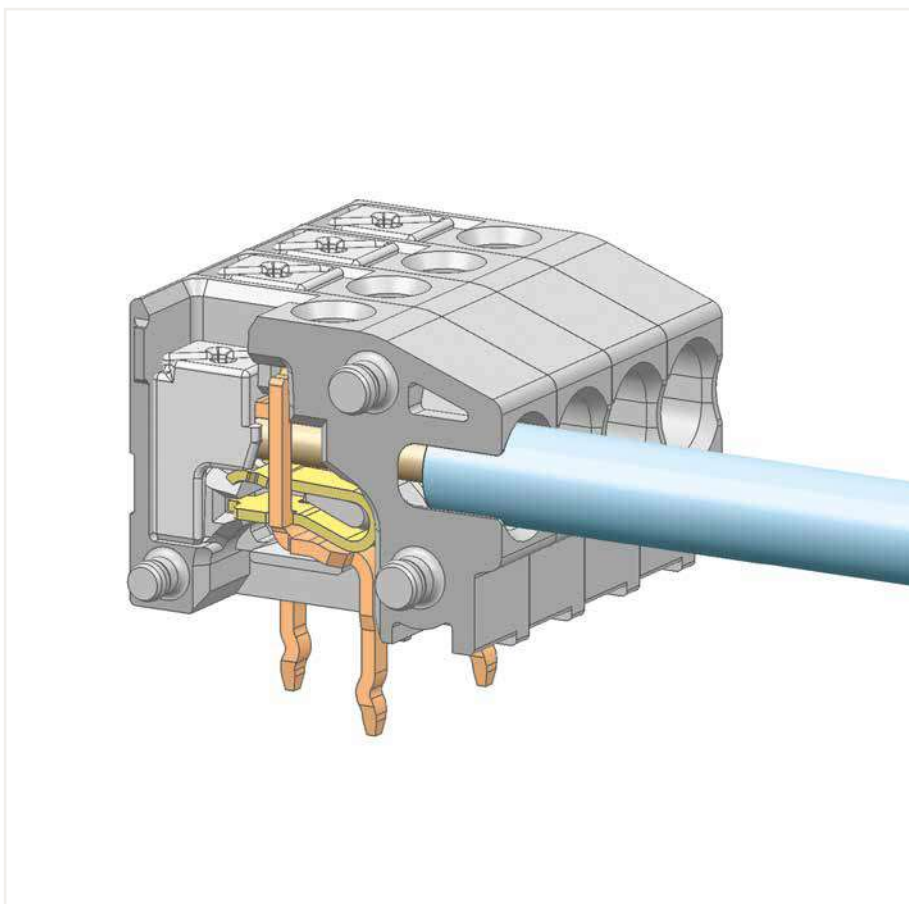
Mixed-color terminal strips are available upon request.



Terminal strips with spacers and enlarged conductor entry (5 mm pin spacing) are available upon request.



WAGO's 805 Series Terminal Strips provide "internal commoning" to meet requirements that ban routing the ground conductor over the board. This enables custom terminal strips to be commoned and marked at the factory upon request.

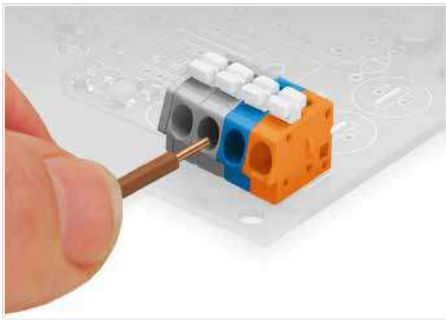


805 Series

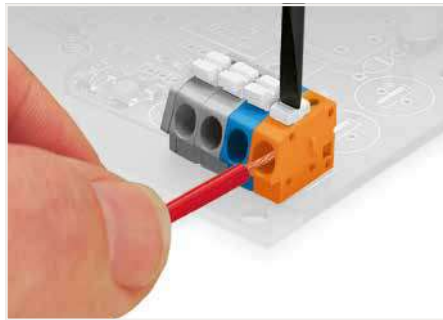
804 Series

Description and Installation

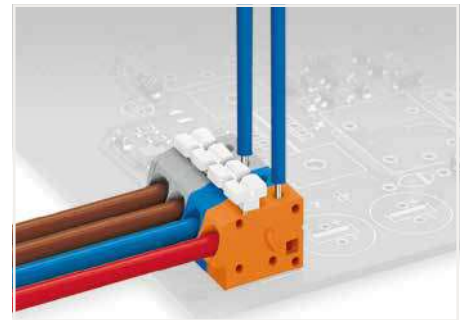
1



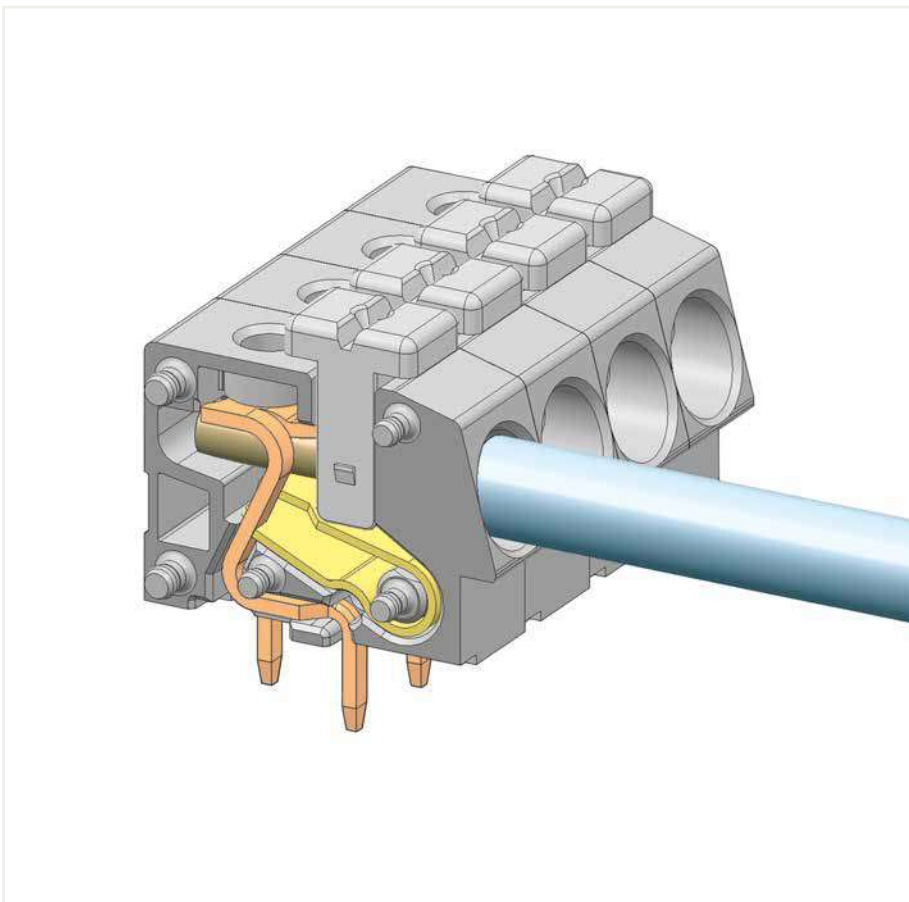
Terminating solid conductors: Simply push in stripped conductor until it hits backstop.



Inserting/removing fine-stranded conductors: Open the clamping unit via push-button and insert stripped conductor until it hits backstop.



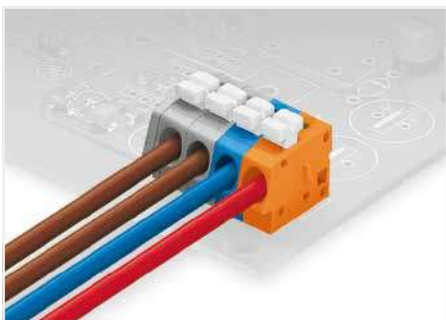
Testing with 1 mm Ø test pin – manual touch contact.



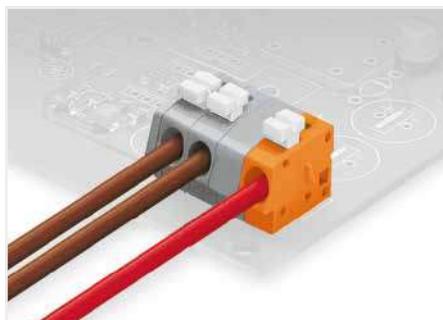
804 Series



WAGO's 804 Series Terminal Strips provide "internal commoning" to meet requirements that ban routing the ground conductor over the board. This enables custom terminal strips to be commoned and marked at the factory upon request.



Mixed-color terminal strips are available upon request.



Terminal strips with spacer are available upon request.

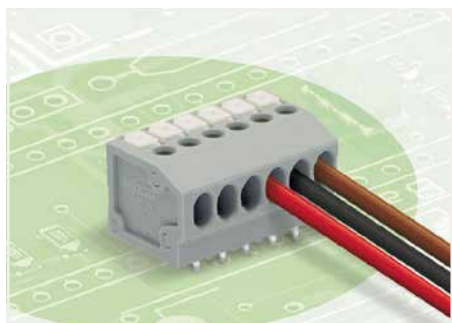


Labeling via self-adhesive marking strips or factory direct marking.

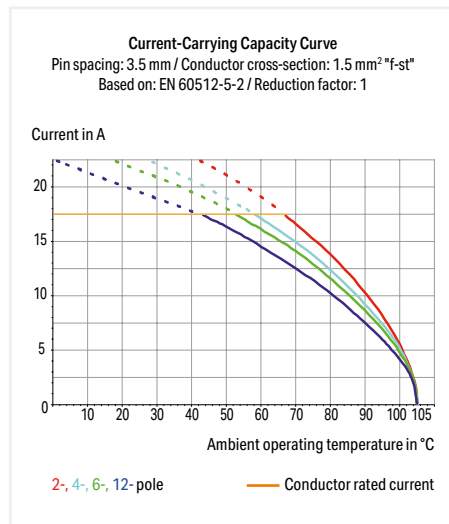
PCB terminal block ▶ 805 Series

Push-in CAGE CLAMP® ▶ Actuation type: Push-button ▶ 1.5 mm² ▶ Solder pin arrangement: Over the entire terminal strip (in-line) ▶ Pin spacing: 3.5 mm / 0.138 inch ▶ Color: gray

1



- PCB terminal strips with push-buttons and Push-in CAGE CLAMP® connection
- Push-in termination of solid and ferruled conductors
- Flush-mount push-buttons that close with minimal force for convenient termination/removal of fine-stranded conductors
- Convenient, tool-free operation
- Versions with/without test slots and spacers
- Versions available with custom internal commoning (factory assembly), e.g., commoning ground conductor



Electrical Data

Pin spacing	3.5 mm / 0.138 inch		
Ratings per	IEC/EN 60664-1		
Overvoltage category	III	III	II
Pollution degree	3	2	2
Rated voltage	160 V	160 V	320 V
Rated impulse voltage	2.5 kV	2.5 kV	2.5 kV
Rated current	17.5 A	17.5 A	17.5 A
Approbations per	UL 1059		
Use group	B	C	D
Rated voltage	300 V	150 V	300 V
Rated current	10 A	10 A	10 A

Connection Data

Connection technology	Push-in CAGE CLAMP®
Strip length	9 ... 10 mm / 0.35 ... 0.39 inch
Conductor connection direction to PCB	0°
Solid conductor	0.2 ... 1.5 mm ² / 24 ... 16 AWG
Fine-stranded conductor	0.2 ... 1.5 mm ² / 24 ... 16 AWG
Fine-stranded conductor; with insulated ferrule	0.25 ... 1 mm ²
Fine-stranded conductor; with uninsulated ferrule	0.25 ... 1 mm ²

Material Data

Material group	I
Insulation material	Polyamide (PA66)
Flammability class per UL94	V0
Clamping spring material	Chrome nickel spring steel (CrNi)
Contact material	Electrolytic copper (E ₀)
Contact plating	Tin-plated

Mechanical Data

Solder pin arrangement	Over the entire terminal strip (in-line)
Solder pin length	3.2 mm
Solder pin dimensions	0.5 x 0.75 mm
Drilled hole diameter with tolerance	1.1 ^(+0.1) mm

Environmental Requirements

Limit temperature range	-60 ... +105 °C
-------------------------	-----------------

Ferrule Page 879

Marking Page 864

Test and measurement Page 886

Tool Page 870

See technical section for further information

For approvals and corresponding ratings, visit www.wago.com

PCB terminal block ▶ 805 Series

Push-in CAGE CLAMP® ▶ Actuation type: Push-button ▶ 1.5 mm² ▶ Solder pin arrangement: Over the entire terminal strip (in-line) ▶ Pin spacing: 3.5 mm / 0.138 inch ▶ Color: gray

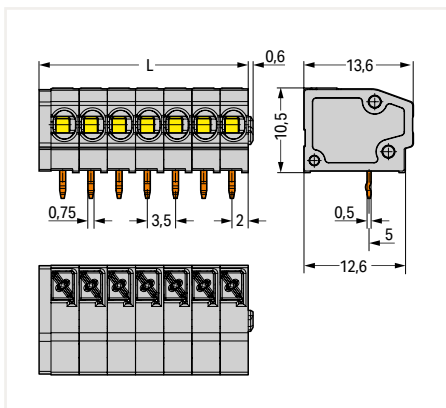
Number of test slots: 1



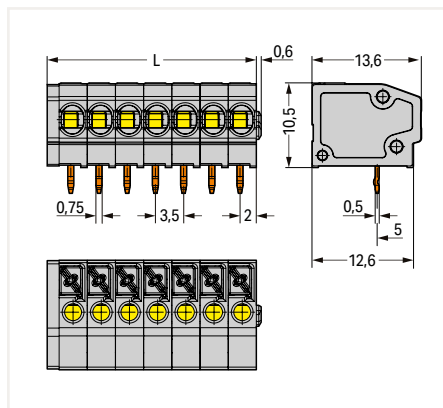
805-356

805-156

Pole No.	Item No.	PU (SPU)	Pole No.	Item No.	PU (SPU)
2	805-352	600 (150)	2	805-152	600 (150)
3	805-353	420 (105)	3	805-153	420 (105)
4	805-354	300 (75)	4	805-154	320 (80)
5	805-355	260 (65)	5	805-155	260 (65)
6	805-356	220 (55)	6	805-156	220 (55)
7	805-357	180 (45)	7	805-157	180 (45)
8	805-358	160 (40)	8	805-158	160 (40)
9	805-359	140 (35)	9	805-159	140 (35)
10	805-360	120 (30)	10	805-160	120 (30)
11	805-361	100 (25)	11	805-161	100 (25)
12	805-362	100 (25)	12	805-162	100 (25)
13	805-363	100 (25)	13	805-163	100 (25)
14	805-364	100 (25)	14	805-164	100 (25)
15	805-365	80 (20)	15	805-165	80 (20)
16	805-366	80 (20)	16	805-166	80 (20)
17	805-367	80 (20)	17	805-167	80 (20)
18	805-368	60 (15)	18	805-168	60 (15)
19	805-369	60 (15)	19	805-169	60 (15)
20	805-370	60 (15)	20	805-170	60 (15)
21	805-371	60 (15)	21	805-171	60 (15)
22	805-372	60 (15)	22	805-172	60 (15)
23	805-373	60 (15)	23	805-173	60 (15)
24	805-374	40 (10)	24	805-174	40 (10)



L = (pole no. x pin spacing) + 1.5 mm



L = (pole no. x pin spacing) + 1.5 mm

PU = Packaging Unit; SPU = Subpackaging Unit; Dimensions in mm

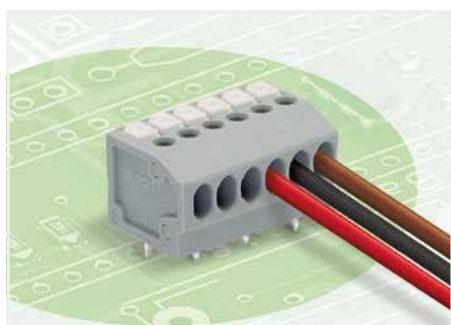
Other versions (or variants) can be requested from WAGO Sales or configured at <https://configurator.wago.com/>.

- Other pole numbers
- Other colors
- Mixed-color PCB connector strips
- Direct marking

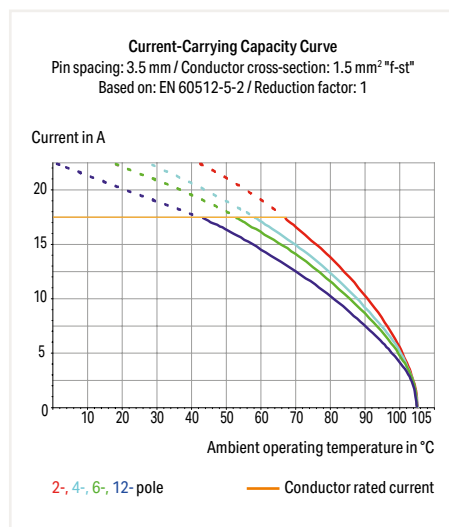
PCB terminal block ▶ 805 Series

Push-in CAGE CLAMP® ▶ Actuation type: Push-button ▶ 1.5 mm² ▶ Solder pin arrangement: Over the entire terminal strip (staggered) ▶ Pin spacing: 3.5 mm / 0.138 inch ▶ Color: gray

1



- PCB terminal strips with push-buttons and Push-in CAGE CLAMP® connection
- Push-in termination of solid and ferruled conductors
- Flush-mount push-buttons that close with minimal force for convenient termination/removal of fine-stranded conductors
- Convenient, tool-free operation
- Versions with/without test slots and spacers
- Versions available with custom internal commoning (factory assembly), e.g., commoning ground conductor



Electrical Data

Pin spacing	3.5 mm / 0.138 inch		
Ratings per	IEC/EN 60664-1		
Overvoltage category	III	III	II
Pollution degree	3	2	2
Rated voltage	250 V	320 V	630 V
Rated impulse voltage	4 kV	4 kV	4 kV
Rated current	17.5 A	17.5 A	17.5 A
Approbations per	UL 1059		
Use group	B	C	D
Rated voltage	300 V	150 V	300 V
Rated current	10 A	10 A	10 A

Connection Data

Connection technology	Push-in CAGE CLAMP®
Strip length	9 ... 10 mm / 0.35 ... 0.39 inch
Conductor connection direction to PCB	0°
Solid conductor	0.2 ... 1.5 mm ² / 24 ... 16 AWG
Fine-stranded conductor	0.2 ... 1.5 mm ² / 24 ... 16 AWG
Fine-stranded conductor; with insulated ferrule	0.25 ... 1 mm ²
Fine-stranded conductor; with uninsulated ferrule	0.25 ... 1 mm ²

Material Data

Material group	I
Insulation material	Polyamide (PA66)
Flammability class per UL94	V0
Clamping spring material	Chrome nickel spring steel (CrNi)
Contact material	Electrolytic copper (E ₀)
Contact plating	Tin-plated

Mechanical Data

Solder pin arrangement	Over the entire terminal strip (staggered)
Solder pin length	3.2 mm
Solder pin dimensions	0.5 x 0.75 mm
Drilled hole diameter with tolerance	1.1 ^(+0.1) mm

Environmental Requirements

Limit temperature range	-60 ... +105 °C
-------------------------	-----------------

Ferrule Page 879

Marking Page 864

Test and measurement Page 886

Tool Page 870

See technical section for further information

For approvals and corresponding ratings, visit www.wago.com

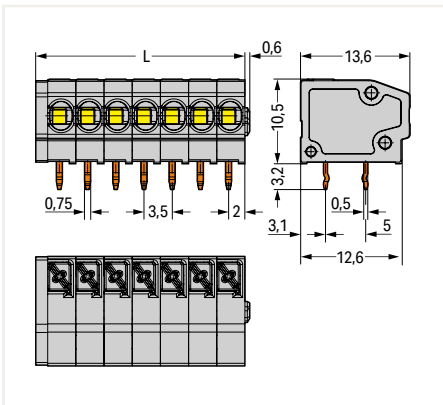
PCB terminal block ▶ 805 Series

Push-in CAGE CLAMP® ▶ Actuation type: Push-button ▶ 1.5 mm² ▶ Solder pin arrangement: Over the entire terminal strip (staggered) ▶ Pin spacing: 3.5 mm / 0.138 inch ▶ Color: gray

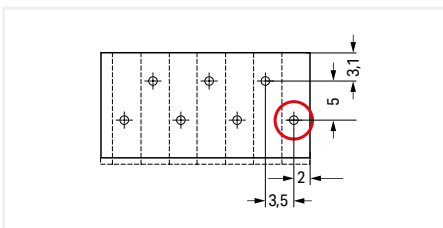


805-306

Pole No.	Item No.	PU (SPU)	Pole No.	Item No.	PU (SPU)
2	805-302	580 (145)	14	805-314	100 (25)
3	805-303	420 (105)	15	805-315	80 (20)
4	805-304	320 (80)	16	805-316	80 (20)
5	805-305	260 (65)	17	805-317	80 (20)
6	805-306	220 (55)	18	805-318	60 (15)
7	805-307	180 (45)	19	805-319	60 (15)
8	805-308	160 (40)	20	805-320	60 (15)
9	805-309	140 (35)	21	805-321	60 (15)
10	805-310	120 (30)	22	805-322	60 (15)
11	805-311	100 (25)	23	805-323	60 (15)
12	805-312	100 (25)	24	805-324	40 (10)
13	805-313	100 (25)			



$L = (\text{pole no.} \times \text{pin spacing}) + 1.5 \text{ mm}$



First solder pin, front right (red circle)

PU = Packaging Unit; SPU = Subpackaging Unit; Dimensions in mm

Other versions (or variants) can be requested from WAGO Sales or configured at <https://configurator.wago.com/>.

- Other pole numbers
- Other colors
- Mixed-color PCB connector strips
- Direct marking

PCB terminal block ▶ 805 Series

Push-in CAGE CLAMP® ▶ Actuation type: Push-button ▶ 1.5 mm² ▶ Solder pin arrangement: Over the entire terminal strip (staggered) ▶ Pin spacing: 3.5 mm / 0.138 inch ▶ Color: gray

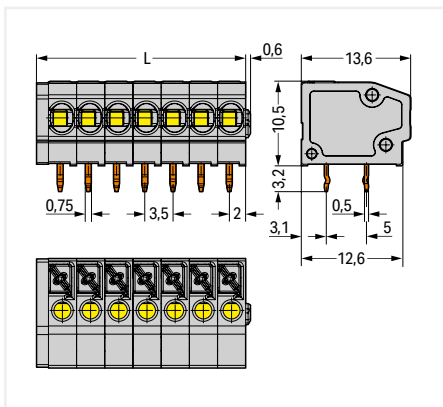
Number of test slots: 1

1

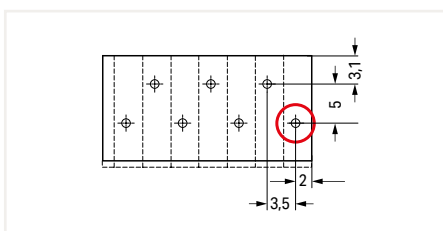


805-106

Pole No.	Item No.	PU (SPU)	Pole No.	Item No.	PU (SPU)
2	805-102	580 (145)	14	805-114	100 (25)
3	805-103	420 (105)	15	805-115	80 (20)
4	805-104	320 (80)	16	805-116	80 (20)
5	805-105	260 (65)	17	805-117	80 (20)
6	805-106	220 (55)	18	805-118	60 (15)
7	805-107	180 (45)	19	805-119	60 (15)
8	805-108	160 (40)	20	805-120	60 (15)
9	805-109	140 (35)	21	805-121	60 (15)
10	805-110	120 (30)	22	805-122	60 (15)
11	805-111	100 (25)	23	805-123	60 (15)
12	805-112	100 (25)	24	805-124	40 (10)
13	805-113	100 (25)			



$L = (\text{pole no.} \times \text{pin spacing}) + 1.5 \text{ mm}$



First solder pin, front right (red circle)

PU = Packaging Unit; SPU = Subpackaging Unit; Dimensions in mm

Other versions (or variants) can be requested from WAGO Sales or configured at <https://configurator.wago.com/>.

- Other pole numbers
- Other colors
- Mixed-color PCB connector strips
- Direct marking

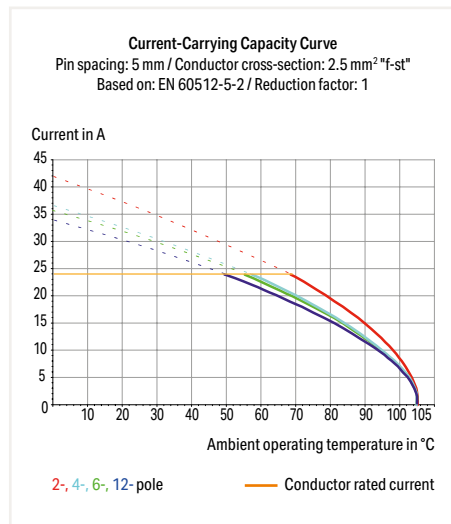
PCB terminal block ▶ 804 Series

Push-in CAGE CLAMP® ▶ 2.5 mm² ▶ Actuation type: Push-button ▶ Color: gray

1



- PCB terminal strips with push-buttons and Push-in CAGE CLAMP® connection
- Push-in termination of solid and ferruled, fine-stranded conductors
- A large conductor entry accommodates conductors with a cross-section up to 12 AWG with an insulation diameter up to 4.2 mm
- Terminal strips with spacers to increase pin spacing
- Versions available with custom internal commoning (factory assembly), e.g., commoning ground conductor

**Electrical Data**

Pin spacing	5 mm / 0.197 inch			7.5 mm / 0.295 inch		
Ratings per	IEC/EN 60664-1					
Overvoltage category	III	III	II	III	III	II
Pollution degree	3	2	2	3	2	2
Rated voltage	250 V	320 V	630 V	320 V	320 V	630 V
Rated impulse voltage	4 kV	4 kV	4 kV	4 kV	4 kV	4 kV
Rated current	24 A	24 A	24 A	24 A	24 A	24 A
Approbations per	UL 1059			UL 1059		
Use group	B	C	D	B	C	D
Rated voltage	300 V	-	300 V	300 V	-	300 V
Rated current	10 A	-	10 A	10 A	-	10 A
Approbations per	CSA			CSA		
Use group	B	C	D	B	C	D
Rated voltage	300 V	-	300 V	300 V	-	300 V
Rated current	10 A	-	10 A	10 A	-	10 A

Connection Data

Connection technology	Push-in CAGE CLAMP®
Strip length	10 ... 11 mm / 0.39 ... 0.43 inch
Conductor connection direction to PCB	0°
Solid conductor	0.25 ... 2.5 mm ² / 20 ... 12 AWG
Fine-stranded conductor	0.25 ... 2.5 mm ² / 22 ... 12 AWG
Fine-stranded conductor; with insulated ferrule	0.25 ... 1.5 mm ²
Fine-stranded conductor; with uninsulated ferrule	0.25 ... 2.5 mm ²

Material Data

Material group	I
Insulation material	Polyamide (PA66)
Flammability class per UL94	V0
Clamping spring material	Chrome nickel spring steel (CrNi)
Contact material	Electrolytic copper (E _{cu})
Contact plating	Tin-plated

Mechanical Data

Solder pin arrangement	Over the entire terminal strip (staggered)
Solder pin length	3.6 mm
Solder pin dimensions	0.8 x 0.6 mm
Drilled hole diameter with tolerance	1.1 (+0.1) mm

Environmental Requirements

Limit temperature range	-60 ... +105 °C
-------------------------	-----------------

Ferrule Page 879

Marking Page 865

Tool Page 870

See technical section for further information

For approvals and corresponding ratings, visit www.wago.com

PCB terminal block ▶ 804 Series

Push-in CAGE CLAMP® ▶ 2.5 mm² ▶ Actuation type: Push-button ▶ Color: gray

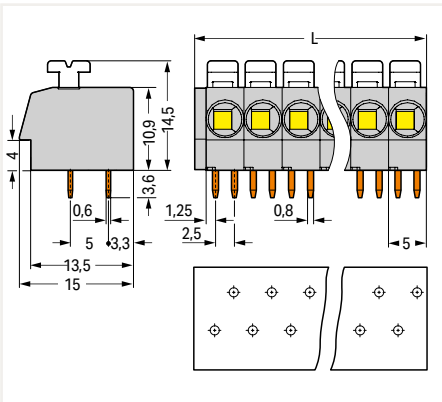
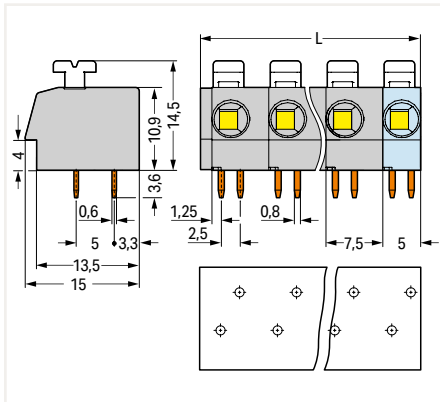
Pin spacing: 5 mm / 0.197 inch

Pin spacing: 7.5 mm / 0.295 inch



Pole No.	Item No.	PU (SPU)
2	804-102	420 (105)
3	804-103	300 (75)
4	804-104	220 (55)
5	804-105	180 (45)
6	804-106	140 (35)
7	804-107	120 (30)
8	804-108	120 (30)
9	804-109	100 (25)
10	804-110	80 (20)
11	804-111	80 (20)
12	804-112	80 (20)
13	804-113	60 (15)
14	804-114	60 (15)
15	804-115	60 (15)
16	804-116	60 (15)

Pole No.	Item No.	PU (SPU)
2	804-302	340 (85)
3	804-303	220 (55)
4	804-304	160 (40)
5	804-305	120 (30)
6	804-306	100 (25)
7	804-307	80 (20)
8	804-308	80 (20)
9	804-309	60 (15)
10	804-310	60 (15)
11	804-311	60 (15)
12	804-312	40 (10)


 $L = (\text{pole no.} \times \text{pin spacing}) + 1.5 \text{ mm}$

 $L = (\text{pole no.} - 1) \times \text{pin spacing} + 5 \text{ mm} + 1.5 \text{ mm}$

PU = Packaging Unit; SPU = Subpackaging Unit; Dimensions in mm

Other versions (or variants) can be requested from WAGO Sales or configured at <https://configurator.wago.com/>.

- Other pole numbers
- Other colors
- Mixed-color PCB connector strips
- 10 mm pin spacing version with spacers
- Direct marking
- Versions for Ex i

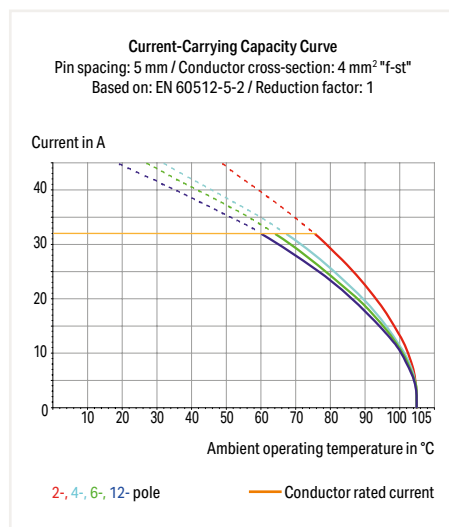
PCB terminal block ▶ 2604 Series

Push-in CAGE CLAMP® ▶ Actuation type: Lever ▶ 4 mm² ▶ Modular terminal block ▶ Pin spacing: 5 mm / 0.197 inch ▶ Color: gray

1



- PCB terminal blocks with lever-actuated Push-in CAGE CLAMP® connection
- Push-in termination of solid and ferruled conductors
- Intuitive and tool-free operation
- Several clamping units can be held open simultaneously – convenient for terminating multi-core cables
- Testing can be performed both parallel and perpendicular to conductor entry



Electrical Data			
Pin spacing	5 mm / 0.197 inch		
Ratings per	IEC/EN 60664-1		
Overvoltage category	III	III	II
Pollution degree	3	2	2
Rated voltage	320 V	400 V	630 V
Rated impulse voltage	4 kV	4 kV	4 kV
Rated current	32 A	32 A	32 A
Approbations per	UL 1059		
Use group	B	C	D
Rated voltage	300 V	-	300 V
Rated current	20 A	-	10 A
Approbations per	CSA		
Use group	B	C	D
Rated voltage	300 V	-	300 V
Rated current	20 A	-	5 A

Connection Data	
Connection technology	Push-in CAGE CLAMP®
Strip length	9 ... 11 mm / 0.35 ... 0.43 inch
Solid conductor	0.2 ... 4 mm ² / 24 ... 12 AWG
Fine-stranded conductor	0.2 ... 4 mm ² / 24 ... 12 AWG
Fine-stranded conductor; with insulated ferrule	0.25 ... 2.5 mm ²
Fine-stranded conductor; with uninsulated ferrule	0.25 ... 2.5 mm ²
Fine-stranded conductor; with twin ferrule	0.25 ... 1.5 mm ²

Material Data	
Material group	I
Insulation material	Polyamide (PA66)
Flammability class per UL94	V0
Clamping spring material	Chrome nickel spring steel (CrNi)
Contact material	Electrolytic copper (E _{cu})
Contact plating	Tin-plated

Mechanical Data	
Solder pin arrangement	Within the terminal block (in-line)
Solder pin length	4 mm
Solder pin dimensions	0.8 x 1 mm
Drilled hole diameter with tolerance	1.3 ^(+0.1) mm

Environmental Requirements	
Limit temperature range	-60 ... +105 °C

Ferrule Page 879

See technical section for further information

For approvals and corresponding ratings, visit www.wago.com

PCB terminal block ▶ 2604 Series

Push-in CAGE CLAMP® ▶ Actuation type: Lever ▶ 4 mm² ▶ Modular terminal block ▶ Pin spacing: 5 mm / 0.197 inch ▶ Color: gray

Conductor connection direction to PCB: 0°

Conductor connection direction to PCB: 90°



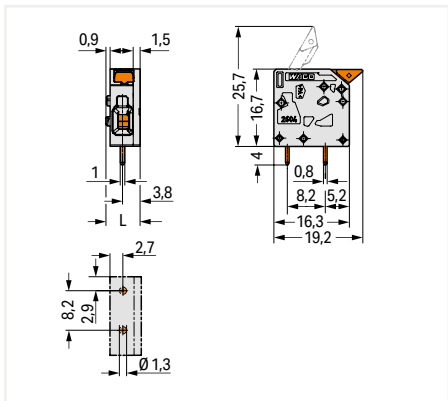
2604-1101



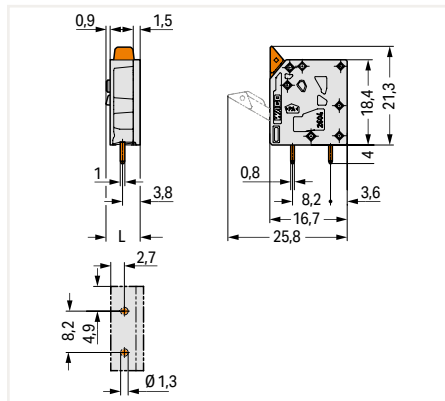
2604-3101

Color	Item No.	PU
● gray	2604-1101	300

Color	Item No.	PU
● gray	2604-3101	250



L = 7.4 mm



L = 7.4 mm

PU = Packaging Unit; SPU = Subpackaging Unit; Dimensions in mm

Other versions (or variants) can be requested from WAGO Sales or configured at <https://configurator.wago.com/>.

- Other pole numbers
- Direct marking
- Other colors

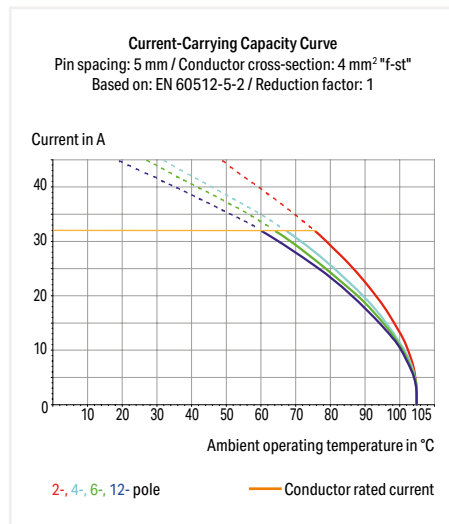
PCB terminal block ▶ 2604 Series

Push-in CAGE CLAMP® ▶ Actuation type: Lever ▶ 4 mm² ▶ Terminal strip ▶ Color: gray

1



- PCB terminal blocks with levers and Push-in CAGE CLAMP® connection
- Push-in termination of solid and ferruled conductors
- Intuitive and tool-free operation
- Several clamping units can be held open simultaneously – convenient for terminating multi-core cables
- Testing can be performed both parallel and perpendicular to conductor entry



Electrical Data

Pin spacing	5 mm / 0.197 inch			7.5 mm / 0.295 inch			11.5 mm / 0.453 inch		
Ratings per	IEC/EN 60664-1								
Overvoltage category	III	III	II	III	III	II	III	III	II
Pollution degree	3	2	2	3	2	2	3	2	2
Rated voltage	320 V	400 V	630 V	630 V	1000 V	1000 V	1000 V	1000 V	1000 V
Rated impulse voltage	4 kV	4 kV	4 kV	6 kV	6 kV	6 kV	8 kV	8 kV	8 kV
Rated current	32 A	32 A	32 A	32 A	32 A	32 A	32 A	32 A	32 A
Approbations per	UL 1059			UL 1059			UL 1059		
Use group	B	C	D	B	C	D	B	C	D
Rated voltage	300 V	-	300 V	300 V	300 V	600 V	600 V	600 V	-
Rated current	20 A	-	10 A	20 A	20 A	5 A	20 A	20 A	-
Approbations per	CSA			CSA			CSA		
Use group	B	C	D	B	C	D	B	C	D
Rated voltage	300 V	-	300 V	300 V	300 V	600 V	600 V	300 V	-
Rated current	20 A	-	5 A	20 A	20 A	5 A	20 A	20 A	-

Connection Data

Connection technology	Push-in CAGE CLAMP®
Strip length	9 ... 11 mm / 0.35 ... 0.43 inch
Solid conductor	0.2 ... 4 mm ² / 24 ... 12 AWG
Fine-stranded conductor	0.2 ... 4 mm ² / 24 ... 12 AWG
Fine-stranded conductor; with insulated ferrule	0.25 ... 2.5 mm ²
Fine-stranded conductor; with uninsulated ferrule	0.25 ... 2.5 mm ²
Fine-stranded conductor; with twin ferrule	0.25 ... 1.5 mm ²

Material Data

Material group	I
Insulation material	Polyamide (PA66)
Flammability class per UL94	V0
Clamping spring material	Chrome nickel spring steel (CrNi)
Contact material	Electrolytic copper (E _{cu})
Contact plating	Tin-plated

Mechanical Data

Solder pin arrangement	Over the entire terminal strip (in-line)
Solder pin length	4 mm
Solder pin dimensions	0.8 x 1 mm
Drilled hole diameter with tolerance	1.3 ^(+0.1) mm

Environmental Requirements

Limit temperature range	-60 ... +105 °C
-------------------------	-----------------

Ferrule Page 879

See technical section for further information

For approvals and corresponding ratings, visit www.wago.com

PCB terminal block ▶ 2604 Series

Push-in CAGE CLAMP® ▶ Actuation type: Lever ▶ 4 mm² ▶ Terminal strip ▶ Color: gray

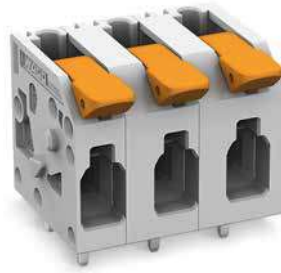
Conductor connection direction to PCB: 0° ▶ Pin spacing: 5 mm / 0.197 inch

Conductor connection direction to PCB: 0° ▶ Pin spacing: 7.5 mm / 0.295 inch

Conductor connection direction to PCB: 0° ▶ Pin spacing: 11.5 mm / 0.453 inch



2604-1103



2604-1303

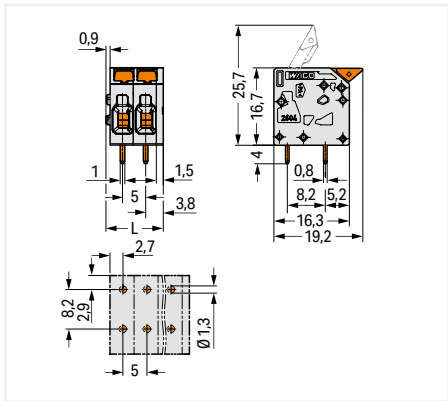


2604-1503

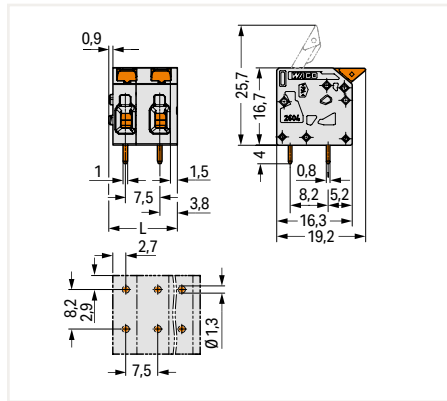
Pole No.	Item No.	PU
2	2604-1102	200
3	2604-1103	130
4	2604-1104	100
5	2604-1105	80
6	2604-1106	60
7	2604-1107	60
8	2604-1108	50
9	2604-1109	40
10	2604-1110	40
11	2604-1111	30
12	2604-1112	30

Pole No.	Item No.	PU
2	2604-1302	150
3	2604-1303	100
4	2604-1304	70
5	2604-1305	60
6	2604-1306	45
7	2604-1307	40
8	2604-1308	35
9	2604-1309	30
10	2604-1310	25
11	2604-1311	25
12	2604-1312	25

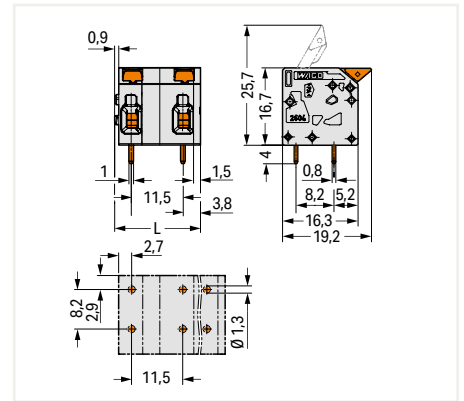
Pole No.	Item No.	PU
2	2604-1502	130
3	2604-1503	70
4	2604-1504	50
5	2604-1505	40
6	2604-1506	30
7	2604-1507	25
8	2604-1508	25
9	2604-1509	25
10	2604-1510	20
11	2604-1511	20
12	2604-1512	15



$L = (\text{pole no.} - 1) \times \text{pin spacing} + 7.4 \text{ mm}$



$L = (\text{pole no.} - 1) \times \text{pin spacing} + 7.4 \text{ mm}$



$L = (\text{pole no.} - 1) \times \text{pin spacing} + 7.4 \text{ mm}$

PU = Packaging Unit; SPU = Subpackaging Unit; Dimensions in mm

Other versions (or variants) can be requested from WAGO Sales or configured at <https://configurator.wago.com/>.

- Other pole numbers
- Direct marking
- Other colors

PCB terminal block ▶ 2604 Series

Push-in CAGE CLAMP® ▶ Actuation type: Lever ▶ 4 mm² ▶ Terminal strip ▶ Color: gray

Conductor connection direction to PCB: 90° ▶ Pin spacing: 5 mm / 0.197 inch

Conductor connection direction to PCB: 90° ▶ Pin spacing: 7.5 mm / 0.295 inch

Conductor connection direction to PCB: 90° ▶ Pin spacing: 11.5 mm / 0.453 inch

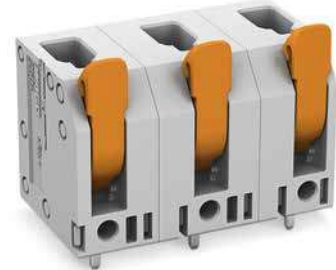
1



2604-3103



2604-3303

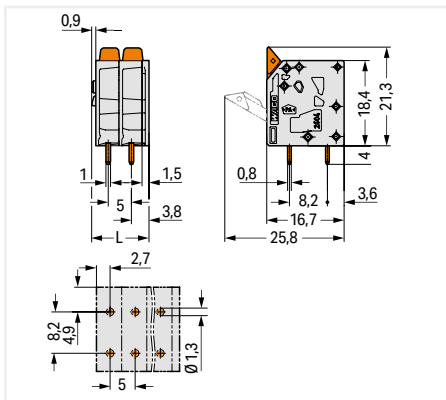


2604-3503

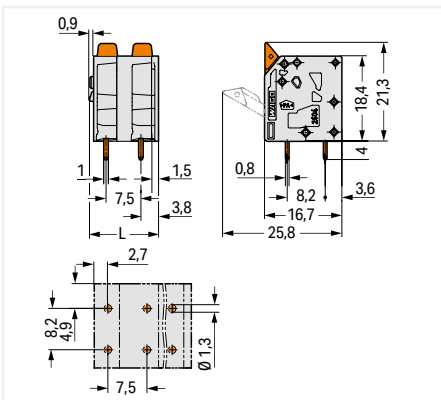
Pole No.	Item No.	PU
2	2604-3102	180
3	2604-3103	120
4	2604-3104	90
5	2604-3105	70
6	2604-3106	50
7	2604-3107	50
8	2604-3108	40
9	2604-3109	40
10	2604-3110	30
11	2604-3111	30
12	2604-3112	30

Pole No.	Item No.	PU
2	2604-3302	150
3	2604-3303	100
4	2604-3304	70
5	2604-3305	50
6	2604-3306	45
7	2604-3307	40
8	2604-3308	30
9	2604-3309	30
10	2604-3310	25
11	2604-3311	25
12	2604-3312	25

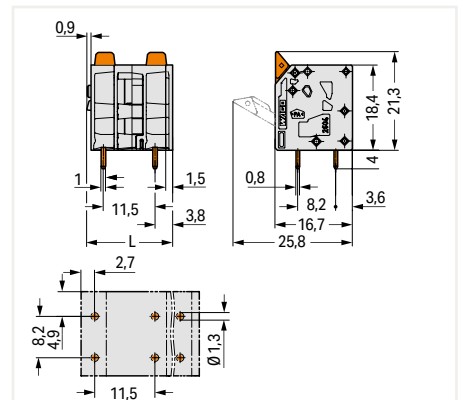
Pole No.	Item No.	PU
2	2604-3502	120
3	2604-3503	70
4	2604-3504	50
5	2604-3505	40
6	2604-3506	30
7	2604-3507	25
8	2604-3508	25
9	2604-3509	25
10	2604-3510	20
11	2604-3511	20
12	2604-3512	15



L = (pole no. - 1) x pin spacing + 7.4 mm



L = (pole no. - 1) x pin spacing + 7.4 mm



L = (pole no. - 1) x pin spacing + 7.4 mm

PU = Packaging Unit; SPU = Subpackaging Unit; Dimensions in mm

Other versions (or variants) can be requested from WAGO Sales or configured at <https://configurator.wago.com/>.

- Other pole numbers
- Direct marking
- Other colors

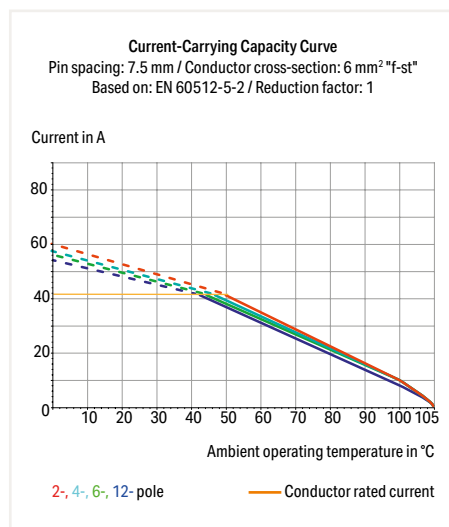
PCB terminal block ▶ 2606 Series

Push-in CAGE CLAMP® ▶ Actuation type: Lever ▶ 10 mm² ▶ Modular terminal block ▶ Pin spacing: 7.5 mm / 0.295 inch ▶ Color: gray

1



- PCB terminal blocks with lever-actuated Push-in CAGE CLAMP® connection
- Push-in termination of solid and ferruled conductors
- Intuitive and tool-free operation
- Several clamping units can be held open simultaneously – convenient for terminating multi-core cables
- Testing can be performed both parallel and perpendicular to conductor entry



Electrical Data

Pin spacing	7.5 mm / 0.295 inch		
Ratings per	IEC/EN 60664-1		
Overvoltage category	III	III	II
Pollution degree	3	2	2
Rated voltage	800 V	1000 V	1000 V
Rated impulse voltage	8 kV	8 kV	8 kV
Rated current	41 A	41 A	41 A
Approbations per	CSA		
Use group	B	C	D
Rated voltage	600 V	1000 V	-
Rated current	31 A	31 A	-

Connection Data

Connection technology	Push-in CAGE CLAMP®
Strip length	11 ... 13 mm / 0.43 ... 0.51 inch
Solid conductor	0.2 ... 10 mm ² / 24 ... 8 AWG
Fine-stranded conductor	0.2 ... 10 mm ² / 24 ... 8 AWG
Fine-stranded conductor; with insulated ferrule	0.25 ... 6 mm ²
Fine-stranded conductor; with uninsulated ferrule	0.25 ... 6 mm ²
Fine-stranded conductor; with twin ferrule	0.25 ... 2.5 mm ²

Material Data

Material group	I
Insulation material	Polyamide (PA66)
Flammability class per UL94	V0
Clamping spring material	Chrome nickel spring steel (CrNi)
Contact material	Electrolytic copper (E _{cu})
Contact plating	Tin-plated

Mechanical Data

Solder pin arrangement	Within the terminal block (in-line)
Solder pin length	4 mm
Solder pin dimensions	1.5 x 1.2 mm
Drilled hole diameter with tolerance	2 ^(+0.1) mm

Environmental Requirements

Limit temperature range	-60 ... +105 °C
-------------------------	-----------------

Ferrule Page 879

See technical section for further information

For approvals and corresponding ratings, visit www.wago.com

PCB terminal block ▶ 2606 Series

Push-in CAGE CLAMP® ▶ Actuation type: Lever ▶ 10 mm² ▶ Modular terminal block ▶ Pin spacing: 7.5 mm / 0.295 inch ▶ Color: gray

Conductor connection direction to PCB: 0°

Conductor connection direction to PCB: 90°



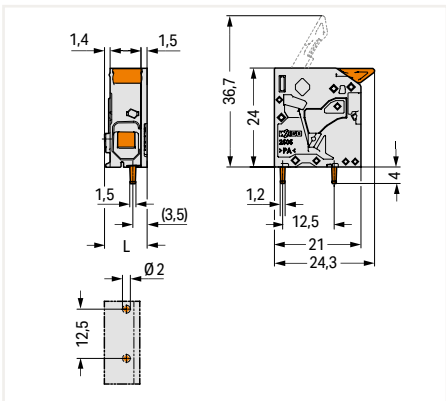
2606-1101



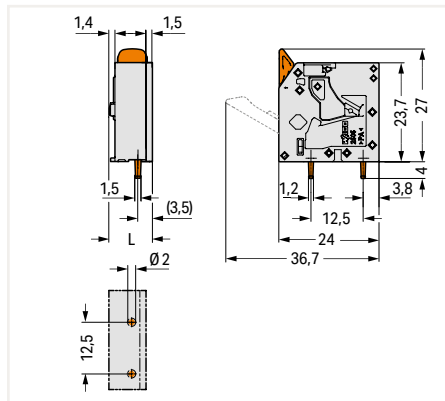
2606-3101

Color	Item No.	PU
● gray	2606-1101	200

Color	Item No.	PU
● gray	2606-3101	200



L = 10.35 mm



L = 10.35 mm

PU = Packaging Unit; SPU = Subpackaging Unit; Dimensions in mm

Other versions (or variants) can be requested from WAGO Sales or configured at <https://configurator.wago.com/>.

- Other pole numbers
- Direct marking
- Other colors

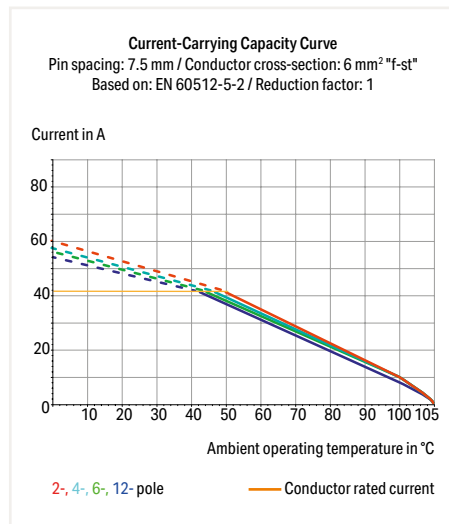
PCB terminal block ▶ 2606 Series

Push-in CAGE CLAMP® ▶ Actuation type: Lever ▶ 10 mm² ▶ Terminal strip ▶ Color: gray

1



- PCB terminal blocks with levers and Push-in CAGE CLAMP® connection
- Push-in termination of solid and ferruled conductors
- Intuitive and tool-free operation
- Several clamping units can be held open simultaneously – convenient for terminating multi-core cables
- Testing can be performed both parallel and perpendicular to conductor entry



Electrical Data						
Pin spacing	7.5 mm / 0.295 inch			12.5 mm / 0.492 inch		
Ratings per	IEC/EN 60664-1					
Overvoltage category	III	III	II	III	III	II
Pollution degree	3	2	2	3	2	2
Rated voltage	800 V	1000 V	1000 V	800 V	1000 V	1000 V
Rated impulse voltage	8 kV	8 kV	8 kV	8 kV	8 kV	8 kV
Rated current	41 A	41 A	41 A	41 A	41 A	41 A
Approbations per	UL 1059			UL 1059		
Use group	B	C	D	B	C	D
Rated voltage	600 V	600 V	-	600 V	600 V	-
Rated current	31 A	31 A	-	42 A	42 A	-
Approbations per	CSA			CSA		
Use group	B	C	D	B	C	D
Rated voltage	600 V	600 V	-	600 V	600 V	-
Rated current	31 A	31 A	-	31 A	31 A	-

Connection Data	
Connection technology	Push-in CAGE CLAMP®
Strip length	11 ... 13 mm / 0.43 ... 0.51 inch
Solid conductor	0.2 ... 10 mm ² / 24 ... 8 AWG
Fine-stranded conductor	0.2 ... 10 mm ² / 24 ... 8 AWG
Fine-stranded conductor; with insulated ferrule	0.25 ... 6 mm ²
Fine-stranded conductor; with uninsulated ferrule	0.25 ... 6 mm ²
Fine-stranded conductor; with twin ferrule	0.25 ... 2.5 mm ²

Material Data	
Material group	I
Insulation material	Polyamide (PA66)
Flammability class per UL94	V0
Clamping spring material	Chrome nickel spring steel (CrNi)
Contact material	Electrolytic copper (E _{cu})
Contact plating	Tin-plated

Mechanical Data	
Solder pin length	4 mm
Solder pin dimensions	1.5 x 1.2 mm
Drilled hole diameter with tolerance	2 ^(+0.1) mm

Environmental Requirements	
Limit temperature range	-60 ... +105 °C

Ferrule Page 879

See technical section for further information

For approvals and corresponding ratings, visit www.wago.com

PCB terminal block ▶ 2606 Series

Push-in CAGE CLAMP® ▶ Actuation type: Lever ▶ 10 mm² ▶ Terminal strip ▶ Color: gray

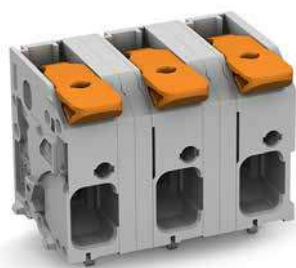
Conductor connection direction to PCB: 0° ▶ Pin spacing: 7.5 mm / 0.295 inch

Conductor connection direction to PCB: 0° ▶ Pin spacing: 12.5 mm / 0.492 inch

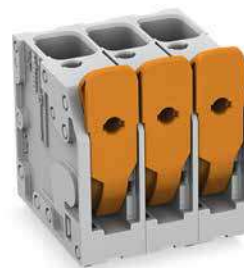
Conductor connection direction to PCB: 90° ▶ Pin spacing: 7.5 mm / 0.295 inch



2606-1103/020-000



2606-1353

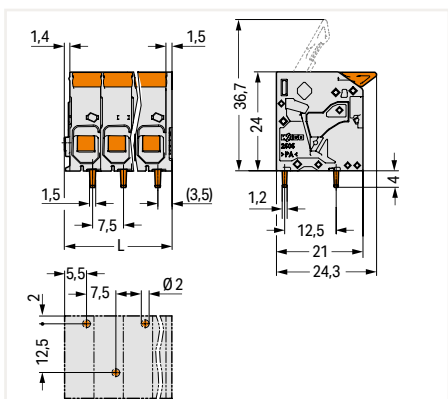


2606-3103/020-000

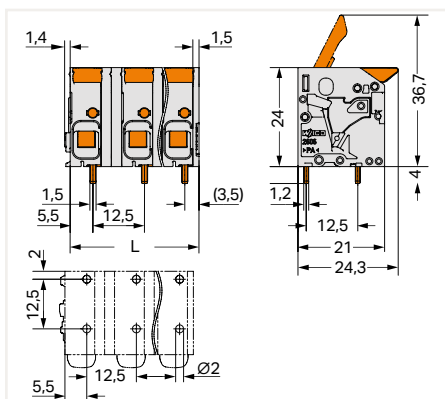
Pole No.	Item No.	PU
2	2606-1102/020-000	120
3	2606-1103/020-000	80
4	2606-1104/020-000	60
5	2606-1105/020-000	50
6	2606-1106/020-000	40
7	2606-1107/020-000	35
8	2606-1108/020-000	30
9	2606-1109/020-000	25
10	2606-1110/020-000	25
11	2606-1111/020-000	25
12	2606-1112/020-000	25

Pole No.	Item No.	PU
2	2606-1352	80
3	2606-1353	58
4	2606-1354	44
5	2606-1355	40
6	2606-1356	34
7	2606-1357	26
8	2606-1358	24
9	2606-1359	24
10	2606-1360	24
11	2606-1361	15
12	2606-1362	12

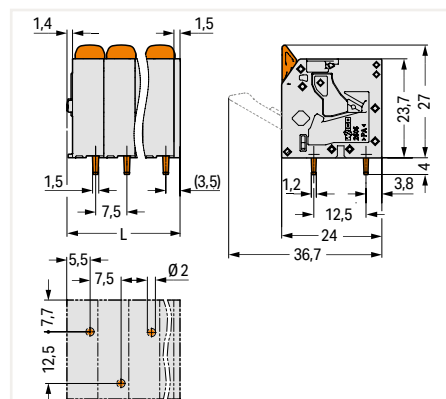
Pole No.	Item No.	PU
2	2606-3102/020-000	120
3	2606-3103/020-000	80
4	2606-3104/020-000	60
5	2606-3105/020-000	50
6	2606-3106/020-000	40
7	2606-3107/020-000	35
8	2606-3108/020-000	30
9	2606-3109/020-000	25
10	2606-3110/020-000	25
11	2606-3111/020-000	25
12	2606-3112/020-000	25



L = (pole no. - 1) x pin spacing + 10.35 mm



L = (pole no. - 1) x pin spacing + 9 mm



L = (pole no. - 1) x pin spacing + 10.35 mm

PU = Packaging Unit; SPU = Subpackaging Unit; Dimensions in mm

Other versions (or variants) can be requested from WAGO Sales or configured at <https://configurator.wago.com/>.

- Other pole numbers
- Direct marking
- Other colors

PCB terminal block ▶ 2606 Series

Push-in CAGE CLAMP® ▶ Actuation type: Lever ▶ 10 mm² ▶ Terminal strip ▶ Color: gray

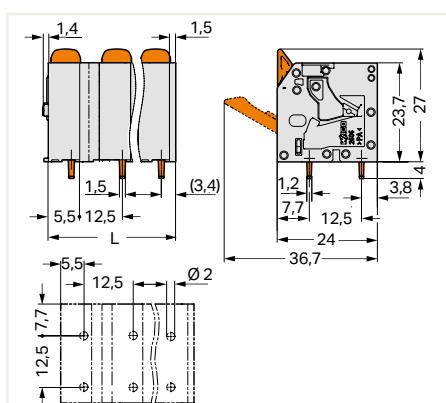
Conductor connection direction to PCB: 90° ▶ Pin spacing: 12.5 mm / 0.492 inch

1



2606-3353

Pole No.	Item No.	PU
2	2606-3352	80
3	2606-3353	58
4	2606-3354	44
5	2606-3355	40
6	2606-3356	26
7	2606-3357	26
8	2606-3358	22
9	2606-3359	22
10	2606-3360	22
11	2606-3361	15
12	2606-3362	12



L = (pole no. - 1) x pin spacing + 9 mm

PU = Packaging Unit; SPU = Subpackaging Unit; Dimensions in mm

Other versions (or variants) can be requested from WAGO Sales or configured at <https://configurator.wago.com/>.

- Other pole numbers
- Direct marking
- Other colors

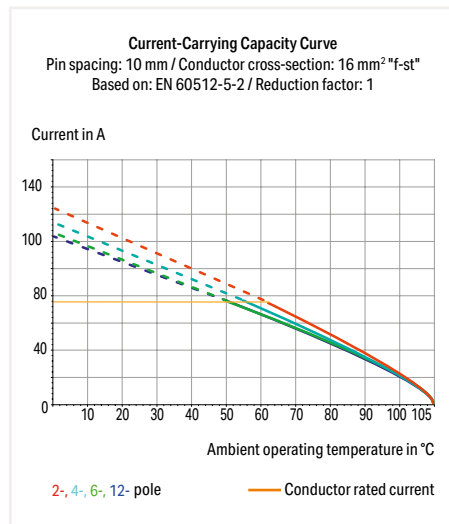
PCB terminal block ▶ 2616 Series

Push-in CAGE CLAMP® ▶ Actuation type: Lever ▶ 16 mm² ▶ Modular terminal block ▶ Pin spacing: 10 mm / 0.394 inch ▶ Color: gray

1



- PCB terminal blocks with lever-actuated Push-in CAGE CLAMP® connection
- Push-in termination of solid and ferruled conductors
- Intuitive and tool-free operation
- Several clamping units can be held open simultaneously – convenient for terminating multi-core cables
- Testing can be performed both parallel and perpendicular to conductor entry



Electrical Data

Pin spacing	10 mm / 0.394 inch		
Ratings per	IEC/EN 60664-1		
Overvoltage category	III	III	II
Pollution degree	3	2	2
Rated voltage	1000 V	1000 V	1000 V
Rated impulse voltage	8 kV	8 kV	8 kV
Rated current	76 A	76 A	76 A
Approbations per	CSA		
Use group	B	C	D
Rated voltage	600 V	1000 V	-
Rated current	72 A	72 A	-

Connection Data

Connection technology	Push-in CAGE CLAMP®
Strip length	18 ... 20 mm / 0.71 ... 0.79 inch
Solid conductor	0.75 ... 16 mm ² / 18 ... 4 AWG
Fine-stranded conductor	0.75 ... 25 mm ² / 18 ... 4 AWG
Fine-stranded conductor; with insulated ferrule	0.75 ... 16 mm ²
Fine-stranded conductor; with uninsulated ferrule	0.75 ... 16 mm ²
Fine-stranded conductor; with twin ferrule	0.75 ... 6 mm ²

Material Data

Material group	I
Insulation material	Polyamide (PA66)
Flammability class per UL94	V0
Clamping spring material	Chrome nickel spring steel (CrNi)
Contact material	Electrolytic copper (E ₀)
Contact plating	Tin-plated

Mechanical Data

Solder pin arrangement	Within the terminal block (in-line)
Solder pin length	4 mm
Solder pin dimensions	1.2 x 1.2 mm
Drilled hole diameter with tolerance	1.7 ^(+0.1) mm

Environmental Requirements

Limit temperature range	-60 ... +105 °C
-------------------------	-----------------

Ferrule Page 879

See technical section for further information

For approvals and corresponding ratings, visit www.wago.com

PCB terminal block ▶ 2616 Series

Push-in CAGE CLAMP® ▶ Actuation type: Lever ▶ 16 mm² ▶ Modular terminal block ▶ Pin spacing: 10 mm / 0.394 inch ▶ Color: gray

Conductor connection direction to PCB: 0°

Conductor connection direction to PCB: 90°



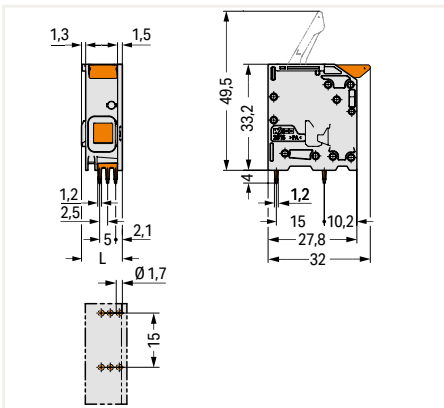
2616-1101



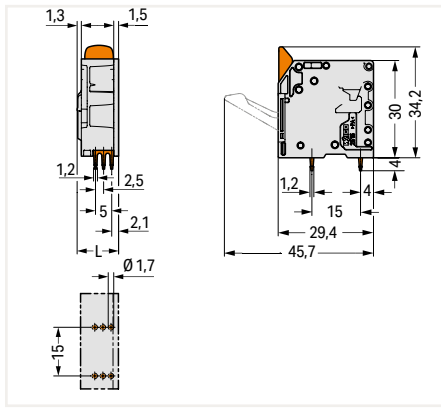
2616-3101

Color	Item No.	PU
● gray	2616-1101	100

Color	Item No.	PU
● gray	2616-3101	100



L = 12.8 mm



L = 12.8 mm

PU = Packaging Unit; SPU = Subpackaging Unit; Dimensions in mm

Other versions (or variants) can be requested from WAGO Sales or configured at <https://configurator.wago.com/>.

- Other pole numbers
- Direct marking
- Other colors

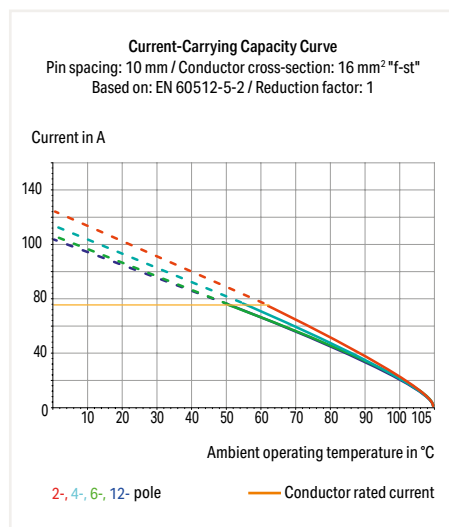
PCB terminal block ▶ 2616 Series

Push-in CAGE CLAMP® ▶ Actuation type: Lever ▶ 16 mm² ▶ Terminal strip ▶ Color: gray

1



- PCB terminal blocks with levers and Push-in CAGE CLAMP® connection
- Push-in termination of solid and ferruled conductors
- Intuitive and tool-free operation
- Several clamping units can be held open simultaneously – convenient for terminating multi-core cables
- Testing can be performed both parallel and perpendicular to conductor entry

**Electrical Data**

Conductor connection direction to PCB	0°			0°;90°			90°		
Pin spacing	10 mm / 0.394 inch			15 mm / 0.591 inch			10 mm / 0.394 inch		
Ratings per	IEC/EN 60664-1			IEC/EN 60664-1			IEC/EN 60664-1		
Overvoltage category	III	III	II	III	III	II	III	III	II
Pollution degree	3	2	2	3	2	2	3	2	2
Rated voltage	1000 V	1000 V	1000 V	800 V	1000 V	1000 V	1000 V	1000 V	1000 V
Rated impulse voltage	8 kV	8 kV	8 kV	8 kV	8 kV	8 kV	8 kV	8 kV	8 kV
Rated current	76 A	76 A	76 A	76 A	76 A	76 A	76 A	76 A	76 A

Approbations per	UL 1059			UL 1059			UL 1059		
Use group	B	C	D	B	C	D	B	C	D
Rated voltage	600 V	600 V	-	300 V	300 V	600 V	600 V	600 V	-
Rated current	66 A	66 A	-	78 A	78 A	5 A	66 A	66 A	-

Approbations per	CSA			CSA			CSA		
Use group	B	C	D	B	C	D	B	C	D
Rated voltage	600 V	600 V	-	300 V	300 V	600 V	600 V	600 V	-
Rated current	66 A	66 A	-	72 A	72 A	72 A	72 A	72 A	-

Connection Data

Connection technology	Push-in CAGE CLAMP®
Strip length	18 ... 20 mm / 0.71 ... 0.79 inch
Solid conductor	0.75 ... 16 mm ² / 18 ... 4 AWG
Fine-stranded conductor	0.75 ... 25 mm ² / 18 ... 4 AWG
Fine-stranded conductor; with insulated ferrule	0.75 ... 16 mm ²
Fine-stranded conductor; with uninsulated ferrule	0.75 ... 16 mm ²
Fine-stranded conductor; with twin ferrule	0.75 ... 6 mm ²

Material Data

Material group	I
Insulation material	Polyamide (PA66)
Flammability class per UL94	V0
Clamping spring material	Chrome nickel spring steel (CrNi)
Contact material	Electrolytic copper (E _{cu})
Contact plating	Tin-plated

Mechanical Data

Solder pin length	4 mm
Solder pin dimensions	1.2 x 1.2 mm
Drilled hole diameter with tolerance	1.7 ^(+0.1) mm

Environmental Requirements

Limit temperature range	-60 ... +105 °C
-------------------------	-----------------

Ferrule Page 879

See technical section for further information

For approvals and corresponding ratings, visit www.wago.com

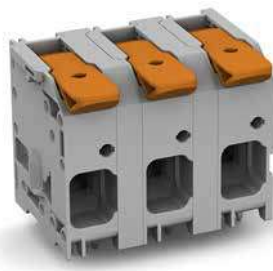
PCB terminal block ▶ 2616 Series

Push-in CAGE CLAMP® ▶ Actuation type: Lever ▶ 16 mm² ▶ Terminal strip ▶ Color: gray

Conductor connection direction to PCB: 0° ▶ Pin spacing: 10 mm / 0.394 inch

Conductor connection direction to PCB: 0° ▶ Pin spacing: 15 mm / 0.591 inch

Conductor connection direction to PCB: 90° ▶ Pin spacing: 10 mm / 0.394 inch



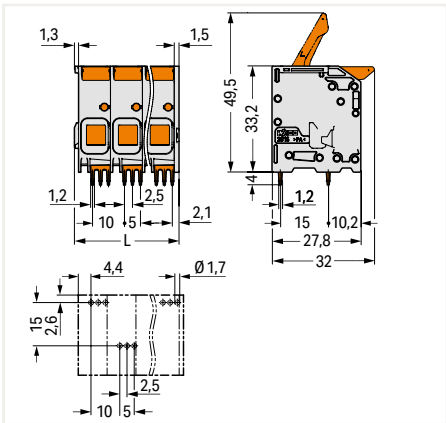
2616-1353

2616-3103/020-000

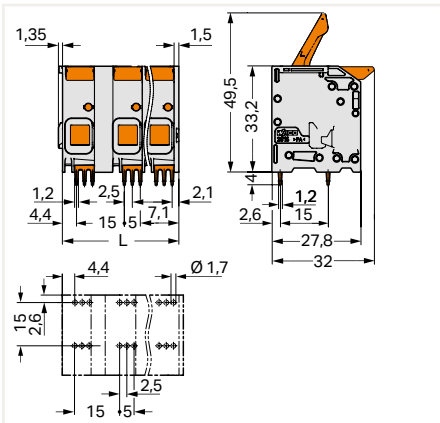
Pole No.	Item No.	PU
2	2616-1102/020-000	50
3	2616-1103/020-000	40
4	2616-1104/020-000	25
5	2616-1105/020-000	25
6	2616-1106/020-000	20
7	2616-1107/020-000	20
8	2616-1108/020-000	15
9	2616-1109/020-000	15
10	2616-1110/020-000	15
11	2616-1111/020-000	10
12	2616-1112/020-000	10

Pole No.	Item No.	PU
2	2616-1352	44
3	2616-1353	28
4	2616-1354	28
5	2616-1355	20
6	2616-1356	18
7	2616-1357	14
8	2616-1358	14

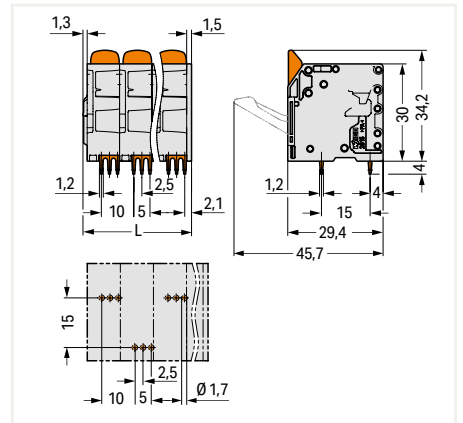
Pole No.	Item No.	PU
2	2616-3102/020-000	50
3	2616-3103/020-000	40
4	2616-3104/020-000	25
5	2616-3105/020-000	25
6	2616-3106/020-000	20
7	2616-3107/020-000	20
8	2616-3108/020-000	15
9	2616-3109/020-000	15
10	2616-3110/020-000	15
11	2616-3111/020-000	10
12	2616-3112/020-000	10



L = (pole no. - 1) x pin spacing + 12.8 mm



L = (pole no. - 1) x pin spacing + 11.5 mm



L = (pole no. - 1) x pin spacing + 12.8 mm

PU = Packaging Unit; SPU = Subpackaging Unit; Dimensions in mm

Other versions (or variants) can be requested from WAGO Sales or configured at <https://configurator.wago.com/>.

- Other pole numbers
- Direct marking
- Other colors

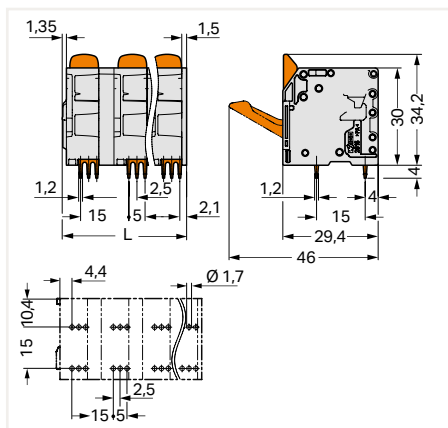
PCB terminal block ▶ 2616 Series**Push-in CAGE CLAMP® ▶ Actuation type: Lever ▶ 16 mm² ▶ Terminal strip ▶ Color: gray**

Conductor connection direction to PCB: 90° ▶ Pin spacing: 15 mm / 0.591 inch

1

2616-3353

Pole No.	Item No.	PU
2	2616-3352	44
3	2616-3353	30
4	2616-3354	28
5	2616-3355	20
6	2616-3356	18
7	2616-3357	14
8	2616-3358	14



L = (pole no. - 1) x pin spacing + 11.5 mm

PU = Packaging Unit; SPU = Subpackaging Unit

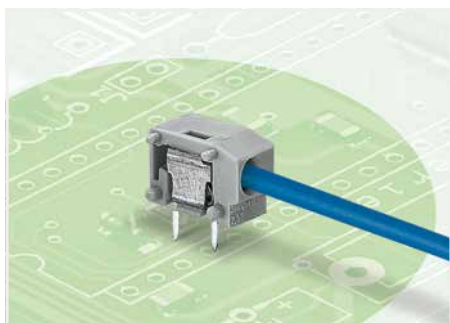
Other versions (or variants) can be requested from WAGO Sales or configured at <https://configurator.wago.com/>.

- Other pole numbers
- Direct marking
- Other colors

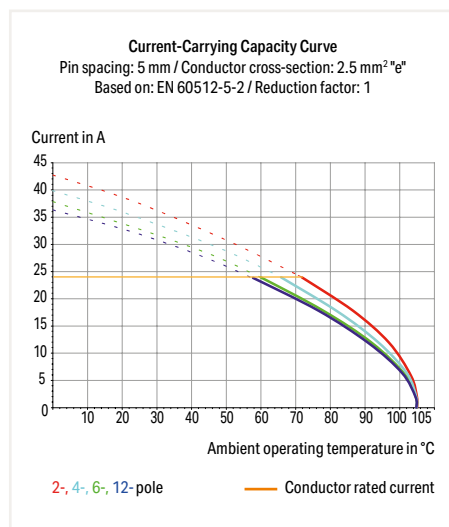
Stackable PCB terminal block ▶ 235 Series

PUSH WIRE® ▶ Actuation type: Operating tool ▶ 2.5 mm²

1



- Low-profile modular PCB terminal blocks with PUSH WIRE® connection for custom terminal strip assemblies
- Push-in termination of solid conductors
- Double solder pins for high mechanical stability
- Conductor removal via screwdriver (2.5 mm blade width)
- Set to metric or inch pin spacing by compressing PCB terminal strips or pulling them apart
- Also available with a test slot



Electrical Data									
Pin spacing	5/5.08 mm / 0.197/0.2 inch			7.5/7.62 mm / 0.295/0.3 inch			10/10.16 mm / 0.394/0.4 inch		
Ratings per	IEC/EN 60664-1			IEC/EN 60664-1			IEC/EN 60664-1		
Overtoltage category	III	III	II	III	III	II	III	III	II
Pollution degree	3	2	2	3	2	2	3	2	2
Rated voltage	250 V	320 V	630 V	400 V	630 V	1000 V	630 V	1000 V	1000 V
Rated impulse voltage	4 kV	4 kV	4 kV	6 kV	6 kV	6 kV	8 kV	8 kV	8 kV
Rated current	24 A	24 A	24 A	24 A	24 A	24 A	24 A	24 A	24 A
Approbations per	UL 1059			UL 1059			UL 1059		
Use group	B	C	D	B	C	D	B	C	D
Rated voltage	300 V	-	300 V	300 V	-	300 V	300 V	-	300 V
Rated current	10 A	-	10 A	10 A	-	10 A	10 A	-	10 A
Approbations per	CSA			CSA			CSA		
Use group	B	C	D	B	C	D	B	C	D
Rated voltage	300 V	-	-	300 V	-	-	300 V	-	-
Rated current	15 A	-	-	15 A	-	-	15 A	-	-

Connection Data	
Connection technology	PUSH WIRE®
Strip length	9 ... 10 mm / 0.35 ... 0.39 inch
Conductor connection direction to PCB	0°
Solid conductor	0.5 ... 2.5 mm ² / 20 ... 14 AWG
Fine-stranded conductor; with insulated ferrule	0.25 ... 1.5 mm ²
Fine-stranded conductor; with uninsulated ferrule	0.25 ... 1.5 mm ²

Material Data	
Material group	I
Insulation material	Polyamide (PA66)
Flammability class per UL94	V0
Clamping spring material	Chrome nickel spring steel (CrNi)
Contact material	Electrolytic copper (E _{cu})
Contact plating	Tin-plated

Mechanical Data	
Solder pin length	3.6 mm
Solder pin dimensions	0.8 x 0.4 mm
Drilled hole diameter with tolerance	1 ^(+0.1) mm

Environmental Requirements	
Limit temperature range	-60 ... +105 °C

Ferrule Page 879

Marking Page 865

Tool Page 870

See technical section for further information

For approvals and corresponding ratings, visit www.wago.com

Stackable PCB terminal block ▶ 235 Series

PUSH WIRE® ▶ Actuation type: Operating tool ▶ 2.5 mm²

Pin spacing: 5/5.08 mm / 0.197/0.2 inch

Pin spacing: 7.5/7.62 mm / 0.295/0.3 inch

Pin spacing: 10/10.16 mm / 0.394/0.4 inch



235-401

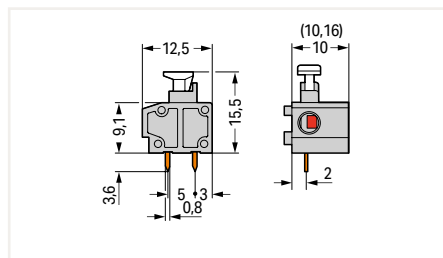
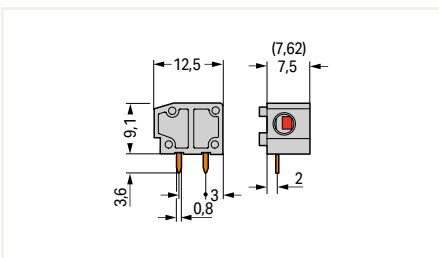
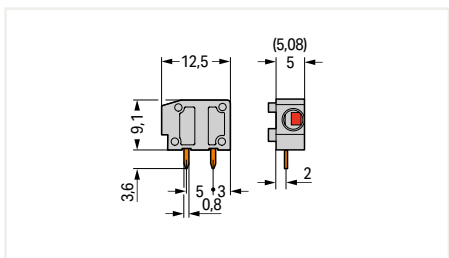
235-501

235-801

Color	Item No.	PU (SPU)
gray	235-401	800 (100)
blue	235-744	800 (100)
orange	235-746	800 (100)
light gray	235-743	800 (100)
light green	235-747	800 (100)
red	235-740	800 (100)
dark gray	235-742	800 (100)

Color	Item No.	PU (SPU)
gray	235-501	600 (100)
blue	235-754	600 (100)
orange	235-756	600 (100)
light gray	235-753	600 (100)
light green	235-757	600 (100)
dark gray	235-752	600 (100)

Color	Item No.	PU (SPU)
gray	235-801	400 (100)
orange	235-766	400 (100)
dark gray	235-762	400 (100)



Accessories; for all products on this page



End plate; Width: 1 mm; snap-on type

Color	Item No.	PU (SPU)
gray	235-100	2000 (100)
blue	235-400	2000 (100)
orange	235-600	2000 (100)
white	235-850	2000 (100)
black	235-500	2000 (100)
yellow	235-550	2000 (100)
light gray	235-300	2000 (100)
light green	235-700	2000 (100)
violet	235-650	2000 (100)
red	235-800	2000 (100)
dark gray	235-200	2000 (100)

Intermediate plate; Extends pin spacing; Width: 5 mm / 0.197 inch

Color	Item No.	PU (SPU)
gray	235-701	1000 (100)

PU = Packaging Unit; SPU = Subpackaging Unit; Dimensions in mm

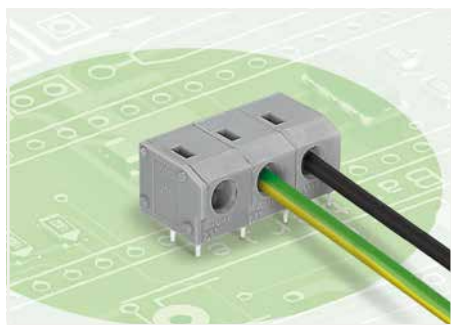
Other versions (or variants) can be requested from WAGO Sales or configured at <https://configurator.wago.com/>.

- Other colors

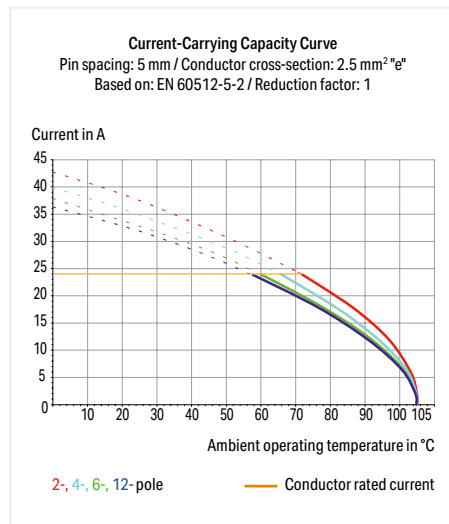
PCB terminal block ▶ 235 Series

PUSH WIRE® ▶ Actuation type: Operating tool ▶ 2.5 mm² ▶ Pin spacing: 5/5.08 mm / 0.197/0.2 inch

▶ Color: gray



- Low-profile PCB terminal strips with PUSH WIRE® connection for custom terminal strip assemblies
- Push-in termination for solid conductors
- Double solder pins for high mechanical stability
- Conductor removal via screwdriver (2.5mm x 0.4mm)
- Set to metric or inch pin spacing by compressing terminal strips or pulling them apart



Electrical Data

Pin spacing	5/5.08 mm / 0.197/0.2 inch		
Ratings per	IEC/EN 60664-1		
Overvoltage category	III	III	II
Pollution degree	3	2	2
Rated voltage	250 V	320 V	630 V
Rated impulse voltage	4 kV	4 kV	4 kV
Rated current	24 A	24 A	24 A
Approbations per	UL 1059		
Use group	B	C	D
Rated voltage	300 V	-	300 V
Rated current	10 A	-	10 A
Approbations per	CSA		
Use group	B	C	D
Rated voltage	300 V	-	-
Rated current	15 A	-	-

Connection Data

Connection technology	PUSH WIRE®
Strip length	9 ... 10 mm / 0.35 ... 0.39 inch
Conductor connection direction to PCB	0°
Solid conductor	0.5 ... 2.5 mm ² / 20 ... 14 AWG
Fine-stranded conductor; with insulated ferrule	0.25 ... 1.5 mm ²
Fine-stranded conductor; with uninsulated ferrule	0.25 ... 1.5 mm ²

Material Data

Material group	I
Insulation material	Polyamide (PA66)
Flammability class per UL94	V0
Clamping spring material	Chrome nickel spring steel (CrNi)
Contact material	Electrolytic copper (E _{Cu})
Contact plating	Tin-plated

Mechanical Data

Solder pin arrangement	Over the entire terminal strip (in-line)
Solder pin length	3.6 mm
Solder pin dimensions	0.8 x 0.4 mm
Drilled hole diameter with tolerance	1 ^(+0.1) mm

Environmental Requirements

Limit temperature range	-60 ... +105 °C
-------------------------	-----------------

Ferrule Page 879

Marking Page 865

Tool Page 870

See technical section for further information

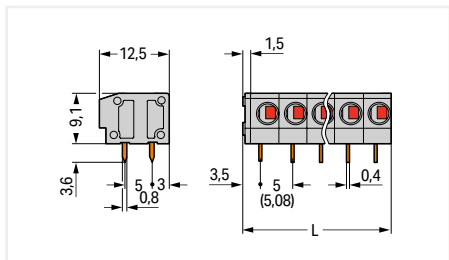
For approvals and corresponding ratings, visit www.wago.com

PCB terminal block ▶ 235 Series

PUSH WIRE® ▶ Actuation type: Operating tool ▶ 2.5 mm² ▶ Pin spacing: 5/5.08 mm / 0.197/0.2 inch
▶ Color: gray



Pole No.	Item No.	PU (SPU)
2	235-402	420 (105)
3	235-403	280 (70)
4	235-404	220 (55)
5	235-405	180 (45)
6	235-406	140 (35)
7	235-407	120 (30)
8	235-408	100 (25)
9	235-409	100 (25)
10	235-410	80 (20)
12	235-412	60 (15)



$L = (\text{pole no.} \times \text{pin spacing}) + 1.5 \text{ mm}$

PU = Packaging Unit; SPU = Subpackaging Unit; Dimensions in mm

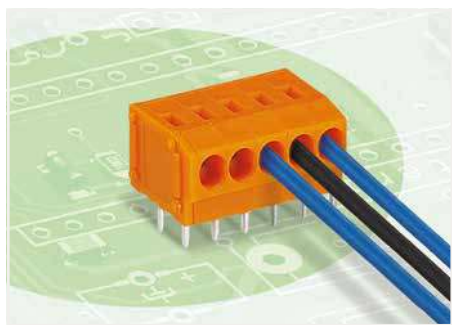
Other versions (or variants) can be requested from WAGO Sales or configured at <https://configurator.wago.com/>.

- Other pole numbers
- Other colors
- Terminal strips with 7.5/7.62 mm and 10/10.16 mm pin spacing
- Mixed-color PCB connector strips
- Direct marking

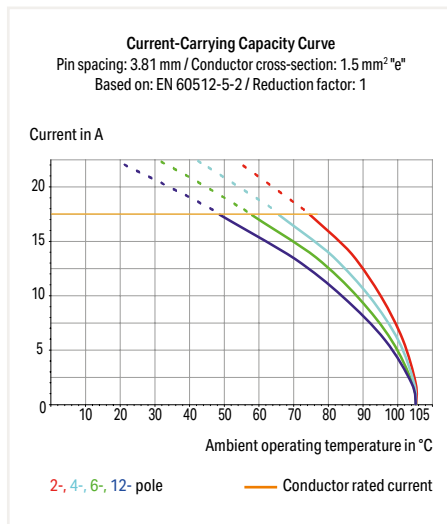
Stackable PCB terminal block ▶ 235 Series

PUSH WIRE® ▶ Actuation type: Operating tool ▶ 1.5 mm² ▶ Pin spacing: 3.81 mm / 0.15 inch ▶ Color: orange

1



- Low-profile PCB terminal blocks with PUSH WIRE® connection and screwdriver actuation
- Push-in termination of solid conductors
- Double solder pins for high mechanical stability
- Conductor removal via (2.5 x 0.4) mm screwdriver



Electrical Data

Pin spacing	3.81 mm / 0.15 inch		
Ratings per	IEC/EN 60664-1		
Overvoltage category	III	III	II
Pollution degree	3	2	2
Rated voltage	200 V	320 V	500 V
Rated impulse voltage	4 kV	4 kV	4 kV
Rated current	17.5 A	17.5 A	17.5 A
Approbations per	UL 1059		
Use group	B	C	D
Rated voltage	300 V	-	300 V
Rated current	10 A	-	10 A
Approbations per	CSA		
Use group	B	C	D
Rated voltage	300 V	-	-
Rated current	10 A	-	-

Connection Data

Connection technology	PUSH WIRE®
Strip length	9 ... 10 mm / 0.35 ... 0.39 inch
Conductor connection direction to PCB	0°
Solid conductor	0.5 ... 1.5 mm ² / 20 ... 16 AWG
Fine-stranded conductor; with insulated ferrule	0.25 ... 0.75 mm ²
Fine-stranded conductor; with uninsulated ferrule	0.25 ... 0.75 mm ²

Material Data

Material group	I
Insulation material	Polyamide (PA66)
Flammability class per UL94	V0
Clamping spring material	Chrome nickel spring steel (CrNi)
Contact material	Electrolytic copper (E _{Cu})
Contact plating	Tin-plated

Mechanical Data

Solder pin arrangement	Within the terminal block (in-line)
Solder pin length	3.6 mm
Solder pin dimensions	0.8 x 0.4 mm
Drilled hole diameter with tolerance	1 ^(+0.1) mm

Environmental Requirements

Limit temperature range	-60 ... +105 °C
-------------------------	-----------------

Ferrule Page 879

Marking Page 864

Tool Page 870

See technical section for further information

For approvals and corresponding ratings, visit www.wago.com

Stackable PCB terminal block ▶ 235 Series

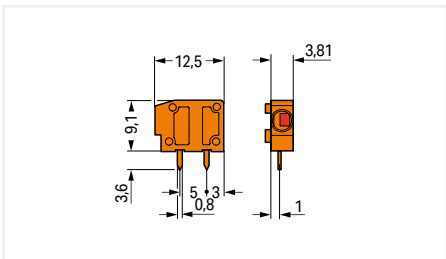
PUSH WIRE® ▶ Actuation type: Operating tool ▶ 1.5 mm² ▶ Pin spacing: 3.81 mm / 0.15 inch ▶ Color: orange

1



235-101/330-000

Color	Item No.	PU (SPU)
orange	235-101/330-000	800 (100)



Accessories; for all products on this page



End plate; Width: 1 mm; snap-on type

Color	Item No.	PU (SPU)
gray	235-100	2000 (100)
blue	235-400	2000 (100)
orange	235-600	2000 (100)
white	235-850	2000 (100)
black	235-500	2000 (100)
yellow	235-550	2000 (100)
light gray	235-300	2000 (100)
light green	235-700	2000 (100)
violet	235-650	2000 (100)
red	235-800	2000 (100)
dark gray	235-200	2000 (100)



Intermediate plate; Extends pin spacing; Width: 5 mm / 0.197 inch

Color	Item No.	PU (SPU)
gray	235-701	1000 (100)

PU = Packaging Unit; SPU = Subpackaging Unit; Dimensions in mm

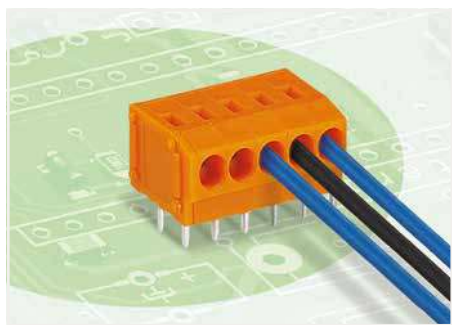
Other versions (or variants) can be requested from WAGO Sales or configured at <https://configurator.wago.com/>.

- Other colors

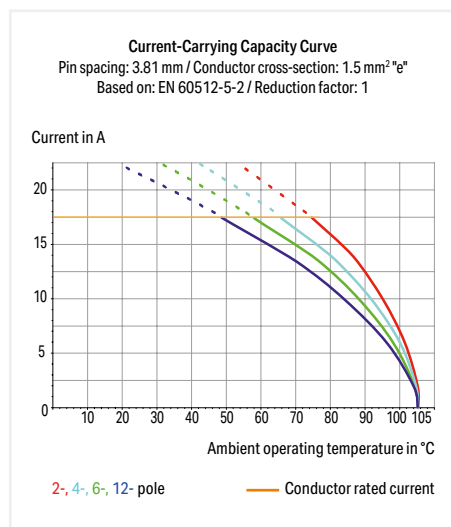
PCB terminal block ▶ 235 Series

PUSH WIRE® ▶ Actuation type: Operating tool ▶ 1.5 mm² ▶ Pin spacing: 3.81 mm / 0.15 inch ▶ Color: orange

1



- Low-profile terminal strips with screwdriver-actuated PUSH WIRE® termination
- Push-in termination of solid conductors
- Double solder pins for high mechanical stability
- Conductor removal via screwdriver (2.5 mm blade width)



Electrical Data

Pin spacing	3.81 mm / 0.15 inch		
Ratings per	IEC/EN 60664-1		
Overvoltage category	III	III	II
Pollution degree	3	2	2
Rated voltage	200 V	320 V	500 V
Rated impulse voltage	4 kV	4 kV	4 kV
Rated current	17.5 A	17.5 A	17.5 A
Approbations per	UL 1059		
Use group	B	C	D
Rated voltage	300 V	-	300 V
Rated current	10 A	-	10 A
Approbations per	CSA		
Use group	B	C	D
Rated voltage	300 V	-	-
Rated current	10 A	-	-

Connection Data

Connection technology	PUSH WIRE®
Strip length	9 ... 10 mm / 0.35 ... 0.39 inch
Conductor connection direction to PCB	0°
Solid conductor	0.5 ... 1.5 mm ² / 20 ... 16 AWG
Fine-stranded conductor; with insulated ferrule	0.25 ... 0.75 mm ²
Fine-stranded conductor; with uninsulated ferrule	0.25 ... 0.75 mm ²

Material Data

Material group	I
Insulation material	Polyamide (PA66)
Flammability class per UL94	V0
Clamping spring material	Chrome nickel spring steel (CrNi)
Contact material	Electrolytic copper (E _{Cu})
Contact plating	Tin-plated

Mechanical Data

Solder pin arrangement	Over the entire terminal strip (in-line)
Solder pin length	3.6 mm
Solder pin dimensions	0.8 x 0.4 mm
Drilled hole diameter with tolerance	1 ^(+0.1) mm

Environmental Requirements

Limit temperature range	-60 ... +105 °C
-------------------------	-----------------

Ferrule [Page 879](#)

Marking [Page 864](#)

Tool [Page 870](#)

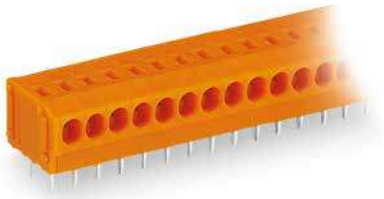
See technical section for further information

For approvals and corresponding ratings, visit www.wago.com

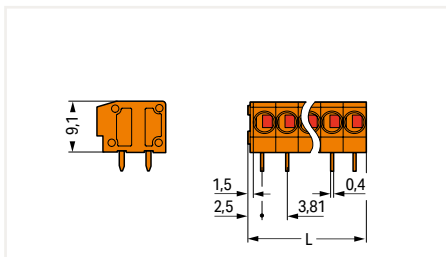
PCB terminal block ▶ 235 Series

PUSH WIRE® ▶ Actuation type: Operating tool ▶ 1.5 mm² ▶ Pin spacing: 3.81 mm / 0.15 inch ▶ Color: orange

1



Pole No.	Item No.	PU (SPU)
2	235-102/330-000	520 (130)
3	235-103/330-000	360 (90)
4	235-104/330-000	280 (70)
5	235-105/330-000	220 (55)
6	235-106/330-000	180 (45)
7	235-107/330-000	160 (40)
8	235-108/330-000	140 (35)
9	235-109/330-000	120 (30)
10	235-110/330-000	120 (40)



$L = (\text{pole no.} \times \text{pin spacing}) + 1.5 \text{ mm}$

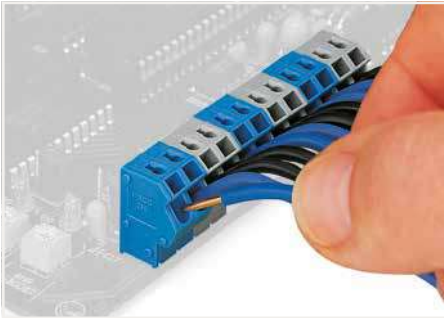
PU = Packaging Unit; SPU = Subpackaging Unit; Dimensions in mm

Other versions (or variants) can be requested from WAGO Sales or configured at <https://configurator.wago.com/>.

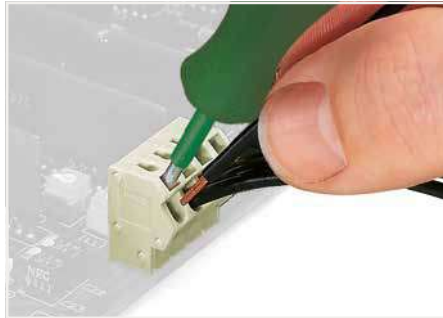
- Other pole numbers
- Other colors
- Mixed-color PCB connector strips
- Direct marking

254 Series Description and Installation

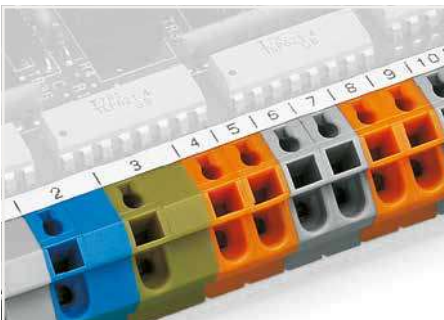
1



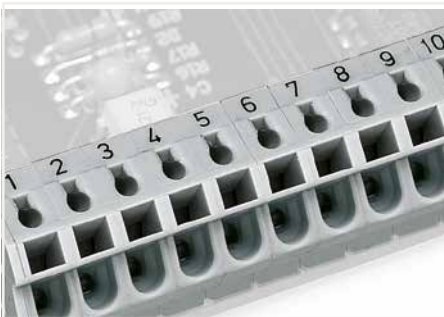
Inserting a solid conductor via push-in termination.



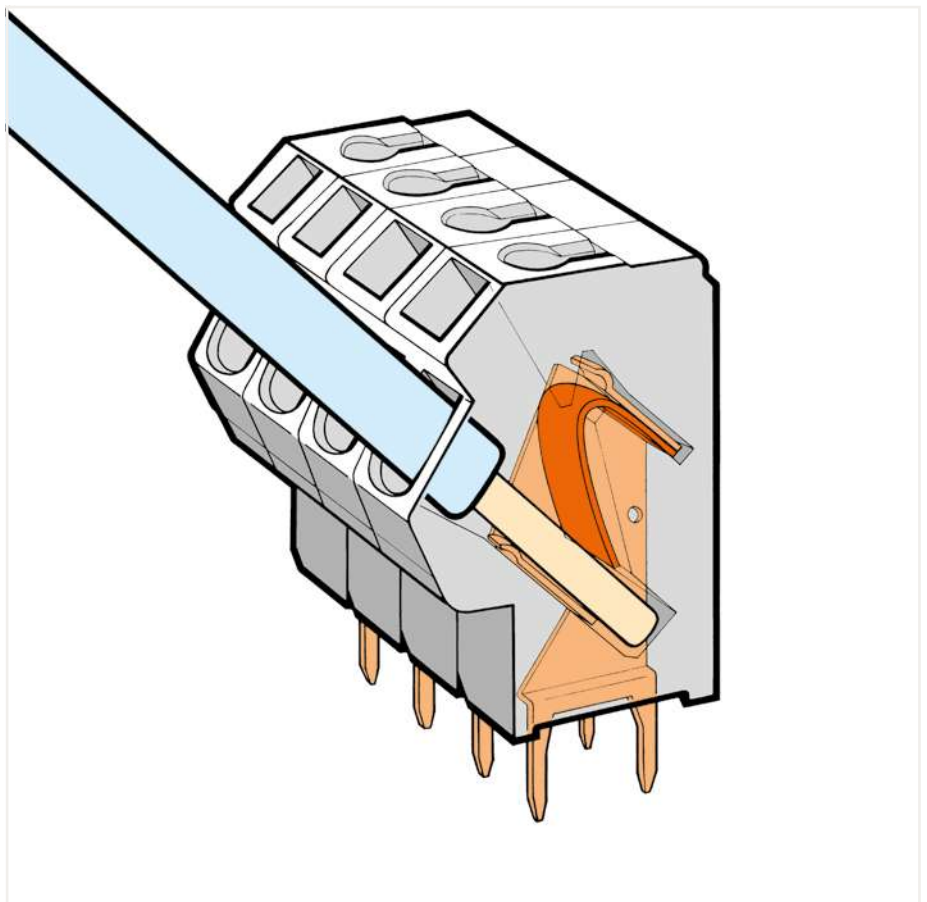
Inserting a tip-bonded conductor via screwdriver.



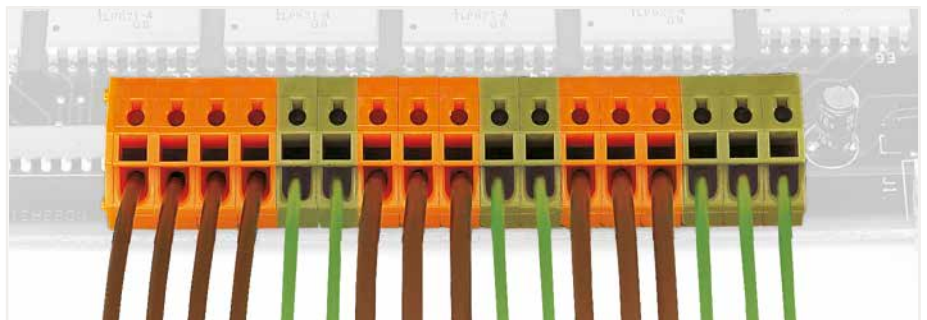
Labeling via self-adhesive marking strips.



Labeling via factory direct marking.

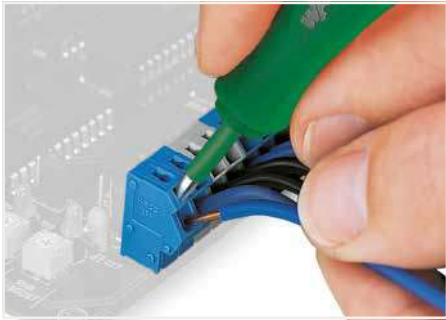


Application example: field-wiring terminal strip

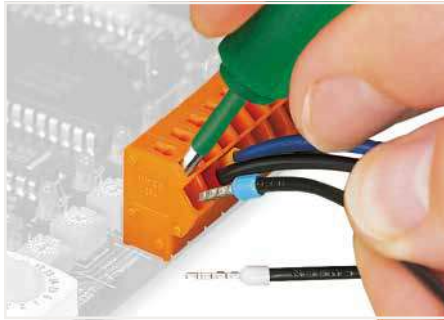


Mixed terminal strips can be assembled using different housing colors for the formation of groups.

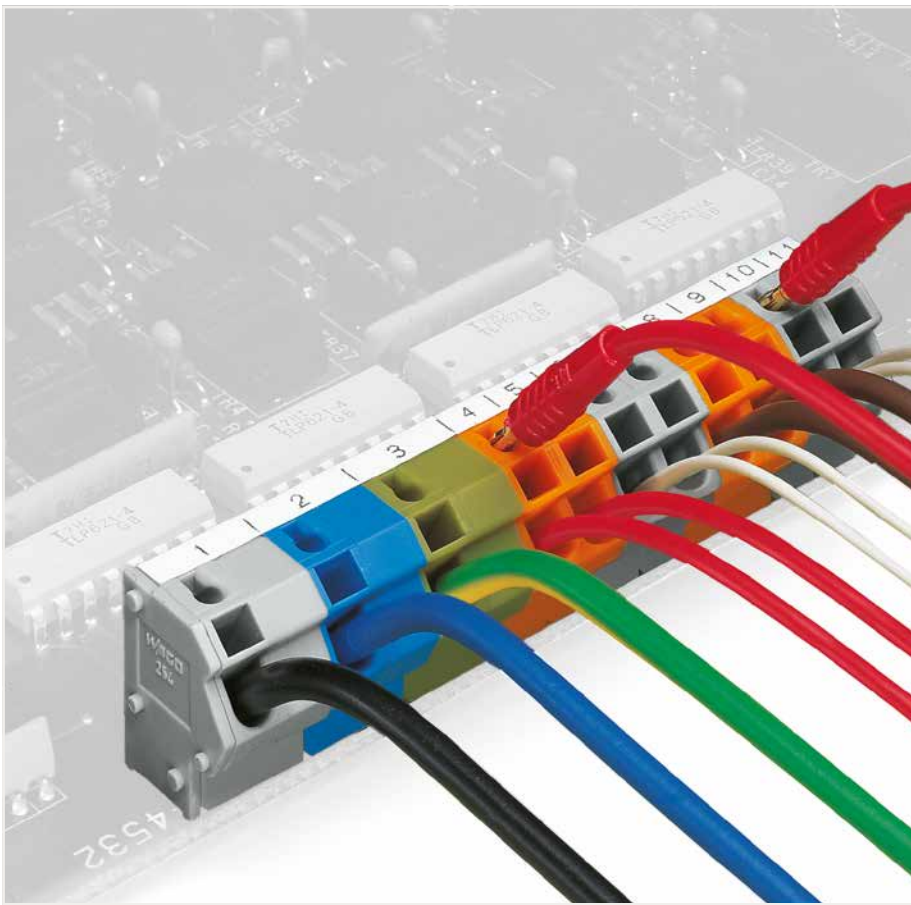
254 Series Description and Installation



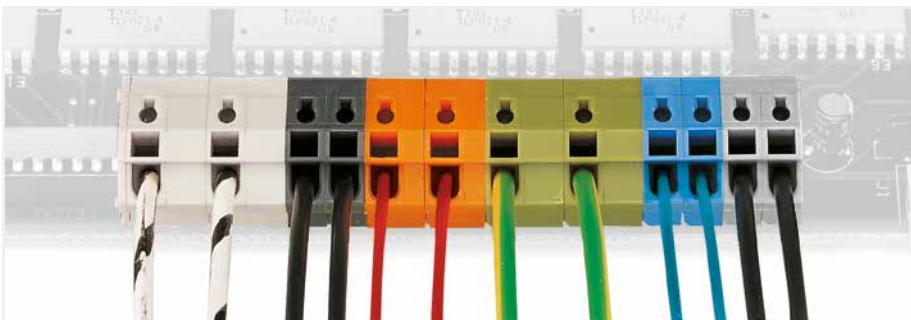
Removing a conductor.



Inserting/removing a ferruled conductor.



Testing with 2 mm Ø test plug.



Mixed terminal strips can be assembled using different pin spacing and housing colors for the formation of groups.

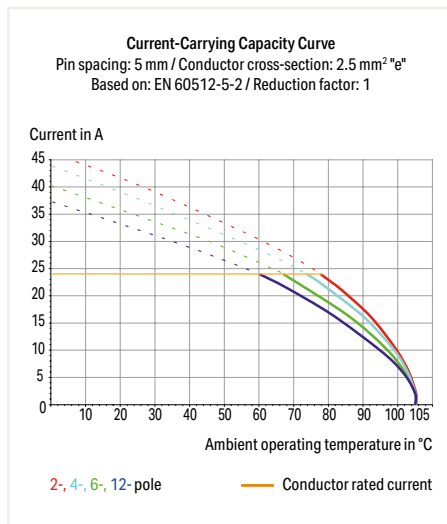
Stackable PCB terminal block ▶ 254 Series

PUSH WIRE® ▶ Actuation type: Operating tool ▶ 2.5 mm²

1



- Modular PCB terminal blocks with PUSH WIRE® connection and screwdriver actuation for custom terminal strip assemblies
- Push-in termination of solid and ferruled conductors
- Test socket for 2 mm Ø test plug
- Save space on the PCB, just 8.9 mm deep
- Also available with 2-conductor connection



Electrical Data

Pin spacing	5/5.08 mm / 0.197/0.2 inch			7.5/7.62 mm / 0.295/0.3 inch			10/10.16 mm / 0.394/0.4 inch		
Ratings per	IEC/EN 60664-1			IEC/EN 60664-1			IEC/EN 60664-1		
Overtoltage category	III	III	II	III	III	II	III	III	II
Pollution degree	3	2	2	3	2	2	3	2	2
Rated voltage	320 V	320 V	630 V	500 V	630 V	1000 V	630 V	1000 V	1000 V
Rated impulse voltage	4 kV	4 kV	4 kV	6 kV	6 kV	6 kV	8 kV	8 kV	8 kV
Rated current	24 A	24 A	24 A	24 A	24 A	24 A	24 A	24 A	24 A

Approbations per	UL 1059			UL 1059			UL 1059		
Use group	B	C	D	B	C	D	B	C	D
Rated voltage	300 V	-	300 V	300 V	-	300 V	300 V	-	300 V
Rated current	10 A	-	10 A	10 A	-	10 A	10 A	-	10 A

Approbations per	CSA			CSA			CSA		
Use group	B	C	D	B	C	D	B	C	D
Rated voltage	300 V	-	300 V	300 V	-	300 V	300 V	-	300 V
Rated current	10 A	-	10 A	10 A	-	10 A	10 A	-	10 A

Connection Data

Connection technology	PUSH WIRE®
Strip length	10 ... 12 mm / 0.39 ... 0.47 inch
Conductor connection direction to PCB	45°
Solid conductor	0.5 ... 2.5 mm ² / 20 ... 12 AWG
Fine-stranded conductor; with insulated ferrule	0.5 ... 1.5 mm ²
Fine-stranded conductor; with uninsulated ferrule	0.5 ... 1.5 mm ²
Note (conductor cross-section)	12 AWG: THHN, THWN

Material Data

Material group	I
Insulation material	Polyamide (PA66)
Flammability class per UL94	V0
Clamping spring material	Chrome nickel spring steel (CrNi)
Contact material	Electrolytic copper (E _{cu})
Contact plating	Tin-plated

Mechanical Data

Solder pin length	4 mm
Solder pin dimensions	0.5 x 0.75 mm
Drilled hole diameter with tolerance	1.1 ^(+0.1) mm

Environmental Requirements

Limit temperature range	-60 ... +105 °C
-------------------------	-----------------

Ferrule [Page 879](#)

Marking [Page 865](#)

Test and measurement [Page 886](#)

Tool [Page 870](#)

See technical section for further information

For approvals and corresponding ratings, visit www.wago.com

Stackable PCB terminal block ▶ 254 Series

PUSH WIRE® ▶ Actuation type: Operating tool ▶ 2.5 mm²

Pin spacing: 5/5.08 mm / 0.197/0.2 inch

Pin spacing: 7.5/7.62 mm / 0.295/0.3 inch

Pin spacing: 10/10.16 mm / 0.394/0.4 inch



254-451

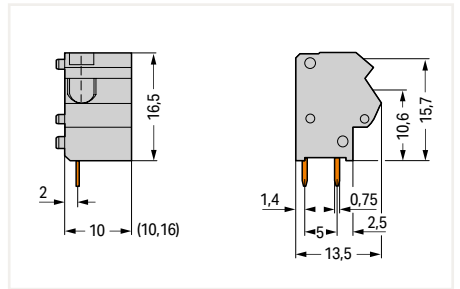
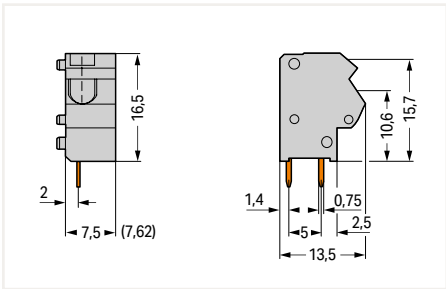
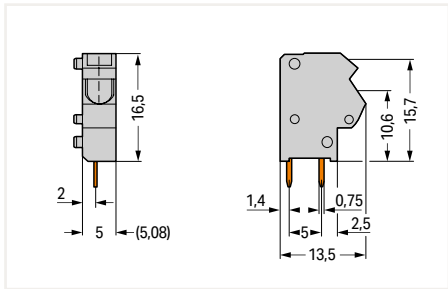
254-551

254-651

Color	Item No.	PU (SPU)
green-yellow	254-848	500 (100)
gray	254-451	500 (100)
blue	254-844	500 (100)
orange	254-846	500 (100)
light gray	254-843	500 (100)
light green	254-847	500 (100)
dark gray	254-842	500 (100)

Color	Item No.	PU (SPU)
gray	254-551	400 (100)
blue	254-854	400 (100)
orange	254-856	400 (100)
light gray	254-853	400 (100)
light green	254-857	400 (100)
dark gray	254-852	400 (100)

Color	Item No.	PU (SPU)
gray	254-651	300 (100)
blue	254-864	300 (100)
orange	254-866	300 (100)
light gray	254-863	300 (100)
light green	254-867	300 (100)
dark gray	254-862	300 (100)



Accessories; for all products on this page



End plate; Width: 1 mm; snap-on type

Color	Item No.	PU (SPU)
gray	254-100	2000 (100)
blue	254-400	2000 (100)
orange	254-600	2000 (100)
light gray	254-300	2000 (100)
light green	254-700	2000 (100)
dark gray	254-200	2000 (100)

PU = Packaging Unit; SPU = Subpackaging Unit; Dimensions in mm

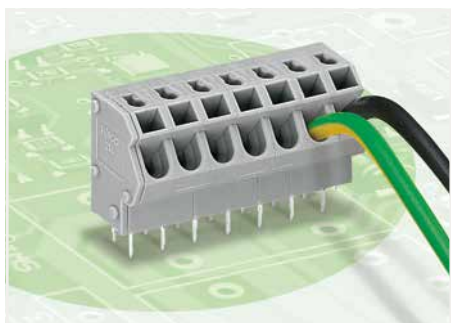
Other versions (or variants) can be requested from WAGO Sales or configured at <https://configurator.wago.com/>.

- Other colors

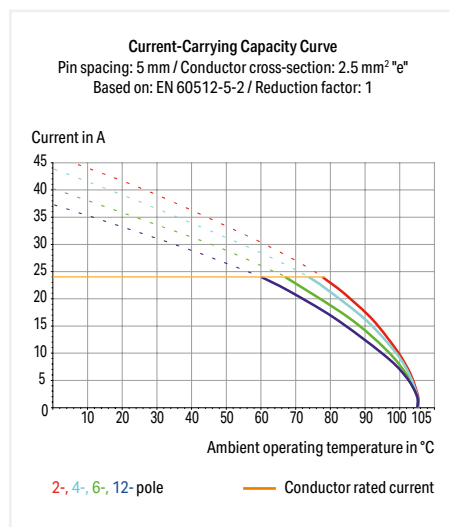
PCB terminal block ▶ 254 Series

PUSH WIRE® ▶ Actuation type: Operating tool ▶ 2.5 mm² ▶ Color: gray

1



- PCB terminal strips with screwdriver-actuated PUSH WIRE® termination
- Push-in termination of solid and ferruled, fine-stranded conductors
- Test socket for 2 mm Ø test plug
- Save space on the PCB, just 8.9 mm deep



Electrical Data									
Pin spacing	5/5.08 mm / 0.197/0.2 inch			7.5/7.62 mm / 0.295/0.3 inch			10/10.16 mm / 0.394/0.4 inch		
Ratings per	IEC/EN 60664-1			IEC/EN 60664-1			IEC/EN 60664-1		
Overtoltage category	III	III	II	III	III	II	III	III	II
Pollution degree	3	2	2	3	2	2	3	2	2
Rated voltage	320 V	320 V	630 V	500 V	630 V	1000 V	630 V	1000 V	1000 V
Rated impulse voltage	4 kV	4 kV	4 kV	6 kV	6 kV	6 kV	8 kV	8 kV	8 kV
Rated current	24 A	24 A	24 A	24 A	24 A	24 A	24 A	24 A	24 A
Approbations per	UL 1059			UL 1059			UL 1059		
Use group	B	C	D	B	C	D	B	C	D
Rated voltage	300 V	-	300 V	300 V	-	300 V	300 V	-	300 V
Rated current	10 A	-	10 A	10 A	-	10 A	10 A	-	10 A
Approbations per	CSA			CSA			CSA		
Use group	B	C	D	B	C	D	B	C	D
Rated voltage	300 V	-	300 V	300 V	-	300 V	300 V	-	300 V
Rated current	10 A	-	10 A	10 A	-	10 A	10 A	-	10 A

Connection Data	
Connection technology	PUSH WIRE®
Strip length	10 ... 12 mm / 0.39 ... 0.47 inch
Conductor connection direction to PCB	45 °
Solid conductor	0.5 ... 2.5 mm ² / 20 ... 12 AWG
Fine-stranded conductor; with insulated ferrule	0.5 ... 1.5 mm ²
Fine-stranded conductor; with uninsulated ferrule	0.5 ... 1.5 mm ²
Note (conductor cross-section)	12 AWG: THHN, THWN

Material Data	
Material group	I
Insulation material	Polyamide (PA66)
Flammability class per UL94	V0
Clamping spring material	Chrome nickel spring steel (CrNi)
Contact material	Electrolytic copper (E _{cu})
Contact plating	Tin-plated

Mechanical Data	
Solder pin arrangement	Over the entire terminal strip (in-line)
Solder pin length	4 mm
Solder pin dimensions	0.5 x 0.75 mm
Drilled hole diameter with tolerance	1.1 ^(+0.1) mm

Environmental Requirements	
Limit temperature range	-60 ... +105 °C

Ferrule Page 879

Marking Page 865

Test and measurement Page 886

Tool Page 870

See technical section for further information

For approvals and corresponding ratings, visit www.wago.com

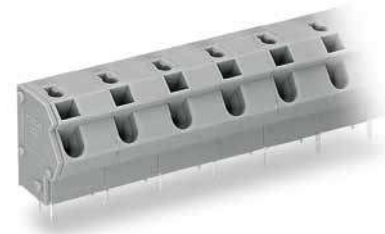
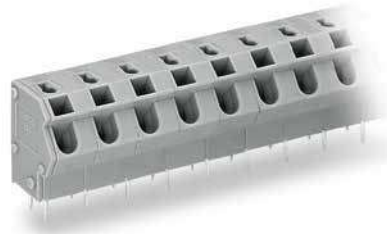
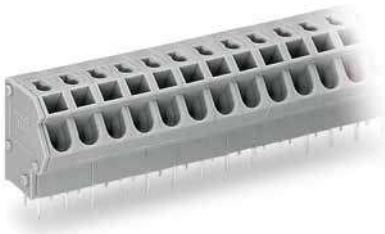
PCB terminal block ▶ 254 Series

PUSH WIRE® ▶ Actuation type: Operating tool ▶ 2.5 mm² ▶ Color: gray

Pin spacing: 5/5.08 mm / 0.197/0.2 inch

Pin spacing: 7.5/7.62 mm / 0.295/0.3 inch

Pin spacing: 10/10.16 mm / 0.394/0.4 inch

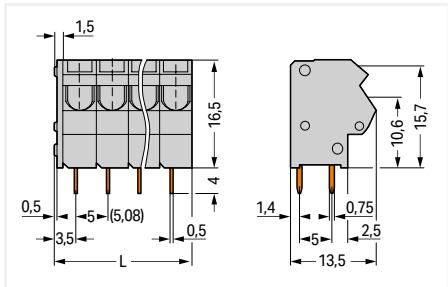


1

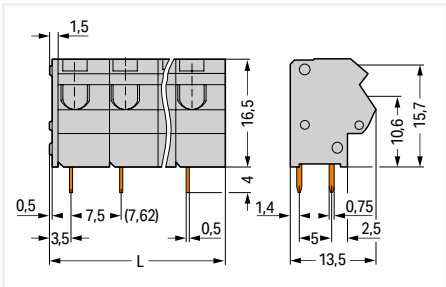
Pole No.	Item No.	PU (SPU)
2	254-452	420 (105)
3	254-453	280 (70)
4	254-454	220 (55)
5	254-455	180 (45)
6	254-456	140 (35)
7	254-457	120 (30)
8	254-458	100 (25)
9	254-459	100 (25)
10	254-460	80 (20)
12	254-462	80 (20)
16	254-466	60 (15)
24	254-474	40 (10)

Pole No.	Item No.	PU (SPU)
2	254-552	280 (70)
3	254-553	200 (50)
4	254-554	140 (35)
5	254-555	120 (30)
6	254-556	100 (25)
7	254-557	80 (20)
8	254-558	80 (20)
9	254-559	60 (15)
10	254-560	60 (15)
12	254-562	40 (10)

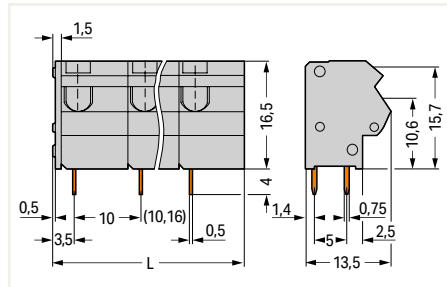
Pole No.	Item No.	PU (SPU)
2	254-652	200 (50)
3	254-653	160 (40)
4	254-654	100 (25)
5	254-655	80 (20)
6	254-656	80 (20)
7	254-657	60 (15)
8	254-658	60 (15)
9	254-659	40 (10)
10	254-660	40 (10)
12	254-662	40 (10)



L = (pole no. x pin spacing) + 1.5 mm



L = (pole no. x pin spacing) + 1.5 mm



L = (pole no. x pin spacing) + 1.5 mm

PU = Packaging Unit; SPU = Subpackaging Unit; Dimensions in mm

Other versions (or variants) can be requested from WAGO Sales or configured at <https://configurator.wago.com/>.

- Other pole numbers
- Other colors
- Mixed-color PCB connector strips
- Direct marking

PCB terminal block ▶ 744 Series

PUSH WIRE® ▶ Actuation type: Operating tool ▶ 1.5 mm² ▶ Pin spacing: 3.5 mm / 0.138 inch ▶ Color: white

1



- PCB terminal blocks with PUSH WIRE® connection
- Push-in termination of solid conductors – low insertion forces
- Just 6.4 mm tall
- Conductor removal via disconnection tool or by twist & pull

Electrical Data

Pin spacing	3.5 mm / 0.138 inch		
Ratings per	IEC/EN 60664-1		
Overvoltage category	III	III	II
Pollution degree	3	2	2
Rated voltage	250 V	320 V	630 V
Rated impulse voltage	4 kV	4 kV	4 kV
Rated current	2 A	2 A	2 A
Approbations per	UL 1059		
Use group	B	C	D
Rated voltage	300 V	-	300 V
Rated current	6 A	-	6 A

Connection Data

Connection technology	PUSH WIRE®
Strip length	8 ... 9 mm / 0.31 ... 0.35 inch
Conductor connection direction to PCB	0°
Solid conductor	0.5 ... 1.5 mm ² / 20 ... 16 AWG

Material Data

Material group	I
Insulation material	Polyamide (PA66)
Flammability class per UL94	V0
Clamping spring material	Chrome nickel spring steel (CrNi)
Contact material	Copper alloy
Contact plating	Tin-plated

Mechanical Data

Solder pin arrangement	Over the entire terminal strip (staggered)
Solder pin dimensions	0.35 x 0.9 mm
Drilled hole diameter with tolerance	1.1 ^(±0.1) mm

Environmental Requirements

Limit temperature range	-60 ... +105 °C
-------------------------	-----------------

Tool Page 872

See technical section for further information

For approvals and corresponding ratings, visit www.wago.com

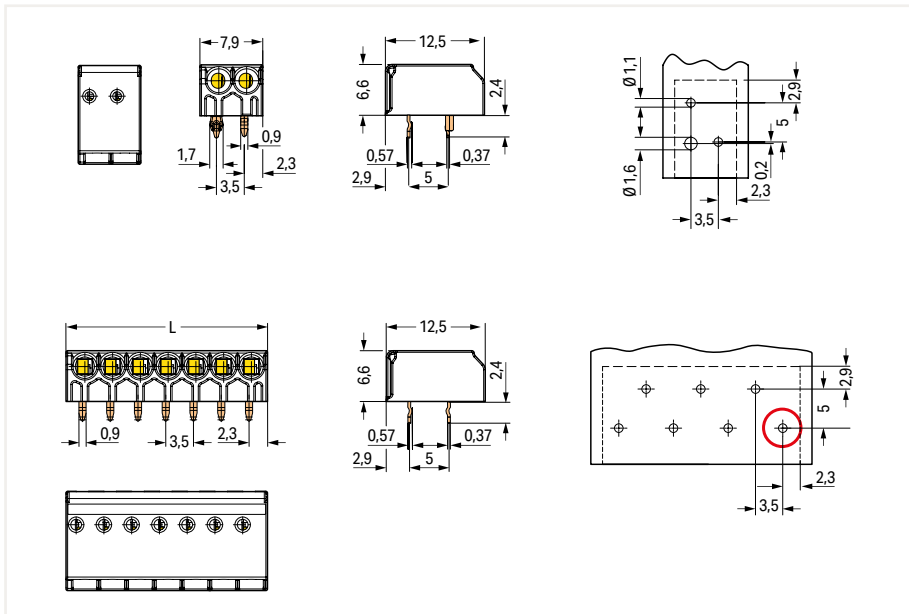
PCB terminal block ▶ 744 Series

PUSH WIRE® ▶ Actuation type: Operating tool ▶ 1.5 mm² ▶ Pin spacing: 3.5 mm / 0.138 inch ▶ Color: white

Solder pin length: 2.4 mm



Pole No.	Item No.	PU
2	744-392/364-000	1500
3	744-303/364-000	1000
4	744-304/364-000	800
6	744-306/364-000	500
7	744-307/364-000	300
8	744-308/364-000	300
10	744-310/364-000	200



„Two-pole version with additional anti-rotating pin
For 3 poles and more, L = (pole no. x pin spacing) + 0.9 mm
First solder pin, front right (red circle)“

PCB terminal block ▶ 744 Series

PUSH WIRE® ▶ Actuation type: Operating tool ▶ 1.5 mm² ▶ Pin spacing: 3.5 mm / 0.138 inch ▶ Color: white

Solder pin length: 3.5 mm

1



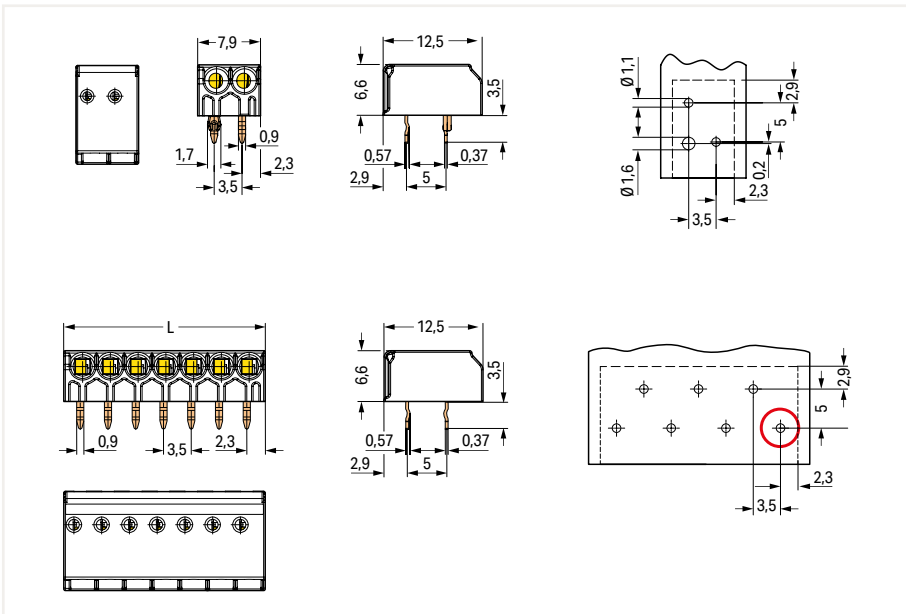
Pole No.	Item No.	PU
2	744-392	1500
3	744-303	1000
4	744-304	800
6	744-306	500
7	744-307	300
8	744-308	300
10	744-310	200



Inserting a conductor via push-in termination.



Removing a conductor via 1.0 mm Ø disconnection tool (206-841).

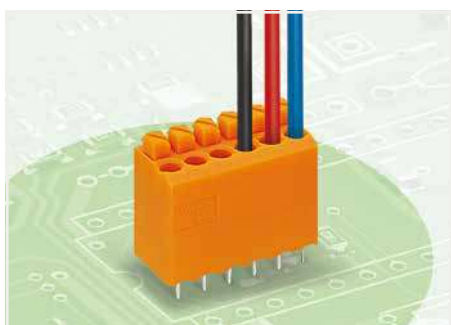


Two-pole version with additional anti-rotating pin
 For 3 poles and more, L = (pole no. x pin spacing) + 0.9 mm
 First solder pin, front right (red circle)

PCB terminal block ▶ 735 Series

PUSH WIRE® ▶ Actuation type: Push-button ▶ 1.5 mm²

1



- Compact PCB terminal blocks with push-buttons and PUSH WIRE® connection
- Top-of-unit, push-button actuation and conductor termination save space on the PCB
- Push-in termination of solid conductors
- Terminal blocks can be arranged side-by-side without loss of poles.

Electrical Data						
Pin spacing	3.81 mm / 0.15 inch			5 mm / 0.197 inch		
Color	orange			gray		
Ratings per	IEC/EN 60664-1			IEC/EN 60664-1		
Overvoltage category	III	III	II	III	III	II
Pollution degree	3	2	2	3	2	2
Rated voltage	250 V	320 V	630 V	320 V	320 V	630 V
Rated impulse voltage	4 kV	4 kV	4 kV	4 kV	4 kV	4 kV
Rated current	10 A	10 A	10 A	10 A	10 A	10 A
Approbations per	UL 1059			UL 1059		
Use group	B	C	D	B	C	D
Rated voltage	300 V	-	300 V	300 V	-	300 V
Rated current	10 A	-	10 A	10 A	-	10 A
Approbations per	CSA			CSA		
Use group	B	C	D	B	C	D
Rated voltage	300 V	-	300 V	300 V	-	300 V
Rated current	10 A	-	10 A	10 A	-	10 A
Connection Data						
Connection technology	PUSH WIRE®					
Strip length	8 ... 9 mm / 0.31 ... 0.35 inch					
Conductor connection direction to PCB	90 °					
Solid conductor	0.5 ... 1.5 mm ² / 20 ... 16 AWG					
Fine-stranded conductor; with insulated ferrule	0.5 ... 1 mm ²					
Fine-stranded conductor; with uninsulated ferrule	0.5 ... 1 mm ²					
Material Data						
Material group	I					
Insulation material	Polyamide (PA66)					
Flammability class per UL94	V0					
Clamping spring material	Chrome nickel spring steel (CrNi)					
Contact material	Electrolytic copper (E _{cu})					
Contact plating	Tin-plated					
Mechanical Data						
Solder pin arrangement	Over the entire terminal strip (in-line)					
Solder pin length	3.5 mm					
Solder pin dimensions	0.4 x 0.9 mm					
Drilled hole diameter with tolerance	1 ^(+0.1) mm					
Environmental Requirements						
Limit temperature range	-60 ... +105 °C					

Ferrule	Page 879
---------	----------

Marking	Page 864
---------	----------

Test and measurement	Page 886
----------------------	----------

Tool	Page 870
------	----------

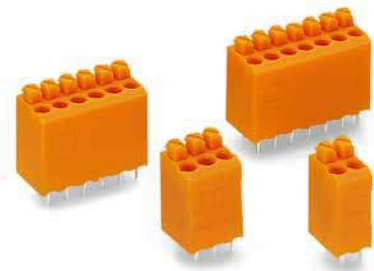
See technical section for further information

For approvals and corresponding ratings, visit www.wago.com

PCB terminal block ▶ 735 Series PUSH WIRE® ▶ Actuation type: Push-button ▶ 1.5 mm²

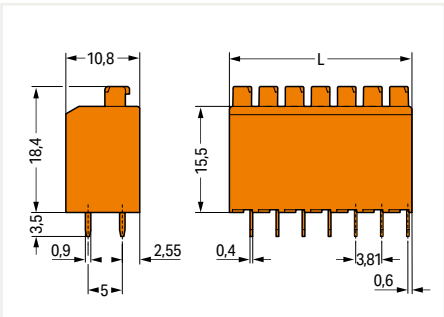
Pin spacing: 3.81 mm / 0.15 inch ▶ Color: orange

Pin spacing: 5 mm / 0.197 inch ▶ Color: gray

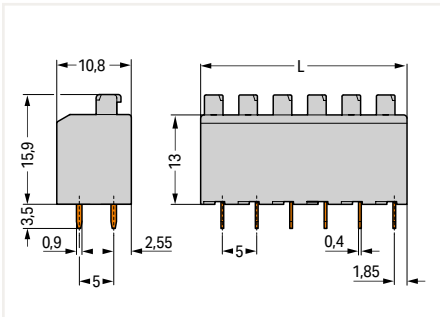


Pole No.	Item No.	PU (SPU)
2	735-122	660 (165)
3	735-123	440 (110)
6	735-126	220 (55)
7	735-127	180 (45)

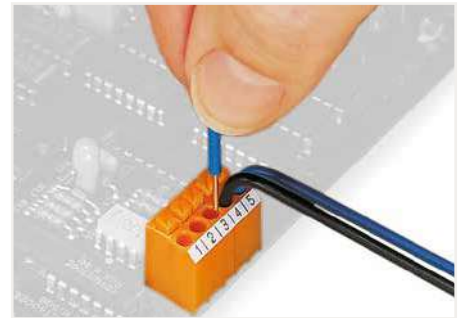
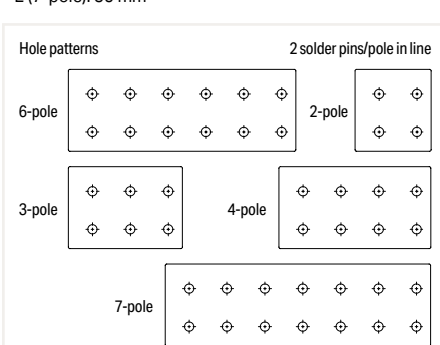
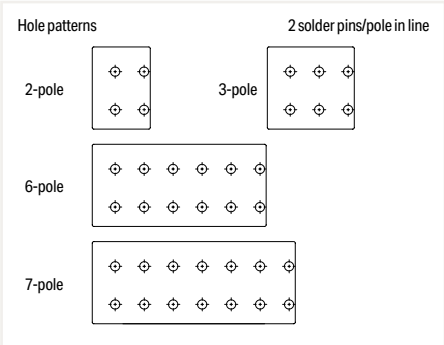
Pole No.	Item No.	PU (SPU)
2	735-302	500 (125)
3	735-303	320 (80)
4	735-304	240 (60)
6	735-306	160 (40)
7	735-307	140 (35)



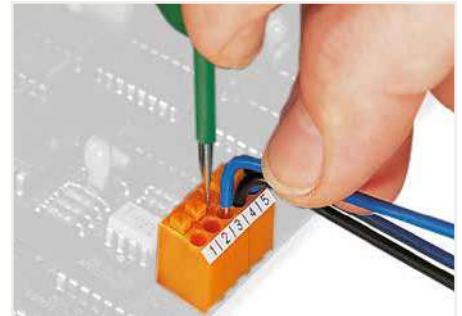
L (2-pole): 7.62 mm, L (3-pole): 11.43 mm
L (6-pole): 22.86 mm, L (7-pole): 26.67 mm



L (2-pole): 10 mm, L (3-pole): 15 mm
L (4-pole): 20 mm, L (6-pole): 30 mm
L (7-pole): 35 mm



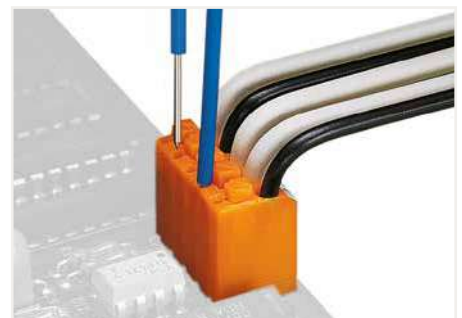
Insert solid conductors via push-in termination.



Removing a conductor via push-button.



Terminal blocks can be arranged side-by-side without loss of poles.



Testing via 1 mm Ø test pin.

PU = Packaging Unit; SPU = Subpackaging Unit; Dimensions in mm

Other versions (or variants) can be requested from WAGO Sales or configured at <https://configurator.wago.com/>.

- Direct marking

PCB terminal block ▶ 735 Series

PUSH WIRE® ▶ Actuation type: Push-button ▶ Compact terminal block variant: Spacer width: 1 x pin spacing ▶ 1.5 mm²

1



- Compact PCB terminal blocks with push-buttons and PUSH WIRE® connection
- Top-of-unit, push-button actuation and conductor termination save space on the PCB
- Push-in termination of solid conductors
- Terminal blocks can be arranged side-by-side without loss of poles.

Electrical Data									
Pin spacing	3.81 mm / 0.15 inch			5 mm / 0.197 inch			5 mm / 0.197 inch		
Color	orange			gray			gray		
Ratings per	IEC/EN 60664-1			IEC/EN 60664-1			IEC/EN 60664-1		
Overtoltage category	III	III	II	III	III	II	III	III	II
Pollution degree	3	2	2	3	2	2	3	2	2
Rated voltage	500 V	630 V	1000 V	320 V	630 V	1000 V	320 V	320 V	630 V
Rated impulse voltage	6 kV	6 kV	6 kV	4 kV	8 kV	8 kV	4 kV	4 kV	4 kV
Rated current	10 A	10 A	10 A	10 A	10 A	10 A	10 A	10 A	10 A
Approbations per	UL 1059			UL 1059			UL 1059		
Use group	B	C	D	B	C	D	B	C	D
Rated voltage	300 V	-	300 V	300 V	-	300 V	300 V	-	300 V
Rated current	10 A	-	10 A	10 A	-	10 A	10 A	-	10 A
Approbations per	CSA			CSA			CSA		
Use group	B	C	D	B	C	D	B	C	D
Rated voltage	300 V	-	300 V	300 V	-	300 V	300 V	-	300 V
Rated current	10 A	-	10 A	10 A	-	10 A	10 A	-	10 A
Connection Data									
Connection technology	PUSH WIRE®								
Strip length	8 ... 9 mm / 0.31 ... 0.35 inch								
Conductor connection direction to PCB	90 °								
Solid conductor	0.5 ... 1.5 mm ² / 20 ... 16 AWG								
Fine-stranded conductor; with insulated ferrule	0.5 ... 1 mm ²								
Fine-stranded conductor; with uninsulated ferrule	0.5 ... 1 mm ²								
Material Data									
Material group	I								
Insulation material	Polyamide (PA66)								
Flammability class per UL94	V0								
Clamping spring material	Chrome nickel spring steel (CrNi)								
Contact material	Electrolytic copper (E _{cu})								
Contact plating	Tin-plated								
Mechanical Data									
Solder pin arrangement	Over the entire terminal strip (in-line)								
Solder pin length	3.5 mm								
Solder pin dimensions	0.4 x 0.9 mm								
Drilled hole diameter with tolerance	1 ^(+0.1) mm								
Environmental Requirements									
Limit temperature range	-60 ... +105 °C								

Ferrule [Page 879](#)

Marking [Page 864](#)

Test and measurement [Page 886](#)

Tool [Page 870](#)

See technical section for further information

For approvals and corresponding ratings, visit www.wago.com

PCB terminal block ▶ 735 Series

PUSH WIRE® ▶ Actuation type: Push-button ▶ Compact terminal block variant: Spacer width: 1 x pin spacing ▶ 1.5 mm²

Pin spacing: 3.81 mm / 0.15 inch ▶ Color: orange

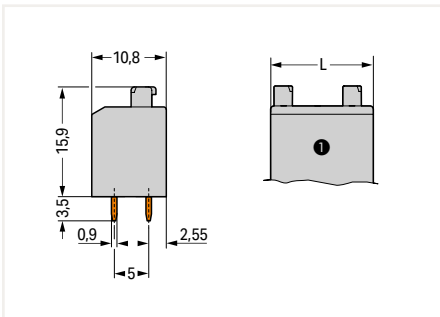
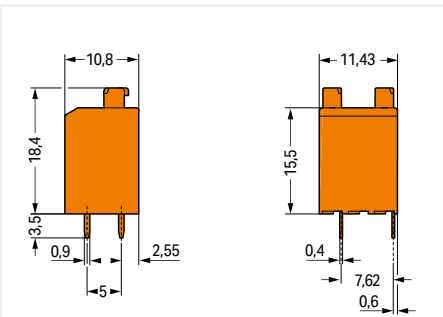
Pin spacing: 5 mm / 0.197 inch ▶ Color: gray



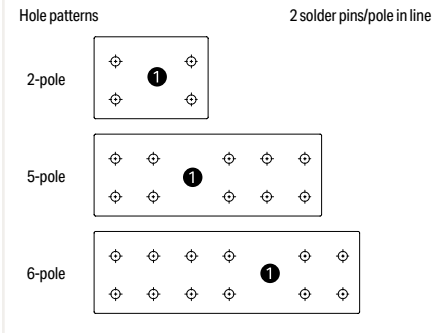
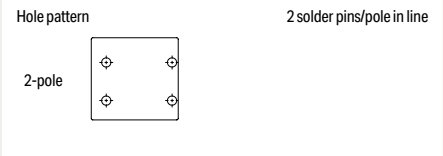
735-123/001-000

Color	Pole No.	Item No.	PU (SPU)
orange	2	735-123/001-000	440 (110)

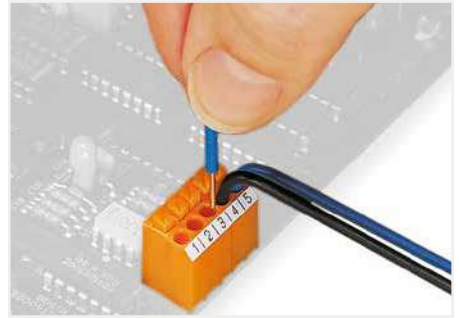
Pole No.	Item No.	PU (SPU)
2	735-303/001-000	320 (80)
5	735-306/003-000	160 (40)
6	735-307/001-000	140 (35)



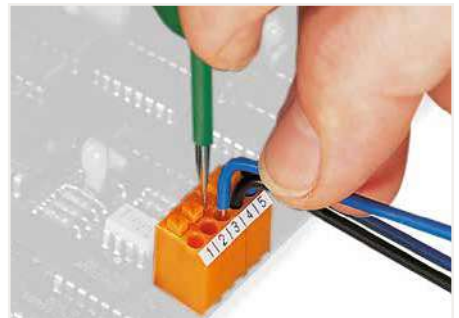
L (2-pole): 15 mm
L (5-pole): 30 mm
L (6-pole): 35 mm



(1) Spacer: 1 x pin spacing



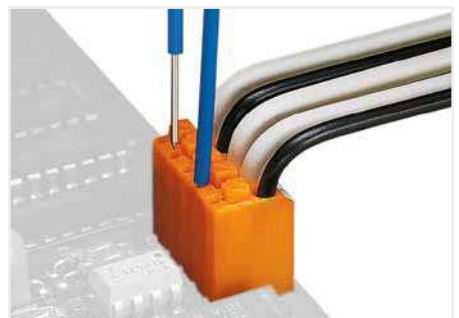
Insert solid conductors via push-in termination.



Removing a conductor via push-button.



Terminal blocks can be arranged side-by-side without loss of poles.



Testing via 1 mm Ø test pin.

1

PU = Packaging Unit; SPU = Subpackaging Unit; Dimensions in mm

Other versions (or variants) can be requested from WAGO Sales or configured at <https://configurator.wago.com/>.

- Direct marking

PCB terminal block ▶ 735 Series

PUSH WIRE® ▶ Actuation type: Push-button ▶ Compact terminal block variant: Spacer width: 2 x pin spacing ▶ 1.5 mm²

1



- Compact PCB terminal blocks with push-buttons and PUSH WIRE® connection
- Top-of-unit, push-button actuation and conductor termination save space on the PCB
- Push-in termination of solid conductors
- Terminal blocks can be arranged side-by-side without loss of poles.

Electrical Data						
Pin spacing	3.81 mm / 0.15 inch orange			5 mm / 0.197 inch gray		
Color	orange			gray		
Ratings per	IEC/EN 60664-1			IEC/EN 60664-1		
Oversvoltage category	III	III	II	III	III	II
Pollution degree	3	2	2	3	2	2
Rated voltage	250 V	320 V	630 V	320 V	320 V	630 V
Rated impulse voltage	4 kV	4 kV	4 kV	4 kV	4 kV	4 kV
Rated current	10 A	10 A	10 A	10 A	10 A	10 A
Approbations per	UL 1059			UL 1059		
Use group	B	C	D	B	C	D
Rated voltage	300 V	-	300 V	300 V	-	300 V
Rated current	10 A	-	10 A	10 A	-	10 A
Approbations per	CSA			CSA		
Use group	B	C	D	B	C	D
Rated voltage	300 V	-	300 V	300 V	-	300 V
Rated current	10 A	-	10 A	10 A	-	10 A
Connection Data						
Connection technology	PUSH WIRE®					
Strip length	8 ... 9 mm / 0.31 ... 0.35 inch					
Conductor connection direction to PCB	90 °					
Solid conductor	0.5 ... 1.5 mm ² / 20 ... 16 AWG					
Fine-stranded conductor; with insulated ferrule	0.5 ... 1 mm ²					
Fine-stranded conductor; with uninsulated ferrule	0.5 ... 1 mm ²					
Material Data						
Material group	I					
Insulation material	Polyamide (PA66)					
Flammability class per UL94	V0					
Clamping spring material	Chrome nickel spring steel (CrNi)					
Contact material	Electrolytic copper (E _{cu})					
Contact plating	Tin-plated					
Mechanical Data						
Solder pin arrangement	Over the entire terminal strip (in-line)					
Solder pin length	3.5 mm					
Solder pin dimensions	0.4 x 0.9 mm					
Drilled hole diameter with tolerance	1 ^(+0.1) mm					
Environmental Requirements						
Limit temperature range	-60 ... +105 °C					

Ferrule [Page 879](#)

Marking [Page 864](#)

Test and measurement [Page 886](#)

Tool [Page 870](#)

See technical section for further information

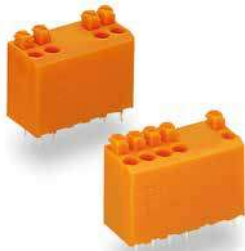
For approvals and corresponding ratings, visit www.wago.com

PCB terminal block ▶ 735 Series

PUSH WIRE® ▶ Actuation type: Push-button ▶ Compact terminal block variant: Spacer width: 2 x pin spacing ▶ 1.5 mm²

Pin spacing: 3.81 mm / 0.15 inch ▶ Color: orange

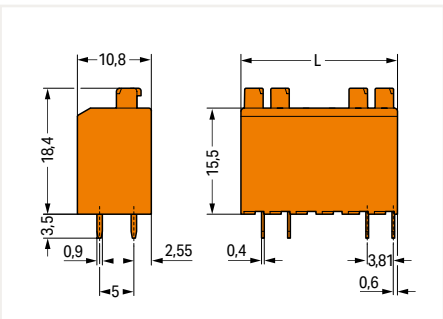
Pin spacing: 5 mm / 0.197 inch ▶ Color: gray



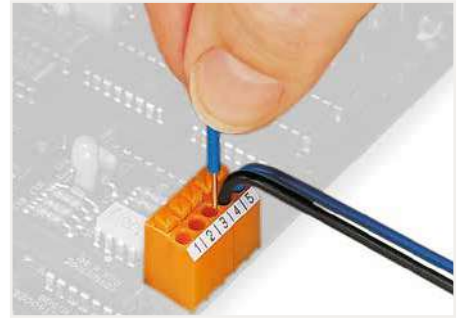
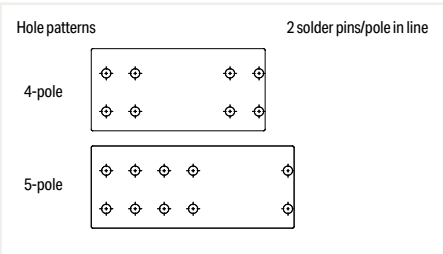
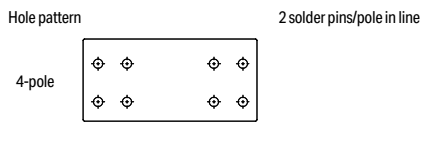
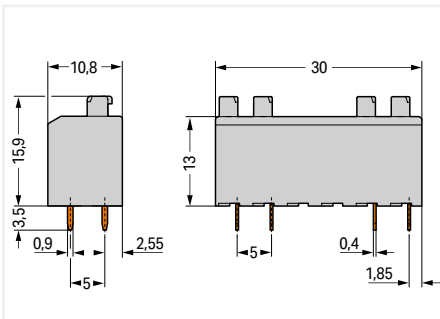
735-306/001-000

Pole No.	Item No.	PU (SPU)
4	735-126/001-000	220 (55)
5	735-127/001-000	180 (45)

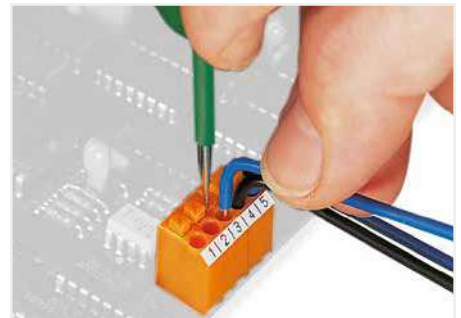
Color	Pole No.	Item No.	PU (SPU)
● gray	4	735-306/001-000	160 (40)



L (4-pole): 22.86 mm
L (5-pole): 26.67 mm



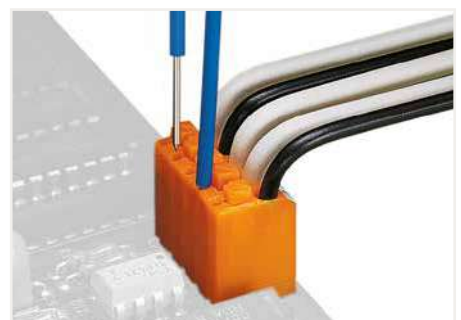
Insert solid conductors via push-in termination.



Removing a conductor via push-button.



Terminal blocks can be arranged side-by-side without loss of poles.



Testing via 1 mm Ø test pin.

PU = Packaging Unit; SPU = Subpackaging Unit; Dimensions in mm

Other versions (or variants) can be requested from WAGO Sales or configured at <https://configurator.wago.com/>.

- Direct marking

PCB terminal block ▶ 735 Series

PUSH WIRE® ▶ Actuation type: Push-button ▶ Compact terminal block variant: Spacer width: 3 x pin spacing ▶ 1.5 mm² ▶ Pin spacing: 5 mm / 0.197 inch ▶ Color: gray

1



- Compact PCB terminal blocks with push-buttons and PUSH WIRE® connection
- Top-of-unit, push-button actuation and conductor termination save space on the PCB
- Push-in termination of solid conductors
- Terminal blocks can be arranged side-by-side without loss of poles.

Electrical Data			
Pin spacing	5 mm / 0.197 inch		
Ratings per	IEC/EN 60664-1		
Overvoltage category	III	III	II
Pollution degree	3	2	2
Rated voltage	320 V	320 V	630 V
Rated impulse voltage	4 kV	4 kV	4 kV
Rated current	10 A	10 A	10 A
Approbations per	UL 1059		
Use group	B	C	D
Rated voltage	300 V	-	300 V
Rated current	10 A	-	10 A
Approbations per	CSA		
Use group	B	C	D
Rated voltage	300 V	-	300 V
Rated current	10 A	-	10 A
Connection Data			
Connection technology	PUSH WIRE®		
Strip length	8 ... 9 mm / 0.31 ... 0.35 inch		
Conductor connection direction to PCB	90°		
Solid conductor	0.5 ... 1.5 mm ² / 20 ... 16 AWG		
Fine-stranded conductor; with insulated ferrule	0.5 ... 1 mm ²		
Fine-stranded conductor; with uninsulated ferrule	0.5 ... 1 mm ²		
Material Data			
Material group	I		
Insulation material	Polyamide (PA66)		
Flammability class per UL94	V0		
Clamping spring material	Chrome nickel spring steel (CrNi)		
Contact material	Electrolytic copper (E _{Cu})		
Contact plating	Tin-plated		
Mechanical Data			
Solder pin arrangement	Over the entire terminal strip (in-line)		
Solder pin length	3.5 mm		
Solder pin dimensions	0.4 x 0.9 mm		
Drilled hole diameter with tolerance	1 ^(+0.1) mm		
Environmental Requirements			
Limit temperature range	-60 ... +105 °C		

Ferrule [Page 879](#)

Marking [Page 865](#)

Test and measurement [Page 886](#)

Tool [Page 870](#)

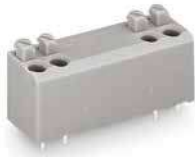
See technical section for further information

For approvals and corresponding ratings, visit www.wago.com

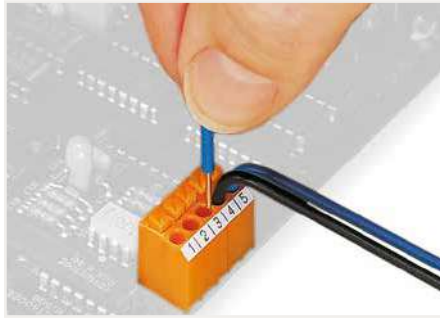
PCB terminal block ▶ 735 Series

PUSH WIRE® ▶ Actuation type: Push-button ▶ Compact terminal block variant: Spacer width: 3 x pin spacing ▶ 1.5 mm² ▶ Pin spacing: 5 mm / 0.197 inch ▶ Color: gray

1

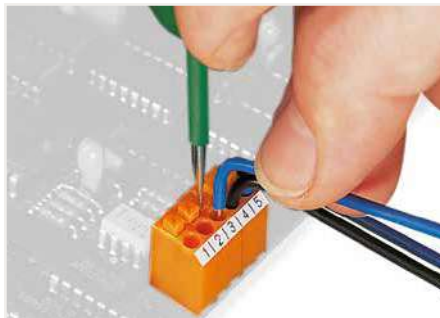


735-307/002-000

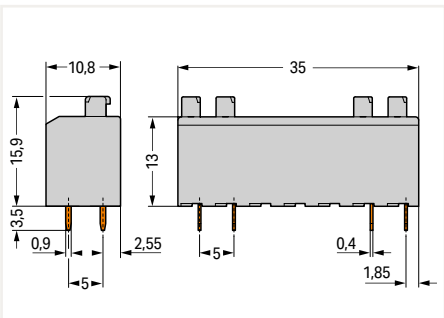


Insert solid conductors via push-in termination.

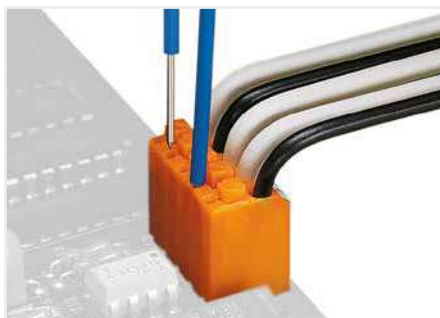
Color	Pole No.	Item No.	PU (SPU)
● gray	4	735-307/002-000	140 (35)



Removing a conductor via push-button.



Terminal blocks can be arranged side-by-side without loss of poles.



Testing via 1 mm Ø test pin.

PU = Packaging Unit; SPU = Subpackaging Unit; Dimensions in mm

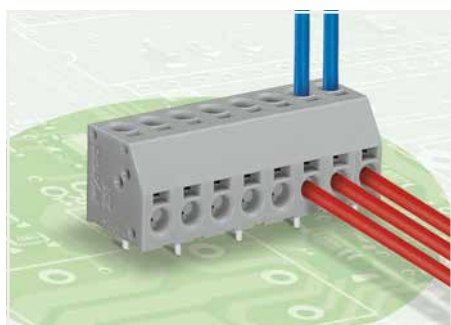
Other versions (or variants) can be requested from WAGO Sales or configured at <https://configurator.wago.com/>.

- Direct marking

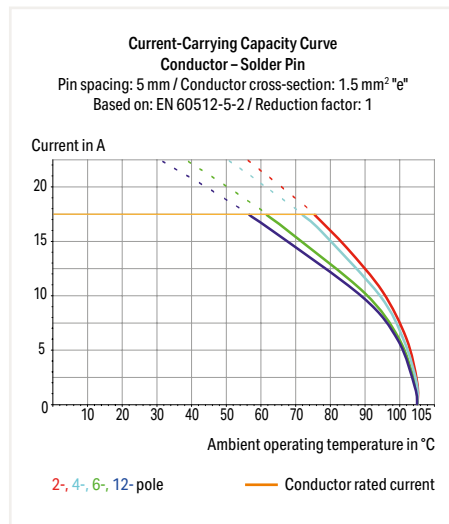
2-conductor PCB terminal block ▶ 253 Series

PUSH WIRE® ▶ Actuation type: Operating tool ▶ 1.5 mm² ▶ Pin spacing: 5 mm / 0.197 inch ▶ Color: gray

1



- PCB terminal strips with screwdriver-actuated PUSH WIRE® termination
- Double-conductor connection provides top-entry (vertical) and/or side-entry (horizontal) wiring
- Push-in termination of solid conductors
- Double entries for power supply and potential distribution



Electrical Data

Pin spacing	5 mm / 0.197 inch		
Ratings per	IEC/EN 60664-1		
Overvoltage category	III	III	II
Pollution degree	3	2	2
Rated voltage	320 V	320 V	630 V
Rated impulse voltage	4 kV	4 kV	4 kV
Rated current	17.5 A	17.5 A	17.5 A
Approbations per	UL 1059		
Use group	B	C	D
Rated voltage	300 V	-	300 V
Rated current	8 A	-	8 A
Approbations per	CSA		
Use group	B	C	D
Rated voltage	300 V	-	300 V
Rated current	8 A	-	8 A

Connection Data

Connection type (1)	PUSH WIRE® connection
Connection technology	PUSH WIRE®
Number of connection points (connection type)	1
Strip length	8.5 ... 9.5 mm / 0.33 ... 0.37 inch
Note (strip length)	7 ... 8 mm / 0.28 ... 0.31 inch (for wiring on both sides)
Conductor connection direction to PCB	0°
Solid conductor	0.5 ... 1.5 mm ² / 20 ... 16 AWG
Connection type 2	PUSH WIRE® connection
Connection technology 2	PUSH WIRE®
Number of connection points	1
Strip length 2	8.5 ... 9.5 mm / 0.33 ... 0.37 inch
Note (strip length) 2	7 ... 8 mm / 0.28 ... 0.31 inch (for wiring on both sides)
Conductor connection direction to PCB 2	90°
Solid conductor 2	0.5 ... 1.5 mm ² / 20 ... 16 AWG

Material Data

Material group	I
Insulation material	Polyamide (PA66)
Flammability class per UL94	V0
Clamping spring material	Chrome nickel spring steel (CrNi)
Contact material	Electrolytic copper (E _{cu})
Contact plating	Tin-plated

Mechanical Data

Solder pin arrangement	Over the entire terminal strip (staggered)
Solder pin length	3.6 mm
Solder pin dimensions	0.5 x 0.8 mm
Drilled hole diameter with tolerance	1.1 (+0.1) mm

Environmental Requirements

Limit temperature range	-60 ... +105 °C
-------------------------	-----------------

Marking Page 865

Tool Page 870

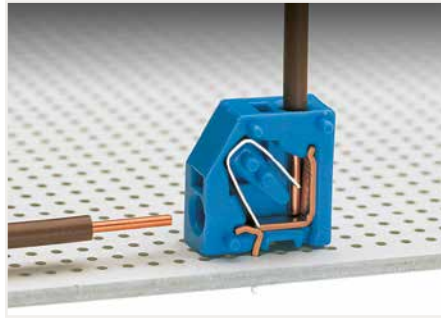
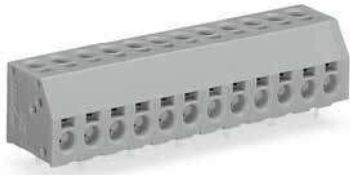
See technical section for further information

For approvals and corresponding ratings, visit www.wago.com

2-conductor PCB terminal block ▶ 253 Series

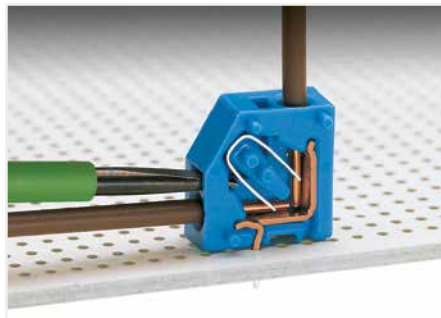
PUSH WIRE® ▶ Actuation type: Operating tool ▶ 1.5 mm² ▶ Pin spacing: 5 mm / 0.197 inch ▶ Color: gray

1

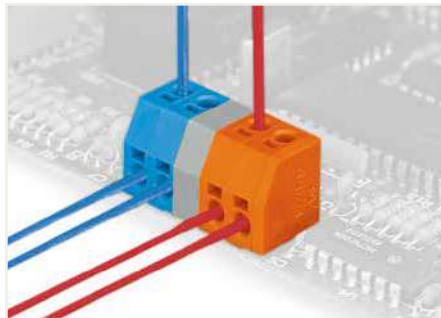


253-112 Inserting a conductor via push-in termination.

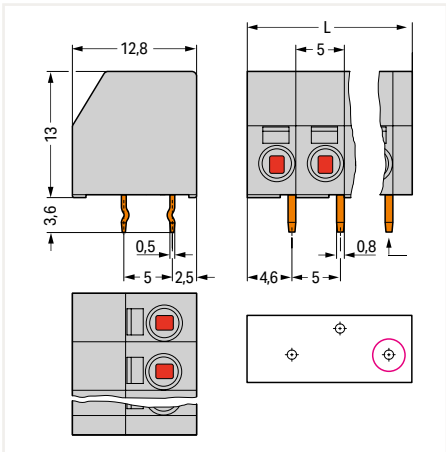
Pole No.	Item No.	PU (SPU)
2	253-102	400 (100)
3	253-103	280 (70)
4	253-104	220 (55)
5	253-105	160 (40)
6	253-106	140 (35)
7	253-107	120 (30)
8	253-108	100 (25)
9	253-109	100 (25)
10	253-110	80 (20)
11	253-111	80 (20)
12	253-112	60 (15)
13	253-113	60 (15)
14	253-114	60 (15)
15	253-115	60 (15)
16	253-116	40 (10)



Removing a conductor via 2.5 mm screwdriver.



Mixed-color terminal strips (with or without spacer) are available upon request.



L = (pole no. x pin spacing) + 2 mm
 First solder pin, front right (red circle)

PU = Packaging Unit; SPU = Subpackaging Unit; Dimensions in mm

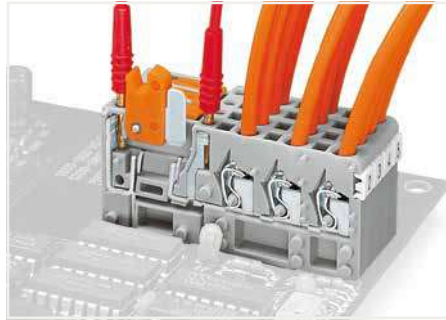
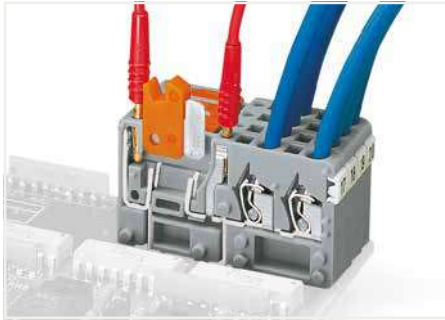
Other versions (or variants) can be requested from WAGO Sales or configured at <https://configurator.wago.com/>.

- Other pole numbers
- Other colors
- Mixed-color PCB connector strips
- Direct marking

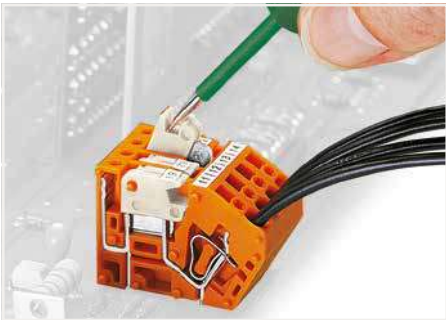
742 Series

Description and Installation

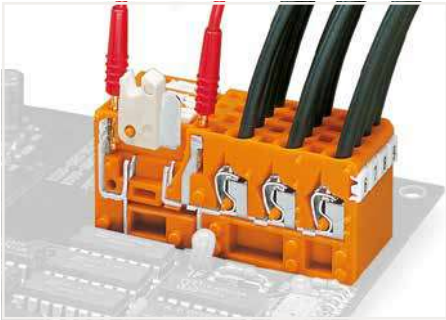
1



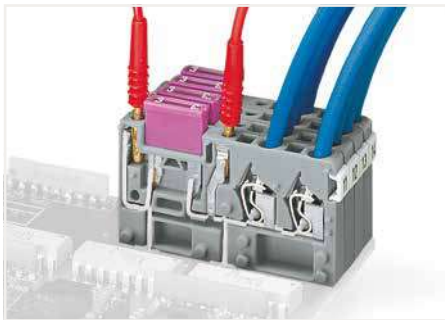
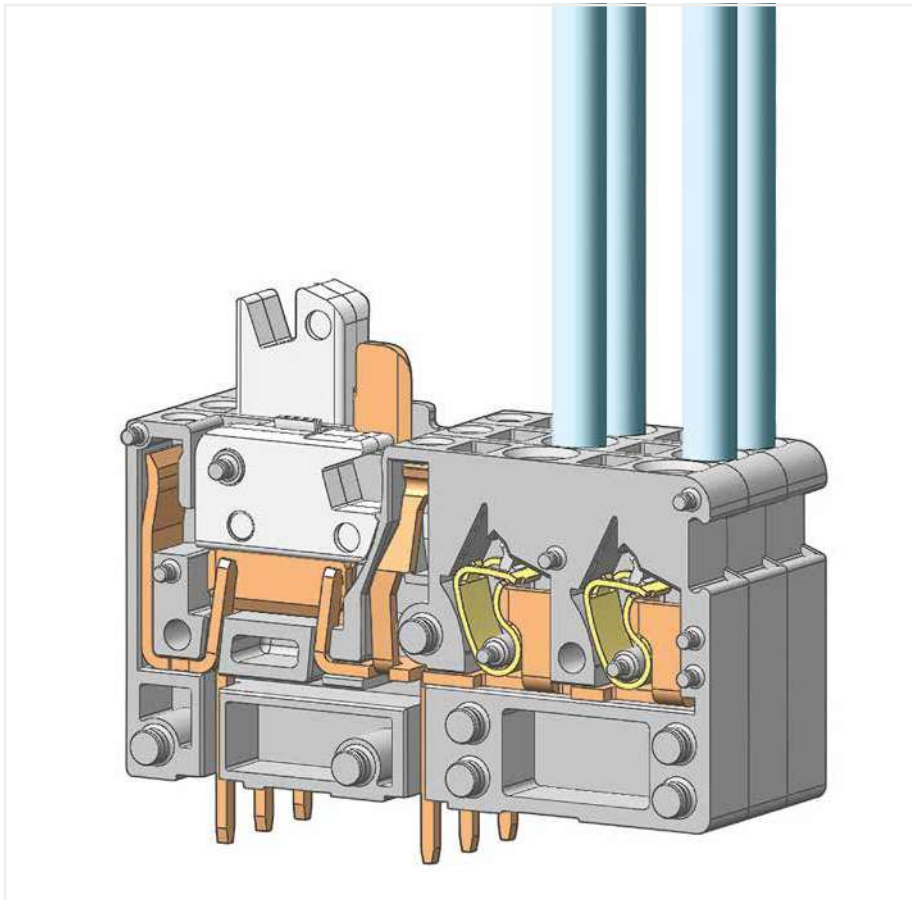
Testing all PCB disconnect terminal blocks via 2 mm or 2.3 mm Ø test plugs.



Opening a knife disconnect.

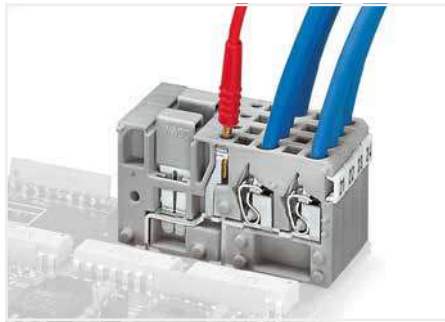


Distributing potentials via 3-conductor terminal blocks.

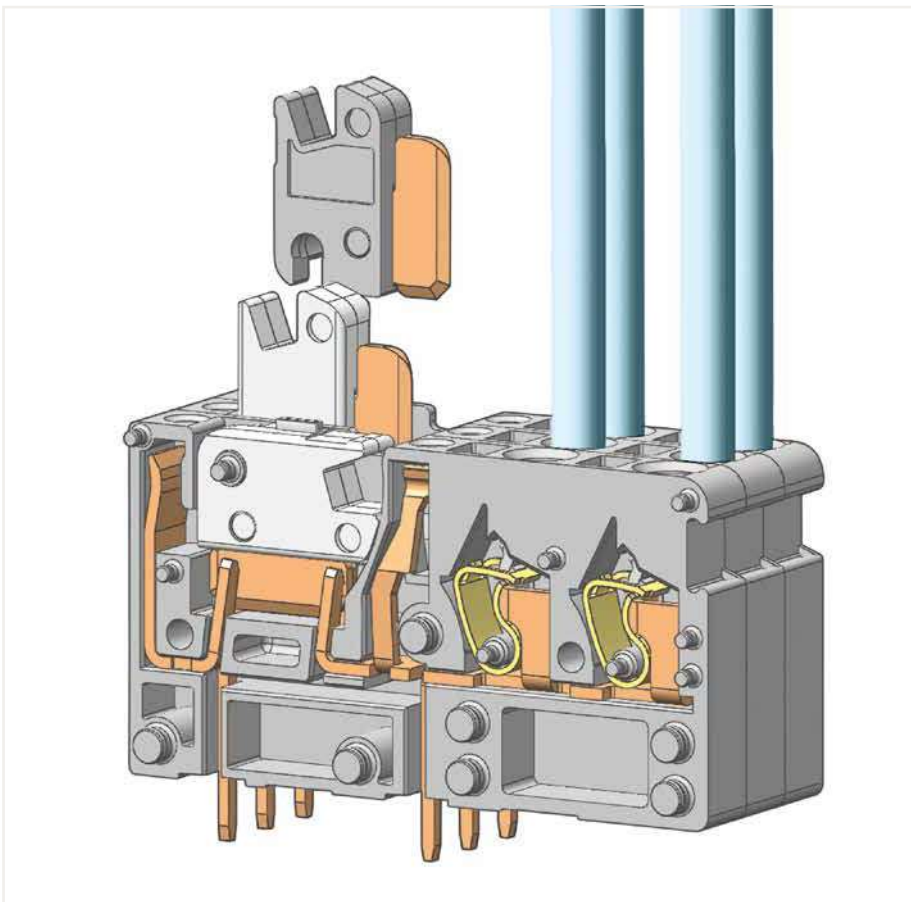


Testing all PCB fuse terminal blocks via 2 mm or 2.3 mm Ø test plugs.

742 Series Description and Installation



Testing all PCB terminal blocks via 2 mm or 2.3 mm Ø test plugs.



Disconnect terminal blocks with removable knife disconnect are available upon request.



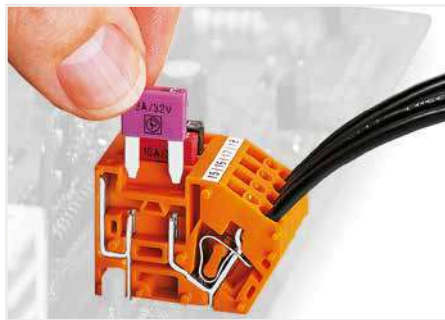
Mixed-color terminal strips are available upon request.



Mixed-color knife disconnect/test terminal strips are available upon request.



Commoning with adjacent jumpers – push jumpers down until fully inserted.



Inserting a fuse.



Custom PCB terminal strips are available upon request.

Stackable PCB terminal block ▶ 742 Series

Disconnect/test terminal block ▶ CAGE CLAMP® ▶ Actuation type: Operating tool ▶ 2.5 mm² ▶ Pin spacing: 5 mm / 0.197 inch ▶ Color: gray

1



- Modular PCB terminal blocks with screwdriver-actuated CAGE CLAMP® connection
- Power circuit disconnection via knife disconnect, e.g., for regular testing and measuring
- Test sockets on both sides of knife disconnect for 2.0 mm or 2.3 mm Ø test plugs
- 2- and 3-conductor PCB terminal blocks for distributing potentials independently of PCB
- Versions with removable knife disconnects available upon request

Electrical Data						
Pin spacing	5 mm / 0.197 inch			5 mm / 0.197 inch		
Number of connection points	1			2;3		
Ratings per	IEC/EN 60664-1			IEC/EN 60664-1		
Oversvoltage category	III	III	II	III	III	II
Pollution degree	3	2	2	3	2	2
Rated voltage	320 V	320 V	630 V	320 V	320 V	630 V
Rated impulse voltage	4 kV	4 kV	4 kV	4 kV	4 kV	4 kV
Rated current	16 A	16 A	16 A	16 A	16 A	16 A
Approbations per	UL 1059			UL 1059		
Use group	B	C	D	B	C	D
Rated voltage	300 V	-	300 V	300 V	-	300 V
Rated current	10 A	-	10 A	10 A	-	10 A
Approbations per	CSA			CSA		
Use group	B	C	D	B	C	D
Rated voltage	300 V	-	300 V	300 V	-	300 V
Rated current	16 A	-	10 A	10 A	-	10 A

Connection Data	
Connection technology	CAGE CLAMP®
Solid conductor	0.08 ... 2.5 mm ² / 28 ... 12 AWG
Fine-stranded conductor	0.08 ... 2.5 mm ² / 28 ... 12 AWG
Fine-stranded conductor; with insulated ferrule	0.25 ... 1.5 mm ²
Fine-stranded conductor; with uninsulated ferrule	0.25 ... 1.5 mm ²
Note (conductor cross-section)	12 AWG: THHN, THWN

Material Data	
Material group	I
Insulation material	Polyamide (PA66)
Flammability class per UL94	V0
Clamping spring material	Chrome nickel spring steel (CrNi)
Contact material	Electrolytic copper (E _{cu})
Contact plating	Tin-plated

Mechanical Data	
Solder pin arrangement	Within the terminal block (in-line)
Solder pin length	4 mm
Solder pin dimensions	1 x 0.8 mm
Drilled hole diameter with tolerance	1.4 ^(+0.1) mm

Environmental Requirements	
Limit temperature range	-60 ... +105 °C

Ferrule [Page 879](#)

Marking [Page 862](#)

Test and measurement [Page 886](#)

Tool [Page 870](#)

See technical section for further information

For approvals and corresponding ratings, visit www.wago.com

Stackable PCB terminal block ▶ 742 Series

Disconnect/test terminal block ▶ CAGE CLAMP® ▶ Actuation type: Operating tool ▶ 2.5 mm² ▶ Pin spacing: 5 mm / 0.197 inch ▶ Color: gray

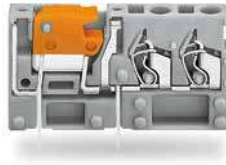
Conductor connection direction to PCB: 60° ▶ Number of connection points: 1 ▶ Strip length: 8 ... 9 mm / 0.31 ... 0.35 inch

Conductor connection direction to PCB: 90° ▶ Number of connection points: 2 ▶ Strip length: 6 ... 7 mm / 0.24 ... 0.28 inch

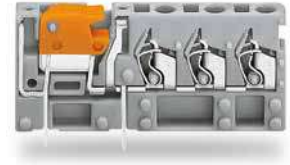
Conductor connection direction to PCB: 90° ▶ Number of connection points: 3 ▶ Strip length: 6 ... 7 mm / 0.24 ... 0.28 inch



742-101



742-151

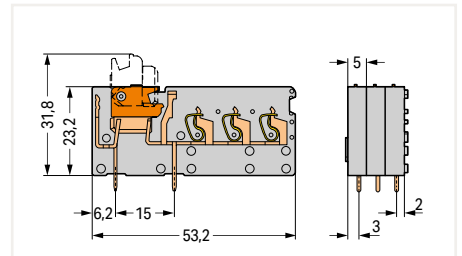
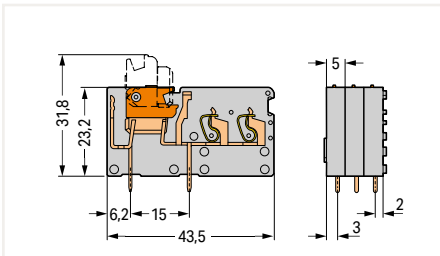
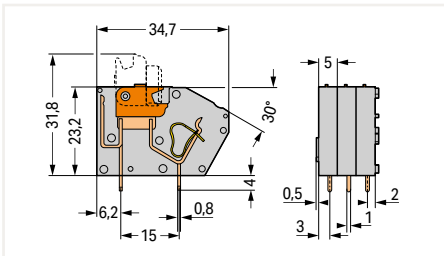


742-153

Color	Item No.	PU (SPU)
● gray	742-101	384 (96)

Color	Item No.	PU
● gray	742-151	200

Color	Item No.	PU
● gray	742-153	100



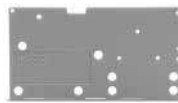
Item-Specific Accessories



End plate; Width: 1.5 mm; snap-on type

Color	Item No.	PU (SPU)
● gray	742-100	300 (100)

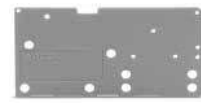
Item-Specific Accessories



End plate; Width: 1.5 mm; snap-on type

Color	Item No.	PU (SPU)
● gray	742-150	300 (100)

Item-Specific Accessories



End plate; Width: 1.5 mm; snap-on type

Color	Item No.	PU (SPU)
● gray	742-152	300 (100)

PU = Packaging Unit; SPU = Subpackaging Unit; Dimensions in mm

Stackable PCB terminal block ▶ 742 Series

Disconnect/test terminal block ▶ CAGE CLAMP® ▶ Actuation type: Operating tool ▶ 2.5 mm² ▶ Pin spacing: 5.08 mm / 0.2 inch ▶ Color: orange

1



- Modular PCB terminal blocks with screwdriver-actuated CAGE CLAMP® connection
- Power circuit disconnection via knife disconnect, e.g., for regular testing and measuring
- Test sockets on both sides of knife disconnect for 2.0 mm or 2.3 mm Ø test plugs
- 2- and 3-conductor PCB terminal blocks for distributing potentials independently of PCB
- Versions with removable knife disconnects available upon request

Electrical Data						
Pin spacing	5.08 mm / 0.2 inch			5.08 mm / 0.2 inch		
Number of connection points	1			2;3		
Ratings per	IEC/EN 60664-1			IEC/EN 60664-1		
Oversvoltage category	III	III	II	III	III	II
Pollution degree	3	2	2	3	2	2
Rated voltage	320 V	320 V	630 V	320 V	320 V	630 V
Rated impulse voltage	4 kV	4 kV	4 kV	4 kV	4 kV	4 kV
Rated current	16 A	16 A	16 A	16 A	16 A	16 A
Approbations per	UL 1059			UL 1059		
Use group	B	C	D	B	C	D
Rated voltage	300 V	-	300 V	300 V	-	300 V
Rated current	10 A	-	10 A	10 A	-	10 A
Approbations per	CSA			CSA		
Use group	B	C	D	B	C	D
Rated voltage	300 V	-	300 V	300 V	-	300 V
Rated current	16 A	-	10 A	10 A	-	10 A

Connection Data	
Connection technology	CAGE CLAMP®
Solid conductor	0.08 ... 2.5 mm ² / 28 ... 12 AWG
Fine-stranded conductor	0.08 ... 2.5 mm ² / 28 ... 12 AWG
Fine-stranded conductor; with insulated ferrule	0.25 ... 1.5 mm ²
Fine-stranded conductor; with uninsulated ferrule	0.25 ... 1.5 mm ²
Note (conductor cross-section)	12 AWG: THHN, THWN

Material Data	
Material group	I
Insulation material	Polyamide (PA66)
Flammability class per UL94	V0
Clamping spring material	Chrome nickel spring steel (CrNi)
Contact material	Electrolytic copper (E _{cu})
Contact plating	Tin-plated

Mechanical Data	
Solder pin arrangement	Within the terminal block (in-line)
Solder pin length	4 mm
Solder pin dimensions	1 x 0.8 mm
Drilled hole diameter with tolerance	1.4 ^(+0.1) mm

Environmental Requirements	
Limit temperature range	-60 ... +105 °C

Ferrule [Page 879](#)

Marking [Page 862](#)

Test and measurement [Page 886](#)

Tool [Page 870](#)

See technical section for further information

For approvals and corresponding ratings, visit www.wago.com

Stackable PCB terminal block ▶ 742 Series

Disconnect/test terminal block ▶ CAGE CLAMP® ▶ Actuation type: Operating tool ▶ 2.5 mm² ▶ Pin spacing: 5.08 mm / 0.2 inch ▶ Color: orange

Conductor connection direction to PCB: 60° ▶ Number of connection points: 1 ▶ Strip length: 8 ... 9 mm / 0.31 ... 0.35 inch

Conductor connection direction to PCB: 90° ▶ Number of connection points: 2 ▶ Strip length: 6 ... 7 mm / 0.24 ... 0.28 inch

Conductor connection direction to PCB: 90° ▶ Number of connection points: 3 ▶ Strip length: 6 ... 7 mm / 0.24 ... 0.28 inch



742-106



742-156

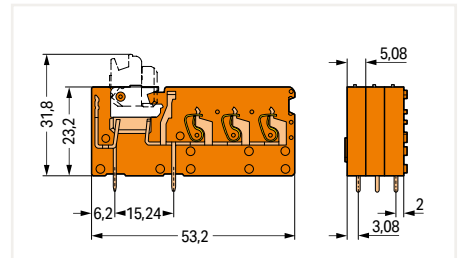
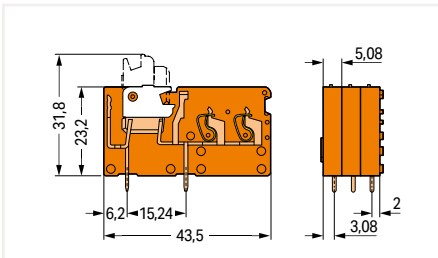
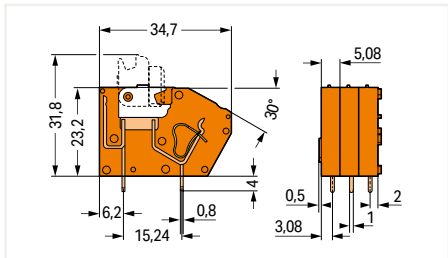


742-158

Color	Item No.	PU (SPU)
orange	742-106	384 (96)

Color	Item No.	PU
orange	742-156	200

Color	Item No.	PU
orange	742-158	100



Item-Specific Accessories



End plate; Width: 1.5 mm; snap-on type

Color	Item No.	PU (SPU)
orange	742-600	300 (100)

Item-Specific Accessories



End plate; Width: 1.5 mm; snap-on type

Color	Item No.	PU (SPU)
orange	742-650	300 (100)

Item-Specific Accessories



End plate; Width: 1.5 mm; snap-on type

Color	Item No.	PU (SPU)
orange	742-651	300 (100)

PU = Packaging Unit; SPU = Subpackaging Unit; Dimensions in mm

Stackable PCB terminal block ▶ 742 Series

Commoning option ▶ CAGE CLAMP® ▶ Actuation type: Operating tool ▶ 2.5 mm² ▶ Pin spacing: 5 mm / 0.197 inch

1



- Modular PCB terminal blocks with screwdriver-actuated CAGE CLAMP® connection
- Adjacent jumpers for multiplying and distributing potentials
- Disconnect and fuse PCB terminal blocks can be combined to form complex function assemblies
- Test socket for 2.0 mm and 2.3 mm Ø test plugs

Electrical Data						
Pin spacing	5 mm / 0.197 inch			5 mm / 0.197 inch		
Number of connection points	1			2		
Ratings per	IEC/EN 60664-1			IEC/EN 60664-1		
Overvoltage category	III	III	II	III	III	II
Pollution degree	3	2	2	3	2	2
Rated voltage	250 V	320 V	630 V	320 V	320 V	630 V
Rated impulse voltage	4 kV	4 kV	4 kV	4 kV	4 kV	4 kV
Rated current	16 A	16 A	16 A	16 A	16 A	16 A
Approbations per	UL 1059			UL 1059		
Use group	B	C	D	B	C	D
Rated voltage	300 V	-	300 V	300 V	-	300 V
Rated current	10 A	-	10 A	10 A	-	10 A
Approbations per	CSA			CSA		
Use group	B	C	D	B	C	D
Rated voltage	300 V	-	300 V	300 V	-	300 V
Rated current	16 A	-	10 A	10 A	-	10 A

Connection Data	
Connection technology	CAGE CLAMP®
Solid conductor	0.08 ... 2.5 mm ² / 28 ... 12 AWG
Fine-stranded conductor	0.08 ... 2.5 mm ² / 28 ... 12 AWG
Fine-stranded conductor; with insulated ferrule	0.25 ... 1.5 mm ²
Fine-stranded conductor; with uninsulated ferrule	0.25 ... 1.5 mm ²
Note (conductor cross-section)	12 AWG: THHN, THWN

Material Data	
Material group	I
Insulation material	Polyamide (PA66)
Flammability class per UL94	V0
Clamping spring material	Chrome nickel spring steel (CrNi)
Contact material	Electrolytic copper (E _{cu})
Contact plating	Tin-plated

Mechanical Data	
Solder pin arrangement	Within the terminal block (in-line)
Solder pin length	4 mm
Solder pin dimensions	1 x 0.8 mm
Drilled hole diameter with tolerance	1.4 ^(+0.1) mm

Environmental Requirements	
Limit temperature range	-60 ... +105 °C

Ferrule Page 879

Marking Page 862

Test and measurement Page 886

Tool Page 870

See technical section for further information

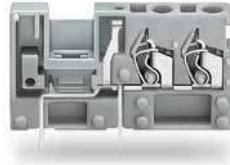
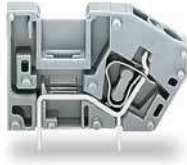
For approvals and corresponding ratings, visit www.wago.com

Stackable PCB terminal block ▶ 742 Series

Commoning option ▶ CAGE CLAMP® ▶ Actuation type: Operating tool ▶ 2.5 mm² ▶ Pin spacing: 5 mm / 0.197 inch

Conductor connection direction to PCB: 60° ▶ Number of connection points: 1 ▶ Strip length: 8 ... 9 mm / 0.31 ... 0.35 inch

Conductor connection direction to PCB: 90° ▶ Number of connection points: 2 ▶ Strip length: 6 ... 7 mm / 0.24 ... 0.28 inch

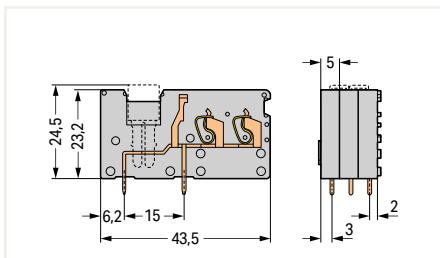
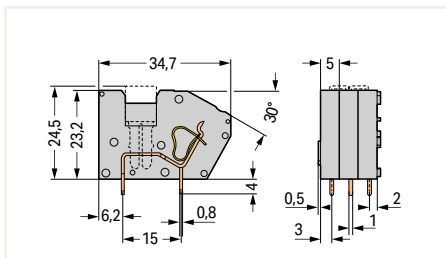


742-121

742-171

Color	Item No.	PU
gray	742-121	300
blue	742-124	300
green-yellow	742-128	300

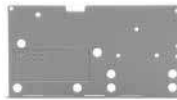
Color	Item No.	PU
gray	742-171	200
blue	742-174	200
green-yellow	742-178	200



Item-Specific Accessories



Item-Specific Accessories



End plate; Width: 1.5 mm; snap-on type

Color	Item No.	PU (SPU)
gray	742-100	300 (100)
blue	742-400	300 (100)
green-yellow	742-800	300 (100)

End plate; Width: 1.5 mm; snap-on type

Color	Item No.	PU (SPU)
gray	742-150	300 (100)
blue	742-450	300 (100)
green-yellow	742-850	300 (100)

Accessories; for all products on this page



Adjacent jumper; Width: 5 mm; Rated current: 24 A

Color	Item No.	PU (SPU)
gray	280-402	200 (25)

PU = Packaging Unit; SPU = Subpackaging Unit; Dimensions in mm

Stackable PCB terminal block ▶ 742 Series

Commoning option ▶ CAGE CLAMP® ▶ Actuation type: Operating tool ▶ 2.5 mm² ▶ Pin spacing: 5.08 mm / 0.2 inch ▶ Color: orange

1



- Modular PCB terminal blocks with screwdriver-actuated CAGE CLAMP® connection
- Adjacent jumpers for multiplying and distributing potentials
- Disconnect and fuse PCB terminal blocks can be combined to form complex function assemblies
- Test socket for 2.0 mm and 2.3 mm Ø test plugs

Electrical Data						
Pin spacing	5.08 mm / 0.2 inch			5.08 mm / 0.2 inch		
Number of connection points	1			2		
Ratings per	IEC/EN 60664-1			IEC/EN 60664-1		
Overvoltage category	III	III	II	III	III	II
Pollution degree	3	2	2	3	2	2
Rated voltage	250 V	320 V	630 V	320 V	320 V	630 V
Rated impulse voltage	4 kV	4 kV	4 kV	4 kV	4 kV	4 kV
Rated current	16 A	16 A	16 A	16 A	16 A	16 A
Approbations per	UL 1059			UL 1059		
Use group	B	C	D	B	C	D
Rated voltage	300 V	-	300 V	300 V	-	300 V
Rated current	10 A	-	10 A	10 A	-	10 A
Approbations per	CSA			CSA		
Use group	B	C	D	B	C	D
Rated voltage	300 V	-	300 V	300 V	-	300 V
Rated current	16 A	-	10 A	10 A	-	10 A

Connection Data	
Connection technology	CAGE CLAMP®
Solid conductor	0.08 ... 2.5 mm ² / 28 ... 12 AWG
Fine-stranded conductor	0.08 ... 2.5 mm ² / 28 ... 12 AWG
Fine-stranded conductor; with insulated ferrule	0.25 ... 1.5 mm ²
Fine-stranded conductor; with uninsulated ferrule	0.25 ... 1.5 mm ²
Note (conductor cross-section)	12 AWG: THHN, THWN

Material Data	
Material group	I
Insulation material	Polyamide (PA66)
Flammability class per UL94	V0
Clamping spring material	Chrome nickel spring steel (CrNi)
Contact material	Electrolytic copper (E _{cu})
Contact plating	Tin-plated

Mechanical Data	
Solder pin arrangement	Within the terminal block (in-line)
Solder pin length	4 mm
Solder pin dimensions	1 x 0.8 mm
Drilled hole diameter with tolerance	1.4 ^(+0.1) mm

Environmental Requirements	
Limit temperature range	-60 ... +105 °C

Ferrule [Page 879](#)

Marking [Page 862](#)

Test and measurement [Page 886](#)

Tool [Page 870](#)

See technical section for further information

For approvals and corresponding ratings, visit www.wago.com

Stackable PCB terminal block ▶ 742 Series

Commoning option ▶ CAGE CLAMP® ▶ Actuation type: Operating tool ▶ 2.5 mm² ▶ Pin spacing: 5.08 mm / 0.2 inch ▶ Color: orange

Conductor connection direction to PCB: 60° ▶ Number of connection points: 1 ▶ Strip length: 8 ... 9 mm / 0.31 ... 0.35 inch

Conductor connection direction to PCB: 90° ▶ Number of connection points: 2 ▶ Strip length: 6 ... 7 mm / 0.24 ... 0.28 inch



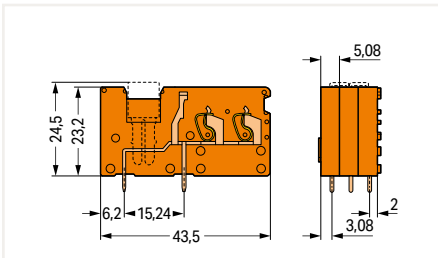
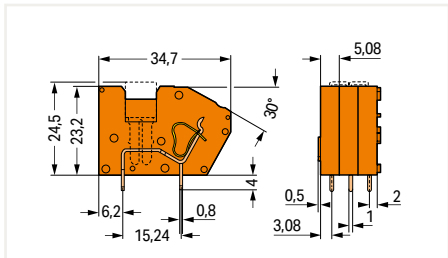
742-126



742-176

Color	Item No.	PU
orange	742-126	300

Color	Item No.	PU
orange	742-176	200



Item-Specific Accessories

Item-Specific Accessories



End plate; Width: 1.5 mm; snap-on type

Color	Item No.	PU (SPU)
orange	742-600	300 (100)

End plate; Width: 1.5 mm; snap-on type

Color	Item No.	PU (SPU)
orange	742-650	300 (100)

Accessories; for all products on this page



Adjacent jumper; Width: 5 mm; Rated current: 24 A

Color	Item No.	PU (SPU)
gray	280-402	200 (25)

PU = Packaging Unit; SPU = Subpackaging Unit; Dimensions in mm

Stackable PCB terminal block ▶ 742 Series

Fuse terminal block ▶ CAGE CLAMP® ▶ Actuation type: Operating tool ▶ 2.5 mm² ▶ Pin spacing: 5 mm / 0.197 inch ▶ Color: gray

1



- Modular PCB terminal blocks with screwdriver-actuated CAGE CLAMP® connection
- Quick, easy replacement of mini-automotive blade-style fuses in the event of a fault
- Test sockets on both sides of fuse for 2.0 mm or 2.3 mm Ø test plugs
- Observe protection against direct contact for voltages of 42 V and higher!
- 2- and 3-conductor PCB terminal blocks for distributing potentials independently of PCB

Electrical Data						
Pin spacing	5 mm / 0.197 inch			5 mm / 0.197 inch		
Number of connection points	1			2,3		
Individual arrangement						
Ratings per	IEC/EN 60664-1			IEC/EN 60664-1		
Overvoltage category	III	III	II	III	III	II
Pollution degree	3	2	2	3	2	2
Rated voltage	320 V	320 V	630 V	320 V	320 V	630 V
Rated impulse voltage	4 kV	4 kV	4 kV	4 kV	4 kV	4 kV
Rated current	15 A	15 A	15 A	15 A	15 A	15 A
Approbations per	UL 1059			UL 1059		
Use group	B	C	D	B	C	D
Rated voltage	300 V	-	300 V	300 V	-	300 V
Rated current	10 A	-	10 A	10 A	-	10 A
Approbations per	CSA			CSA		
Use group	B	C	D	B	C	D
Rated voltage	300 V	-	300 V	300 V	-	300 V
Rated current	16 A	-	10 A	10 A	-	10 A
Block arrangement						
Ratings per	IEC/EN 60664-1			IEC/EN 60664-1		
Overvoltage category	III	III	II	III	III	II
Pollution degree	3	2	2	3	2	2
Rated voltage	320 V	320 V	630 V	320 V	320 V	630 V
Rated impulse voltage	4 kV	4 kV	4 kV	4 kV	4 kV	4 kV
Rated current	10 A	10 A	10 A	10 A	10 A	10 A

Connection Data	
Connection technology	CAGE CLAMP®
Solid conductor	0.08 ... 2.5 mm ² / 28 ... 12 AWG
Fine-stranded conductor	0.08 ... 2.5 mm ² / 28 ... 12 AWG
Fine-stranded conductor; with insulated ferrule	0.25 ... 1.5 mm ²
Fine-stranded conductor; with uninsulated ferrule	0.25 ... 1.5 mm ²
Note (conductor cross-section)	12 AWG: THHN, THWN

Material Data	
Material group	I
Insulation material	Polyamide (PA66)
Flammability class per UL94	V0
Clamping spring material	Chrome nickel spring steel (CrNi)
Contact material	Electrolytic copper (E _{cu})
Contact plating	Tin-plated

Mechanical Data	
Solder pin arrangement	Within the terminal block (in-line)
Solder pin length	4 mm
Solder pin dimensions	1 x 0.8 mm
Drilled hole diameter with tolerance	1.4 ^(+0.1) mm

Environmental Requirements	
Limit temperature range	-60 ... +105 °C

Ferrule	Page 879
Marking	Page 862
Test and measurement	Page 886
Tool	Page 870

See technical section for further information

For approvals and corresponding ratings, visit www.wago.com

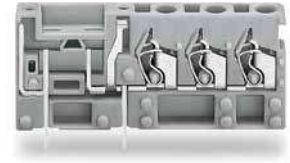
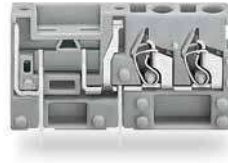
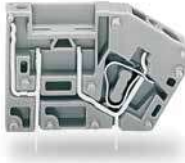
Stackable PCB terminal block ▶ 742 Series

Fuse terminal block ▶ CAGE CLAMP® ▶ Actuation type: Operating tool ▶ 2.5 mm² ▶ Pin spacing: 5 mm / 0.197 inch ▶ Color: gray

Conductor connection direction to PCB: 60° ▶ Number of connection points: 1 ▶ Strip length: 8 ... 9 mm / 0.31 ... 0.35 inch

Conductor connection direction to PCB: 90° ▶ Number of connection points: 2 ▶ Strip length: 6 ... 7 mm / 0.24 ... 0.28 inch

Conductor connection direction to PCB: 90° ▶ Number of connection points: 3 ▶ Strip length: 6 ... 7 mm / 0.24 ... 0.28 inch



742-111

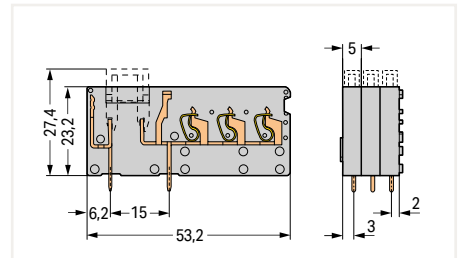
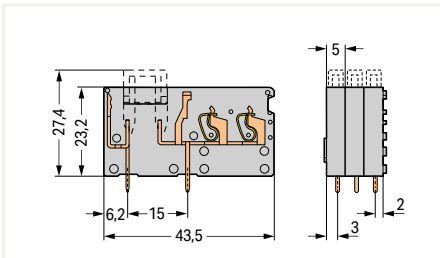
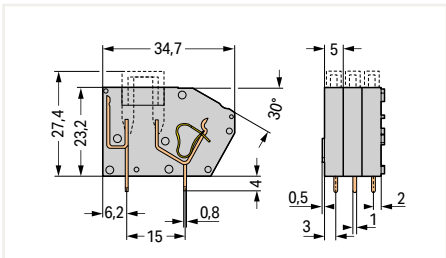
742-161

742-163

Color	Item No.	PU
● gray	742-111	300

Color	Item No.	PU
● gray	742-161	200

Color	Item No.	PU
● gray	742-163	100



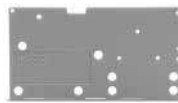
Item-Specific Accessories



End plate; Width: 1.5 mm; snap-on type

Color	Item No.	PU (SPU)
● gray	742-100	300 (100)

Item-Specific Accessories



End plate; Width: 1.5 mm; snap-on type

Color	Item No.	PU (SPU)
● gray	742-150	300 (100)

Item-Specific Accessories



End plate; Width: 1.5 mm; snap-on type

Color	Item No.	PU (SPU)
● gray	742-152	300 (100)

PU = Packaging Unit; SPU = Subpackaging Unit; Dimensions in mm

Stackable PCB terminal block ▶ 742 Series

Fuse terminal block ▶ CAGE CLAMP® ▶ Actuation type: Operating tool ▶ 2.5 mm² ▶ Pin spacing: 5.08 mm / 0.2 inch ▶ Color: orange

1



- Modular PCB terminal blocks with screwdriver-actuated CAGE CLAMP® connection
- Quick, easy replacement of mini-automotive blade-style fuses in the event of a fault
- Test sockets on both sides of fuse for 2.0 mm or 2.3 mm Ø test plugs
- Observe protection against direct contact for voltages of 42 V and higher!
- 2- and 3-conductor PCB terminal blocks for distributing potentials independently of PCB

Electrical Data						
Pin spacing	5.08 mm / 0.2 inch			5.08 mm / 0.2 inch		
Number of connection points	1			2,3		
Individual arrangement						
Ratings per	IEC/EN 60664-1			IEC/EN 60664-1		
Overvoltage category	III	III	II	III	III	II
Pollution degree	3	2	2	3	2	2
Rated voltage	320 V	320 V	630 V	320 V	320 V	630 V
Rated impulse voltage	4 kV	4 kV	4 kV	4 kV	4 kV	4 kV
Rated current	15 A	15 A	15 A	15 A	15 A	15 A
Approvals per	UL 1059			UL 1059		
Use group	B	C	D	B	C	D
Rated voltage	300 V	-	300 V	300 V	-	300 V
Rated current	10 A	-	10 A	10 A	-	10 A
Approvals per	CSA			CSA		
Use group	B	C	D	B	C	D
Rated voltage	300 V	-	300 V	300 V	-	300 V
Rated current	16 A	-	10 A	10 A	-	10 A
Block arrangement						
Ratings per	IEC/EN 60664-1			IEC/EN 60664-1		
Overvoltage category	III	III	II	III	III	II
Pollution degree	3	2	2	3	2	2
Rated voltage	320 V	320 V	630 V	320 V	320 V	630 V
Rated impulse voltage	4 kV	4 kV	4 kV	4 kV	4 kV	4 kV
Rated current	10 A	10 A	10 A	10 A	10 A	10 A
Connection Data						
Connection technology	CAGE CLAMP®					
Solid conductor	0.08 ... 2.5 mm ² / 28 ... 12 AWG					
Fine-stranded conductor	0.08 ... 2.5 mm ² / 28 ... 12 AWG					
Fine-stranded conductor; with insulated ferrule	0.25 ... 1.5 mm ²					
Fine-stranded conductor; with uninsulated ferrule	0.25 ... 1.5 mm ²					
Note (conductor cross-section)	12 AWG: THHN, THWN					
Material Data						
Material group	I					
Insulation material	Polyamide (PA66)					
Flammability class per UL94	V0					
Clamping spring material	Chrome nickel spring steel (CrNi)					
Contact material	Electrolytic copper (E _{cu})					
Contact plating	Tin-plated					
Mechanical Data						
Solder pin arrangement	Within the terminal block (in-line)					
Solder pin length	4 mm					
Solder pin dimensions	1 x 0.8 mm					
Drilled hole diameter with tolerance	1.4 ^(+0.1) mm					
Environmental Requirements						
Limit temperature range	-60 ... +105 °C					

Ferrule	Page 879
Marking	Page 862
Test and measurement	Page 886
Tool	Page 870
See technical section for further information	
For approvals and corresponding ratings, visit www.wago.com	

Stackable PCB terminal block ▶ 742 Series

Fuse terminal block ▶ CAGE CLAMP® ▶ Actuation type: Operating tool ▶ 2.5 mm² ▶ Pin spacing: 5.08 mm / 0.2 inch ▶ Color: orange

Conductor connection direction to PCB: 60° ▶ Number of connection points: 1 ▶ Strip length: 8 ... 9 mm / 0.31 ... 0.35 inch

Conductor connection direction to PCB: 90° ▶ Number of connection points: 2 ▶ Strip length: 6 ... 7 mm / 0.24 ... 0.28 inch

Conductor connection direction to PCB: 90° ▶ Number of connection points: 3 ▶ Strip length: 6 ... 7 mm / 0.24 ... 0.28 inch

1



742-116

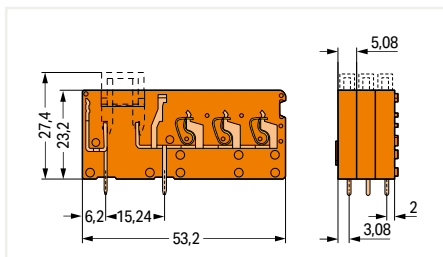
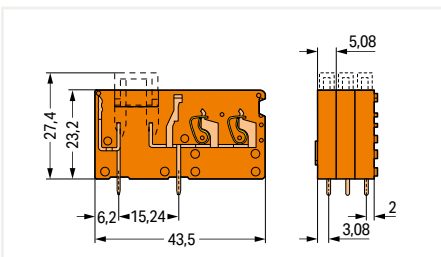
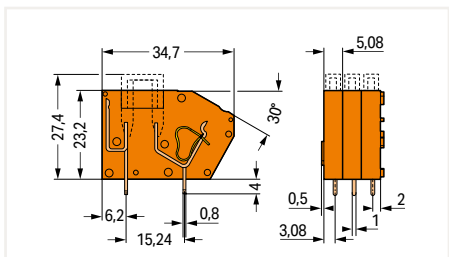
742-166

742-168

Color	Item No.	PU
orange	742-116	300

Color	Item No.	PU
orange	742-166	200

Color	Item No.	PU
orange	742-168	100



Item-Specific Accessories

Item-Specific Accessories

Item-Specific Accessories



End plate; Width: 1.5 mm; snap-on type

Color	Item No.	PU (SPU)
orange	742-600	300 (100)

End plate; Width: 1.5 mm; snap-on type

Color	Item No.	PU (SPU)
orange	742-650	300 (100)

End plate; Width: 1.5 mm; snap-on type

Color	Item No.	PU (SPU)
orange	742-651	300 (100)

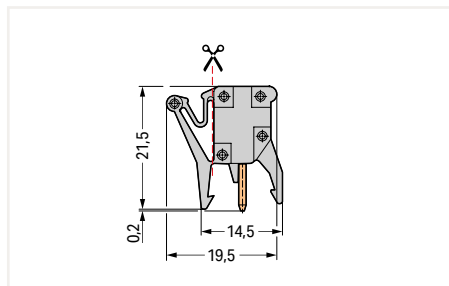
PU = Packaging Unit; SPU = Subpackaging Unit; Dimensions in mm

Test Plug Adapters for 255, 256 and 257 Series PCB Terminal Blocks

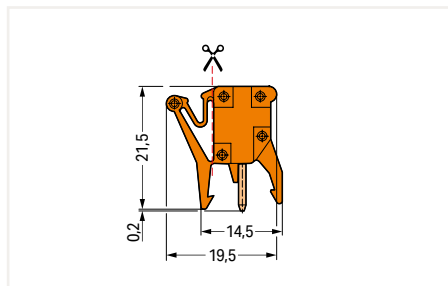
1



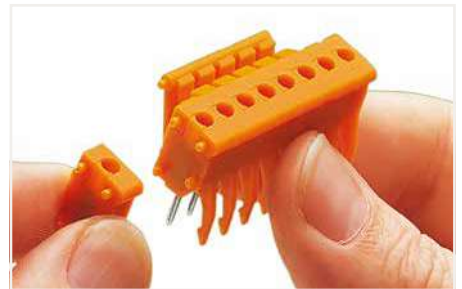
Test plug adapter; 1-pole; with socket for 2 mm and 2.3 mm Ø test plugs; modular; gray			Test plug adapter; 1-pole; with socket for 2 mm and 2.3 mm Ø test plugs; modular; orange		
Pin spacing	Item No.	PU (SPU)	Pin spacing	Item No.	PU (SPU)
5 mm / 0.197 inch	249-110	100 (25)	5.08 mm / 0.2 inch	249-111	100 (25)
7.5 mm / 0.295 inch	249-112	100 (25)	7.62 mm / 0.3 inch	249-113	100 (25)
10 mm / 0.394 inch	249-114	100 (25)	10.16 mm / 0.4 inch	249-115	100 (25)



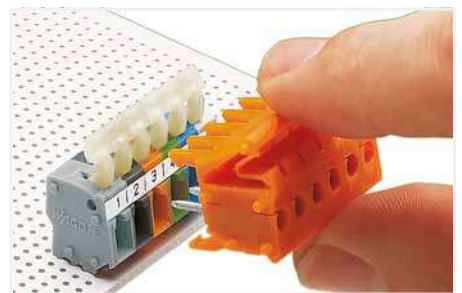
Cutting mark for separating the retaining clip and its snap-in mounting foot



Cutting mark for separating the retaining clip and its snap-in mounting foot



Assembling a multipole test plug adapter.

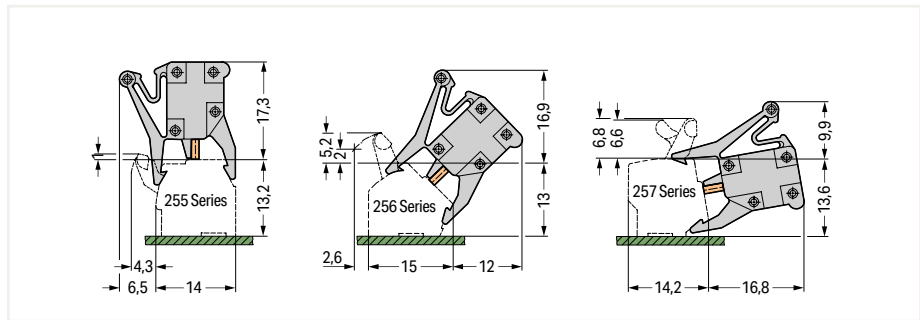


Inserting a 6-pole test plug adapter into a terminal strip.

Electrical Data	Pin Spacing:	Pin Spacing:	Pin Spacing:
	5/5.08 mm (0.197/0.2 inch)	7.5/7.62 mm (0.295/0.3 inch)	10/10.16 mm (0.394/0.4 inch)
Ratings per	IEC/EN 60664-1	IEC/EN 60664-1	IEC/EN 60664-1
Overvoltage category	III	III	III
Pollution degree	2	2	2
Rated voltage	320 V	320 V	320 V
Rated impulse voltage	4 kV	4 kV	4 kV



Testing a wired PCB terminal strip.



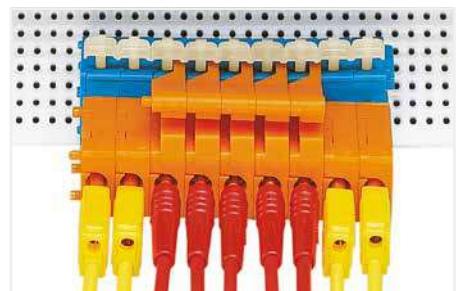
Adapters with snap-in mounting foot cut off assembled on both ends (7 to 9 poles)

Adapters with snap-in mounting foot cut off in center position (10 to 15 poles)

For lengths longer than 7 poles, the snap-in mounting foot with retaining clip should be cut off (see example below).

Adapters A: Snap-in mounting foot with retaining clip cut off

Adapters B: Standard version



9-pole test plug adapter with cut-off snap-in mounting feet and retaining clips on both ends

PU = Packaging Unit; SPU = Subpackaging Unit; Dimensions in mm

Comb-Style Jumper Bars for 745, 2706 and 2716 Series PCB Terminal Blocks



5 mm (0.197 inch) pin spacing; for 745 Series – 4 mm²

Jumper Type	Item No.	PU (SPU)
1 to 3	745-181	250 (50)
2-way	745-182	250 (50)
3-way	745-183	250 (50)
4-way	745-184	200 (50)
5-way	745-185	200 (50)
10-way	745-180	200 (50)

7.5 mm (0.295 inch) pin spacing; for 745 Series – 6 mm² and 2706 Series

Jumper Type	Item No.	PU (SPU)
1 to 3	745-381	250 (50)
2-way	745-382	250 (50)
3-way	745-383	250 (50)
4-way	745-384	200 (50)
5-way	745-385	200 (50)
10-way	745-380	200 (50)

10 mm (0.394 inch) pin spacing; for 745 Series – 16 mm² and 2716 Series

Jumper Type	Item No.	PU (SPU)
1 to 3	745-581	400 (50)
2-way	745-582	400 (50)
3-way	745-583	300 (50)
4-way	745-584	200 (50)
5-way	745-585	200 (50)

7.5 mm (0.295 inch) pin spacing; for 745 Series – 4 mm²

Jumper Type	Item No.	PU (SPU)
1 to 3	745-191	250 (50)
2-way	745-192	250 (50)
3-way	745-193	250 (50)
4-way	745-194	200 (50)
5-way	745-195	200 (50)
10-way	745-190	200 (50)

10 mm (0.394 inch) pin spacing; for 745 Series – 6 mm² and 2706 Series

Jumper Type	Item No.	PU (SPU)
1 to 3	745-391	250 (50)
2-way	745-392	250 (50)
3-way	745-393	250 (50)
4-way	745-394	200 (50)
5-way	745-395	200 (50)
10-way	745-390	200 (50)

15 mm (0.591 inch) pin spacing; for 745 Series – 16 mm² and 2716 Series

Jumper Type	Item No.	PU (SPU)
1 to 3	745-631	200 (50)
2-way	745-632	200 (50)
3-way	745-633	200 (50)
4-way	745-634	200 (50)
5-way	745-635	200 (50)

10 mm (0.394 inch) pin spacing; for 745 Series – 4 mm²

Jumper Type	Item No.	PU (SPU)
1 to 3	745-281	250 (50)
2-way	745-282	250 (50)
3-way	745-283	250 (50)
4-way	745-284	200 (50)
5-way	745-285	200 (50)
10-way	745-280	150 (50)

20 mm (0.787 inch) pin spacing; for 745 Series – 16 mm² and 2716 Series

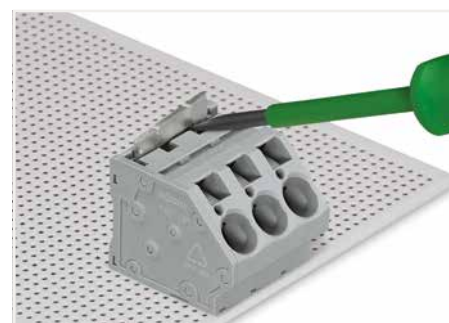
Jumper Type	Item No.	PU (SPU)
1 to 3	745-681	300 (50)
2-way	745-682	400 (50)
3-way	745-683	200 (50)
4-way	745-684	200 (50)
5-way	745-685	200 (50)



Inserting a comb-style jumper bar.



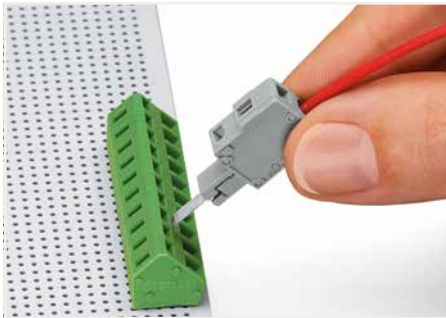
Push jumper bar down firmly using a screwdriver until it hits the backstop – 745 Series.



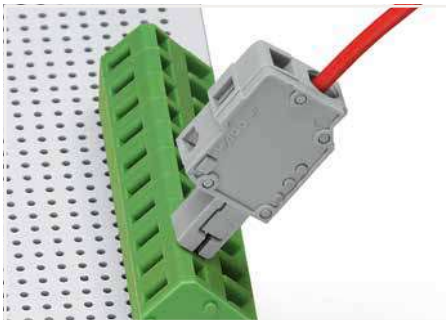
To remove the jumper bar, lift it up using a screwdriver – 745 Series.

Test Plug Modules; A-Type Contact; for 236, 736, 737 and 738 Series PCB Terminal Blocks (Testing unwired terminal blocks)

1



Inserting a test plug module into the operating slot.



Unwired terminal strip with inserted test plug module



Contact type A:
Testing only when unwired.

Test plug module; with 10 mm contact lug; for 236 Series; snaps together; gray

Pin spacing	Item No.	PU (SPU)
5 mm / 0.197 inch	231-127	100
7.5 mm / 0.295 inch	231-161	100

Test plug module; with 10 mm contact lug; for 236 Series; snaps together; orange

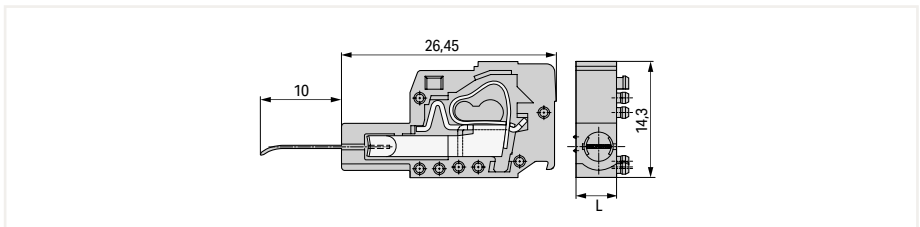
Pin spacing	Item No.	PU (SPU)
5.08 mm / 0.2 inch	231-128	100
7.62 mm / 0.3 inch	231-125	100

Test plug module; with 17 mm contact lug; for 280, 736, 737, 738 and 780 Series; snaps together; gray

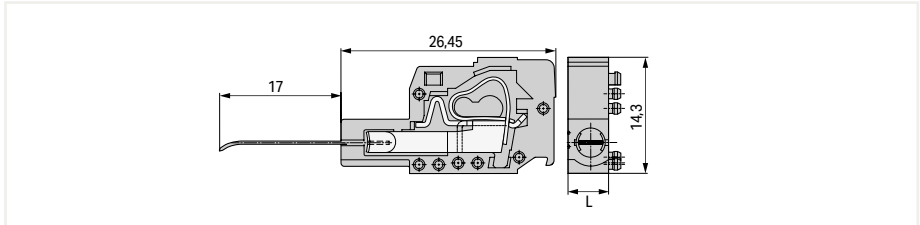
Pin spacing	Item No.	PU (SPU)
5 mm / 0.197 inch	231-126	100

Test plug module; with 17 mm contact lug; for 280, 736, 737, 738 and 780 Series; snaps together; orange

Pin spacing	Item No.	PU (SPU)
5.08 mm / 0.2 inch	231-426	100



L = Pin spacing



L = Pin spacing

Electrical Data	
Ratings per	IEC/EN 60664-1
Overvoltage category	III
Pollution degree	2
Rated voltage (III/2)	250 V*
Rated surge voltage (III / 2)	2,5 kV
Rated current	0,5 A

End plate	
Connection technology	CAGE CLAMP*
Strip length	12 ... 13 mm / 0.47 ... 0.51 inch
Solid conductor	0,08 ... 2,5 mm ² / 28 ... 12 AWG
Fine-stranded conductor	0,08 ... 2,5 mm ² / 28 ... 12 AWG

Accessories; for all products on this page



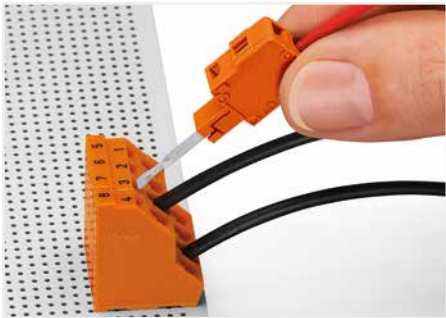
End plate		
Color	Item No.	PU (SPU)
○ gray	231-100	200

End plate		
Color	Item No.	PU (SPU)
● orange	231-300	200

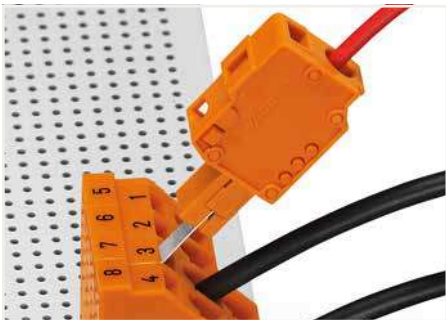
* (III / 2) ≙ Overvoltage category III / Pollution degree 2

PU = Packaging Unit; SPU = Subpackaging Unit; Dimensions in mm

Test Plug Modules; B-Type Contact, for 736, 737 and 738 Series PCB Terminal Blocks (Testing wired terminal blocks with 0.75 ... 1.5 mm² "f-st" or 0.5 mm² "sol." conductors)



Inserting a test plug module into the operating slot.



Wired terminal strip with inserted test plug module



Contact type B:
Testing only when wired –
0.75 ... 1.5 mm² "f-st" or 0.5 mm² "sol."

Test plug module, with 18 mm contact lug, for 280, 736, 737, 738 and 780 Series, snaps together, gray

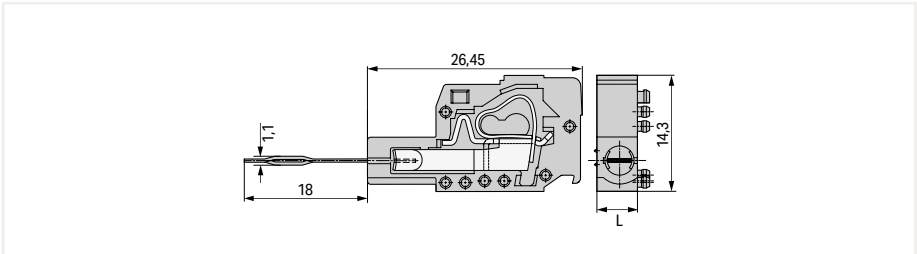
Pin spacing	Item No.	PU (SPU)
5 mm / 0.197 inch	231-155	100

Prüfsteckermodul; mit Kontaktzunge 18 mm; für Serien 736 und 737; anreihbar, grau

Pin spacing	Item No.	PU (SPU)
7.5 mm / 0.295 inch	231-456	100

Test plug module, with 18 mm contact lug, for 736, 737 and 738 Series, snaps together, orange

Pin spacing	Item No.	PU (SPU)
5.08 mm / 0.2 inch	231-455	100



L = Pin spacing

Electrical Data

Ratings per		IEC/EN 60664-1
Overvoltage category		III
Pollution degree		2
Rated voltage (III/2)		250 V*
Rated surge voltage (III / 2)		2,5 kV
Rated current		0,5 A

Connection Data

Connection technology	CAGE CLAMP*
Strip length	12 ... 13 mm / 0.47 ... 0.51 inch
Solid conductor	0.08 ... 2.5 mm ² / 28 ... 12 AWG
Fine-stranded conductor	0.08 ... 2.5 mm ² / 28 ... 12 AWG

Accessories; for all products on this page



End plate		
Color	Item No.	PU (SPU)
○ gray	231-100	200

End plate		
Color	Item No.	PU (SPU)
● orange	231-300	200

* (III / 2) ≙ Overvoltage category III / Pollution degree 2

PU = Packaging Unit; SPU = Subpackaging Unit; Dimensions in mm

Commoning Strips for PCB Terminal Strips 236, 255, 256, 257, 736, 737 and 738 Series

1

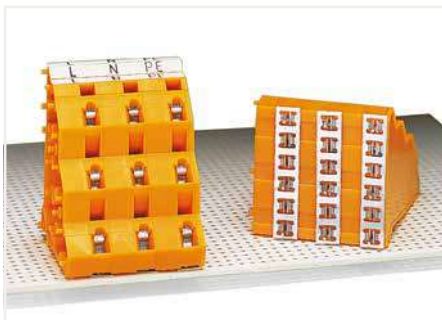


Horizontal commoning:

Connect adjacent potentials, e.g., as:

- "-" strip in connection modules for actuators with higher switching power
- Ground commoning strip for applications where the ground conductor shall not be looped over PCB tracks (max. short-time withstand current: 70 A/mm² for one second – observe the normative requirements of the end application!)

Note: Interruption of horizontal commoning reduces spacing to the adjacent solder pins.



Vertical commoning (only for 736 and 737 Series

starting from 7.5 mm/0.295 inch pin spacing):

Connect the (in-line) solder pins of a PCB terminal block to one potential, e.g., as:

- 3-conductor supply and distribution PCB terminal block (up to 10 A)
- Intelligent circuit modifications without changing the track layout are also possible.

WAGO's commoning strips allow PCB terminal strips to be commoned to suit customer requirements. Due to the many combination possibilities, the commoning strips can only be fitted onto the solder pins at the factory. Please refer to the order form on pages 1.70 and 1.71.

Furthermore, these commoning strips allow terminal blocks of a same potential to be created.

Commoning strips are available for the following pin spacing:

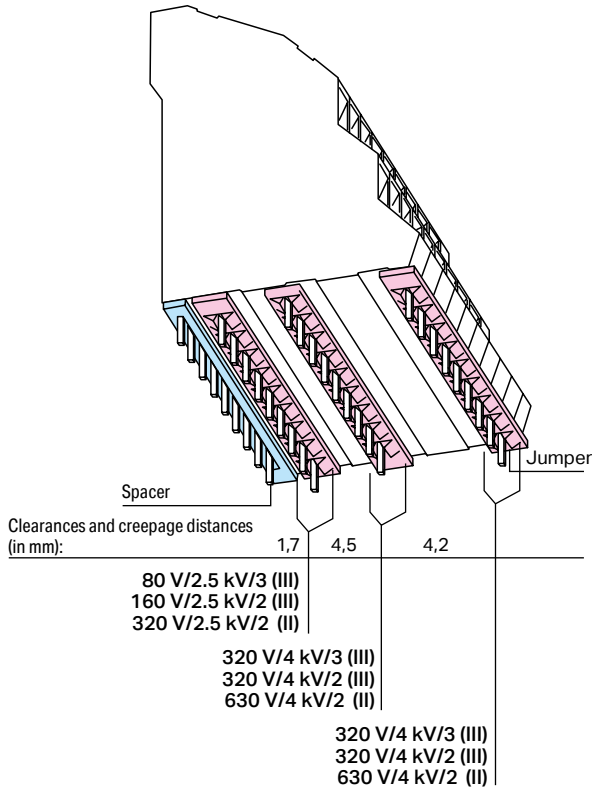
- 5 mm, 5.08 mm (up to 20 poles)
- 7.5 mm, 7.62 mm (up to 16 poles)
- 10 mm, 10.16 mm (up to 12 poles)

A spacer provides height compensation for the solder pins that are not commoned.

Technical Information on "Commoned PCB Terminal Strips"

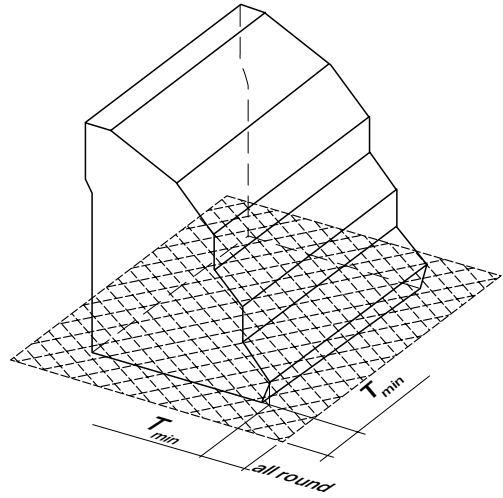
Use of commoning strips must account for both the specific conditions of the planned application, as well as relevant standards for the normal operating conditions in which operational failures (can) occur.

Horizontal commoning (236, 255, 256, 257, 736, 737, 738 Series)



- Pin spacing combination is only possible with 5 mm, 5.08 mm, 10 mm and 10.16 mm.
- In-line or staggered arrangement of solder pins (736, 737, 738 Series).
- 236 Series: Versions with only one solder pin cannot be commoned.
- In case of different potentials within one level, ensure that at least one interim terminal block must remain uncommoned in order to maintain the necessary creepage distances and clearances (see also the ordering example).

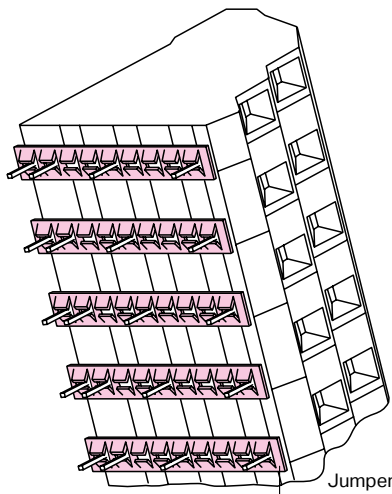
Distances to adjacent potentials



Recommendation: $T_{min} = 5 \text{ mm}$

Please note that the distance between the commoning strips and adjacent potentials must comply with requirements for the end application as specified in the relevant standard.

Vertical commoning (only possible with 736/737 Series Multilevel PCB Terminal Blocks)



Pin spacing:	Creepage distance (in mm):	Clearance (in mm):	Voltage:
7.5 mm, 7.62 mm	1,7	1,7	80 V/2.5 kV/3 (III)
	1,7	1,7	160 V/2.5 kV/2 (III)
			320 V/2.5 kV/2 (II)
10 mm, 10.16 mm	4,2	4,2	320 V/4 kV/3 (III)
	4,2	4,2	320 V/4 kV/2 (III)
			630 V/4 kV/2 (II)

- Not possible with 5 mm and 5.08 mm pin spacing
- Solder pins always arranged in line

Order Form "Commoned PCB Terminal Strips"

236, 255, 256, 257, 736
737, 738 Series

Company:

Drawing No.:

WAGO Item No.:

Change	5			
	4			
	3			
	2			
	1			
Original	Change Note	Date	Name	

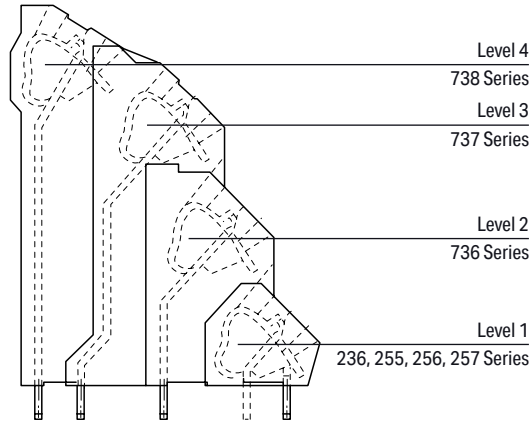
Page of

Release Note:

Ordering example:
Horizontal commoning



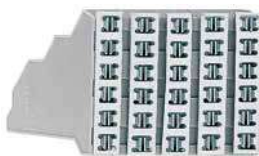
Terminal strip design



hier: Bei Klemmenleisten mit gemischten Rastermaßen ist für jede Einzelklemme

Änderungsstand Pos.	Bestellnr.	Rastermaß (mm)	Brückungsbild				Beschriftung
			Stockwerk				
Abschlussplatte: bei Serie 736, 737, 738			Längsbrückung <input type="checkbox"/>	Querbrückung <input checked="" type="checkbox"/>	Klemmenkennzeichnung in Leserichtung		
1							
2							
3							
4							
5	737-312	5		B			
6							
7							
8							
9							
10				B	B		
11							
12							
13							
14							
15							
16							
17							

Ordering example: Vertical commoning



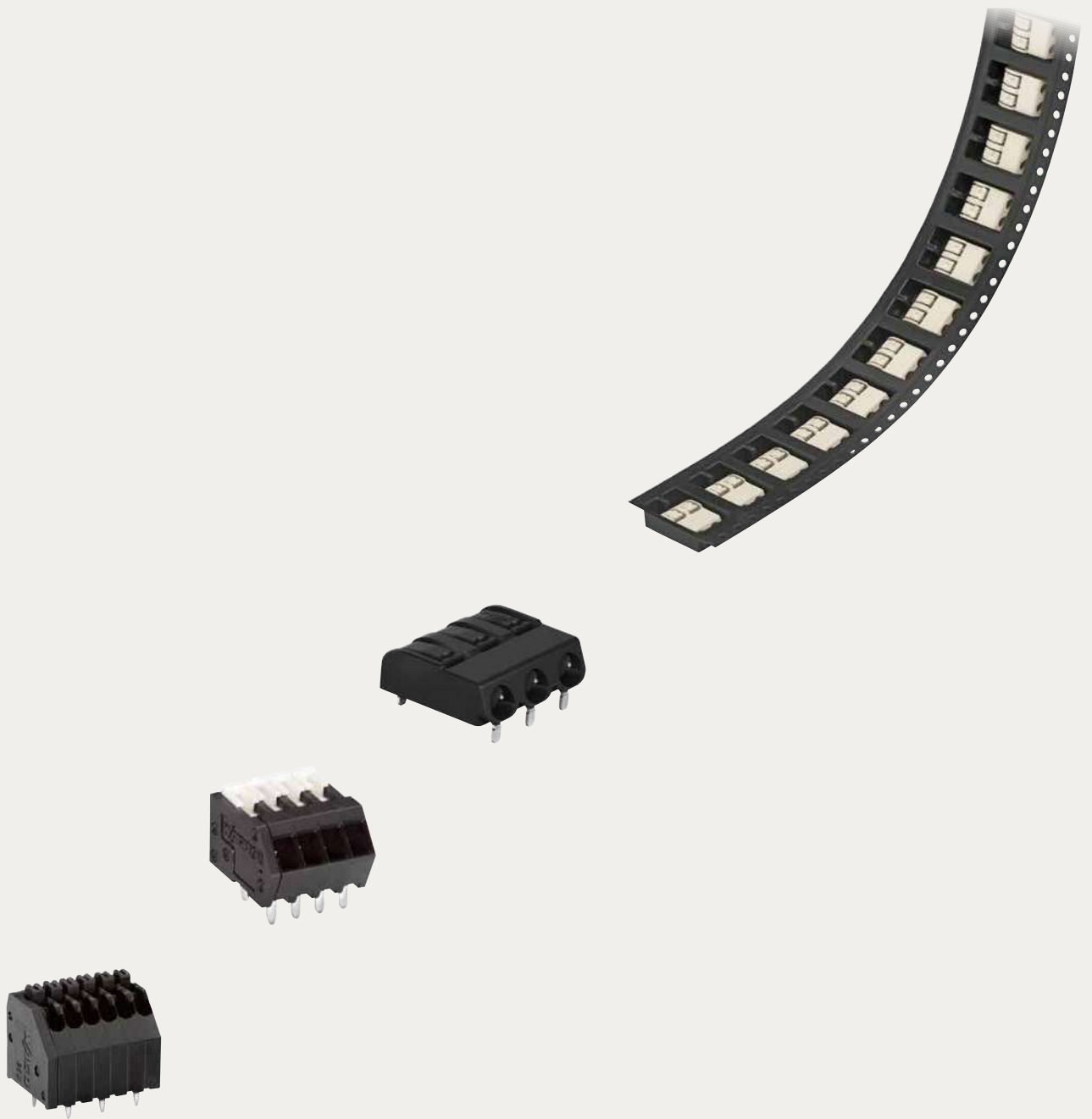
hier: Bei Klemmenleisten mit gemischten Rastermaßen ist für jede Einzelklemme

Änderungsstand Pos.	Bestellnr.	Rastermaß (mm)	Brückungsbild				Beschriftung
			Stockwerk				
Abschlussplatte: bei Serie 736, 737, 738			Längsbrückung <input checked="" type="checkbox"/>	Querbrückung <input type="checkbox"/>	Klemmenkennzeichnung in Leserichtung		
1							
2	737-504	7,5					
3							
4							
5				B			
6							
7							
8							
9							
10							
11							
12							
13							
14							
15							
16							
17							

Spacers are always installed at the factory. For mixed-pin-spacing terminal strips, enter the pin spacing, not the item number of each individual terminal block.







Item Changed	Item Position	Item No.	Pin Spacing (mm)	Commoning				Marking					
				B = Jumper				Level					
				4	3	2	1	4	3	2	1		
End plate: for 736, 737, 738 Series				Vertical commoning <input type="checkbox"/>				Terminal block marking in read direction <input type="checkbox"/>					
1													
2													
3													
4													
5													
6													
7													
8													
9													
10													
11													
12													
13													
14													
15													
16													
17													
18													
19													
20													
21													
22													
23													
24													
25													
26													
27													
28													
29													
30													
31													
32													
33													

End plate: for 236, 255, 256, 257 Series



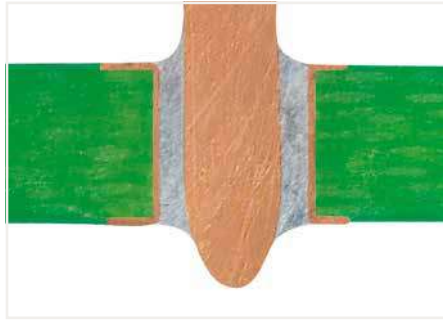
WAGO THR PCB Terminal Blocks

WAGO THR PCB Terminal Blocks

	Nominal Cross-Section	Series	Page
	0.75 mm ² 1.5 mm ²	2060 2061	270 276
	1.5; 2.5 mm ²	250	286
	1.5 mm ²	805	290
	2.5 mm ²	236	292
	2.5 mm ²	218	294
			298
			861

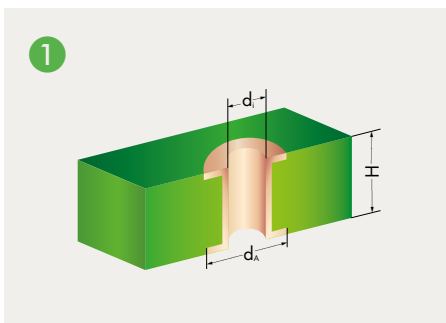
THR (Through-Hole Reflow) Soldering Process

2



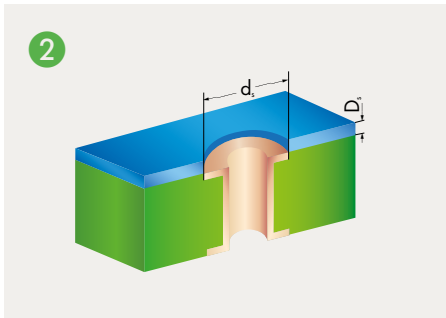
By using high-temperature-resistant plastic and a streamlined pin design, WAGO's THR male headers and PCB terminal blocks meet requirements for SMT process capability while maintaining the necessary stability. Both headers and terminal blocks are simply pushed into the solder paste-filled PCB holes and then soldered along with the SMT components via reflow soldering. The previous wave soldering process is no longer necessary. The result is a perfect connection – both mechanically and electrically.

Terminal strips with an additional suction pad in tape-and-reel packaging per IEC 60286-3 WAGO recommends both a temperature profile that adheres to EN 61760-1 and the use of forced convection ovens for processing THR components.



Metal-plated PCB bore hole

Series	d _i (mm)	d _A (mm)	H (mm)	d _s (mm)	D _s (μm)	d (mm)	L (mm)
218	1.1 ^{+0.1}	1.9	<2	1.8	150	0.9	2.8
231 (1 x 1 mm)	1.4 ^{+0.1}	2.5	<2	2.4	150	1.2	2.4
231 (1.2 x 1.2 mm)	1.7 ^{+0.1}	2.8	<2	2.7	150	1.5	2.4
236	1.1 ^{+0.1}	2.2	<2	2.1	150	0.9	3.6
250	1.1 ^{+0.1}	2.0	<2	1.9	150	0.9	2.4
713	1.0 ^{+0.1}	1.9	<2	1.8	150	1.0	2.4
733	1.2 ^{+0.1}	1.9	<2	1.8	150	1.0	2.4
734	1.4 ^{+0.1}	2.5	<2	2.4	150	1.2	2.4
2060	1.5 ^{+0.1}	2.4	<2	2.3	150	1.25	2.4
2061	1.5 ^{+0.1}	2.4	<2	2.3	150	1.25	1.5/2.4
2086	1.0 ^{+0.1}	2.0	<2	1.9	150	0.85	1.5/2.4



SMD positioning pattern

d_i: Plated through-hole diameter

d_A: Outer diameter of metal-plated PCB hole*

H: PCB thickness

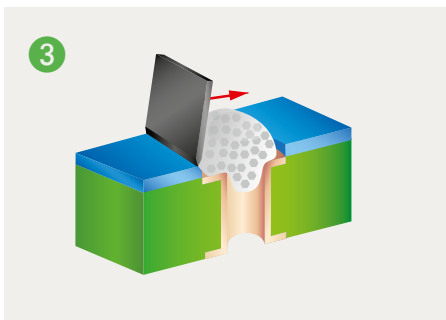
d_s: Pattern hole diameter

D_s: Pattern thickness

d: Pin diagonal

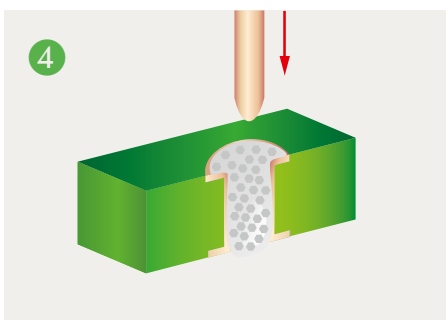
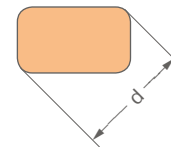
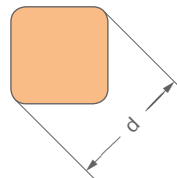
L: Pin length

* When laying out the metal-plated bore holes, the clearance and creepage distance requirements – as specified in the equipment standards – must be considered.

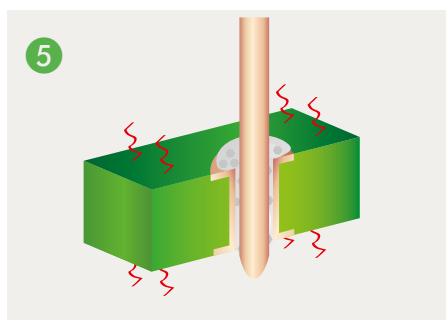


Solder paste application

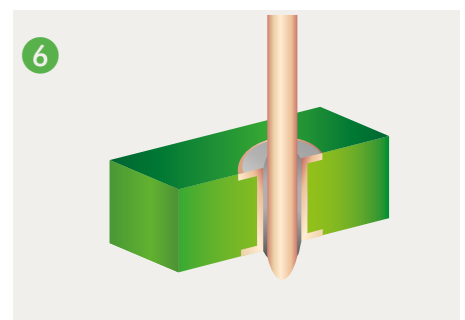
Solder pin form



Component assembly, automatic/by hand



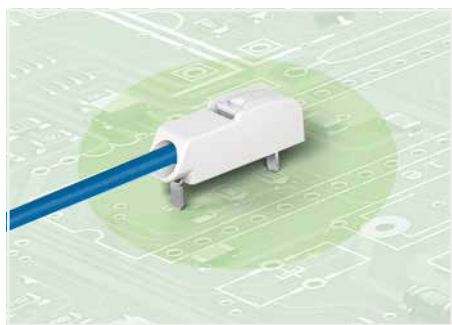
Reflow soldering process



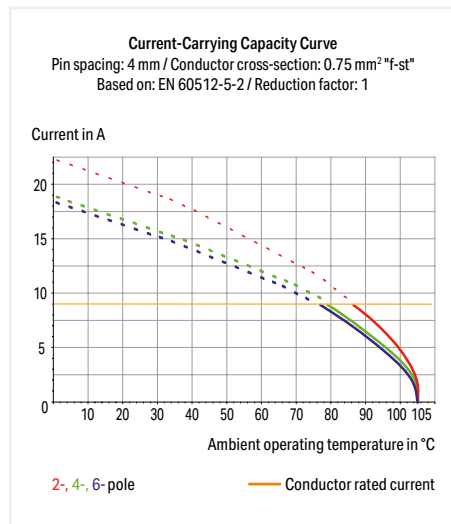
THR soldering joint

THR PCB terminal block ▶ 2060 Series

Push-in CAGE CLAMP® ▶ Actuation type: Push-button ▶ 0.75 mm² ▶ Pin spacing: 4 mm / 0.157 inch ▶ Solder pin length: 2.4 mm



- THR PCB terminal blocks with Push-in CAGE CLAMP® connection technology and push-buttons
- Push-in termination of solid and ferruled conductors
- Convenient termination/removal of fine-stranded conductors via push-buttons
- Just 4.5 mm tall
- Available in tape-and-reel packaging for automated assembly
- Also suitable for wave soldering



Electrical Data

Pin spacing	4 mm / 0.157 inch		
Ratings per	IEC/EN 60664-1		
Overvoltage category	III	III	II
Pollution degree	3	2	2
Rated voltage	63 V	160 V	320 V
Rated impulse voltage	2.5 kV	2.5 kV	2.5 kV
Rated current	9 A	9 A	9 A
Approbations per	UL 1977		
Rated voltage	600 V		
Rated current	9 A		

Connection Data

Connection technology	Push-in CAGE CLAMP®
Strip length	6 ... 7 mm / 0.24 ... 0.28 inch
Conductor connection direction to PCB	0°
Solid conductor	0.2 ... 0.75 mm ² / 24 ... 18 AWG
Fine-stranded conductor	0.2 ... 0.75 mm ² / 24 ... 18 AWG
Fine-stranded conductor; with insulated ferrule	0.25 ... 0.34 mm ²
Fine-stranded conductor; with uninsulated ferrule	0.25 ... 0.34 mm ²

Material Data

Material group	I
Insulation material	Polyphthalamide (PPA GF)
Flammability class per UL94	V0
Clamping spring material	Chrome nickel spring steel (CrNi)
Contact material	Copper alloy
Contact plating	Tin-plated

Mechanical Data

Solder pin arrangement	Within the terminal block (in-line)
Solder pin length	2.4 mm
Solder pin dimensions	1.2 x 0.75 mm
Plated through-hole diameter (THR)	1.5 ^(+0.1) mm
Reel diameter of tape-and-reel packaging	330 mm

Environmental Requirements

Limit temperature range	-60 ... +105 °C
-------------------------	-----------------

Application notes:

Suitable for lead-free, reflow-soldering profiles per DIN EN 61760-1 and IEC 60068-2-58 up to max. 260°C peak temperature. Due to application-specific variables (component configuration and orientation, type of soldering machine, solder paste), trial runs are recommended to ensure product and process compatibility under actual manufacturing conditions.

Depending on reflow soldering temperatures and times, color deviations may occur. These deviations will have no impact on functionality.

Recommendation for stencil:

150 µm material thickness

Stencil hole diameter identical to metal-plated PCB hole outer diameter

THR soldering Page 268

Ferrule Page 879

Tool Page 299

See technical section for further information

For approvals and corresponding ratings, visit www.wago.com

THR PCB terminal block ▶ 2060 Series

Push-in CAGE CLAMP® ▶ Actuation type: Push-button ▶ 0.75 mm² ▶ Pin spacing: 4 mm / 0.157 inch ▶ Solder pin length: 2.4 mm

Color: white

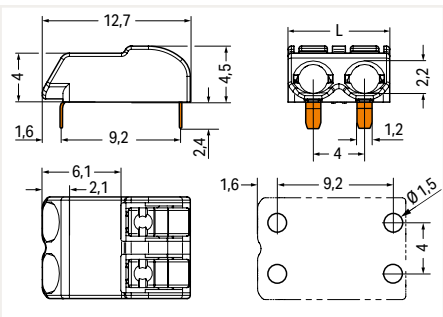
Color: black



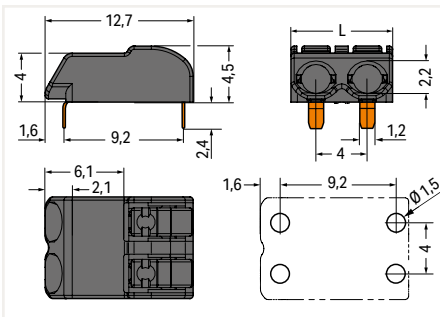
Insert solid conductors via push-in termination.

Pole No.	Item No.	PU (SPU)
1	2060-1451/998-404	10800 (1200)

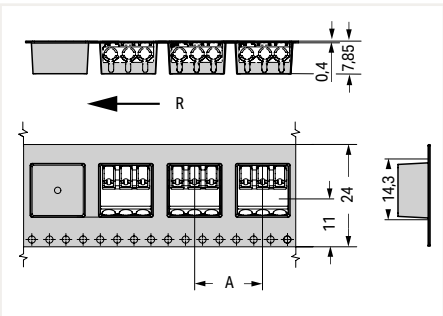
Pole No.	Item No.	PU (SPU)
1	2060-1471/998-404	10800 (1200)



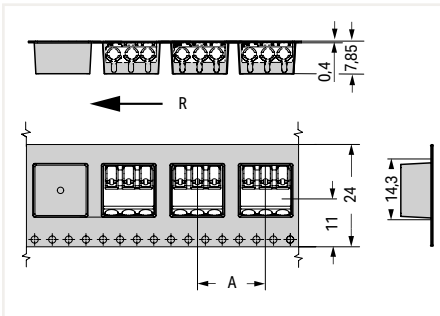
L = (pole no. x pin spacing) – 0.1 mm



L = (pole no. x pin spacing) – 0.1 mm



R = feed direction
A = (pole no. x pin spacing) + 4 mm



R = feed direction
A = (pole no. x pin spacing) + 4 mm



Insert/remove fine-stranded conductors by lightly pressing on push-button, e.g., via optional operating tool (206-860).

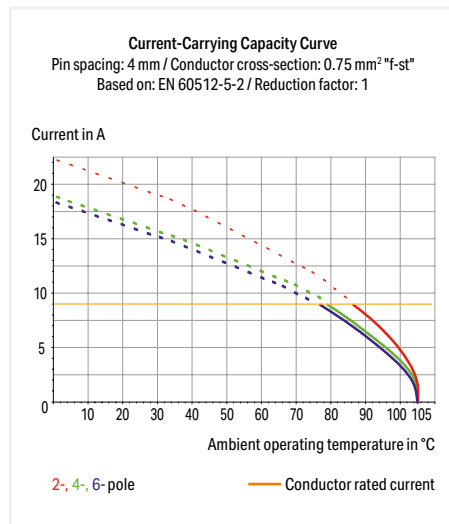
2

THR PCB terminal block ▶ 2060 Series

Push-in CAGE CLAMP® ▶ Actuation type: Push-button ▶ 0.75 mm² ▶ Pin spacing: 4 mm / 0.157 inch ▶ Solder pin length: 2.4 mm



- THR PCB terminal blocks with Push-in CAGE CLAMP® connection technology and push-buttons
- Push-in termination of solid and ferruled conductors
- Convenient termination/removal of fine-stranded conductors via push-buttons
- Just 4.5 mm tall
- Available in tape-and-reel packaging for automated assembly
- Also suitable for wave soldering



Electrical Data			
Pin spacing	4 mm / 0.157 inch		
Ratings per	IEC/EN 60664-1		
Overvoltage category	III	III	II
Pollution degree	3	2	2
Rated voltage	63 V	160 V	320 V
Rated impulse voltage	2.5 kV	2.5 kV	2.5 kV
Rated current	9 A	9 A	9 A
Approbations per	UL 1977		
Rated voltage	320 V		
Rated current	9 A		

Connection Data	
Connection technology	Push-in CAGE CLAMP®
Strip length	6 ... 7 mm / 0.24 ... 0.28 inch
Conductor connection direction to PCB	0°
Solid conductor	0.2 ... 0.75 mm ² / 24 ... 18 AWG
Fine-stranded conductor	0.2 ... 0.75 mm ² / 24 ... 18 AWG
Fine-stranded conductor; with insulated ferrule	0.25 ... 0.34 mm ²
Fine-stranded conductor; with uninsulated ferrule	0.25 ... 0.34 mm ²

Material Data	
Material group	I
Insulation material	Polyphthalamide (PPA GF)
Flammability class per UL94	V0
Clamping spring material	Chrome nickel spring steel (CrNi)
Contact material	Copper alloy
Contact plating	Tin-plated

Mechanical Data	
Solder pin arrangement	Over the entire terminal strip (in-line)
Solder pin length	2.4 mm
Solder pin dimensions	1.2 x 0.75 mm
Plated through-hole diameter (THR)	1.5 ^(+0.1) mm
Reel diameter of tape-and-reel packaging	330 mm

Environmental Requirements	
Limit temperature range	-60 ... +105 °C

Application notes:

Suitable for lead-free, reflow-soldering profiles per DIN EN 61760-1 and IEC 60068-2-58 up to max. 260°C peak temperature. Due to application-specific variables (component configuration and orientation, type of soldering machine, solder paste), trial runs are recommended to ensure product and process compatibility under actual manufacturing conditions.

Depending on reflow soldering temperatures and times, color deviations may occur. These deviations will have no impact on functionality.

Recommendation for stencil:

150 µm material thickness
Stencil hole diameter identical to metal-plated PCB hole outer diameter

THR soldering Page 268

Ferrule Page 879

Tool Page 299

See technical section for further information

For approvals and corresponding ratings, visit www.wago.com

THR PCB terminal block ▶ 2060 Series

Push-in CAGE CLAMP® ▶ Actuation type: Push-button ▶ 0.75 mm² ▶ Pin spacing: 4 mm / 0.157 inch ▶ Solder pin length: 2.4 mm

Color: white

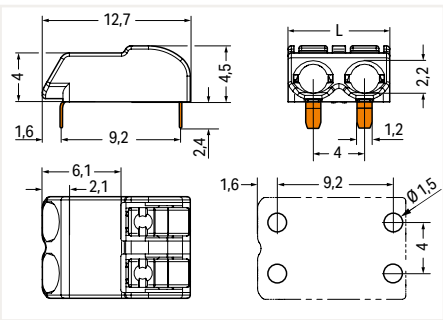


Color: black

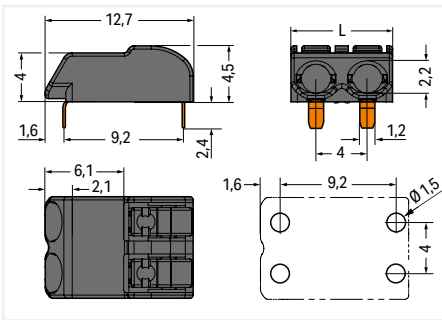


Pole No.	Item No.	PU (SPU)
2	2060-1452/998-404	6750 (750)
3	2060-1453/998-404	4950 (550)

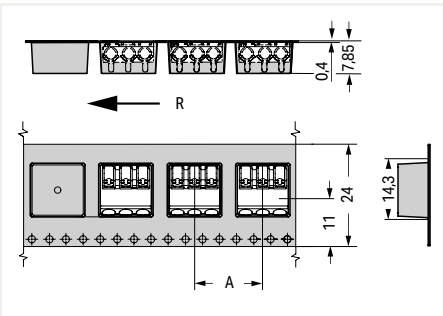
Pole No.	Item No.	PU (SPU)
2	2060-1472/998-404	6750 (750)
3	2060-1473/998-404	4950 (550)



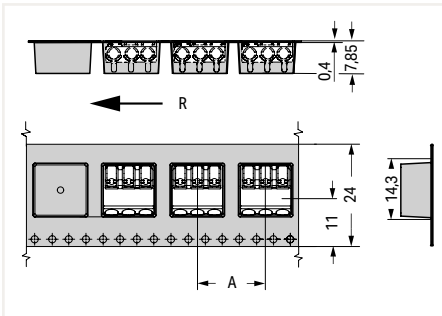
L = (pole no. x pin spacing) - 0.1 mm



L = (pole no. x pin spacing) - 0.1 mm



R = feed direction
A = (pole no. x pin spacing) + 4 mm



R = feed direction
A = (pole no. x pin spacing) + 4 mm



Insert solid conductors via push-in termination.



Insert/remove fine-stranded conductors by lightly pressing on push-button, e.g., via optional operating tool (206-860).

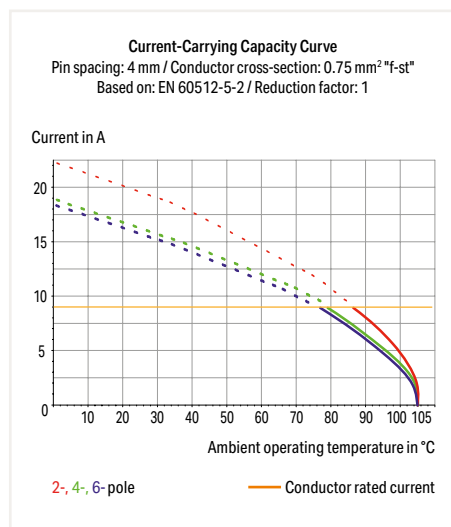
2

THR PCB terminal block ▶ 2060 Series

Push-in CAGE CLAMP® ▶ Actuation type: Push-button ▶ 0.75 mm² ▶ Pin spacing: 8 mm / 0.314 inch ▶ Solder pin length: 2.4 mm



- THR PCB terminal blocks with Push-in CAGE CLAMP® connection technology and push-buttons
- Push-in termination of solid and ferruled conductors
- Convenient termination/removal of fine-stranded conductors via push-buttons
- Just 4.5 mm tall
- Available in tape-and-reel packaging for automated assembly
- Also suitable for wave soldering



Electrical Data			
Pin spacing	8 mm / 0.314 inch		
Ratings per	IEC/EN 60664-1		
Overvoltage category	III	III	II
Pollution degree	3	2	2
Rated voltage	400 V	630 V	1000 V
Rated impulse voltage	6 kV	6 kV	6 kV
Rated current	9 A	9 A	9 A

Connection Data	
Connection technology	Push-in CAGE CLAMP®
Strip length	6 ... 7 mm / 0.24 ... 0.28 inch
Conductor connection direction to PCB	0°
Solid conductor	0.2 ... 0.75 mm ² / 24 ... 18 AWG
Fine-stranded conductor	0.2 ... 0.75 mm ² / 24 ... 18 AWG
Fine-stranded conductor; with insulated ferrule	0.25 ... 0.34 mm ²
Fine-stranded conductor; with uninsulated ferrule	0.25 ... 0.34 mm ²

Material Data	
Material group	I
Insulation material	Polyphthalamide (PPA GF)
Flammability class per UL94	V0
Clamping spring material	Chrome nickel spring steel (CrNi)
Contact material	Copper alloy
Contact plating	Tin-plated

Mechanical Data	
Solder pin arrangement	Over the entire terminal strip (in-line)
Solder pin length	2.4 mm
Solder pin dimensions	1.2 x 0.75 mm
Plated through-hole diameter (THR)	1.5 ^(+0.1) mm
Reel diameter of tape-and-reel packaging	330 mm

Environmental Requirements	
Limit temperature range	-60 ... +105 °C

Application notes:

Suitable for lead-free, reflow-soldering profiles per DIN EN 61760-1 and IEC 60068-2-58 up to max. 260°C peak temperature. Due to application-specific variables (component configuration and orientation, type of soldering machine, solder paste), trial runs are recommended to ensure product and process compatibility under actual manufacturing conditions.

Depending on reflow soldering temperatures and times, color deviations may occur. These deviations will have no impact on functionality.

Recommendation for stencil:

150 µm material thickness

Stencil hole diameter identical to metal-plated PCB hole outer diameter

THR soldering Page 268

Ferrule Page 879

Tool Page 299

See technical section for further information

For approvals and corresponding ratings, visit www.wago.com

THR PCB terminal block ▶ 2060 Series

Push-in CAGE CLAMP® ▶ Actuation type: Push-button ▶ 0.75 mm² ▶ Pin spacing: 8 mm / 0.314 inch ▶ Solder pin length: 2.4 mm

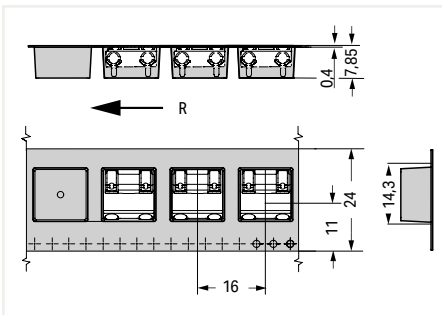
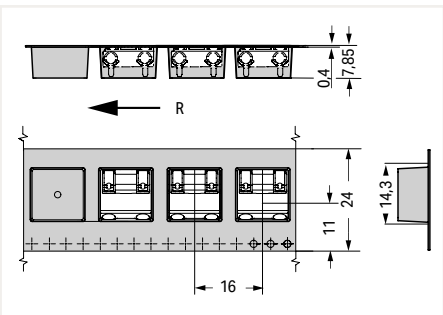
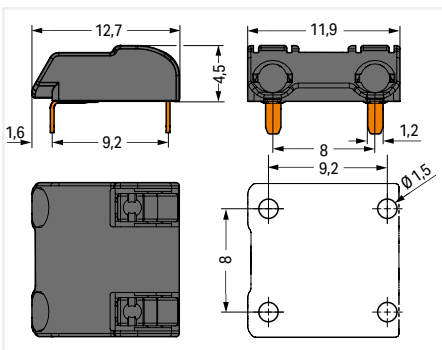
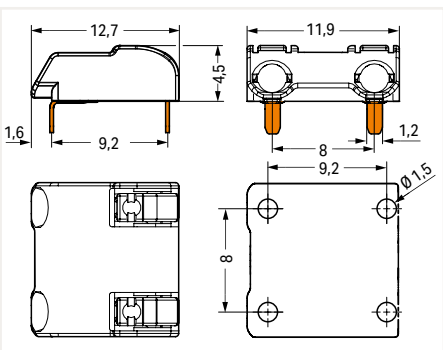
Color: white

Color: black



Pole No.	Item No.	PU (SPU)
2	2060-1852/998-404	4950 (550)

Pole No.	Item No.	PU (SPU)
2	2060-1872/998-404	4950 (550)



R = feed direction

R = feed direction



Insert solid conductors via push-in termination.



Insert/remove fine-stranded conductors by lightly pressing on push-button, e.g., via optional operating tool (206-860).

2

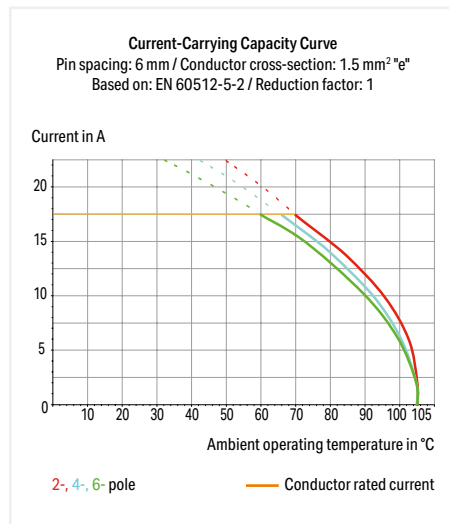
THR PCB terminal block ▶ 2061 Series

Push-in CAGE CLAMP® ▶ Actuation type: Push-button ▶ 1.5 mm² ▶ Pin spacing: 6 mm / 0.24 inch ▶

Solder pin length: 1.5 mm



- THR PCB terminal blocks with Push-in CAGE CLAMP® connection technology and push-buttons
- Push-in termination of solid and ferruled conductors
- Convenient termination/removal of fine-stranded conductors via push-buttons
- Just 5.6 mm tall
- Available in tape-and-reel packaging for automated assembly
- Also suitable for wave soldering
- Assemble terminal blocks without pole loss



Electrical Data

Pin spacing	6 mm / 0.24 inch		
Ratings per	IEC/EN 60664-1		
Overvoltage category	III	III	II
Pollution degree	3	2	2
Rated voltage	250 V	320 V	630 V
Rated impulse voltage	4 kV	4 kV	4 kV
Rated current	17.5 A	17.5 A	17.5 A
Approbations per	UL 1059		
Use group	B	C	D
Rated voltage	600 V	-	600 V
Rated current	10 A	-	5 A

Connection Data

Connection technology	Push-in CAGE CLAMP®
Strip length	7 ... 10 mm / 0.28 ... 0.39 inch
Conductor connection direction to PCB	0°
Solid conductor	0.5 ... 1.5 mm ² / 20 ... 16 AWG
Fine-stranded conductor	0.5 ... 1.5 mm ² / 20 ... 16 AWG
Fine-stranded conductor; with insulated ferrule	0.5 ... 0.75 mm ²
Fine-stranded conductor; with uninsulated ferrule	0.5 ... 0.75 mm ²

Material Data

Material group	I
Insulation material	Polyphthalamide (PPA GF)
Flammability class per UL94	V0
Clamping spring material	Chrome nickel spring steel (CrNi)
Contact material	Copper alloy
Contact plating	Tin-plated

Mechanical Data

Solder pin arrangement	Within the terminal block (in-line)
Solder pin length	1.5 mm
Solder pin dimensions	1.2 x 0.35 mm
Plated through-hole diameter (THR)	1.5 ^(+0.1) mm
Reel diameter of tape-and-reel packaging	330 mm

Environmental Requirements

Limit temperature range	-60 ... +105 °C
-------------------------	-----------------

Application notes:

Suitable for lead-free, reflow-soldering profiles per DIN EN 61760-1 and IEC 60068-2-58 up to max. 260°C peak temperature. Due to application-specific variables (component configuration and orientation, type of soldering machine, solder paste), trial runs are recommended to ensure product and process compatibility under actual manufacturing conditions.

Depending on reflow soldering temperatures and times, color deviations may occur. These deviations will have no impact on functionality.

Recommendation for stencil:

150 µm material thickness

Stencil hole diameter identical to metal-plated PCB hole outer diameter

THR soldering Page 268

Ferrule Page 879

Tool Page 299

See technical section for further information

For approvals and corresponding ratings, visit www.wago.com

THR PCB terminal block ▶ 2061 Series

Push-in CAGE CLAMP® ▶ Actuation type: Push-button ▶ 1.5 mm² ▶ Pin spacing: 6 mm / 0.24 inch ▶ Solder pin length: 1.5 mm

Color: white

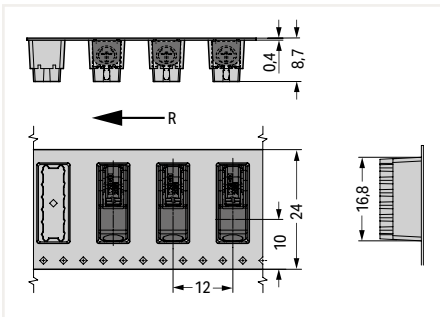
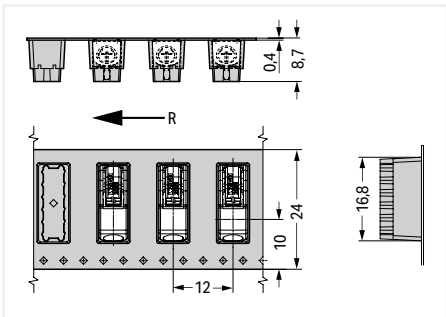
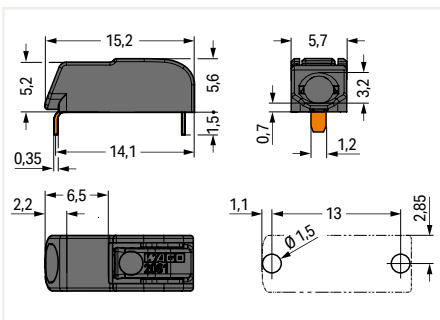
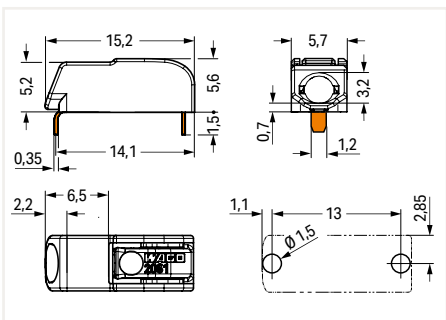
Color: black



2

Pole No.	Item No.	PU (SPU)
1	2061-1641/998-404	5760 (640)

Pole No.	Item No.	PU (SPU)
1	2061-1661/998-404	5760 (640)



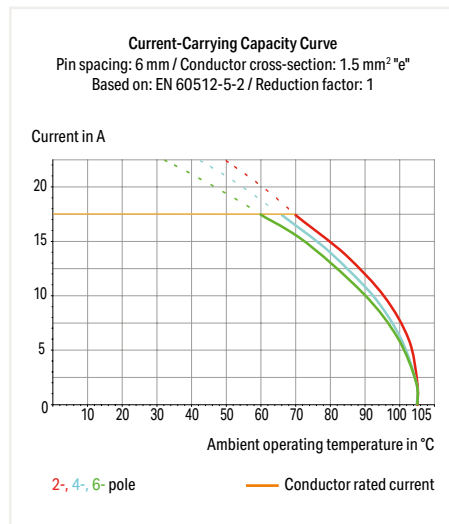
R = feed direction

R = feed direction

PU = Packaging Unit; SPU = Subpackaging Unit; Dimensions in mm

THR PCB terminal block ▶ 2061 Series**Push-in CAGE CLAMP® ▶ Actuation type: Push-button ▶ 1.5 mm² ▶ Pin spacing: 6 mm / 0.24 inch ▶****Solder pin length: 1.5 mm**

- THR PCB terminal blocks with Push-in CAGE CLAMP® connection technology and push-buttons
- Push-in termination of solid and ferruled conductors
- Convenient termination/removal of fine-stranded conductors via push-buttons
- Just 5.6 mm tall
- Available in tape-and-reel packaging for automated assembly
- Also suitable for wave soldering
- Assemble terminal blocks without pole loss

**Electrical Data**

Pin spacing	6 mm / 0.24 inch		
Ratings per	IEC/EN 60664-1		
Overvoltage category	III	III	II
Pollution degree	3	2	2
Rated voltage	250 V	320 V	630 V
Rated impulse voltage	4 kV	4 kV	4 kV
Rated current	17.5 A	17.5 A	17.5 A
Approbations per	UL 1059		
Use group	B	C	D
Rated voltage	300 V	-	300 V
Rated current	10 A	-	10 A

Connection Data

Connection technology	Push-in CAGE CLAMP®
Strip length	7 ... 10 mm / 0.28 ... 0.39 inch
Conductor connection direction to PCB	0°
Solid conductor	0.5 ... 1.5 mm ² / 20 ... 16 AWG
Fine-stranded conductor	0.5 ... 1.5 mm ² / 20 ... 16 AWG
Fine-stranded conductor; with insulated ferrule	0.5 ... 0.75 mm ²
Fine-stranded conductor; with uninsulated ferrule	0.5 ... 0.75 mm ²

Material Data

Material group	I
Insulation material	Polyphthalamide (PPA GF)
Flammability class per UL94	V0
Clamping spring material	Chrome nickel spring steel (CrNi)
Contact material	Copper alloy
Contact plating	Tin-plated

Mechanical Data

Solder pin arrangement	Over the entire terminal strip (in-line)
Solder pin length	1.5 mm
Solder pin dimensions	1.2 x 0.35 mm
Plated through-hole diameter (THR)	1.5 ^(+0.1) mm
Reel diameter of tape-and-reel packaging	330 mm

Environmental Requirements

Limit temperature range	-60 ... +105 °C
-------------------------	-----------------

Application notes:

Suitable for lead-free, reflow-soldering profiles per DIN EN 61760-1 and IEC 60068-2-58 up to max. 260°C peak temperature. Due to application-specific variables (component configuration and orientation, type of soldering machine, solder paste), trial runs are recommended to ensure product and process compatibility under actual manufacturing conditions.

Depending on reflow soldering temperatures and times, color deviations may occur. These deviations will have no impact on functionality.

Recommendation for stencil:

150 µm material thickness

Stencil hole diameter identical to metal-plated PCB hole outer diameter

THR soldering Page 268

Ferrule Page 879

Tool Page 299

See technical section for further information

For approvals and corresponding ratings, visit www.wago.com

THR PCB terminal block ▶ 2061 Series

Push-in CAGE CLAMP® ▶ Actuation type: Push-button ▶ 1.5 mm² ▶ Pin spacing: 6 mm / 0.24 inch ▶ Solder pin length: 1.5 mm

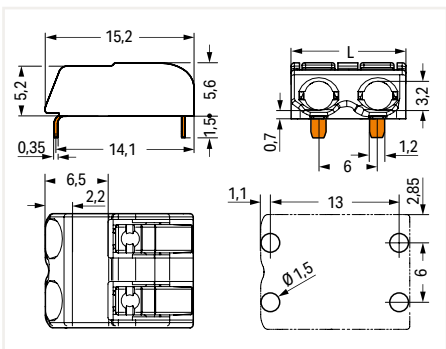
Color: white

Color: black

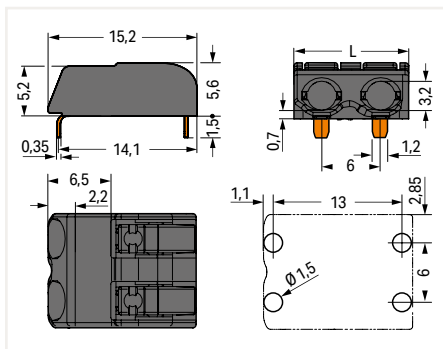


Pole No.	Item No.	PU (SPU)
2	2061-1642/998-404	4320 (480)
3	2061-1643/998-404	2880 (320)

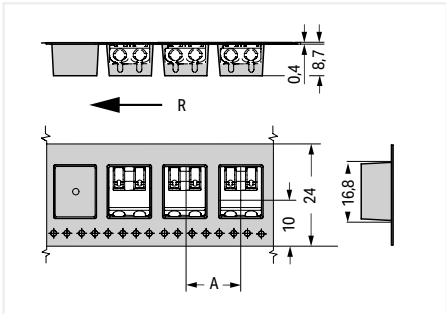
Pole No.	Item No.	PU (SPU)
2	2061-1662/998-404	4320 (480)
3	2061-1663/998-404	2880 (320)



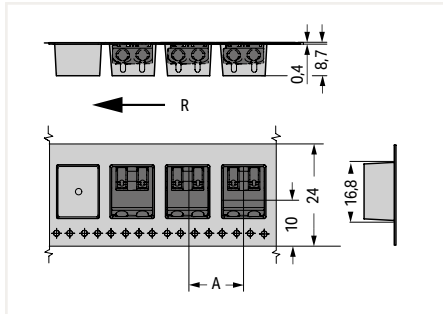
L = (pole no. x pin spacing) – 0.3 mm



L = (pole no. x pin spacing) – 0.3 mm



R = feed direction
A = 16 mm (2-pole)
A = 22 mm (3-pole)

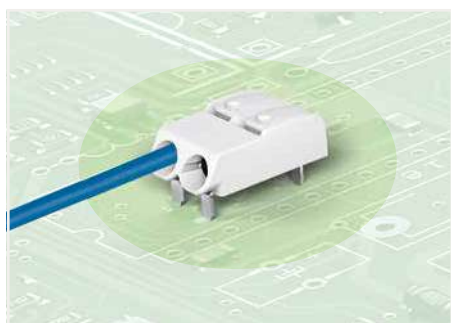


R = feed direction
A = 16 mm (2-pole)
A = 22 mm (3-pole)

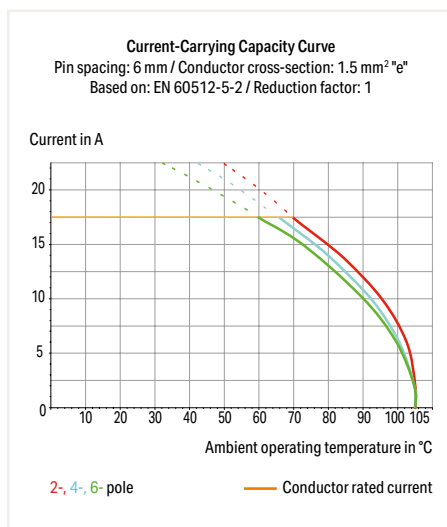
PU = Packaging Unit; SPU = Subpackaging Unit; Dimensions in mm

THR PCB terminal block ▶ 2061 Series

Push-in CAGE CLAMP® ▶ Actuation type: Push-button ▶ 1.5 mm² ▶ Pin spacing: 6 mm / 0.24 inch ▶ Solder pin length: 2.4 mm



- THR PCB terminal blocks with Push-in CAGE CLAMP® connection technology and push-buttons
- Push-in termination of solid and ferruled conductors
- Convenient termination/removal of fine-stranded conductors via push-buttons
- Just 5.6 mm tall
- Available in tape-and-reel packaging for automated assembly
- Also suitable for wave soldering
- Assemble terminal blocks without pole loss



Electrical Data

Pin spacing	6 mm / 0.24 inch		
Ratings per	IEC/EN 60664-1		
Overvoltage category	III	III	II
Pollution degree	3	2	2
Rated voltage	250 V	320 V	630 V
Rated impulse voltage	4 kV	4 kV	4 kV
Rated current	17.5 A	17.5 A	17.5 A
Approbations per	UL 1059		
Use group	B	C	D
Rated voltage	600 V	-	600 V
Rated current	10 A	-	5 A

Connection Data

Connection technology	Push-in CAGE CLAMP®
Strip length	7 ... 10 mm / 0.28 ... 0.39 inch
Conductor connection direction to PCB	0°
Solid conductor	0.5 ... 1.5 mm ² / 20 ... 16 AWG
Fine-stranded conductor	0.5 ... 1.5 mm ² / 20 ... 16 AWG
Fine-stranded conductor; with insulated ferrule	0.5 ... 0.75 mm ²
Fine-stranded conductor; with uninsulated ferrule	0.5 ... 0.75 mm ²

Material Data

Material group	I
Insulation material	Polyphthalamide (PPA GF)
Flammability class per UL94	V0
Clamping spring material	Chrome nickel spring steel (CrNi)
Contact material	Copper alloy
Contact plating	Tin-plated

Mechanical Data

Solder pin arrangement	Within the terminal block (in-line)
Solder pin length	2.4 mm
Solder pin dimensions	1.2 x 0.35 mm
Plated through-hole diameter (THR)	1.5 ^(+0.1) mm
Reel diameter of tape-and-reel packaging	330 mm

Environmental Requirements

Limit temperature range	-60 ... +105 °C
-------------------------	-----------------

Application notes:

Suitable for lead-free, reflow-soldering profiles per DIN EN 61760-1 and IEC 60068-2-58 up to max. 260°C peak temperature. Due to application-specific variables (component configuration and orientation, type of soldering machine, solder paste), trial runs are recommended to ensure product and process compatibility under actual manufacturing conditions.

Depending on reflow soldering temperatures and times, color deviations may occur. These deviations will have no impact on functionality.

Recommendation for stencil:

150 µm material thickness

Stencil hole diameter identical to metal-plated PCB hole outer diameter

THR soldering Page 268

Ferrule Page 879

Tool Page 299

See technical section for further information

For approvals and corresponding ratings, visit www.wago.com

THR PCB terminal block ▶ 2061 Series

Push-in CAGE CLAMP® ▶ Actuation type: Push-button ▶ 1.5 mm² ▶ Pin spacing: 6 mm / 0.24 inch ▶ Solder pin length: 2.4 mm

Color: white

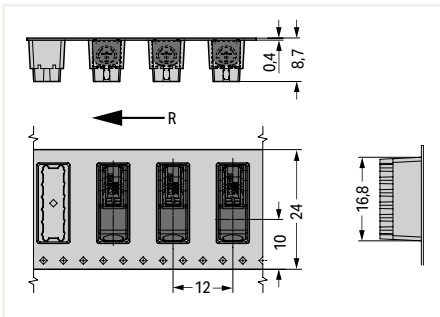
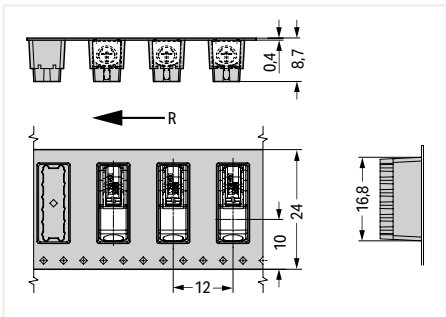
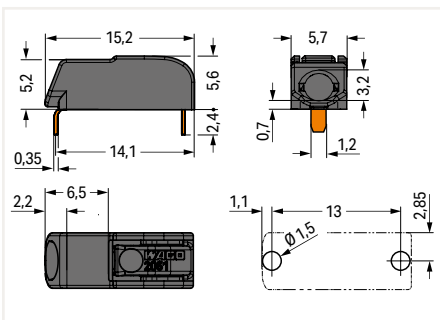
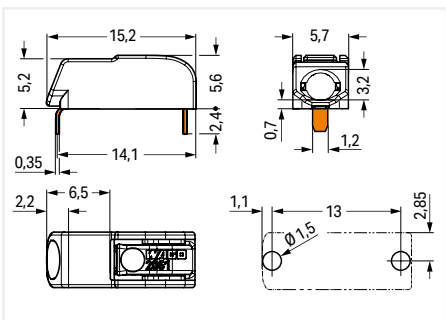
Color: black



2

Pole No.	Item No.	PU (SPU)
1	2061-1601/998-404	5760 (640)

Pole No.	Item No.	PU (SPU)
1	2061-1621/998-404	5760 (640)



R = feed direction

R = feed direction

PU = Packaging Unit; SPU = Subpackaging Unit; Dimensions in mm

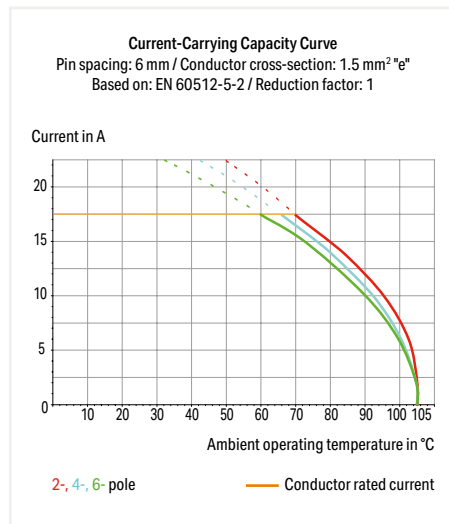
THR PCB terminal block ▶ 2061 Series

Push-in CAGE CLAMP® ▶ Actuation type: Push-button ▶ 1.5 mm² ▶ Pin spacing: 6 mm / 0.24 inch ▶

Solder pin length: 2.4 mm



- THR PCB terminal blocks with Push-in CAGE CLAMP® connection technology and push-buttons
- Push-in termination of solid and ferruled conductors
- Convenient termination/removal of fine-stranded conductors via push-buttons
- Just 5.6 mm tall
- Available in tape-and-reel packaging for automated assembly
- Also suitable for wave soldering
- Assemble terminal blocks without pole loss



Electrical Data

Pin spacing	6 mm / 0.24 inch		
Ratings per	IEC/EN 60664-1		
Overvoltage category	III	III	II
Pollution degree	3	2	2
Rated voltage	250 V	320 V	630 V
Rated impulse voltage	4 kV	4 kV	4 kV
Rated current	17.5 A	17.5 A	17.5 A
Approbations per	UL 1059		
Use group	B	C	D
Rated voltage	300 V	-	300 V
Rated current	10 A	-	10 A

Connection Data

Connection technology	Push-in CAGE CLAMP®
Strip length	7 ... 10 mm / 0.28 ... 0.39 inch
Conductor connection direction to PCB	0°
Solid conductor	0.5 ... 1.5 mm ² / 20 ... 16 AWG
Fine-stranded conductor	0.5 ... 1.5 mm ² / 20 ... 16 AWG
Fine-stranded conductor; with insulated ferrule	0.5 ... 0.75 mm ²
Fine-stranded conductor; with uninsulated ferrule	0.5 ... 0.75 mm ²

Material Data

Material group	I
Insulation material	Polyphthalamide (PPA GF)
Flammability class per UL94	V0
Clamping spring material	Chrome nickel spring steel (CrNi)
Contact material	Copper alloy
Contact plating	Tin-plated

Mechanical Data

Solder pin arrangement	Over the entire terminal strip (in-line)
Solder pin length	2.4 mm
Solder pin dimensions	1.2 x 0.35 mm
Plated through-hole diameter (THR)	1.5 ^(+0.1) mm
Reel diameter of tape-and-reel packaging	330 mm

Environmental Requirements

Limit temperature range	-60 ... +105 °C
-------------------------	-----------------

Application notes:

Suitable for lead-free, reflow-soldering profiles per DIN EN 61760-1 and IEC 60068-2-58 up to max. 260°C peak temperature. Due to application-specific variables (component configuration and orientation, type of soldering machine, solder paste), trial runs are recommended to ensure product and process compatibility under actual manufacturing conditions.

Depending on reflow soldering temperatures and times, color deviations may occur. These deviations will have no impact on functionality.

Recommendation for stencil:

150 µm material thickness

Stencil hole diameter identical to metal-plated PCB hole outer diameter

THR soldering Page 268

Ferrule Page 879

Tool Page 299

See technical section for further information

For approvals and corresponding ratings, visit www.wago.com

THR PCB terminal block ▶ 2061 Series

Push-in CAGE CLAMP® ▶ Actuation type: Push-button ▶ 1.5 mm² ▶ Pin spacing: 6 mm / 0.24 inch ▶ Solder pin length: 2.4 mm

Color: white

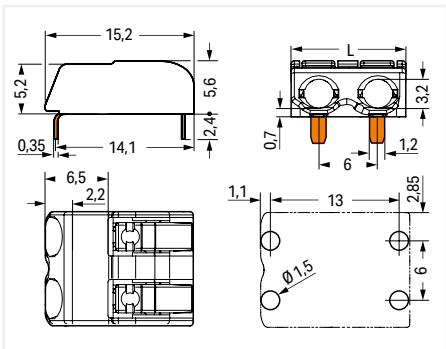
Color: black



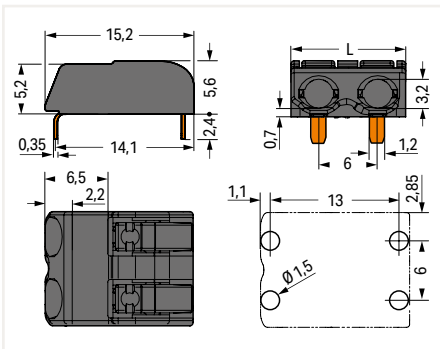
2

Pole No.	Item No.	PU (SPU)
2	2061-1602/998-404	4320 (480)
3	2061-1603/998-404	2880 (320)

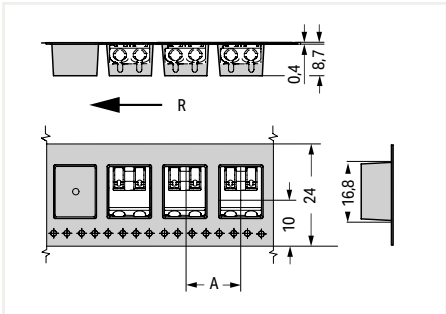
Pole No.	Item No.	PU (SPU)
2	2061-1622/998-404	4320 (480)
3	2061-1623/998-404	2880 (320)



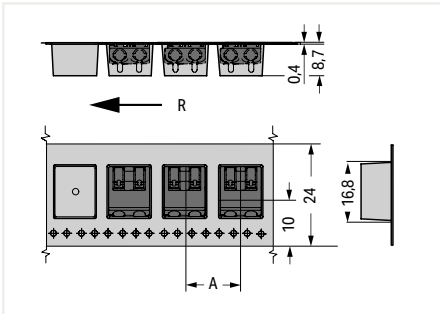
L = (pole no. x pin spacing) – 0.3 mm



L = (pole no. x pin spacing) – 0.3 mm



R = feed direction
A = 16 mm (2-pole)
A = 22 mm (3-pole)

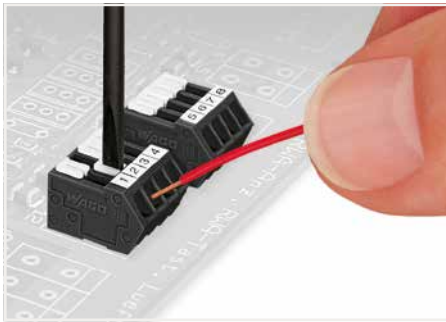


R = feed direction
A = 16 mm (2-pole)
A = 22 mm (3-pole)

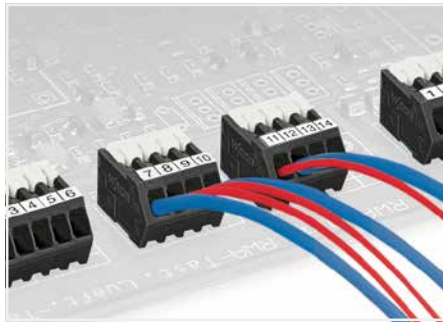
PU = Packaging Unit; SPU = Subpackaging Unit; Dimensions in mm

218 Series Description and Installation

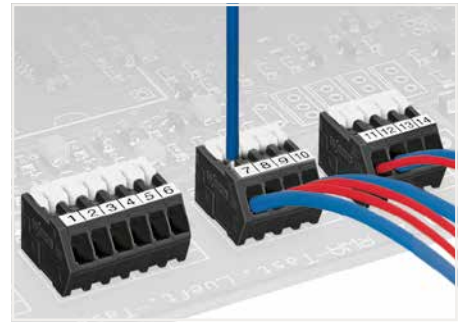
2



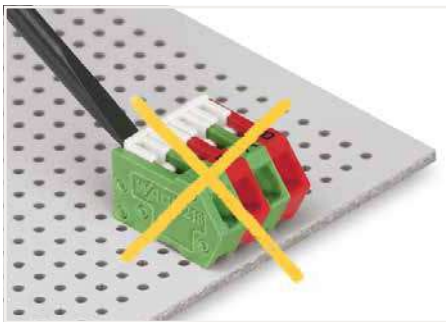
Terminating stranded conductors in confined spaces requires a great deal of patience, unless you use the new 218 Series PCB Terminal Strips. The clamping units of these strips can be held open during termination process via integrated locking slide.



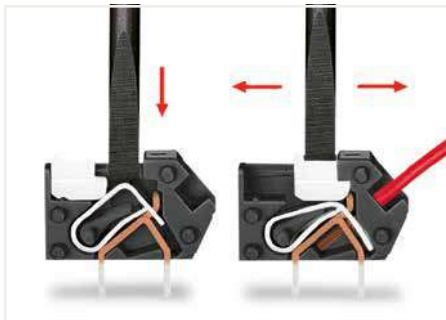
Terminating 0.75 mm² (18 AWG) conductors is possible; however, insulation diameter allows only every other clamping unit to be terminated with this conductor size.



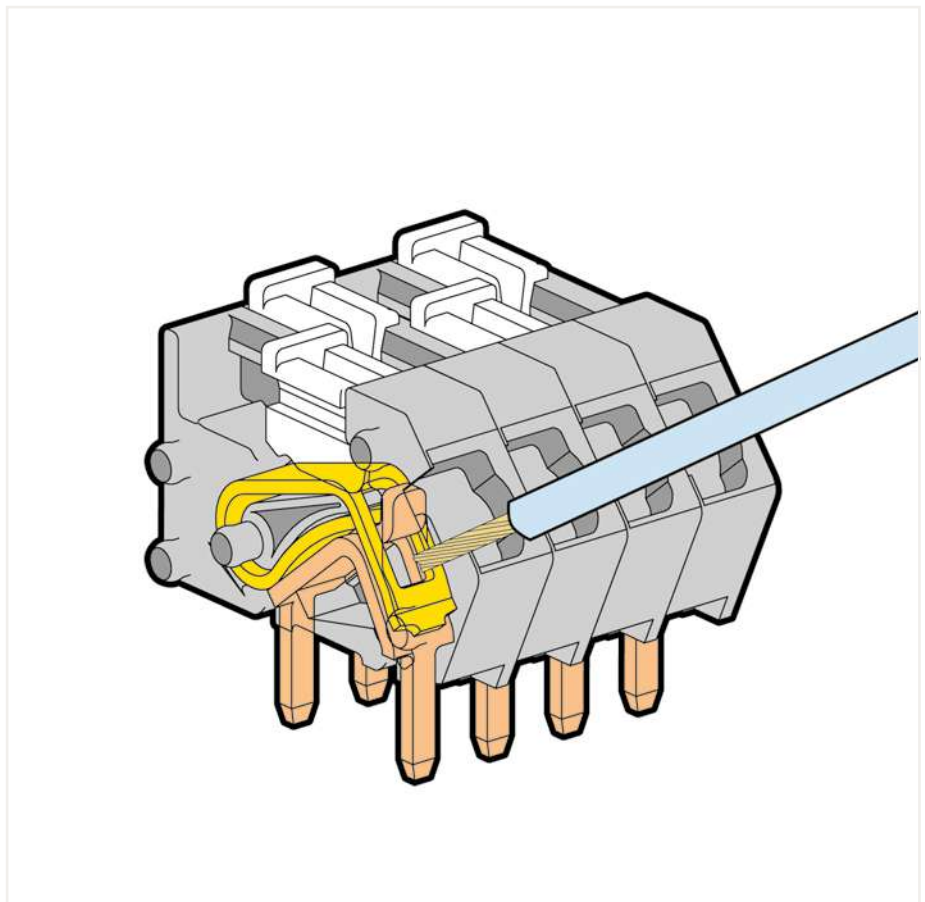
Testing directly on the clamping spring.



Incorrect – do not operate the locking slides from the back.



Conductor termination: To momentarily open the clamping unit, use screwdriver and then insert a stripped conductor. To open clamping unit for an extended period, move locking slide toward conductor entry hole. Then fully insert stripped conductor and move locking slide back to original position (also possible to perform with fingernail).



218 Series

236 and 250 Series Description and Installation



Inserting a conductor via 3.5 mm screwdriver.
Screwdriver actuation parallel to conductor entry.



Inserting a conductor via 3.5 mm screwdriver.
Screwdriver actuation perpendicular to conductor entry.



Inserting a conductor via operating tool.



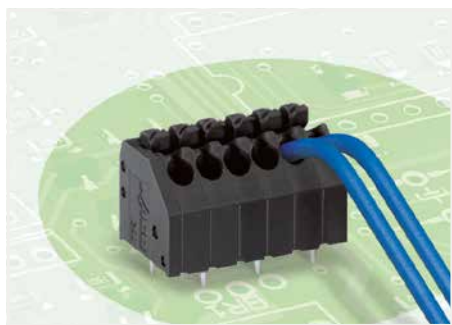
Inserting solid conductors via push-in termination.
Inserting fine-stranded conductors via push-buttons,
250 Series – 3.5 mm pin spacing.



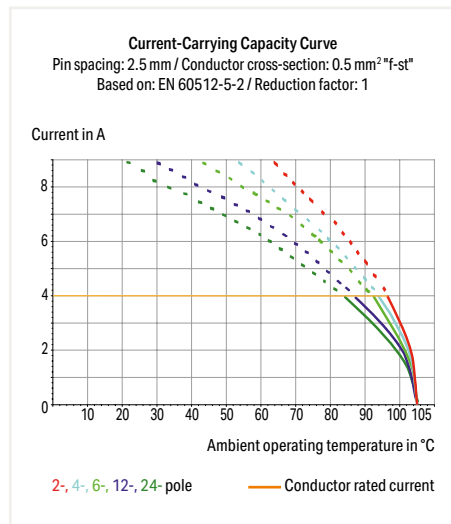
Testing with 11 mm Ø test pin, on the conductor,
250 Series – 2.5 ... 3.5 mm pin spacing.

THR PCB terminal block ▶ 250 Series

Push-in CAGE CLAMP® ▶ Actuation type: Push-button ▶ Terminal strip ▶ 0.5 mm² ▶ Pin spacing: 2.5 mm / 0.098 inch ▶ Color: black



- Cost-effective integration of high-temperature resistant THR terminal strips into SMT reflow soldering processes
- Push-in termination of solid and ferruled conductors
- Termination/removal of fine-stranded conductors via push-buttons
- 45° conductor entry angle provides easy, space-saving wiring



Electrical Data

Pin spacing	2.5 mm / 0.098 inch		
Ratings per	IEC/EN 60664-1		
Overvoltage category	III	III	II
Pollution degree	3	2	2
Rated voltage	160 V	160 V	250 V
Rated impulse voltage	2.5 kV	2.5 kV	2.5 kV
Rated current	4 A	4 A	4 A
Approbations per	UL 1059		
Use group	B	C	D
Rated voltage	300 V	-	300 V
Rated current	5 A	-	5 A
Approbations per	CSA		
Use group	B	C	D
Rated voltage	300 V	-	300 V
Rated current	5 A	-	5 A

Connection Data

Connection technology	Push-in CAGE CLAMP®
Strip length	8.5 ... 9.5 mm / 0.33 ... 0.37 inch
Conductor connection direction to PCB	45°
Solid conductor	0.14 ... 0.5 mm ² / 24 ... 20 AWG
Fine-stranded conductor	0.2 ... 0.5 mm ² / 24 ... 20 AWG
Conductor diameter	0.4 ... 0.8 mm

Material Data

Material group	IIIa
Insulation material	Polyamide (PA46)
Flammability class per UL94	V2
Clamping spring material	Copper alloy
Contact material	Electrolytic copper (E _{cu})
Contact plating	Tin-plated

Mechanical Data

Solder pin arrangement	Over the entire terminal strip (staggered)
Solder pin length	2.4 mm
Solder pin dimensions	0.4 x 0.75 mm
Plated through-hole diameter (THR)	1 ^(+0.1) mm

Environmental Requirements

Limit temperature range	-60 ... +105 °C
-------------------------	-----------------

THR soldering Page 268

Marking Page 864

Test and measurement Page 886

Tool Page 870

See technical section for further information

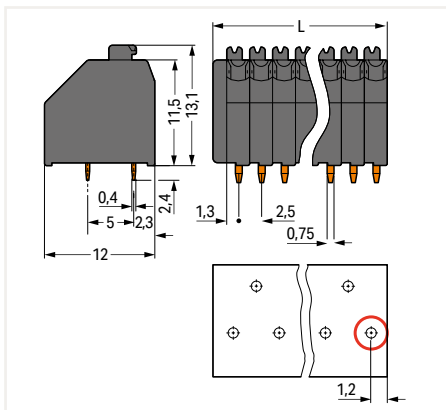
For approvals and corresponding ratings, visit www.wago.com

THR PCB terminal block ▶ 250 Series

Push-in CAGE CLAMP® ▶ Actuation type: Push-button ▶ Terminal strip ▶ 0.5 mm² ▶ Pin spacing: 2.5 mm / 0.098 inch ▶ Color: black



Pole No.	Item No.	PU (SPU)
2	250-402/353-604	720 (180)
3	250-403/353-604	520 (130)
4	250-404/353-604	400 (100)
5	250-405/353-604	340 (85)
6	250-406/353-604	280 (70)
7	250-407/353-604	240 (60)
8	250-408/353-604	220 (55)
10	250-410/353-604	180 (45)



$L = (\text{pole no.} \times \text{pin spacing}) + 1.5 \text{ mm}$
 First solder pin, front right (red circle)

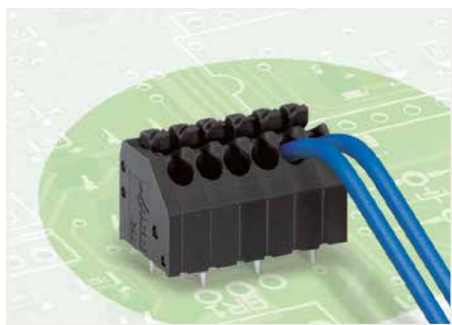
PU = Packaging Unit; SPU = Subpackaging Unit; Dimensions in mm

Other versions (or variants) can be requested from WAGO Sales or configured at <https://configurator.wago.com/>.

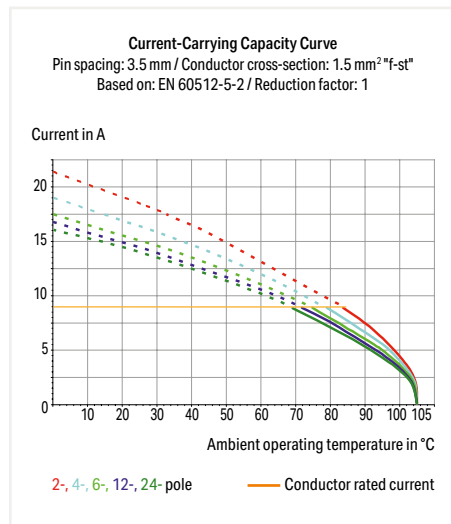
- Other pole numbers
- Direct marking

THR PCB terminal block ▶ 250 Series

Push-in CAGE CLAMP® ▶ Actuation type: Push-button ▶ Terminal strip ▶ 1.5 mm² ▶ Pin spacing: 3.5 mm / 0.138 inch ▶ Color: black



- Cost-effective integration of high-temperature resistant THR terminal strips into SMT reflow soldering processes
- Versions with suction pads are available in tape-and-reel packaging for automated assembly
- Push-in termination of solid and ferruled conductors
- Termination/removal of fine-stranded conductors via push-buttons
- 45° conductor entry angle provides easy, space-saving wiring



Electrical Data

Pin spacing	3.5 mm / 0.138 inch		
Ratings per	IEC/EN 60664-1		
Overvoltage category	III	III	II
Pollution degree	3	2	2
Rated voltage	200 V	320 V	320 V
Rated impulse voltage	4 kV	4 kV	4 kV
Rated current	8 A	8 A	8 A
Approbations per	UL 1059		
Use group	B	C	D
Rated voltage	300 V	-	300 V
Rated current	8 A	-	5 A
Approbations per	CSA		
Use group	B	C	D
Rated voltage	300 V	-	300 V
Rated current	10 A	-	10 A

Connection Data

Connection technology	Push-in CAGE CLAMP®
Strip length	8.5 ... 9.5 mm / 0.33 ... 0.37 inch
Conductor connection direction to PCB	45°
Solid conductor	0.2 ... 1.5 mm ² / 24 ... 16 AWG
Fine-stranded conductor	0.2 ... 1.5 mm ² / 24 ... 16 AWG
Fine-stranded conductor; with insulated ferrule	0.25 ... 1 mm ²
Fine-stranded conductor; with uninsulated ferrule	0.25 ... 1 mm ²

Material Data

Material group	IIIa
Insulation material	Polyamide (PA46)
Flammability class per UL94	V2
Clamping spring material	Copper alloy
Contact material	Electrolytic copper (E _{cu})
Contact plating	Tin-plated

Mechanical Data

Solder pin arrangement	Over the entire terminal strip (staggered)
Solder pin length	2.4 mm
Solder pin dimensions	0.4 x 0.75 mm
Plated through-hole diameter (THR)	1 ^(+0.1) mm

Environmental Requirements

Limit temperature range	-60 ... +105 °C
-------------------------	-----------------

THR soldering Page 268

Ferrule Page 879

Marking Page 864

Test and measurement Page 886

Tool Page 870

See technical section for further information

For approvals and corresponding ratings, visit www.wago.com

THR PCB terminal block ▶ 250 Series

Push-in CAGE CLAMP® ▶ Actuation type: Push-button ▶ Terminal strip ▶ 1.5 mm² ▶ Pin spacing: 3.5 mm / 0.138 inch ▶ Color: black

Suitable for automated assembly



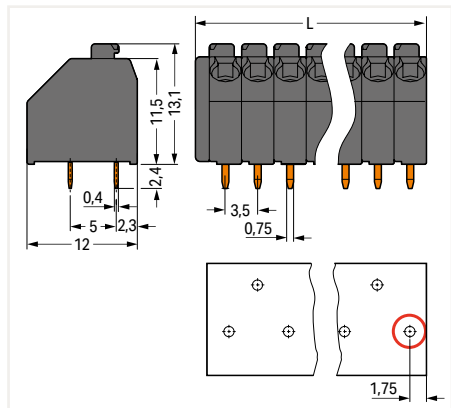
250-206/350-604



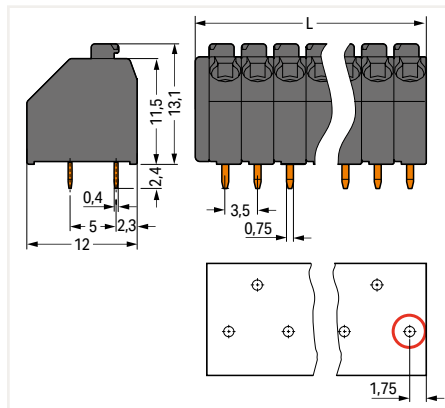
250-206/350-604

Pole No.	Item No.	PU (SPU)
2	250-202/353-604	560 (140)
3	250-203/353-604	400 (100)
4	250-204/353-604	300 (75)
5	250-205/353-604	240 (60)
6	250-206/353-604	200 (50)
7	250-207/353-604	180 (45)
8	250-208/353-604	160 (40)

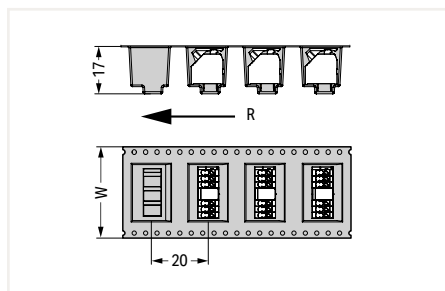
Pole No.	Tape width	Item No.	PU
2	24 mm	250-202/353-604/997-404	160
3	24 mm	250-203/353-604/997-404	160
4	32 mm	250-204/353-604/997-405	160
5	32 mm	250-205/353-604/997-405	160
6	44 mm	250-206/353-604/997-406	160
7	44 mm	250-207/353-604/997-406	160
8	44 mm	250-208/353-604/997-406	160



L = (pole no. x pin spacing) + 1.5 mm
First solder pin, front right (red circle)



L = (pole no. x pin spacing) + 1.5 mm
First solder pin, front right (red circle)



W = tape width
R = feed direction

PU = Packaging Unit; SPU = Subpackaging Unit; Dimensions in mm

Other versions (or variants) can be requested from WAGO Sales or configured at <https://configurator.wago.com/>.

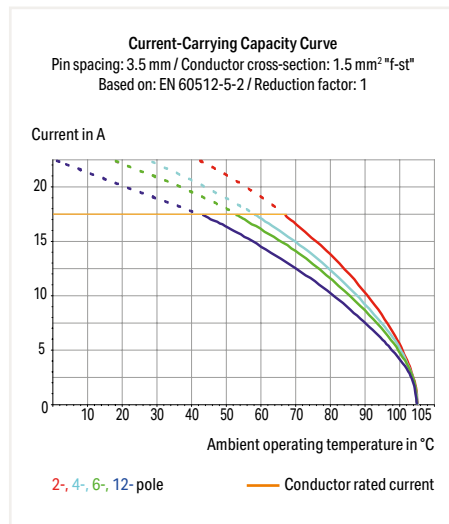
- Other pole numbers
- Direct marking

THR PCB terminal block ▶ 805 Series

Push-in CAGE CLAMP® ▶ Actuation type: Push-button ▶ Terminal strip ▶ Pin spacing: 3.5 mm / 0.138 inch ▶ 1.5 mm² ▶ Color: black



- THR PCB terminal strips with push-buttons and Push-in CAGE CLAMP® connection
- Push-in termination of solid and ferruled, fine-stranded conductors
- Flush-mount push-buttons that close with minimal force for convenient termination/removal of fine-stranded conductors
- Convenient, tool-free operation



Electrical Data

Pin spacing	3.5 mm / 0.138 inch		
Ratings per	IEC/EN 60664-1		
Overvoltage category	III	III	II
Pollution degree	3	2	2
Rated voltage	200 V	320 V	320 V
Rated impulse voltage	4 kV	4 kV	4 kV
Rated current	17.5 A	17.5 A	17.5 A
Approbations per	UL 1059		
Use group	B	C	D
Rated voltage	300 V	150 V	300 V
Rated current	10 A	10 A	10 A

Connection Data

Connection technology	Push-in CAGE CLAMP®
Strip length	9 ... 10 mm / 0.35 ... 0.39 inch
Conductor connection direction to PCB	0°
Solid conductor	0.2 ... 1.5 mm ² / 24 ... 16 AWG
Fine-stranded conductor	0.2 ... 1.5 mm ² / 24 ... 16 AWG
Fine-stranded conductor; with insulated ferrule	0.25 ... 1 mm ²
Fine-stranded conductor; with uninsulated ferrule	0.25 ... 1 mm ²

Material Data

Material group	IIIa
Insulation material	Polyamide (PA46)
Flammability class per UL94	V2
Clamping spring material	Chrome nickel spring steel (CrNi)
Contact material	Electrolytic copper (E _{cu})
Contact plating	Tin-plated

Mechanical Data

Solder pin arrangement	Over the entire terminal strip (staggered)
Solder pin length	2.2 mm
Solder pin dimensions	0.5 x 0.75 mm
Plated through-hole diameter (THR)	1.1 ^(+0.1) mm

Environmental Requirements

Limit temperature range	-60 ... +105 °C
-------------------------	-----------------

THR soldering Page 268

Ferrule Page 879

Marking Page 864

Tool Page 870

See technical section for further information

For approvals and corresponding ratings, visit www.wago.com

THR PCB terminal block ▶ 805 Series

Push-in CAGE CLAMP® ▶ Actuation type: Push-button ▶ Terminal strip ▶ Pin spacing: 3.5 mm / 0.138 inch ▶ 1.5 mm² ▶ Color: black

Suitable for automated assembly



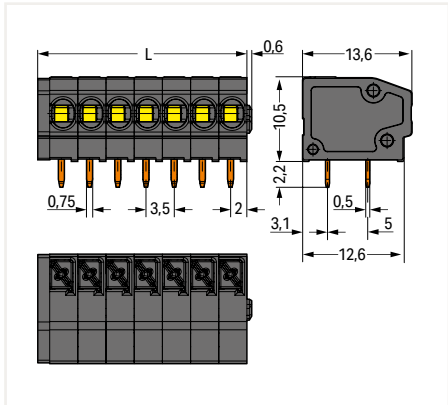
805-306/200-604



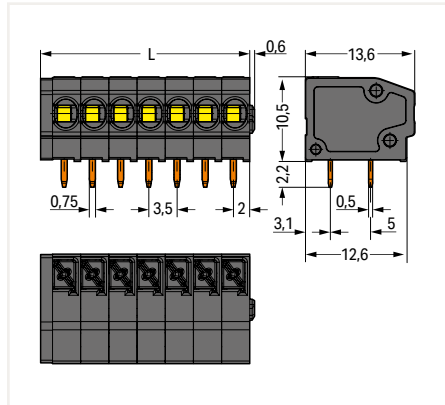
805-306/200-604

Pole No.	Item No.	PU (SPU)
2	805-302/200-604	580 (145)
3	805-303/200-604	420 (105)
4	805-304/200-604	320 (80)
5	805-305/200-604	260 (65)
6	805-306/200-604	220 (55)
7	805-307/200-604	180 (45)
8	805-308/200-604	160 (40)

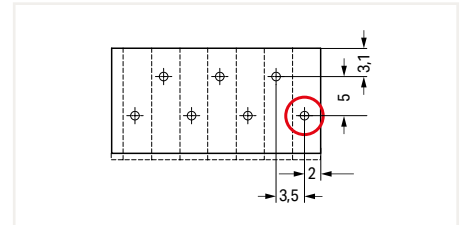
Pole No.	Tape width	Item No.	PU
2	24 mm	805-302/200-604/997-404	160
3	32 mm	805-303/200-604/997-405	160
4	32 mm	805-304/200-604/997-405	160
5	32 mm	805-305/200-604/997-405	160
6	44 mm	805-306/200-604/997-406	160
7	44 mm	805-307/200-604/997-406	160
8	44 mm	805-308/200-604/997-406	160



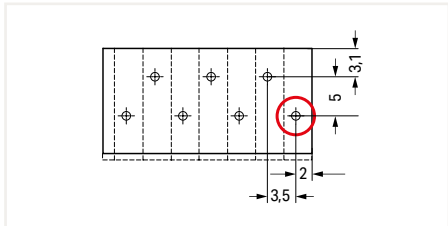
L = (pole no. x pin spacing) + 1.5 mm



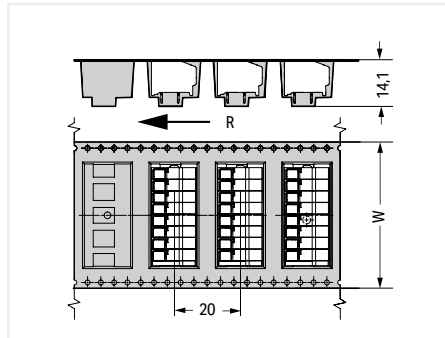
L = (pole no. x pin spacing) + 1.5 mm



First solder pin, front right (red circle)



First solder pin, front right (red circle)



R = feed direction
W = tape width

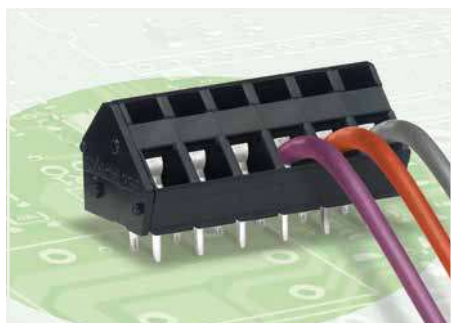
PU = Packaging Unit; SPU = Subpackaging Unit; Dimensions in mm

Other versions (or variants) can be requested from WAGO Sales or configured at <https://configurator.wago.com/>.

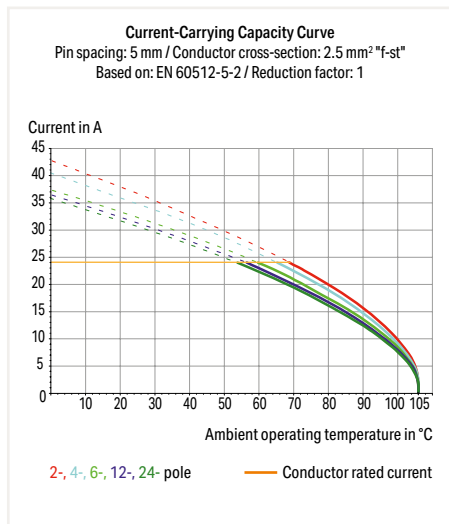
- Other pole numbers
- Other colors
- Mixed-color PCB connector strips
- Direct marking

THR PCB terminal block ▶ 236 Series

CAGE CLAMP® ▶ Actuation type: Operating tool ▶ 2.5 mm² ▶ Terminal strip ▶ Pin spacing: 5 mm / 0.197 inch ▶ Color: black



- PCB terminal strips made of high-temperature resistant plastic are suitable for SMT reflow soldering
- Double solder pins for high mechanical stability



Electrical Data

Pin spacing	5 mm / 0.197 inch		
Ratings per	IEC/EN 60664-1		
Overvoltage category	III	III	II
Pollution degree	3	2	2
Rated voltage	200 V	320 V	320 V
Rated impulse voltage	4 kV	4 kV	4 kV
Rated current	24 A	24 A	24 A
Approbations per	UL 1059		
Use group	B	C	D
Rated voltage	300 V	-	300 V
Rated current	15 A	-	10 A
Approbations per	CSA		
Use group	B	C	D
Rated voltage	300 V	-	300 V
Rated current	15 A	-	10 A

Connection Data

Connection technology	CAGE CLAMP®
Strip length	5 ... 6 mm / 0.2 ... 0.24 inch
Conductor connection direction to PCB	45 °
Solid conductor	0.08 ... 2.5 mm ² / 28 ... 12 AWG
Fine-stranded conductor	0.08 ... 2.5 mm ² / 28 ... 12 AWG
Fine-stranded conductor; with insulated ferrule	0.25 ... 1.5 mm ²
Fine-stranded conductor; with uninsulated ferrule	0.25 ... 1.5 mm ²
Note (conductor cross-section)	12 AWG: THHN, THWN

Material Data

Material group	IIIa
Insulation material	Polyamide (PA46)
Flammability class per UL94	V2
Clamping spring material	Chrome nickel spring steel (CrNi)
Contact material	Electrolytic copper (E _{cu})
Contact plating	Tin-plated

Mechanical Data

Solder pin arrangement	Over the entire terminal strip (in-line)
Solder pin length	3.6 mm
Solder pin dimensions	0.7 x 0.7 mm
Plated through-hole diameter (THR)	1.1 (+0.1) mm

Environmental Requirements

Limit temperature range	-60 ... +115 °C
-------------------------	-----------------

THR soldering	Page 268
Ferrule	Page 879
Marking	Page 865
Test and measurement	Page 298
Tool	Page 870

See technical section for further information

For approvals and corresponding ratings, visit www.wago.com

THR PCB terminal block ▶ 236 Series

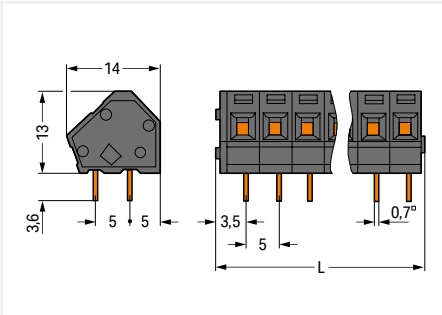
CAGE CLAMP® ▶ Actuation type: Operating tool ▶ 2.5 mm² ▶ Terminal strip ▶ Pin spacing: 5 mm / 0.197 inch ▶ Color: black

Suitable for automated assembly

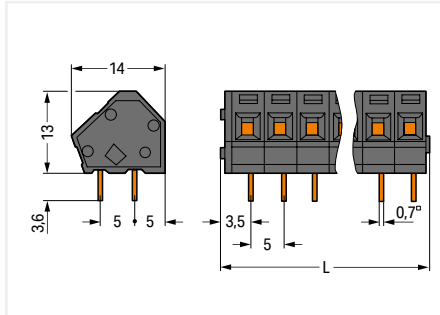


236-406/334-604

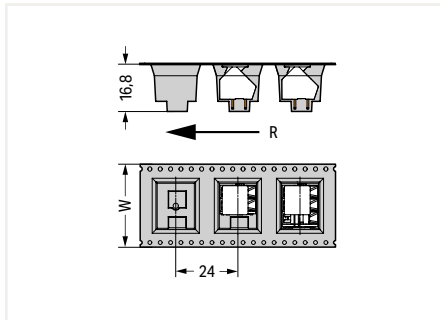
Pole No.	Item No.	PU (SPU)	Pole No.	Tape width	Item No.	PU
2	236-402/334-604	420 (105)	2	32 mm	236-402/334-604/997-405	140
3	236-403/334-604	280 (70)	3	32 mm	236-403/334-604/997-405	140
4	236-404/334-604	220 (55)	4	44 mm	236-404/334-604/997-406	140
5	236-405/334-604	180 (45)	5	44 mm	236-405/334-604/997-406	140
6	236-406/334-604	140 (35)	6	44 mm	236-406/334-604/997-406	140



L = (pole no. x pin spacing) + 2.3 mm



L = (pole no. x pin spacing) + 2.3 mm



W = tape width
R = feed direction

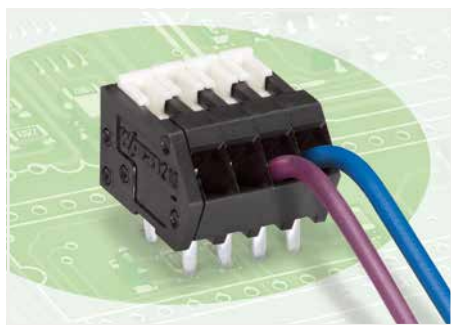
PU = Packaging Unit; SPU = Subpackaging Unit; Dimensions in mm

Other versions (or variants) can be requested from WAGO Sales or configured at <https://configurator.wago.com/>.

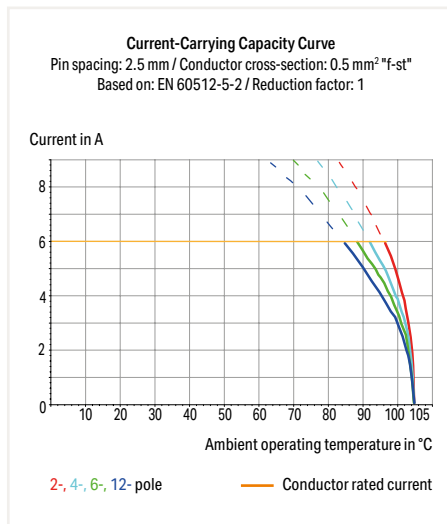
- Other pole numbers
- Direct marking

THR PCB terminal block ▶ 218 Series

CAGE CLAMP® ▶ Actuation type: Slider ▶ Actuation type: Slider ▶ 0.5 mm² ▶ Terminal strip ▶ Color: black



- Terminal strips are just 8.1 mm tall and feature an innovative, locking slide-actuated CAGE CLAMP®
- Several clamping units can be held open simultaneously
- Easily terminate stranded conductors in tight spaces (e.g., bus connectors)
- THR soldering provides integration into SMT assembly and soldering processes



Electrical Data

Pin spacing	2.54 mm / 0.1 inch; 2.5 mm / 0.098 inch		
Ratings per	IEC/EN 60664-1		
Overvoltage category	III	III	II
Pollution degree	3	2	2
Rated voltage	32 V	160 V	320 V
Rated impulse voltage	2.5 kV	2.5 kV	2.5 kV
Rated current	6 A	6 A	6 A

Connection Data

Connection technology	CAGE CLAMP®
Strip length	5 ... 6 mm / 0.2 ... 0.24 inch
Conductor connection direction to PCB	40°
Solid conductor	0.08 ... 0.5 mm ² / 28 ... 20 AWG
Fine-stranded conductor	0.08 ... 0.5 mm ² / 28 ... 20 AWG
Fine-stranded conductor; with insulated ferrule	0.25 mm ²
Fine-stranded conductor; with uninsulated ferrule	0.25 mm ²
Note (conductor cross-section)	Terminating 0.75 mm ² /18 AWG conductors is possible; however insulation diameter allows only every other clamping unit to be terminated with this conductor size.

Material Data

Material group	IIIa
Insulation material	Polyamide (PA46)
Flammability class per UL94	V2
Clamping spring material	Chrome nickel spring steel (CrNi)
Contact material	Electrolytic copper (E _{Cu})
Contact plating	Tin-plated

Mechanical Data

Solder pin arrangement	Over the entire terminal strip (in-line)
Solder pin length	2.8 mm
Solder pin dimensions	0.5 x 0.75 mm
Plated through-hole diameter (THR)	1.1 ^(+0.1) mm

Environmental Requirements

Limit temperature range	-60 ... +105 °C
-------------------------	-----------------

THR soldering Page 268

Ferrule Page 879

Marking Page 864

Test and measurement Page 886

Tool Page 870

See technical section for further information

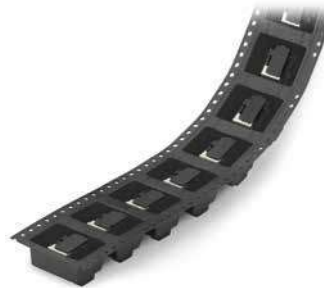
For approvals and corresponding ratings, visit www.wago.com

THR PCB terminal block ▶ 218 Series

CAGE CLAMP® ▶ Actuation type: Slider ▶ Actuation type: Slider ▶ 0.5 mm² ▶ Terminal strip ▶ Color: black

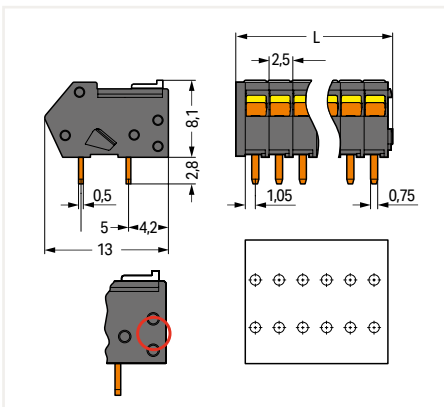
Pin spacing: 2.5 mm / 0.098 inch

Suitable for automated assembly

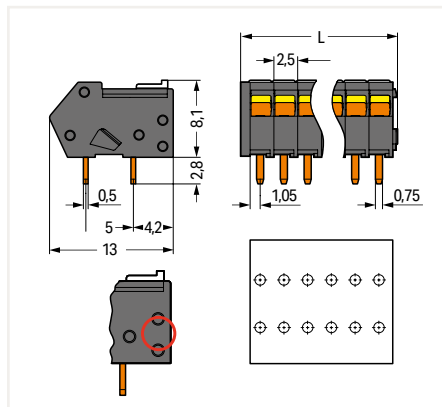


2

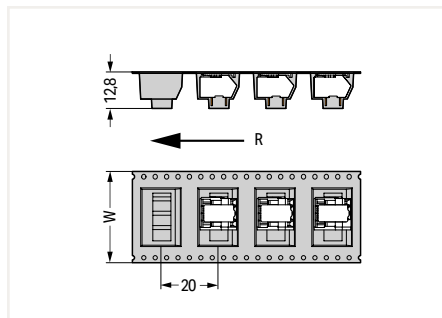
Pole No.	Item No.	PU (SPU)	Pole No.	Tape width	Item No.	PU
2	218-102/000-604	1000 (100)	2	16 mm	218-102/000-604/997-403	250
3	218-103/000-604	1000 (100)	3	32 mm	218-103/000-604/997-405	250
4	218-104/000-604	500 (100)	4	32 mm	218-104/000-604/997-405	250
5	218-105/000-604	500 (100)	5	32 mm	218-105/000-604/997-405	250
6	218-106/000-604	280 (70)	6	32 mm	218-106/000-604/997-405	250
7	218-107/000-604	240 (60)	7	32 mm	218-107/000-604/997-405	250



L = (pole no. x pin spacing) + 1.5 mm



L = (pole no. x pin spacing) + 1.5 mm



W = tape width
R = feed direction

PU = Packaging Unit; SPU = Subpackaging Unit; Dimensions in mm

Other versions (or variants) can be requested from WAGO Sales or configured at <https://configurator.wago.com/>.

- Other pole numbers
- Direct marking

THR PCB terminal block ▶ 218 Series

CAGE CLAMP® ▶ Actuation type: Slider ▶ Actuation type: Slider ▶ 0.5 mm² ▶ Terminal strip ▶ Color: black

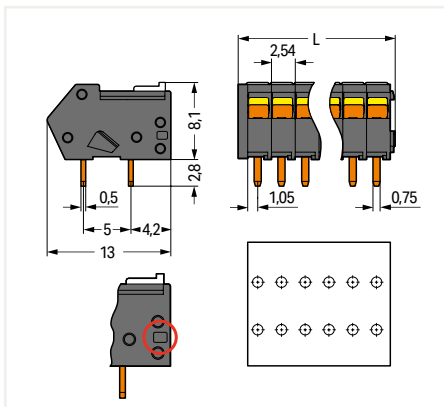
Pin spacing: 2.54 mm / 0.1 inch

Suitable for automated assembly

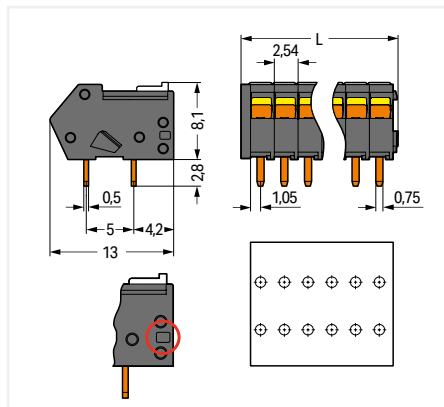
2



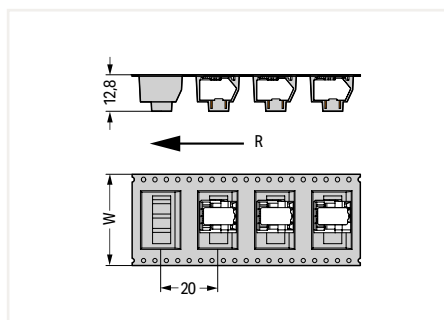
Pole No.	Item No.	PU (SPU)	Pole No.	Tape width	Item No.	PU
2	218-502/000-604	1000 (100)	2	16 mm	218-502/000-604/997-403	250
3	218-503/000-604	1000 (100)	3	32 mm	218-503/000-604/997-405	250
4	218-504/000-604	500 (100)	4	32 mm	218-504/000-604/997-405	250
5	218-505/000-604	500 (100)	5	32 mm	218-505/000-604/997-405	250
6	218-506/000-604	280 (70)	6	32 mm	218-506/000-604/997-405	250
7	218-507/000-604	240 (60)	7	32 mm	218-507/000-604/997-405	250



L = (pole no. x pin spacing) + 1.5 mm
A groove at the back of the terminal strip indicates the 2.54 mm pin spacing (red circle).



L = (pole no. x pin spacing) + 1.5 mm
A groove at the back of the terminal strip indicates the 2.54 mm pin spacing (red circle).



W = tape width
R = feed direction

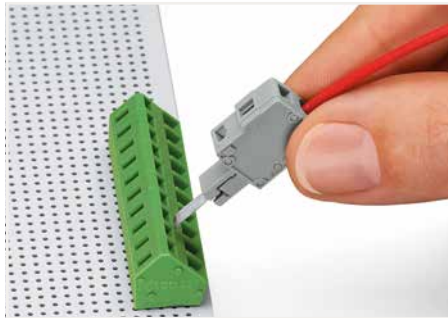
PU = Packaging Unit; SPU = Subpackaging Unit; Dimensions in mm

Other versions (or variants) can be requested from WAGO Sales or configured at <https://configurator.wago.com/>.

- Other pole numbers
- Direct marking

Test Plug Modules, A-Type Contact, for 236 Series PCB Terminal Blocks (Testing unwired terminal blocks)

2



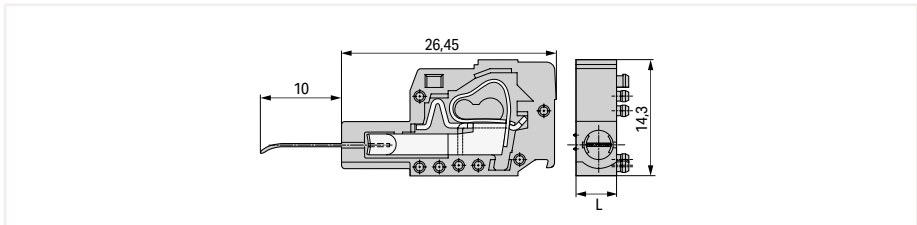
Inserting a test plug module into the operating slot.

Test plug module, with 10 mm contact lug, for 236 Series, snaps together, gray

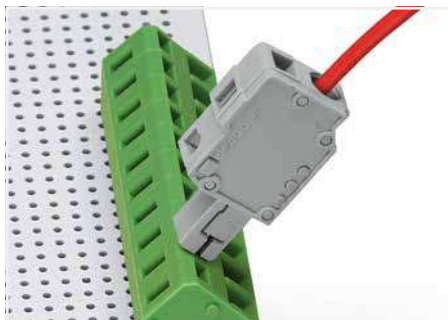
Pin spacing	Item No.	PU (SPU)
5 mm / 0.197 inch	231-127	100
7.5 mm / 0.295 inch	231-161	100

Test plug module, with 10 mm contact lug, for 236 Series, snaps together, orange

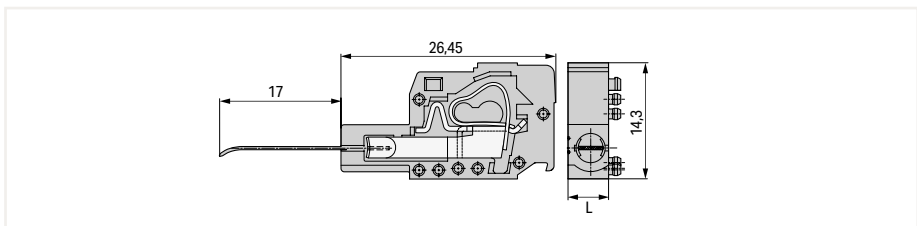
Pin spacing	Item No.	PU (SPU)
5.08 mm / 0.2 inch	231-128	100
7.62 mm / 0.3 inch	231-125	100



L = Pin spacing



Unwired terminal strip with inserted test plug module



L = Pin spacing



Contact type A: Testing only when unwired.

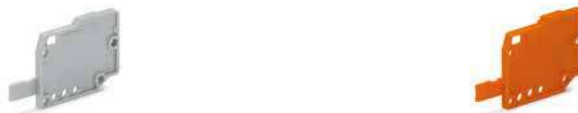
Electrical Data

Ratings per	IEC/EN 60664-1	
Overvoltage category	III	
Pollution degree	2	
Rated voltage (III/2)	250 V*	
Rated surge voltage (III / 2)	2,5 kV	
Rated current	0,5 A	

End plate

Connection technology	CAGE CLAMP*	
Strip length	12 ... 13 mm / 0.47 ... 0.51 inch	
Solid conductor	0,08 ... 2,5 mm ² / 28 ... 12 AWG	
Fine-stranded conductor	0,08 ... 2,5 mm ² / 28 ... 12 AWG	

Accessories; for all products on this page



End plate

Color	Item No.	PU (SPU)
● gray	231-100	200

End plate

Color	Item No.	PU (SPU)
● orange	231-300	200

* (III / 2) ≙ Overvoltage category III / Pollution degree 2

PU = Packaging Unit; SPU = Subpackaging Unit; Dimensions in mm

Operating Tools



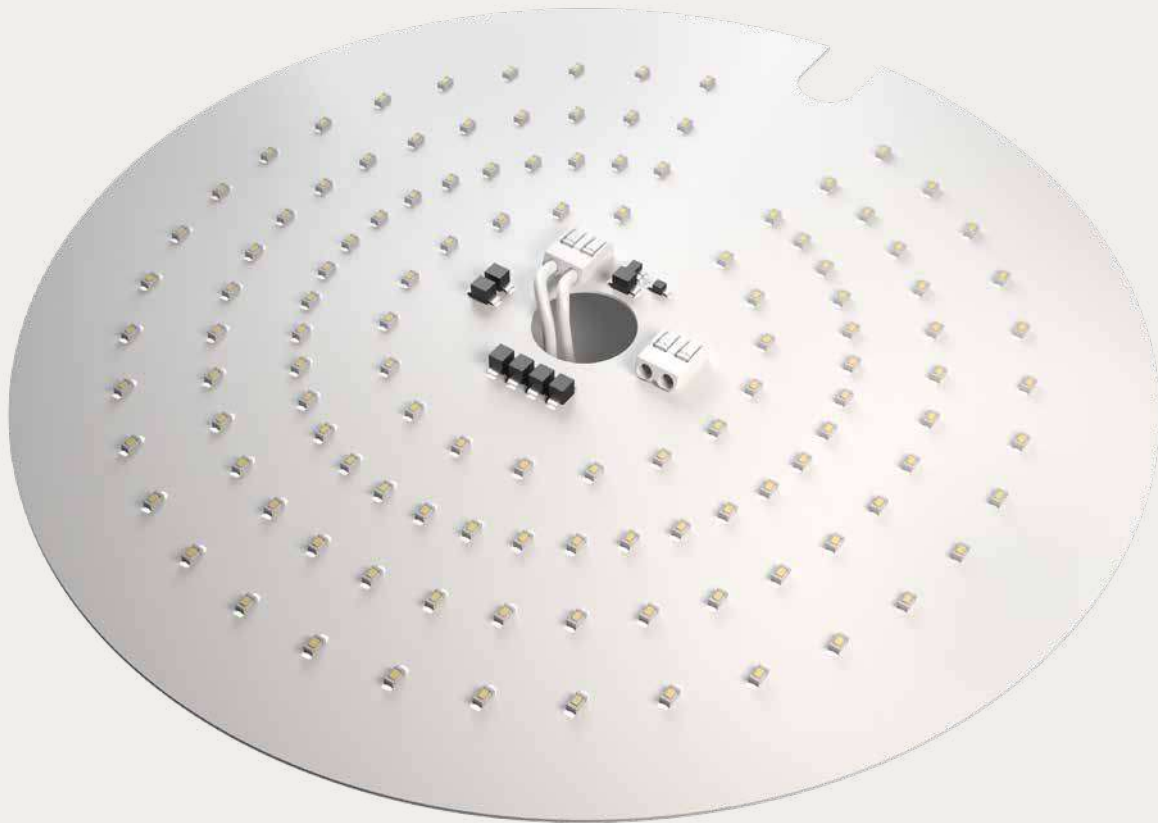
2

Operating tool for 2059, 2060 and 2061 Series		
Series	Item No.	PU (SPU)
2060	206-860	5
2061	206-861	5

Operating tool, insulated, for 2059, 2060 and 2061 Series		
Series	Item No.	PU (SPU)
2060	2060-189	300 (50)
2061	2061-189	300 (50)










Inserting/removing fine-stranded conductors by lightly pressing on a push-button.



WAGO SMD PCB Terminal Blocks

WAGO SMD PCB Terminal Blocks

	Nominal Cross-Section	Series	Page	
	SMD PCB Terminal Blocks ▶ Actuation type: Push-button ▶ PUSH WIRE®	0.34 mm ²	2059	302
	SMD PCB Terminal Blocks ▶ Actuation type: Push-button ▶ Push-in CAGE CLAMP®	0.75 mm ²	2060	306
	SMD PCB Terminal Blocks ▶ Actuation type: Push-button ▶ Push-in CAGE CLAMP®	1.5 mm ²	2061	312
	SMD PCB Terminal Blocks ▶ Actuation type: Push-in ▶ PUSH WIRE®	0.75 mm ²	2065	316
	SMD PCB Terminal Blocks ▶ Actuation type: Push-button ▶ Push-in CAGE CLAMP®	0.75 mm ²	2065	318
	Through-Board-SMD PCB Terminal Blocks ▶▶ Actuation type: Operating tool ▶ Push-in CAGE CLAMP®	0.75 mm ²	2070	320
	Board-to-Board Links for SMD PCB Terminal Blocks	0.5 mm ²	2059	326
		0.75 mm ²	2060	328
		1.5 mm ²	2061	330
		0,75 mm ²	2065	332
	Accessories for SMD PCB Terminal Blocks			334
	Accessories and Tools			861

SMD PCB terminal block ▶ 2059 Series**PUSH WIRE® ▶ Pin spacing: 3 mm / 0.118 inch ▶ Actuation type: Operating tool ▶ 0.34 mm²**

- SMD PCB terminal blocks with PUSH WIRE® connection technology
- Push-in termination of solid conductors
- Easy conductor removal via operating tool
- Height of just 2.7 mm
- Assemble terminal blocks without pole loss
- Available in tape-and-reel packaging for automated assembly

Electrical Data			
Pin spacing	3 mm / 0.118 inch		
Ratings per	IEC/EN 60664-1		
Overvoltage category	III	III	II
Pollution degree	3	2	2
Rated voltage	63 V	160 V	320 V
Rated impulse voltage	2.5 kV	2.5 kV	2.5 kV
Rated current	3 A	3 A	3 A
Approbations per	UL 1977		
Rated voltage	600 V		
Rated current	3 A		

Connection Data	
Connection technology	PUSH WIRE®
Strip length	4 ... 5.5 mm / 0.16 ... 0.22 inch
Conductor connection direction to PCB	0°
Solid conductor	0.14 ... 0.34 mm ² / 26 ... 22 AWG
Note (conductor cross-section)	For conductors (26 AWG) that are not rigid enough, the clamping unit must be opened using an operating tool.
Strip length 2	6 ... 7.5 mm / 0.24 ... 0.3 inch
Solid conductor 2	0.5 mm ² / 20 AWG
Note (conductor cross-section) 2	No reconnection of smaller conductor cross-sections (0.5 mm ² /20 AWG)

Material Data	
Material group	I
Insulation material	Polyphthalamide (PPA GF)
Flammability class per UL94	V0
Clamping spring material	Chrome nickel spring steel (CrNi)
Contact material	Copper alloy
Contact plating	Tin-plated

Mechanical Data	
Reel diameter of tape-and-reel packaging	330 mm

Environmental Requirements	
Limit temperature range	-60 ... +105 °C

Application notes:

Suitable for lead-free, reflow-soldering profiles per DIN EN 61760-1 and IEC 60068-2-58 up to max. 260°C peak temperature. Due to application-specific variables (component configuration and orientation, type of soldering machine, solder paste), trial runs are recommended to ensure product and process compatibility under actual manufacturing conditions.

Depending on reflow soldering temperatures and times, color deviations may occur. These deviations will have no impact on functionality.

Recommendation for stencil:

Material thickness: 150 µm; Pattern layout identical to solder pad layout

General accessories [Page 327](#)

Tool [Page 334](#)

See technical section for further information

For approvals and corresponding ratings, visit www.wago.com

SMD PCB terminal block ▶ 2059 Series

PUSH WIRE® ▶ Pin spacing: 3 mm / 0.118 inch ▶ Actuation type: Operating tool ▶ 0.34 mm²

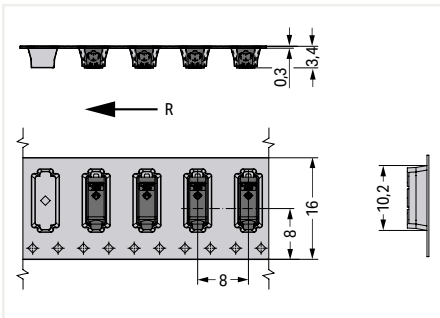
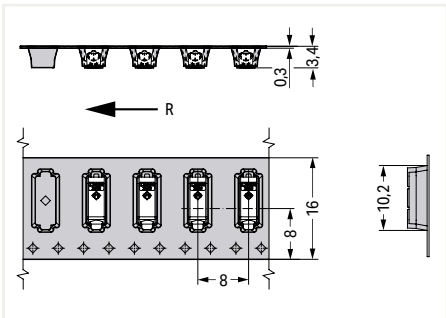
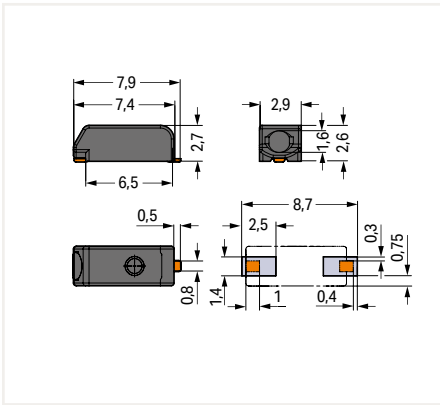
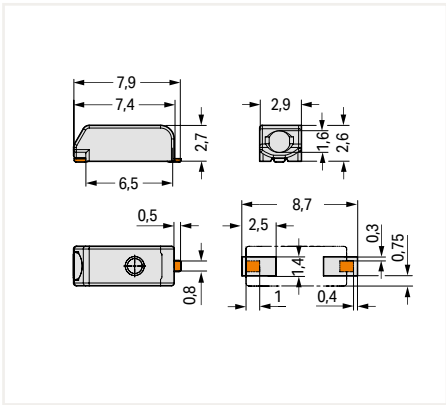
Color: white

Color: black



Pole No.	Item No.	PU (SPU)
1	2059-301/998-403	31800 (2650)

Pole No.	Item No.	PU (SPU)
1	2059-321/998-403	31800 (2650)



R = feed direction

R = feed direction

PU = Packaging Unit; SPU = Subpackaging Unit; Dimensions in mm

SMD PCB terminal block ▶ 2059 Series**PUSH WIRE® ▶ Pin spacing: 3 mm / 0.118 inch ▶ Actuation type: Operating tool ▶ 0.34 mm²**

- SMD PCB terminal blocks with PUSH WIRE® connection technology
- Push-in termination of solid conductors
- Easy conductor removal via operating tool
- Height of just 2.7 mm
- Assemble terminal blocks without pole loss
- Available in tape-and-reel packaging for automated assembly

3

Electrical Data			
Pin spacing	3 mm / 0.118 inch		
Ratings per	IEC/EN 60664-1		
Overvoltage category	III	III	II
Pollution degree	3	2	2
Rated voltage	63 V	160 V	320 V
Rated impulse voltage	2.5 kV	2.5 kV	2.5 kV
Rated current	3 A	3 A	3 A
Approbations per	UL 1977		
Rated voltage	250 V		
Rated current	3 A		

Connection Data	
Connection technology	PUSH WIRE®
Strip length	4 ... 5.5 mm / 0.16 ... 0.22 inch
Conductor connection direction to PCB	0°
Solid conductor	0.14 ... 0.34 mm ² / 26 ... 22 AWG
Note (conductor cross-section)	For conductors (26 AWG) that are not rigid enough, the clamping unit must be opened using an operating tool.
Strip length 2	6 ... 7.5 mm / 0.24 ... 0.3 inch
Solid conductor 2	0.5 mm ² / 20 AWG
Note (conductor cross-section) 2	No reconnection of smaller conductor cross-sections (0.5 mm ² /20 AWG)

Material Data	
Material group	I
Insulation material	Polyphthalamide (PPA GF)
Flammability class per UL94	V0
Clamping spring material	Chrome nickel spring steel (CrNi)
Contact material	Copper alloy
Contact plating	Tin-plated

Mechanical Data	
Reel diameter of tape-and-reel packaging	330 mm

Environmental Requirements	
Limit temperature range	-60 ... +105 °C

Application notes:

Suitable for lead-free, reflow-soldering profiles per DIN EN 61760-1 and IEC 60068-2-58 up to max. 260°C peak temperature. Due to application-specific variables (component configuration and orientation, type of soldering machine, solder paste), trial runs are recommended to ensure product and process compatibility under actual manufacturing conditions.

Depending on reflow soldering temperatures and times, color deviations may occur. These deviations will have no impact on functionality.

Recommendation for stencil:

Material thickness: 150 µm; Pattern layout identical to solder pad layout

General accessories [Page 327](#)

Tool [Page 334](#)

See technical section for further information

For approvals and corresponding ratings, visit www.wago.com

SMD PCB terminal block ▶ 2059 Series

PUSH WIRE® ▶ Pin spacing: 3 mm / 0.118 inch ▶ Actuation type: Operating tool ▶ 0.34 mm²

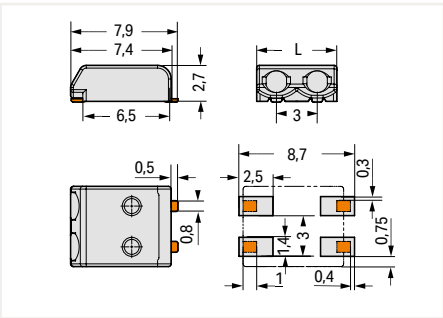
Color: white

Color: black

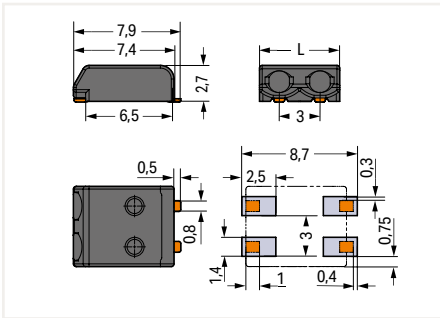


Pole No.	Item No.	PU (SPU)
2	2059-302/998-403	21000 (1750)
3	2059-303/998-403	21000 (1750)

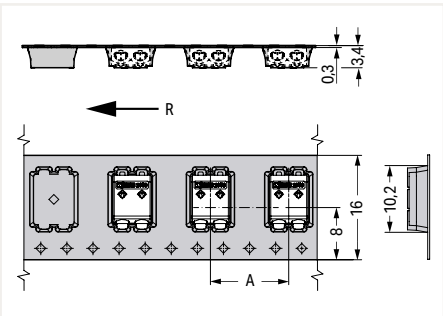
Pole No.	Item No.	PU (SPU)
2	2059-322/998-403	21000 (1750)
3	2059-323/998-403	21000 (1750)



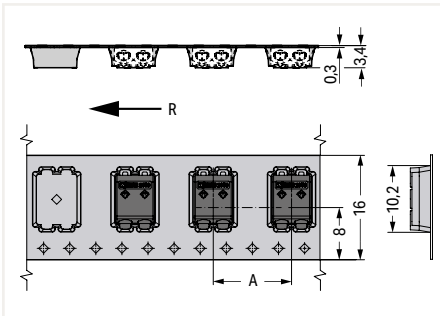
L = (pole no. x pin spacing) – 0.1 mm



L = (pole no. x pin spacing) – 0.1 mm



R = feed direction
A = 12 mm (2- and 3-pole)



R = feed direction
A = 12 mm (2- and 3-pole)

3

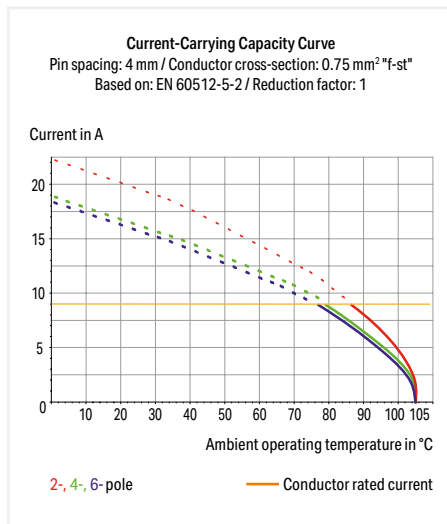
SMD PCB terminal block ▶ 2060 Series

Push-in CAGE CLAMP® ▶ Pin spacing: 4 mm / 0.157 inch ▶ Actuation type: Push-button ▶ 0.75 mm²



- SMD PCB terminal blocks with Push-in CAGE CLAMP® connection technology and push-buttons
- Push-in termination of solid and ferruled conductors
- Convenient termination/removal of fine-stranded conductors via push-buttons
- Just 4.5 mm tall
- Available in tape-and-reel packaging for automated assembly

3



Electrical Data

Pin spacing	4 mm / 0.157 inch		
Ratings per	IEC/EN 60664-1		
Overvoltage category	III	III	II
Pollution degree	3	2	2
Rated voltage	63 V	160 V	320 V
Rated impulse voltage	2.5 kV	2.5 kV	2.5 kV
Rated current	9 A	9 A	9 A
Approbations per	UL 1977		
Rated voltage	600 V		
Rated current	9 A		

Connection Data

Connection technology	Push-in CAGE CLAMP®
Strip length	7 ... 9 mm / 0.28 ... 0.35 inch
Conductor connection direction to PCB	0°
Solid conductor	0.2 ... 0.75 mm ² / 24 ... 18 AWG
Fine-stranded conductor	0.2 ... 0.75 mm ² / 24 ... 18 AWG
Fine-stranded conductor; with insulated ferrule	0.25 ... 0.34 mm ²
Fine-stranded conductor; with uninsulated ferrule	0.25 ... 0.34 mm ²

Material Data

Material group	I
Insulation material	Polyphthalamide (PPA GF)
Flammability class per UL94	V0
Clamping spring material	Chrome nickel spring steel (CrNi)
Contact material	Copper alloy
Contact plating	Tin-plated

Mechanical Data

Reel diameter of tape-and-reel packaging	330 mm
--	--------

Environmental Requirements

Limit temperature range	-60 ... +105 °C
-------------------------	-----------------

Application notes:

Suitable for lead-free, reflow-soldering profiles per DIN EN 61760-1 and IEC 60068-2-58 up to max. 260°C peak temperature. Due to application-specific variables (component configuration and orientation, type of soldering machine, solder paste), trial runs are recommended to ensure product and process compatibility under actual manufacturing conditions.

Depending on reflow soldering temperatures and times, color deviations may occur. These deviations will have no impact on functionality.

Recommendation for stencil:

Material thickness: 150 µm; Pattern layout identical to solder pad layout

Ferrule Page 879

General accessories Page 329

Tool Page 334

See technical section for further information

For approvals and corresponding ratings, visit www.wago.com

SMD PCB terminal block ▶ 2060 Series

Push-in CAGE CLAMP® ▶ Pin spacing: 4 mm / 0.157 inch ▶ Actuation type: Push-button ▶ 0.75 mm²

Color: white

Color: black

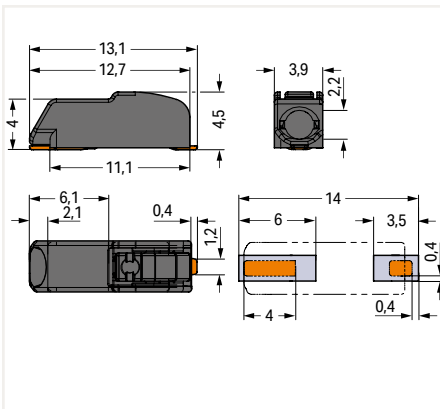
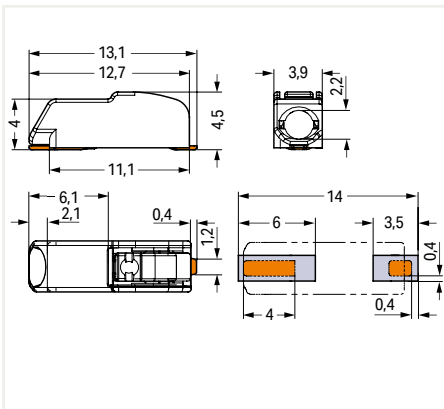


Insert solid conductors via push-in termination.

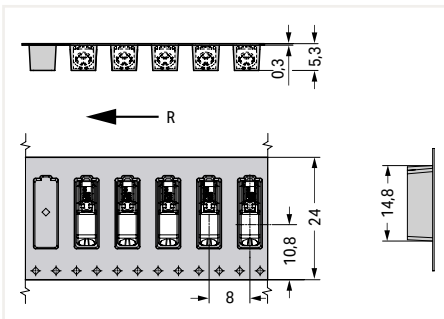
3

Pole No.	Item No.	PU (SPU)
1	2060-451/998-404	13500 (1500)

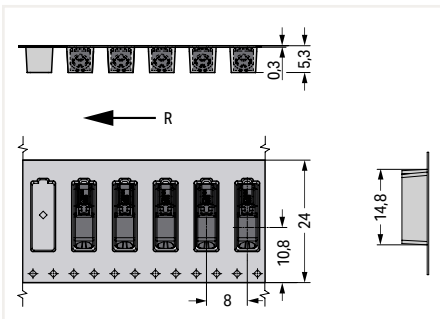
Pole No.	Item No.	PU (SPU)
1	2060-471/998-404	13500 (1500)



Insert/remove fine-stranded conductors by lightly pressing on push-button, e.g., via optional operating tool (206-860).



R = feed direction



R = feed direction

PU = Packaging Unit; SPU = Subpackaging Unit; Dimensions in mm

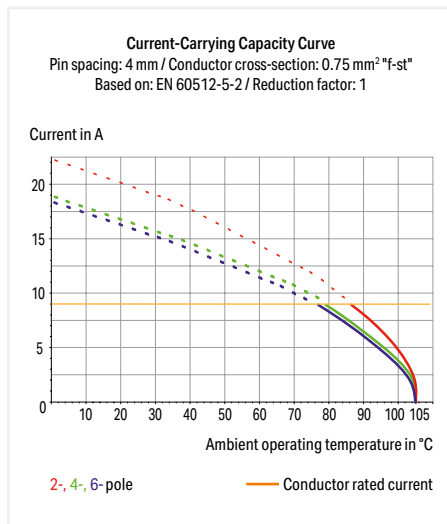
SMD PCB terminal block ▶ 2060 Series

Push-in CAGE CLAMP® ▶ Pin spacing: 4 mm / 0.157 inch ▶ Actuation type: Push-button ▶ 0.75 mm²



- SMD PCB terminal blocks with Push-in CAGE CLAMP® connection technology and push-buttons
- Push-in termination of solid and ferruled conductors
- Convenient termination/removal of fine-stranded conductors via push-buttons
- Just 4.5 mm tall
- Available in tape-and-reel packaging for automated assembly

3



Electrical Data

Pin spacing	4 mm / 0.157 inch		
Ratings per	IEC/EN 60664-1		
Overvoltage category	III	III	II
Pollution degree	3	2	2
Rated voltage	63 V	160 V	320 V
Rated impulse voltage	2.5 kV	2.5 kV	2.5 kV
Rated current	9 A	9 A	9 A
Approbations per	UL 1977		
Rated voltage	320 V		
Rated current	9 A		

Connection Data

Connection technology	Push-in CAGE CLAMP®
Strip length	7 ... 9 mm / 0.28 ... 0.35 inch
Conductor connection direction to PCB	0°
Solid conductor	0.2 ... 0.75 mm ² / 24 ... 18 AWG
Fine-stranded conductor	0.2 ... 0.75 mm ² / 24 ... 18 AWG
Fine-stranded conductor; with insulated ferrule	0.25 ... 0.34 mm ²
Fine-stranded conductor; with uninsulated ferrule	0.25 ... 0.34 mm ²

Material Data

Material group	I
Insulation material	Polyphthalamide (PPA GF)
Flammability class per UL94	V0
Clamping spring material	Chrome nickel spring steel (CrNi)
Contact material	Copper alloy
Contact plating	Tin-plated

Mechanical Data

Reel diameter of tape-and-reel packaging	330 mm
--	--------

Environmental Requirements

Limit temperature range	-60 ... +105 °C
-------------------------	-----------------

Application notes:

Suitable for lead-free, reflow-soldering profiles per DIN EN 61760-1 and IEC 60068-2-58 up to max. 260°C peak temperature. Due to application-specific variables (component configuration and orientation, type of soldering machine, solder paste), trial runs are recommended to ensure product and process compatibility under actual manufacturing conditions.

Depending on reflow soldering temperatures and times, color deviations may occur. These deviations will have no impact on functionality.

Recommendation for stencil:

Material thickness: 150 µm; Pattern layout identical to solder pad layout

Ferrule Page 879

General accessories Page 329

Tool Page 334

See technical section for further information

For approvals and corresponding ratings, visit www.wago.com

SMD PCB terminal block ▶ 2060 Series

Push-in CAGE CLAMP® ▶ Pin spacing: 4 mm / 0.157 inch ▶ Actuation type: Push-button ▶ 0.75 mm²

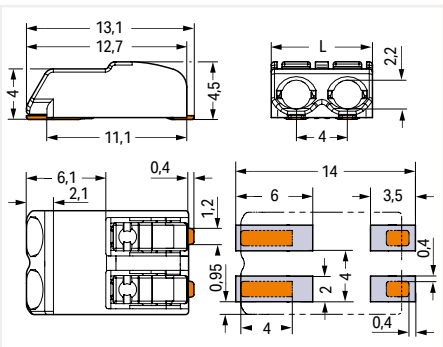
Color: white

Color: black

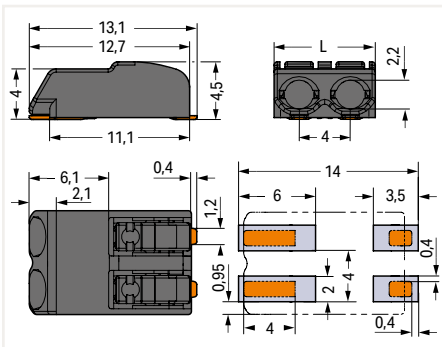


Pole No.	Item No.	PU (SPU)
2	2060-452/998-404	9000 (1000)
3	2060-453/998-404	6750 (750)

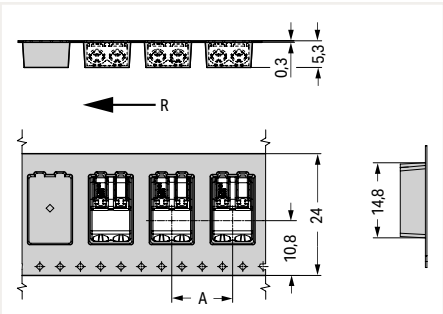
Pole No.	Item No.	PU (SPU)
2	2060-472/998-404	9000 (1000)
3	2060-473/998-404	6750 (750)



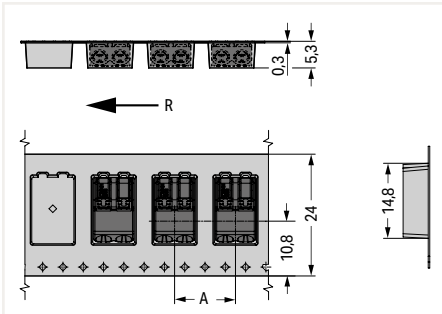
L = (pole no. x pin spacing) - 0.1 mm



L = (pole no. x pin spacing) - 0.1 mm



R = feed direction
A = (pole no. x pin spacing) + 4 mm



R = feed direction
A = (pole no. x pin spacing) + 4 mm



Insert solid conductors via push-in termination.



Insert/remove fine-stranded conductors by lightly pressing on push-button, e.g., via optional operating tool (206-860).

3

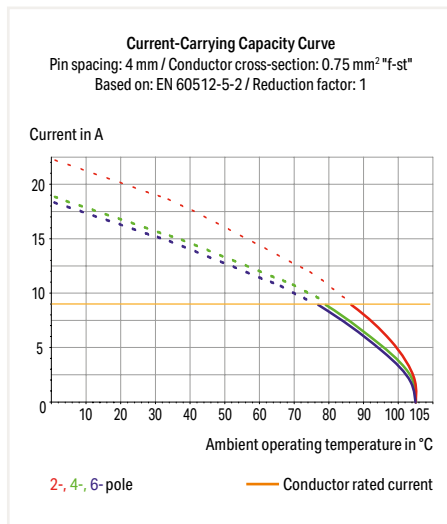
SMD PCB terminal block ▶ 2060 Series

Push-in CAGE CLAMP® ▶ Pin spacing: 8 mm / 0.314 inch ▶ Actuation type: Push-button ▶ 0.75 mm²



- SMD PCB terminal blocks with Push-in CAGE CLAMP® connection technology and push-buttons
- Push-in termination of solid and ferruled conductors
- Convenient termination/removal of fine-stranded conductors via push-buttons
- Just 4.5 mm tall
- Available in tape-and-reel packaging for automated assembly

3



Electrical Data

Pin spacing	8 mm / 0.314 inch		
Ratings per	IEC/EN 60664-1		
Overvoltage category	III	III	II
Pollution degree	3	2	2
Rated voltage	400 V	630 V	1000 V
Rated impulse voltage	6 kV	6 kV	6 kV
Rated current	9 A	9 A	9 A
Approbations per	UL 1977		
Rated voltage	600 V		
Rated current	9 A		

Connection Data

Connection technology	Push-in CAGE CLAMP®
Strip length	7 ... 9 mm / 0.28 ... 0.35 inch
Conductor connection direction to PCB	0°
Solid conductor	0.2 ... 0.75 mm ² / 24 ... 18 AWG
Fine-stranded conductor	0.2 ... 0.75 mm ² / 24 ... 18 AWG
Fine-stranded conductor; with insulated ferrule	0.25 ... 0.34 mm ²
Fine-stranded conductor; with uninsulated ferrule	0.25 ... 0.34 mm ²

Material Data

Material group	I
Insulation material	Polyphthalamide (PPA GF)
Flammability class per UL94	V0
Clamping spring material	Chrome nickel spring steel (CrNi)
Contact material	Copper alloy
Contact plating	Tin-plated

Mechanical Data

Reel diameter of tape-and-reel packaging	330 mm
--	--------

Environmental Requirements

Limit temperature range	-60 ... +105 °C
-------------------------	-----------------

Application notes:

Suitable for lead-free, reflow-soldering profiles per DIN EN 61760-1 and IEC 60068-2-58 up to max. 260°C peak temperature. Due to application-specific variables (component configuration and orientation, type of soldering machine, solder paste), trial runs are recommended to ensure product and process compatibility under actual manufacturing conditions.

Depending on reflow soldering temperatures and times, color deviations may occur. These deviations will have no impact on functionality.

Recommendation for stencil:

Material thickness: 150 µm; Pattern layout identical to solder pad layout

Ferrule Page 879

General accessories Page 329

Tool Page 334

See technical section for further information

For approvals and corresponding ratings, visit www.wago.com

SMD PCB terminal block ▶ 2060 Series

Push-in CAGE CLAMP® ▶ Pin spacing: 8 mm / 0.314 inch ▶ Actuation type: Push-button ▶ 0.75 mm²

Color: white

Color: black

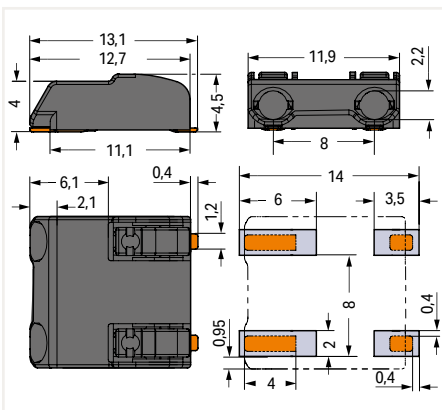
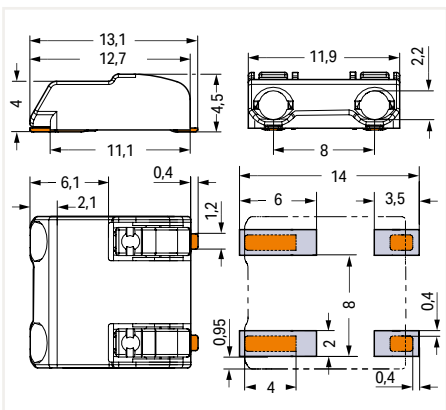


Insert solid conductors via push-in termination.

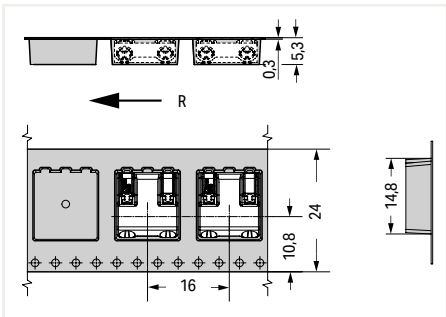
3

Pole No.	Item No.	PU (SPU)
2	2060-852/998-404	6750 (750)

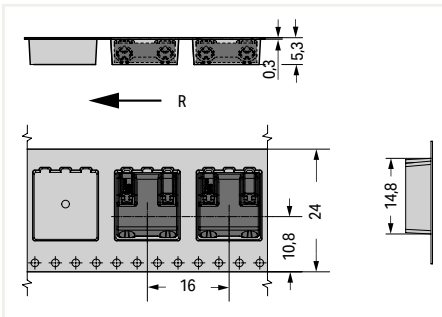
Pole No.	Item No.	PU (SPU)
2	2060-872/998-404	6750 (750)



Insert/remove fine-stranded conductors by lightly pressing on push-button, e.g., via optional operating tool (206-860).



R = feed direction

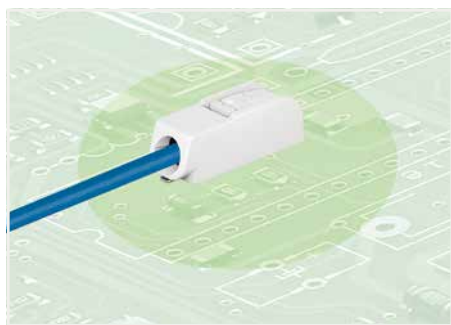


R = feed direction

PU = Packaging Unit; SPU = Subpackaging Unit; Dimensions in mm

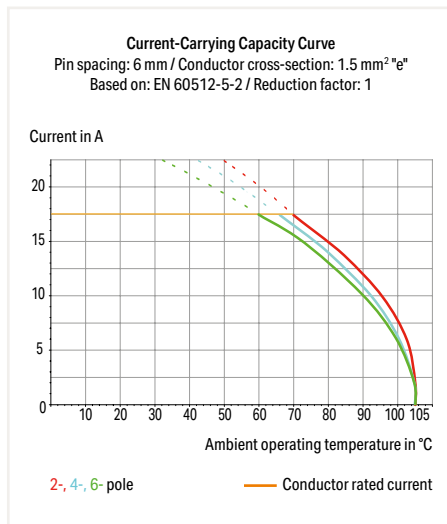
SMD PCB terminal block ▶ 2061 Series

Push-in CAGE CLAMP® ▶ Pin spacing: 6 mm / 0.24 inch ▶ Actuation type: Push-button ▶ 1.5 mm²



- SMD PCB terminal blocks with Push-in CAGE CLAMP® connection technology and push-buttons
- Just 5.6 mm tall
- Push-in termination of solid and ferruled conductors
- Push-button for easy connection and disconnection of all conductor types
- Available in tape-and-reel packaging for automated assembly

3



Electrical Data

Pin spacing	6 mm / 0.24 inch		
Ratings per	IEC/EN 60664-1		
Overvoltage category	III	III	II
Pollution degree	3	2	2
Rated voltage	250 V	320 V	630 V
Rated impulse voltage	4 kV	4 kV	4 kV
Rated current	17.5 A	17.5 A	17.5 A
Approbations per	UL 1059		
Use group	B	C	D
Rated voltage	600 V	-	600 V
Rated current	10 A	-	5 A

Connection Data

Connection technology	Push-in CAGE CLAMP®
Strip length	7 ... 10 mm / 0.28 ... 0.39 inch
Conductor connection direction to PCB	0°
Solid conductor	0.5 ... 1.5 mm ² / 20 ... 16 AWG
Fine-stranded conductor	0.5 ... 1.5 mm ² / 20 ... 16 AWG
Fine-stranded conductor; with insulated ferrule	0.5 ... 0.75 mm ²
Fine-stranded conductor; with uninsulated ferrule	0.5 ... 0.75 mm ²

Material Data

Material group	I
Insulation material	Polyphthalamide (PPA GF)
Flammability class per UL94	V0
Clamping spring material	Chrome nickel spring steel (CrNi)
Contact material	Copper alloy
Contact plating	Tin-plated

Mechanical Data

Reel diameter of tape-and-reel packaging	330 mm
--	--------

Environmental Requirements

Limit temperature range	-60 ... +105 °C
-------------------------	-----------------

Application notes:

Suitable for lead-free, reflow-soldering profiles per DIN EN 61760-1 and IEC 60068-2-58 up to max. 260°C peak temperature. Due to application-specific variables (component configuration and orientation, type of soldering machine, solder paste), trial runs are recommended to ensure product and process compatibility under actual manufacturing conditions.

Depending on reflow soldering temperatures and times, color deviations may occur. These deviations will have no impact on functionality.

Recommendation for stencil:

150 µm material thickness; Pattern layout identical to solder pad layout

Ferrule Page 879

General accessories Page 331

Tool Page 332

See technical section for further information

For approvals and corresponding ratings, visit www.wago.com

SMD PCB terminal block ▶ 2061 Series

Push-in CAGE CLAMP® ▶ Pin spacing: 6 mm / 0.24 inch ▶ Actuation type: Push-button ▶ 1.5 mm²

Color: white

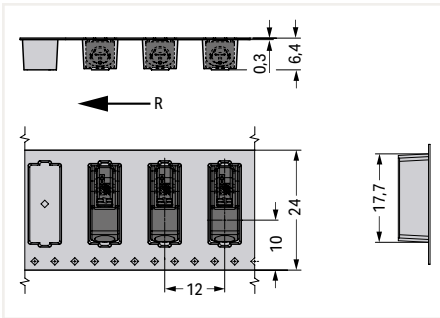
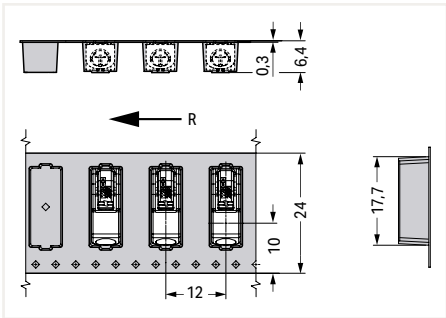
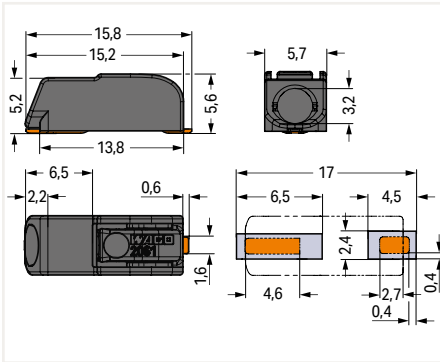
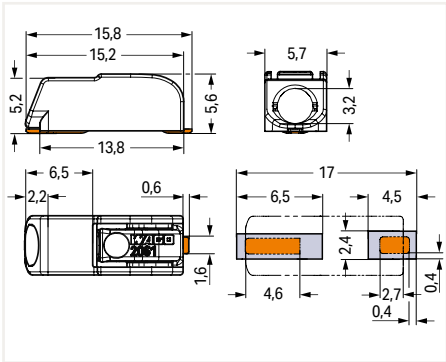
Color: black



3

Pole No.	Item No.	PU (SPU)
1	2061-601/998-404	8100 (900)

Pole No.	Item No.	PU (SPU)
1	2061-621/998-404	8100 (900)



R = feed direction

R = feed direction

PU = Packaging Unit; SPU = Subpackaging Unit; Dimensions in mm

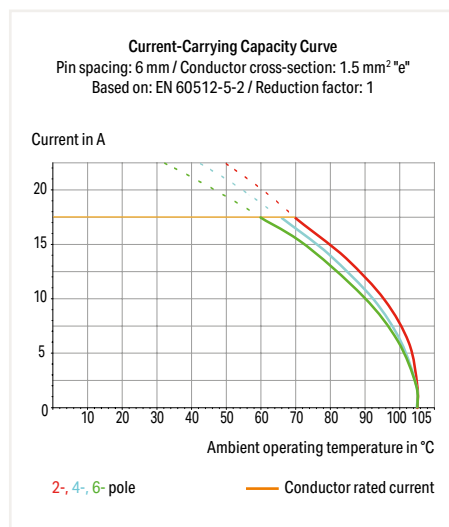
SMD PCB terminal block ▶ 2061 Series

Push-in CAGE CLAMP® ▶ Pin spacing: 6 mm / 0.24 inch ▶ Actuation type: Push-button ▶ 1.5 mm²



- SMD PCB terminal blocks with Push-in CAGE CLAMP® connection technology and push-buttons
- Just 5.6 mm tall
- Push-in termination of solid and ferruled conductors
- Push-button for easy connection and disconnection of all conductor types
- Available in tape-and-reel packaging for automated assembly

3



Electrical Data			
Pin spacing	6 mm / 0.24 inch		
Ratings per	IEC/EN 60664-1		
Overvoltage category	III	III	II
Pollution degree	3	2	2
Rated voltage	250 V	320 V	630 V
Rated impulse voltage	4 kV	4 kV	4 kV
Rated current	17.5 A	17.5 A	17.5 A
Approbations per	UL 1059		
Use group	B	C	D
Rated voltage	300 V	-	300 V
Rated current	10 A	-	10 A

Connection Data	
Connection technology	Push-in CAGE CLAMP®
Strip length	7 ... 10 mm / 0.28 ... 0.39 inch
Conductor connection direction to PCB	0°
Solid conductor	0.5 ... 1.5 mm ² / 20 ... 16 AWG
Fine-stranded conductor	0.5 ... 1.5 mm ² / 20 ... 16 AWG
Fine-stranded conductor; with insulated ferrule	0.5 ... 0.75 mm ²
Fine-stranded conductor; with uninsulated ferrule	0.5 ... 0.75 mm ²

Material Data	
Material group	I
Insulation material	Polyphthalamide (PPA GF)
Flammability class per UL94	V0
Clamping spring material	Chrome nickel spring steel (CrNi)
Contact material	Copper alloy
Contact plating	Tin-plated

Mechanical Data	
Reel diameter of tape-and-reel packaging	330 mm

Environmental Requirements	
Limit temperature range	-60 ... +105 °C

Application notes:

Suitable for lead-free, reflow-soldering profiles per DIN EN 61760-1 and IEC 60068-2-58 up to max. 260°C peak temperature. Due to application-specific variables (component configuration and orientation, type of soldering machine, solder paste), trial runs are recommended to ensure product and process compatibility under actual manufacturing conditions.

Depending on reflow soldering temperatures and times, color deviations may occur. These deviations will have no impact on functionality.

Recommendation for stencil:

150 µm material thickness; Pattern layout identical to solder pad layout

Ferrule Page 879

General accessories Page 331

Tool Page 332

See technical section for further information

For approvals and corresponding ratings, visit www.wago.com

SMD PCB terminal block ▶ 2061 Series

Push-in CAGE CLAMP® ▶ Pin spacing: 6 mm / 0.24 inch ▶ Actuation type: Push-button ▶ 1.5 mm²

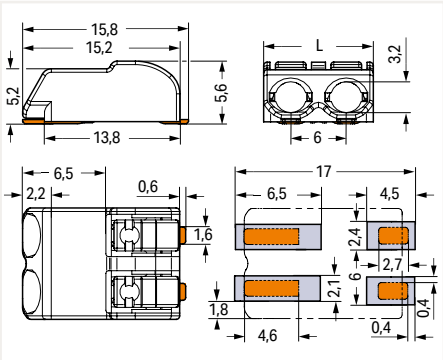
Color: white

Color: black

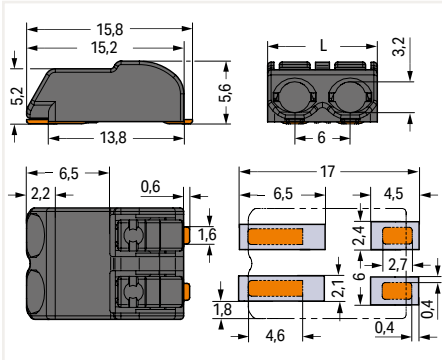


Pole No.	Item No.	PU (SPU)
2	2061-602/998-404	6300 (700)
3	2061-603/998-404	4050 (450)

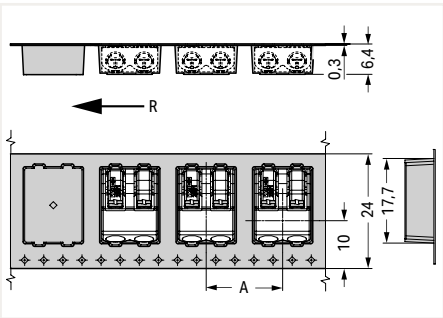
Pole No.	Item No.	PU (SPU)
2	2061-622/998-404	6300 (700)
3	2061-623/998-404	4050 (450)



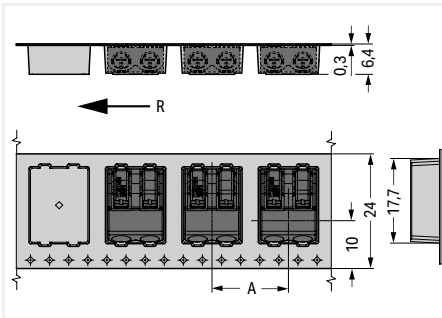
L = (pole no. x pin spacing) – 0.3 mm



L = (pole no. x pin spacing) – 0.3 mm



R = feed direction
A = 16 mm (2-pole)
A = 22 mm (3-pole)



R = feed direction
A = 16 mm (2-pole)
A = 22 mm (3-pole)

PU = Packaging Unit; SPU = Subpackaging Unit; Dimensions in mm

SMD PCB terminal block ▶ 2065 Series**PUSH WIRE® ▶ Pin spacing: 6 mm / 0.236 inch ▶ Actuation type: Push-in ▶ 0.75 mm² ▶ Color: silver-colored**

- SMD PCB terminal block with PUSH WIRE® connection technology
- Push-in termination of solid conductors
- Height of just 2.7 mm
- Available in tape-and-reel packaging for automated assembly

Electrical Data			
Pin spacing	6 mm / 0.236 inch		
Ratings per	IEC/EN 60664-1		
Overvoltage category	III	III	II
Pollution degree	3	2	2
Rated voltage	250 V	320 V	630 V
Rated impulse voltage	-	4 kV	4 kV
Rated current	9 A	9 A	9 A
Approbations per	UL 1977		
Rated voltage	600 V		
Rated current	9 A		
Connection Data			
Connection technology	PUSH WIRE®		
Strip length	7.5 ... 9.5 mm / 0.3 ... 0.37 inch		
Conductor connection direction to PCB	0°		
Solid conductor	0.2 ... 0.75 mm ² / 24 ... 18 AWG		
Material Data			
Clamping spring material	Chrome nickel spring steel (CrNi)		
Contact material	Copper alloy		
Contact plating	Tin-plated		
Mechanical Data			
Reel diameter of tape-and-reel packaging	330 mm		
Environmental Requirements			
Limit temperature range	-60 ... +120 °C		

The ratings are based on an example pin spacing of 6 mm. The layout must meet the requirements of the insulation coordination standard EN/IEC 60664-1 and applicable end product standards.

NOTE: Terminal block without insulation housing! Protection against accidental contact must be provided at voltages higher than low voltages (e.g., SELV/PELV) for the relevant application.

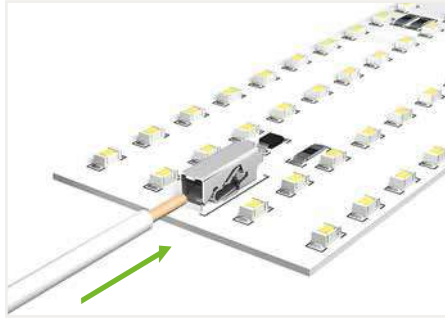
General accessories Page 333

See technical section for further information

For approvals and corresponding ratings, visit www.wago.com

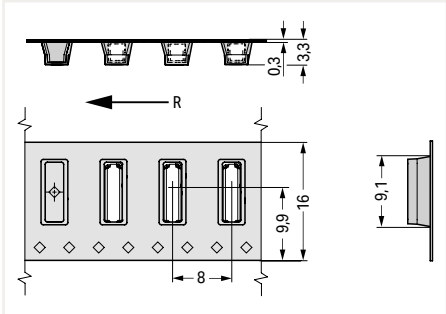
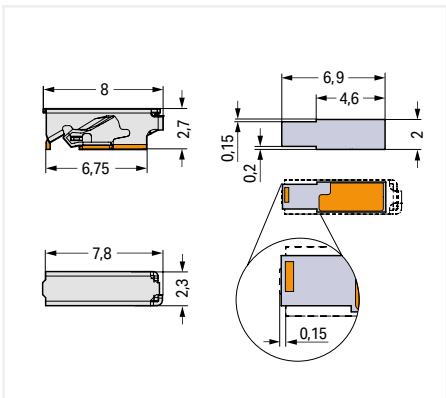
SMD PCB terminal block ▶ 2065 Series

PUSH WIRE® ▶ Pin spacing: 6 mm / 0.236 inch ▶ Actuation type: Push-in ▶ 0.75 mm² ▶ Color: silver-colored



PUSH WIRE® version without push-buttons: Even more space savings when using exclusively solid conductors

Pole No.	Item No.	PU (SPU)
1	2065-101/998-403	31800 (2650)



R = feed direction

PU = Packaging Unit; SPU = Subpackaging Unit; Dimensions in mm

SMD PCB terminal block ▶ 2065 Series

Push-in CAGE CLAMP® ▶ Pin spacing: 6.5 mm / 0.256 inch ▶ Actuation type: Push-button ▶ 0.75 mm² ▶ Color: silver-colored



- SMD PCB terminal block with push-button and Push-in CAGE CLAMP® connection technology
- Push-in termination of solid conductors
- Convenient termination/removal of fine-stranded conductors via push-button and operating tool
- Height of just 2.7 mm
- Available in tape-and-reel packaging for automated assembly
- Also available in a PUSH WIRE® variant without push-button (only for solid conductors)

Electrical Data			
Pin spacing	6.5 mm / 0.256 inch		
Ratings per	IEC/EN 60664-1		
Overvoltage category	III	III	II
Pollution degree	3	2	2
Rated voltage	-	320 V	630 V
Rated impulse voltage	-	4 kV	4 kV
Rated current	-	9 A	9 A
Approbations per	UL 1977		
Rated voltage	600 V		
Rated current	9 A		
Connection Data			
Connection technology	Push-in CAGE CLAMP®		
Strip length	7.5 ... 9.5 mm / 0.3 ... 0.37 inch		
Conductor connection direction to PCB	0°		
Solid conductor	0.2 ... 0.75 mm ² / 24 ... 18 AWG		
Fine-stranded conductor	0.2 ... 0.75 mm ² / 24 ... 18 AWG		
Material Data			
Clamping spring material	Chrome nickel spring steel (CrNi)		
Contact material	Copper alloy		
Contact plating	Tin-plated		
Mechanical Data			
Reel diameter of tape-and-reel packaging	330 mm		
Environmental Requirements			
Limit temperature range	-60 ... +120 °C		

The ratings are based on an example pin spacing of 6.5 mm.

The layout must meet the requirements of the insulation coordination standard EN/IEC 60664-1 and applicable end product standards.

NOTE: Terminal block without insulation housing! Protection against accidental contact must be provided at voltages higher than low voltages (e.g., SELV/PELV) for the relevant application.

General accessories Page 333

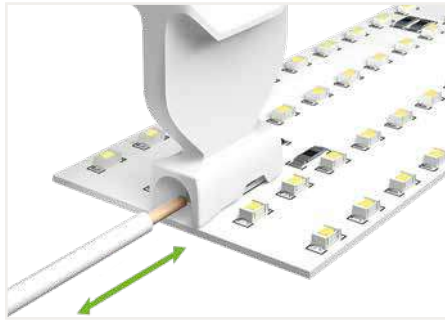
Tool Page 335

See technical section for further information

For approvals and corresponding ratings, visit www.wago.com

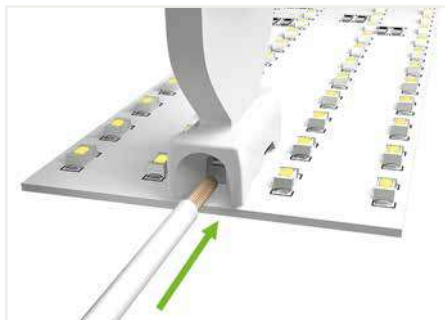
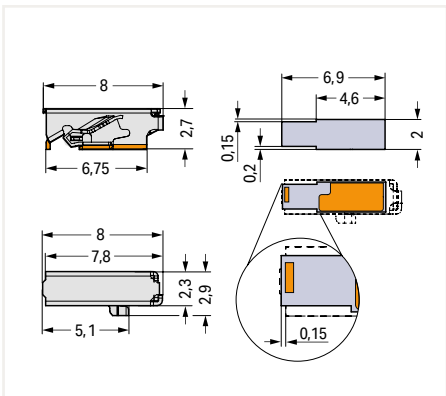
SMD PCB terminal block ▶ 2065 Series

Push-in CAGE CLAMP® ▶ Pin spacing: 6.5 mm / 0.256 inch ▶ Actuation type: Push-button ▶ 0.75 mm² ▶ Color: silver-colored

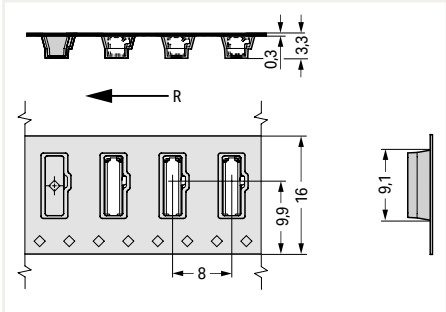


Push-in CAGE CLAMP® variant: Insert fine-stranded conductors and remove all conductor types via operating tool. Solid conductors can also be terminated by simply pushing them in.

Pole No.	Item No.	PU (SPU)
1	2065-100/998-403	31800 (2650)



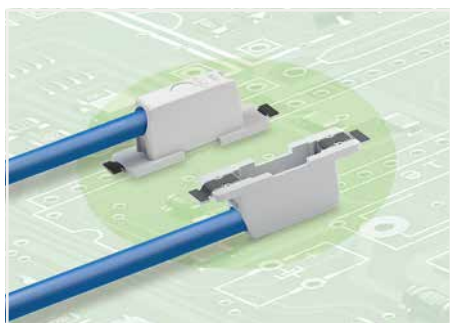
The 2065-189 Operating Tool's funneled conductor entry securely guides all conductor types into the Push-in CAGE CLAMP®.



R = feed direction

Through-Board SMD PCB Terminal Block ▶ 2070 Series

Push-in CAGE CLAMP® ▶ Pin spacing: 6.5 mm / 0.256 inch ▶ Actuation type: Operating tool ▶ 0.75 mm² ▶ Color: white



- SMD PCB terminal block with Push-in CAGE CLAMP® connection for back-side wiring of LED modules
- Low profile of just 1.1 mm on the module's front side
- Push-in termination of solid conductors
- Insert fine-stranded conductors and remove all conductors via operating tool

Electrical Data			
Pin spacing	6.5 mm / 0.256 inch		
Electrical data for FR4 PCB type			
Ratings per	IEC/EN 60664-1		
Overtoltage category	III	III	II
Pollution degree	3	2	2
Rated voltage	320 V	320 V	630 V
Rated impulse voltage	4 kV	4 kV	4 kV
Rated current	9 A	9 A	9 A
Approbations per			
Rated voltage	600 V		
Rated current	9 A		
Electrical data for metal-core PCBs			
Ratings per	IEC/EN 60664-1		
Overtoltage category	III	III	II
Pollution degree	3	2	2
Rated voltage	200 V	320 V	500 V
Rated impulse voltage	4 kV	4 kV	4 kV
Rated current	9 A	9 A	9 A
Connection Data			
Connection technology	Push-in CAGE CLAMP®		
Strip length	8 ... 10 mm / 0.31 ... 0.39 inch		
Conductor connection direction to PCB	0°		
Solid conductor	0.2 ... 0.75 mm ² / 24 ... 18 AWG		
Fine-stranded conductor	0.2 ... 0.75 mm ² / 24 ... 18 AWG		
Material Data			
Material group	I		
Insulation material	Polyphthalamide (PPA GF)		
Flammability class per UL94	V0		
Clamping spring material	Chrome nickel spring steel (CrNi)		
Contact material	Copper alloy		
Contact plating	Tin-plated		
Mechanical Data			
Reel diameter of tape-and-reel packaging	330 mm		
Environmental Requirements			
Limit temperature range	-60 ... +105 °C		

Depending on reflow soldering temperatures and times, color deviations may occur. These deviations will have no impact on functionality.

Tool Page 332

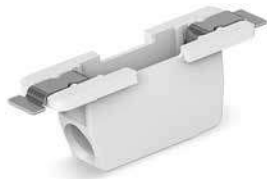
See technical section for further information

For approvals and corresponding ratings, visit www.wago.com

Through-Board SMD PCB Terminal Block ▶ 2070 Series

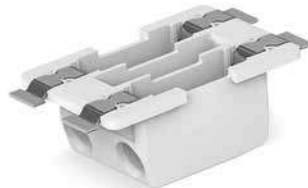
Push-in CAGE CLAMP® ▶ Pin spacing: 6.5 mm / 0.256 inch ▶ Actuation type: Operating tool ▶ 0.75 mm² ▶ Color: white

without cover



2070-451/998-406

without cover



2070-452/998-406

without cover

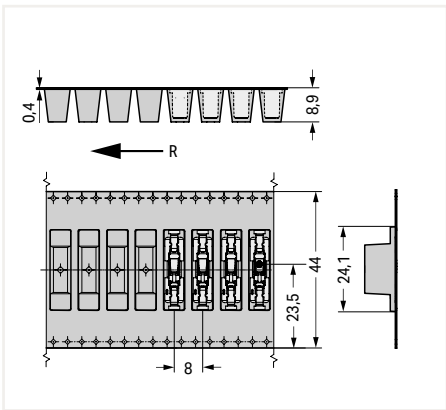
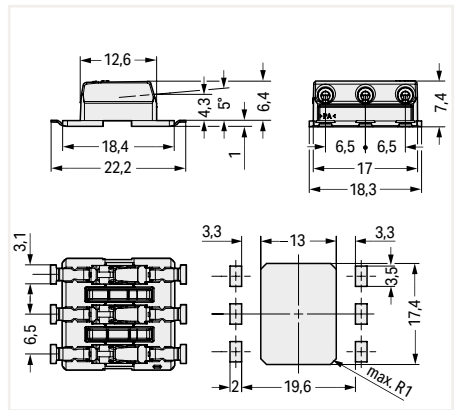
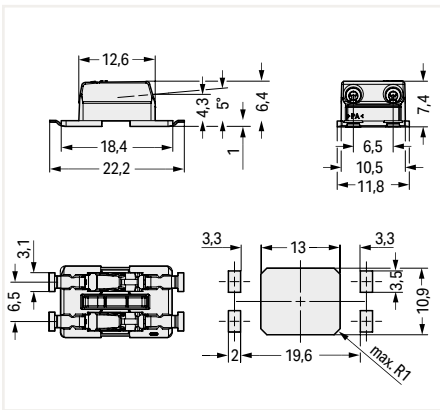
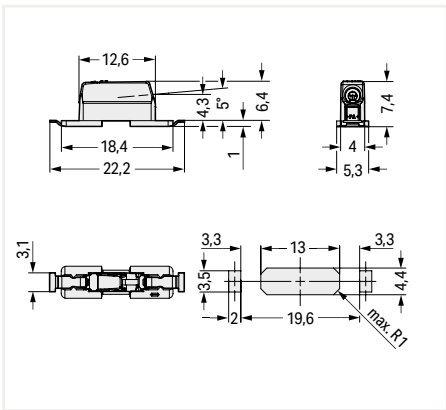


2070-453/998-406

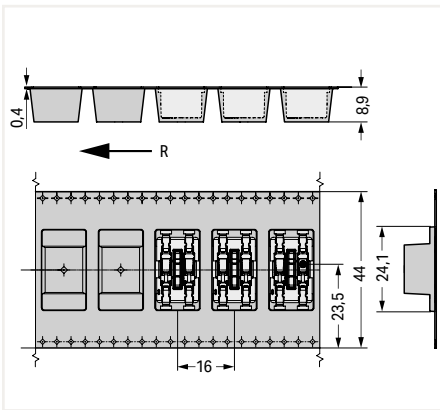
Pole No.	Item No.	PU (SPU)
1	2070-451/998-406	4770 (954)

Pole No.	Item No.	PU (SPU)
2	2070-452/998-406	2385 (477)

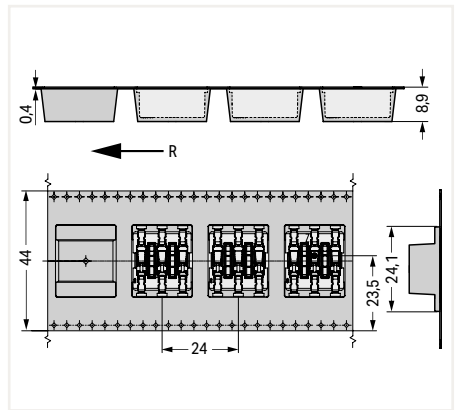
Pole No.	Item No.	PU (SPU)
3	2070-453/998-406	1590 (318)



R = feed direction



R = feed direction



R = feed direction

PU = Packaging Unit; SPU = Subpackaging Unit; Dimensions in mm

Other versions (or variants) can be requested from WAGO Sales or configured at <https://configurator.wago.com/>.

- Reel diameter of tape-and-reel packaging: 381 mm

Through-Board SMD PCB Terminal Block ▶ 2070 Series

Push-in CAGE CLAMP® ▶ Pin spacing: 6.5 mm / 0.256 inch ▶ Actuation type: Operating tool ▶ 0.75 mm² ▶ Color: white

with cover



with cover



with cover



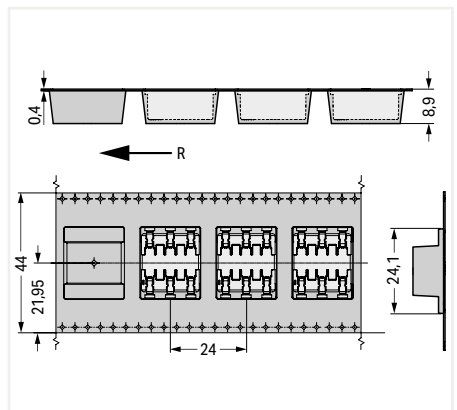
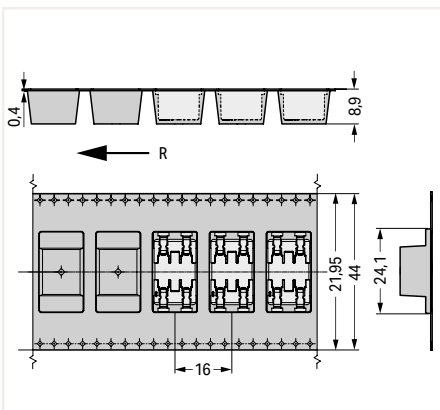
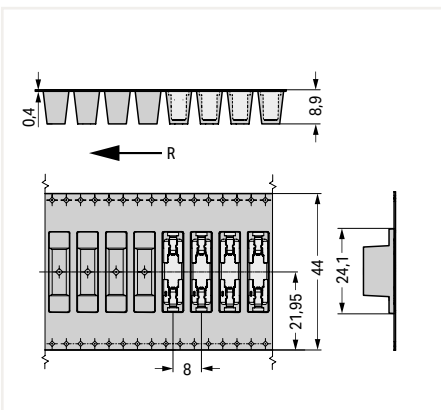
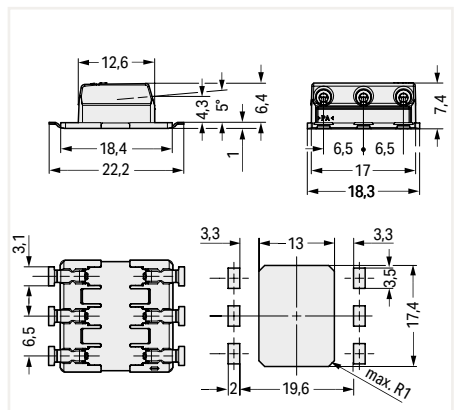
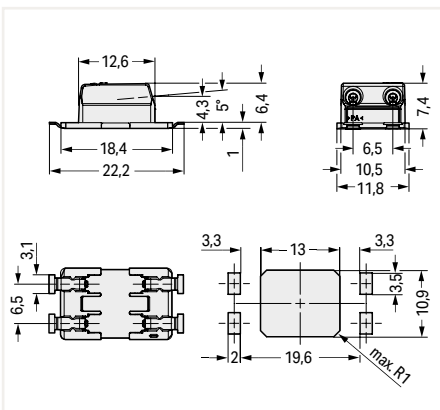
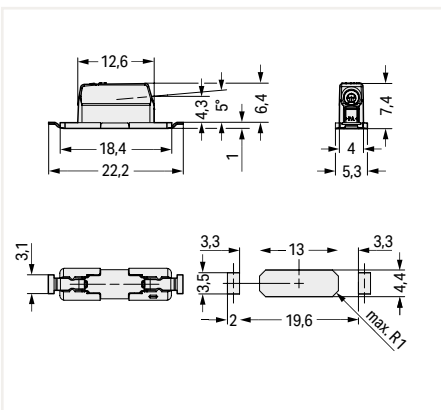
2070-462/998-406

2070-463/998-406

Pole No.	Item No.	PU (SPU)
1	2070-461/998-406	4770 (954)

Pole No.	Item No.	PU (SPU)
2	2070-462/998-406	2385 (477)

Pole No.	Item No.	PU (SPU)
3	2070-463/998-406	1590 (318)



R = feed direction

R = feed direction

R = feed direction

PU = Packaging Unit; SPU = Subpackaging Unit; Dimensions in mm

Other versions (or variants) can be requested from WAGO Sales or configured at <https://configurator.wago.com/>.

- Reel diameter of tape-and-reel packaging: 381 mm

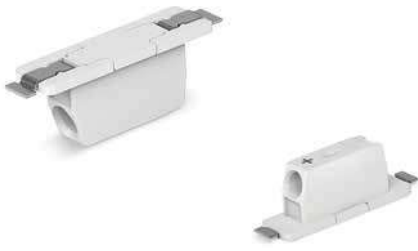
Through-Board SMD PCB Terminal Block ▶ 2070 Series

Push-in CAGE CLAMP® ▶ Pin spacing: 6.5 mm / 0.256 inch ▶ Actuation type: Operating tool ▶ 0.75 mm² ▶ Color: white

with cover ▶ Marking: +

with cover ▶ Marking: +-

with cover ▶ Marking: +- plain



2070-521/998-406



2070-522/998-406

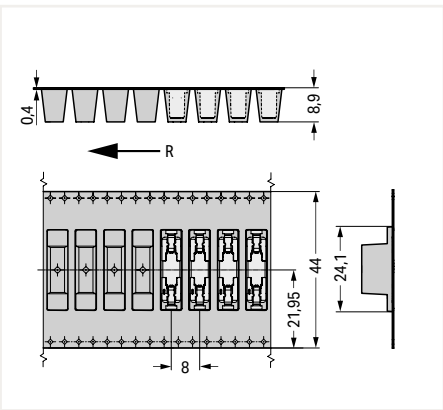
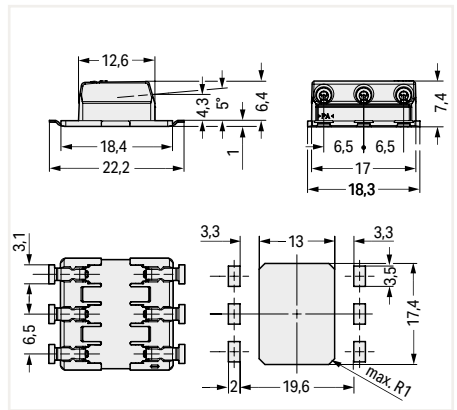
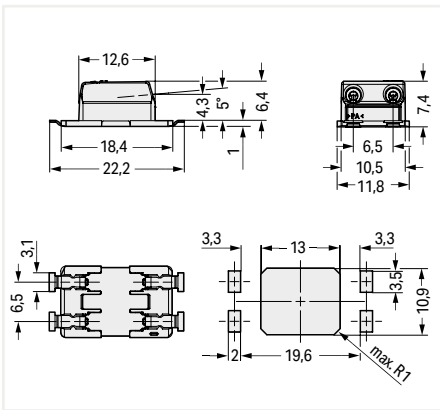
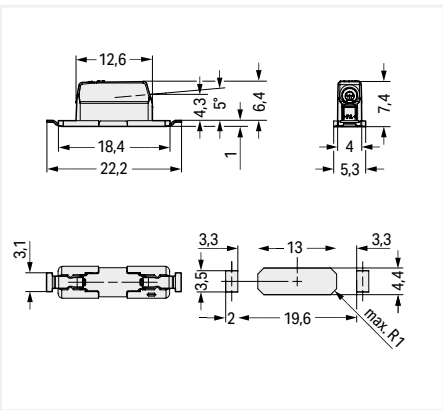


2070-523/998-406

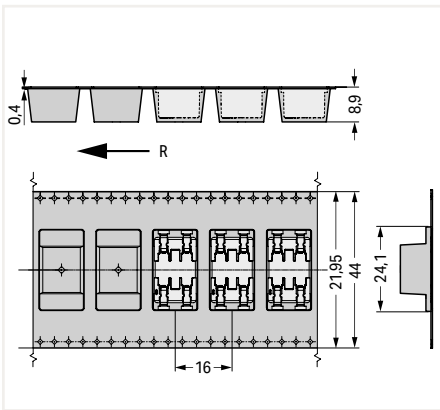
Pole No.	Item No.	PU (SPU)
1	2070-521/998-406	4770 (954)

Pole No.	Item No.	PU (SPU)
2	2070-522/998-406	2385 (477)

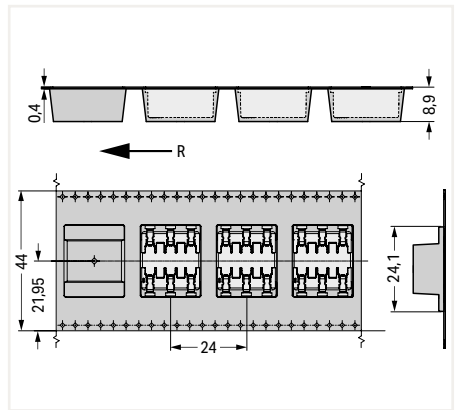
Pole No.	Item No.	PU (SPU)
3	2070-523/998-406	1590 (318)



R = feed direction



R = feed direction



R = feed direction

PU = Packaging Unit; SPU = Subpackaging Unit; Dimensions in mm

Other versions (or variants) can be requested from WAGO Sales or configured at <https://configurator.wago.com/>.

- Reel diameter of tape-and-reel packaging: 381 mm

Through-Board SMD PCB Terminal Block ▶ 2070 Series

Push-in CAGE CLAMP® ▶ Pin spacing: 6.5 mm / 0.256 inch ▶ Actuation type: Operating tool ▶ 0.75 mm² ▶ Color: white

with cover ▶ Marking: -

with cover ▶ Marking: - +

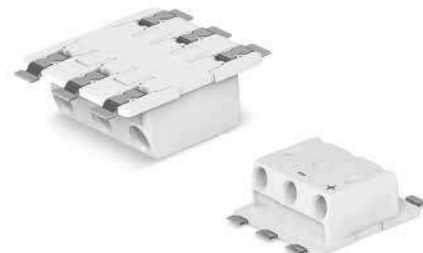
with cover ▶ Marking: plain - +



2070-541/998-406



2070-542/998-406

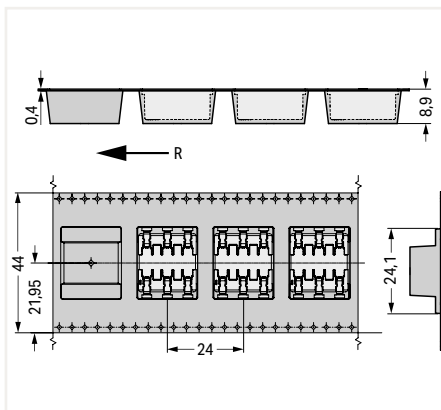
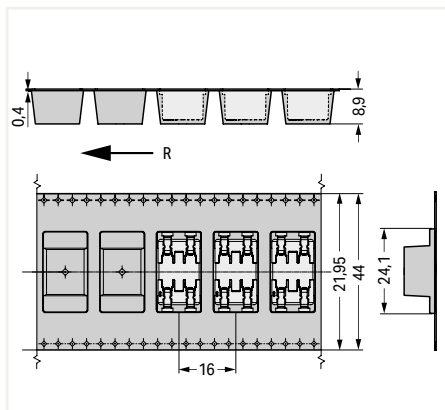
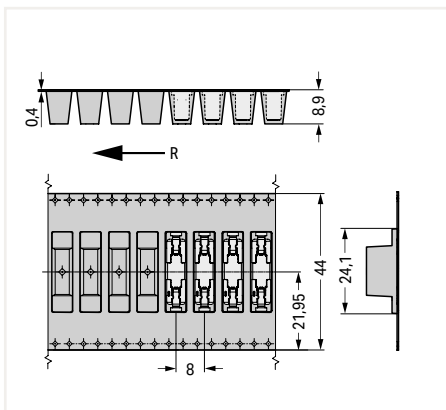
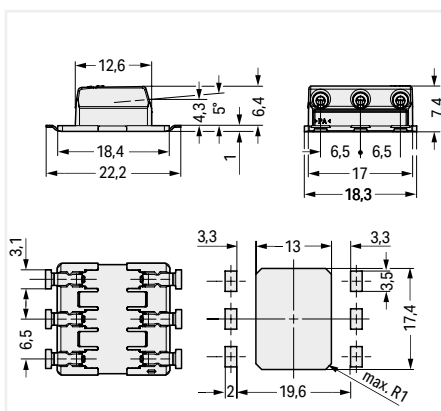
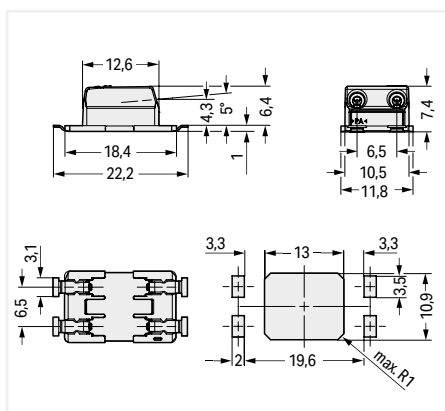
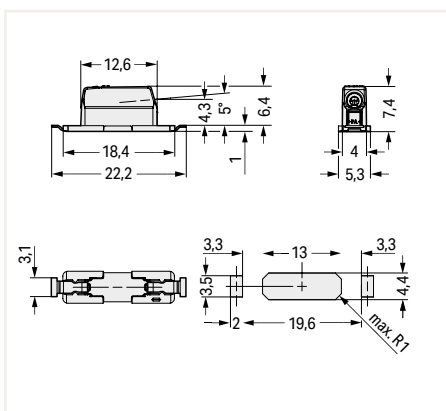


2070-543/998-406

Pole No.	Item No.	PU (SPU)
1	2070-541/998-406	4770 (954)

Pole No.	Item No.	PU (SPU)
2	2070-542/998-406	2385 (477)

Pole No.	Item No.	PU (SPU)
3	2070-543/998-406	1590 (318)



R = feed direction

R = feed direction

R = feed direction

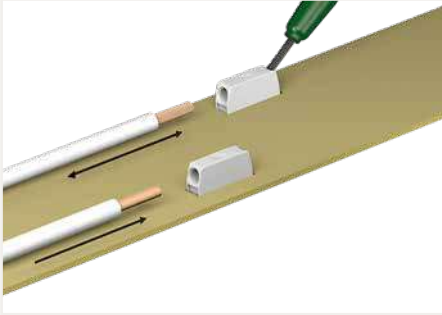
PU = Packaging Unit; SPU = Subpackaging Unit; Dimensions in mm

Other versions (or variants) can be requested from WAGO Sales or configured at <https://configurator.wago.com/>.

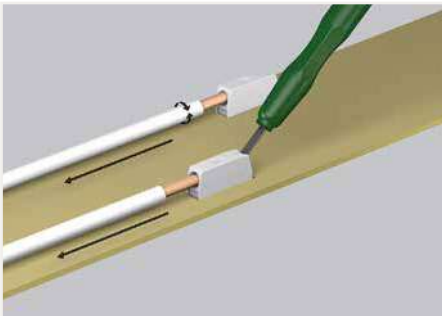
- Reel diameter of tape-and-reel packaging: 381 mm

Through-Board SMD PCB Terminal Block ▶ 2070 Series

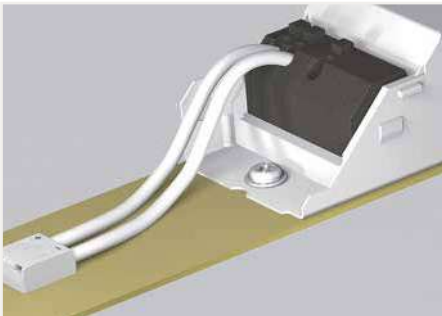
Push-in CAGE CLAMP® ▶ Pin spacing: 6.5 mm / 0.256 inch ▶ Actuation type: Operating tool ▶ 0.75 mm² ▶ Color: white



Insert fine-stranded conductors and remove all conductor types via operating tool. Solid conductors can also be terminated by simply pushing them in.



Use an operating tool or simply "twist and pull" to remove solid conductors.



Shift wiring to the back of the LED module via 2070 Series SMD PCB Terminal Blocks.

Board-to-Board Link for SMD PCB Terminal Blocks; 0.5 mm² Pin Spacing: 3 mm ▶ 2059 Series



- Board-to-board links simplify LED module assembly
- Easy push-in connection and disconnection

3

Electrical Data for Pin Spacing 3 mm / 0.118 inch

Ratings per	IEC/EN 60664-1		
Overvoltage category	III	III	II
Pollution degree	3	2	2
Rated voltage	63 V	160 V	320 V
Rated surge voltage	2.5 kV	2.5 kV	2.5 kV
Rated Current	3 A	3 A	3 A

Material Data

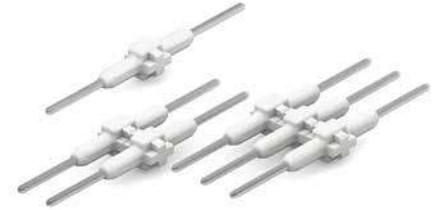
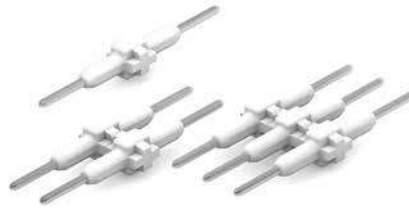
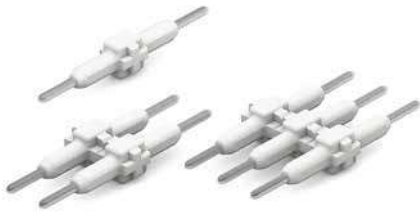
Material group	I
Insulation material	Polyamide 66 (PA 66)
Flammability class per UL94	V0
Limit temperature range	-60 ... 105 °C
Contact material	Copper alloy
Contact Plating	Silver-plated

Board-to-Board Link for SMD PCB Terminal Blocks; 0.5 mm² Pin Spacing: 3 mm ▶ 2059 Series

Pin length: 15.3 mm

Pin length: 17.5 mm

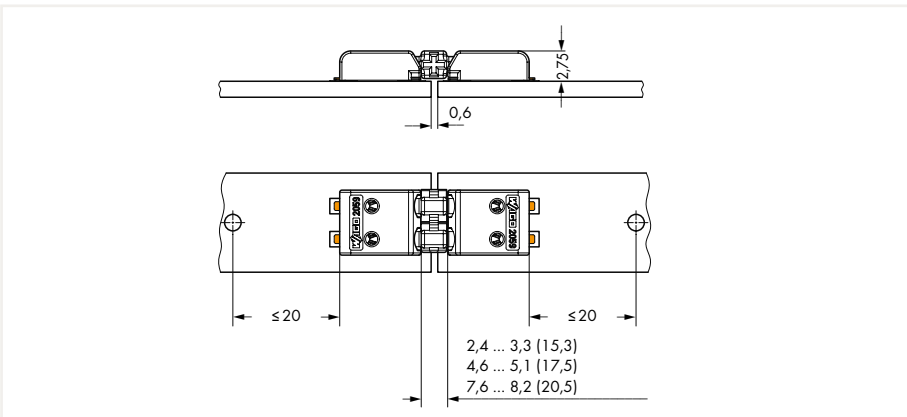
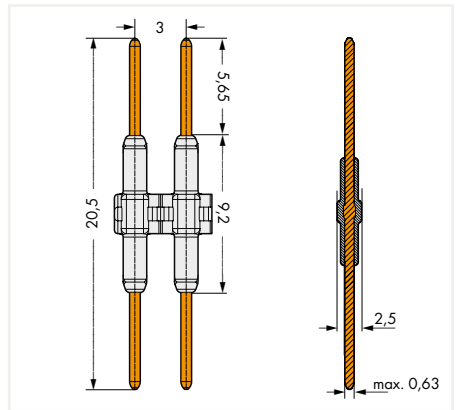
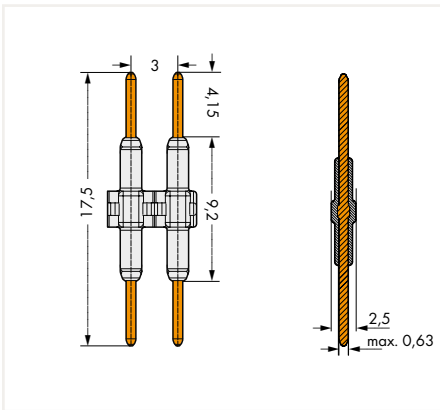
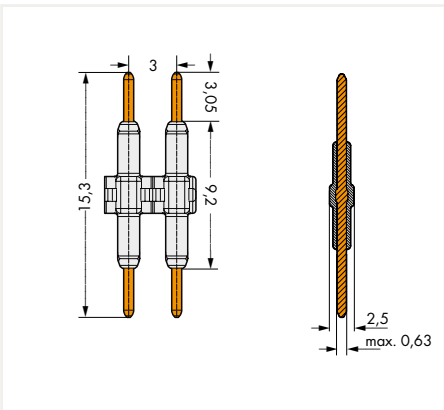
Pin length: 20.5 mm



Pole No.	Item No.	PU
1	2059-901	1500
2	2059-902	500
3	2059-903	375
4	2059-904	250

Pole No.	Item No.	PU
1	2059-901/018-000	1500
2	2059-902/018-000	500
3	2059-903/018-000	375
4	2059-904/018-000	250

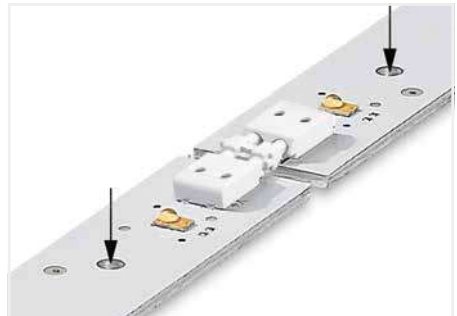
Pole No.	Item No.	PU
1	2059-901/021-000	1500
2	2059-902/021-000	500
3	2059-903/021-000	375
4	2059-904/021-000	250



Inserting a board-to-board link into the terminal block.



Assembly: Place PCBs on a flat surface and connect terminal blocks on adjoining PCBs via board-to-board link. Disassembly: Pull PCBs apart (max. 10 mating cycles).



The PCBs must be secured.

PU = Packaging Unit; SPU = Subpackaging Unit; Dimensions in mm

Board-to-Board Links for SMD PCB Terminal Blocks with Push-Buttons; 0.75 mm² 2060 Series



- Board-to-board links simplify in-line assembly of LED modules
- Easy push-in connection and disconnection without push-button actuation

3

Electrical Data						
	Pin Spacing: 4 mm (0.157 in)			Pin Spacing: 8 mm (0.314 in)		
Ratings per	IEC/EN 60664-1					
Overvoltage category	III	III	II	III	III	II
Pollution degree	3	2	2	3	2	2
Nominal voltage	63 V	160 V	320 V	400 V	630 V	1000 V
Rated surge voltage	2.5 kV	2.5 kV	2.5 kV	6 kV	6 kV	6 kV
Rated current	9 A	9 A	9 A	9 A	9 A	9 A
Approvals per	UL 1977			UL 1977		
Rated voltage (UL)	250 V			600 V		
Rated current (UL)	9 A			9 A		

Material Data	
Material group	I
Insulation material	Polyamide 66 (PA 66)
Flammability class per UL94	V0
Limit temperature range	-60 ... 105 °C
Contact material	Copper alloy
Contact plating	Silver-plated

Board-to-Board Links for SMD PCB Terminal Blocks with Push-Buttons; 0.75 mm² 2060 Series

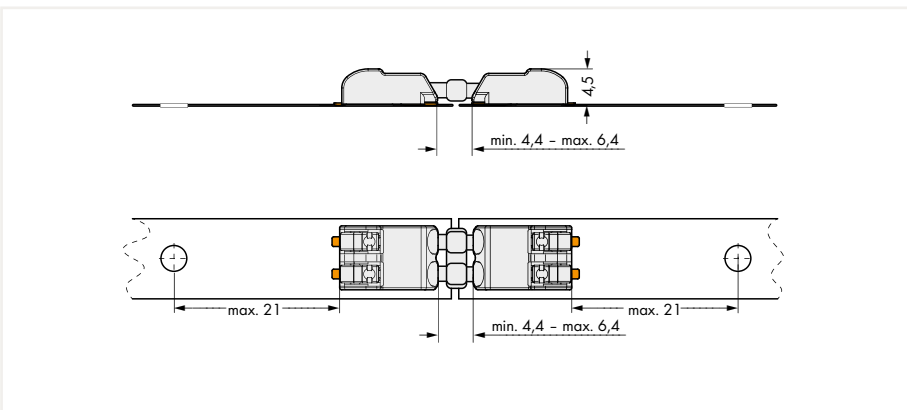
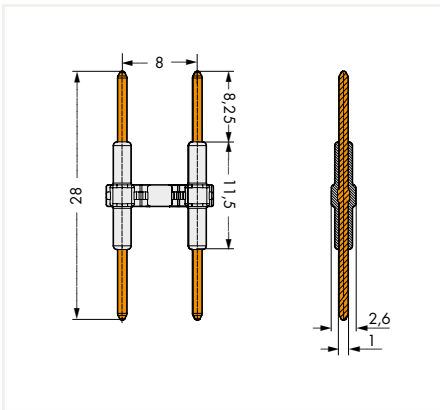
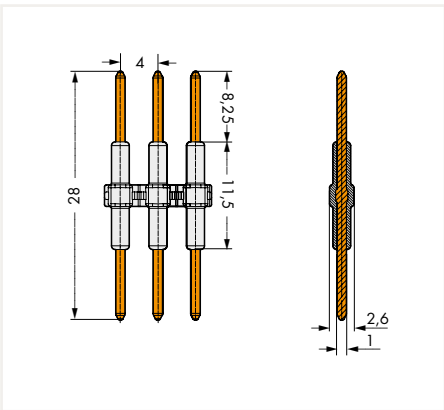
Pin Spacing: 4 mm (0.157 in)

Pin Spacing: 8 mm (0.314 in)



Pole No.	Item No.	PU
1	2060-951/028-000	1500
2	2060-952/028-000	500
3	2060-953/028-000	375
4	2060-954/028-000	250

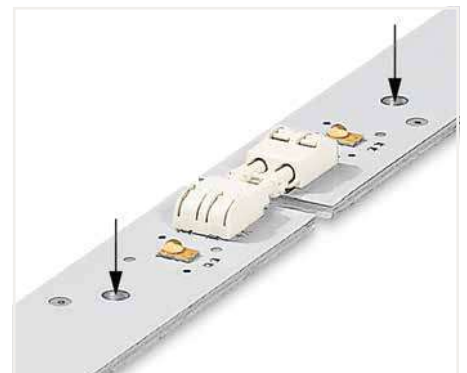
Pole No.	Item No.	PU
2	2060-962/028-000	375



Inserting a board-to-board link into the terminal block.



Assembly: Place PCBs on a flat surface and connect terminal blocks on adjoining PCBs via board-to-board link. Disassembly: Pull PCBs apart (max. 10 mating cycles).

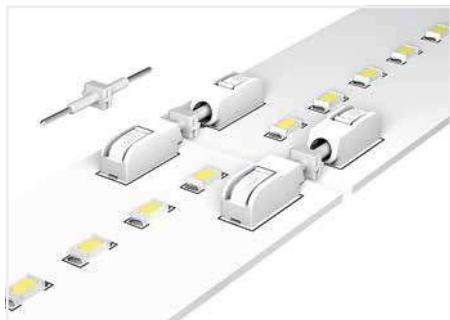


The PCBs must be secured.

PU = Packaging Unit; SPU = Subpackaging Unit; Dimensions in mm

Board-to-Board Link for SMD PCB Terminal Blocks with Push-Buttons

1.5 mm² ▶ Pin Spacing: 6 mm / 0.236 inch ▶ 2061 Series



- Board-to-board links simplify LED module assembly
- Easy push-in connection and disconnection without push-button actuation

3

Electrical Data for Pin Spacing 6 mm / 0.236 inch

Ratings per	IEC/EN 60664-1		
Overvoltage category	III	III	II
Pollution degree	3	2	2
Nominal voltage	250 V	320 V	630 V
Rated surge voltage	4 kV	4 kV	4 kV
Rated current	9 A	9 A	9 A

Material Data

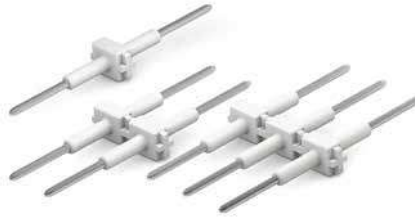
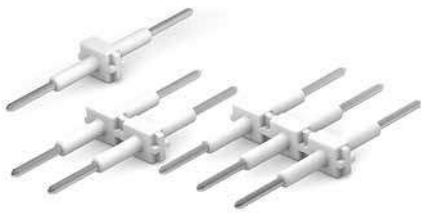
Material group	I
Insulation material	Polyamide 66 (PA 66)
Flammability class per UL94	V0
Limit temperature range	-60 ... 105 °C
Contact material	Copper alloy
Contact Plating	Silver-plated

Board-to-Board Link for SMD PCB Terminal Blocks with Push-Buttons

1.5 mm² ▶ Pin Spacing: 6 mm ▶ 2061 Series

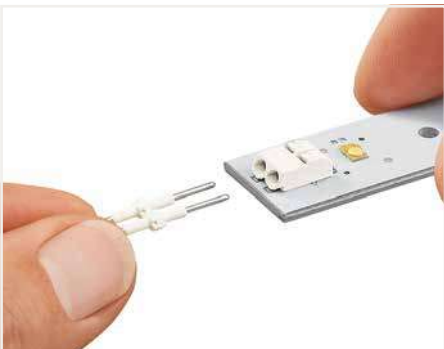
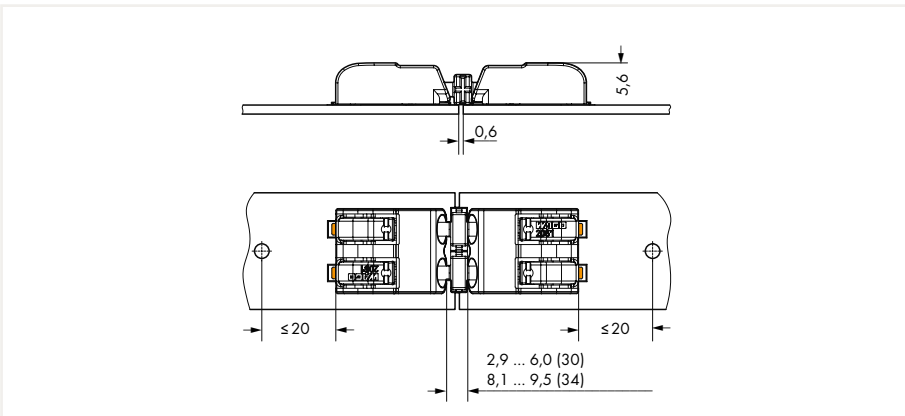
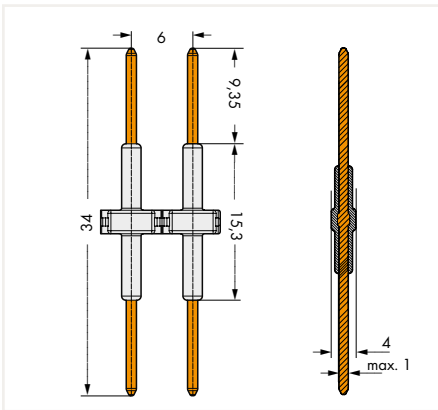
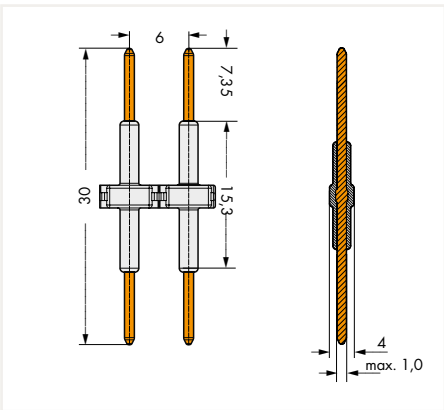
Pin length: 30 mm

Pin length: 34 mm



Pole No.	Item No.	PU
1	2061-901	700
2	2061-902	300
3	2061-903	200
4	2061-904	100

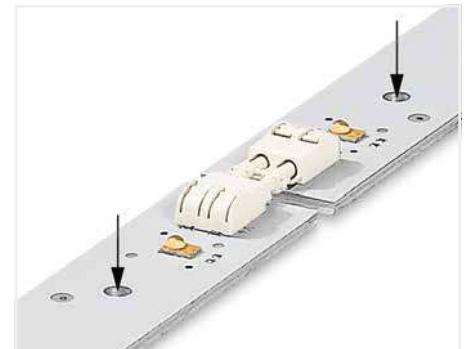
Pole No.	Item No.	PU
1	2061-901/034-000	700
2	2061-902/034-000	300
3	2061-903/034-000	200
4	2061-904/034-000	100



Inserting a board-to-board link into the terminal block.



Assembly: Place PCBs on a flat surface and connect terminal blocks on adjoining PCBs via board-to-board link. Disassembly: Pull PCBs apart (max. 10 mating cycles).



The PCBs must be secured.

PU = Packaging Unit; SPU = Subpackaging Unit; Dimensions in mm

Board-to-Board Link for SMD PCB terminal blocks ▶ 2065 Series

3



- Board-to-board links simplify LED module assembly
- Space-saving connection of PCBs

Electrical Data

Ratings per	IEC/EN 60664-1		
Overvoltage category	III	III	II
Pollution degree	3	2	2
Rated voltage	250 V	320 V	630 V
Rated surge voltage	4 kV	4 kV	4 kV
Rated Current	9 A	9 A	9 A

Material Data

Contact material	Copper alloy
Contact Plating	Silver-plated

Environmental Requirements

Limit temperature range	-60 ... +120 °C
-------------------------	-----------------

The layout must meet the requirements of the insulation coordination standard EN/IEC 60664-1 and applicable end product standards.

NOTE: Terminal block without insulation housing! Protection against accidental contact must be provided at voltages higher than low voltages (e.g., SELV/PELV) for the relevant application.

Board-to-Board Link for SMD PCB terminal blocks ▶ 2065 Series

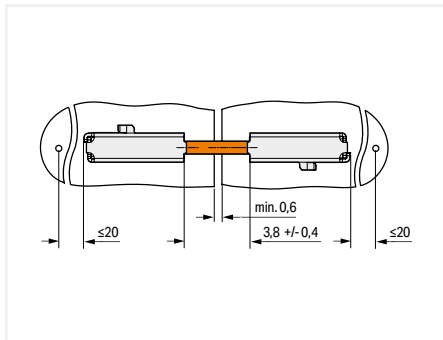
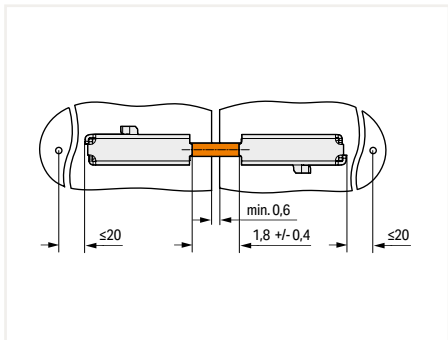
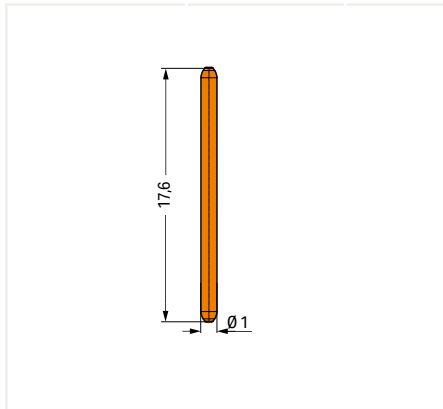
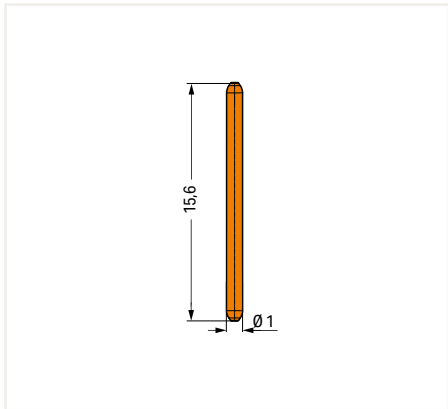
Pin length: 15.6 mm

Pin length: 17.6 mm



Item No.	PU
2065-131	1500

Item No.	PU
2065-133	1500



Inserting board-to-board links into the terminal blocks.



Assembly: Place PCBs on a flat surface and connect terminal blocks on adjoining PCBs via board-to-board link. Disassembly: Support disconnection by opening the terminals with operating tool (max. 5 mating cycles).



The PCBs must be secured.

PU = Packaging Unit; SPU = Subpackaging Unit; Dimensions in mm

Operating Tools

3



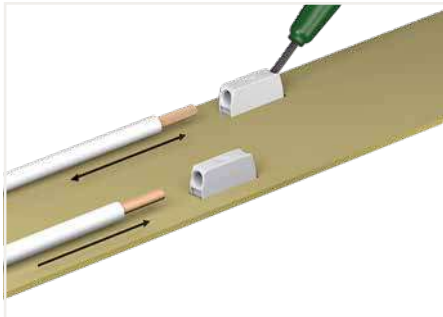
Operating tool		
Series	Item No.	PU
2059	206-859	5
2060	206-860	5
2061	206-861	5

Operating tool		
Series	Item No.	PU
2070	2070-400	1

Operating tool; insulated		
Series	Item No.	PU (SPU)
2059	2059-189	600 (50)
2060	2060-189	300 (50)
2061	2061-189	300 (50)



Inserting/removing fine-stranded conductors by lightly pressing on a push-button.

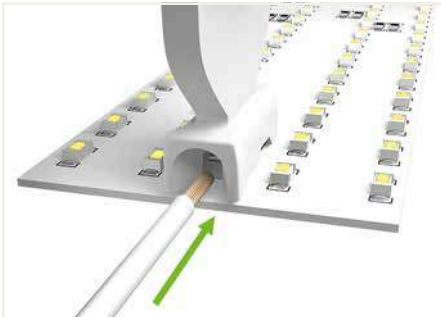


Insert fine-stranded conductors – and remove conductors – via operating tool. Solid conductors can

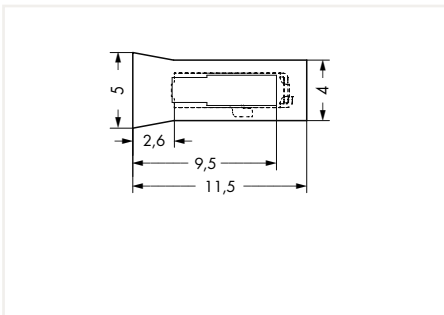
Operating Tools



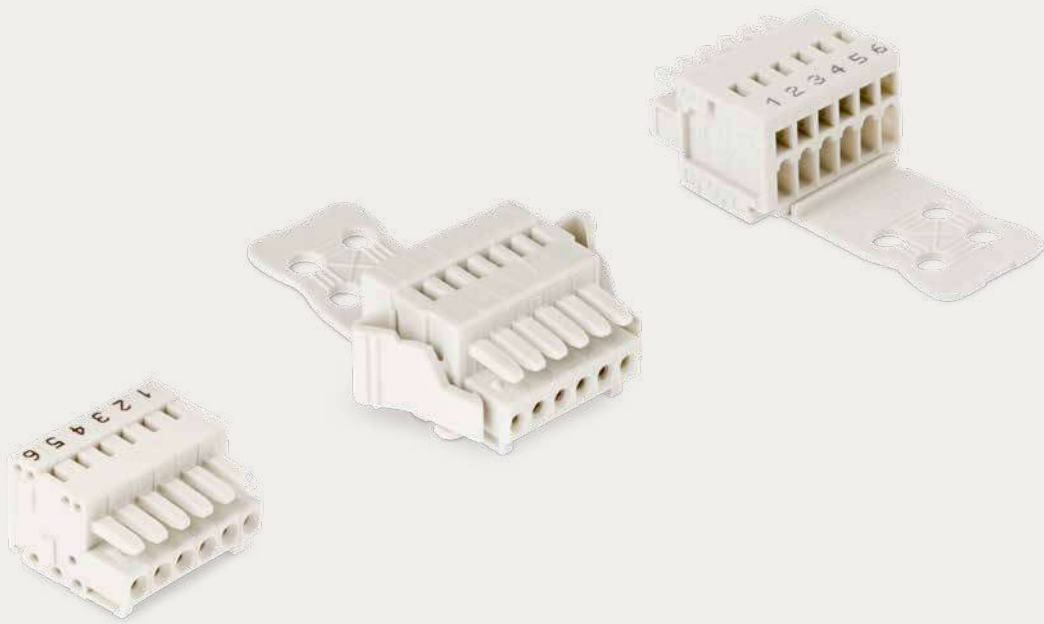
Operating tool; insulated		
Series	Item No.	PU (SPU)
2065	2065-189	600 (50)



The operating tool's funneled conductor entry accurately guides the conductor into the terminal block







Required area for operating tool



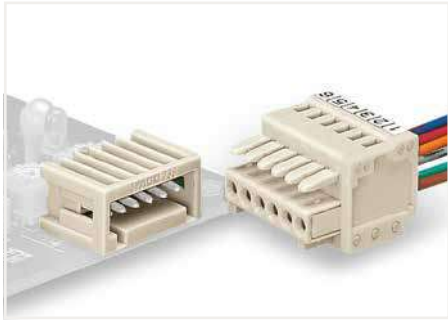
WAGO *MULTI CONNECTION SYSTEM* **MICRO**

WAGO MULTI CONNECTION SYSTEM MICRO**Pin Spacing: 2.5 mm / Nominal Cross-Section: 0.5 mm²**

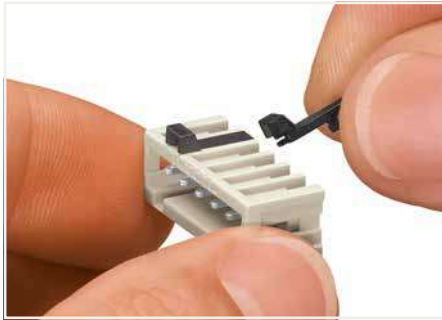
	Page
	340
	342
	344
	348
	352
	861

MCS MICRO

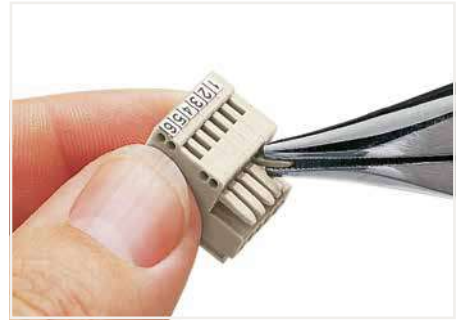
Description and Installation



Male headers and female connectors are 100 % protected against mismatching. Only mating halves with the same pole number can be connected.



Coding a male header – fitting coding key(s).



Coding a female connector – removing coding finger(s).

4



Wire-to-wire connection of single conductors



Wire-to-wire connection of multi-core cables
Plug-in connection using strain relief plates and locking levers



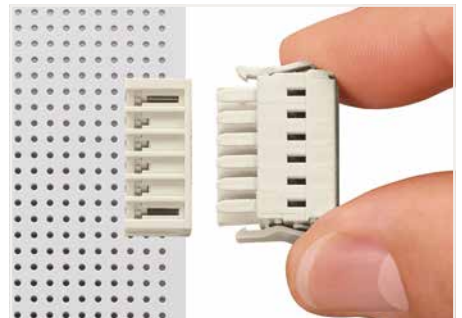
THR male headers for reflow soldering in SMT applications



Tape-and-reel packaging for THR male headers



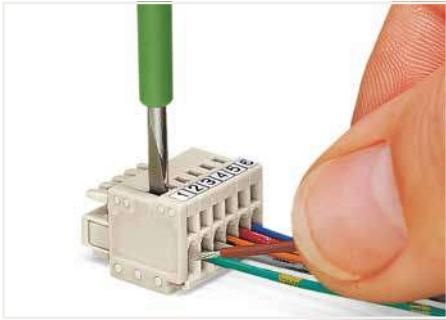
Locking levers prevent accidental disconnection.



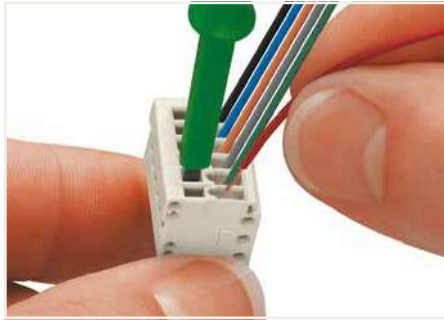
Locking levers prevent accidental disconnection.

MCS MICRO

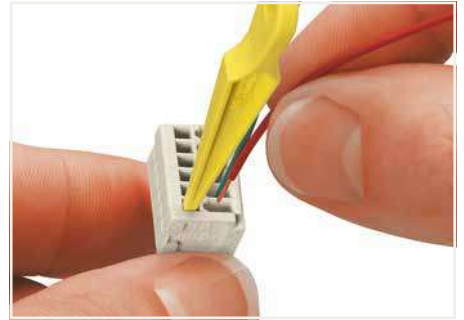
Description and Installation



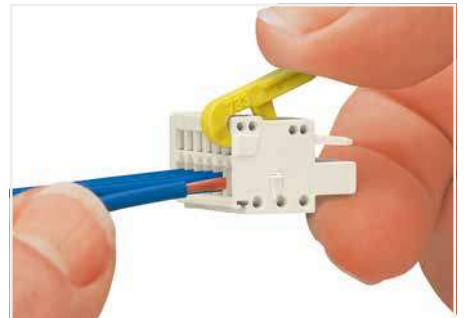
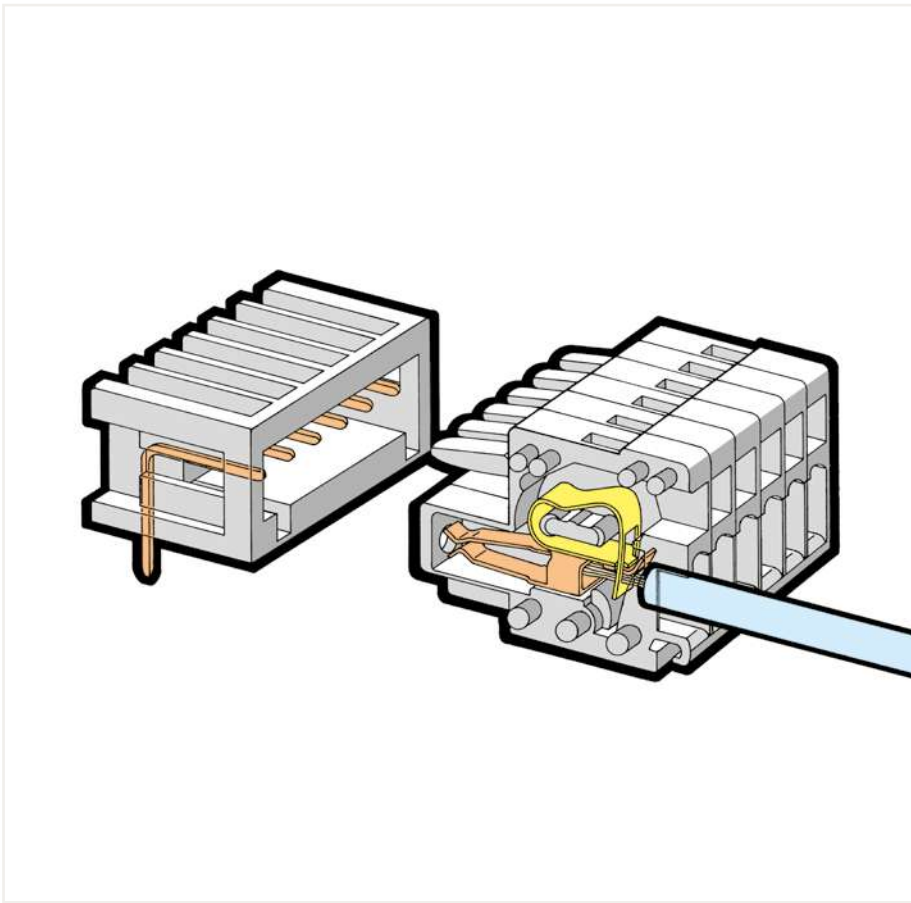
Inserting a conductor via (2.5 x 0.4) mm screwdriver. Operation is performed perpendicular to conductor entry.



Inserting a conductor via screwdriver (233-335) – CAGE CLAMP® actuation parallel to conductor entry.



Inserting a conductor via 233-331 Operating Tool. Operation is performed parallel to conductor entry.



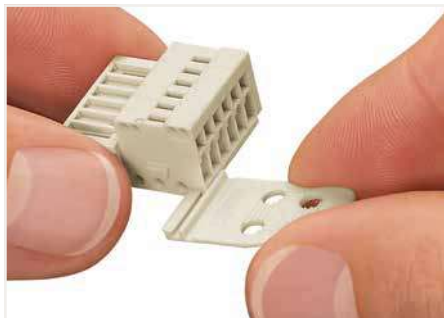
Marking via self-adhesive strips or factory direct marking



Inserting a conductor via 210-251 Operating Tool.



Marking via self-adhesive strips or factory direct marking



Strain relief plates for factory or in-the-field assembly.

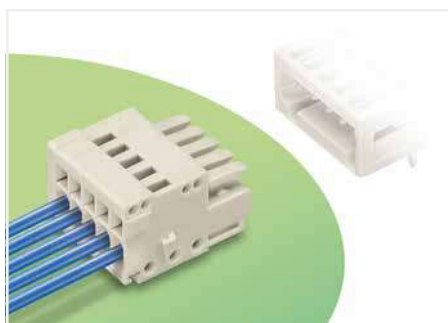


Testing via 1 mm Ø test pin (735-500) – touch contact.

4

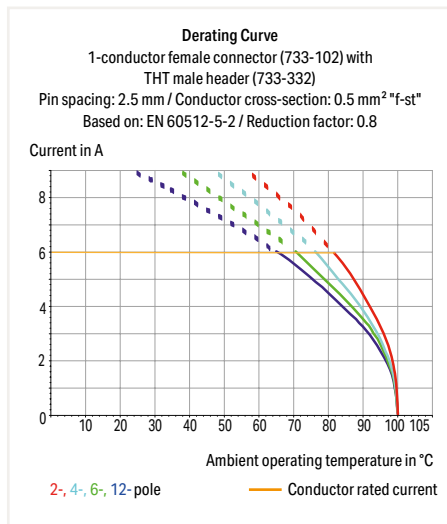
1-conductor female plug ▶ MCS MICRO ▶ 733 Series

Pin spacing: 2.5 mm / 0.098 inch ▶ Actuation type: Operating tool ▶ CAGE CLAMP® ▶ Color: light gray



- Universal connection for all conductor types
- Easy cable pre-assembly and on-unit wiring via vertical and horizontal CAGE CLAMP® actuation
- Strain relief plates for factory and field assembly
- 100% protected against mismatching
- Coding option available

4



Electrical Data

Ratings per	IEC/EN 60664-1		
Overvoltage category	III	III	II
Pollution degree	3	2	2
Rated voltage	100 V	160 V	320 V
Rated impulse voltage	2.5 kV	2.5 kV	2.5 kV
Rated current	6 A	6 A	6 A
Approbations per	UL 1059		
Use group	B	C	D
Rated voltage	150 V	-	-
Rated current	4 A	-	-
Approbations per	CSA		
Use group	B	C	D
Rated voltage	150 V	-	-
Rated current	4 A	-	-

Connection Data

Connection technology	CAGE CLAMP®
Strip length	5 ... 6 mm / 0.2 ... 0.24 inch
Solid conductor	0.08 ... 0.5 mm ² / 28 ... 20 AWG
Fine-stranded conductor	0.08 ... 0.5 mm ² / 28 ... 20 AWG
Fine-stranded conductor; with insulated ferrule	0.25 ... 0.34 mm ²
Fine-stranded conductor; with uninsulated ferrule	0.25 ... 0.34 mm ²

Material Data

Material group	I
Insulation material	Polyamide (PA66)
Flammability class per UL94	V0
Clamping spring material	Chrome nickel spring steel (CrNi)
Contact material	Copper alloy
Contact plating	Tin-plated

Environmental Requirements

Limit temperature range	-60 ... +100 °C
-------------------------	-----------------

The MCS – MULTI CONNECTION SYSTEM includes connectors without breaking capacity in accordance with DIN EN 61984. When used as intended, these connectors must not be connected/disconnected when live or under load. The circuit design should ensure header pins, which can be touched, are not live when unmated.

Ferrule	Page 879
Marking	Page 864
Strain relief	Page 353
Test and measurement	Page 886
Tool	Page 352, 870
Direct marking	Page 354
See technical section for further information	
For approvals and corresponding ratings, visit www.wago.com	

1-conductor female plug ▶ MCS MICRO ▶ 733 Series

Pin spacing: 2.5 mm / 0.098 inch ▶ Actuation type: Operating tool ▶ CAGE CLAMP® ▶ Color: light gray

Locking of plug-in connection: Locking lever

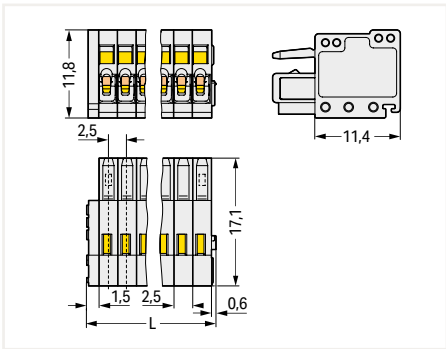


733-106

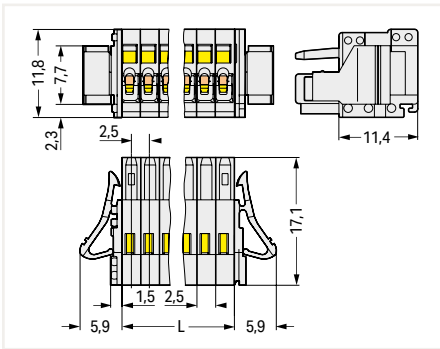
733-106/037-000

Pole No.	Item No.	PU
2	733-102	200
3	733-103	200
4	733-104	200
5	733-105	100
6	733-106	100
7	733-107	100
8	733-108	100
9	733-109	100
10	733-110	100
12	733-112	50

Pole No.	Item No.	PU
2	733-102/037-000	100
3	733-103/037-000	100
4	733-104/037-000	100
5	733-105/037-000	100
6	733-106/037-000	100
7	733-107/037-000	50
8	733-108/037-000	50
9	733-109/037-000	50
10	733-110/037-000	50
12	733-112/037-000	50



L = (pole no. x pin spacing) + 2.1 mm



L = pole no. x pin spacing

PU = Packaging Unit; SPU = Subpackaging Unit; Dimensions in mm

Other versions (or variants) can be requested from WAGO Sales or configured at <https://configurator.wago.com/>.

- Other pole numbers
- Gold-plated or partially gold-plated contact surfaces

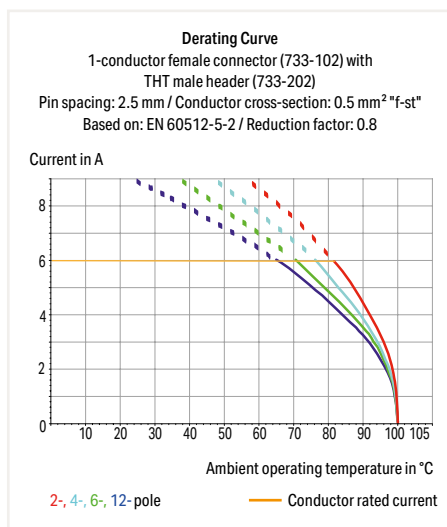
1-conductor male connector ▶ MCS MICRO ▶ 733 Series

Pin spacing: 2.5 mm / 0.098 inch ▶ Actuation type: Operating tool ▶ CAGE CLAMP® ▶ Color: light gray



- Universal connection for all conductor types
- Easy cable pre-assembly and on-unit wiring via vertical and horizontal CAGE CLAMP® actuation
- For wire-to-wire connections
- 100% protected against mismatching
- Coding option available

4

**Electrical Data**

Ratings per		IEC/EN 60664-1		
Overvoltage category		III	III	II
Pollution degree		3	2	2
Rated voltage		100 V	160 V	320 V
Rated impulse voltage		2.5 kV	2.5 kV	2.5 kV
Rated current		6 A	6 A	6 A
Approbations per		UL 1059		
Use group		B	C	D
Rated voltage		150 V	-	-
Rated current		4 A	-	-
Approbations per		CSA		
Use group		B	C	D
Rated voltage		150 V	-	-
Rated current		4 A	-	-

Connection Data

Connection technology	CAGE CLAMP®
Strip length	5 ... 6 mm / 0.2 ... 0.24 inch
Solid conductor	0.08 ... 0.5 mm ² / 28 ... 20 AWG
Fine-stranded conductor	0.08 ... 0.5 mm ² / 28 ... 20 AWG
Fine-stranded conductor; with insulated ferrule	0.25 ... 0.34 mm ²
Fine-stranded conductor; with uninsulated ferrule	0.25 ... 0.34 mm ²

Material Data

Material group	I
Insulation material	Polyamide (PA66)
Flammability class per UL94	V0
Clamping spring material	Chrome nickel spring steel (CrNi)
Contact material	Electrolytic copper (E _{cu})
Contact plating	Tin-plated

Environmental Requirements

Limit temperature range	-60 ... +100 °C
-------------------------	-----------------

The MCS – MULTI CONNECTION SYSTEM includes connectors without breaking capacity in accordance with DIN EN 61984. When used as intended, these connectors must not be connected/disconnected when live or under load. The circuit design should ensure header pins, which can be touched, are not live when unmated.

Coding	Page 352
Ferrule	Page 879
Strain relief	Page 353
Test and measurement	Page 886
Tool	Page 352, 870
Direct marking	Page 354
See technical section for further information	
For approvals and corresponding ratings, visit www.wago.com	

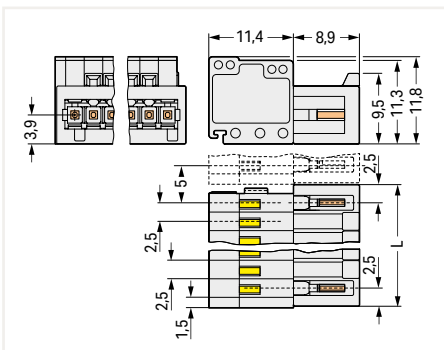
1-conductor male connector ▶ MCS MICRO ▶ 733 Series

Pin spacing: 2.5 mm / 0.098 inch ▶ Actuation type: Operating tool ▶ CAGE CLAMP® ▶ Color: light gray



733-206

Pole No.	Item No.	PU
2	733-202	200
3	733-203	200
4	733-204	200
5	733-205	100
6	733-206	100
7	733-207	100
8	733-208	100
9	733-209	100
10	733-210	100
12	733-212	50



L = (pole no. + 1) x pin spacing

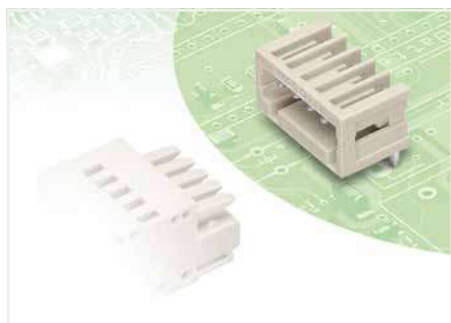
PU = Packaging Unit; SPU = Subpackaging Unit; Dimensions in mm

Other versions (or variants) can be requested from WAGO Sales or configured at <https://configurator.wago.com/>.

- Other pole numbers
- Gold-plated or partially gold-plated contact surfaces

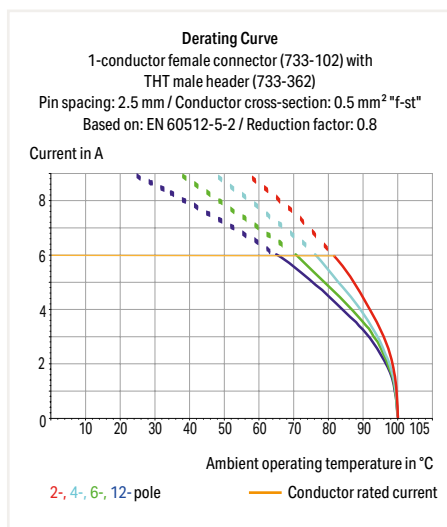
THT male header ▶ MCS MICRO ▶ 733 Series

Pin spacing: 2.5 mm / 0.098 inch ▶ Color: light gray



- 100% protected against mismatching; only mating halves with the same pole number can be connected
- Coding option available

4



Electrical Data

Ratings per	IEC/EN 60664-1		
Overvoltage category	III	III	II
Pollution degree	3	2	2
Rated voltage	80 V	160 V	320 V
Rated impulse voltage	2.5 kV	2.5 kV	2.5 kV
Rated current	6 A	6 A	6 A
Approbations per	UL 1059		
Use group	B	C	D
Rated voltage	150 V	-	-
Rated current	4 A	-	-
Approbations per	CSA		
Use group	B	C	D
Rated voltage	150 V	-	-
Rated current	4 A	-	-

Material Data

Material group	I
Insulation material	Polyamide (PA66)
Flammability class per UL94	V0
Contact material	Electrolytic copper (E _{cu})
Contact plating	Tin-plated

Mechanical Data

Solder pin arrangement	Over the entire male connector (in-line)
Solder pin dimensions	0.8 x 0.8 mm
Drilled hole diameter with tolerance	1.1 (+0.1) mm

Environmental Requirements

Limit temperature range	-60 ... +100 °C
-------------------------	-----------------

The MCS – MULTI CONNECTION SYSTEM includes connectors without breaking capacity in accordance with DIN EN 61984. When used as intended, these connectors must not be connected/disconnected when live or under load. The circuit design should ensure header pins, which can be touched, are not live when unmated.

Coding Page 352

See technical section for further information

For approvals and corresponding ratings, visit www.wago.com

THT male header ▶ MCS MICRO ▶ 733 Series

Pin spacing: 2.5 mm / 0.098 inch ▶ Color: light gray

Mating direction to the PCB: 0° ▶ Solder pin length: 3.7 mm

Mating direction to the PCB: 90° ▶ Solder pin length: 4.6 mm

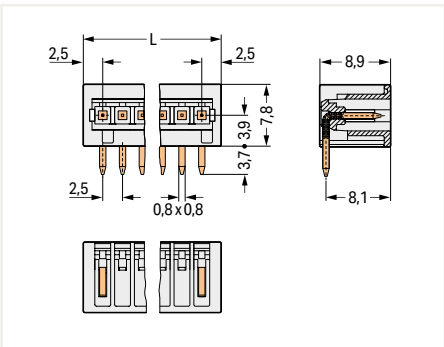


733-366

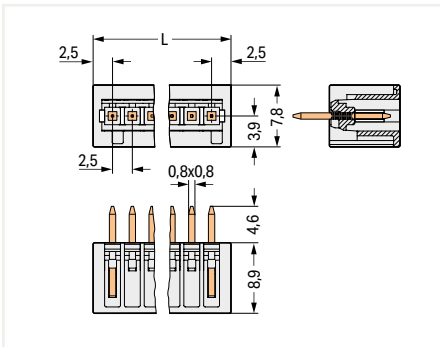
733-336

Pole No.	Item No.	PU
2	733-362	200
3	733-363	200
4	733-364	200
5	733-365	200
6	733-366	200
7	733-367	200
8	733-368	200
9	733-369	200
12	733-372	100

Pole No.	Item No.	PU
2	733-332	200
3	733-333	200
4	733-334	200
5	733-335	200
6	733-336	200
7	733-337	200
8	733-338	200
9	733-339	200
10	733-340	200
12	733-342	100



L = (pole no. + 1) x pin spacing



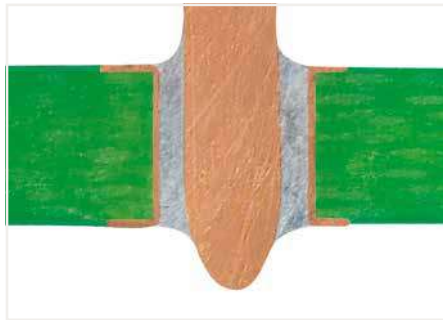
L = (pole no. + 1) x pin spacing

PU = Packaging Unit; SPU = Subpackaging Unit; Dimensions in mm

Other versions (or variants) can be requested from WAGO Sales or configured at <https://configurator.wago.com/>.

- Other pole numbers
- 3.8 mm pin projection for male headers with straight solder pins
- Gold-plated or partially gold-plated contact surfaces

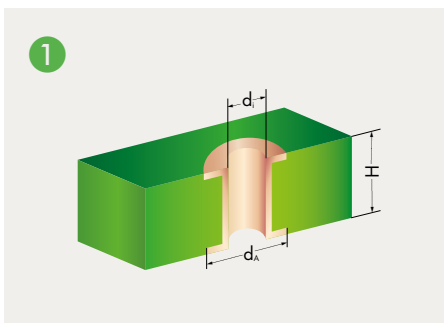
THR (Through-Hole Reflow) Soldering Process



By using high-temperature-resistant plastic and a streamlined pin design, WAGO's THR male headers and PCB terminal blocks meet requirements for SMT process capability while maintaining the necessary stability. Both headers and terminal blocks are simply pushed into the solder paste-filled PCB holes and then soldered along with the SMT components via reflow soldering. The previous wave soldering process is no longer necessary. The result is a perfect connection – both mechanically and electrically.

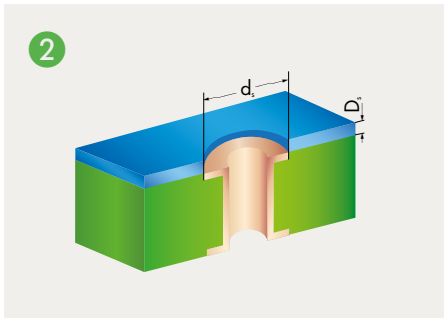
Terminal strips with an additional suction pad in tape-and-reel packaging per IEC 60286-3 WAGO recommends both a temperature profile that adheres to EN 61760-1 and the use of forced convection ovens for processing THR components.

4



Metal-plated PCB bore hole

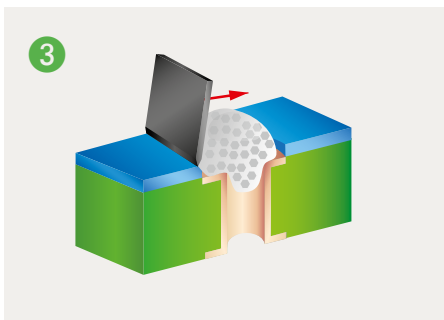
Series	d _i (mm)	d _A (mm)	H (mm)	d _s (mm)	D _s (μm)	d (mm)	L (mm)
218	1.1 ^{+0.1}	1.9	<2	1.8	150	0.9	2.8
231 (1 x 1 mm)	1.4 ^{+0.1}	2.5	<2	2.4	150	1.2	2.4
231 (1.2 x 1.2 mm)	1.7 ^{+0.1}	2.8	<2	2.7	150	1.5	2.4
236	1.1 ^{+0.1}	2.2	<2	2.1	150	0.9	3.6
250	1.1 ^{+0.1}	2.0	<2	1.9	150	0.9	2.4
713	1.0 ^{+0.1}	1.9	<2	1.8	150	1.0	2.4
733	1.2 ^{+0.1}	1.9	<2	1.8	150	1.0	2.4
734	1.4 ^{+0.1}	2.5	<2	2.4	150	1.2	2.4
2060	1.5 ^{+0.1}	2.4	<2	2.3	150	1.25	2.4
2061	1.5 ^{+0.1}	2.4	<2	2.3	150	1.25	1.5/2.4
2086	1.0 ^{+0.1}	2.0	<2	1.9	150	0.85	1.5/2.4



SMD positioning pattern

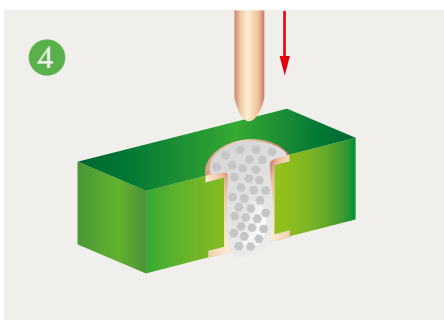
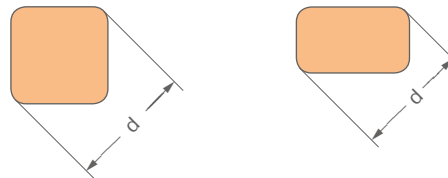
- d_i: Plated through-hole diameter
- d_A: Outer diameter of metal-plated PCB hole*
- H: PCB thickness
- d_s: Pattern hole diameter
- D_s: Pattern thickness
- d: Pin diagonal
- L: Pin length

* When laying out the metal-plated bore holes, the clearance and creepage distance requirements – as specified in the equipment standards – must be considered.

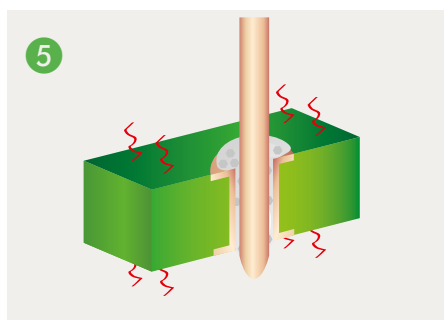


Solder paste application

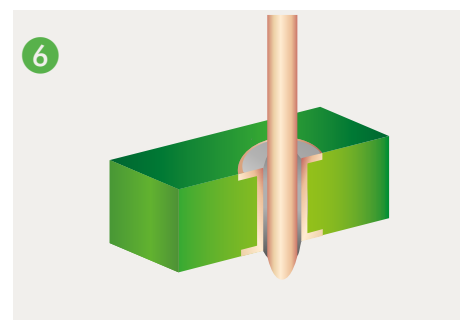
Solder pin form



Component assembly, automatic/by hand



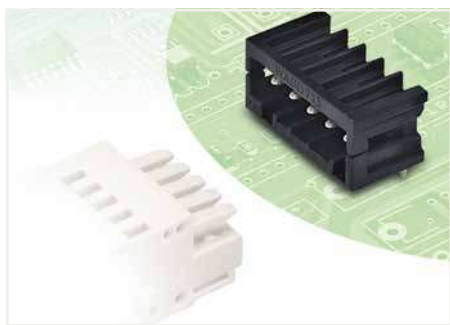
Reflow soldering process



THR soldering joint

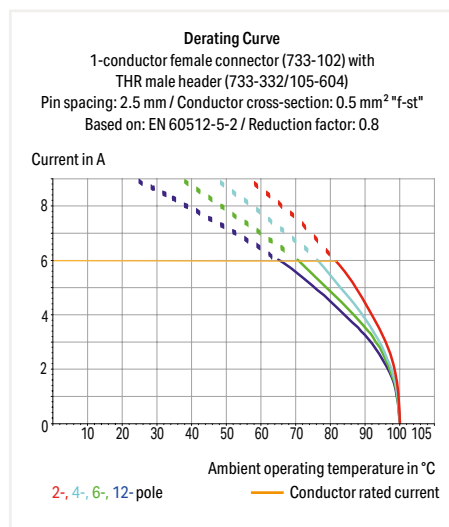
THR male header ▶ MCS MICRO ▶ 733 Series

Pin spacing: 2.5 mm / 0.098 inch ▶ Color: black



- THR male headers for reflow soldering in SMT applications
- Available in tape-and-reel packaging for automated pick-and-place PCB assembly
- Optimal thermal penetration via pin enclosure design provides lower soldering temperatures
- 100% protected against mismatching
- Coding option available

4



Electrical Data

Ratings per	IEC/EN 60664-1		
Overvoltage category	III	III	II
Pollution degree	3	2	2
Rated voltage	80 V	160 V	320 V
Rated impulse voltage	2.5 kV	2.5 kV	2.5 kV
Rated current	6 A	6 A	6 A
Approbations per	UL 1059		
Use group	B	C	D
Rated voltage	150 V	-	-
Rated current	4 A	-	-
Approbations per	CSA		
Use group	B	C	D
Rated voltage	150 V	-	-
Rated current	4 A	-	-

Material Data

Material group	I
Insulation material	Polyphthalamide (PPA GF)
Flammability class per UL94	V0
Contact material	Electrolytic copper (E _{cu})
Contact plating	Tin-plated

Mechanical Data

Solder pin arrangement	Over the entire male connector (in-line)
Solder pin length	2.4 mm
Solder pin dimensions	0.8 x 0.8 mm
Plated through-hole diameter (THR)	1.2 ^(+0.1) mm

Environmental Requirements

Limit temperature range	-60 ... +100 °C
-------------------------	-----------------

The MCS – MULTI CONNECTION SYSTEM includes connectors without breaking capacity in accordance with DIN EN 61984. When used as intended, these connectors must not be connected/disconnected when live or under load. The circuit design should ensure header pins, which can be touched, are not live when unmated.

THR soldering Page 346

Coding Page 352

See technical section for further information

For approvals and corresponding ratings, visit www.wago.com

THR male header ▶ MCS MICRO ▶ 733 Series

Pin spacing: 2.5 mm / 0.098 inch ▶ Color: black

Mating direction to the PCB: 0°

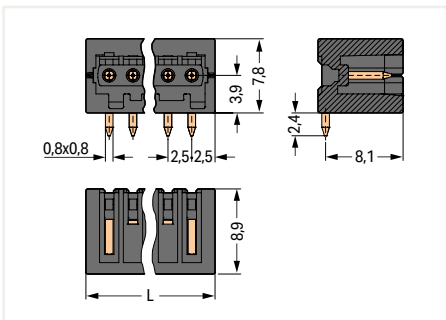
Suitable for automated assembly



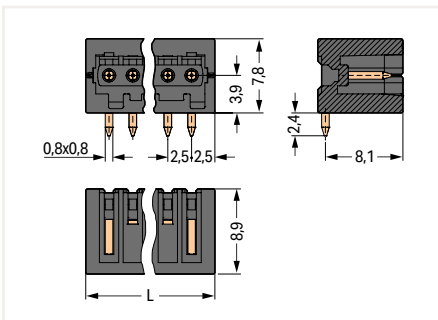
733-368/105-604

Pole No.	Item No.	PU
2	733-362/105-604	200
3	733-363/105-604	200
4	733-364/105-604	200
5	733-365/105-604	200
6	733-366/105-604	200
7	733-367/105-604	200
9	733-369/105-604	200
10	733-370/105-604	200
12	733-372/105-604	100

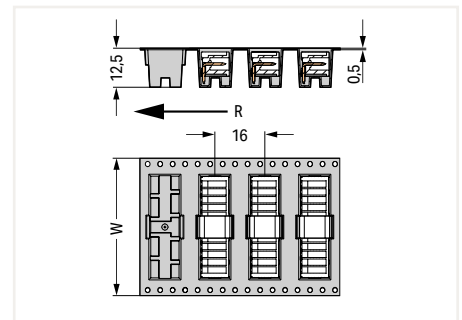
Pole No.	Item No.	PU
2	733-362/105-604/997-406	300
3	733-363/105-604/997-406	300
4	733-364/105-604/997-406	300
5	733-365/105-604/997-406	300
6	733-366/105-604/997-406	300
7	733-367/105-604/997-406	300
8	733-368/105-604/997-406	300
9	733-369/105-604/997-406	300
10	733-370/105-604/997-406	300
12	733-372/105-604/997-406	300



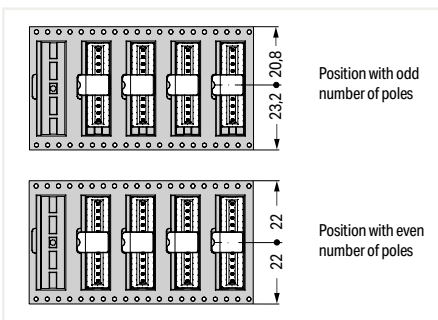
L = (pole no. + 1) x pin spacing



L = (pole no. + 1) x pin spacing



W = tape width
R = feed direction



Pin position in tape-and-reel packaging

PU = Packaging Unit; SPU = Subpackaging Unit; Dimensions in mm

Other versions (or variants) can be requested from WAGO Sales or configured at <https://configurator.wago.com/>.

- Other pole numbers
- Other solder pin lengths
- Gold-plated or partially gold-plated contact surfaces

THR male header ▶ MCS MICRO ▶ 733 Series

Pin spacing: 2.5 mm / 0.098 inch ▶ Color: black

Mating direction to the PCB: 90°

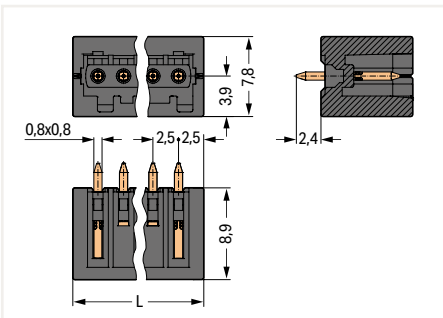
Suitable for automated assembly



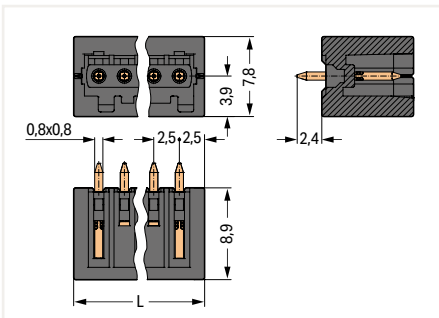
4

Pole No.	Item No.	PU
2	733-332/105-604	200
3	733-333/105-604	200
4	733-334/105-604	200
5	733-335/105-604	200
6	733-336/105-604	200
7	733-337/105-604	200
8	733-338/105-604	200
9	733-339/105-604	200
10	733-340/105-604	200
12	733-342/105-604	100

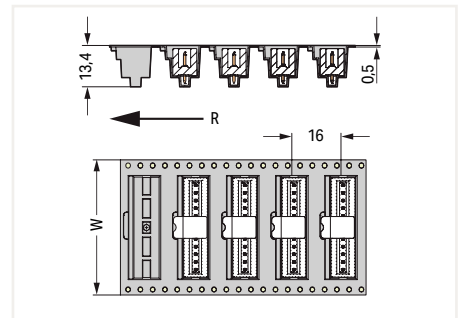
Pole No.	Item No.	PU
2	733-332/105-604/997-446	290
3	733-333/105-604/997-446	290
4	733-334/105-604/997-446	290
5	733-335/105-604/997-446	290
6	733-336/105-604/997-446	290
7	733-337/105-604/997-446	290
8	733-338/105-604/997-446	290
9	733-339/105-604/997-446	290
10	733-340/105-604/997-446	290
12	733-342/105-604/997-446	290



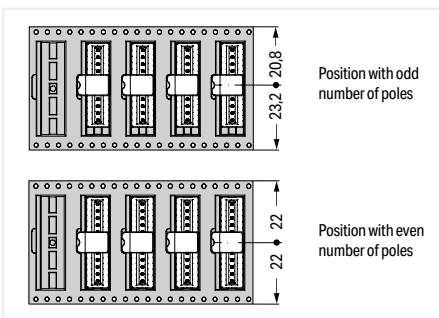
L = (pole no. + 1) x pin spacing



L = (pole no. + 1) x pin spacing



W = tape width
R = feed direction



Pin position in tape-and-reel packaging

PU = Packaging Unit; SPU = Subpackaging Unit; Dimensions in mm

Other versions (or variants) can be requested from WAGO Sales or configured at <https://configurator.wago.com/>.

- Other pole numbers
- Other solder pin lengths
- Gold-plated or partially gold-plated contact surfaces

Operating Tools and Coding Keys

MCS MICRO



4

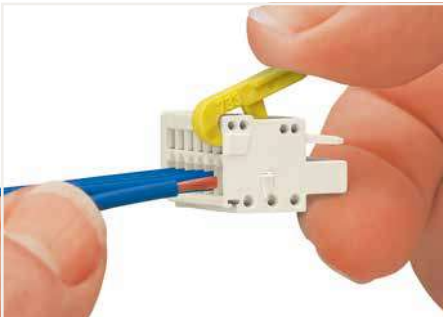
Operating lever for male and female connectors with CAGE CLAMP® connection; 2.5 mm pin spacing

Color	Item No.	PU (SPU)
○ natural	733-130	100 (25)
● yellow	733-191	100 (25)

Coding key for male headers

Color	Item No.	PU (SPU)
○ white	733-330	100
● lack*	733-331	100

*suitable for THR soldering

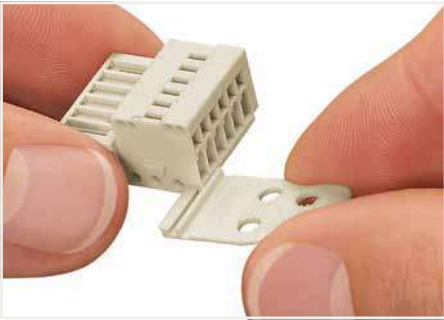


Inserting a conductor via operating lever.



Coding a male header via snap-on coding keys.

Strain Relief Plates MCS MICRO



Strain relief plate for in-the-field assembly



Strain relief plate; for factory assembly;
1-conductor female connector;
2.5 mm pin spacing; light gray; 2-pole,
with strain relief plate (733-102/032-000)

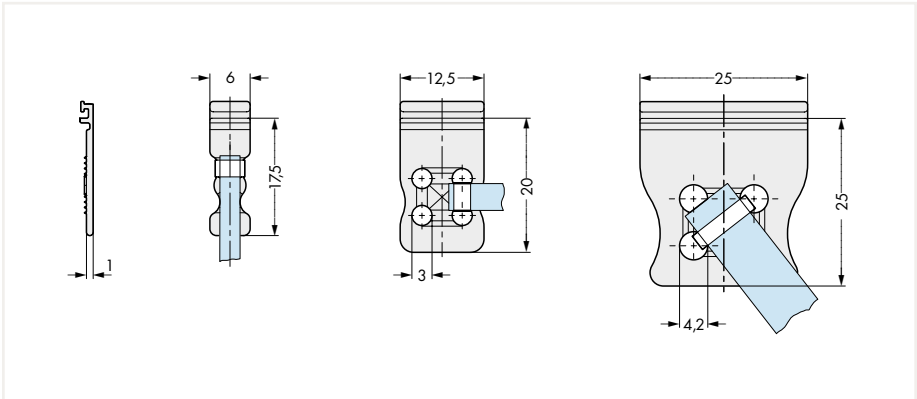


Strain relief plate; for factory assembly;
1-conductor female connector;
2.5 mm pin spacing; light gray; 12-pole;
with strain relief plate (733-112/034-000)

Strain relief plate, for in-the-field assembly; for male and female connectors with CAGE CLAMP® connection; light gray			
Pole No.	Width	Item No.	PU (SPU)
2 ... 4	6 mm	734-127	100 (25)
5 ... 9	12.5 mm	734-128	100 (25)
10 ... 12	25 mm	734-129	100 (25)

Strain relief plate; pre-assembled; for male and female connectors with CAGE CLAMP® connection; light gray			
Pole No.	Width	Item No. Suffix *	
2 ... 4	6 mm	.../032-000	
5 ... 9	12.5 mm	.../033-000	
10 ... 12	25 mm	.../034-000	

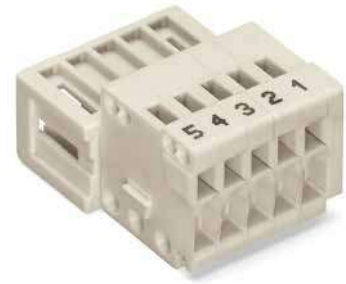
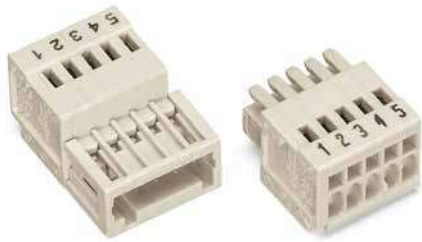
*An "item no. suffix," referring to the width of the strain relief plate, is added to the "basic item no." and determines the type of male or female connector.



The arrangement of the attachments for cable ties allows single conductors or multi-core cables to be secured in different ways. The width of the cable ties must correspond to the hole dimensions of the strain relief plates shown above.

Cable ties and binding tools are not offered by WAGO.

Direct Marking MCS MICRO



4

The pole numbers of male and female connectors for CAGE CLAMP® termination can be marked via factory direct marking.

Two standard marking orientations are available:

1. Marking perpendicular to conductor entry
2. Marking parallel to conductor entry

Other customized marking options are available upon request.

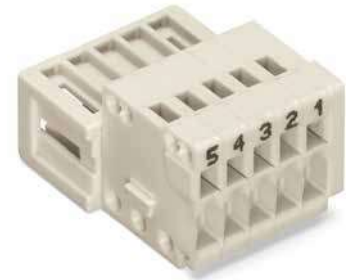
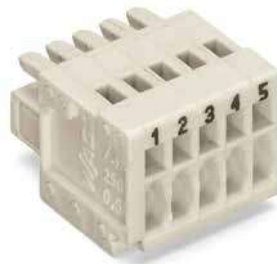
Direct marking is not suitable for MCS PCB male headers. WAGO recommends pole marking on the PCB for these headers.

Direct marking of female connectors, perpendicular to conductor entry, 1 ... pole no., item no. suffix.: /... - 047

Version	Item No. Example
1-cond. female connector, 5-pole, light gray	733-105/000-047
1-cond. female connector, with locking levers, 5-pole, light gray	733-105/037-047
1-cond. female connector, with strain relief plate, 5-pole, light gray	733-105/033-047
1-cond. female connector, with locking levers and strain relief plate, 5-pole, light gray	733-105/037-047/033-000

Direct marking of male connectors, perpendicular to conductor entry, pole no. ... 1, item no. suffix.: /... - 044

Version	Item No. Example
1-cond. male connector, 5-pole, light gray	733-205/000-044
1-cond. male connector, with strain relief plate, 5-pole, light gray	733-205/033-044



Direct marking of female connectors, parallel to conductor entry, 1 ... pole no., item no. suffix.: /... - 9037

Version	Item No. Example
1-cond. female connector, 5-pole, light gray	733-105/000-9037
1-cond. female connector, with locking levers, 5-pole, light gray	733-105/037-9037
1-cond. female connector, with strain relief plate, 5-pole, light gray	733-105/033-9037
1-cond. female connector, with locking levers and strain relief plate, 5-pole, light gray	733-105/037-9037/033-000

Direct marking of male connectors, parallel to conductor entry, pole no. ... 1, item no. suffix.: /... - 9034








Version	Item No. Example
1-cond. male connector, 5-pole, light gray	733-205/000-9034
1-cond. male connector, with strain relief plate, 5-pole, light gray	733-205/033-9034



WAGO MULTI CONNECTION SYSTEM MINI

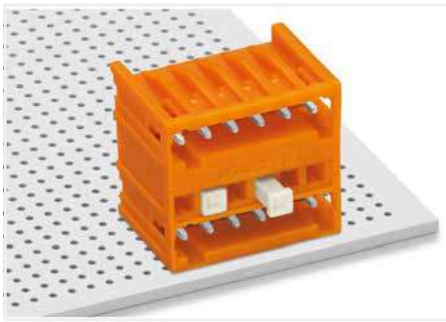
WAGO MULTI CONNECTION SYSTEM MINI

Pin Spacing: 3.5 mm, 3.81 mm ▶ 1.5 mm²

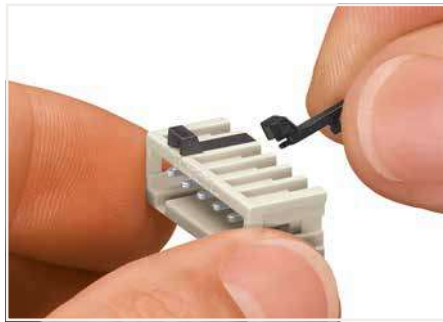
		Pin Spacing	Page
	MCS MINI		
	1-Conductor Female Connectors ▶ Actuation type: Operating tool ▶ CAGE CLAMP®	3.5 mm 3.81 mm	360 390
	MCS MINI		
	1-Conductor Female Connectors ▶ Actuation type: Push-button ▶ CAGE CLAMP®	3.5 mm 3.81 mm	364 394
	MCS MINI		
	1-Conductor Male Connectors ▶ Actuation type: Operating tool ▶ CAGE CLAMP®	3.5 mm 3.81 mm	368 398
	MCS MINI		
	2-Conductor Combi Strips ▶ Actuation type: Operating tool ▶ CAGE CLAMP®	3.5 mm	372
	MCS MINI		
	THT Female Headers	3.5 mm 3.81 mm	376 402
	MCS MINI		
	THT Male Headers	3.5 mm	380
		3.81 mm	406
	THR Male Headers	3.5 mm	386
		3.81 mm	410
	MCS MINI Accessories		414
	Accessories and Tools		861

MCS MINI

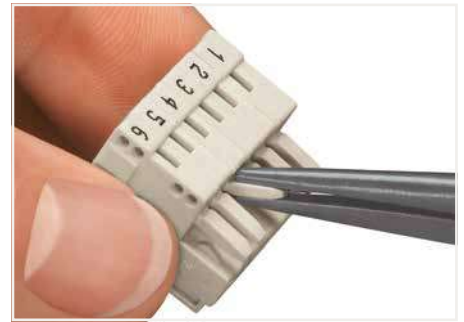
Description and Installation



Coding a THT double-deck male header – lower level.



Coding a male header – fitting coding key(s).

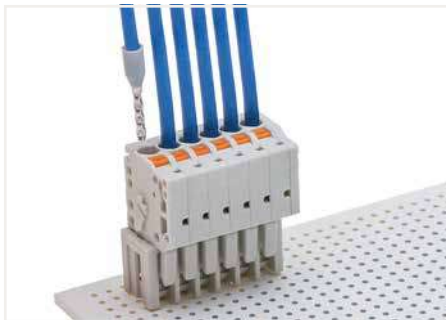


Coding a female connector – removing coding finger(s).

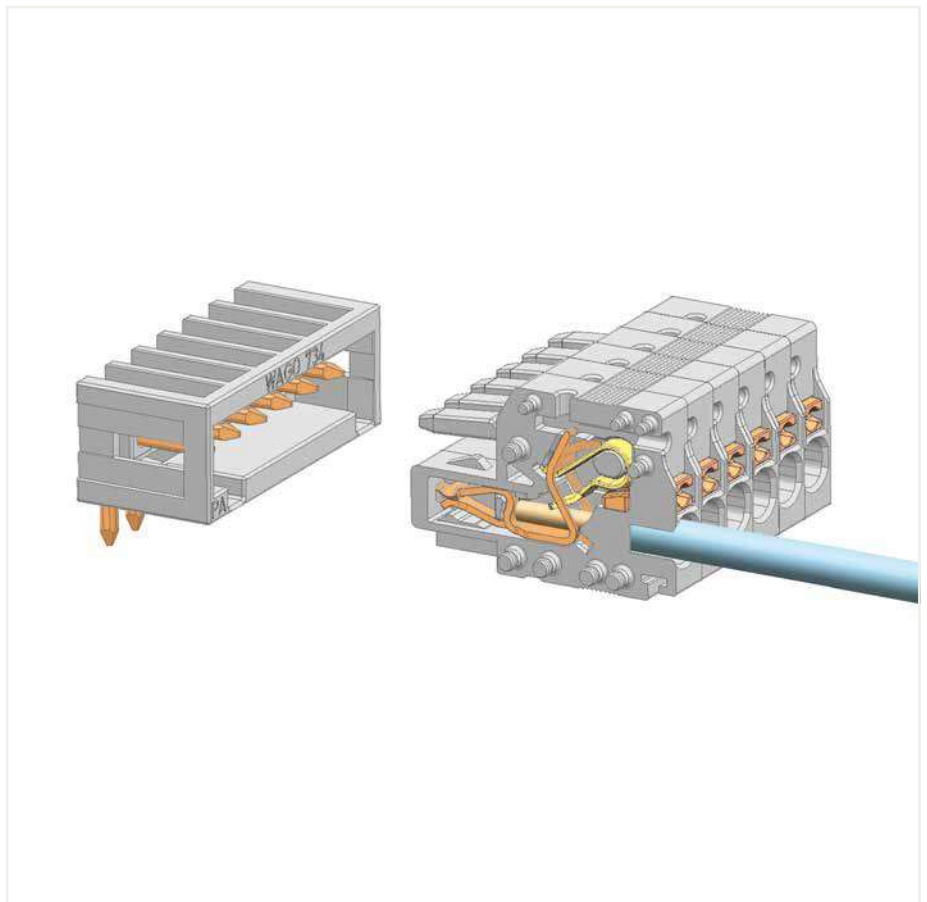
5



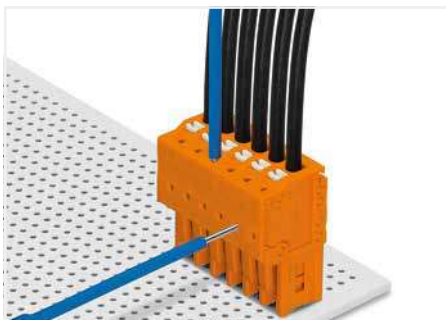
Inserting a fine stranded conductor into Push-in CAGE CLAMP® unit via push-button.



Solid and ferruled conductors are terminated by simply pushing them into unit.



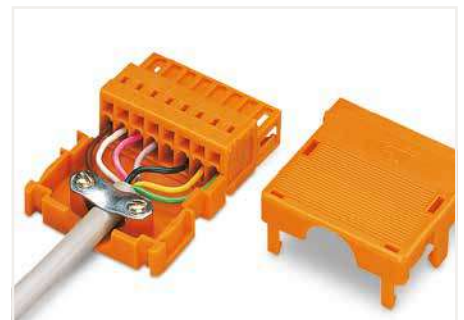
Pin spacing: 3.5 mm and 3.81 mm, Push-in CAGE CLAMP®



Testing via 1 mm Ø test pin (735-500). Push-in CAGE CLAMP® termination – parallel to conductor entry



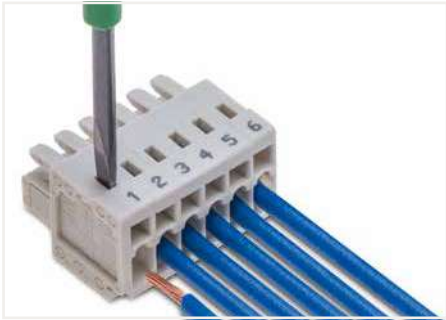
Labeling via direct marking or self-adhesive strips.



Strain relief housing for 734 Series Male and Female Connectors with CAGE CLAMP® connection.

MCS MINI

Description and Installation



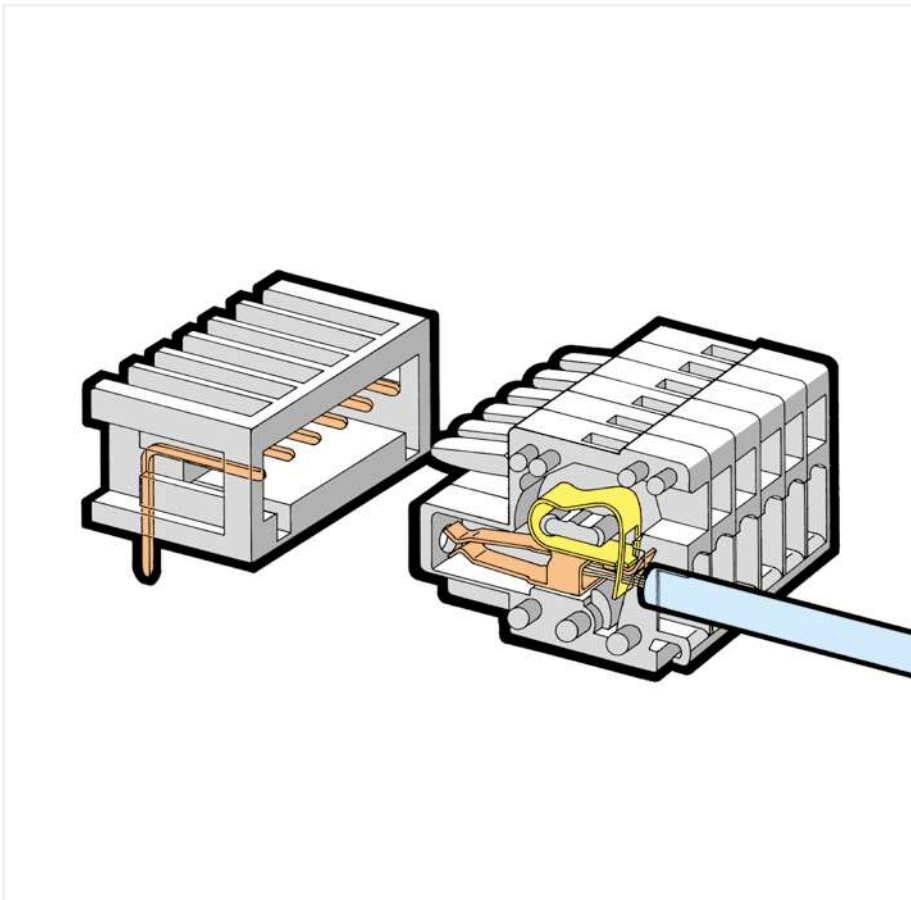
Inserting a conductor via (2.5 x 0.4) mm screwdriver – CAGE CLAMP® actuation perpendicular to conductor entry.



Inserting a conductor via (2.5 x 0.4) mm screwdriver – CAGE CLAMP® actuation parallel to conductor entry.



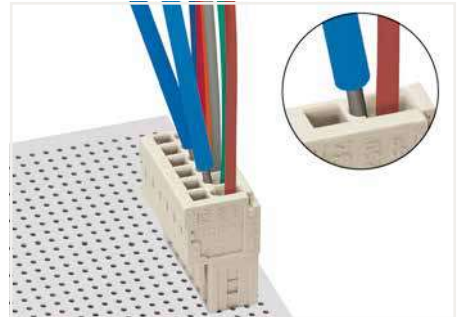
Inserting a conductor into CAGE CLAMP® unit via operating tool (210-251 or 210-250).



Pin spacing: 3.5 mm and 3.81 mm, CAGE CLAMP®

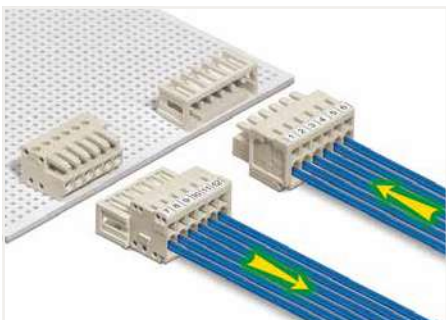


Inserting a conductor into CAGE CLAMP® unit via operating lever (734-191).



Testing via 1 mm Ø test pin (735-500) – CAGE CLAMP® connection – touch contact.

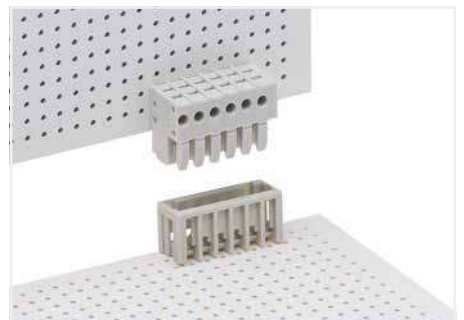
5



Easy-to-identify PCB inputs and outputs



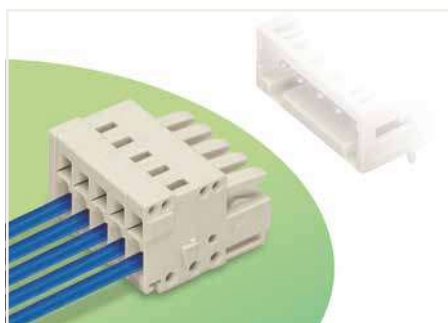
Wire-to-wire connection of single conductors



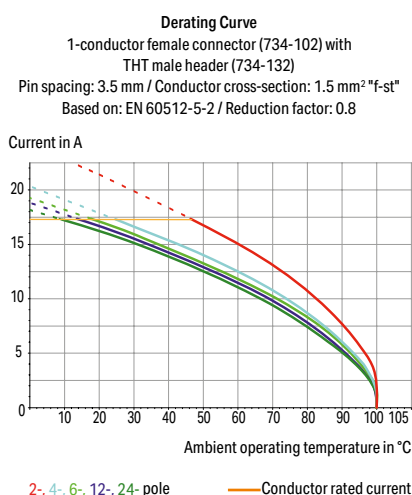
Board-to-board connection – male header with straight solder pins and female header with angled solder pins

1-conductor female plug ▶ MCS MINI ▶ 734 Series

Pin spacing: 3.5 mm / 0.138 inch ▶ Actuation type: Operating tool ▶ CAGE CLAMP® ▶ Color: light gray



- Universal connection for all conductor types
- Easy cable pre-assembly and on-unit wiring via vertical and horizontal CAGE CLAMP® actuation
- Strain relief plates and housings for field assembly
- 100% protected against mismatching
- Coding option available



Electrical Data

Ratings per	IEC/EN 60664-1		
Overvoltage category	III	III	II
Pollution degree	3	2	2
Rated voltage	160 V	160 V	320 V
Rated impulse voltage	2.5 kV	2.5 kV	2.5 kV
Rated current	10 A	10 A	10 A
Approbations per	UL 1059		
Use group	B	C	D
Rated voltage	300 V	-	300 V
Rated current	10 A	-	10 A
Approbations per	CSA		
Use group	B	C	D
Rated voltage	300 V	-	300 V
Rated current	10 A	-	10 A

Connection Data

Connection technology	CAGE CLAMP®
Solid conductor	0.08 ... 1.5 mm ² / 28 ... 14 AWG
Fine-stranded conductor	0.08 ... 1.5 mm ² / 28 ... 14 AWG
Fine-stranded conductor; with insulated ferrule	0.25 ... 1.5 mm ²
Fine-stranded conductor; with uninsulated ferrule	0.25 ... 1.5 mm ²
Note (conductor cross-section)	Terminating 1.5 mm ² conductors is possible; however insulation diameter does not allow clamping units to be terminated in a row.

Material Data

Material group	I
Insulation material	Polyamide (PA66)
Flammability class per UL94	V0
Clamping spring material	Chrome nickel spring steel (CrNi)
Contact material	Copper alloy
Contact plating	Tin-plated

Environmental Requirements

Limit temperature range	-60 ... +100 °C
-------------------------	-----------------

The MCS – MULTI CONNECTION SYSTEM includes connectors without breaking capacity in accordance with DIN EN 61984. When used as intended, these connectors must not be connected/disconnected when live or under load. The circuit design should ensure header pins, which can be touched, are not live when unmated.

Ferrule	Page 879
Insulation stop	Page 415
Marking	Page 864
Mounting	Page 546
Strain relief	Page 417
Test and measurement	Page 886
Tool	Page 414, 870
Direct marking	Page 420
See technical section for further information	
For approvals and corresponding ratings, visit www.wago.com	

1-conductor female plug ▶ MCS MINI ▶ 734 Series

Pin spacing: 3.5 mm / 0.138 inch ▶ Actuation type: Operating tool ▶ CAGE CLAMP® ▶ Color: light gray

Locking of plug-in connection: Locking lever

Locking of plug-in connection: Screw flange



734-106

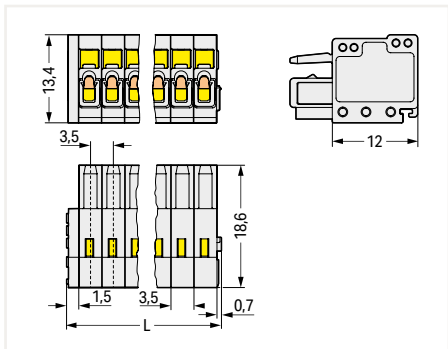
734-106/107-000

Pole No.	Item No.	PU
2	734-102	200
3	734-103	200
4	734-104	100
5	734-105	100
6	734-106	100
7	734-107	100
8	734-108	50
9	734-109	50
10	734-110	50
11	734-111	50
12	734-112	50
13	734-113	50
14	734-114	50
16	734-116	25
18	734-118	25
20	734-120	25
24	734-124	25

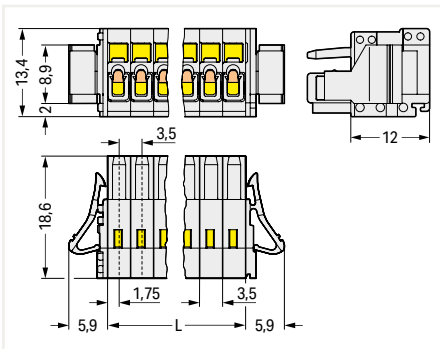
Pole No.	Item No.	PU
2	734-102/037-000	100
3	734-103/037-000	100
4	734-104/037-000	100
5	734-105/037-000	50
6	734-106/037-000	50
7	734-107/037-000	50
8	734-108/037-000	50
9	734-109/037-000	50
10	734-110/037-000	50
11	734-111/037-000	50
12	734-112/037-000	50
13	734-113/037-000	25
14	734-114/037-000	25
16	734-116/037-000	25
18	734-118/037-000	25
20	734-120/037-000	25
24	734-124/037-000	10

Pole No.	Item No.	PU
2	734-102/107-000	100
3	734-103/107-000	100
4	734-104/107-000	100
5	734-105/107-000	50
6	734-106/107-000	50
7	734-107/107-000	50
8	734-108/107-000	50
9	734-109/107-000	50
10	734-110/107-000	50
11	734-111/107-000	50
12	734-112/107-000	50
13	734-113/107-000	25
14	734-114/107-000	25
16	734-116/107-000	25
18	734-118/107-000	25
20	734-120/107-000	25
24	734-124/107-000	10

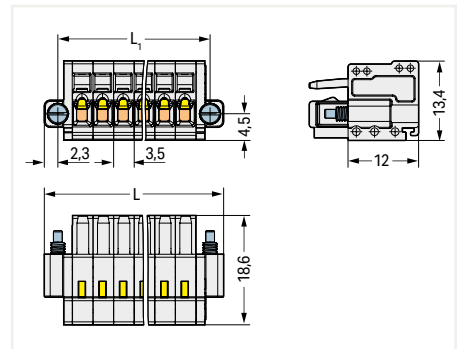
5



L = (pole no. x pin spacing) + 2.2 mm



L = pole no. x pin spacing



L = (pole no. x pin spacing) + 9.5 mm
L₁ = (pole no. x pin spacing) + 4.9 mm

PU = Packaging Unit; SPU = Subpackaging Unit; Dimensions in mm

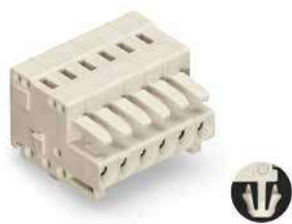
Other versions (or variants) can be requested from WAGO Sales or configured at <https://configurator.wago.com/>.

- Other pole numbers
- Gold-plated or partially gold-plated contact surfaces

1-conductor female plug ▶ MCS MINI ▶ 734 Series

Pin spacing: 3.5 mm / 0.138 inch ▶ Actuation type: Operating tool ▶ CAGE CLAMP® ▶ Color: light gray

Mounting type: Panel mounting ▶ Mounting type: Snap-in foot

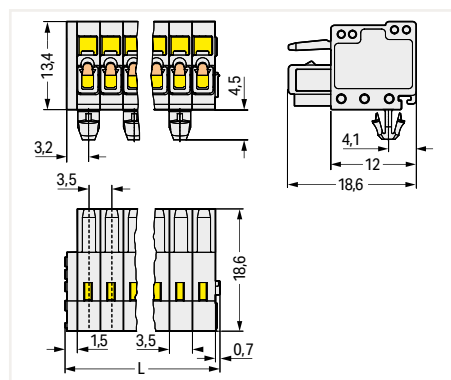


734-106/008-000

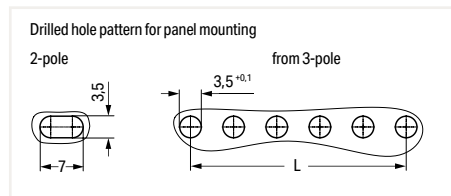


Using two DIN-35 rail mounting adapters (209-137) for 3 or more poles; distance between two mounting adapters: maximum 7 poles

Pole No.	Item No.	PU
2	734-102/008-000	200
3	734-103/008-000	200
4	734-104/008-000	100
5	734-105/008-000	100
6	734-106/008-000	100
7	734-107/008-000	50
8	734-108/008-000	50
9	734-109/008-000	50
10	734-110/008-000	50
11	734-111/008-000	50
12	734-112/008-000	50
13	734-113/008-000	50
14	734-114/008-000	50
16	734-116/008-000	25
18	734-118/008-000	25
20	734-120/008-000	25
24	734-124/008-000	25



$L = (\text{pole no.} \times \text{pin spacing}) + 2.2 \text{ mm}$



Even pole number: $L = (\text{pole no.} - 2) \times \text{pin spacing}$
 Odd pole number: $L = (\text{pole no.} - 1) \times \text{pin spacing}$

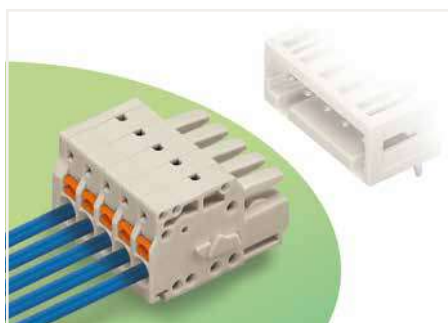
PU = Packaging Unit; SPU = Subpackaging Unit; Dimensions in mm

Other versions (or variants) can be requested from WAGO Sales or configured at <https://configurator.wago.com/>.

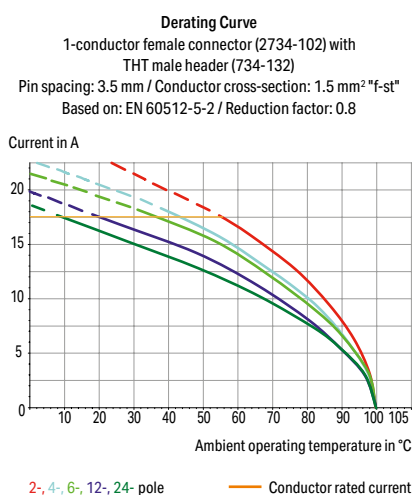
- Other pole numbers
- Gold-plated or partially gold-plated contact surfaces

1-conductor female plug ▶ MCS MINI ▶ 2734 Series

Pin spacing: 3.5 mm / 0.138 inch ▶ Actuation type: Push-button ▶ Push-in CAGE CLAMP® ▶ Color: light gray



- Universal connection for all conductor types
- Easy-to-use design does not require specialty tools
- Ability to wire while mated
- Simple, push-in termination of solid and ferruled conductors
- Integrated test ports for testing parallel to the conductor entry
- 100% protected against mismatching
- Coding option available



Electrical Data

Ratings per	IEC/EN 60664-1		
Overvoltage category	III	III	II
Pollution degree	3	2	2
Rated voltage	160 V	160 V	320 V
Rated impulse voltage	2.5 kV	2.5 kV	2.5 kV
Rated current	10 A	10 A	10 A
Approbations per	UL 1059		
Use group	B	C	D
Rated voltage	300 V	-	300 V
Rated current	10 A	-	10 A
Approbations per	CSA		
Use group	B	C	D
Rated voltage	300 V	-	300 V
Rated current	10 A	-	10 A

Connection Data

Connection technology	Push-in CAGE CLAMP®
Strip length	8 ... 9 mm / 0.31 ... 0.35 inch
Solid conductor	0.2 ... 1.5 mm ² / 24 ... 16 AWG
Fine-stranded conductor	0.2 ... 1.5 mm ² / 24 ... 16 AWG
Fine-stranded conductor; with insulated ferrule	0.25 ... 0.75 mm ²
Fine-stranded conductor; with uninsulated ferrule	0.25 ... 1.5 mm ²

Material Data

Material group	I
Insulation material	Polyamide (PA66)
Flammability class per UL94	V0
Clamping spring material	Chrome nickel spring steel (CrNi)
Contact material	Copper alloy
Contact plating	Tin-plated

Environmental Requirements

Limit temperature range	-60 ... +100 °C
-------------------------	-----------------

The MCS – MULTI CONNECTION SYSTEM includes connectors without breaking capacity in accordance with DIN EN 61984. When used as intended, these connectors must not be connected/disconnected when live or under load. The circuit design should ensure header pins, which can be touched, are not live when unmated.

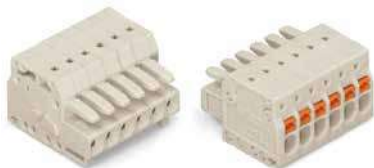
Ferrule	Page 879
Mounting	Page 869
Strain relief	Page 417
Tool	Page 414, 870
Direct marking	Page 420
Cutout dimensions	Page 422
See technical section for further information	
For approvals and corresponding ratings, visit www.wago.com	

1-conductor female plug ▶ MCS MINI ▶ 2734 Series

Pin spacing: 3.5 mm / 0.138 inch ▶ Actuation type: Push-button ▶ Push-in CAGE CLAMP® ▶ Color: light gray

Locking of plug-in connection: Locking lever

Locking of plug-in connection: Screw flange



2734-106



2734-106/037-000



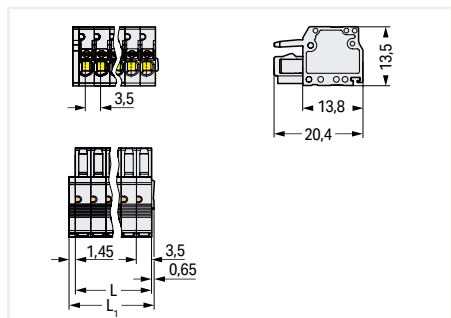
2734-106/107-000

Pole No.	Item No.	PU
2	2734-102	200
3	2734-103	200
4	2734-104	100
5	2734-105	100
6	2734-106	100
7	2734-107	100
8	2734-108	50
9	2734-109	50
10	2734-110	50
11	2734-111	50
12	2734-112	50
13	2734-113	50
14	2734-114	50
16	2734-116	25
18	2734-118	25
20	2734-120	25
24	2734-124	25

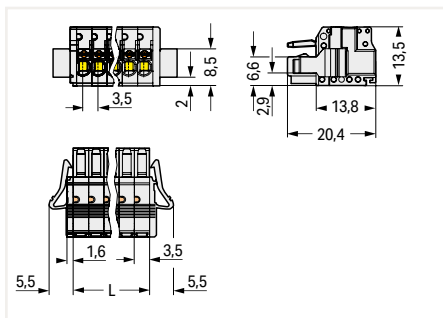
Pole No.	Item No.	PU
2	2734-102/037-000	100
3	2734-103/037-000	100
4	2734-104/037-000	100
5	2734-105/037-000	50
6	2734-106/037-000	50
7	2734-107/037-000	50
8	2734-108/037-000	50
9	2734-109/037-000	50
10	2734-110/037-000	50
11	2734-111/037-000	50
12	2734-112/037-000	50
13	2734-113/037-000	25
14	2734-114/037-000	25
16	2734-116/037-000	25
18	2734-118/037-000	25
20	2734-120/037-000	25
24	2734-124/037-000	10

Pole No.	Item No.	PU
2	2734-102/107-000	100
3	2734-103/107-000	100
4	2734-104/107-000	100
5	2734-105/107-000	50
6	2734-106/107-000	50
7	2734-107/107-000	50
8	2734-108/107-000	50
9	2734-109/107-000	50
10	2734-110/107-000	50
11	2734-111/107-000	50
12	2734-112/107-000	50
13	2734-113/107-000	25
14	2734-114/107-000	25
16	2734-116/107-000	25
18	2734-118/107-000	25
20	2734-120/107-000	25
24	2734-124/107-000	10

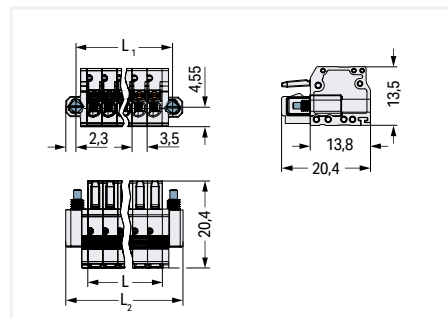
5



L = pole no. x pin spacing
L₁ = (pole no. x pin spacing) + 2.1 mm



L = pole no. x pin spacing



L = pole no. x pin spacing
L₁ = (pole no. x pin spacing) + 4.9 mm
L₂ = (pole no. x pin spacing) + 9.5 mm

PU = Packaging Unit; SPU = Subpackaging Unit; Dimensions in mm

Other versions (or variants) can be requested from WAGO Sales or configured at <https://configurator.wago.com/>.

- Other pole numbers
- Gold-plated or partially gold-plated contact surfaces

1-conductor female plug ▶ MCS MINI ▶ 2734 Series

Pin spacing: 3.5 mm / 0.138 inch ▶ Actuation type: Push-button ▶ Push-in CAGE CLAMP® ▶ Color: light gray

Mounting type: Feed-through mounting; Panel mounting
▶ Mounting type: Mounting flange

Mounting type: Feed-through mounting; Panel mounting
▶ Mounting type: Mounting flange ▶ with reinforcing strips

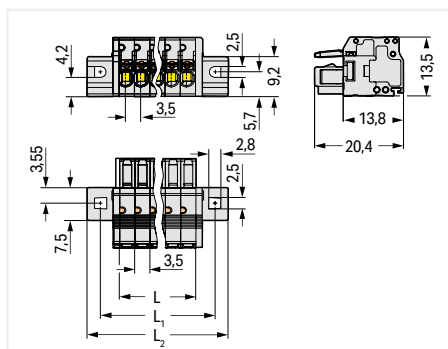


2734-106/031-000

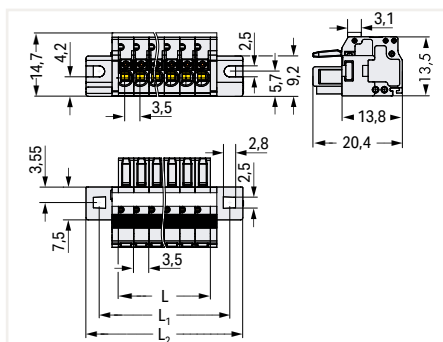
2734-110/027-000

Pole No.	Item No.	PU
2	2734-102/031-000	100
3	2734-103/031-000	100
4	2734-104/031-000	50
5	2734-105/031-000	50
6	2734-106/031-000	50
7	2734-107/031-000	50
8	2734-108/031-000	50
9	2734-109/031-000	50
12	2734-112/031-000	25

Pole No.	Item No.	PU
10	2734-110/027-000	50
11	2734-111/027-000	25
12	2734-112/027-000	25
13	2734-113/027-000	25
14	2734-114/027-000	25
16	2734-116/027-000	25
18	2734-118/027-000	25
20	2734-120/027-000	25
24	2734-124/027-000	10



L = pole no. x pin spacing
L₁ = (pole no. x pin spacing) + 8.8 mm
L₂ = (pole no. x pin spacing) + 14.8 mm



L = pole no. x pin spacing
L₁ = (pole no. x pin spacing) + 8.8 mm
L₂ = (pole no. x pin spacing) + 14.8 mm

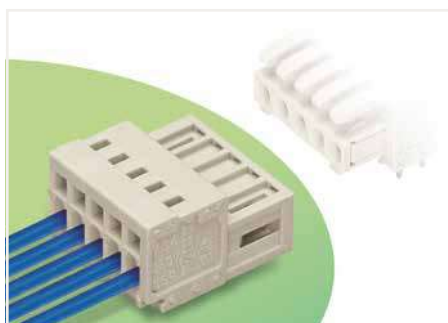
PU = Packaging Unit; SPU = Subpackaging Unit; Dimensions in mm

Other versions (or variants) can be requested from WAGO Sales or configured at <https://configurator.wago.com/>.

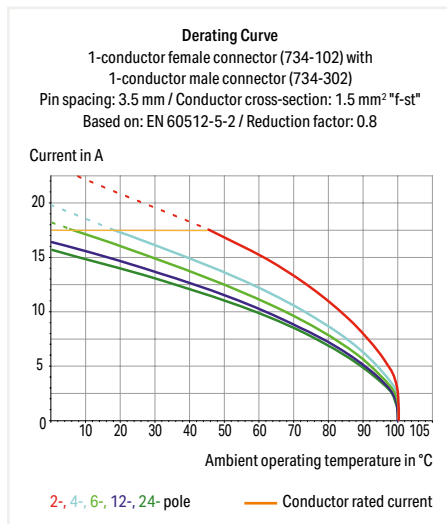
- Other pole numbers
- Gold-plated or partially gold-plated contact surfaces

1-conductor male connector ▶ MCS MINI ▶ 734 Series

Pin spacing: 3.5 mm / 0.138 inch ▶ Actuation type: Operating tool ▶ CAGE CLAMP® ▶ Color: light gray



- Universal connection for all conductor types
- Easy cable pre-assembly and on-unit wiring via vertical and horizontal CAGE CLAMP® actuation
- For wire-to-wire and board-to-wire connections
- Strain relief plates and housings for factory and field assembly
- 100% protected against mismatching
- Coding option available



Electrical Data

Ratings per	IEC/EN 60664-1		
Overvoltage category	III	III	II
Pollution degree	3	2	2
Rated voltage	160 V	160 V	320 V
Rated impulse voltage	2.5 kV	2.5 kV	2.5 kV
Rated current	10 A	10 A	10 A
Approbations per	UL 1059		
Use group	B	C	D
Rated voltage	300 V	-	300 V
Rated current	10 A	-	10 A
Approbations per	CSA		
Use group	B	C	D
Rated voltage	300 V	-	300 V
Rated current	10 A	-	10 A

Connection Data

Connection technology	CAGE CLAMP®
Strip length	6 ... 7 mm / 0.24 ... 0.28 inch
Solid conductor	0.08 ... 1.5 mm ² / 28 ... 14 AWG
Fine-stranded conductor	0.08 ... 1.5 mm ² / 28 ... 14 AWG
Fine-stranded conductor; with insulated ferrule	0.25 ... 1.5 mm ²
Fine-stranded conductor; with uninsulated ferrule	0.25 ... 1.5 mm ²
Note (conductor cross-section)	Terminating 1.5 mm ² conductors is possible; however insulation diameter does not allow clamping units to be terminated in a row.

Material Data

Material group	I
Insulation material	Polyamide (PA66)
Flammability class per UL94	V0
Clamping spring material	Chrome nickel spring steel (CrNi)
Contact material	Electrolytic copper (E _{cu})
Contact plating	Tin-plated

Environmental Requirements

Limit temperature range	-60 ... +100 °C
-------------------------	-----------------

The MCS – MULTI CONNECTION SYSTEM includes connectors without breaking capacity in accordance with DIN EN 61984. When used as intended, these connectors must not be connected/disconnected when live or under load. The circuit design should ensure header pins, which can be touched, are not live when unmated.

Coding	Page 416
Cover	Page 415
Ferrule	Page 879
Marking	Page 864
Mounting	Page 546, 869
Strain relief	Page 417
Test and measurement	Page 886
Tool	Page 414, 870
Direct marking	Page 420
Cutout dimensions	Page 422
See technical section for further information	
For approvals and corresponding ratings, visit www.wago.com	

1-conductor male connector ▶ MCS MINI ▶ 734 Series

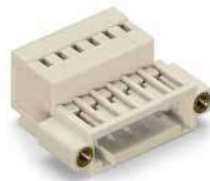
Pin spacing: 3.5 mm / 0.138 inch ▶ Actuation type: Operating tool ▶ CAGE CLAMP® ▶ Color: light gray

Locking of plug-in connection: Threaded flange

Mounting type: Feed-through mounting; Panel mounting
▶ Mounting type: Mounting flange



734-306



734-306/109-000



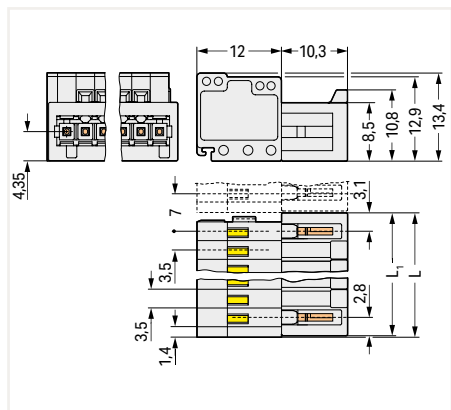
734-306/019-000

Pole No.	Item No.	PU
2	734-302	200
3	734-303	200
4	734-304	100
5	734-305	100
6	734-306	100
7	734-307	100
8	734-308	50
9	734-309	50
10	734-310	50
11	734-311	50
12	734-312	50
13	734-313	50
14	734-314	50
16	734-316	25
18	734-318	25
20	734-320	25
24	734-324	10

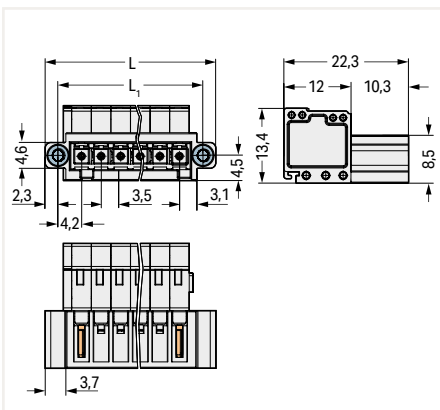
Pole No.	Item No.	PU
2	734-302/109-000	100
3	734-303/109-000	100
4	734-304/109-000	100
5	734-305/109-000	50
6	734-306/109-000	50
7	734-307/109-000	50
8	734-308/109-000	50
9	734-309/109-000	50
10	734-310/109-000	50
11	734-311/109-000	50
12	734-312/109-000	50
13	734-314/109-000	25
13	734-313/109-000	25
16	734-316/109-000	25
18	734-318/109-000	25
20	734-320/109-000	25
24	734-324/109-000	10

Pole No.	Item No.	PU
2	734-302/019-000	100
4	734-304/019-000	50
5	734-305/019-000	50
6	734-306/019-000	50
7	734-307/019-000	50
8	734-308/019-000	50
9	734-309/019-000	50
10	734-310/019-000	50
11	734-311/019-000	25
12	734-312/019-000	25
13	734-313/019-000	25
14	734-314/019-000	25
16	734-316/019-000	25
18	734-318/019-000	25
20	734-320/019-000	25
24	734-324/019-000	10

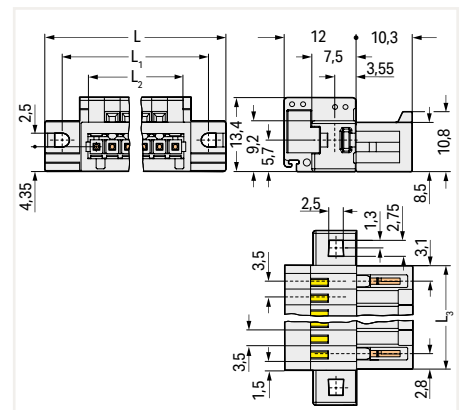
5



L = (pole no. - 1) x pin spacing + 5.9 mm + 0.45 mm
L₁ = L - 0.45 mm



L = (pole no. x pin spacing) + 9.5 mm
L₁ = (pole no. x pin spacing) + 4.9 mm



L = (pole no. x pin spacing) + 14.8 mm
L₁ = (pole no. x pin spacing) + 8.8 mm
L₂ = pole no. x pin spacing
L₃ = (pole no. - 1) x pin spacing + 5.9 mm

PU = Packaging Unit; SPU = Subpackaging Unit; Dimensions in mm

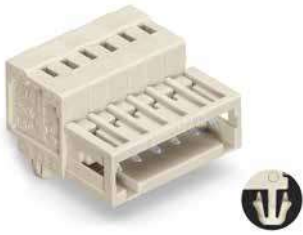
Other versions (or variants) can be requested from WAGO Sales or configured at <https://configurator.wago.com/>.

- Other pole numbers
- Gold-plated or partially gold-plated contact surfaces

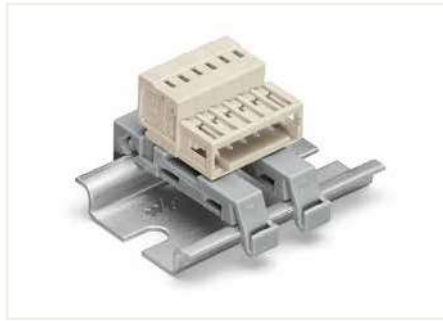
1-conductor male connector ▶ MCS MINI ▶ 734 Series

Pin spacing: 3.5 mm / 0.138 inch ▶ Actuation type: Operating tool ▶ CAGE CLAMP® ▶ Color: light gray

Mounting type: Panel mounting ▶ Mounting type: Snap-in foot



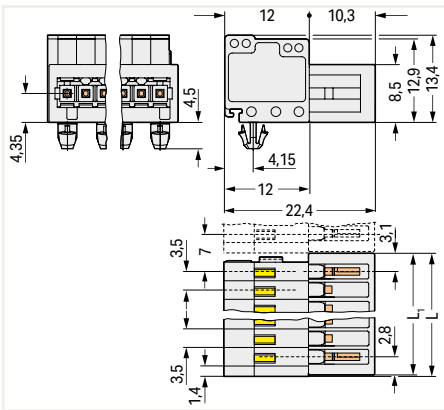
734-306/018-000



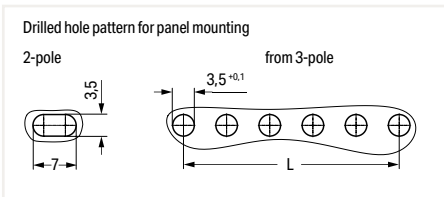
Using two DIN-35 rail mounting adapters (209-137) for 3 or more poles. Distance between two mounting adapters: maximum 7 poles.

5

Pole No.	Item No.	PU
2	734-302/018-000	200
3	734-303/018-000	100
4	734-304/018-000	100
5	734-305/018-000	100
6	734-306/018-000	100
7	734-307/018-000	100
8	734-308/018-000	50
9	734-309/018-000	50
10	734-310/018-000	50
11	734-311/018-000	50
12	734-312/018-000	50
13	734-313/018-000	50
14	734-314/018-000	50
16	734-316/018-000	25
18	734-318/018-000	25
20	734-320/018-000	25
24	734-324/018-000	10



$L = (\text{pole no.} - 1) \times \text{pin spacing} + 5.9 \text{ mm} + 0.45 \text{ mm}$
 $L_1 = L - 0.45 \text{ mm}$



Even pole number: $L = (\text{pole no.} - 2) \times \text{pin spacing}$
 Odd pole number: $L = (\text{pole no.} - 1) \times \text{pin spacing}$

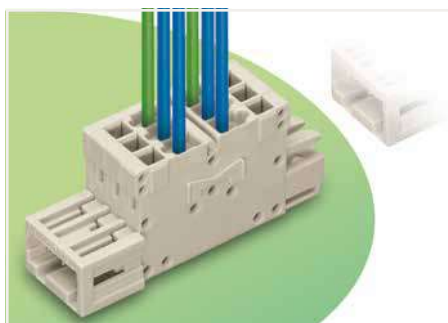
PU = Packaging Unit; SPU = Subpackaging Unit; Dimensions in mm

Other versions (or variants) can be requested from WAGO Sales or configured at <https://configurator.wago.com/>.

- Other pole numbers
- Gold-plated or partially gold-plated contact surfaces

2-conductor combi strip ▶ MCS MINI ▶ 734 Series

Pin spacing: 3.5 mm / 0.138 inch ▶ Actuation type: Operating tool ▶ CAGE CLAMP® ▶ Color: light gray



- Universal connection for all conductor types
- 2-conductor strips combine pin and socket connections
- Multiply potentials
- Strain relief plates for factory and field assembly
- Supply via pin-contact side
- Combi strips may be connected to multiply outputs
- 100% protected against mismatching
- Coding option available

Electrical Data

Ratings per	IEC/EN 60664-1		
Overvoltage category	III	III	II
Pollution degree	3	2	2
Rated voltage	160 V	160 V	320 V
Rated impulse voltage	2.5 kV	2.5 kV	2.5 kV
Rated current	10 A	10 A	10 A
Approbations per	UL 1059		
Use group	B	C	D
Rated voltage	300 V	-	300 V
Rated current	10 A	-	10 A
Approbations per	CSA		
Use group	B	C	D
Rated voltage	300 V	-	300 V
Rated current	10 A	-	10 A

Connection Data

Connection technology	CAGE CLAMP®
Strip length	6 ... 7 mm / 0.24 ... 0.28 inch
Solid conductor	0.08 ... 1.5 mm ² / 28 ... 14 AWG
Fine-stranded conductor	0.08 ... 1.5 mm ² / 28 ... 14 AWG
Fine-stranded conductor; with insulated ferrule	0.25 ... 1.5 mm ²
Fine-stranded conductor; with uninsulated ferrule	0.25 ... 1.5 mm ²
Note (conductor cross-section)	Terminating 1.5 mm ² conductors is possible; however insulation diameter does not allow clamping units to be terminated in a row.

Material Data

Material group	I
Insulation material	Polyamide (PA66)
Flammability class per UL94	V0
Clamping spring material	Chrome nickel spring steel (CrNi)
Contact material	Copper alloy
Contact plating	Tin-plated

Environmental Requirements

Limit temperature range	-60 ... +100 °C
-------------------------	-----------------

The MCS – MULTI CONNECTION SYSTEM includes connectors without breaking capacity in accordance with DIN EN 61984. When used as intended, these connectors must not be connected/disconnected when live or under load. The circuit design should ensure header pins, which can be touched, are not live when unmated.

Coding	Page 416
Cover	Page 415
Ferrule	Page 879
Marking	Page 864
Mounting	Page 546
Strain relief	Page 417
Test and measurement	Page 886
Direct marking	Page 420
See technical section for further information	
For approvals and corresponding ratings, visit www.wago.com	

2-conductor combi strip ▶ MCS MINI ▶ 734 Series

Pin spacing: 3.5 mm / 0.138 inch ▶ Actuation type: Operating tool ▶ CAGE CLAMP® ▶ Color: light gray

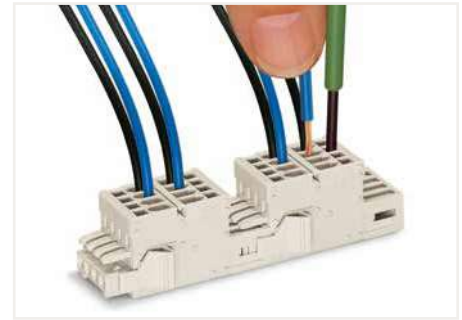
Locking of plug-in connection: Locking lever



734-364



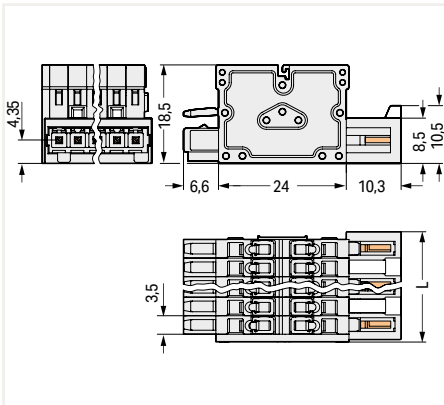
734-364/037-000



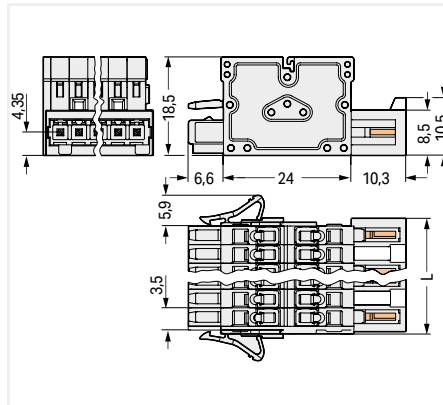
2-conductor combi strips with locking levers for multiplying potentials

Pole No.	Item No.	PU
2	734-362	100
3	734-363	50
4	734-364	50
5	734-365	50
6	734-366	50
7	734-367	25
8	734-368	25
9	734-369	25
10	734-370	25
11	734-371	25
12	734-372	25

Pole No.	Item No.	PU
2	734-362/037-000	50
3	734-363/037-000	50
4	734-364/037-000	50
5	734-365/037-000	50
6	734-366/037-000	25
7	734-367/037-000	25
8	734-368/037-000	25
9	734-369/037-000	25
10	734-370/037-000	25
11	734-371/037-000	25
12	734-372/037-000	25



$L = (\text{pole no.} - 1) \times \text{pin spacing} + 5.9 \text{ mm} + 0.45 \text{ mm}$



$L = (\text{pole no.} - 1) \times \text{pin spacing} + 5.9 \text{ mm} + 0.45 \text{ mm}$

PU = Packaging Unit; SPU = Subpackaging Unit; Dimensions in mm

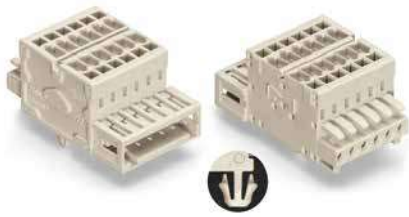
Other versions (or variants) can be requested from WAGO Sales or configured at <https://configurator.wago.com/>.

- Other pole numbers

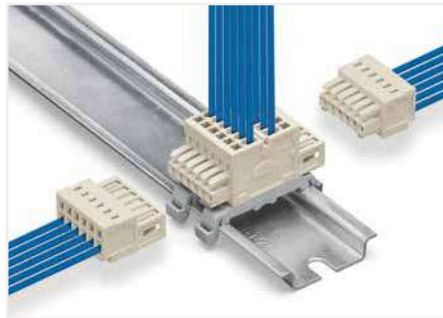
2-conductor combi strip ▶ MCS MINI ▶ 734 Series

Pin spacing: 3.5 mm / 0.138 inch ▶ Actuation type: Operating tool ▶ CAGE CLAMP® ▶ Color: light gray

Mounting type: Panel mounting ▶ Mounting type: Snap-in foot

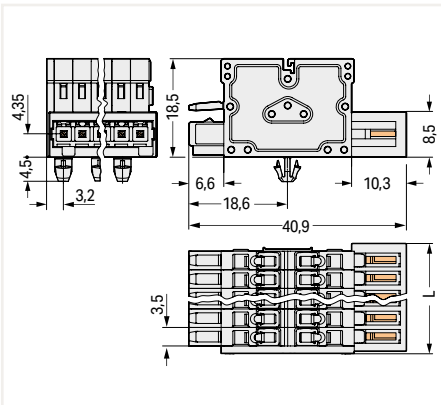


734-366/008-000



2-conductor combi strip with snap-in mounting feet using two DIN-35 rail mounting adapters (209-137) for 3 or more poles; distance between two mounting adapters: maximum 7 poles

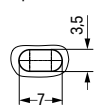
Pole No.	Item No.	PU
2	734-362/008-000	100
3	734-363/008-000	50
4	734-364/008-000	50
5	734-365/008-000	50
6	734-366/008-000	50
7	734-367/008-000	50
8	734-368/008-000	50
9	734-369/008-000	25
10	734-370/008-000	25
11	734-371/008-000	25
12	734-372/008-000	25



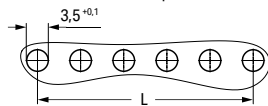
$L = (\text{pole no.} - 1) \times \text{pin spacing} + 5.9 \text{ mm} + 0.45 \text{ mm}$

Drilled hole pattern for panel mounting

2-pole



from 3-pole



Even pole number: $L = (\text{pole no.} - 2) \times \text{pin spacing}$

Odd pole number: $L = (\text{pole no.} - 1) \times \text{pin spacing}$

PU = Packaging Unit; SPU = Subpackaging Unit; Dimensions in mm

Other versions (or variants) can be requested from WAGO Sales or configured at <https://configurator.wago.com/>.

- Other pole numbers

THT female header ▶ MCS MINI ▶ 734 Series

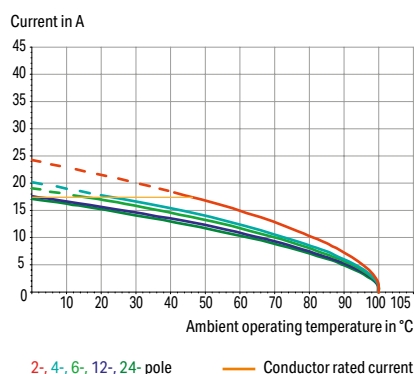
Pin spacing: 3.5 mm / 0.138 inch ▶ Solder pin length: 3.8 mm ▶ Color: light gray



- Horizontal or vertical PCB mounting via straight or angled solder pins
- Integrated test ports for 2 mm Ø test plugs
- For board-to-board and board-to-wire connections
- Touch-proof PCB outputs
- Easy-to-identify inputs and outputs
- 100% protected against mismatching
- Coding option available

Derating CurveTHT female header (734-532) with
1-conductor male connector (734-302)Pin spacing: 3.5 mm / Conductor cross-section: 1.5 mm² "f-st"

Based on: EN 60512-5-2 / Reduction factor: 0.8

**Electrical Data**

Ratings per	IEC/EN 60664-1		
Overvoltage category	III	III	II
Pollution degree	3	2	2
Rated voltage	160 V	160 V	320 V
Rated impulse voltage	2.5 kV	2.5 kV	2.5 kV
Rated current	10 A	10 A	10 A
Approbations per	UL 1059		
Use group	B	C	D
Rated voltage	300 V	-	300 V
Rated current	10 A	-	10 A
Approbations per	CSA		
Use group	B	C	D
Rated voltage	300 V	-	300 V
Rated current	10 A	-	10 A

Material Data

Material group	I
Insulation material	Polyamide (PA66)
Flammability class per UL94	V0
Contact material	Copper alloy
Contact plating	Tin-plated

Mechanical Data

Solder pin arrangement	Over the entire female connector (in-line)
Solder pin length	3.8 mm
Solder pin dimensions	0.9 x 0.9 mm
Drilled hole diameter with tolerance	1.4 ^(+0.1) mm

Environmental Requirements

Limit temperature range	-60 ... +100 °C
-------------------------	-----------------

The MCS – MULTI CONNECTION SYSTEM includes connectors without breaking capacity in accordance with DIN EN 61984. When used as intended, these connectors must not be connected/disconnected when live or under load. The circuit design should ensure header pins, which can be touched, are not live when unmated.

See technical section for further information

For approvals and corresponding ratings, visit www.wago.com

THT female header ▶ MCS MINI ▶ 734 Series

Pin spacing: 3.5 mm / 0.138 inch ▶ Solder pin length: 3.8 mm ▶ Color: light gray

Mating direction to the PCB: 0°

Mating direction to the PCB: 90°

Locking of plug-in connection: Locking lever ▶ Mating direction to the PCB: 0°



734-536



734-466



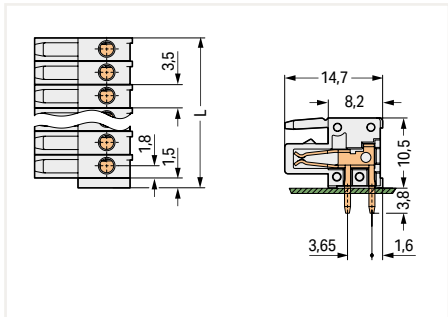
734-536/037-000

Pole No.	Item No.	PU
2	734-532	200
3	734-533	200
4	734-534	100
5	734-535	100
6	734-536	100
7	734-537	50
8	734-538	50
9	734-539	50
10	734-540	50
11	734-541	50
12	734-542	50
13	734-543	50
14	734-544	50
16	734-546	25
18	734-548	25
20	734-550	25
24	734-554	25

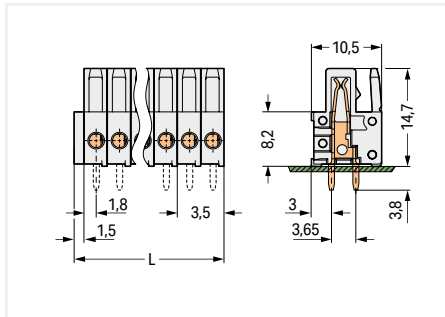
Pole No.	Item No.	PU
2	734-462	200
3	734-463	200
4	734-464	100
5	734-465	100
6	734-466	100
7	734-467	50
8	734-468	50
9	734-469	50
10	734-470	50
11	734-471	50
12	734-472	50
13	734-473	50
14	734-474	50
16	734-476	25
18	734-478	25
20	734-480	25
24	734-484	25

Pole No.	Item No.	PU
2	734-532/037-000	100
3	734-533/037-000	100
4	734-534/037-000	100
5	734-535/037-000	50
6	734-536/037-000	50
7	734-537/037-000	50
8	734-538/037-000	50
9	734-539/037-000	50
10	734-540/037-000	50
11	734-541/037-000	50
12	734-542/037-000	50
13	734-543/037-000	25
14	734-544/037-000	25
16	734-546/037-000	25
18	734-548/037-000	25
20	734-550/037-000	25
24	734-554/037-000	10

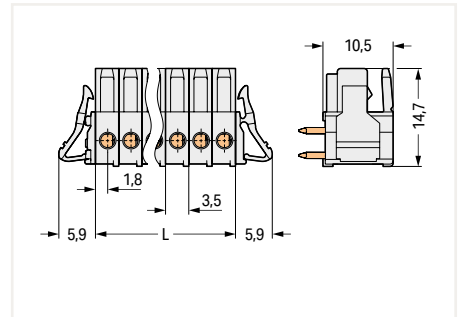
5



L = (pole no. x pin spacing) + 1.5 mm



L = (pole no. x pin spacing) + 1.5 mm



L = pole no. x pin spacing

PU = Packaging Unit; SPU = Subpackaging Unit; Dimensions in mm

Other versions (or variants) can be requested from WAGO Sales or configured at <https://configurator.wago.com/>.

- Other pole numbers
- Gold-plated or partially gold-plated contact surfaces

THT female header ▶ MCS MINI ▶ 734 Series

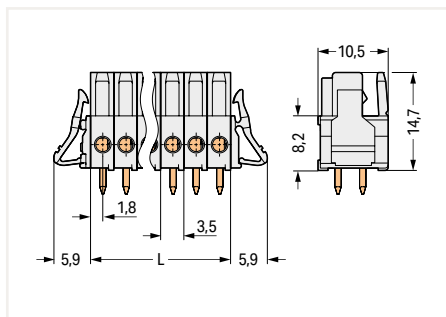
Pin spacing: 3.5 mm / 0.138 inch ▶ Solder pin length: 3.8 mm ▶ Color: light gray

Locking of plug-in connection: Locking lever ▶ Mating direction to the PCB: 90 °



734-466/037-000

Pole No.	Item No.	PU
2	734-462/037-000	100
3	734-463/037-000	100
4	734-464/037-000	100
5	734-465/037-000	50
6	734-466/037-000	50
7	734-467/037-000	50
8	734-468/037-000	50
9	734-469/037-000	50
10	734-470/037-000	50
11	734-471/037-000	50
12	734-472/037-000	50
13	734-473/037-000	25
14	734-474/037-000	25
16	734-476/037-000	25
18	734-478/037-000	25
20	734-480/037-000	25
24	734-484/037-000	10



L = pole no. x pin spacing

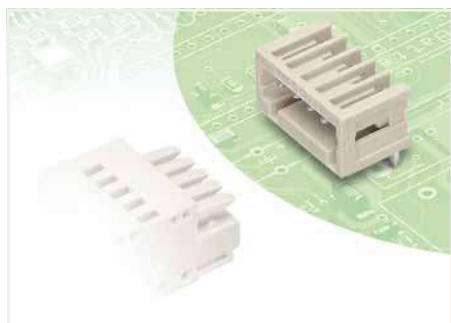
PU = Packaging Unit; SPU = Subpackaging Unit; Dimensions in mm

Other versions (or variants) can be requested from WAGO Sales or configured at <https://configurator.wago.com/>.

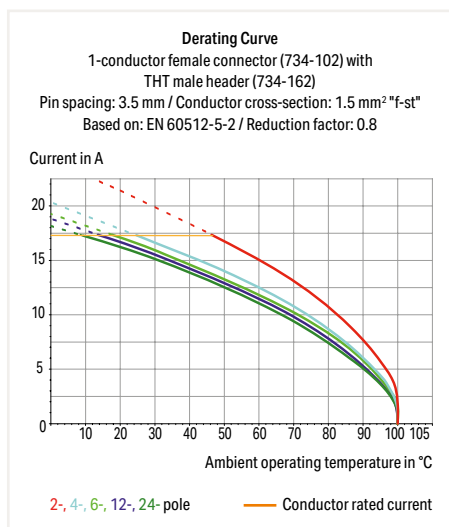
- Other pole numbers
- Gold-plated or partially gold-plated contact surfaces

THT male header ▶ MCS MINI ▶ 734 Series

Pin spacing: 3.5 mm / 0.138 inch ▶ Color: light gray



- Horizontal or vertical PCB mounting via straight or angled solder pins
- 100% protected against mismatching; only mating halves with the same number of poles can be connected together
- Coding option available



Electrical Data

Ratings per		IEC/EN 60664-1		
Overvoltage category		III	III	II
Pollution degree		3	2	2
Rated voltage		160 V	160 V	320 V
Rated impulse voltage		2.5 kV	2.5 kV	2.5 kV
Rated current		10 A	10 A	10 A
Approbations per		UL 1059		
Use group		B	C	D
Rated voltage		300 V	-	300 V
Rated current		10 A	-	10 A
Approbations per		CSA		
Use group		B	C	D
Rated voltage		300 V	-	300 V
Rated current		10 A	-	10 A

Material Data

Material group	I
Insulation material	Polyamide (PA66)
Flammability class per UL94	V0
Contact material	Electrolytic copper (E _{cu})
Contact plating	Tin-plated

Mechanical Data

Solder pin arrangement	Over the entire male connector (in-line)
Solder pin dimensions	1 x 1 mm
Drilled hole diameter with tolerance	1.4 ^(+0.1) mm

Environmental Requirements

Limit temperature range	-60 ... +100 °C
-------------------------	-----------------

The MCS – MULTI CONNECTION SYSTEM includes connectors without breaking capacity in accordance with DIN EN 61984. When used as intended, these connectors must not be connected/disconnected when live or under load. The circuit design should ensure header pins, which can be touched, are not live when unmated.

Coding Page 416

See technical section for further information

For approvals and corresponding ratings, visit www.wago.com

THT male header ▶ MCS MINI ▶ 734 Series

Pin spacing: 3.5 mm / 0.138 inch ▶ Color: light gray

Mating direction to the PCB: 0° ▶ Solder pin length: 3.8 mm

Mating direction to the PCB: 90° ▶ Solder pin length: 4.5 mm

Double-deck ▶ Mating direction to the PCB: 0° ▶ Solder pin length: 3.6 mm



734-166



734-136



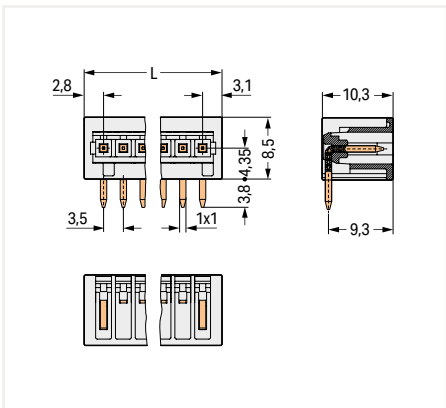
734-406

Pole No.	Item No.	PU
2	734-162	200
3	734-163	200
4	734-164	200
5	734-165	200
6	734-166	100
7	734-167	100
8	734-168	100
9	734-169	100
10	734-170	100
11	734-171	100
12	734-172	100
13	734-173	100
14	734-174	50
16	734-176	50
18	734-178	50
20	734-180	50
24	734-184	50

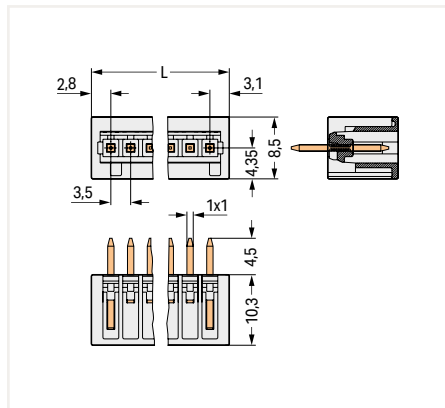
Pole No.	Item No.	PU
2	734-132	200
3	734-133	200
4	734-134	200
5	734-135	200
6	734-136	100
7	734-137	100
8	734-138	100
9	734-139	100
10	734-140	100
11	734-141	100
12	734-142	100
13	734-143	100
14	734-144	100
16	734-146	50
18	734-148	50
20	734-150	50
24	734-154	50

Pole No.	Item No.	PU
4	734-402	100
6	734-403	100
8	734-404	100
10	734-405	100
12	734-406	100
14	734-407	50
16	734-408	50
18	734-409	50
20	734-410	50
24	734-412	50

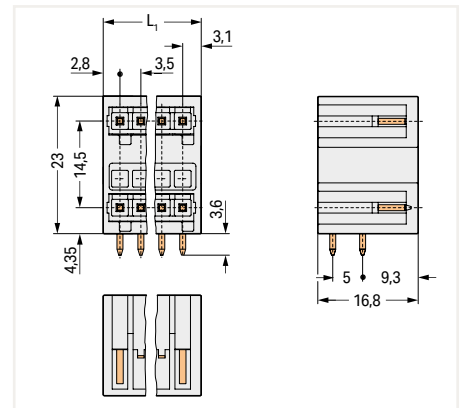
5



$L = (\text{pole no.} - 1) \times \text{pin spacing} + 5.9 \text{ mm}$



$L = (\text{pole no.} - 1) \times \text{pin spacing} + 5.9 \text{ mm}$



$L_1 = (\text{pole no./2} - 1) \times \text{pin spacing} + 5.9 \text{ mm}$

PU = Packaging Unit; SPU = Subpackaging Unit; Dimensions in mm

Other versions (or variants) can be requested from WAGO Sales or configured at <https://configurator.wago.com/>.

- Other pole numbers
- 3.8 mm pin projection for male headers with straight solder pins
- Gold-plated or partially gold-plated contact surfaces

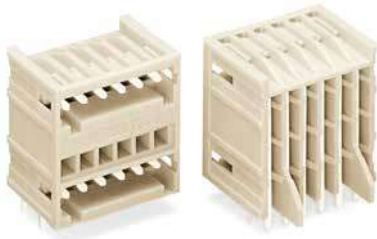
THT male header ▶ MCS MINI ▶ 734 Series

Pin spacing: 3.5 mm / 0.138 inch ▶ Color: light gray

Double-deck with support ▶ Mating direction to the PCB: 0° ▶ Solder pin length: 3.6 mm

Locking of plug-in connection: Threaded flange ▶ Mating direction to the PCB: 0° ▶ Solder pin length: 3.8 mm

Locking of plug-in connection: Threaded flange ▶ Mating direction to the PCB: 90° ▶ Solder pin length: 4.5 mm



734-406/001-000



734-166/108-000



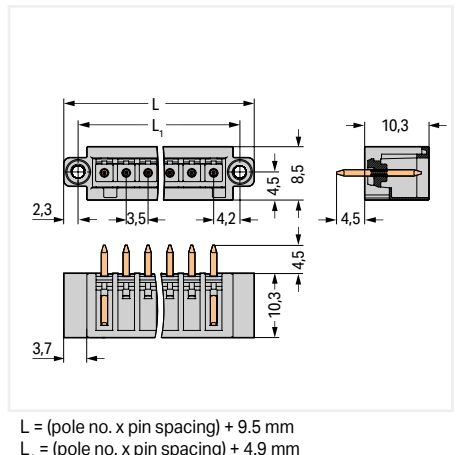
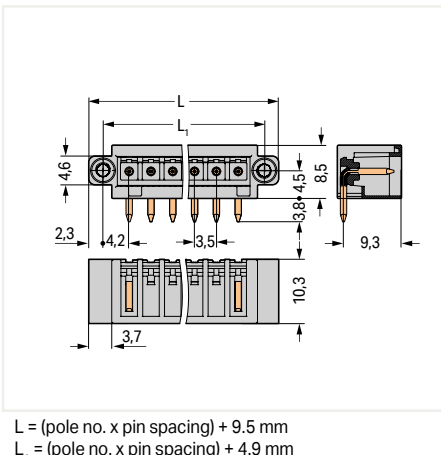
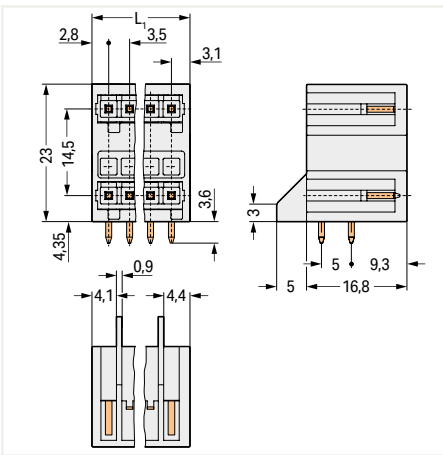
734-136/108-000

Pole No.	Item No.	PU
4	734-402/001-000	100
6	734-403/001-000	100
8	734-404/001-000	100
10	734-405/001-000	100
12	734-406/001-000	50
14	734-407/001-000	50
16	734-408/001-000	50
18	734-409/001-000	50
20	734-410/001-000	50
24	734-412/001-000	50

Pole No.	Item No.	PU
2	734-162/108-000	200
3	734-163/108-000	200
4	734-164/108-000	200
5	734-165/108-000	200
6	734-166/108-000	100
7	734-167/108-000	100
8	734-168/108-000	100
9	734-169/108-000	100
10	734-170/108-000	100
11	734-171/108-000	100
12	734-172/108-000	100
13	734-173/108-000	100
14	734-174/108-000	50
16	734-176/108-000	50
18	734-178/108-000	50
20	734-180/108-000	50
24	734-184/108-000	50

Pole No.	Item No.	PU
2	734-132/108-000	200
3	734-133/108-000	200
4	734-134/108-000	200
5	734-135/108-000	100
6	734-136/108-000	100
7	734-137/108-000	100
8	734-138/108-000	100
9	734-139/108-000	100
10	734-140/108-000	100
11	734-141/108-000	100
12	734-142/108-000	100
13	734-143/108-000	50
14	734-144/108-000	50
16	734-146/108-000	50
18	734-148/108-000	50
20	734-150/108-000	50
24	734-154/108-000	50

5

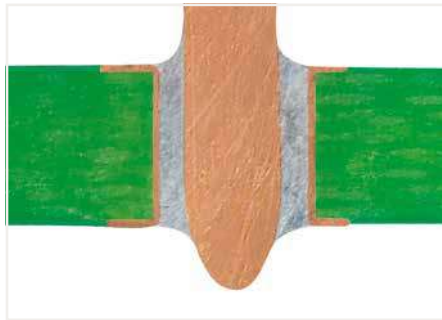


PU = Packaging Unit; SPU = Subpackaging Unit; Dimensions in mm

Other versions (or variants) can be requested from WAGO Sales or configured at <https://configurator.wago.com/>.

- Other pole numbers
- 3.8 mm pin projection for male headers with straight solder pins
- Gold-plated or partially gold-plated contact surfaces

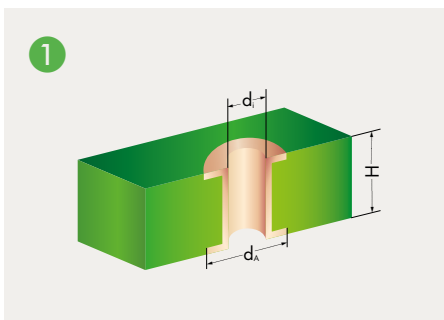
THR (Through-Hole Reflow) Soldering Process



By using high-temperature-resistant plastic and a streamlined pin design, WAGO's THR male headers and PCB terminal blocks meet requirements for SMT process capability while maintaining the necessary stability. Both headers and terminal blocks are simply pushed into the solder paste-filled PCB holes and then soldered along with the SMT components via reflow soldering. The previous wave soldering process is no longer necessary. The result is a perfect connection – both mechanically and electrically.

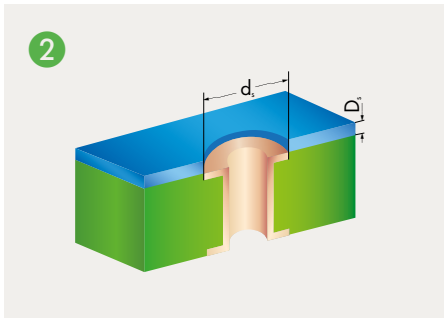
Terminal strips with an additional suction pad in tape-and-reel packaging per IEC 60286-3 WAGO recommends both a temperature profile that adheres to EN 61760-1 and the use of forced convection ovens for processing THR components.

5



Metal-plated PCB bore hole

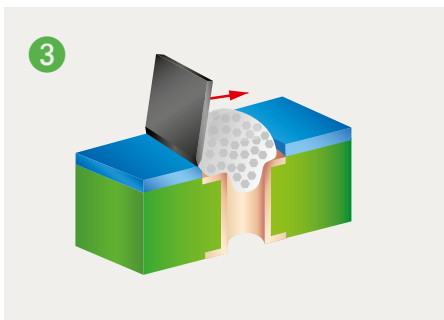
Series	d _i (mm)	d _A (mm)	H (mm)	d _s (mm)	D _s (μm)	d (mm)	L (mm)
218	1.1 ^{+0.1}	1.9	<2	1.8	150	0.9	2.8
231 (1 x 1 mm)	1.4 ^{+0.1}	2.5	<2	2.4	150	1.2	2.4
231 (1.2 x 1.2 mm)	1.7 ^{+0.1}	2.8	<2	2.7	150	1.5	2.4
236	1.1 ^{+0.1}	2.2	<2	2.1	150	0.9	3.6
250	1.1 ^{+0.1}	2.0	<2	1.9	150	0.9	2.4
713	1.0 ^{+0.1}	1.9	<2	1.8	150	1.0	2.4
733	1.2 ^{+0.1}	1.9	<2	1.8	150	1.0	2.4
734	1.4 ^{+0.1}	2.5	<2	2.4	150	1.2	2.4
2060	1.5 ^{+0.1}	2.4	<2	2.3	150	1.25	2.4
2061	1.5 ^{+0.1}	2.4	<2	2.3	150	1.25	1.5/2.4
2086	1.0 ^{+0.1}	2.0	<2	1.9	150	0.85	1.5/2.4



SMD positioning pattern

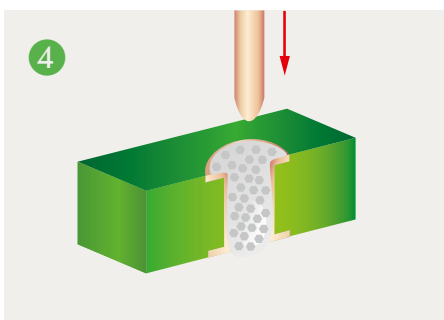
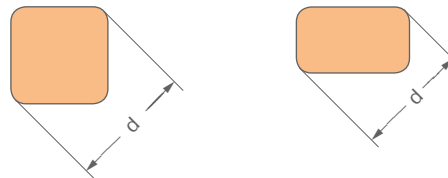
- d_i: Plated through-hole diameter
- d_A: Outer diameter of metal-plated PCB hole*
- H: PCB thickness
- d_s: Pattern hole diameter
- D_s: Pattern thickness
- d: Pin diagonal
- L: Pin length

* When laying out the metal-plated bore holes, the clearance and creepage distance requirements – as specified in the equipment standards – must be considered.

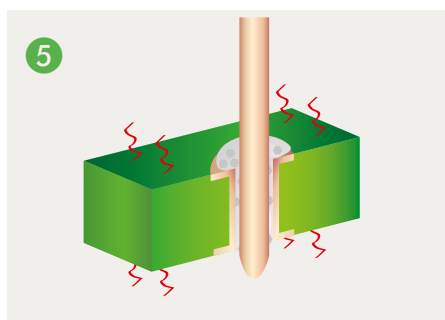


Solder paste application

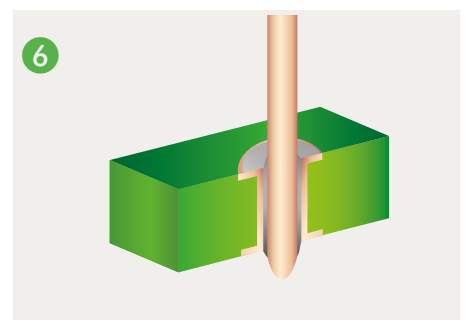
Solder pin form



Component assembly, automatic/by hand



Reflow soldering process



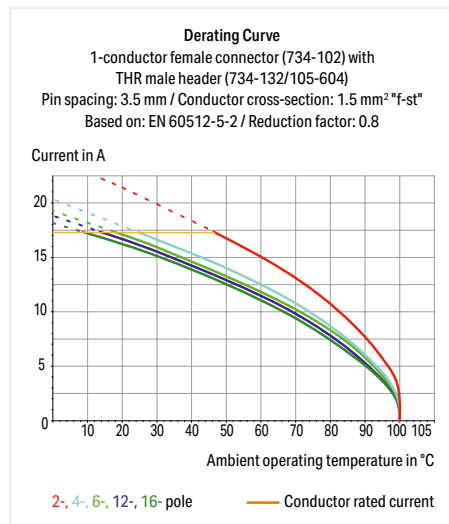
THR soldering joint

THR male header ▶ MCS MINI ▶ 734 Series

Pin spacing: 3.5 mm / 0.138 inch ▶ Color: black



- THR male headers for reflow soldering in SMT applications
- Available in tape-and-reel packaging for automated pick-and-place PCB assembly
- Optimal thermal penetration via pin enclosure design provides lower soldering temperatures
- 100% protected against mismatching
- Coding via coding fingers



Electrical Data

Mating direction to the PCB com_Automatenbestueckung	0°;90° 1			0°		
	IEC/EN 60664-1			IEC/EN 60664-1		
Ratings per						
Overvoltage category	III	III	II	III	III	II
Pollution degree	3	2	2	3	2	2
Rated voltage	160 V	160 V	320 V	160 V	250 V	320 V
Rated impulse voltage	2.5 kV	2.5 kV	2.5 kV	2.5 kV	2.5 kV	2.5 kV
Rated current	10 A	10 A	10 A	10 A	10 A	10 A
Approbations per	UL 1059			UL 1059		
Use group	B	C	D	B	C	D
Rated voltage	300 V	-	300 V	300 V	-	300 V
Rated current	10 A	-	10 A	10 A	-	10 A
Approbations per	CSA			CSA		
Use group	B	C	D	B	C	D
Rated voltage	300 V	-	300 V	300 V	-	300 V
Rated current	10 A	-	10 A	10 A	-	10 A

Material Data

Material group	I
Insulation material	Polyphthalamide (PPA GF)
Flammability class per UL94	V0
Contact material	Electrolytic copper (E _{cu})
Contact plating	Tin-plated

Mechanical Data

Solder pin arrangement	Over the entire male connector (in-line)
Solder pin length	2.4 mm
Solder pin dimensions	1 x 1 mm
Plated through-hole diameter (THR)	1.4 ^(+0.1) mm

Environmental Requirements

Limit temperature range	-60 ... +100 °C
-------------------------	-----------------

The MCS – MULTI CONNECTION SYSTEM includes connectors without breaking capacity in accordance with DIN EN 61984. When used as intended, these connectors must not be connected/disconnected when live or under load. The circuit design should ensure header pins, which can be touched, are not live when unmated.

THR soldering Page 384

Coding Page 416

See technical section for further information

For approvals and corresponding ratings, visit www.wago.com

THR male header ▶ MCS MINI ▶ 734 Series

Pin spacing: 3.5 mm / 0.138 inch ▶ Color: black

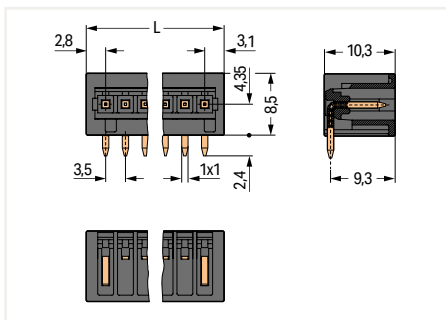
Mating direction to the PCB: 0°

Suitable for automated assembly

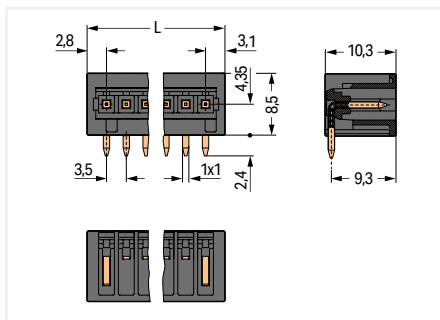


734-170/105-604

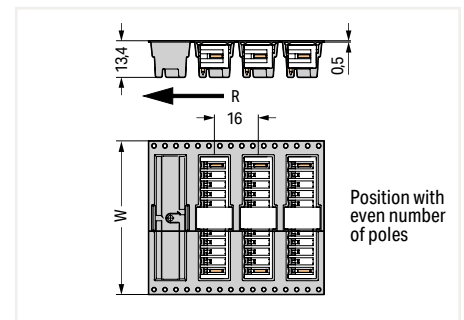
Pole No.	Item No.	PU	Pole No.	Tape width	Item No.	PU
2	734-162/105-604	200	2	32 mm	734-162/105-604/997-405	280
3	734-163/105-604	200	3	32 mm	734-163/105-604/997-405	280
4	734-164/105-604	200	4	32 mm	734-164/105-604/997-405	280
5	734-165/105-604	200	5	32 mm	734-165/105-604/997-405	280
6	734-166/105-604	100	6	56 mm	734-166/105-604/997-407	280
7	734-167/105-604	100	7	56 mm	734-167/105-604/997-407	280
8	734-168/105-604	100	8	56 mm	734-168/105-604/997-407	280
9	734-169/105-604	100	9	56 mm	734-169/105-604/997-407	280
10	734-170/105-604	100	10	56 mm	734-170/105-604/997-407	280
11	734-171/105-604	100	11	56 mm	734-171/105-604/997-407	280
12	734-172/105-604	100	12	56 mm	734-172/105-604/997-407	280
14	734-174/105-604	100	14	72 mm	734-174/105-604/997-408	280
16	734-176/105-604	50	16	72 mm	734-176/105-604/997-408	280



L = (pole no. - 1) x pin spacing + 5.9 mm

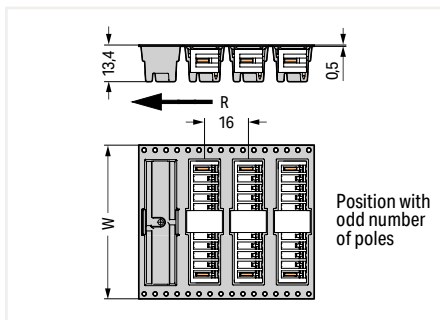


L = (pole no. - 1) x pin spacing + 5.9 mm



W = tape width
R = feed direction

Position with even number of poles



W = tape width
R = feed direction

5

PU = Packaging Unit; SPU = Subpackaging Unit; Dimensions in mm

Other versions (or variants) can be requested from WAGO Sales or configured at <https://configurator.wago.com/>.

- Other pole numbers
- Other solder pin lengths
- Gold-plated or partially gold-plated contact surfaces

THR male header ▶ MCS MINI ▶ 734 Series

Pin spacing: 3.5 mm / 0.138 inch ▶ Color: black

Mating direction to the PCB: 90°

Suitable for automated assembly



734-140/105-604

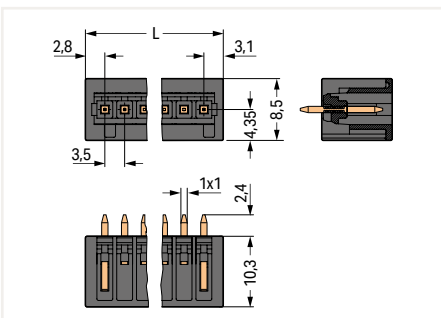


734-144/105-604/999-408

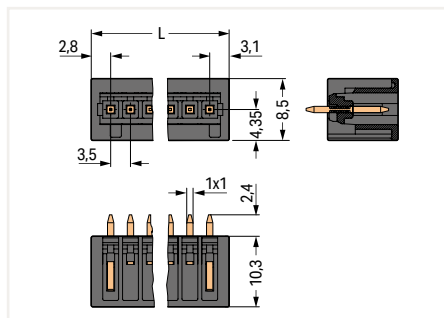
Pole No.	Item No.	PU
2	734-132/105-604	200
3	734-133/105-604	200
4	734-134/105-604	200
5	734-135/105-604	200
6	734-136/105-604	100
7	734-137/105-604	100
8	734-138/105-604	100
9	734-139/105-604	100
10	734-140/105-604	100
11	734-141/105-604	100
12	734-142/105-604	100
14	734-144/105-604	100
16	734-146/105-604	50

Pole No.	Tape width	Item No.	PU
3	32 mm	734-133/105-604/997-405	200
4	32 mm	734-134/105-604/997-405	200
5	32 mm	734-135/105-604/997-405	200
6	56 mm	734-136/105-604/997-407	200
7	56 mm	734-137/105-604/997-407	200
8	56 mm	734-138/105-604/997-407	200
9	56 mm	734-139/105-604/997-407	200
10	56 mm	734-140/105-604/997-407	200
11	56 mm	734-141/105-604/997-407	200
12	56 mm	734-142/105-604/997-407	200
14	72 mm	734-144/105-604/997-408	200
16	72 mm	734-146/105-604/997-408	200

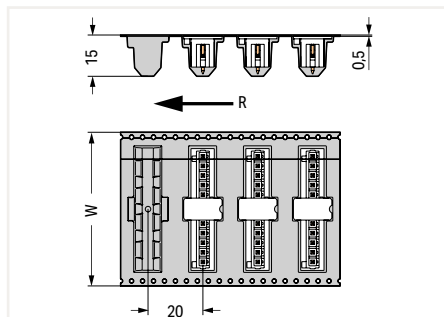
5



L = (pole no. - 1) x pin spacing + 5.9 mm



L = (pole no. - 1) x pin spacing + 5.9 mm



W = tape width
R = feed direction

PU = Packaging Unit; SPU = Subpackaging Unit; Dimensions in mm

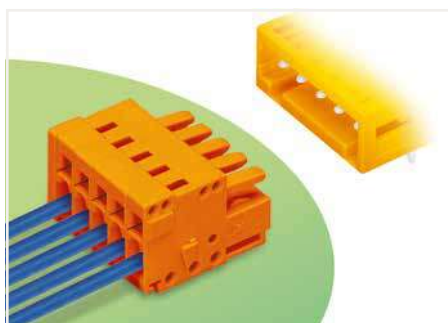
Other versions (or variants) can be requested from WAGO Sales or configured at <https://configurator.wago.com/>.

- Other pole numbers
- Other solder pin lengths
- Gold-plated or partially gold-plated contact surfaces

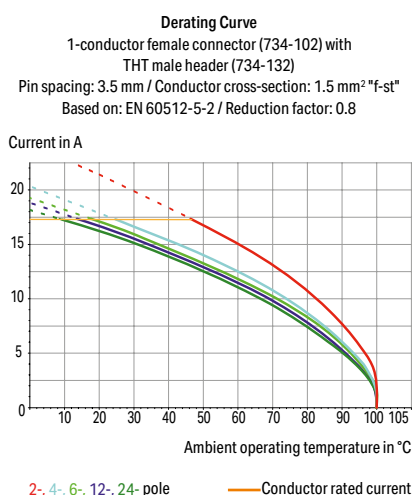
5

1-conductor female plug ▶ MCS MINI ▶ 734 Series

Pin spacing: 3.81 mm / 0.15 inch ▶ Actuation type: Operating tool ▶ CAGE CLAMP® ▶ Color: orange



- Universal connection for all conductor types
- Easy cable pre-assembly and on-unit wiring via vertical and horizontal CAGE CLAMP® actuation
- Strain relief plates and housings for field assembly
- 100% protected against mismatching
- Coding option available



Electrical Data

Ratings per	IEC/EN 60664-1		
Overvoltage category	III	III	II
Pollution degree	3	2	2
Rated voltage	160 V	160 V	320 V
Rated impulse voltage	2.5 kV	2.5 kV	2.5 kV
Rated current	10 A	10 A	10 A
Approbations per	UL 1059		
Use group	B	C	D
Rated voltage	300 V	-	300 V
Rated current	10 A	-	10 A
Approbations per	CSA		
Use group	B	C	D
Rated voltage	300 V	-	300 V
Rated current	10 A	-	10 A

Connection Data

Connection technology	CAGE CLAMP®
Strip length	6 ... 7 mm / 0.24 ... 0.28 inch
Solid conductor	0.08 ... 1.5 mm ² / 28 ... 14 AWG
Fine-stranded conductor	0.08 ... 1.5 mm ² / 28 ... 14 AWG
Fine-stranded conductor; with insulated ferrule	0.25 ... 1.5 mm ²
Fine-stranded conductor; with uninsulated ferrule	0.25 ... 1.5 mm ²
Note (conductor cross-section)	Terminating 1.5 mm ² conductors is possible; however insulation diameter does not allow clamping units to be terminated in a row.

Material Data

Material group	I
Insulation material	Polyamide (PA66)
Flammability class per UL94	V0
Clamping spring material	Chrome nickel spring steel (CrNi)
Contact material	Copper alloy
Contact plating	Tin-plated

Environmental Requirements

Limit temperature range	-60 ... +100 °C
-------------------------	-----------------

The MCS – MULTI CONNECTION SYSTEM includes connectors without breaking capacity in accordance with DIN EN 61984. When used as intended, these connectors must not be connected/disconnected when live or under load. The circuit design should ensure header pins, which can be touched, are not live when unmated.

Ferrule	Page 879
Marking	Page 864
Mounting	Page 546
Strain relief	Page 417
Test and measurement	Page 886
Tool	Page 414
Direct marking	Page 420
See technical section for further information	
For approvals and corresponding ratings, visit www.wago.com	

1-conductor female plug ▶ MCS MINI ▶ 734 Series

Pin spacing: 3.81 mm / 0.15 inch ▶ Actuation type: Operating tool ▶ CAGE CLAMP® ▶ Color: orange

Locking of plug-in connection: Locking lever

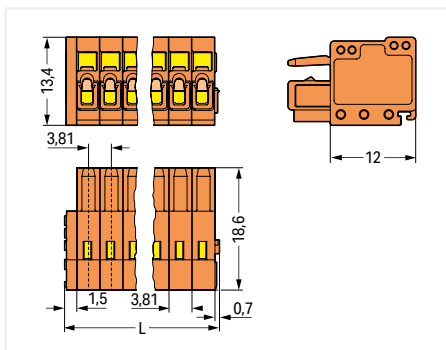


734-206

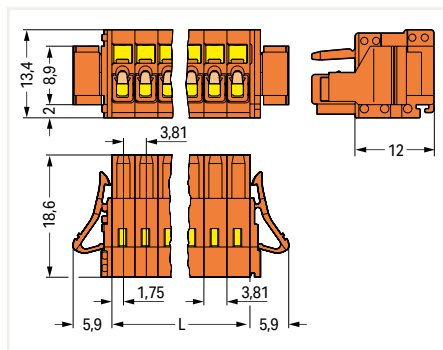
734-206/037-000

Pole No.	Item No.	PU	Pole No.	Item No.	PU
2	734-202	200	2	734-202/037-000	100
3	734-203	200	3	734-203/037-000	100
4	734-204	100	4	734-204/037-000	100
5	734-205	100	5	734-205/037-000	50
6	734-206	100	6	734-206/037-000	50
8	734-208	50	8	734-208/037-000	50
9	734-209	50	9	734-209/037-000	50
10	734-210	50	10	734-210/037-000	50
12	734-212	25	12	734-212/037-000	25
14	734-214	25	14	734-214/037-000	25
15	734-215	25	15	734-215/037-000	25
16	734-216	25	16	734-216/037-000	25
18	734-218	25	18	734-218/037-000	25
19	734-219	25	19	734-219/037-000	25
20	734-220	25	20	734-220/037-000	25

5



L = (pole no. x pin spacing) + 2.2 mm



L = pole no. x pin spacing

PU = Packaging Unit; SPU = Subpackaging Unit; Dimensions in mm

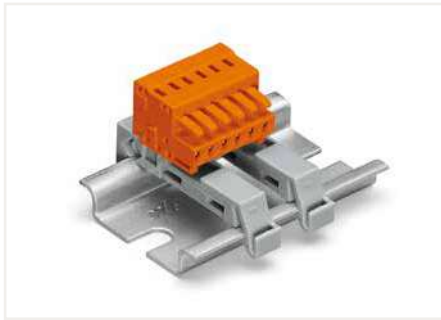
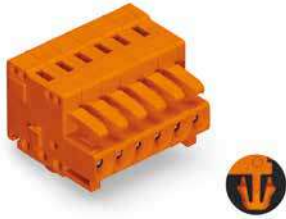
Other versions (or variants) can be requested from WAGO Sales or configured at <https://configurator.wago.com/>.

- Other pole numbers
- Gold-plated or partially gold-plated contact surfaces

1-conductor female plug ▶ MCS MINI ▶ 734 Series

Pin spacing: 3.81 mm / 0.15 inch ▶ Actuation type: Operating tool ▶ CAGE CLAMP® ▶ Color: orange

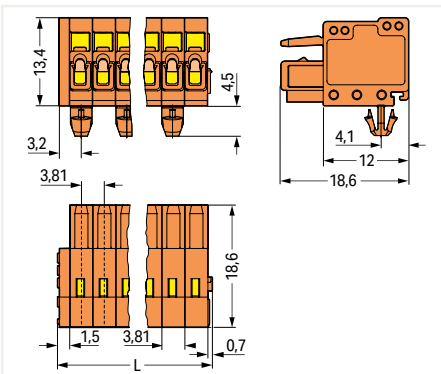
Mounting type: Panel mounting ▶ Mounting type: Snap-in foot



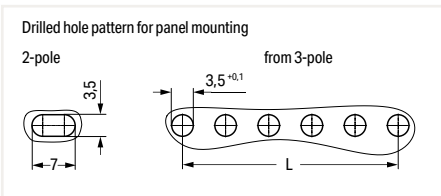
734-206/008-000

Using two DIN-35 rail mounting adapters (209-137) for 3 or more poles; distance between two mounting adapters: maximum 7 poles

Pole No.	Item No.	PU
2	734-202/008-000	200
3	734-203/008-000	200
4	734-204/008-000	100
5	734-205/008-000	100
6	734-206/008-000	100
8	734-208/008-000	50
9	734-209/008-000	50
10	734-210/008-000	50
12	734-212/008-000	50
14	734-214/008-000	50
15	734-215/008-000	25
16	734-216/008-000	25
18	734-218/008-000	25
19	734-219/008-000	25
20	734-220/008-000	25



L = pole no. x pin spacing



Even pole number: $L = (\text{pole no.} - 2) \times \text{pin spacing}$
 Odd pole number: $L = (\text{pole no.} - 1) \times \text{pin spacing}$

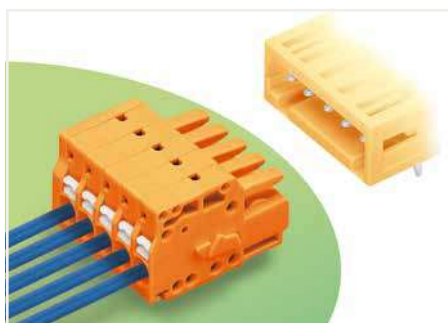
PU = Packaging Unit; SPU = Subpackaging Unit; Dimensions in mm

Other versions (or variants) can be requested from WAGO Sales or configured at <https://configurator.wago.com/>.

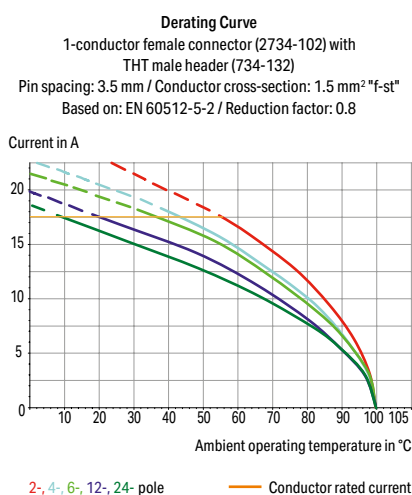
- Other pole numbers
- Gold-plated or partially gold-plated contact surfaces

1-conductor female plug ▶ MCS MINI ▶ 2734 Series

Pin spacing: 3.81 mm / 0.15 inch ▶ Actuation type: Push-button ▶ Push-in CAGE CLAMP® ▶ Color: orange



- Universal connection for all conductor types
- Easy-to-use design does not require specialty tools
- Ability to wire while mated
- Simple, push-in termination of solid and ferruled conductors
- Integrated test ports for testing parallel to the conductor entry
- 100% protected against mismatching
- Coding option available



Electrical Data

Ratings per	IEC/EN 60664-1		
Overvoltage category	III	III	II
Pollution degree	3	2	2
Rated voltage	160 V	160 V	320 V
Rated impulse voltage	2.5 kV	2.5 kV	2.5 kV
Rated current	10 A	10 A	10 A
Approbations per	UL 1059		
Use group	B	C	D
Rated voltage	300 V	-	300 V
Rated current	10 A	-	10 A
Approbations per	CSA		
Use group	B	C	D
Rated voltage	300 V	-	300 V
Rated current	10 A	-	10 A

Connection Data

Connection technology	Push-in CAGE CLAMP®
Strip length	8 ... 9 mm / 0.31 ... 0.35 inch
Solid conductor	0.2 ... 1.5 mm ² / 24 ... 16 AWG
Fine-stranded conductor	0.2 ... 1.5 mm ² / 24 ... 16 AWG
Fine-stranded conductor; with insulated ferrule	0.25 ... 0.75 mm ²
Fine-stranded conductor; with uninsulated ferrule	0.25 ... 1.5 mm ²

Material Data

Material group	I
Insulation material	Polyamide (PA66)
Flammability class per UL94	V0
Clamping spring material	Chrome nickel spring steel (CrNi)
Contact material	Copper alloy
Contact plating	Tin-plated

Environmental Requirements

Limit temperature range	-60 ... +100 °C
-------------------------	-----------------

The MCS – MULTI CONNECTION SYSTEM includes connectors without breaking capacity in accordance with DIN EN 61984. When used as intended, these connectors must not be connected/disconnected when live or under load. The circuit design should ensure header pins, which can be touched, are not live when unmated.

Ferrule	Page 879
Mounting	Page 869
Strain relief	Page 417
Tool	Page 414, 870
Direct marking	Page 420
Cutout dimensions	Page 422
See technical section for further information	
For approvals and corresponding ratings, visit www.wago.com	

1-conductor female plug ▶ MCS MINI ▶ 2734 Series

Pin spacing: 3.81 mm / 0.15 inch ▶ Actuation type: Push-button ▶ Push-in CAGE CLAMP® ▶ Color: orange

Locking of plug-in connection: Locking lever

Mounting type: Feed-through mounting; Panel mounting
▶ Mounting type: Mounting flange



2734-206

2734-206/037-000

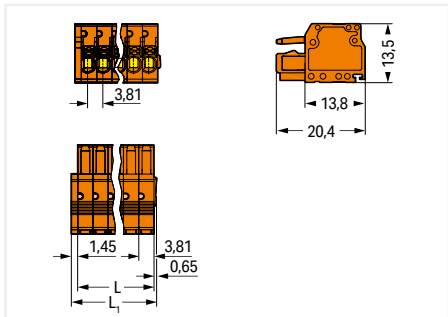
2734-206/031-000

Pole No.	Item No.	PU
2	2734-202	200
3	2734-203	200
4	2734-204	100
5	2734-205	100
6	2734-206	100
8	2734-208	50
9	2734-209	50
10	2734-210	50
12	2734-212	25
14	2734-214	25
15	2734-215	25
16	2734-216	25
18	2734-218	25
19	2734-219	25
20	2734-220	25

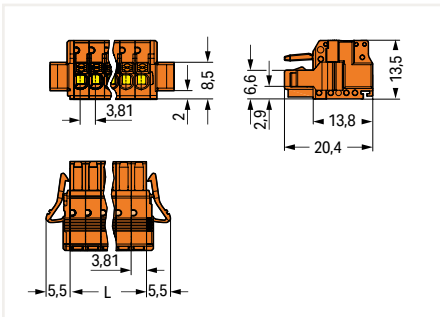
Pole No.	Item No.	PU
2	2734-202/037-000	100
3	2734-203/037-000	100
4	2734-204/037-000	100
5	2734-205/037-000	50
6	2734-206/037-000	50
8	2734-208/037-000	50
9	2734-209/037-000	50
10	2734-210/037-000	50
12	2734-212/037-000	25
14	2734-214/037-000	25
15	2734-215/037-000	25
16	2734-216/037-000	25
18	2734-218/037-000	25
19	2734-219/037-000	25
20	2734-220/037-000	25

Pole No.	Item No.	PU
2	2734-202/031-000	100
3	2734-203/031-000	100
4	2734-204/031-000	50
5	2734-205/031-000	50
6	2734-206/031-000	50
8	2734-208/031-000	50
9	2734-209/031-000	50
10	2734-210/031-000	50
12	2734-212/031-000	25
14	2734-214/031-000	25
16	2734-216/031-000	25
20	2734-220/031-000	25

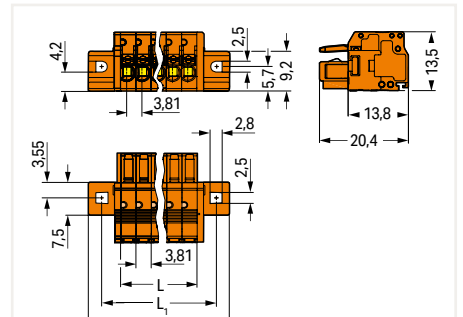
5



L = pole no. x pin spacing
L₁ = (pole no. x pin spacing) + 2.1 mm



L = pole no. x pin spacing



L = pole no. x pin spacing
L₁ = (pole no. x pin spacing) + 8.8 mm
L₂ = (pole no. x pin spacing) + 14.8 mm

PU = Packaging Unit; SPU = Subpackaging Unit; Dimensions in mm

Other versions (or variants) can be requested from WAGO Sales or configured at <https://configurator.wago.com/>.

- Other pole numbers
- Gold-plated or partially gold-plated contact surfaces

1-conductor female plug ▶ MCS MINI ▶ 2734 Series

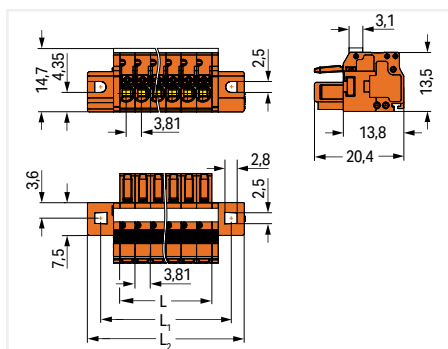
Pin spacing: 3.81 mm / 0.15 inch ▶ Actuation type: Push-button ▶ Push-in CAGE CLAMP® ▶ Color: orange

Mounting type: Feed-through mounting; Panel mounting
▶ Mounting type: Mounting flange ▶ with reinforcing strips



2734-210/027-000

Pole No.	Item No.	PU
10	2734-210/027-000	50
12	2734-212/027-000	25
14	2734-214/027-000	25
15	2734-215/027-000	25
16	2734-216/027-000	25
18	2734-218/027-000	25
19	2734-219/027-000	25
20	2734-220/027-000	25



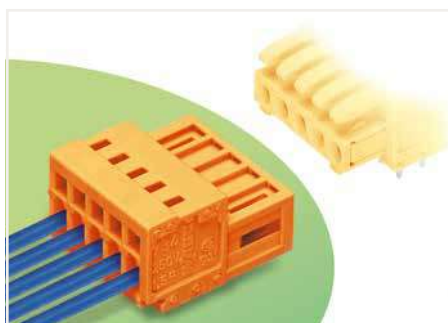
PU = Packaging Unit; SPU = Subpackaging Unit; Dimensions in mm

Other versions (or variants) can be requested from WAGO Sales or configured at <https://configurator.wago.com/>.

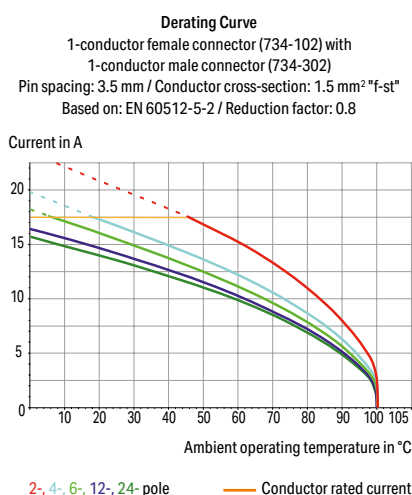
- Other pole numbers
- Gold-plated or partially gold-plated contact surfaces

1-conductor male connector ▶ MCS MINI ▶ 734 Series

Pin spacing: 3.81 mm / 0.15 inch ▶ Actuation type: Operating tool ▶ CAGE CLAMP® ▶ Color: orange



- Universal connection for all conductor types
- Easy cable pre-assembly and on-unit wiring via vertical and horizontal CAGE CLAMP® actuation
- For wire-to-wire and board-to-wire connections
- Strain relief plates and housings for factory and field assembly
- 100% protected against mismatching
- Coding option available



Electrical Data

Ratings per	IEC/EN 60664-1		
Overvoltage category	III	III	II
Pollution degree	3	2	2
Rated voltage	160 V	160 V	320 V
Rated impulse voltage	2.5 kV	2.5 kV	2.5 kV
Rated current	10 A	10 A	10 A
Approbations per	UL 1059		
Use group	B	C	D
Rated voltage	300 V	-	300 V
Rated current	10 A	-	10 A
Approbations per	CSA		
Use group	B	C	D
Rated voltage	300 V	-	300 V
Rated current	10 A	-	10 A

Connection Data

Connection technology	CAGE CLAMP®
Strip length	6 ... 7 mm / 0.24 ... 0.28 inch
Solid conductor	0.08 ... 1.5 mm ² / 28 ... 14 AWG
Fine-stranded conductor	0.08 ... 1.5 mm ² / 28 ... 14 AWG
Fine-stranded conductor; with insulated ferrule	0.25 ... 1.5 mm ²
Fine-stranded conductor; with uninsulated ferrule	0.25 ... 1.5 mm ²
Note (conductor cross-section)	Terminating 1.5 mm ² conductors is possible; however insulation diameter does not allow clamping units to be terminated in a row.

Material Data

Material group	I
Insulation material	Polyamide (PA66)
Flammability class per UL94	V0
Clamping spring material	Chrome nickel spring steel (CrNi)
Contact material	Electrolytic copper (E _{cu})
Contact plating	Tin-plated

Environmental Requirements

Limit temperature range	-60 ... +100 °C
-------------------------	-----------------

The MCS – MULTI CONNECTION SYSTEM includes connectors without breaking capacity in accordance with DIN EN 61984. When used as intended, these connectors must not be connected/disconnected when live or under load. The circuit design should ensure header pins, which can be touched, are not live when unmated.

Coding	Page 416
Cover	Page 415
Ferrule	Page 879
Marking	Page 864
Mounting	Page 546, 869
Strain relief	Page 417
Test and measurement	Page 886
Tool	Page 414, 870
Direct marking	Page 420
Cutout dimensions	Page 422
See technical section for further information	
For approvals and corresponding ratings, visit www.wago.com	

1-conductor male connector ▶ MCS MINI ▶ 734 Series

Pin spacing: 3.81 mm / 0.15 inch ▶ Actuation type: Operating tool ▶ CAGE CLAMP® ▶ Color: orange

Mounting type: Feed-through mounting; Panel mounting
▶ Mounting type: Mounting flange

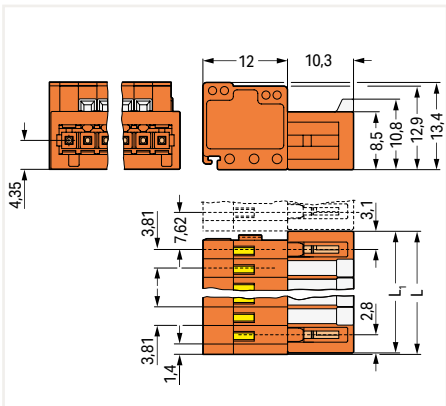


734-336

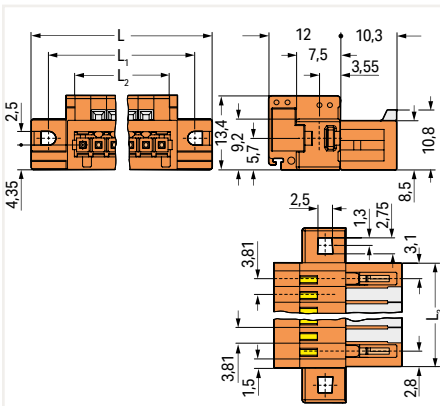
734-336/019-000

Pole No.	Item No.	PU
2	734-332	200
3	734-333	200
4	734-334	100
5	734-335	100
6	734-336	100
8	734-338	50
9	734-339	50
10	734-340	50
12	734-342	50
14	734-344	50
15	734-345	25
16	734-346	25
18	734-348	25
19	734-349	25
20	734-350	25

Pole No.	Item No.	PU
2	734-332/019-000	100
3	734-333/019-000	100
4	734-334/019-000	50
5	734-335/019-000	50
6	734-336/019-000	50
8	734-338/019-000	50
9	734-339/019-000	50
10	734-340/019-000	50
12	734-342/019-000	25
14	734-344/019-000	25
15	734-345/019-000	25
16	734-346/019-000	25
18	734-348/019-000	25
19	734-349/019-000	25
20	734-350/019-000	25



$L = (\text{pole no.} - 1) \times \text{pin spacing} + 5.9 \text{ mm} + 0.45 \text{ mm}$
 $L_1 = L - 0.45 \text{ mm}$



$L = (\text{pole no.} \times \text{pin spacing}) + 14.8 \text{ mm}$
 $L_1 = (\text{pole no.} \times \text{pin spacing}) + 8.8 \text{ mm}$
 $L_2 = \text{pole no.} \times \text{pin spacing}$
 $L_3 = (\text{pole no.} - 1) \times \text{pin spacing} + 5.9 \text{ mm}$

PU = Packaging Unit; SPU = Subpackaging Unit; Dimensions in mm

Other versions (or variants) can be requested from WAGO Sales or configured at <https://configurator.wago.com/>.

- Other pole numbers
- Gold-plated or partially gold-plated contact surfaces

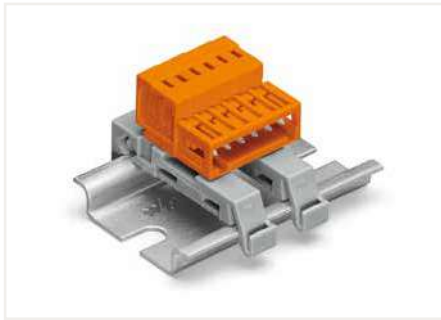
1-conductor male connector ▶ MCS MINI ▶ 734 Series

Pin spacing: 3.81 mm / 0.15 inch ▶ Actuation type: Operating tool ▶ CAGE CLAMP® ▶ Color: orange

Mounting type: Panel mounting ▶ Mounting type: Snap-in foot



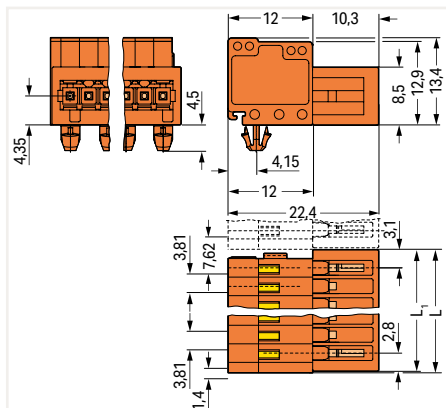
734-336/018-000



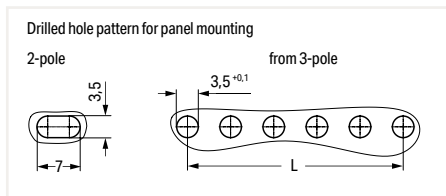
Using two DIN-35 rail mounting adapters (209-137) for 3 or more poles; distance between two mounting adapters: maximum 7 poles

Pole No.	Item No.	PU
2	734-332/018-000	200
3	734-333/018-000	100
4	734-334/018-000	100
5	734-335/018-000	100
6	734-336/018-000	100
8	734-338/018-000	50
9	734-339/018-000	50
10	734-340/018-000	50
12	734-342/018-000	50
14	734-344/018-000	50
15	734-345/018-000	25
16	734-346/018-000	25
18	734-348/018-000	25
19	734-349/018-000	25
20	734-350/018-000	25

5



$L = (\text{pole no.} - 1) \times \text{pin spacing} + 5.9 \text{ mm} + 0.45 \text{ mm}$
 $L_1 = L - 0.45 \text{ mm}$



Even pole number: $L = (\text{pole no.} - 2) \times \text{pin spacing}$
 Odd pole number: $L = (\text{pole no.} - 1) \times \text{pin spacing}$

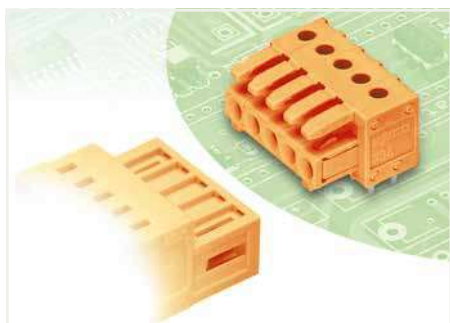
PU = Packaging Unit; SPU = Subpackaging Unit; Dimensions in mm

Other versions (or variants) can be requested from WAGO Sales or configured at <https://configurator.wago.com/>.

- Other pole numbers
- Gold-plated or partially gold-plated contact surfaces

THT female header ▶ MCS MINI ▶ 734 Series

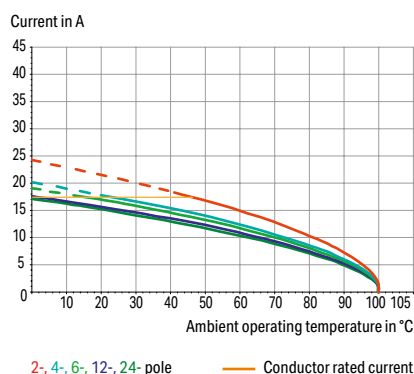
Pin spacing: 3.81 mm / 0.15 inch ▶ Solder pin length: 3.8 mm ▶ Color: orange



- Horizontal or vertical PCB mounting via straight or angled solder pins
- Integrated test ports for 2 mm Ø test plugs
- For board-to-board and board-to-wire connections
- Touch-proof PCB outputs
- Easy-to-identify inputs and outputs
- 100% protected against mismatching
- Coding option available

Derating CurveTHT female header (734-532) with
1-conductor male connector (734-302)Pin spacing: 3.5 mm / Conductor cross-section: 1.5 mm² "f-st"

Based on: EN 60512-5-2 / Reduction factor: 0.8

**Electrical Data**

Ratings per	IEC/EN 60664-1		
Overvoltage category	III	III	II
Pollution degree	3	2	2
Rated voltage	160 V	160 V	320 V
Rated impulse voltage	2.5 kV	2.5 kV	2.5 kV
Rated current	10 A	10 A	10 A
Approbations per	UL 1059		
Use group	B	C	D
Rated voltage	300 V	-	300 V
Rated current	10 A	-	10 A
Approbations per	CSA		
Use group	B	C	D
Rated voltage	300 V	-	300 V
Rated current	10 A	-	10 A

Material Data

Material group	I
Insulation material	Polyamide (PA66)
Flammability class per UL94	V0
Contact material	Copper alloy
Contact plating	Tin-plated

Mechanical Data

Solder pin arrangement	Over the entire female connector (in-line)
Solder pin length	3.8 mm
Solder pin dimensions	0.9 x 0.9 mm
Drilled hole diameter with tolerance	1.4 ^(+0.1) mm

Environmental Requirements

Limit temperature range	-60 ... +100 °C
-------------------------	-----------------

The MCS – MULTI CONNECTION SYSTEM includes connectors without breaking capacity in accordance with DIN EN 61984. When used as intended, these connectors must not be connected/disconnected when live or under load. The circuit design should ensure header pins, which can be touched, are not live when unmated.

See technical section for further information

For approvals and corresponding ratings, visit www.wago.com

THT female header ▶ MCS MINI ▶ 734 Series

Pin spacing: 3.81 mm / 0.15 inch ▶ Solder pin length: 3.8 mm ▶ Color: orange

Mating direction to the PCB: 0°

Mating direction to the PCB: 90°

Locking of plug-in connection: Locking lever ▶ Mating direction to the PCB: 0°



734-566

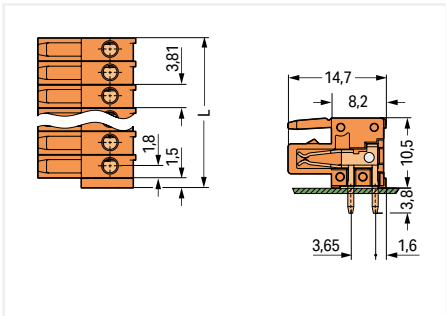
734-506

734-566/037-000

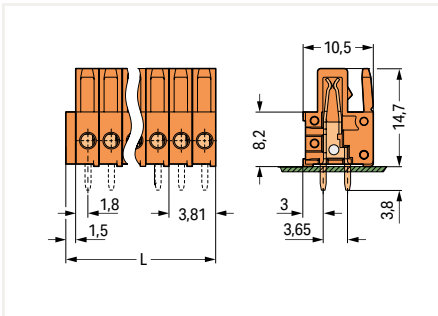
Pole No.	Item No.	PU
2	734-562	200
3	734-563	200
4	734-564	100
5	734-565	100
6	734-566	100
8	734-568	50
9	734-569	50
10	734-570	50
12	734-572	25
14	734-574	25
15	734-575	25
16	734-576	25
20	734-580	25

Pole No.	Item No.	PU
2	734-502	200
3	734-503	200
4	734-504	100
5	734-505	100
6	734-506	100
8	734-508	50
9	734-509	50
10	734-510	50
12	734-512	25
14	734-514	25
15	734-515	25
16	734-516	25
20	734-520	25

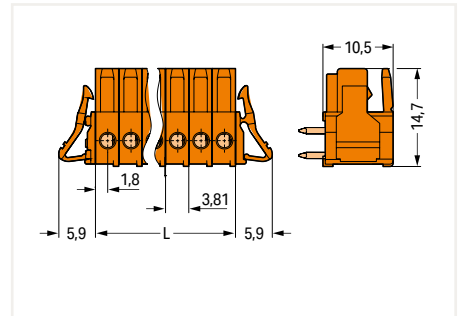
Pole No.	Item No.	PU
2	734-562/037-000	100
3	734-563/037-000	100
4	734-564/037-000	100
5	734-565/037-000	50
6	734-566/037-000	50
8	734-568/037-000	50
9	734-569/037-000	50
10	734-570/037-000	50
12	734-572/037-000	25
14	734-574/037-000	25
15	734-575/037-000	25
16	734-576/037-000	25
20	734-580/037-000	25



L = (pole no. x pin spacing) + 1.5 mm



L = (pole no. x pin spacing) + 1.5 mm



L = pole no. x pin spacing

5

PU = Packaging Unit; SPU = Subpackaging Unit; Dimensions in mm

Other versions (or variants) can be requested from WAGO Sales or configured at <https://configurator.wago.com/>.

- Other pole numbers
- Gold-plated or partially gold-plated contact surfaces

THT female header ▶ MCS MINI ▶ 734 Series

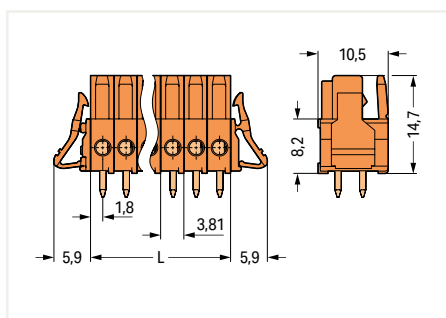
Pin spacing: 3.81 mm / 0.15 inch ▶ Solder pin length: 3.8 mm ▶ Color: orange

Locking of plug-in connection: Locking lever ▶ Mating direction to the PCB: 90 °



734-506/037-000

Pole No.	Item No.	PU
2	734-502/037-000	100
3	734-503/037-000	100
4	734-504/037-000	100
5	734-505/037-000	50
6	734-506/037-000	50
8	734-508/037-000	50
9	734-509/037-000	50
10	734-510/037-000	50
12	734-512/037-000	25
14	734-514/037-000	25
15	734-515/037-000	25
16	734-516/037-000	25
20	734-520/037-000	25



L = pole no. x pin spacing

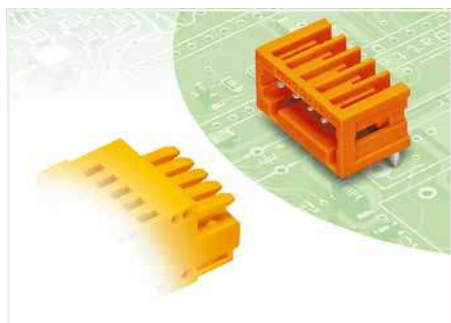
PU = Packaging Unit; SPU = Subpackaging Unit; Dimensions in mm

Other versions (or variants) can be requested from WAGO Sales or configured at <https://configurator.wago.com/>.

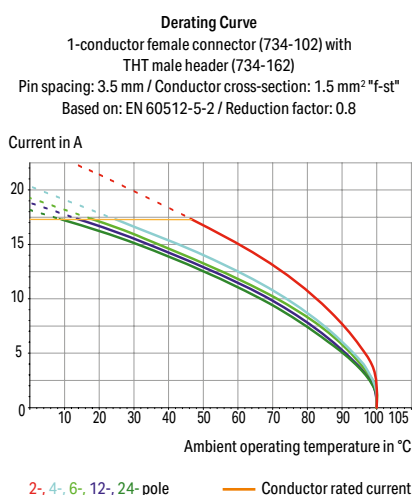
- Other pole numbers
- Gold-plated or partially gold-plated contact surfaces

THT male header ▶ MCS MINI ▶ 734 Series

Pin spacing: 3.81 mm / 0.15 inch ▶ Color: orange



- Horizontal or vertical PCB mounting via straight or angled solder pins
- 100% protected against mismatching; only mating halves with the same number of poles can be connected together
- Coding option available



Electrical Data

Ratings per		IEC/EN 60664-1		
Overvoltage category		III	III	II
Pollution degree		3	2	2
Rated voltage		160 V	160 V	320 V
Rated impulse voltage		2.5 kV	2.5 kV	2.5 kV
Rated current		10 A	10 A	10 A
Approbations per		UL 1059		
Use group		B	C	D
Rated voltage		300 V	-	300 V
Rated current		10 A	-	10 A
Approbations per		CSA		
Use group		B	C	D
Rated voltage		300 V	-	300 V
Rated current		10 A	-	10 A

Material Data

Material group	I
Insulation material	Polyamide (PA66)
Flammability class per UL94	V0
Contact material	Electrolytic copper (E _{cu})
Contact plating	Tin-plated

Mechanical Data

Solder pin arrangement	Over the entire male connector (in-line)
Solder pin dimensions	1 x 1 mm
Drilled hole diameter with tolerance	1.4 ^(+0.1) mm

Environmental Requirements

Limit temperature range	-60 ... +100 °C
-------------------------	-----------------

The MCS – MULTI CONNECTION SYSTEM includes connectors without breaking capacity in accordance with DIN EN 61984. When used as intended, these connectors must not be connected/disconnected when live or under load. The circuit design should ensure header pins, which can be touched, are not live when unmated.

Coding Page 416

See technical section for further information

For approvals and corresponding ratings, visit www.wago.com

THT male header ▶ MCS MINI ▶ 734 Series

Pin spacing: 3.81 mm / 0.15 inch ▶ Color: orange

Mating direction to the PCB: 0° ▶ Solder pin length: 3.8 mm

Mating direction to the PCB: 90° ▶ Solder pin length: 4.5 mm

Double-deck ▶ Mating direction to the PCB: 0° ▶ Solder pin length: 3.6 mm



734-266

734-236

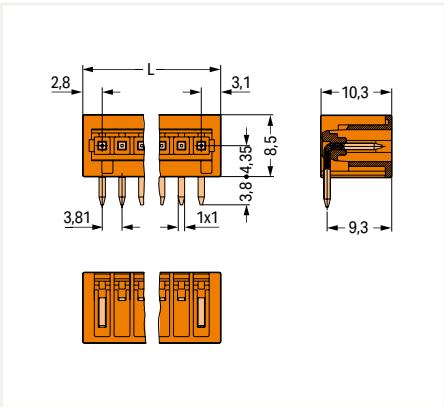
734-436

Pole No.	Item No.	PU
2	734-262	200
3	734-263	200
4	734-264	200
5	734-265	200
6	734-266	100
8	734-268	100
9	734-269	100
10	734-270	100
12	734-272	100
14	734-274	100
15	734-275	100
16	734-276	50
18	734-278	50
19	734-279	50
20	734-280	50

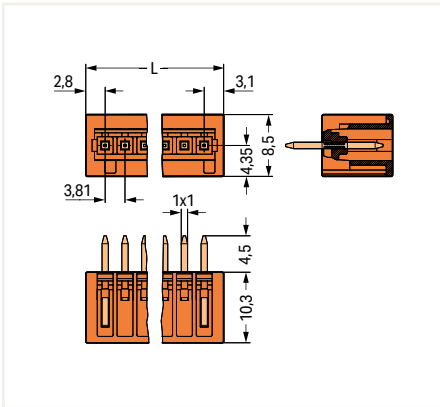
Pole No.	Item No.	PU
2	734-232	200
3	734-233	200
4	734-234	200
5	734-235	200
6	734-236	100
8	734-238	100
9	734-239	100
10	734-240	100
12	734-242	100
14	734-244	100
15	734-245	100
16	734-246	50
18	734-248	50
19	734-249	50
20	734-250	50

Pole No.	Item No.	PU
4	734-432	100
6	734-433	100
8	734-434	100
10	734-435	100
12	734-436	100
14	734-437	50
16	734-438	50
18	734-439	50
20	734-440	50
24	734-442	50

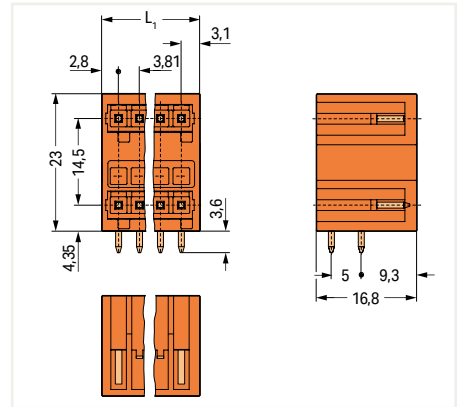
5



$L = (\text{pole no.} - 1) \times \text{pin spacing} + 5.9 \text{ mm}$



$L = (\text{pole no.} - 1) \times \text{pin spacing} + 5.9 \text{ mm}$



$L_1 = (\text{pole no.}/2 - 1) \times \text{pin spacing} + 5.9 \text{ mm}$

PU = Packaging Unit; SPU = Subpackaging Unit; Dimensions in mm

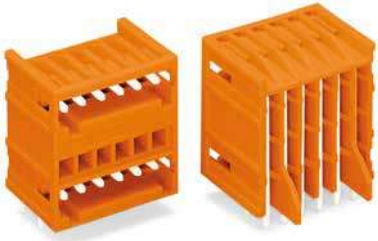
Other versions (or variants) can be requested from WAGO Sales or configured at <https://configurator.wago.com/>.

- Other pole numbers
- Gold-plated or partially gold-plated contact surfaces

THT male header ▶ MCS MINI ▶ 734 Series

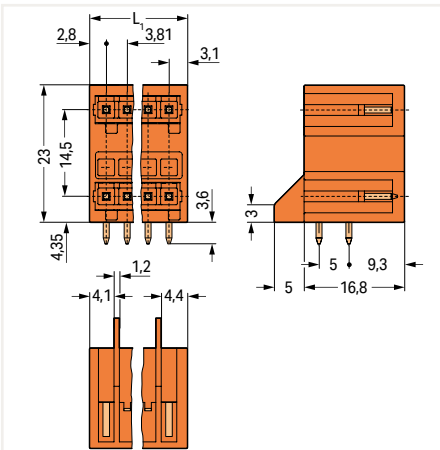
Pin spacing: 3.81 mm / 0.15 inch ▶ Color: orange

Double-deck with support ▶ Mating direction to the PCB:
0° ▶ Solder pin length: 3.6 mm



734-436/001-000

Pole No.	Item No.	PU
4	734-432/001-000	100
6	734-433/001-000	100
7	734-437/001-000	50
8	734-434/001-000	100
10	734-435/001-000	100
12	734-436/001-000	50
16	734-438/001-000	50
18	734-439/001-000	50
20	734-440/001-000	50
24	734-442/001-000	50



$L_1 = (\text{pole no.}/2 - 1) \times \text{pin spacing} + 5.9 \text{ mm}$

PU = Packaging Unit; SPU = Subpackaging Unit; Dimensions in mm

Other versions (or variants) can be requested from WAGO Sales or configured at <https://configurator.wago.com/>.

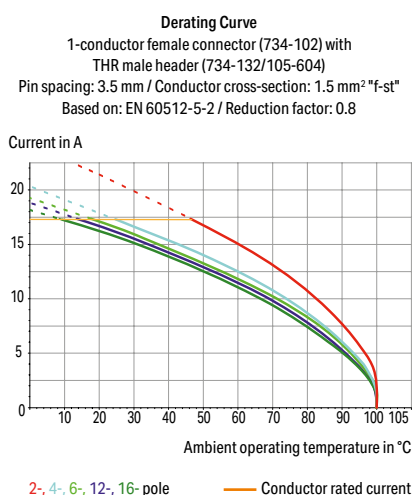
- Other pole numbers
- Gold-plated or partially gold-plated contact surfaces

THR male header ▶ MCS MINI ▶ 734 Series

Pin spacing: 3.81 mm / 0.15 inch ▶ Color: black



- THR male headers for reflow soldering in SMT applications
- Available in tape-and-reel packaging for automated pick-and-place PCB assembly
- Optimal thermal penetration via pin enclosure design provides lower soldering temperatures
- 100% protected against mismatching
- Coding via coding fingers



Electrical Data

Ratings per	IEC/EN 60664-1		
Overvoltage category	III	III	II
Pollution degree	3	2	2
Rated voltage	160 V	160 V	320 V
Rated impulse voltage	2.5 kV	2.5 kV	2.5 kV
Rated current	10 A	10 A	10 A
Approbations per	UL 1059		
Use group	B	C	D
Rated voltage	300 V	-	300 V
Rated current	10 A	-	10 A
Approbations per	CSA		
Use group	B	C	D
Rated voltage	300 V	-	300 V
Rated current	10 A	-	10 A

Material Data

Material group	I
Insulation material	Polyphthalamide (PPA GF)
Flammability class per UL94	V0
Contact material	Electrolytic copper (E _{cu})
Contact plating	Tin-plated

Mechanical Data

Solder pin arrangement	Over the entire male connector (in-line)
Solder pin length	2.4 mm
Solder pin dimensions	1 x 1 mm
Plated through-hole diameter (THR)	1.4 ^(±0.1) mm

Environmental Requirements

Limit temperature range	-60 ... +100 °C
-------------------------	-----------------

The MCS – MULTI CONNECTION SYSTEM includes connectors without breaking capacity in accordance with DIN EN 61984. When used as intended, these connectors must not be connected/disconnected when live or under load. The circuit design should ensure header pins, which can be touched, are not live when unmated.

THR soldering Page 384

Coding Page 416

See technical section for further information

For approvals and corresponding ratings, visit www.wago.com

THR male header ▶ MCS MINI ▶ 734 Series

Pin spacing: 3.81 mm / 0.15 inch ▶ Color: black

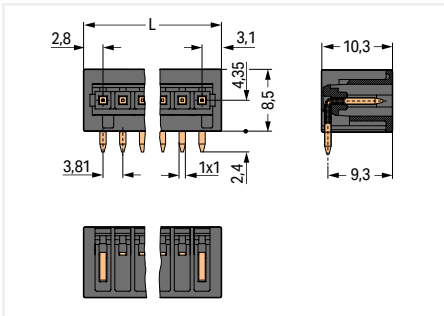
Mating direction to the PCB: 0°

Suitable for automated assembly

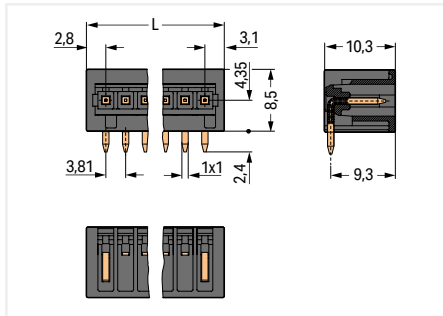


Pole No.	Item No.	PU	Pole No.	Tape width	Item No.	PU
2	734-262/105-604	200	2	32 mm	734-262/105-604/997-405	280
3	734-263/105-604	200	3	32 mm	734-263/105-604/997-405	280
4	734-264/105-604	200	4	32 mm	734-264/105-604/997-405	280
5	734-265/105-604	200	5	56 mm	734-265/105-604/997-407	280
6	734-266/105-604	100	6	56 mm	734-266/105-604/997-407	280
8	734-268/105-604	100	8	56 mm	734-268/105-604/997-407	280
9	734-269/105-604	100	9	56 mm	734-269/105-604/997-407	280
10	734-270/105-604	100	10	56 mm	734-270/105-604/997-407	280
12	734-272/105-604	100	12	72 mm	734-272/105-604/997-408	280

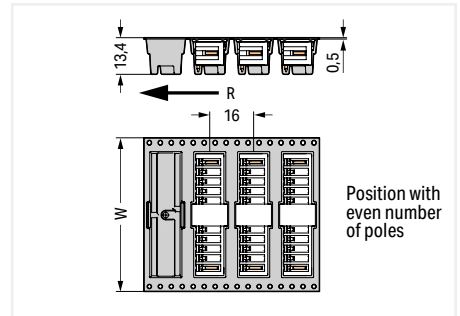
5



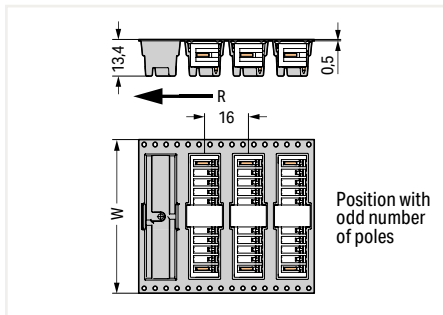
$L = (\text{pole no.} - 1) \times \text{pin spacing} + 5.9 \text{ mm}$



$L = (\text{pole no.} - 1) \times \text{pin spacing} + 5.9 \text{ mm}$



W = tape width
R = feed direction



W = tape width
R = feed direction

PU = Packaging Unit; SPU = Subpackaging Unit; Dimensions in mm

Other versions (or variants) can be requested from WAGO Sales or configured at <https://configurator.wago.com/>.

- Other pole numbers
- Other solder pin lengths
- Gold-plated or partially gold-plated contact surfaces

THR male header ▶ MCS MINI ▶ 734 Series

Pin spacing: 3.81 mm / 0.15 inch ▶ Color: black

Mating direction to the PCB: 90°

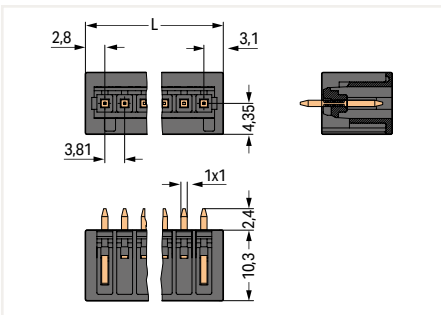
Suitable for automated assembly



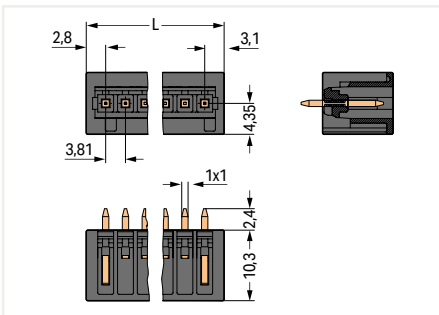
Pole No.	Item No.	PU
2	734-232/105-604	200
3	734-233/105-604	200
4	734-234/105-604	200
5	734-235/105-604	200
6	734-236/105-604	100
8	734-238/105-604	100
9	734-239/105-604	100
10	734-240/105-604	100
12	734-242/105-604	100

Pole No.	Tape width	Item No.	PU
2	32 mm	734-232/105-604/997-405	200
3	32 mm	734-233/105-604/997-405	200
4	32 mm	734-234/105-604/997-405	200
5	56 mm	734-235/105-604/997-407	200
6	56 mm	734-236/105-604/997-407	200
8	56 mm	734-238/105-604/997-407	200
10	56 mm	734-240/105-604/997-407	200
12	72 mm	734-242/105-604/997-408	200

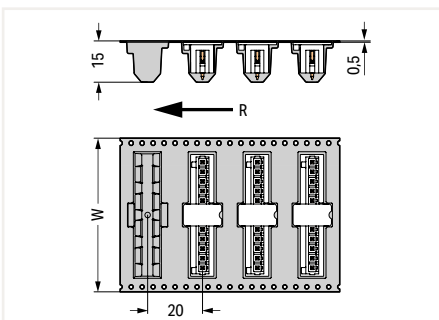
5



$$L = (\text{pole no.} - 1) \times \text{pin spacing} + 5.9 \text{ mm}$$



$$L = (\text{pole no.} - 1) \times \text{pin spacing} + 5.9 \text{ mm}$$



W = tape width
R = feed direction

PU = Packaging Unit; SPU = Subpackaging Unit; Dimensions in mm

Other versions (or variants) can be requested from WAGO Sales or configured at <https://configurator.wago.com/>.

- Other pole numbers
- Other solder pin lengths
- Gold-plated or partially gold-plated contact surfaces

Operating tools MCS MINI



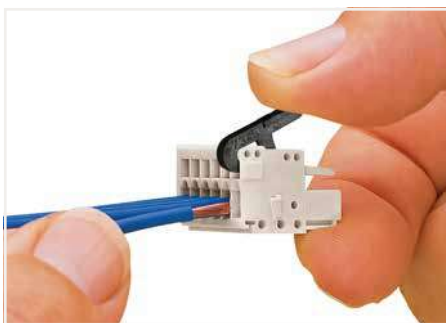
Operating lever, for male and female connectors with CAGE CLAMP® connection

Color	Item No.	PU (SPU)
○ natural	734-230	100 (25)
● black	734-191	100 (25)

Operating tool, for male and female connectors with CAGE CLAMP® connection

Color	Item No.	PU (SPU)
○ natural	734-190	100 (25)
● black	734-231	100 (25)

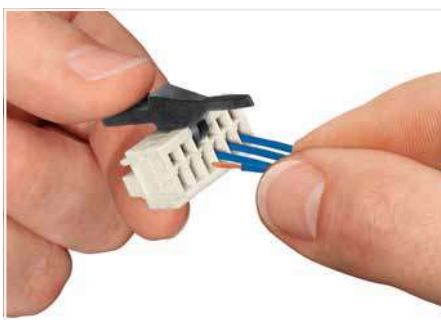
5



Inserting a conductor via operating lever.



Conductor termination parallel to CAGE CLAMP® actuation



Conductor termination perpendicular to CAGE CLAMP® actuation

Insulation Stop and Finger Guard MCS MINI



Insulation stop, for conductor cross-sections from 0.08 ... 0.2 mm² "s" (0.14 mm² "f-st")
8 pcs/strip, 3.5 mm pin spacing

Color	Item No.	PU (SPU)
○ white	734-671	200 (25)

Finger guard, for THT male headers, 4-pole, 3.5/8.81 mm pin spacing

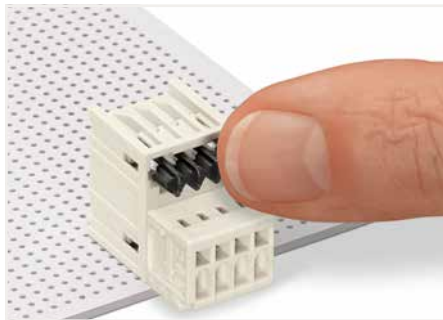
Color	Item No.	PU (SPU)
● black	734-420	100 (25)



Conductors with small cross-sections are highly flexible, and they deform when pushed against the conductor stop in connectors. As a result, the conductor insulation – not the copper conductor – may be clamped, causing intermittent contact or no contact at all.
The solution: an insulation stop for CAGE CLAMP®-equipped 734 Series Male and Female Connectors.



Finger guards provide touch-proof protection (IP20).



Insert the finger guard into the male header to be protected.



Cut finger guard to the required number of poles.
Do not use single-pole covers!

PU = Packaging Unit; SPU = Subpackaging Unit; Dimensions in mm

Coding Keys MCS MINI



Coding key; for male headers;
3.5/3.81 mm pin spacing

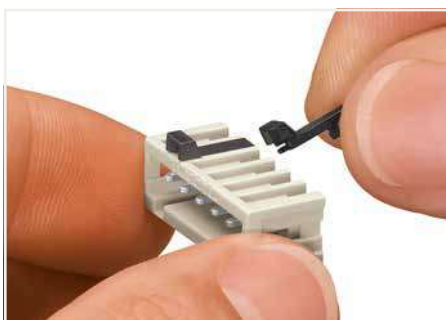
Color	Item No.	PU
○ white	734-130	100
● black*	734-159	100

Coding key; for double-deck THT male headers;
to be snapped in bottom level; 3.5/3.81 mm pin spacing

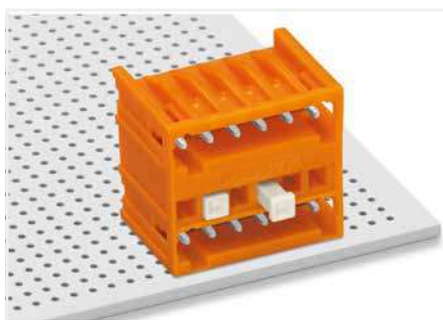
Color	Item No.	PU
○ light gray	734-400	100

*suitable for THR soldering

5



Coding a male header via snap-on coding keys.



Coding a THT double-deck male header – lower level.

Strain Relief Plates MCS MINI



Strain relief plate; for field assembly; for male and female connectors with CAGE CLAMP® and Push-in CAGE CLAMP® connection; light gray; 3.5 mm pin spacing

Pole No.	Width	Item No.	PU (SPU)
2 ... 3	6 mm	734-127	100 (25)
4 ... 8	12.5 mm	734-128	100 (25)
9 ... 12	25 mm	734-129	100 (25)
13 ... 16	35 mm	734-126	100 (25)
17 ... max.	55 mm	734-426	50 (25)

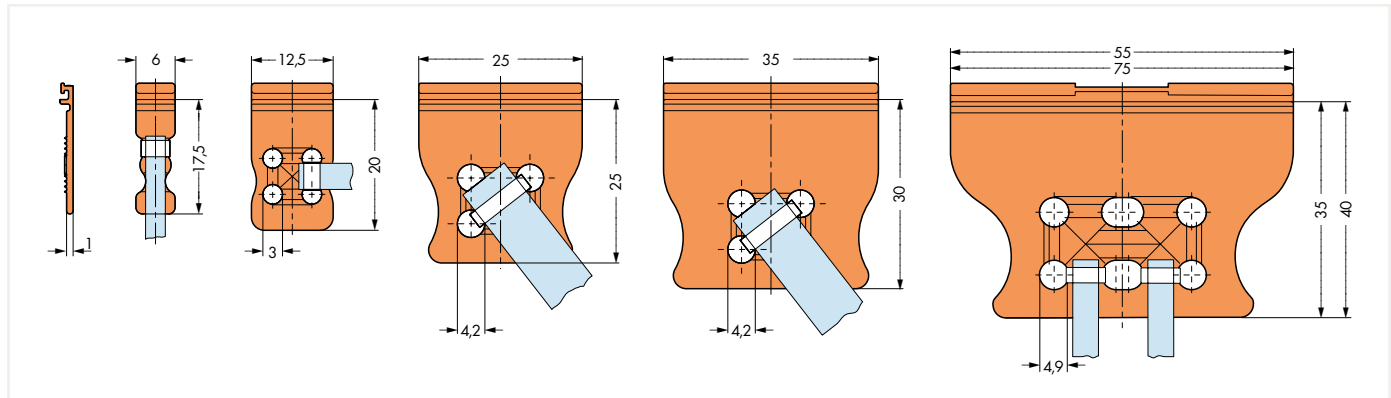
Strain relief plate; for field assembly; for male and female connectors with CAGE CLAMP® and Push-in CAGE CLAMP® connection; orange; 3.81 mm pin spacing

Pole No.	Width	Item No.	PU (SPU)
2 ... 3	6 mm	734-227	100 (25)
4 ... 8	12.5 mm	734-228	100 (25)
9 ... 12	25 mm	734-229	100 (25)
13 ... 16	35 mm	734-226	100 (25)
17 ... max.	55 mm	734-428	50 (25)

Strain relief plate; factory-assembled; for male and female connectors with CAGE CLAMP® and Push-in CAGE CLAMP® connection; light gray

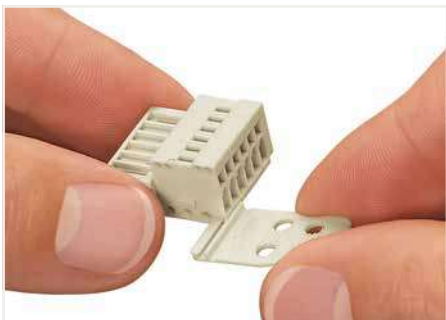
Pole No.	Width	Item No. Suffix *
2 ... 3	6 mm	.../032-000
4 ... 8	12.5 mm	.../033-000
9 ... 12	25 mm	.../034-000
13 ... 16	35 mm	.../035-000
17 ... max.	55 mm	.../036-000

*An "item no. suffix," referring to the width of the strain relief plate, is added to the "basic item no." and determines the type of male or female connector.



The arrangement of the attachments for cable ties allows single conductors or multi-core cables to be secured in different ways. The width of the cable ties must correspond to the hole dimensions of the strain relief plates shown above.

Cable ties and binding tools are not offered by WAGO.



Strain relief plate for field assembly

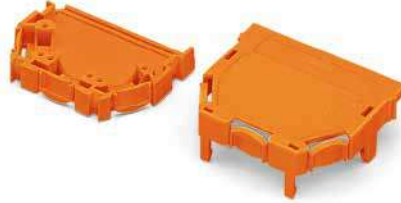
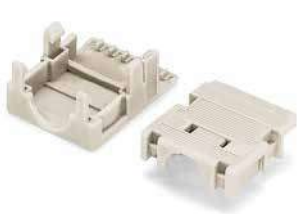


Sample order:
1-conductor female connector with push-buttons;
3.5 mm pin spacing; 8-pole; light gray;
with strain relief plate: 2734-108/033-000

PU = Packaging Unit; SPU = Subpackaging Unit; Dimensions in mm

Strain Relief Housings MCS MINI

5



Snap-on type strain relief housing; consisting of strain relief support and housing; light gray; 3.5 mm pin spacing

Pole No.	Item No.	PU
2	734-602	50
3	734-603	25
4	734-604	25
5	734-605	25
6	734-606	25
7	734-607	25
8	734-608	25
9	734-609	25
10	734-610	25
11	734-611	25
12	734-612	25

Snap-on type strain relief housing; consisting of strain relief support and housing; orange; 3.81 mm pin spacing

Pole No.	Item No.	PU
2	734-632	50
3	734-633	25
4	734-634	25
5	734-635	25
6	734-636	25
8	734-638	25
9	734-639	25
10	734-640	25
12	734-642	25

Cable clamp; for 6-12 pole strain relief

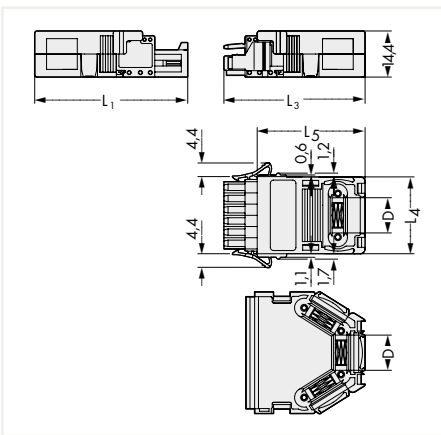
Item No.	PU
209-177	25



Mounting screws; for cable clamp

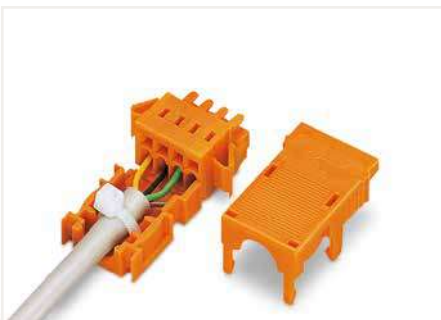
Item No.	PU
209-172	50

2- to 5-pole; only suitable for cable ties; 1 cable outlet (rear side); max. cable tie width 3.6 mm;
6- to 9-pole; suitable for cable clamp; 1 x cable outlet (rear side);
10- to 12-pole; suitable for cable clamp; 1 x cable outlet (rear side) and 2 x cable outlets (side);
Removable built-in lockout caps

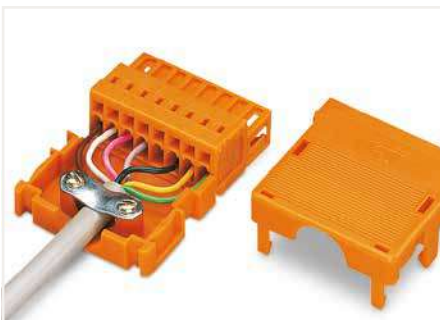


Strain Relief Housing Dimensions (in mm):

Pole No.	L ₄ (3,5 mm)	L ₄ (3,81 mm)	L ₃	L ₁	L ₅	D
2	10.0	10.6	43.1	46.8	32.7	5.0
3	13.5	14.4	43.1	46.8	32.7	8.5
4	17.0	18.2	43.1	46.8	32.7	8.5
5	20.5	22.0	43.1	46.8	32.7	8.5
6	24.0	25.9	44.1	47.8	33.7	11.5
7	27.5	-	44.1	47.8	33.7	11.5
8	31.0	33.5	44.1	47.8	33.7	11.5
9	34.5	37.3	44.1	47.8	33.7	11.5
10	38.0	41.1	53.1	56.8	42.7	11.5
11	41.5	-	53.1	56.8	42.7	11.5
12	45.0	48.7	53.1	56.8	42.7	11.5



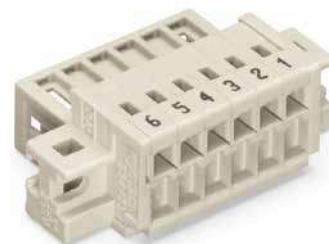
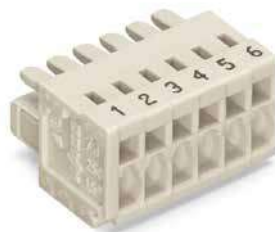
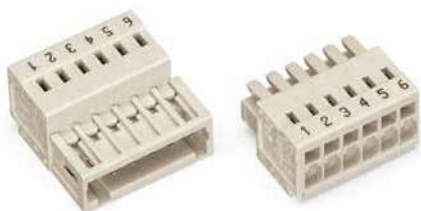
4-pole; 1-conductor female connector; with locking levers and strain relief housing (2- to 5-pole strain relief housing suitable only for cable ties)



8-pole; 1-conductor male connector; with strain relief housing (6- to 12-pole strain relief housings suitable for cable clamp)

PU = Packaging Unit; SPU = Subpackaging Unit; Dimensions in mm

Direct Marking MCS MINI



The pole numbers of male and female connectors for CAGE CLAMP® termination can be marked via factory direct marking.

Two standard marking orientations are available:

1. Marking perpendicular to conductor entry
2. Marking parallel to conductor entry

Other custom marking options are available upon request.

Direct marking is not suitable for MCS PCB Male Headers. WAGO recommends pole marking on the PCB for these headers.

Female headers with solder pins are exposed to aggressive flux agents during wave soldering. Select direct marking procedures are available upon request for these items.

The marking type is always defined by the second 4-digit block of the item no. suffix for items with standard colors and materials.

Example: 734-106/... - xxxx

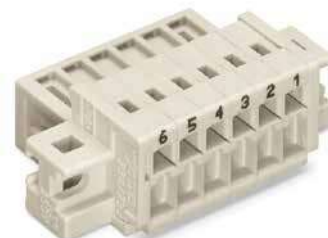
xxxx = Item no. suffix for direct marking

Direct marking of 1-conductor female connectors, perpendicular to conductor entry, 1 ... pole no., item no. suffix: /... - 047

Version	Item No. Example
1-cond. female connector, 6-pole, light gray	734-106/000-047
1-cond. female connector, with locking levers, 6-pole, light gray	734-106/037-047
1-cond. female connector, with strain relief plate, 6-pole, light gray	734-106/033-047
1-cond. female connector, with locking levers and strain relief plate, 6-pole, light gray	734-106/037-047/033-000

Direct marking of 1-conductor male connectors, perpendicular to conductor entry, pole no. ... 1, item no. suffix: /... - 044

Version	Item No. Example
1-cond. male connector, 6-pole, light gray	734-306/000-044
1-cond. male connector, with mounting flanges, 6-pole, light gray	734-306/019-044
1-cond. male connector, with mounting flanges and strain relief plate, 6-pole, light gray	734-306/019-044/033-000



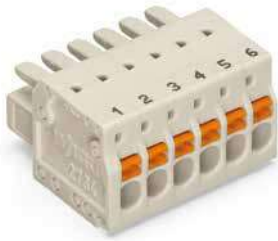
Direct marking of 1-conductor female connectors, parallel to conductor entry, 1 ... pole no., item no. suffix: /... - 9037

Version	Item No. Example
1-cond. female connector, 6-pole, light gray	734-106/000-9037
1-cond. female connector, with locking levers, 6-pole, light gray	734-106/037-9037
1-cond. female connector, with strain relief plate, 6-pole, light gray	734-106/033-9037
1-cond. female connector, with locking levers and strain relief plate, 6-pole, light gray	734-106/037-9037/033-000

Direct marking of 1-conductor male connectors, parallel to conductor entry, pole no. ... 1, item no. suffix: /... - 9034

Version	Item No. Example
1-cond. male connector, 6-pole, light gray	734-306/000-9034
1-cond. male connector, with mounting flanges, 6-pole, light gray	734-306/019-9034
1-cond. male connector, with mounting flanges and strain relief plate, 6-pole, light gray	734-306/019-9034/033-000

Direct Marking MCS MINI



Direct marking of 1-conductor female connectors with, push-buttons, perpendicular to conductor entry, 1 ... pole no., item no. suffix.: /... - 047

Version	Item No. Example
1-conductor female connector, with push-buttons, 6-pole, light gray	2734-106/000-047
1-conductor female connector, with push-buttons and locking levers, 6-pole, light gray	2734-106/037-047
1-conductor female connector, with push-buttons and strain relief plate, 6-pole, light gray	2734-106/033-047
1-conductor female connector, with push-buttons, locking levers and strain relief plate, 6-pole, light gray	2734-106/037-047/ 033-0000

Direct marking of 2-conductor combi strips, perpendicular to conductor entry, 1 ... pole no., item no. suffix.: /... - 047

Version	Item No. Example
2-conductor combi strip, 6-pole, light gray	734-366/000-047
2-conductor combi strip, with locking levers, 6-pole, light gray	734-366/037-047
2-conductor combi strip, with locking levers and strain relief plate, 6-pole, light gray	734-366/037-047/033-000



Direct marking of 1-conductor female connectors with, push-buttons, parallel to conductor entry, 1 ... pole no., item no. suffix.: /... - 9037

Version	Item No. Example
1-conductor female connector, with push-buttons, 6-pole, light gray	2734-106/000-9037
1-conductor female connector, with push-buttons and locking levers, 6-pole, light gray	2734-106/037-9037
1-conductor female connector, with push-buttons and strain relief plate, 6-pole, light gray	2734-106/033-9037
1-conductor female connector, with push-buttons, locking levers and strain relief plate, 6-pole, light gray	2734-106/037-9037/ 033-000

Direct marking of 2-conductor combi strips, parallel to conductor entry, 1 ... pole no., item no. suffix.: /... - 9037

Version	Item No. Example
2-conductor combi strip, 6-pole, light gray	734-366/000-9037
2-conductor combi strip, with locking levers, 6-pole, light gray	734-366/037-9037
2-conductor combi strip, with locking levers and strain relief plate, 6-pole, light gray	734-366/037-9037/033-000

Cutout Dimensions MCS MINI

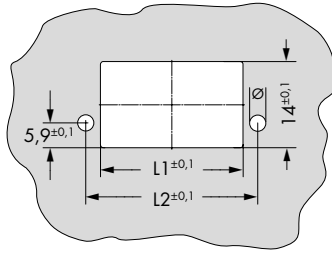
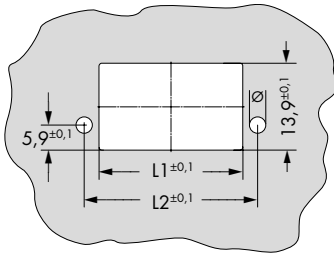


Table 1
Cutout for male connectors
with mounting flanges (734 Series)

Pole No.	Pin Spacing: 3.5 mm		Pin Spacing: 3.81 mm	
	L1	L2	L1	L2
2	9.8	15.5	10.1	16.1
3	13.3	19	13.9	19.9
4	16.8	22.5	17.7	23.7
5	20.3	26	21.5	27.6
6	24	29.4	25.6	31.3
7	27.5	32.9	29.4	35.1
8	31	36.4	33.2	38.9
9	34.5	39.9	37	42.7
10	38	43.4	40.8	46.5
11	41.5	46.9	44.6	50.3
12	45	50.4	48.4	54.1
13	48.8	53.8	52.5	57.8
14	52.3	57.3	56.3	61.6
15	55.8	60.8	60.1	65.5
16	59.3	64.3	64	69.3
17	62.8	67.8	67.8	73.1
18	66.3	71.3	71.6	76.9
19	69.9	74.7	75.5	80.6
20	73.4	78.2	79.3	84.4
21	76.9	81.7	83.1	88.2
22	80.4	85.2	86.9	92
23	83.9	88.7	90.7	95.8
24	87.4	92.2	94.5	99.6

Table 2
Cutout for female connectors
with mounting flanges (2734 Series)

Pole No.	Pin Spacing: 3.5 mm		Pin Spacing: 3.81 mm	
	L1	L2	L1	L2
2	10.4	15.5	11	16.1
3	13.9	19	14.8	19.9
4	17.4	22.5	18.6	23.7
5	20.9	26	22.5	27.6
6	24.6	29.4	26.5	31.3
7	28.1	32.9	30.3	35.1
8	31.6	36.4	34.1	38.9
9	35.1	39.9	37.9	42.7
10	38.6	43.4	41.7	46.5
11	42.1	46.9	45.5	50.3
12	45.6	50.4	49.3	54.1
13	49.4	53.8	53.4	57.8
14	52.9	57.3	57.2	61.6
15	56.4	60.8	61.1	65.5
16	59.9	64.3	64.9	69.3
17	63.4	67.8	68.7	73.1
18	66.9	71.3	72.5	76.9
19	70.5	74.7	76.4	80.6
20	74	78.2	80.2	84.4
21	77.5	81.7	84	88.2
22	81	85.2	87.8	92
23	84.5	88.7	91.6	95.8
24	88	92.2	95.4	99.6

Self-tapping screws
for 1.8 mm ± 0.1 mm Ø mounting hole

Dimensions	Item No.	Pack. Unit
B 2.2 x 9.5 mm	209-147	200 (100)
B 2.2 x 13 mm	231-194	200 (100)

Screws with nuts,
for 2.5 mm ± 0.1 mm Ø mounting hole

Dimensions	Item No.	Pack. Unit
M 2 x 12 mm	231-195	200 (100)

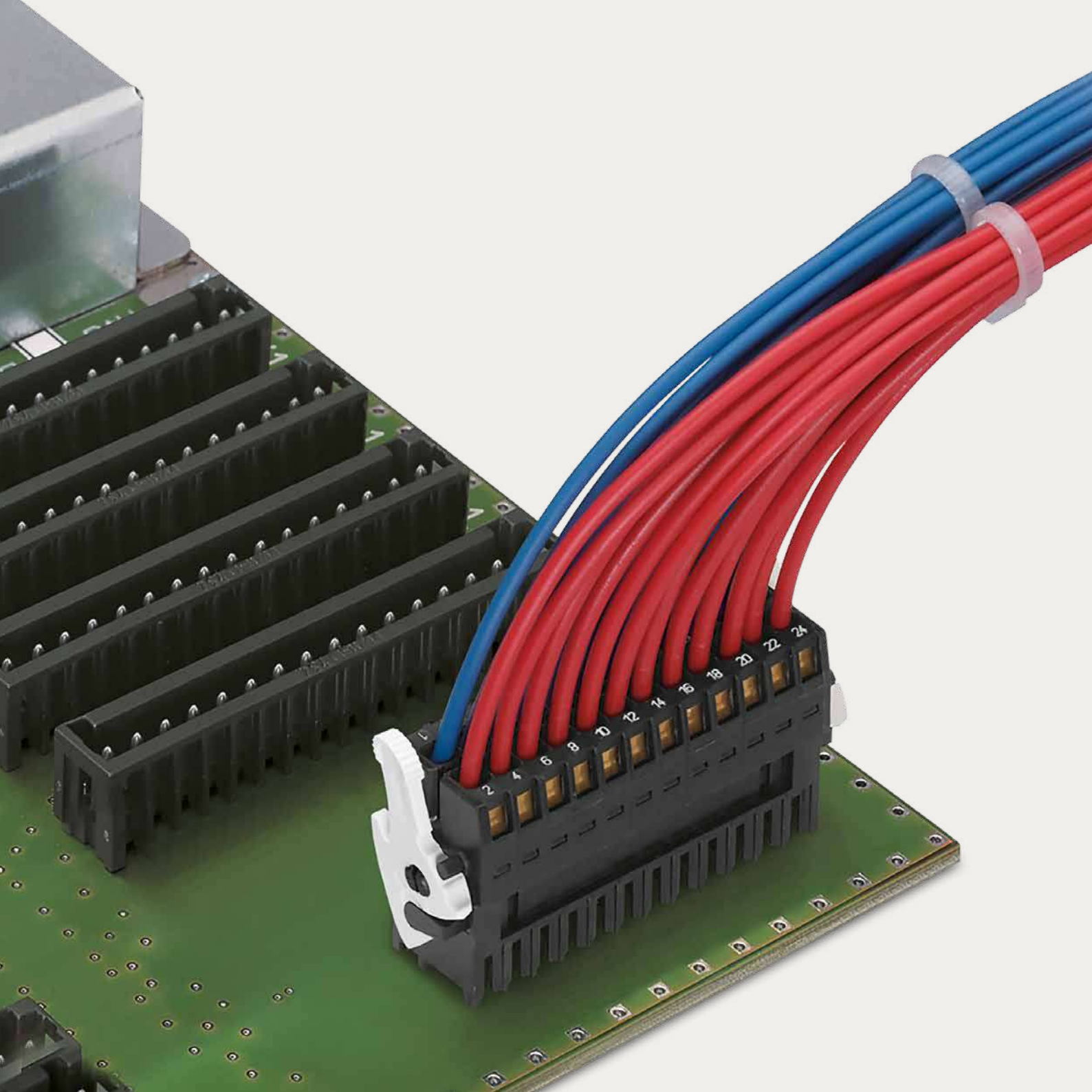
Screws with nuts,
for 3.0 mm ± 0.1 mm Ø mounting hole

Dimensions	Item No.	Pack. Unit
M 2.5 x 10 mm	231-295	200 (100)

Dimensions (in mm)
Drilled hole Ø depends on the type of screw used (see mounting screws).

PU = Packaging Unit; SPU = Subpackaging Unit; Dimensions in mm




Additional information on through-panel mounting and cutout dimensions is available upon request.



**WAGO MULTI CONNECTION SYSTEM
MINI HD**

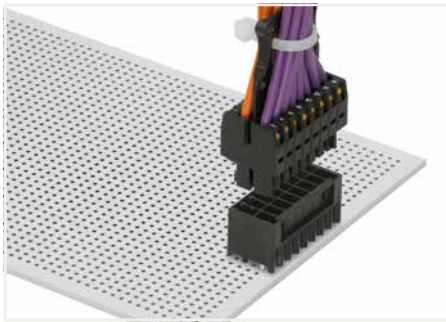
WAGO MULTI CONNECTION SYSTEM MINI HD

Pin Spacing: 3.5 mm / Nominal Cross-Section: 1.5 mm²

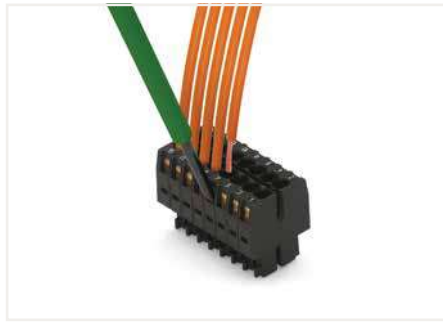
	Page	
	<p>MCS MINI HD 1-Conductor Female Connectors ▶ Actuation type: Operating tool ▶ CAGE CLAMP®</p>	428
	<p>MCS MINI HD THT Male Header, 2-Rows</p> <p>THR Male Header, 2-Rows</p>	430 436
	<p>MCS MINI HD Accessories</p> <p>Accessories and Tools</p>	444 861

MCS MINI HD

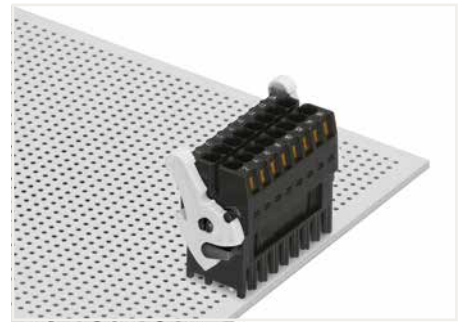
Description and Installation



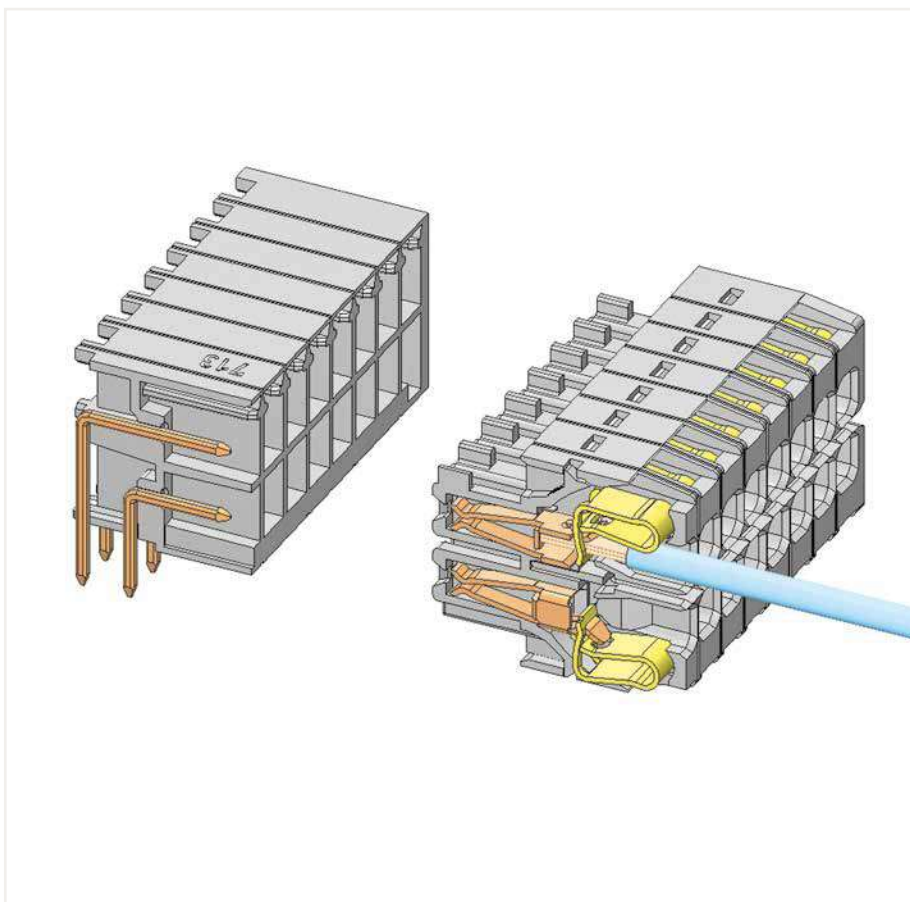
Centered strain relief plate anchors conductors for easy disconnection.



Inserting a conductor via (2.5 x 0.4) mm screwdriver.



Lever as a lock – when closed, female connector is locked.



Pin spacing: 3.5 mm



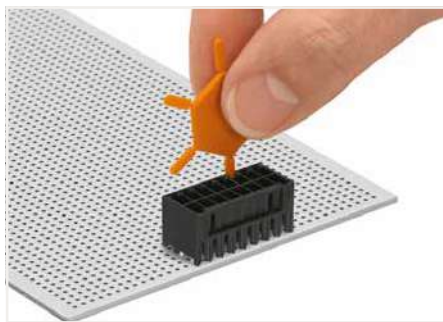
Lever as a disconnection aid – when opened, female connector is disconnected. Rotating the lever lifts the female connector out of the male header.



Screw interlock can only be disconnected using a tool.



Pole marking via self-adhesive strips or direct marking.



Coding a male header by inserting a coding pin.



Coding a female connector by removing coding finger(s).

6

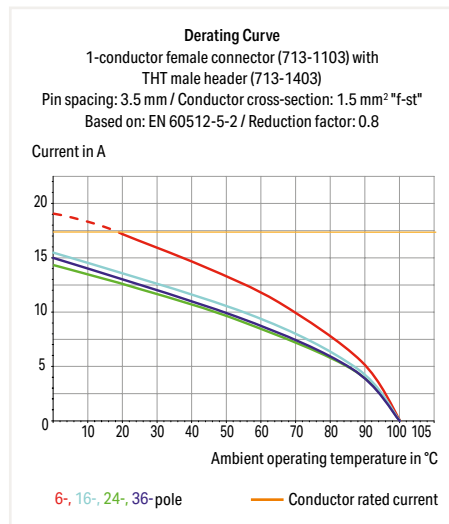
6

1-conductor female connector, 2-row ▶ MCS MINI HD ▶ 713 Series

Pin spacing: 3.5 mm / 0.138 inch ▶ Actuation type: Operating tool ▶ CAGE CLAMP® ▶ Color: black



- Universal connection for all conductor types
- Unique, compact, double-row connector system for conductor cross-sections up to 1.5 mm²
- High-density, wire-to-board connections in very confined spaces
- Centered strain relief plate anchors conductors, while acting as convenient connection and disconnection handle. It also provides easy access to operating slots – even when wired.
- Coding fingers provide 100% protection against mismatching

**Electrical Data**

Ratings per	IEC/EN 60664-1		
Overvoltage category	III	III	II
Pollution degree	3	2	2
Rated voltage	80 V	160 V	250 V
Rated impulse voltage	2.5 kV	2.5 kV	2.5 kV
Rated current	10 A	10 A	10 A
Approbations per	UL 1059		
Use group	B	C	D
Rated voltage	300 V	50 V	-
Rated current	10 A	10 A	-
Approbations per	CSA		
Use group	B	C	D
Rated voltage	300 V	-	-
Rated current	10 A	-	-

Connection Data

Connection technology	CAGE CLAMP®
Strip length	6 ... 7 mm / 0.24 ... 0.28 inch
Solid conductor	0.08 ... 1.5 mm ² / 28 ... 16 AWG
Fine-stranded conductor	0.08 ... 1.5 mm ² / 28 ... 16 AWG
Fine-stranded conductor; with insulated ferrule	0.25 ... 1 mm ²
Fine-stranded conductor; with uninsulated ferrule	0.25 ... 1 mm ²

Material Data

Material group	II
Insulation material	Glass fiber-reinforced polyamide (PA66 GF)
Flammability class per UL94	V0
Clamping spring material	Chrome nickel spring steel (CrNi)
Contact material	Copper alloy
Contact plating	Tin-plated

Environmental Requirements

Limit temperature range	-60 ... +100 °C
-------------------------	-----------------

The MCS – MULTI CONNECTION SYSTEM includes connectors without breaking capacity in accordance with DIN EN 61984. When used as intended, these connectors must not be connected/disconnected when live or under load. The circuit design should ensure header pins, which can be touched, are not live when unmated.

Ferrule	Page 879
Strain relief	Page 444
Tool	Page 870
Direct marking	Page 446
See technical section for further information	
For approvals and corresponding ratings, visit www.wago.com	

1-conductor female connector, 2-row ▶ MCS MINI HD ▶ 713 Series

Pin spacing: 3.5 mm / 0.138 inch ▶ Actuation type: Operating tool ▶ CAGE CLAMP® ▶ Color: black

Locking of plug-in connection: Screw flange

Locking of plug-in connection: Locking lever



713-1108



713-1108/107-000



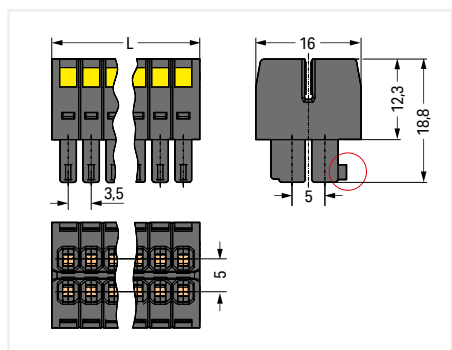
713-1108/037-000

Pole No.	Item No.	PU
6	713-1103	100
8	713-1104	50
10	713-1105	50
12	713-1106	50
14	713-1107	50
16	713-1108	25
18	713-1109	25
20	713-1110	25
22	713-1111	25
24	713-1112	25
26	713-1113	25
28	713-1114	20
30	713-1115	20
32	713-1116	20
34	713-1117	20
36	713-1118	20

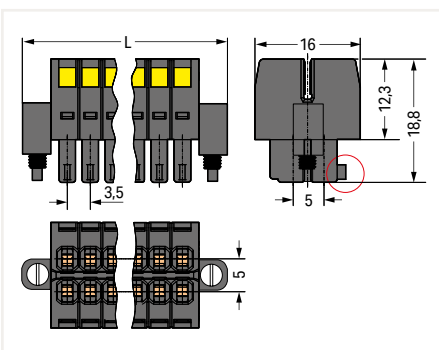
Pole No.	Item No.	PU
6	713-1103/107-000	50
8	713-1104/107-000	50
10	713-1105/107-000	25
12	713-1106/107-000	25
14	713-1107/107-000	25
16	713-1108/107-000	25
18	713-1109/107-000	25
20	713-1110/107-000	20
22	713-1111/107-000	20
24	713-1112/107-000	20
26	713-1113/107-000	20
28	713-1114/107-000	20
30	713-1115/107-000	20
32	713-1116/107-000	10
34	713-1117/107-000	10
36	713-1118/107-000	10

Pole No.	Item No.	PU
6	713-1103/037-000	50
8	713-1104/037-000	50
10	713-1105/037-000	50
12	713-1106/037-000	25
14	713-1107/037-000	25
16	713-1108/037-000	25
18	713-1109/037-000	25
20	713-1110/037-000	25
22	713-1111/037-000	20
24	713-1112/037-000	20
26	713-1113/037-000	20
28	713-1114/037-000	20
30	713-1115/037-000	20
32	713-1116/037-000	20
34	713-1117/037-000	10
36	713-1118/037-000	10

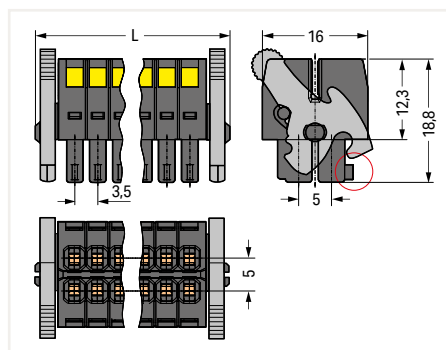
6



$L = [(pole\ no./2) - 1] \times pin\ spacing + 5.2\ mm$
Coding finger (red circle)



$L = [(pole\ no./2) - 1] \times pin\ spacing + 13.6\ mm$
Coding finger (red circle)



$L = [(pole\ no./2) - 1] \times pin\ spacing + 12.2\ mm$
Coding finger (red circle)

PU = Packaging Unit; SPU = Subpackaging Unit; Dimensions in mm

Other versions (or variants) can be requested from WAGO Sales or configured at <https://configurator.wago.com/>.

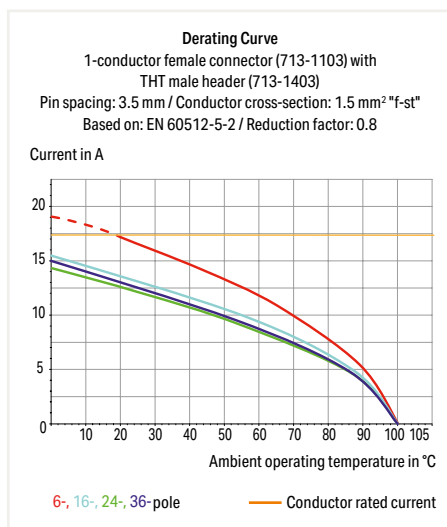
- Other pole numbers
- Gold-plated or partially gold-plated contact surfaces

THT male header, 2-row ▶ MCS MINI HD ▶ 713 Series

Pin spacing: 3.5 mm / 0.138 inch ▶ Solder pin dimensions: 0.8 x 0.8 mm ▶ Color: black



- Male headers may be mounted horizontally or vertically via straight or angled solder pins
- Header housing is molded of THT-compatible insulation material for lead-free reflow soldering
- Separated pin slots prevent damage and make the headers touch-proof when unplugged
- 100% protected against mismatching
- Coding option available

**Electrical Data**

		IEC/EN 60664-1		
Ratings per		III	III	II
Overvoltage category		3	2	2
Pollution degree		80 V	160 V	250 V
Rated voltage		2.5 kV	2.5 kV	2.5 kV
Rated impulse voltage		10 A	10 A	10 A
Rated current				
Approbations per		UL 1059		
Use group		B	C	D
Rated voltage		150 V	50 V	-
Rated current		10 A	10 A	-
Approbations per		CSA		
Use group		B	C	D
Rated voltage		150 V	-	-
Rated current		12 A	-	-

Material Data

Material group	I
Insulation material	Polyphthalamide (PPA GF)
Flammability class per UL94	V0
Contact material	Electrolytic copper (E _{cu})
Contact plating	Tin-plated

Mechanical Data

Solder pin arrangement	Over the entire male connector (in-line)
Solder pin length	3.8 mm
Solder pin dimensions	0.8 x 0.8 mm
Drilled hole diameter with tolerance	1.2 ^(+0.1) mm

Environmental Requirements

Limit temperature range	-60 ... +100 °C
-------------------------	-----------------

The MCS – MULTI CONNECTION SYSTEM includes connectors without breaking capacity in accordance with DIN EN 61984. When used as intended, these connectors must not be connected/disconnected when live or under load. The circuit design should ensure header pins, which can be touched, are not live when unmated.

Coding Page 444

See technical section for further information

For approvals and corresponding ratings, visit www.wago.com

THT male header, 2-row ▶ MCS MINI HD ▶ 713 Series

Pin spacing: 3.5 mm / 0.138 inch ▶ Solder pin dimensions: 0.8 x 0.8 mm ▶ Color: black

Mating direction to the PCB: 0°

Mating direction to the PCB: 90°

Locking of plug-in connection: Threaded flange ▶ Mating direction to the PCB: 0°

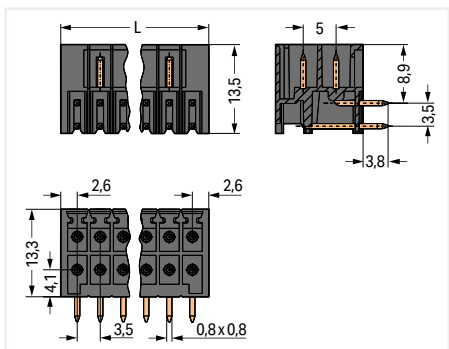


Pole No.	Item No.	PU
6	713-1423	100
8	713-1424	50
10	713-1425	50
12	713-1426	50
14	713-1427	50
16	713-1428	25
18	713-1429	25
20	713-1430	25
22	713-1431	25
24	713-1432	25
26	713-1433	25
28	713-1434	20
30	713-1435	20
32	713-1436	20
34	713-1437	20
36	713-1438	20

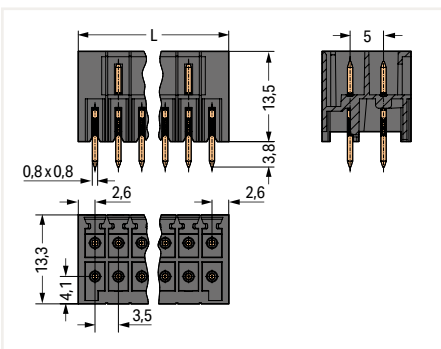
Pole No.	Item No.	PU
6	713-1403	100
8	713-1404	50
10	713-1405	50
12	713-1406	50
14	713-1407	50
16	713-1408	25
18	713-1409	25
20	713-1410	25
22	713-1411	25
24	713-1412	25
26	713-1413	25
28	713-1414	20
30	713-1415	20
32	713-1416	20
34	713-1417	20
36	713-1418	20

Pole No.	Item No.	PU
6	713-1423/107-000	50
8	713-1424/107-000	50
10	713-1425/107-000	25
12	713-1426/107-000	25
14	713-1427/107-000	25
16	713-1428/107-000	25
18	713-1429/107-000	25
20	713-1430/107-000	20
22	713-1431/107-000	20
24	713-1432/107-000	20
26	713-1433/107-000	20
28	713-1434/107-000	20
30	713-1435/107-000	20
32	713-1436/107-000	10
34	713-1437/107-000	10
36	713-1438/107-000	10

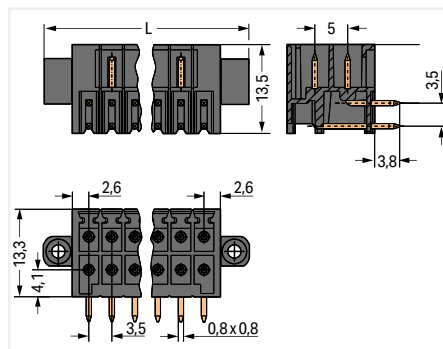
6



$L = [(pole\ no./2) - 1] \times pin\ spacing + 5.2\ mm$



$L = [(pole\ no./2) - 1] \times pin\ spacing + 5.2\ mm$



$L = [(pole\ no./2) - 1] \times pin\ spacing + 13.6\ mm$

PU = Packaging Unit; SPU = Subpackaging Unit; Dimensions in mm

Other versions (or variants) can be requested from WAGO Sales or configured at <https://configurator.wago.com/>.

- Other pole numbers
- Other solder pin lengths
- Gold-plated or partially gold-plated contact surfaces

THT male header, 2-row ▶ MCS MINI HD ▶ 713 Series

Pin spacing: 3.5 mm / 0.138 inch ▶ Solder pin dimensions: 0.8 x 0.8 mm ▶ Color: black

Locking of plug-in connection: Threaded flange ▶ Mating direction to the PCB: 90°

Locking of plug-in connection: Locking lever ▶ Mating direction to the PCB: 0°

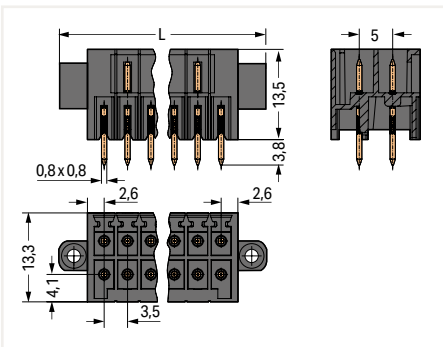
Locking of plug-in connection: Locking lever ▶ Mating direction to the PCB: 90°



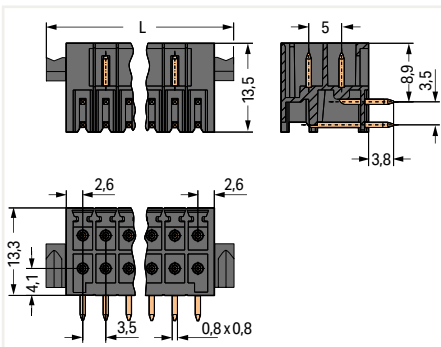
Pole No.	Item No.	PU
6	713-1403/107-000	50
8	713-1404/107-000	50
10	713-1405/107-000	25
12	713-1406/107-000	25
14	713-1407/107-000	25
16	713-1408/107-000	25
18	713-1409/107-000	25
20	713-1410/107-000	20
22	713-1411/107-000	20
24	713-1412/107-000	20
26	713-1413/107-000	20
28	713-1414/107-000	20
30	713-1415/107-000	20
32	713-1416/107-000	10
34	713-1417/107-000	10
36	713-1418/107-000	10

Pole No.	Item No.	PU
6	713-1423/037-000	50
8	713-1424/037-000	50
10	713-1425/037-000	50
12	713-1426/037-000	25
14	713-1427/037-000	25
16	713-1428/037-000	25
18	713-1429/037-000	25
20	713-1430/037-000	25
22	713-1431/037-000	20
24	713-1432/037-000	20
26	713-1433/037-000	20
28	713-1434/037-000	20
30	713-1435/037-000	20
32	713-1436/037-000	20
34	713-1437/037-000	10
36	713-1438/037-000	10

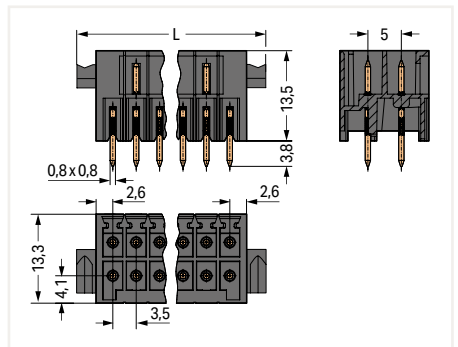
Pole No.	Item No.	PU
6	713-1403/037-000	50
8	713-1404/037-000	50
10	713-1405/037-000	50
12	713-1406/037-000	25
14	713-1407/037-000	25
16	713-1408/037-000	25
18	713-1409/037-000	25
20	713-1410/037-000	25
22	713-1411/037-000	20
24	713-1412/037-000	20
26	713-1413/037-000	20
28	713-1414/037-000	20
30	713-1415/037-000	20
32	713-1416/037-000	20
34	713-1417/037-000	10
36	713-1418/037-000	10



$$L = [(pole\ no./2) - 1] \times pin\ spacing + 13.6\ mm$$



$$L = [(pole\ no./2) - 1] \times pin\ spacing + 11.6\ mm$$



$$L = [(pole\ no./2) - 1] \times pin\ spacing + 11.6\ mm$$

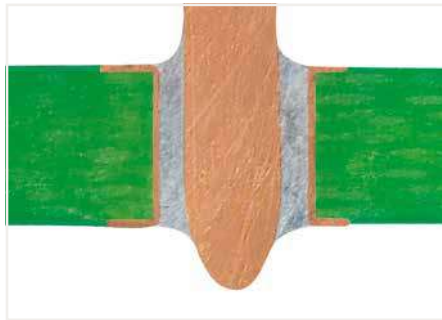
PU = Packaging Unit; SPU = Subpackaging Unit; Dimensions in mm

Other versions (or variants) can be requested from WAGO Sales or configured at <https://configurator.wago.com/>.

- Other pole numbers
- Other solder pin lengths
- Gold-plated or partially gold-plated contact surfaces

6

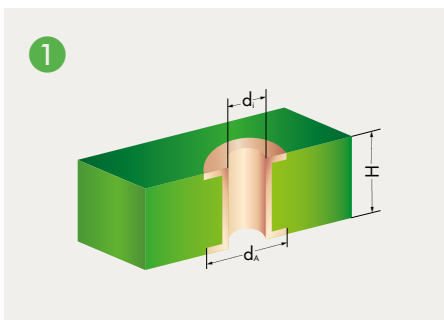
THR (Through-Hole Reflow) Soldering Process



By using high-temperature-resistant plastic and a streamlined pin design, WAGO's THR male headers and PCB terminal blocks meet requirements for SMT process capability while maintaining the necessary stability. Both headers and terminal blocks are simply pushed into the solder paste-filled PCB holes and then soldered along with the SMT components via reflow soldering. The previous wave soldering process is no longer necessary. The result is a perfect connection – both mechanically and electrically.

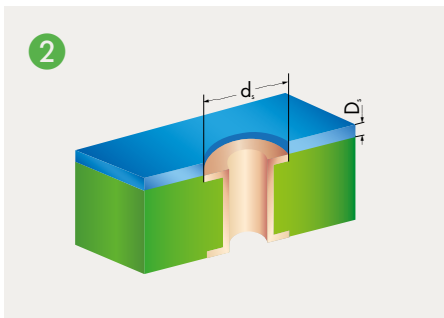
Terminal strips with an additional suction pad in tape-and-reel packaging per IEC 60286-3 WAGO recommends both a temperature profile that adheres to EN 61760-1 and the use of forced convection ovens for processing THR components.

6



Metal-plated PCB bore hole

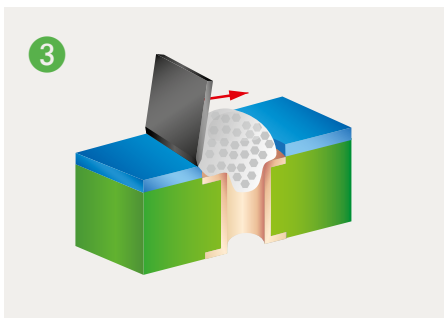
Series	d _i (mm)	d _A (mm)	H (mm)	d _s (mm)	D _s (μm)	d (mm)	L (mm)
218	1.1 ^{+0.1}	1.9	<2	1.8	150	0.9	2.8
231 (1 x 1 mm)	1.4 ^{+0.1}	2.5	<2	2.4	150	1.2	2.4
231 (1.2 x 1.2 mm)	1.7 ^{+0.1}	2.8	<2	2.7	150	1.5	2.4
236	1.1 ^{+0.1}	2.2	<2	2.1	150	0.9	3.6
250	1.1 ^{+0.1}	2.0	<2	1.9	150	0.9	2.4
713	1.0 ^{+0.1}	1.9	<2	1.8	150	1.0	2.4
733	1.2 ^{+0.1}	1.9	<2	1.8	150	1.0	2.4
734	1.4 ^{+0.1}	2.5	<2	2.4	150	1.2	2.4
2060	1.5 ^{+0.1}	2.4	<2	2.3	150	1.25	2.4
2061	1.5 ^{+0.1}	2.4	<2	2.3	150	1.25	1.5/2.4
2086	1.0 ^{+0.1}	2.0	<2	1.9	150	0.85	1.5/2.4



SMD positioning pattern

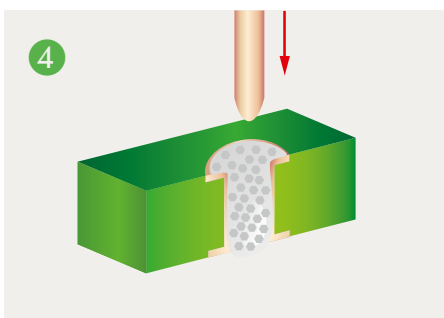
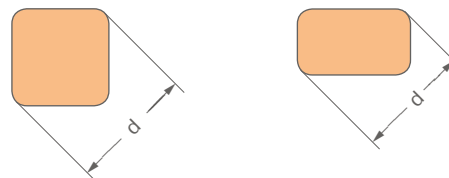
- d_i: Plated through-hole diameter
- d_A: Outer diameter of metal-plated PCB hole*
- H: PCB thickness
- d_s: Pattern hole diameter
- D_s: Pattern thickness
- d: Pin diagonal
- L: Pin length

* When laying out the metal-plated bore holes, the clearance and creepage distance requirements – as specified in the equipment standards – must be considered.

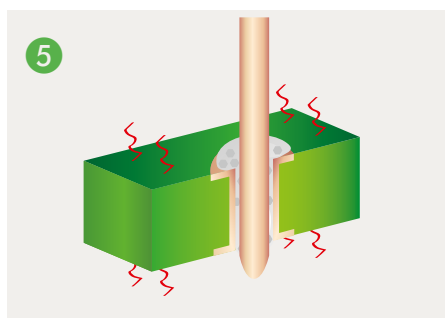


Solder paste application

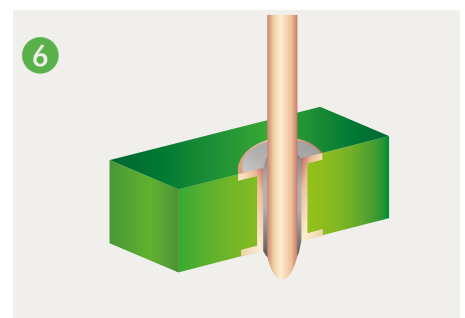
Solder pin form



Component assembly, automatic/by hand



Reflow soldering process



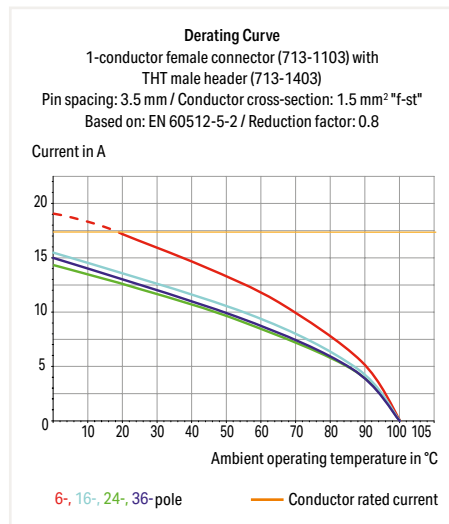
THR soldering joint

THR male header, 2-row ▶ MCS MINI HD ▶ 713 Series

Pin spacing: 3.5 mm / 0.138 inch ▶ Solder pin dimensions: 0.8 x 0.8 mm ▶ Color: black



- THR male headers for reflow soldering in SMT applications
- Available in tape-and-reel packaging for automated pick-and-place PCB assembly
- Separated pin slots prevent damage and make the headers touch-proof when unplugged
- 100% protected against mismatching
- Coding option available

**Electrical Data**

		IEC/EN 60664-1		
Ratings per		III	III	II
Overvoltage category		3	2	2
Pollution degree		80 V	160 V	250 V
Rated voltage		2.5 kV	2.5 kV	2.5 kV
Rated impulse voltage		10 A	10 A	10 A
Rated current				
Approbations per		UL 1059		
Use group		B	C	D
Rated voltage		150 V	50 V	-
Rated current		10 A	10 A	-
Approbations per		CSA		
Use group		B	C	D
Rated voltage		150 V	-	-
Rated current		12 A	-	-

Material Data

Material group	I
Insulation material	Polyphthalamide (PPA GF)
Flammability class per UL94	V0
Contact material	Electrolytic copper (E _{cu})
Contact plating	Tin-plated

Mechanical Data

Solder pin arrangement	Over the entire male connector (in-line)
Solder pin length	2.4 mm
Solder pin dimensions	0.8 x 0.8 mm
Plated through-hole diameter (THR)	1.3 ^(+0.1) mm

Environmental Requirements

Limit temperature range	-60 ... +100 °C
-------------------------	-----------------

The MCS – MULTI CONNECTION SYSTEM includes connectors without breaking capacity in accordance with DIN EN 61984. When used as intended, these connectors must not be connected/disconnected when live or under load. The circuit design should ensure header pins, which can be touched, are not live when unmated.

THR soldering Page 434

Coding Page 444

See technical section for further information

For approvals and corresponding ratings, visit www.wago.com

THR male header, 2-row ▶ MCS MINI HD ▶ 713 Series

Pin spacing: 3.5 mm / 0.138 inch ▶ Solder pin dimensions: 0.8 x 0.8 mm ▶ Color: black

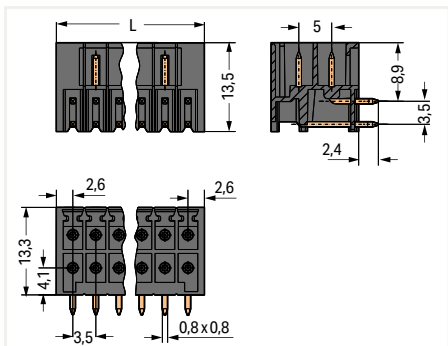
Mating direction to the PCB: 0°

Suitable for automated assembly

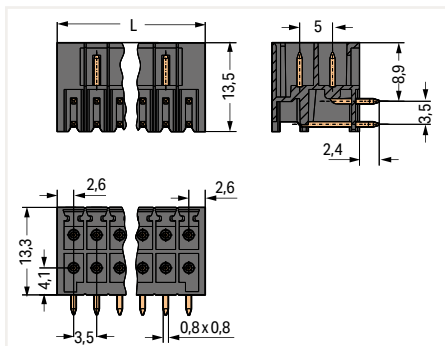


Pole No.	Item No.	PU	Pole No.	Tape width	Item No.	PU
6	713-1423/105-000	100	6	32 mm	713-1423/105-000/997-405	120
8	713-1424/105-000	50	8	32 mm	713-1424/105-000/997-405	120
10	713-1425/105-000	50	10	32 mm	713-1425/105-000/997-405	120
12	713-1426/105-000	50	12	44 mm	713-1426/105-000/997-406	120
14	713-1427/105-000	50	14	44 mm	713-1427/105-000/997-406	120
16	713-1428/105-000	25	16	44 mm	713-1428/105-000/997-406	120
18	713-1429/105-000	25	18	56 mm	713-1429/105-000/997-407	120
20	713-1430/105-000	25	20	56 mm	713-1430/105-000/997-407	120
22	713-1431/105-000	25	22	56 mm	713-1431/105-000/997-407	120
24	713-1432/105-000	25	24	72 mm	713-1432/105-000/997-408	120
26	713-1433/105-000	25	26	72 mm	713-1433/105-000/997-408	120
28	713-1434/105-000	20	28	72 mm	713-1434/105-000/997-408	120
30	713-1435/105-000	20	30	72 mm	713-1435/105-000/997-408	120
32	713-1436/105-000	20	32	72 mm	713-1436/105-000/997-408	120
34	713-1437/105-000	20	34	88 mm	713-1437/105-000/997-409	120
36	713-1438/105-000	20	36	88 mm	713-1438/105-000/997-409	120

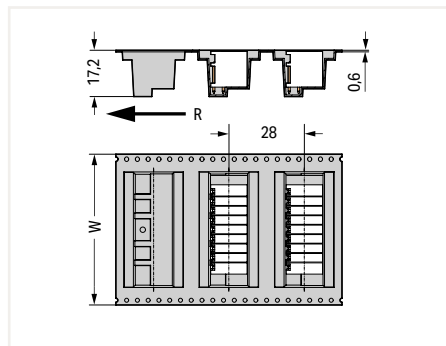
6



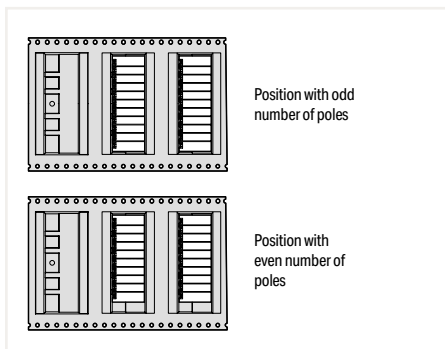
$L = [(pole\ no./2) - 1] \times pin\ spacing + 5.2\ mm$



$L = [(pole\ no./2) - 1] \times pin\ spacing + 5.2\ mm$



W = tape width
R = feed direction



Pin position in tape-and-reel packaging

PU = Packaging Unit; SPU = Subpackaging Unit; Dimensions in mm

Other versions (or variants) can be requested from WAGO Sales or configured at <https://configurator.wago.com/>.

- Other pole numbers
- Other solder pin lengths
- Gold-plated or partially gold-plated contact surfaces

THR male header, 2-row ▶ MCS MINI HD ▶ 713 Series

Pin spacing: 3.5 mm / 0.138 inch ▶ Solder pin dimensions: 0.8 x 0.8 mm ▶ Color: black

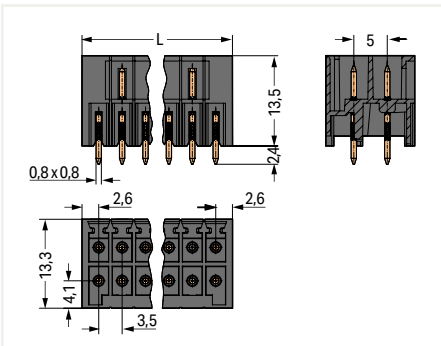
Mating direction to the PCB: 90°

Suitable for automated assembly

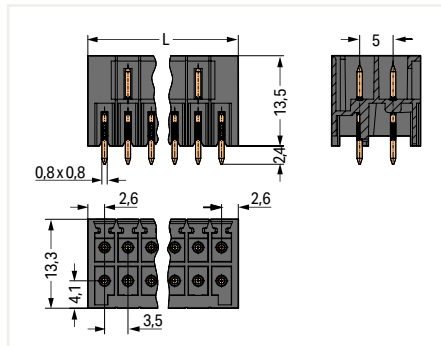


Pole No.	Item No.	PU	Pole No.	Tape width	Item No.	PU
6	713-1403/105-000	100	6	32 mm	713-1403/105-000/997-405	120
8	713-1404/105-000	50	8	32 mm	713-1404/105-000/997-405	120
10	713-1405/105-000	50	10	32 mm	713-1405/105-000/997-405	120
12	713-1406/105-000	50	12	44 mm	713-1406/105-000/997-406	120
14	713-1407/105-000	50	14	44 mm	713-1407/105-000/997-406	120
16	713-1408/105-000	25	16	44 mm	713-1408/105-000/997-406	120
18	713-1409/105-000	25	18	56 mm	713-1409/105-000/997-407	120
20	713-1410/105-000	25	20	56 mm	713-1410/105-000/997-407	120
22	713-1411/105-000	25	22	56 mm	713-1411/105-000/997-407	120
24	713-1412/105-000	25	24	72 mm	713-1412/105-000/997-408	120
26	713-1413/105-000	25	26	72 mm	713-1413/105-000/997-408	120
28	713-1414/105-000	20	28	72 mm	713-1414/105-000/997-408	120
30	713-1415/105-000	20	30	72 mm	713-1415/105-000/997-408	120
32	713-1416/105-000	20	32	72 mm	713-1416/105-000/997-408	120
34	713-1417/105-000	20	34	88 mm	713-1417/105-000/997-409	120
36	713-1418/105-000	20	36	88 mm	713-1418/105-000/997-409	120

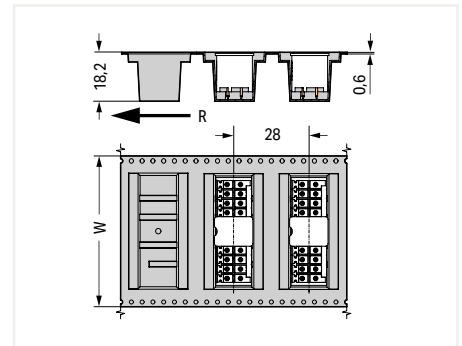
6



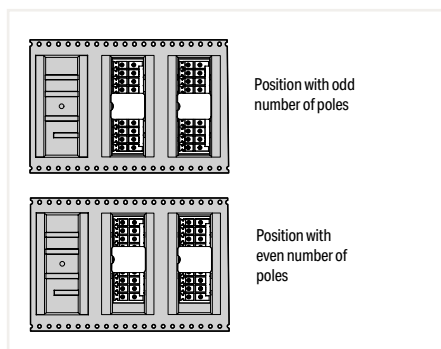
$$L = [(pole\ no./2) - 1] \times pin\ spacing + 5.2\ mm$$



$$L = [(pole\ no./2) - 1] \times pin\ spacing + 5.2\ mm$$



W = tape width
R = feed direction



Pin position in tape-and-reel packaging

PU = Packaging Unit; SPU = Subpackaging Unit; Dimensions in mm

Other versions (or variants) can be requested from WAGO Sales or configured at <https://configurator.wago.com/>.

- Other pole numbers
- Other solder pin lengths
- Gold-plated or partially gold-plated contact surfaces

THR male header, 2-row ▶ MCS MINI HD ▶ 713 Series

Pin spacing: 3.5 mm / 0.138 inch ▶ Solder pin dimensions: 0.8 x 0.8 mm ▶ Color: black

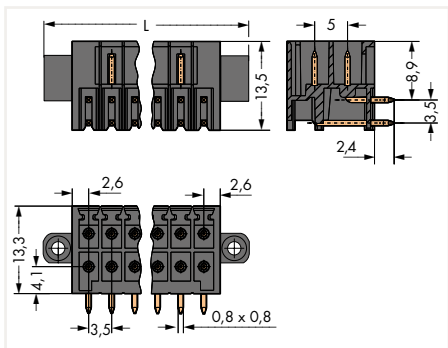
Locking of plug-in connection: Threaded flange ▶ Mating direction to the PCB: 0°

Suitable for automated assembly

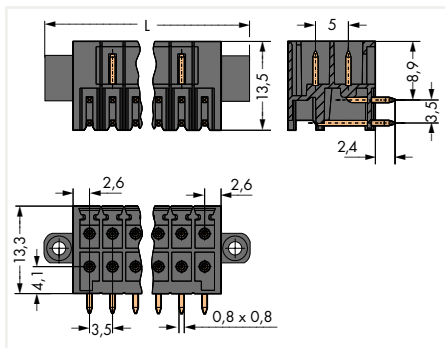


Pole No.	Item No.	PU	Pole No.	Tape width	Item No.	PU
6	713-1423/117-000	50	6	32 mm	713-1423/117-000/997-405	120
8	713-1424/117-000	50	8	44 mm	713-1424/117-000/997-406	120
10	713-1425/117-000	25	10	44 mm	713-1425/117-000/997-406	120
12	713-1426/117-000	25	12	44 mm	713-1426/117-000/997-406	120
14	713-1427/117-000	25	14	56 mm	713-1427/117-000/997-407	120
16	713-1428/117-000	25	16	56 mm	713-1428/117-000/997-407	120
18	713-1429/117-000	25	18	56 mm	713-1429/117-000/997-407	120
20	713-1430/117-000	20	20	72 mm	713-1430/117-000/997-408	120
22	713-1431/117-000	20	22	72 mm	713-1431/117-000/997-408	120
24	713-1432/117-000	20	24	72 mm	713-1432/117-000/997-408	120
26	713-1433/117-000	20	26	72 mm	713-1433/117-000/997-408	120
28	713-1434/117-000	20	28	72 mm	713-1434/117-000/997-408	120
30	713-1435/117-000	20	30	88 mm	713-1435/117-000/997-409	120
32	713-1436/117-000	10	32	88 mm	713-1436/117-000/997-409	120
34	713-1437/117-000	10	34	88 mm	713-1437/117-000/997-409	120
36	713-1438/117-000	10	36	88 mm	713-1438/117-000/997-409	120

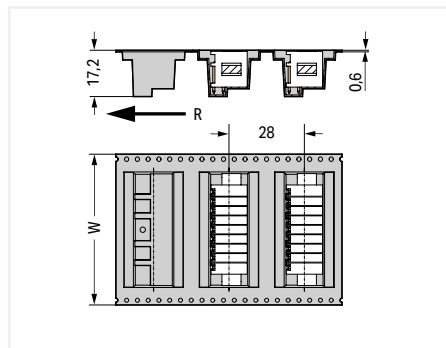
6



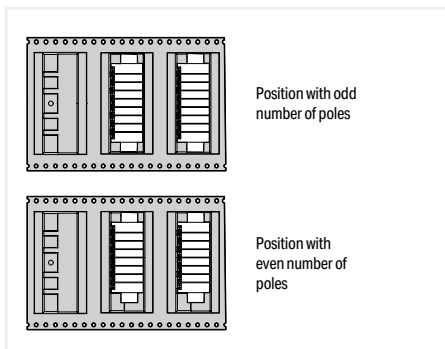
$L = [(pole\ no./2) - 1] \times pin\ spacing + 13.6\ mm$



$L = [(pole\ no./2) - 1] \times pin\ spacing + 13.6\ mm$



W = tape width
R = feed direction



Pin position in tape-and-reel packaging

PU = Packaging Unit; SPU = Subpackaging Unit; Dimensions in mm

Other versions (or variants) can be requested from WAGO Sales or configured at <https://configurator.wago.com/>.

- Other pole numbers
- Other solder pin lengths
- Gold-plated or partially gold-plated contact surfaces

THR male header, 2-row ▶ MCS MINI HD ▶ 713 Series

Pin spacing: 3.5 mm / 0.138 inch ▶ Solder pin dimensions: 0.8 x 0.8 mm ▶ Color: black

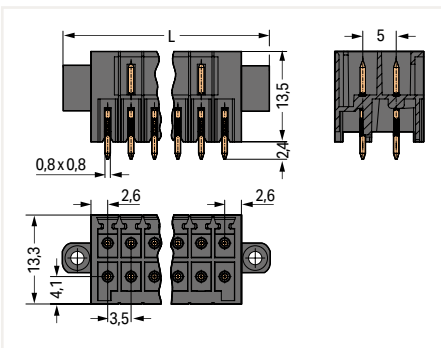
Locking of plug-in connection: Threaded flange ▶ Mating direction to the PCB: 90°

Suitable for automated assembly

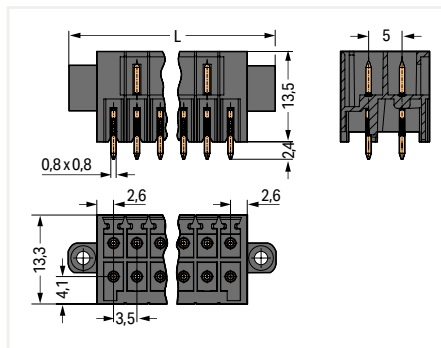


Pole No.	Item No.	PU	Pole No.	Tape width	Item No.	PU
6	713-1403/117-000	50	6	32 mm	713-1403/117-000/997-405	120
8	713-1404/117-000	50	8	44 mm	713-1404/117-000/997-406	120
10	713-1405/117-000	25	10	44 mm	713-1405/117-000/997-406	120
12	713-1406/117-000	25	12	44 mm	713-1406/117-000/997-406	120
14	713-1407/117-000	25	14	56 mm	713-1407/117-000/997-407	120
16	713-1408/117-000	25	16	56 mm	713-1408/117-000/997-407	120
18	713-1409/117-000	25	18	56 mm	713-1409/117-000/997-407	120
20	713-1410/117-000	20	20	72 mm	713-1410/117-000/997-408	120
22	713-1411/117-000	20	22	72 mm	713-1411/117-000/997-408	120
24	713-1412/117-000	20	24	72 mm	713-1412/117-000/997-408	120
26	713-1413/117-000	20	26	72 mm	713-1413/117-000/997-408	120
28	713-1414/117-000	20	28	72 mm	713-1414/117-000/997-408	120
30	713-1415/117-000	20	30	88 mm	713-1415/117-000/997-409	120
32	713-1416/117-000	10	32	88 mm	713-1416/117-000/997-409	120
34	713-1417/117-000	10	34	88 mm	713-1417/117-000/997-409	120
36	713-1418/117-000	10	36	88 mm	713-1418/117-000/997-409	120

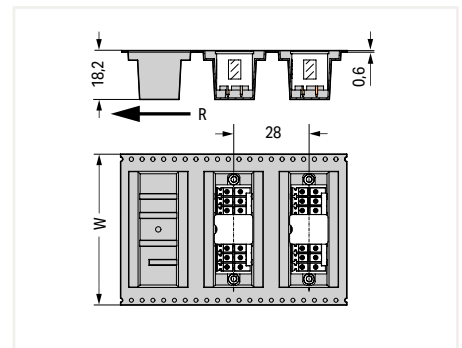
6



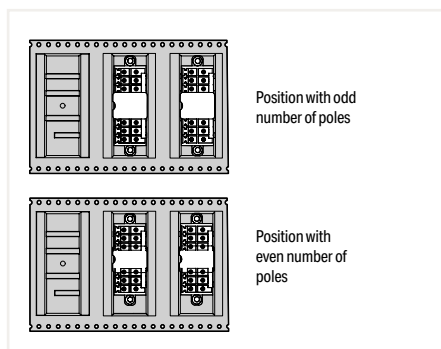
$$L = [(pole\ no./2) - 1] \times pin\ spacing + 13.6\ mm$$



$$L = [(pole\ no./2) - 1] \times pin\ spacing + 13.6\ mm$$



W = tape width
R = feed direction



Pin position in tape-and-reel packaging

PU = Packaging Unit; SPU = Subpackaging Unit; Dimensions in mm

Other versions (or variants) can be requested from WAGO Sales or configured at <https://configurator.wago.com/>.

- Other pole numbers
- Other solder pin lengths
- Gold-plated or partially gold-plated contact surfaces

THR male header, 2-row ▶ MCS MINI HD ▶ 713 Series

Pin spacing: 3.5 mm / 0.138 inch ▶ Solder pin dimensions: 0.8 x 0.8 mm ▶ Color: black

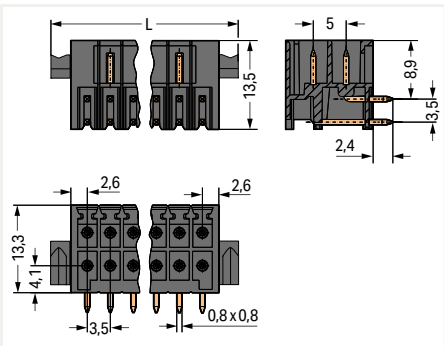
Locking of plug-in connection: Locking lever ▶ Mating direction to the PCB: 0°

Suitable for automated assembly

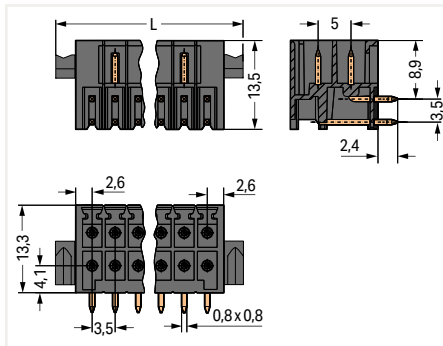


Pole No.	Item No.	PU	Pole No.	Tape width	Item No.	PU
6	713-1423/116-000	50	6	32 mm	713-1423/116-000/997-405	120
8	713-1424/116-000	50	8	44 mm	713-1424/116-000/997-406	120
10	713-1425/116-000	50	10	44 mm	713-1425/116-000/997-406	120
12	713-1426/116-000	50	12	44 mm	713-1426/116-000/997-406	120
14	713-1427/116-000	50	14	56 mm	713-1427/116-000/997-407	120
16	713-1428/116-000	25	16	56 mm	713-1428/116-000/997-407	120
18	713-1429/116-000	25	18	56 mm	713-1429/116-000/997-407	120
20	713-1430/116-000	25	20	72 mm	713-1430/116-000/997-408	120
22	713-1431/116-000	20	22	72 mm	713-1431/116-000/997-408	120
24	713-1432/116-000	20	24	72 mm	713-1432/116-000/997-408	120
26	713-1433/116-000	20	26	72 mm	713-1433/116-000/997-408	120
28	713-1434/116-000	20	28	72 mm	713-1434/116-000/997-408	120
30	713-1435/116-000	20	30	88 mm	713-1435/116-000/997-409	120
32	713-1436/116-000	20	32	88 mm	713-1436/116-000/997-409	120
34	713-1437/116-000	10	34	88 mm	713-1437/116-000/997-409	120
36	713-1438/116-000	10	36	88 mm	713-1438/116-000/997-409	120

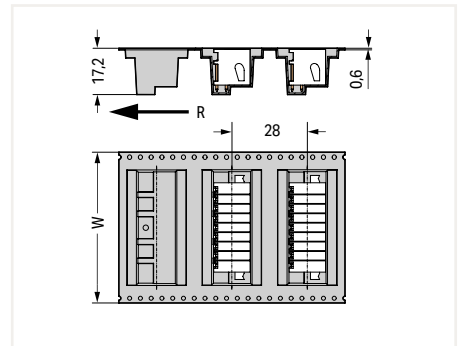
6



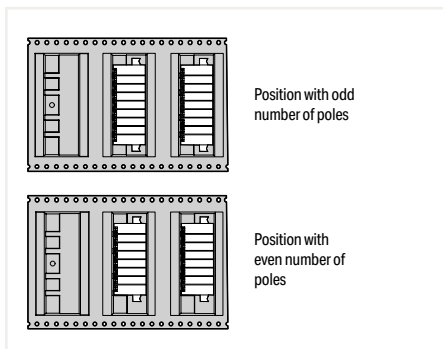
$$L = [(pole\ no./2) - 1] \times pin\ spacing + 11.6\ mm$$



$$L = [(pole\ no./2) - 1] \times pin\ spacing + 11.6\ mm$$



W = tape width
R = feed direction



Pin position in tape-and-reel packaging

PU = Packaging Unit; SPU = Subpackaging Unit; Dimensions in mm

Other versions (or variants) can be requested from WAGO Sales or configured at <https://configurator.wago.com/>.

- Other pole numbers
- Other solder pin lengths
- Gold-plated or partially gold-plated contact surfaces

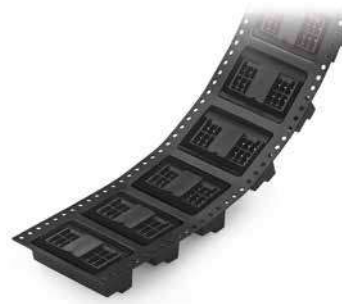
THR male header, 2-row ▶ MCS MINI HD ▶ 713 Series

Pin spacing: 3.5 mm / 0.138 inch ▶ Solder pin dimensions: 0.8 x 0.8 mm ▶ Color: black

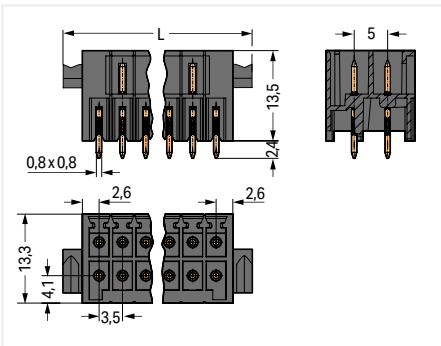
Locking of plug-in connection: Locking lever ▶ Mating direction to the PCB: 90°

Suitable for automated assembly

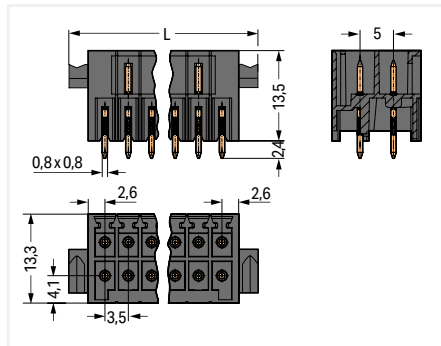
6



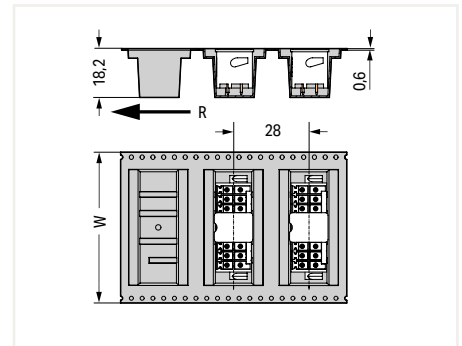
Pole No.	Item No.	PU	Pole No.	Tape width	Item No.	PU
6	713-1403/116-000	50	6	32 mm	713-1403/116-000/997-405	120
8	713-1404/116-000	50	8	44 mm	713-1404/116-000/997-406	120
10	713-1405/116-000	50	10	44 mm	713-1405/116-000/997-406	120
12	713-1406/116-000	25	12	44 mm	713-1406/116-000/997-406	120
14	713-1407/116-000	25	14	56 mm	713-1407/116-000/997-407	120
16	713-1408/116-000	25	16	56 mm	713-1408/116-000/997-407	120
18	713-1409/116-000	25	18	56 mm	713-1409/116-000/997-407	120
20	713-1410/116-000	25	20	72 mm	713-1410/116-000/997-408	120
22	713-1411/116-000	20	22	72 mm	713-1411/116-000/997-408	120
24	713-1412/116-000	20	24	72 mm	713-1412/116-000/997-408	120
26	713-1413/116-000	20	26	72 mm	713-1413/116-000/997-408	120
28	713-1414/116-000	20	28	72 mm	713-1414/116-000/997-408	120
30	713-1415/116-000	20	30	88 mm	713-1415/116-000/997-409	120
32	713-1416/116-000	20	32	88 mm	713-1416/116-000/997-409	120
34	713-1417/116-000	10	34	88 mm	713-1417/116-000/997-409	120
36	713-1418/116-000	10	36	88 mm	713-1418/116-000/997-409	120



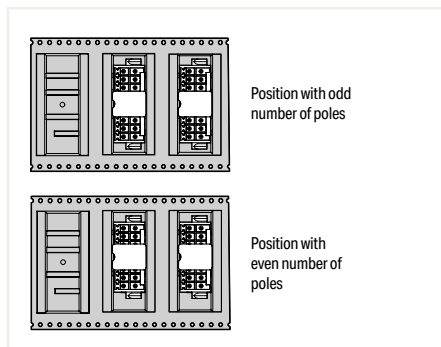
$$L = [(pole\ no./2) - 1] \times pin\ spacing + 11.6\ mm$$



$$L = [(pole\ no./2) - 1] \times pin\ spacing + 11.6\ mm$$



W = tape width
R = feed direction



Pin position in tape-and-reel packaging

PU = Packaging Unit; SPU = Subpackaging Unit; Dimensions in mm

Other versions (or variants) can be requested from WAGO Sales or configured at <https://configurator.wago.com/>.

- Other pole numbers
- Other solder pin lengths
- Gold-plated or partially gold-plated contact surfaces

Strain Relief Plates

MCS MINI HD



Strain relief plate; for field assembly; for female connectors with CAGE CLAMP® connection; black

Pole No.	Width	Item No.	PU (SPU)
6 ... 8	11 mm	713-126	100 (25)
10 ... 12	18 mm	713-130	100 (25)
14 ... 20	24 mm	713-127	100 (25)
22 ... 28	39 mm	713-128	100 (25)
30 ... 36	53 mm	713-129	100 (25)

Strain relief plate; pre-assembled; for female connectors with CAGE CLAMP® connection; black

Pole No.	Width	Item no. suffix *
6 ... 8	11 mm	.../032-000
10 ... 12	18 mm	.../036-000
14 ... 20	24 mm	.../033-000
22 ... 28	39 mm	.../034-000
30 ... 36	53 mm	.../035-000

Coding pin carrier, for male headers with six coding pins

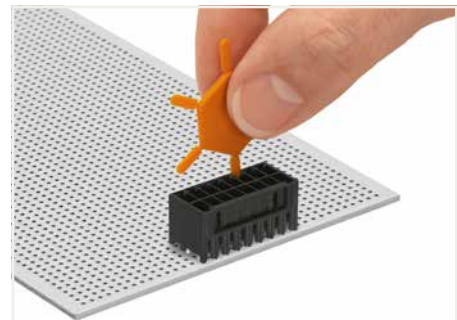
Color	Item No.	PU (SPU)
orange	714-101	100 (25)

6

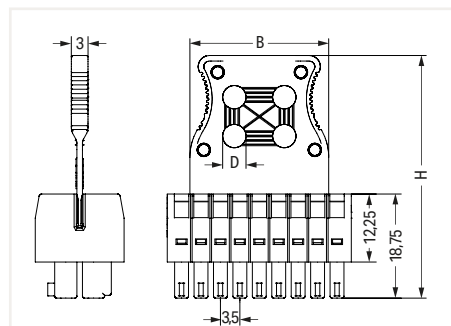


Strain relief plate for field assembly

*An "item no. suffix," referring to the width of the strain relief plate, is added to the "basic item no." and determines the type of female connector.



Coding a male header via coding pins.



Pole No.	B	H	D
6 ... 8	11	38,7	3
10 ... 12	18	43,7	4,2
14 ... 20	25	43,7	4,2
22 ... 28	39	48,7	4,2
30 ... 36	53	54,2	4,9

The arrangement of the attachments for cable ties allows single conductors or multi-core cables to be secured in different ways. The width of the cable ties must correspond to the hole dimensions of the strain relief plates shown above.

Cable ties and binding tools are not offered by WAGO.



Coding a female connector – removing coding finger(s).

6

Direct Marking MCS MINI HD



713 Series Female Connectors can be marked with "1 ... pole no." via factory direct marking.

Two standard marking orientations are available:

1. Marking perpendicular to conductor entry
2. Marking parallel to conductor entry

Other custom marking options are available upon request.

WAGO recommends pole marking on the PCB for male headers with solder pins (713 Series).

The marking type is always defined by the second 4-digit block of the item no. suffix for items with standard colors and materials.

Example: 713-1110/... - xxxx

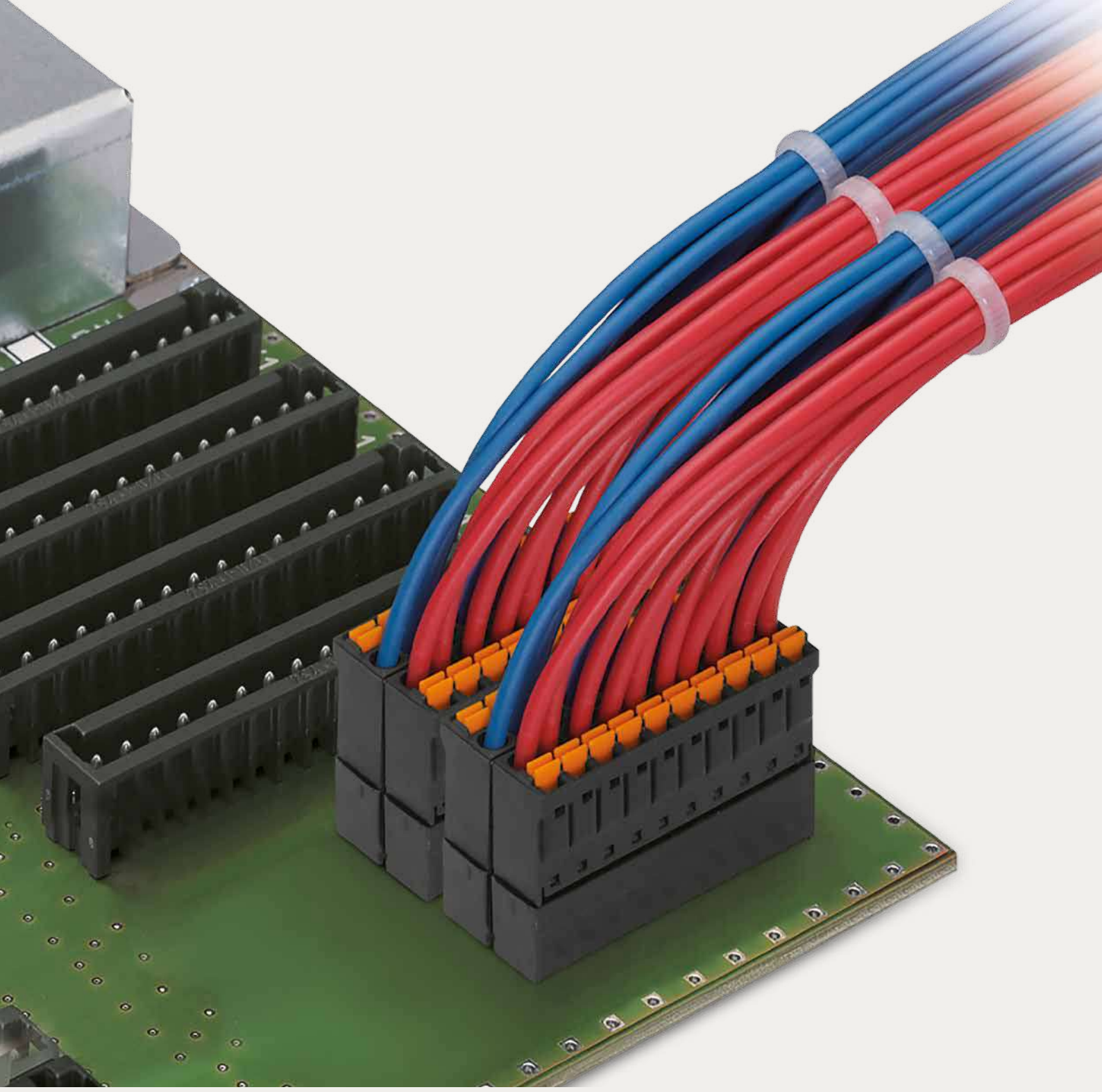
xxxx = item no. suffix for direct marking

Direct marking of 1-conductor female connectors, perpendicular to conductor entry, 1 ... pole no., item no. suffix: /... - 047

Version	Item No. Example
1-conductor female connector, double-row, 16-pole, black	713-1108/000-047
1-conductor female connector, with screw flanges, double-row, 16-pole, black	713-1108/0107-047
1-conductor female connector, with levers and strain relief plate, double-row, 16-pole, black	713-1108/037-047/033-000

Direct marking of 1-conductor female connectors, parallel to conductor entry, 1 ... pole no., item no. suffix: /... - 9037




Version	Item No. Example
1-conductor female connector, double-row, 16-pole, black	713-1108/000-9037
1-conductor female connector, with levers, double-row, 16-pole, black	13-1108/037-9037
1-conductor female connector, with strain relief plate, double-row, 16-pole, black	713-1108/033-9037



**WAGO MULTI CONNECTION SYSTEM
MINI SL**

WAGO MULTI CONNECTION SYSTEM MINI SL

Pin Spacing: 3.5 mm / Nominal Cross-Section: 1.5 mm²

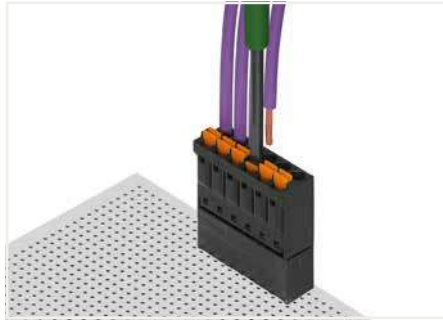
		Page
	MCS MINI SL 1-Conductor Female Connectors ▶ Actuation type: Push-button ▶ Push-in CAGE CLAMP®	452
	MCS MINI SL THT Male Headers	454
	MCS MINI SL Accessories Accessories and Tools	861

MCS MINI SL

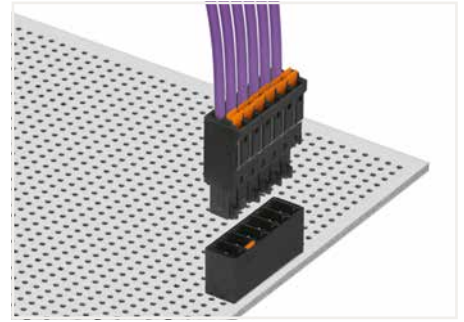
Description and Installation



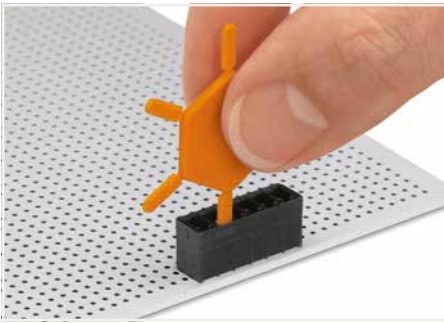
Terminating solid and ferruled conductors via push-in termination.



Inserting/removing fine-stranded conductors via push-button.



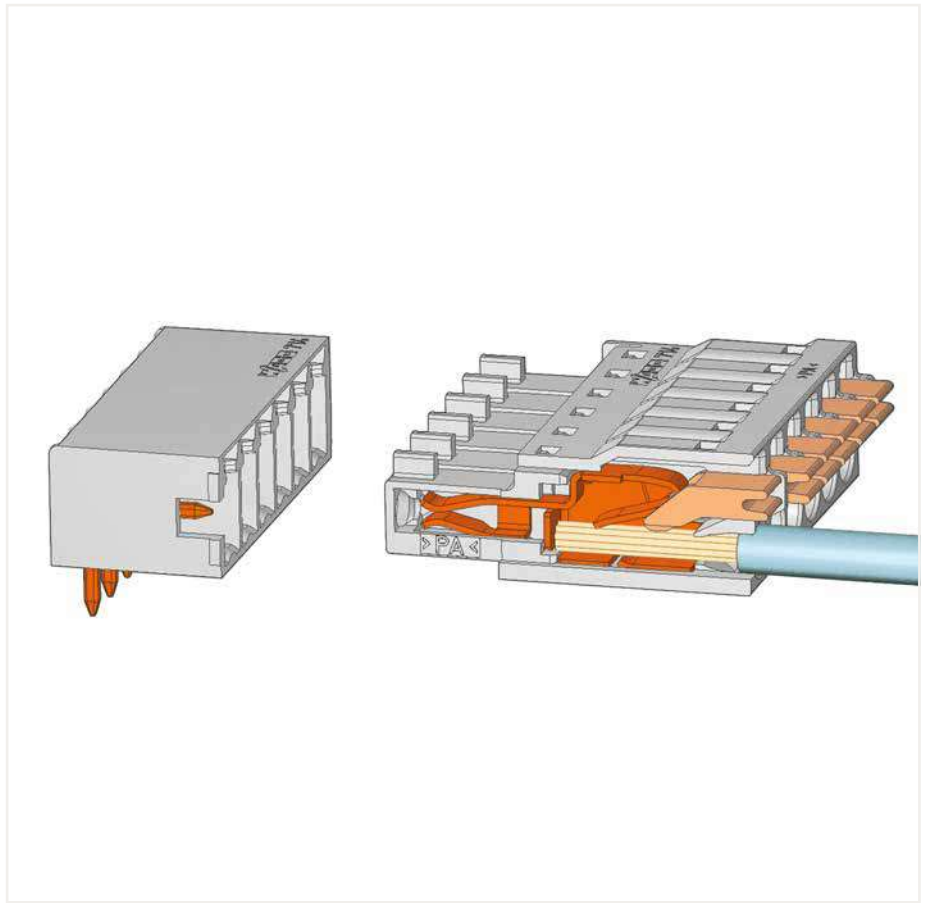
Coded connectors.



Coding a male header by inserting a coding pin.



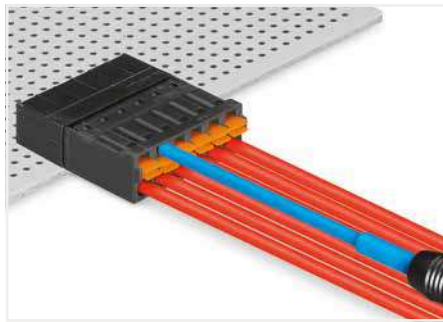
Coding a female connector by removing coding finger(s).



Pin spacing: 3.5 mm



Pole marking via factory direct marking.

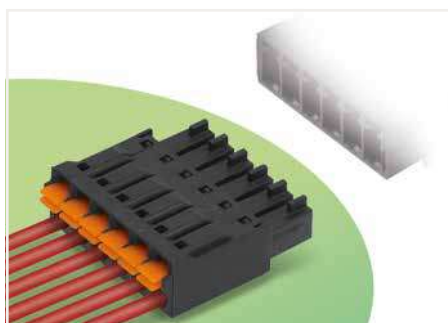


Testing via 1 mm Ø test pin – insertion parallel to conductor entry.

7

1-conductor female plug ▶ MCS MINI SL ▶ 714 Series

Pin spacing: 3.5 mm / 0.138 inch ▶ Actuation type: Push-button ▶ Push-in CAGE CLAMP® ▶ Color: black



- Female connectors terminate both solid and ferruled conductors via push-in termination
- Integrated push-buttons provide convenient, tool-free operation
- Ultra-low profile of just 7.8 mm for conductor cross-section up to 1.5 mm²
- With coding fingers and test points

Electrical Data

Ratings per	IEC/EN 60664-1		
Overvoltage category	III	III	II
Pollution degree	3	2	2
Rated voltage	160 V	160 V	320 V
Rated impulse voltage	2.5 kV	2.5 kV	2.5 kV
Rated current	8 A	8 A	8 A
Approbations per	UL 1059		
Use group	B	C	D
Rated voltage	150 V	-	-
Rated current	8 A	-	-

Connection Data

Connection technology	Push-in CAGE CLAMP®
Strip length	9 ... 10 mm / 0.35 ... 0.39 inch
Solid conductor	0.2 ... 1.5 mm ² / 24 ... 16 AWG
Fine-stranded conductor	0.2 ... 1.5 mm ² / 24 ... 16 AWG
Fine-stranded conductor; with insulated ferrule	0.25 ... 0.75 mm ²
Fine-stranded conductor; with uninsulated ferrule	0.25 ... 1.5 mm ²

Material Data

Material group	I
Insulation material	Polyamide (PA66)
Flammability class per UL94	V0
Clamping spring material	Chrome nickel spring steel (CrNi)
Contact material	Copper alloy
Contact plating	Tin-plated

Environmental Requirements

Limit temperature range	-60 ... +100 °C
-------------------------	-----------------

The MCS – MULTI CONNECTION SYSTEM includes connectors without breaking capacity in accordance with DIN EN 61984. When used as intended, these connectors must not be connected/disconnected when live or under load. The circuit design should ensure header pins, which can be touched, are not live when unmated.

Ferrule [Page 879](#)

Test and measurement [Page 886](#)

Tool [Page 870](#)

See technical section for further information

For approvals and corresponding ratings, visit www.wago.com

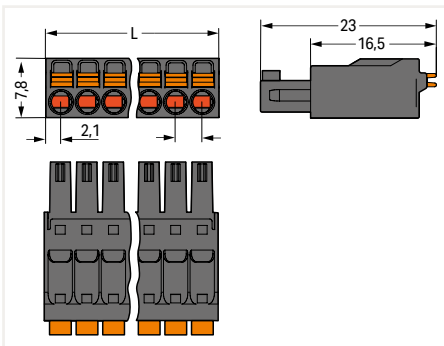
1-conductor female plug ▶ MCS MINI SL ▶ 714 Series

Pin spacing: 3.5 mm / 0.138 inch ▶ Actuation type: Push-button ▶ Push-in CAGE CLAMP® ▶ Color: black



714-106

Pole No.	Item No.	PU
2	714-102	200
3	714-103	200
4	714-104	200
5	714-105	100
6	714-106	100
8	714-108	100
10	714-110	100
12	714-112	100
14	714-114	50
15	714-115	50
16	714-116	50



$L = (\text{pole no.} - 1) \times \text{pin spacing} + 4.2 \text{ mm}$

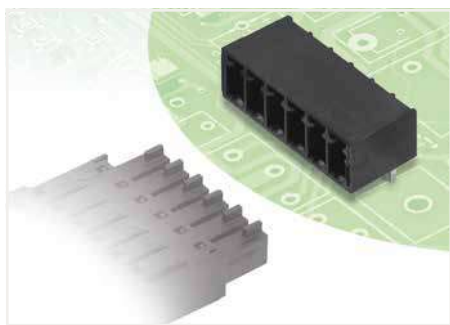
PU = Packaging Unit; SPU = Subpackaging Unit; Dimensions in mm

Other versions (or variants) can be requested from WAGO Sales or configured at <https://configurator.wago.com/>.

- Other pole numbers

THT male header ▶ MCS MINI SL ▶ 714 Series

Pin spacing: 3.5 mm / 0.138 inch ▶ Solder pin dimensions: 0.8 x 0.8 mm ▶ Color: black



- Male headers may be mounted horizontally or vertically via straight or angled solder pins
- Header housing is molded of THR-compatible insulation material for lead-free Reflow soldering
- Separated pin slots prevent damage and make the headers touch-proof when unplugged
- Coding option available

Electrical Data

Ratings per	IEC/EN 60664-1		
Overvoltage category	III	III	II
Pollution degree	3	2	2
Rated voltage	160 V	160 V	320 V
Rated impulse voltage	2.5 kV	2.5 kV	2.5 kV
Rated current	8 A	8 A	8 A
Approbations per	UL 1059		
Use group	B	C	D
Rated voltage	150 V	-	-
Rated current	8 A	-	-

Material Data

Material group	I
Insulation material	Polyphthalamide (PPA GF)
Flammability class per UL94	V0
Contact material	Electrolytic copper (E _{cu})
Contact plating	Tin-plated

Mechanical Data

Solder pin arrangement	Over the entire male connector (in-line)
Solder pin length	3.4 mm
Solder pin dimensions	0.8 x 0.8 mm
Drilled hole diameter with tolerance	1.2 ^(+0.1) mm

Environmental Requirements

Limit temperature range	-60 ... +100 °C
-------------------------	-----------------

The MCS – MULTI CONNECTION SYSTEM includes connectors without breaking capacity in accordance with DIN EN 61984. When used as intended, these connectors must not be connected/disconnected when live or under load. The circuit design should ensure header pins, which can be touched, are not live when unmated.

Coding Page 456

See technical section for further information

For approvals and corresponding ratings, visit www.wago.com

THT male header ▶ MCS MINI SL ▶ 714 Series

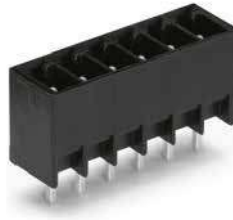
Pin spacing: 3.5 mm / 0.138 inch ▶ Solder pin dimensions: 0.8 x 0.8 mm ▶ Color: black

Mating direction to the PCB: 0°

Mating direction to the PCB: 90°



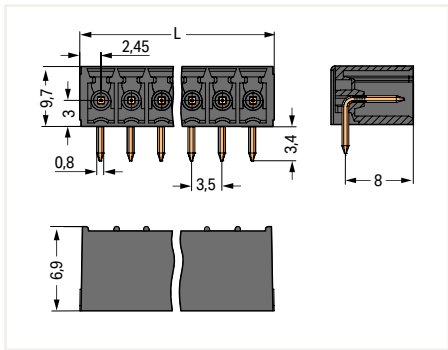
714-166



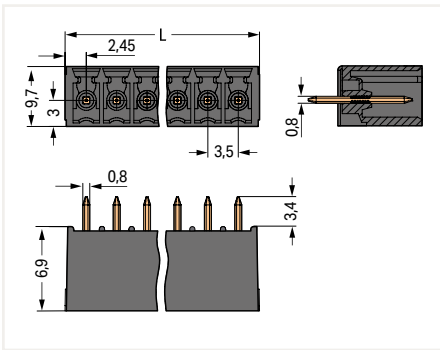
714-136

Pole No.	Item No.	PU
2	714-162	200
3	714-163	200
4	714-164	200
5	714-165	200
6	714-166	200
8	714-168	200
10	714-170	100
12	714-172	100
14	714-174	100
15	714-175	100
16	714-176	100

Pole No.	Item No.	PU
2	714-132	200
3	714-133	200
4	714-134	200
5	714-135	200
6	714-136	200
8	714-138	200
10	714-140	100
12	714-142	100
14	714-144	100
15	714-145	100
16	714-146	100



L = (pole no. - 1) x pin spacing + 4.9 mm



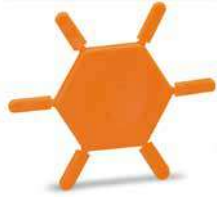
L = (pole no. - 1) x pin spacing + 4.9 mm

PU = Packaging Unit; SPU = Subpackaging Unit; Dimensions in mm

Other versions (or variants) can be requested from WAGO Sales or configured at <https://configurator.wago.com/>.

- Other pole numbers

Coding Pin Carrier and Direct Marking MCS MINI SL



Coding pin carrier; for male headers;
with six coding pins

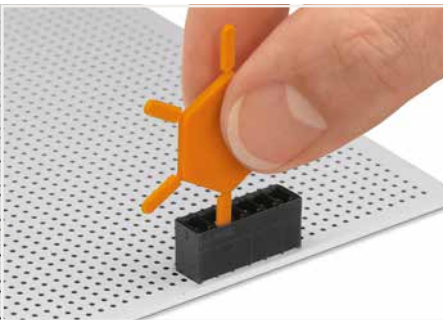
Color	Item No.	PU (SPU)
orange	714-101	100 (25)

Direct marking of 1-conductor female connectors;
perpendicular to conductor entry; 1 ... pole no.;
item no. suffix.: /... - 047

Version	Item No. Example
1-conductor female connector; with push-buttons; 6-pole; black	714-106/000-047

714 Series Female Connectors can be marked with
"1 ... pole no." via factory direct marking.

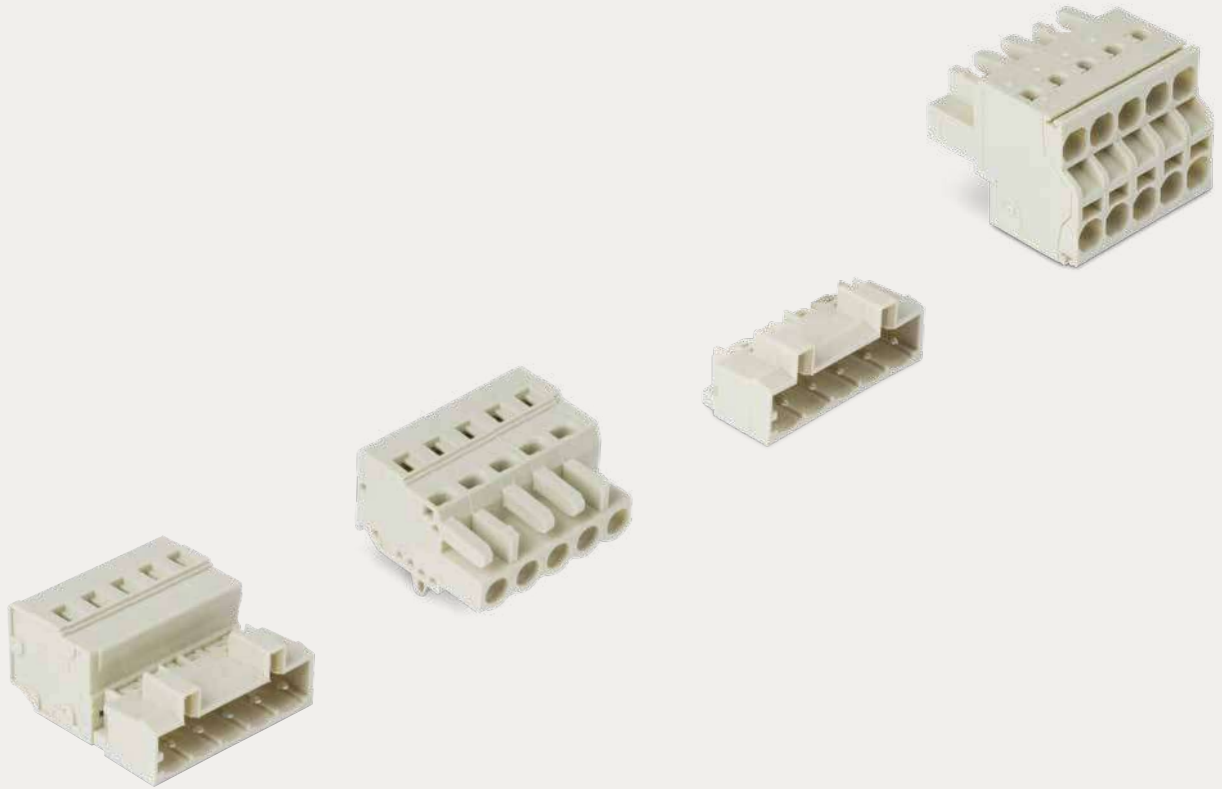
WAGO recommends pole marking on the PCB for male
headers with solder pins (714 Series).



Coding a male header via coding pins.












Coding a female connector – removing coding finger(s).



WAGO MULTI CONNECTION SYSTEM **MIDI**

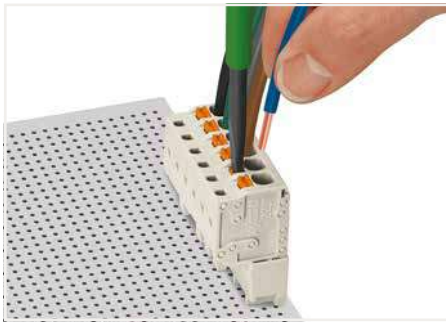
WAGO MULTI CONNECTION SYSTEM MIDI

Pin Spacing: 5 mm; 7.5 mm ▶ 2.5 mm²

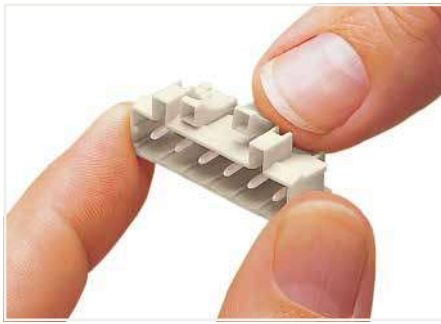
		Pin Spacing	Page
	MCS MIDI		
	1-Conductor Female Connectors ▶ Actuation type: Operating tool ▶ CAGE CLAMP®	5 mm 7.5 mm	462 504
	MCS MIDI		
	2-Conductor Female Connectors ▶ Actuation type: Operating tool ▶ Push-in CAGE CLAMP®	5 mm 7.5 mm	470 510
	MCS MIDI		
	1-Conductor Female Connectors ▶ Actuation type: Push-button ▶ Push-in CAGE CLAMP®	5 mm 7.5 mm	472 512
	MCS MIDI		
	1-Conductor Male Connectors ▶ Actuation type: Operating tool ▶ CAGE CLAMP®	5 mm 7.5 mm	476 516
	MCS MIDI		
	THT Female Headers	5 mm 7.5 mm	484 524
	MCS MIDI		
	THT Male Headers	5 mm 7.5 mm	490 530
	MCS MIDI		
	Female Connectors for Rail-Mount Terminal Blocks Male Connectors for Rail-Mount Terminal Blocks	5 mm 5 mm	498 502
	MCS MIDI Accessories		538
	Accessories and Tools		861
	Application Examples		742

MCS MIDI, 100 % Protected Against Mismatching

Description and Installation



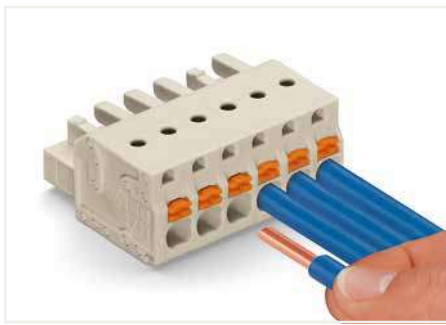
Inserting/removing a conductor via 3.5 mm screwdriver – Push-in CAGE CLAMP® actuation in mated condition.



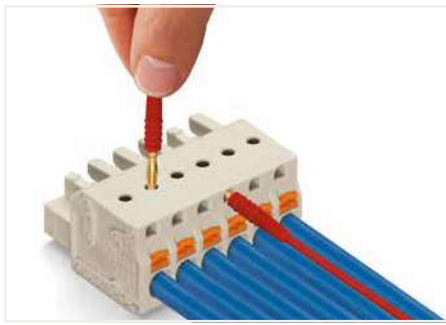
Coding a male header – fitting coding key(s).



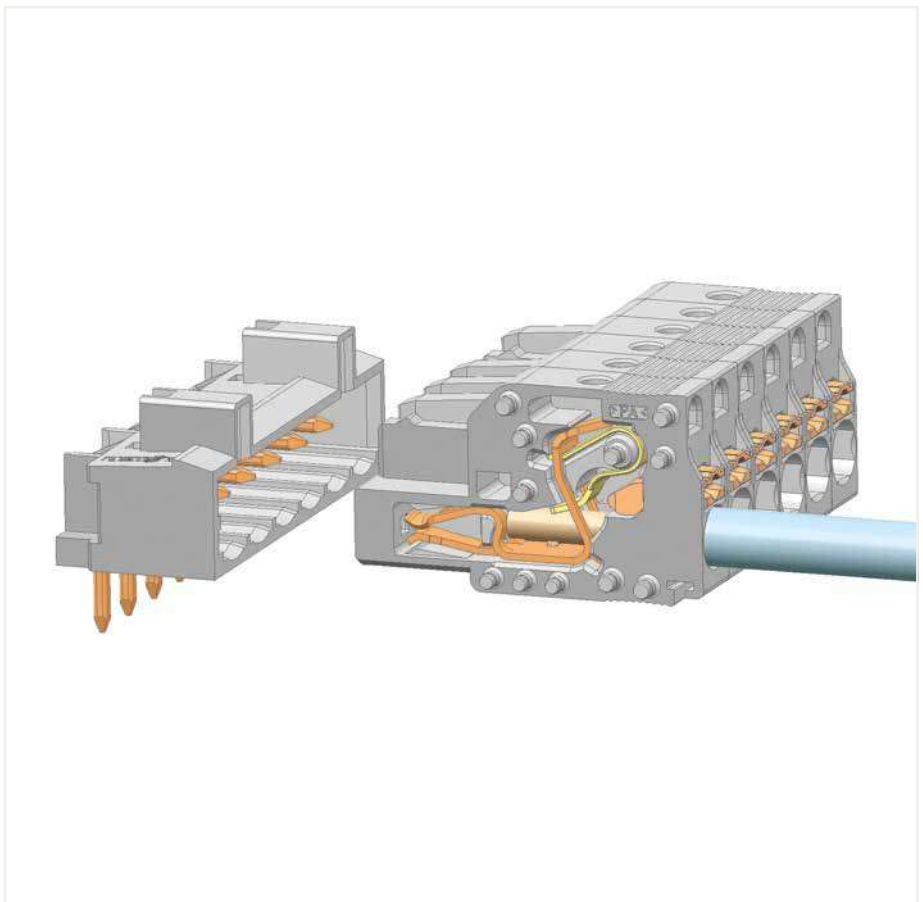
Coding a female connector – removing coding finger(s).



Push-in termination of solid conductors or fine-stranded conductors with ferrule



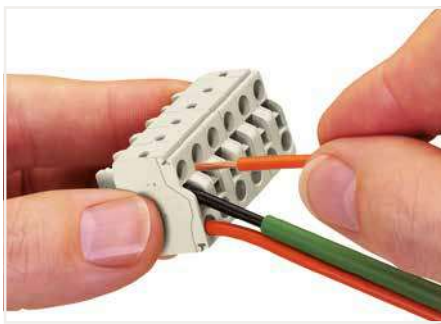
Testing parallel to conductor entry via integrated test ports – female connector with push-buttons and Push-in CAGE CLAMP® connection – touch contact perpendicular to conductor entry.



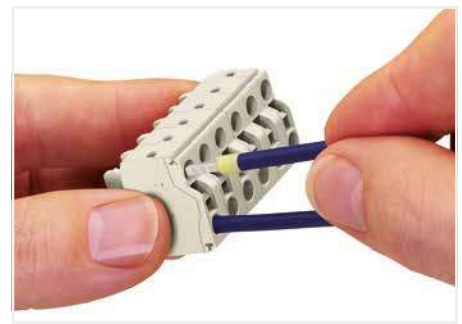
Pin spacing: 5 mm and 7.5 mm, Push-in CAGE CLAMP®



Labeling via direct marking or self-adhesive strips.

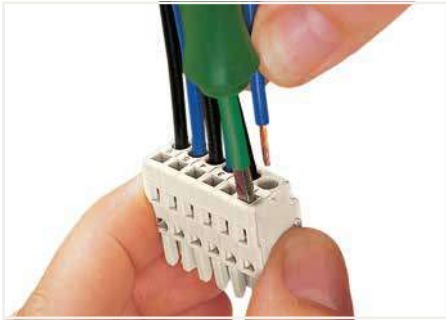


Inserting a fine-stranded conductor via 3.5 mm screwdriver into a 2-conductor female connector equipped with Push-in CAGE CLAMP®.

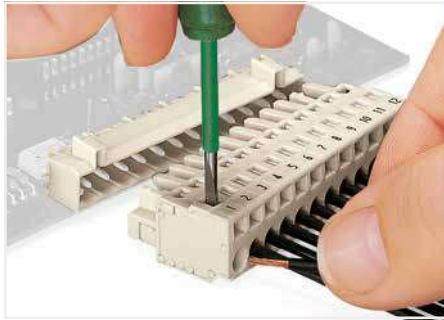


Push-in termination of solid conductors or fine-stranded conductors with ferrule

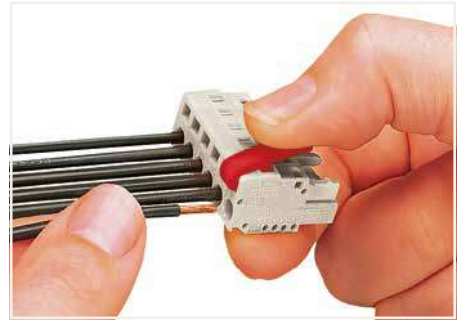
MCS MIDI, 100 % Protected Against Mismatching Description and Installation



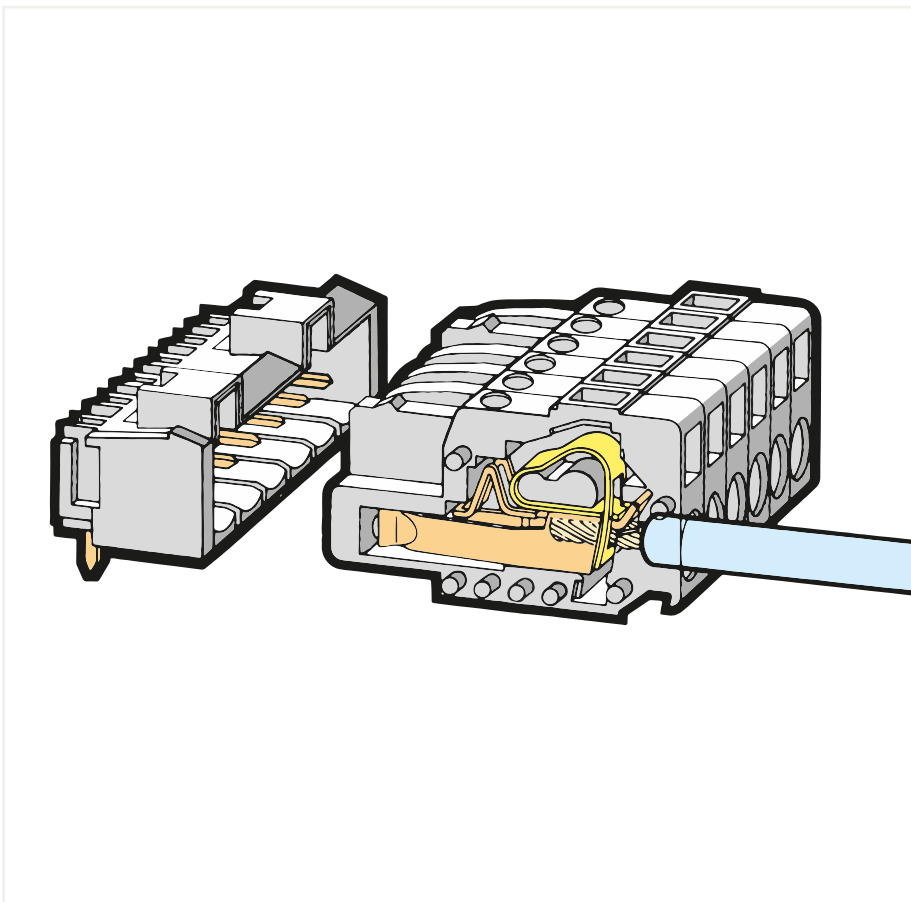
Inserting a conductor via 3.5 mm screwdriver – CAGE CLAMP® actuation parallel to conductor entry.



Inserting a conductor via 3.5 mm screwdriver – CAGE CLAMP® actuation perpendicular to conductor entry.



Inserting a conductor into CAGE CLAMP® unit via operating lever (231-291).



Pin spacing: 5 mm and 7.5 mm, CAGE CLAMP®



Connectors for 280 Series Rail-Mount Terminal Blocks



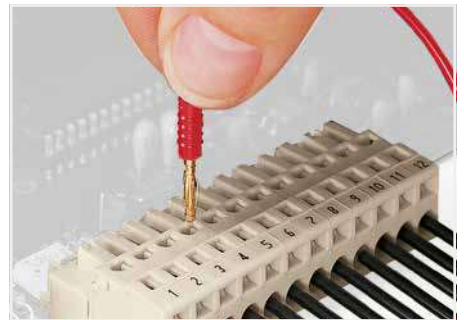
Angled female connector for panel mounting



Male connector with strain relief plate



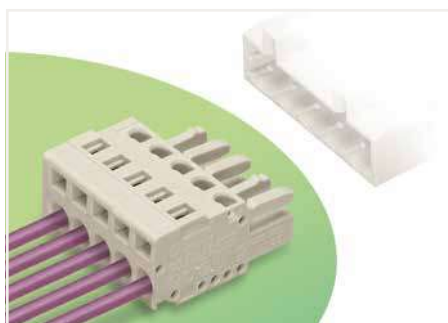
Strain relief housing shown with a male connector equipped with CAGE CLAMP®



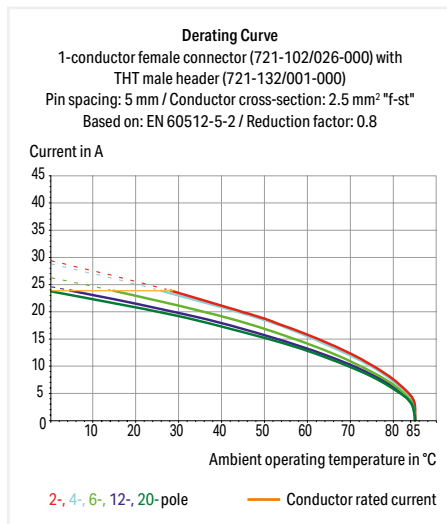
Testing perpendicular to conductor entry with 2 or 2.3 mm Ø test plug – female connector with CAGE CLAMP® – via integrated test ports

1-conductor female plug ▶ MCS MIDI ▶ 721 Series

Pin spacing: 5 mm / 0.197 inch ▶ Actuation type: Operating tool ▶ CAGE CLAMP® ▶ Conductor entry direction to mating direction: 0° ▶ Color: light gray



- Universal connection for all conductor types
- Easy cable pre-assembly and on-unit wiring via vertical and horizontal CAGE CLAMP® actuation
- Integrated test ports
- 100% protected against mismatching
- Coding option available



Electrical Data

Ratings per	IEC/EN 60664-1		
Overvoltage category	III	III	II
Pollution degree	3	2	2
Rated voltage	320 V	320 V	630 V
Rated impulse voltage	4 kV	4 kV	4 kV
Rated current	16 A	16 A	16 A
Approbations per	UL 1059		
Use group	B	C	D
Rated voltage	300 V	-	300 V
Rated current	15 A	-	10 A
Approbations per	UL 1977		
Rated voltage	600 V		
Rated current	15 A		
Approbations per	CSA		
Use group	B	C	D
Rated voltage	300 V	-	300 V
Rated current	15 A	-	10 A

Connection Data

Connection technology	CAGE CLAMP®
Strip length	8 ... 9 mm / 0.31 ... 0.35 inch
Solid conductor	0.08 ... 2.5 mm ² / 28 ... 12 AWG
Fine-stranded conductor	0.08 ... 2.5 mm ² / 28 ... 12 AWG
Fine-stranded conductor; with insulated ferrule	0.25 ... 1.5 mm ²
Fine-stranded conductor; with uninsulated ferrule	0.25 ... 2.5 mm ²

Material Data

Material group	I
Insulation material	Polyamide (PA66)
Flammability class per UL94	V0
Clamping spring material	Chrome nickel spring steel (CrNi)
Contact material	Copper alloy
Contact plating	Tin-plated

Environmental Requirements

Limit temperature range	-60 ... +85 °C
-------------------------	----------------

The MCS – MULTI CONNECTION SYSTEM includes connectors without breaking capacity in accordance with DIN EN 61984. When used as intended, these connectors must not be connected/disconnected when live or under load. The circuit design should ensure header pins, which can be touched, are not live when unmated.

Ferrule	Page 879
General accessories	Page 541
Insulation stop	Page 541
Jumper	Page 547
Marking	Page 865
Mounting	Page 546
Mounting adapter	Page 547
Strain relief	Page 544
Test and measurement	Page 539, 886
Tool	Page 538
Direct marking	Page 548
Cutout dimensions	Page 552

See technical section for further information

For approvals and corresponding ratings, visit www.wago.com

1-conductor female plug ▶ MCS MIDI ▶ 721 Series

Pin spacing: 5 mm / 0.197 inch ▶ Actuation type: Operating tool ▶ CAGE CLAMP® ▶ Conductor entry direction to mating direction: 0° ▶ Color: light gray

Locking of plug-in connection: Locking lever

Mounting type: Feed-through mounting; Panel mounting
▶ Mounting type: Mounting flange



721-105/026-000



721-105/037-000

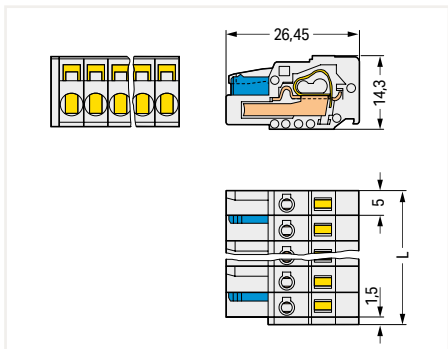


721-105/031-000

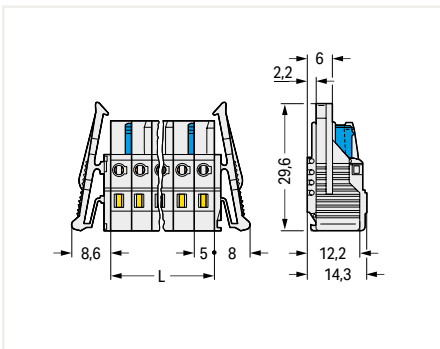
Pole No.	Item No.	PU
2	721-102/026-000	100
3	721-103/026-000	100
4	721-104/026-000	100
5	721-105/026-000	100
6	721-106/026-000	50
7	721-107/026-000	50
8	721-108/026-000	50
9	721-109/026-000	50
10	721-110/026-000	50
11	721-111/026-000	25
12	721-112/026-000	25
13	721-113/026-000	25
14	721-114/026-000	25
15	721-115/026-000	25
16	721-116/026-000	25
20	721-120/026-000	10

Pole No.	Item No.	PU
2	721-102/037-000	100
3	721-103/037-000	50
4	721-104/037-000	50
5	721-105/037-000	50
6	721-106/037-000	50
7	721-107/037-000	50
8	721-108/037-000	25
9	721-109/037-000	25
10	721-110/037-000	25
11	721-111/037-000	25
12	721-112/037-000	25
13	721-113/037-000	25
14	721-114/037-000	25
15	721-115/037-000	25
16	721-116/037-000	10
20	721-120/037-000	10

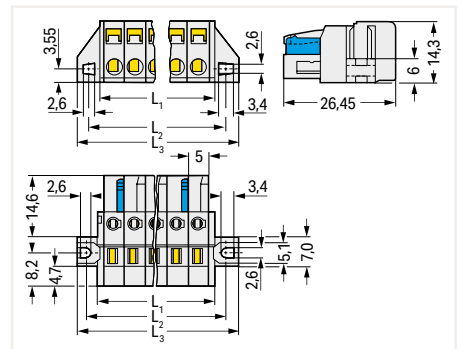
Pole No.	Item No.	PU
2	721-102/031-000	100
3	721-103/031-000	50
4	721-104/031-000	50
5	721-105/031-000	50
6	721-106/031-000	50
7	721-107/031-000	50
8	721-108/031-000	50
9	721-109/031-000	25
10	721-110/031-000	25
11	721-111/031-000	25
12	721-112/031-000	25
13	721-113/031-000	25
14	721-114/031-000	25
15	721-115/031-000	25
16	721-116/031-000	10
20	721-120/031-000	10



L = (pole no. x pin spacing) + 1.5 mm
2-pole female connectors – one latch only



L = pole no. x pin spacing
2-pole female connectors – one latch only



L₁ = (pole no. x pin spacing) + 3 mm
L₂ = (pole no. x pin spacing) + 8.8 mm
L₃ = (pole no. x pin spacing) + 14.8 mm
2-pole female connectors – one latch only

PU = Packaging Unit; SPU = Subpackaging Unit; Dimensions in mm

Other versions (or variants) can be requested from WAGO Sales or configured at <https://configurator.wago.com/>.

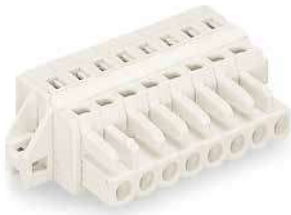
- Other pole numbers
- Gold-plated or partially gold-plated contact surfaces

1-conductor female plug ▶ MCS MIDI ▶ 721 Series

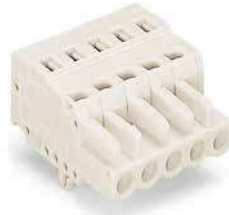
Pin spacing: 5 mm / 0.197 inch ▶ Actuation type: Operating tool ▶ CAGE CLAMP® ▶ Conductor entry direction to mating direction: 0° ▶ Color: light gray

Mounting type: Feed-through mounting; Panel mounting
▶ Mounting type: Mounting flange ▶ with reinforcing strips

Mounting type: Panel mounting ▶ Mounting type: Snap-in foot



721-108/027-000

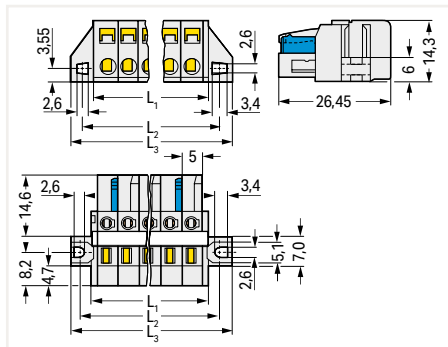


721-105/008-000

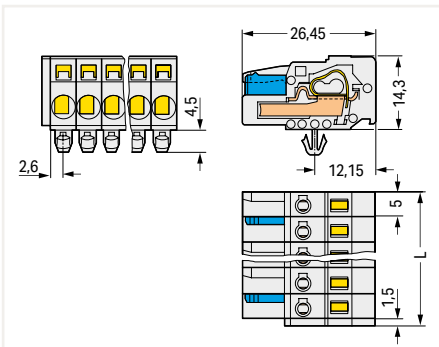
Pole No.	Item No.	PU
6	721-106/027-000	50
7	721-107/027-000	50
8	721-108/027-000	50
9	721-109/027-000	25
10	721-110/027-000	25
11	721-111/027-000	25
12	721-112/027-000	25
13	721-113/027-000	25
14	721-114/027-000	25
15	721-115/027-000	25
16	721-116/027-000	10
20	721-120/027-000	10

Pole No.	Item No.	PU
2	721-102/008-000	100
3	721-103/008-000	100
4	721-104/008-000	100
5	721-105/008-000	100
6	721-106/008-000	50
7	721-107/008-000	50
8	721-108/008-000	50
9	721-109/008-000	50
10	721-110/008-000	50
11	721-111/008-000	25
12	721-112/008-000	25
13	721-113/008-000	25
14	721-114/008-000	25
15	721-115/008-000	25
16	721-116/008-000	25
20	721-120/008-000	10

8



$L_1 = (\text{pole no.} \times \text{pin spacing}) + 3 \text{ mm}$
 $L_2 = (\text{pole no.} \times \text{pin spacing}) + 8.8 \text{ mm}$
 $L_3 = (\text{pole no.} \times \text{pin spacing}) + 14.8 \text{ mm}$
 2-pole female connectors – one latch only



$L = (\text{pole no.} \times \text{pin spacing}) + 1.5 \text{ mm}$
 2-pole female connectors – one latch only

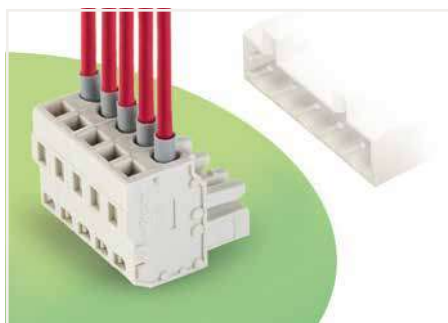
PU = Packaging Unit; SPU = Subpackaging Unit; Dimensions in mm

Other versions (or variants) can be requested from WAGO Sales or configured at <https://configurator.wago.com/>.

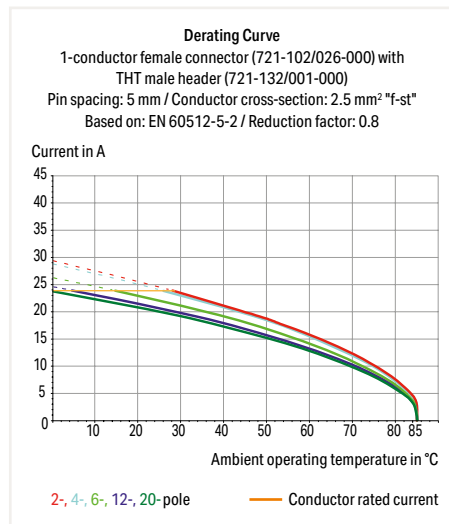
- Other pole numbers
- Gold-plated or partially gold-plated contact surfaces

1-conductor female plug ▶ MCS MIDI ▶ 722 Series

Pin spacing: 5 mm / 0.197 inch ▶ Actuation type: Operating tool ▶ CAGE CLAMP® ▶ Color: light gray



- Universal connection for all conductor types
- Easy cable pre-assembly and on-unit wiring via vertical and horizontal CAGE CLAMP® actuation
- Integrated test ports
- 100% protected against mismatching
- Coding option available



Electrical Data

Ratings per	IEC/EN 60664-1		
Overvoltage category	III	III	II
Pollution degree	3	2	2
Rated voltage	320 V	320 V	630 V
Rated impulse voltage	4 kV	4 kV	4 kV
Rated current	14 A	14 A	14 A
Approbations per	UL 1059		
Use group	B	C	D
Rated voltage	300 V	-	300 V
Rated current	15 A	-	10 A
Approbations per	UL 1977		
Rated voltage	600 V		
Rated current	15 A		
Approbations per	CSA		
Use group	B	C	D
Rated voltage	300 V	-	300 V
Rated current	15 A	-	10 A

Connection Data

Connection technology	CAGE CLAMP®
Strip length	8 ... 9 mm / 0.31 ... 0.35 inch
Solid conductor	0.08 ... 2.5 mm ² / 28 ... 12 AWG
Fine-stranded conductor	0.08 ... 2.5 mm ² / 28 ... 12 AWG
Fine-stranded conductor; with insulated ferrule	0.25 ... 1.5 mm ²
Fine-stranded conductor; with uninsulated ferrule	0.25 ... 2.5 mm ²

Material Data

Material group	I
Insulation material	Polyamide (PA66)
Flammability class per UL94	V0
Clamping spring material	Chrome nickel spring steel (CrNi)
Contact material	Copper alloy
Contact plating	Tin-plated

Environmental Requirements

Limit temperature range	-60 ... +85 °C
-------------------------	----------------

The MCS – MULTI CONNECTION SYSTEM includes connectors without breaking capacity in accordance with DIN EN 61984. When used as intended, these connectors must not be connected/disconnected when live or under load. The circuit design should ensure header pins, which can be touched, are not live when unmated.

Ferrule	Page 879
General accessories	Page 541
Insulation stop	Page 541
Jumper	Page 547
Marking	Page 865
Strain relief	Page 544
Test and measurement	Page 539, 886
Tool	Page 538
Direct marking	Page 548

See technical section for further information

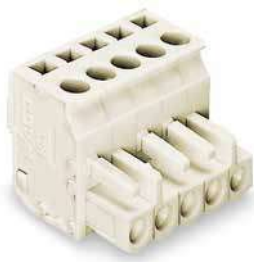
For approvals and corresponding ratings, visit www.wago.com

1-conductor female plug ▶ MCS MIDI ▶ 722 Series

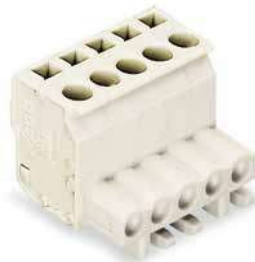
Pin spacing: 5 mm / 0.197 inch ▶ Actuation type: Operating tool ▶ CAGE CLAMP® ▶ Color: light gray

Conductor entry direction to mating direction: 90°

Conductor entry direction to mating direction: 270°



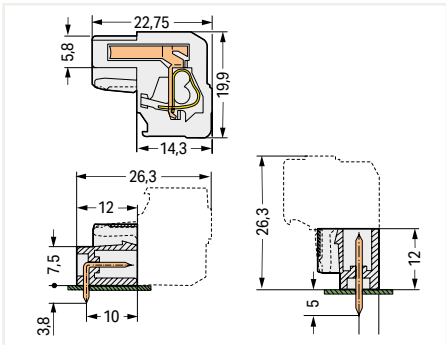
722-205/026-000



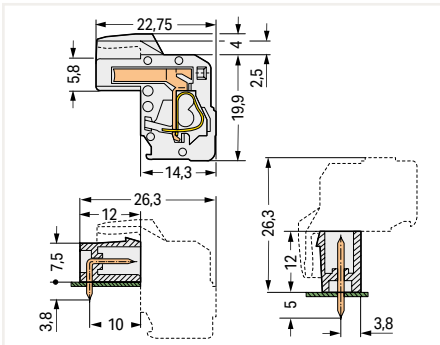
722-105/026-000

Pole No.	Item No.	PU
2	722-202/026-000	100
3	722-203/026-000	100
4	722-204/026-000	100
5	722-205/026-000	100
6	722-206/026-000	50
7	722-207/026-000	25
8	722-208/026-000	25
9	722-209/026-000	25
10	722-210/026-000	25
11	722-211/026-000	25
12	722-212/026-000	25
13	722-213/026-000	25
14	722-214/026-000	25
15	722-215/026-000	25
16	722-216/026-000	10
20	722-220/026-000	10

Pole No.	Item No.	PU
2	722-102/026-000	100
3	722-103/026-000	100
4	722-104/026-000	100
5	722-105/026-000	100
6	722-106/026-000	50
7	722-107/026-000	50
8	722-108/026-000	50
9	722-109/026-000	50
10	722-110/026-000	50
11	722-111/026-000	25
12	722-112/026-000	25
14	722-114/026-000	25
16	722-116/026-000	25
20	722-120/026-000	10



Total length = (pole no. x pin spacing) + 1.5 mm + 0.9 mm
2-pole female connectors – one latch only



Total length = (pole no. x pin spacing) + 1.5 mm + 0.9 mm
2-pole female connectors – one latch only

PU = Packaging Unit; SPU = Subpackaging Unit; Dimensions in mm

Other versions (or variants) can be requested from WAGO Sales or configured at <https://configurator.wago.com/>.

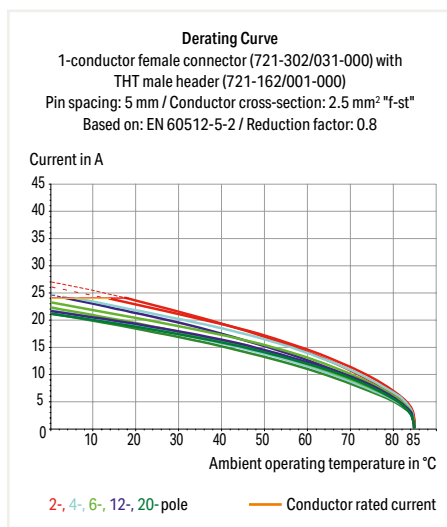
- Other pole numbers
- Gold-plated or partially gold-plated contact surfaces

1-conductor female plug ▶ MCS MIDI ▶ 721 Series

Pin spacing: 5 mm / 0.197 inch ▶ Actuation type: Operating tool ▶ CAGE CLAMP® ▶ Conductor entry direction to mating direction: 90 ° ▶ Color: light gray



- Universal connection for all conductor types
- Available with snap-in mounting feet or flanges for panel or through-panel mounting
- Mounting adapter allows versions with snap-in mounting feet to be DIN-35 rail mounted
- Easy conductor termination, even when halves are mated
- 100% protected against mismatching



Electrical Data

Ratings per	IEC/EN 60664-1		
Overvoltage category	III	III	II
Pollution degree	3	2	2
Rated voltage	320 V	320 V	630 V
Rated impulse voltage	4 kV	4 kV	4 kV
Rated current	12 A	12 A	12 A
Approbations per	UL 1059		
Use group	B	C	D
Rated voltage	300 V	-	300 V
Rated current	15 A	-	10 A
Approbations per	UL 1977		
Rated voltage	600 V		
Rated current	15 A		
Approbations per	CSA		
Use group	B	C	D
Rated voltage	300 V	-	300 V
Rated current	15 A	-	10 A

Connection Data

Connection technology	CAGE CLAMP®
Strip length	7 ... 8 mm / 0.28 ... 0.31 inch
Solid conductor	0.08 ... 2.5 mm ² / 28 ... 12 AWG
Fine-stranded conductor	0.08 ... 2.5 mm ² / 28 ... 12 AWG
Fine-stranded conductor; with insulated ferrule	0.25 ... 1.5 mm ²
Fine-stranded conductor; with uninsulated ferrule	0.25 ... 2.5 mm ²

Material Data

Material group	I
Insulation material	Polyamide (PA66)
Flammability class per UL94	V0
Clamping spring material	Chrome nickel spring steel (CrNi)
Contact material	Copper alloy
Contact plating	Tin-plated

Environmental Requirements

Limit temperature range	-60 ... +85 °C
-------------------------	----------------

The MCS – MULTI CONNECTION SYSTEM includes connectors without breaking capacity in accordance with DIN EN 61984. When used as intended, these connectors must not be connected/disconnected when live or under load. The circuit design should ensure header pins, which can be touched, are not live when unmated.

Ferrule	Page 879
General accessories	Page 541
Jumper	Page 547
Marking	Page 865
Mounting	Page 546
Strain relief	Page 544
Test and measurement	Page 539
Tool	Page 538
Direct marking	Page 548
Cutout dimensions	Page 552

See technical section for further information

For approvals and corresponding ratings, visit www.wago.com

1-conductor female plug ▶ MCS MIDI ▶ 721 Series

Pin spacing: 5 mm / 0.197 inch ▶ Actuation type: Operating tool ▶ CAGE CLAMP® ▶ Conductor entry direction to mating direction: 90 ° ▶ Color: light gray

Mounting type: Feed-through mounting; Panel mounting
▶ Mounting type: Snap-in foot

Mounting type: Panel mounting ▶ Mounting type: Mounting flange



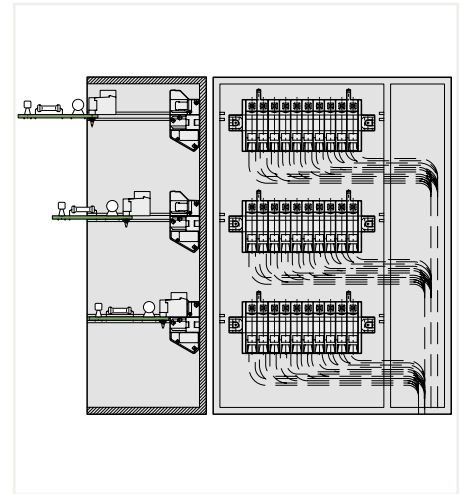
721-305/008-000



721-305/031-000

Pole No.	Item No.	PU
2	721-302/008-000	100
3	721-303/008-000	50
4	721-304/008-000	50
5	721-305/008-000	50
6	721-306/008-000	50
7	721-307/008-000	50
8	721-308/008-000	50
9	721-309/008-000	50
10	721-310/008-000	50
11	721-311/008-000	25
12	721-312/008-000	25
13	721-313/008-000	25
14	721-314/008-000	25
15	721-315/008-000	25
16	721-316/008-000	25
20	721-320/008-000	10

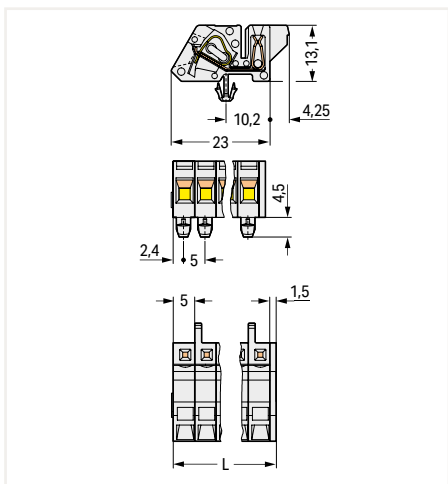
Pole No.	Item No.	PU
2	721-302/031-000	100
3	721-303/031-000	50
4	721-304/031-000	50
5	721-305/031-000	50
6	721-306/031-000	50
7	721-307/031-000	50
8	721-308/031-000	50
9	721-309/031-000	25
10	721-310/031-000	25
11	721-311/031-000	25
12	721-312/031-000	25
13	721-313/031-000	25
14	721-314/031-000	25
15	721-315/031-000	10
16	721-316/031-000	10
20	721-320/031-000	10



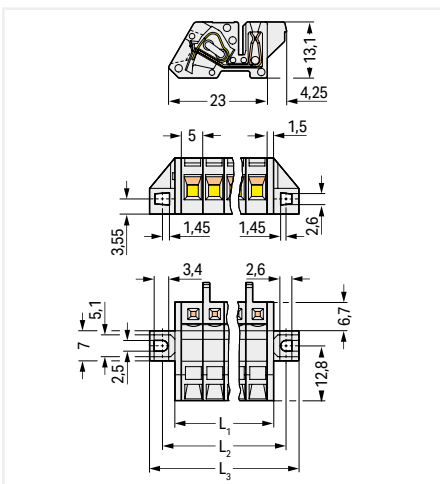
Multilevel arrangement in a distributed electronic housing



Angled female connector – a male header with straight solder pins is used for horizontal PCB mounting in narrow housings.



$L = (\text{pole no.} \times \text{pin spacing}) + 1.5 \text{ mm}$



$L_1 = (\text{pole no.} \times \text{pin spacing}) + 3 \text{ mm}$
 $L_2 = (\text{pole no.} \times \text{pin spacing}) + 8.8 \text{ mm}$
 $L_3 = (\text{pole no.} \times \text{pin spacing}) + 14.8 \text{ mm}$

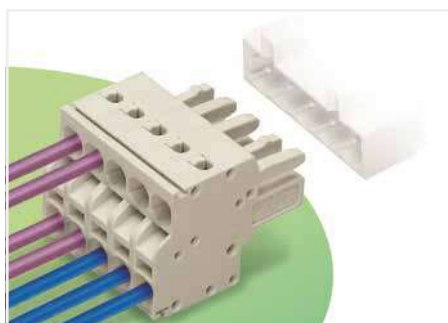
PU = Packaging Unit; SPU = Subpackaging Unit; Dimensions in mm

Other versions (or variants) can be requested from WAGO Sales or configured at <https://configurator.wago.com/>.

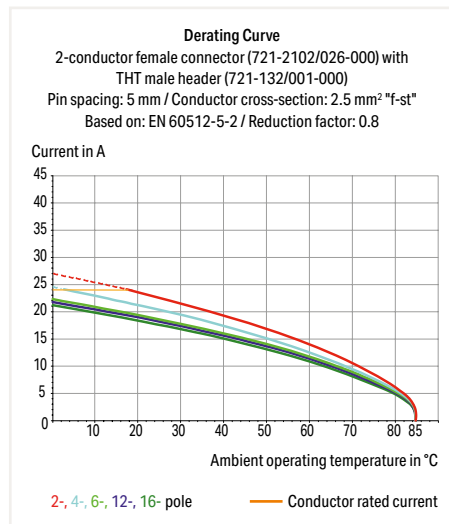
- Other pole numbers
- Gold-plated or partially gold-plated contact surfaces

2-conductor female connector ▶ MCS MIDI ▶ 721 Series

Pin spacing: 5 mm / 0.197 inch ▶ Actuation type: Operating tool ▶ Push-in CAGE CLAMP® ▶ Conductor entry direction to mating direction: 0° ▶ Color: light gray



- Universal connection for all conductor types
- Two conductor entries per pole
- For looping through power or data buses
- Bus connection is retained, even when unmated
- Push-in terminations of solid and ferruled conductors
- 100% protected against mismating
- With coding fingers

**Electrical Data**

Ratings per	IEC/EN 60664-1		
Overvoltage category	III	III	II
Pollution degree	3	2	2
Rated voltage	320 V	320 V	630 V
Rated impulse voltage	4 kV	4 kV	4 kV
Rated current	16 A	16 A	16 A
Approbations per	UL 1059		
Use group	B	C	D
Rated voltage	300 V	-	300 V
Rated current	20 A	-	10 A
Approbations per	UL 1977		
Rated voltage	600 V		
Rated current	20 A		
Approbations per	CSA		
Use group	B	C	D
Rated voltage	300 V	-	300 V
Rated current	15 A	-	10 A

Connection Data

Connection technology	Push-in CAGE CLAMP®
Strip length	9 ... 10 mm / 0.35 ... 0.39 inch
Solid conductor	0.2 ... 2.5 mm ² / 24 ... 12 AWG
Fine-stranded conductor	0.2 ... 2.5 mm ² / 24 ... 12 AWG
Fine-stranded conductor; with insulated ferrule	0.25 ... 1.5 mm ²
Fine-stranded conductor; with uninsulated ferrule	0.25 ... 2.5 mm ²

Material Data

Material group	I
Insulation material	Polyamide (PA66)
Flammability class per UL94	V0
Clamping spring material	Chrome nickel spring steel (CrNi)
Contact material	Copper alloy
Contact plating	Tin-plated

Environmental Requirements

Limit temperature range	-60 ... +85 °C
-------------------------	----------------

The MCS – MULTI CONNECTION SYSTEM includes connectors without breaking capacity in accordance with DIN EN 61984. When used as intended, these connectors must not be connected/disconnected when live or under load. The circuit design should ensure header pins, which can be touched, are not live when unmated.

Ferrule	Page 879
Insulation stop	Page 541
Marking	Page 865
Strain relief	Page 543
Test and measurement	Page 539, 886
Tool	Page 539
Direct marking	Page 548
See technical section for further information	
For approvals and corresponding ratings, visit www.wago.com	

2-conductor female connector ▶ MCS MIDI ▶ 721 Series

Pin spacing: 5 mm / 0.197 inch ▶ Actuation type: Operating tool ▶ Push-in CAGE CLAMP® ▶ Conductor entry direction to mating direction: 0° ▶ Color: light gray

Locking of plug-in connection: Locking lever

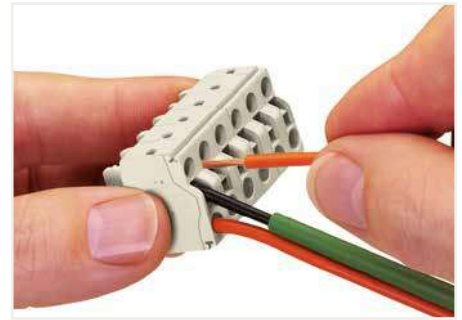


721-2106/026-000

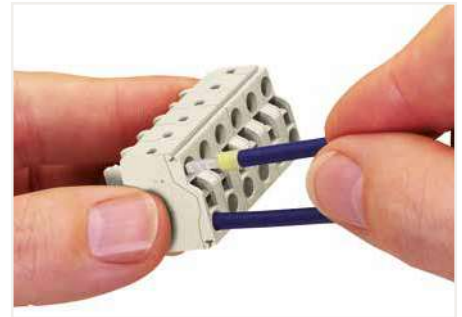
721-2106/037-000

Pole No.	Item No.	PU
2	721-2102/026-000	100
3	721-2103/026-000	100
4	721-2104/026-000	100
5	721-2105/026-000	50
6	721-2106/026-000	50
7	721-2107/026-000	50
8	721-2108/026-000	50
9	721-2109/026-000	50
10	721-2110/026-000	50
11	721-2111/026-000	25
12	721-2112/026-000	25
13	721-2113/026-000	25
14	721-2114/026-000	25
15	721-2115/026-000	25
16	721-2116/026-000	25

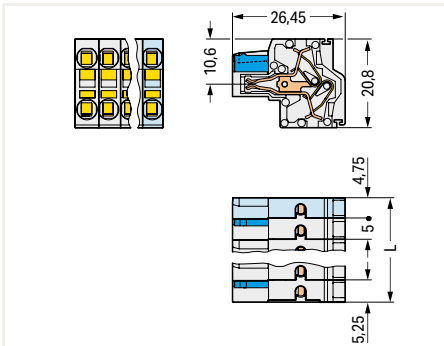
Pole No.	Item No.	PU
2	721-2102/037-000	100
3	721-2103/037-000	50
4	721-2104/037-000	50
5	721-2105/037-000	50
6	721-2106/037-000	50
7	721-2107/037-000	50
8	721-2108/037-000	25
9	721-2109/037-000	25
10	721-2110/037-000	25
11	721-2111/037-000	25
12	721-2112/037-000	25
13	721-2113/037-000	25
14	721-2114/037-000	25
15	721-2115/037-000	10
16	721-2116/037-000	10



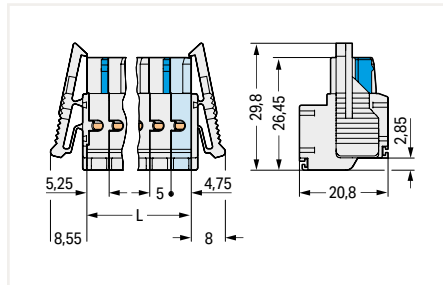
Operating Push-in CAGE CLAMP® is easy, fast and identical to that of CAGE CLAMP®. The screwdriver is fully inserted into the operating slot, holding Push-in CAGE CLAMP® open. After the conductor has been inserted into the clamping unit and the screwdriver been withdrawn, the conductor is clamped safely. Solid and fine-stranded conductors < 0.5 mm² (20 AWG) are terminated and removed using a screwdriver.



Solid conductors ≥ 0.5 mm² (20 AWG), as well as ferruled, fine-stranded conductors can be terminated by simply pushing them into unit. Integrated test ports allow touch contact with current bar via test probes in both horizontal and vertical directions.



L = (pole no. - 2) x pin spacing + 10 mm
2-pole female connectors – one latch only



L = (pole no. - 2) x pin spacing + 10 mm
2-pole female connectors – one latch only

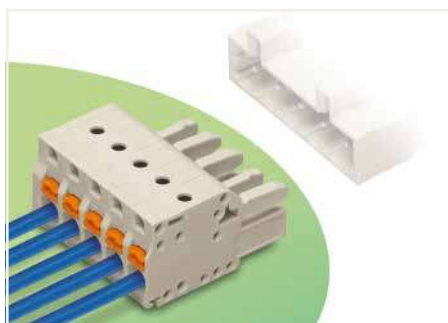
PU = Packaging Unit; SPU = Subpackaging Unit; Dimensions in mm

Other versions (or variants) can be requested from WAGO Sales or configured at <https://configurator.wago.com/>.

- Other pole numbers
- Gold-plated or partially gold-plated contact surfaces

1-conductor female plug ▶ MCS MIDI ▶ 2721 Series

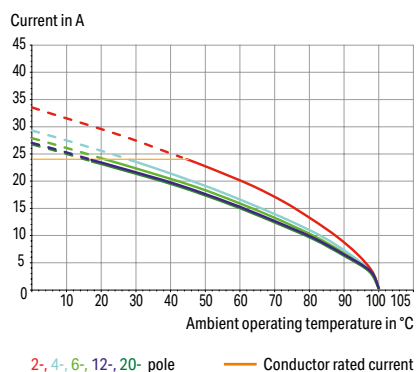
Pin spacing: 5 mm / 0.197 inch ▶ Actuation type: Push-button ▶ Push-in CAGE CLAMP® ▶ Conductor entry direction to mating direction: 0° ▶ Color: light gray



- Universal connection for all conductor types
- Easy-to-use design does not require specialty tools
- Ability to wire while mated
- Simple, push-in termination of solid and ferruled conductors
- Integrated test ports for testing parallel to the conductor entry
- 100% protected against mismatching
- Coding option available

Derating Curve

1-conductor female connector (2721-102/026-000) with
THT male header (721-162/001-000)
Pin spacing: 5 mm / Conductor cross-section: 2.5 mm² "f-st"
Based on: EN 60512-5-2 / Reduction factor: 0.8



Electrical Data

Ratings per	IEC/EN 60664-1		
Overvoltage category	III	III	II
Pollution degree	3	2	2
Rated voltage	320 V	320 V	630 V
Rated impulse voltage	4 kV	4 kV	4 kV
Rated current	16 A	16 A	16 A
Approbations per	UL 1059		
Use group	B	C	D
Rated voltage	300 V	150 V	300 V
Rated current	15 A	15 A	10 A
Approbations per	UL 1977		
Rated voltage	600 V		
Rated current	15 A		
Approbations per	CSA		
Use group	B	C	D
Rated voltage	300 V	300 V	300 V
Rated current	15 A	15 A	10 A

Connection Data

Connection technology	Push-in CAGE CLAMP®
Strip length	10 ... 11 mm / 0.39 ... 0.43 inch
Solid conductor	0.2 ... 2.5 mm ² / 24 ... 12 AWG
Fine-stranded conductor	0.2 ... 2.5 mm ² / 24 ... 12 AWG
Fine-stranded conductor; with insulated ferrule	0.25 ... 1.5 mm ²
Fine-stranded conductor; with uninsulated ferrule	0.25 ... 2.5 mm ²

Material Data

Material group	I
Insulation material	Polyamide (PA66)
Flammability class per UL94	V0
Clamping spring material	Chrome nickel spring steel (CrNi)
Contact material	Copper alloy
Contact plating	Tin-plated

Environmental Requirements

Limit temperature range	-60 ... +100 °C
-------------------------	-----------------

The MCS – MULTI CONNECTION SYSTEM includes connectors without breaking capacity in accordance with DIN EN 61984. When used as intended, these connectors must not be connected/disconnected when live or under load. The circuit design should ensure header pins, which can be touched, are not live when unmated.

Ferrule	Page 879
Insulation stop	Page 541
Marking	Page 865
Mounting	Page 546
Mounting adapter	Page 547
Strain relief	Page 543
Test and measurement	Page 539, 886
Tool	Page 538, 870
Direct marking	Page 548
Cutout dimensions	Page 552
See technical section for further information	
For approvals and corresponding ratings, visit www.wago.com	

1-conductor female plug ▶ MCS MIDI ▶ 2721 Series

Pin spacing: 5 mm / 0.197 inch ▶ Actuation type: Push-button ▶ Push-in CAGE CLAMP® ▶ Conductor entry direction to mating direction: 0° ▶ Color: light gray

Locking of plug-in connection: Locking lever

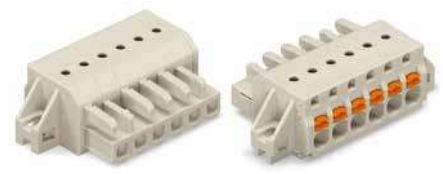
Mounting type: Feed-through mounting; Panel mounting
▶ Mounting type: Mounting flange



2721-106/026-000



2721-106/037-000

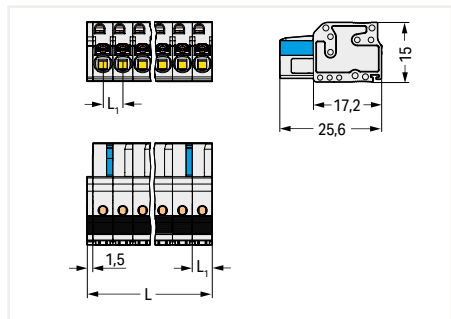


2721-106/031-000

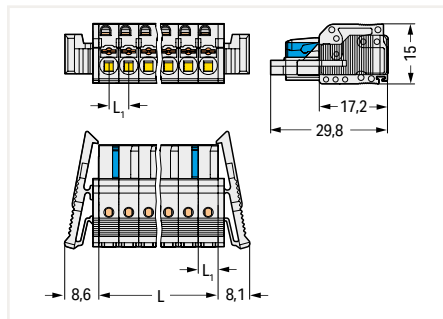
Pole No.	Item No.	PU
2	2721-102/026-000	100
3	2721-103/026-000	100
4	2721-104/026-000	100
5	2721-105/026-000	100
5	2721-115/026-000	25
6	2721-106/026-000	50
7	2721-107/026-000	50
8	2721-108/026-000	50
9	2721-109/026-000	50
10	2721-110/026-000	50
11	2721-111/026-000	25
12	2721-112/026-000	25
13	2721-113/026-000	25
14	2721-114/026-000	25
16	2721-116/026-000	25
20	2721-120/026-000	10

Pole No.	Item No.	PU
2	2721-102/037-000	100
3	2721-103/037-000	50
4	2721-104/037-000	50
5	2721-105/037-000	50
6	2721-106/037-000	50
7	2721-107/037-000	50
8	2721-108/037-000	25
9	2721-109/037-000	25
10	2721-110/037-000	25
11	2721-111/037-000	25
12	2721-112/037-000	25
14	2721-114/037-000	25
15	2721-115/037-000	25
16	2721-116/037-000	10
20	2721-120/037-000	10

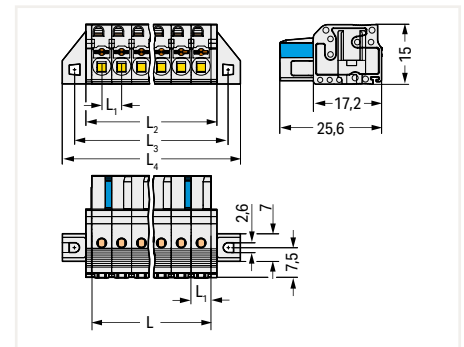
Pole No.	Item No.	PU
2	2721-102/031-000	100
3	2721-103/031-000	50
4	2721-104/031-000	50
5	2721-105/031-000	50
6	2721-106/031-000	50
7	2721-107/031-000	50
8	2721-108/031-000	50
9	2721-109/031-000	50
10	2721-110/031-000	25
12	2721-112/031-000	25
14	2721-114/031-000	10
16	2721-116/031-000	10
20	2721-120/031-000	10



L = (pole no. x pin spacing) + 1.5 mm
L₁ = 5 mm
2-pole female connectors – one latch only



L = (pole no. x pin spacing) + 1.5 mm
L₁ = 5 mm
2-pole female connectors – one latch only



L = pole no. x pin spacing
L₁ = 5 mm
L₂ = L + 2.8 mm
L₃ = L + 8.8 mm
L₄ = L + 14.8 mm
2-pole female connectors – one latch only

PU = Packaging Unit; SPU = Subpackaging Unit; Dimensions in mm

Other versions (or variants) can be requested from WAGO Sales or configured at <https://configurator.wago.com/>.

- Other pole numbers
- Gold-plated or partially gold-plated contact surfaces

1-conductor female plug ▶ MCS MIDI ▶ 2721 Series

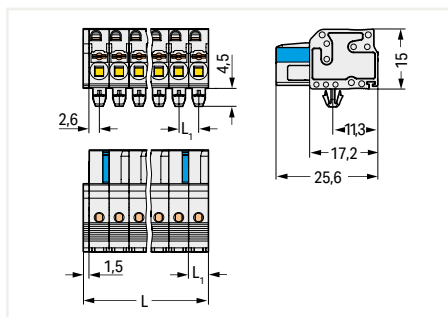
Pin spacing: 5 mm / 0.197 inch ▶ Actuation type: Push-button ▶ Push-in CAGE CLAMP® ▶ Conductor entry direction to mating direction: 0° ▶ Color: light gray

Mounting type: Panel mounting ▶ Mounting type: Snap-in foot



2721-106/008-000

Pole No.	Item No.	PU
2	2721-102/008-000	100
3	2721-103/008-000	100
4	2721-104/008-000	100
5	2721-105/008-000	100
6	2721-106/008-000	50
7	2721-107/008-000	50
8	2721-108/008-000	50
9	2721-109/008-000	50
10	2721-110/008-000	50
11	2721-111/008-000	25
12	2721-112/008-000	25
14	2721-114/008-000	25
15	2721-115/008-000	25
16	2721-116/008-000	25
20	2721-120/008-000	25



$L = (\text{pole no.} \times \text{pin spacing}) + 1.5 \text{ mm}$

$L_1 = 5 \text{ mm}$

2-pole female connectors – one latch only

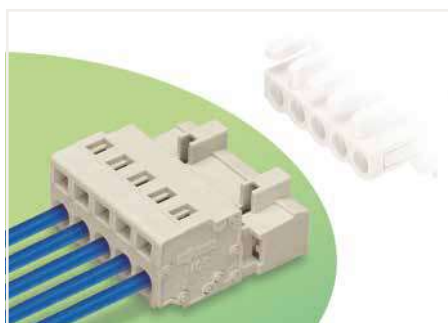
PU = Packaging Unit; SPU = Subpackaging Unit; Dimensions in mm

Other versions (or variants) can be requested from WAGO Sales or configured at <https://configurator.wago.com/>.

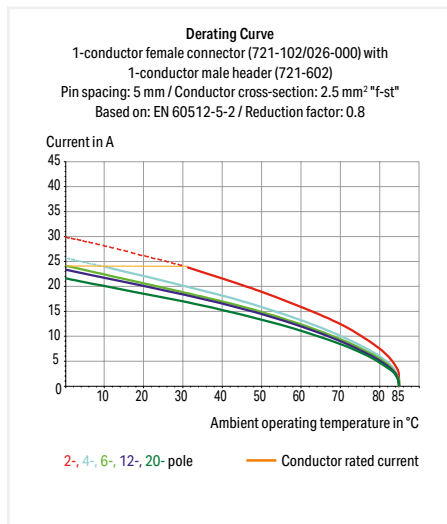
- Other pole numbers
- Gold-plated or partially gold-plated contact surfaces

1-conductor male connector ▶ MCS MIDI ▶ 721 Series

Pin spacing: 5 mm / 0.197 inch ▶ Actuation type: Operating tool ▶ CAGE CLAMP® ▶ Conductor entry direction to mating direction: 0° ▶ Color: light gray



- Universal connection for all conductor types
- Easy cable pre-assembly and on-unit wiring via vertical and horizontal CAGE CLAMP® actuation
- For wire-to-wire and board-to-wire connections
- Versions available with snap-in mounting feet or flanges for panel or through-panel mounting
- 3- to 5-pole male connectors are also available with preceding ground contact
- 100 % protected against mismatching
- With coding fingers

**Electrical Data**

Ratings per		IEC/EN 60664-1		
Overvoltage category	III	III	II	
Pollution degree	3	2	2	
Rated voltage	320 V	320 V	630 V	
Rated impulse voltage	4 kV	4 kV	4 kV	
Rated current	12 A	12 A	12 A	
Approbations per		UL 1059		
Use group	B	C	D	
Rated voltage	300 V	-	300 V	
Rated current	15 A	-	10 A	
Approbations per		UL 1977		
Rated voltage	600 V			
Rated current	15 A			
Approbations per		CSA		
Use group	B	C	D	
Rated voltage	300 V	-	300 V	
Rated current	15 A	-	10 A	

Connection Data

Connection technology	CAGE CLAMP®
Strip length	8 ... 9 mm / 0.31 ... 0.35 inch
Solid conductor	0.08 ... 2.5 mm ² / 28 ... 12 AWG
Fine-stranded conductor	0.08 ... 2.5 mm ² / 28 ... 12 AWG
Fine-stranded conductor; with insulated ferrule	0.25 ... 1.5 mm ²
Fine-stranded conductor; with uninsulated ferrule	0.25 ... 2.5 mm ²

Material Data

Material group	I
Insulation material	Polyamide (PA66)
Flammability class per UL94	V0
Clamping spring material	Chrome nickel spring steel (CrNi)
Contact material	Electrolytic copper (E _{cu})
Contact plating	Tin-plated

Environmental Requirements

Limit temperature range	-60 ... +100 °C
-------------------------	-----------------

The MCS – MULTI CONNECTION SYSTEM includes connectors without breaking capacity in accordance with DIN EN 61984. When used as intended, these connectors must not be connected/disconnected when live or under load. The circuit design should ensure header pins, which can be touched, are not live when unmated.

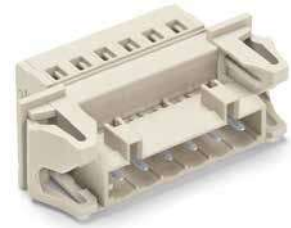
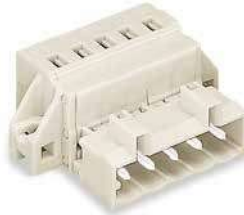
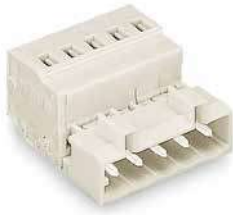
Coding	Page 540
Ferrule	Page 879
General accessories	Page 541
Insulation stop	Page 541
Jumper	Page 547
Marking	Page 865
Mounting	Page 546, 869
Mounting adapter	Page 547
Strain relief	Page 544
Tool	Page 538, 870
Direct marking	Page 548
Cutout dimensions	Page 552
See technical section for further information	
For approvals and corresponding ratings, visit www.wago.com	

1-conductor male connector ▶ MCS MIDI ▶ 721 Series

Pin spacing: 5 mm / 0.197 inch ▶ Actuation type: Operating tool ▶ CAGE CLAMP® ▶ Conductor entry direction to mating direction: 0° ▶ Color: light gray

Mounting type: Feed-through mounting; Panel mounting
▶ Mounting type: Mounting flange

Mounting type: Feed-through mounting ▶ Mounting type: Snap-in



721-606/019-000

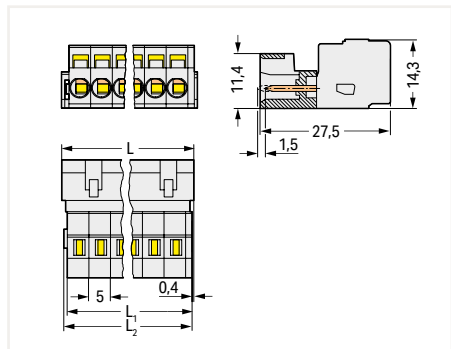
721-606/114-000

Pole No.	Item No.	PU
2	721-602	100
3	721-603	100
4	721-604	100
5	721-605	50
6	721-606	50
7	721-607	50
8	721-608	50
9	721-609	50
10	721-610	50
11	721-611	25
12	721-612	25
13	721-613	25
14	721-614	25
15	721-615	25
16	721-616	25
20	721-620	10

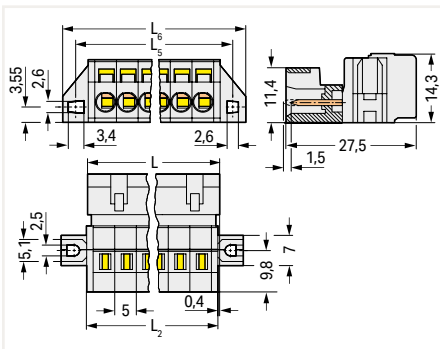
Pole No.	Item No.	PU
2	721-602/019-000	100
3	721-603/019-000	50
4	721-604/019-000	50
5	721-605/019-000	50
6	721-606/019-000	50
7	721-607/019-000	50
8	721-608/019-000	50
9	721-609/019-000	25
10	721-610/019-000	25
11	721-611/019-000	25
12	721-612/019-000	25
13	721-613/019-000	25
14	721-614/019-000	25
15	721-615/019-000	25
16	721-616/019-000	10
20	721-620/019-000	10

Pole No.	Item No.	PU
2	721-602/114-000	50
3	721-603/114-000	50
4	721-604/114-000	50
5	721-605/114-000	50
6	721-606/114-000	50
7	721-607/114-000	25
8	721-608/114-000	25
9	721-609/114-000	25
10	721-610/114-000	25
11	721-611/114-000	25
12	721-612/114-000	25
13	721-613/114-000	25
14	721-614/114-000	25
15	721-615/114-000	10
16	721-616/114-000	10
20	721-620/114-000	10

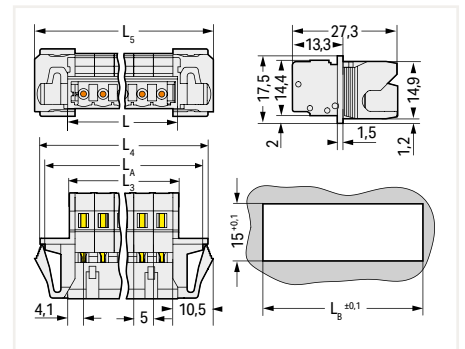
8



L = (pole no. - 1) x pin spacing + 8.2 mm
L₂ = L - 1.7 mm
L₃ = L - 1.2 mm



L = (pole no. - 1) x pin spacing + 8.2 mm
L₂ = L - 0.2 mm
L₅ = L₂ + 5.8 mm
L₆ = L₂ + 11.8 mm



L = (pole no. x pin spacing) + 3.2 mm
L₃ = L - 0.2 mm
L₄ = L₃ + 15.2 mm
L₅ = L₃ + 18 mm
L_A = L₃ + 12.6 mm
L_B = L₃ + 13.2 mm

PU = Packaging Unit; SPU = Subpackaging Unit; Dimensions in mm

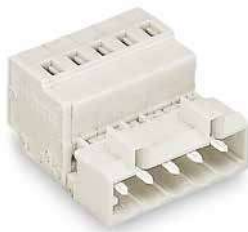
Other versions (or variants) can be requested from WAGO Sales or configured at <https://configurator.wago.com/>.

- Other pole numbers
- Gold-plated or partially gold-plated contact surfaces

1-conductor male connector ▶ MCS MIDI ▶ 721 Series

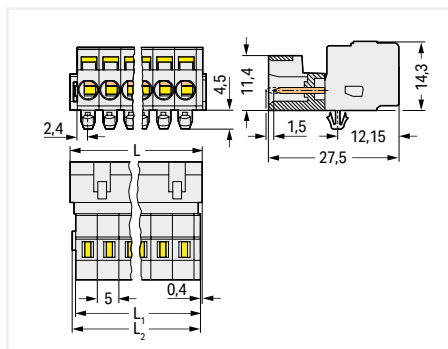
Pin spacing: 5 mm / 0.197 inch ▶ Actuation type: Operating tool ▶ CAGE CLAMP® ▶ Conductor entry direction to mating direction: 0° ▶ Color: light gray

Mounting type: Panel mounting ▶ Mounting type: Snap-in foot



721-605/018-000

Pole No.	Item No.	PU
2	721-602/018-000	100
3	721-603/018-000	100
4	721-604/018-000	100
5	721-605/018-000	50
6	721-606/018-000	50
7	721-607/018-000	50
8	721-608/018-000	50
9	721-609/018-000	50
10	721-610/018-000	50
11	721-611/018-000	25
12	721-612/018-000	25
13	721-613/018-000	25
14	721-614/018-000	25
15	721-615/018-000	25
16	721-616/018-000	25
20	721-620/018-000	10



$L = (\text{pole no.} - 1) \times \text{pin spacing} + 8.2 \text{ mm}$

$L_2 = L - 1.7 \text{ mm}$

$L_3 = L - 1.2 \text{ mm}$

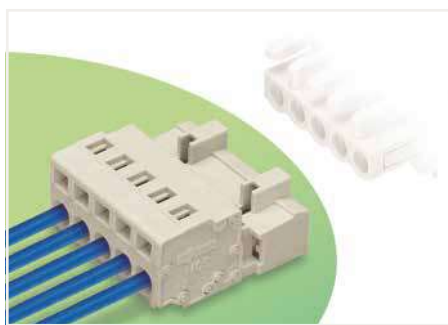
PU = Packaging Unit; SPU = Subpackaging Unit; Dimensions in mm

Other versions (or variants) can be requested from WAGO Sales or configured at <https://configurator.wago.com/>.

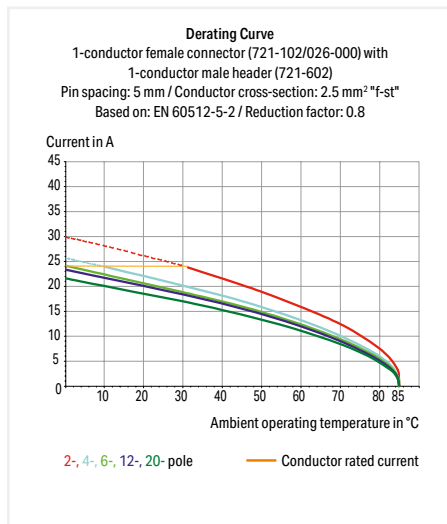
- Other pole numbers
- Gold-plated or partially gold-plated contact surfaces

1-conductor male connector ▶ MCS MIDI ▶ 721 Series

Pin spacing: 5 mm / 0.197 inch ▶ Actuation type: Operating tool ▶ CAGE CLAMP® ▶ with preceding ground contact ▶ Conductor entry direction to mating direction: 0° ▶ Color: light gray



- Universal connection for all conductor types
- Easy cable pre-assembly and on-unit wiring via vertical and horizontal CAGE CLAMP® actuation
- For wire-to-wire and board-to-wire connections
- Versions available with snap-in mounting feet or flanges for panel or through-panel mounting
- 3- to 5-pole male connectors are also available with preceding ground contact
- 100 % protected against mismatching
- With coding fingers



Electrical Data

Ratings per	IEC/EN 60664-1		
Overvoltage category	III	III	II
Pollution degree	3	2	2
Rated voltage	320 V	320 V	630 V
Rated impulse voltage	4 kV	4 kV	4 kV
Rated current	12 A	12 A	12 A
Approbations per	UL 1059		
Use group	B	C	D
Rated voltage	300 V	-	300 V
Rated current	15 A	-	10 A
Approbations per	UL 1977		
Rated voltage	600 V		
Rated current	15 A		
Approbations per	CSA		
Use group	B	C	D
Rated voltage	300 V	-	300 V
Rated current	15 A	-	10 A

Connection Data

Connection technology	CAGE CLAMP®
Strip length	8 ... 9 mm / 0.31 ... 0.35 inch
Solid conductor	0.08 ... 2.5 mm ² / 28 ... 12 AWG
Fine-stranded conductor	0.08 ... 2.5 mm ² / 28 ... 12 AWG
Fine-stranded conductor; with insulated ferrule	0.25 ... 1.5 mm ²
Fine-stranded conductor; with uninsulated ferrule	0.25 ... 2.5 mm ²

Material Data

Material group	I
Insulation material	Polyamide (PA66)
Flammability class per UL94	V0
Clamping spring material	Chrome nickel spring steel (CrNi)
Contact material	Electrolytic copper (E _{cu})
Contact plating	Tin-plated

Environmental Requirements

Limit temperature range	-60 ... +100 °C
-------------------------	-----------------

The MCS – MULTI CONNECTION SYSTEM includes connectors without breaking capacity in accordance with DIN EN 61984. When used as intended, these connectors must not be connected/disconnected when live or under load. The circuit design should ensure header pins, which can be touched, are not live when unmated.

Coding	Page 540
Ferrule	Page 879
General accessories	Page 541
Insulation stop	Page 541
Jumper	Page 547
Mounting	Page 546, 869
Mounting adapter	Page 547
Strain relief	Page 544
Tool	Page 538, 870
Direct marking	Page 548
Cutout dimensions	Page 552

See technical section for further information

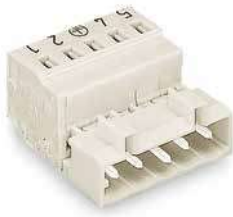
For approvals and corresponding ratings, visit www.wago.com

1-conductor male connector ▶ MCS MIDI ▶ 721 Series

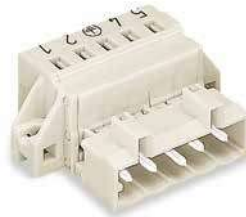
Pin spacing: 5 mm / 0.197 inch ▶ Actuation type: Operating tool ▶ CAGE CLAMP® ▶ with preceding ground contact ▶ Conductor entry direction to mating direction: 0° ▶ Color: light gray

Mounting type: Feed-through mounting; Panel mounting
▶ Mounting type: Mounting flange

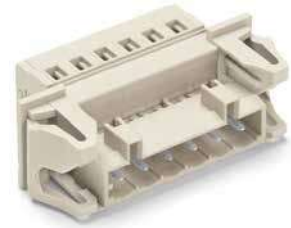
Mounting type: Feed-through mounting ▶ Mounting type: Snap-in



721-605/000-042



721-605/019-042

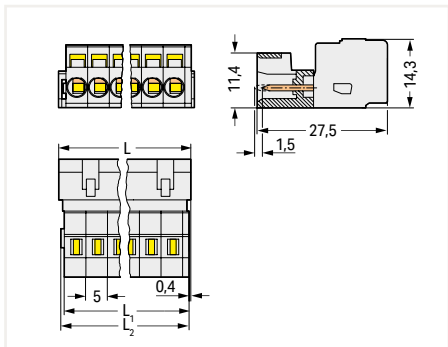


721-606/114-000

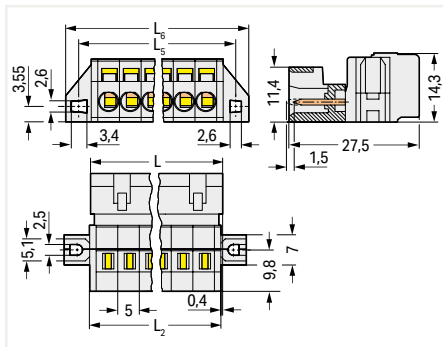
Pole No.	Item No.	PU
3	721-603/000-042	100
4	721-604/000-042	100
5	721-605/000-042	50

Pole No.	Item No.	PU
3	721-603/019-042	50
4	721-604/019-042	50
5	721-605/019-042	50

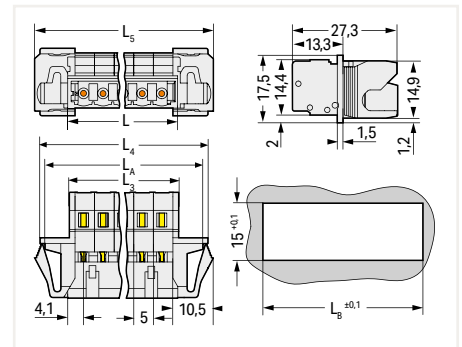
Pole No.	Item No.	PU
3	721-603/114-042	50
4	721-604/114-042	50
5	721-605/114-042	50



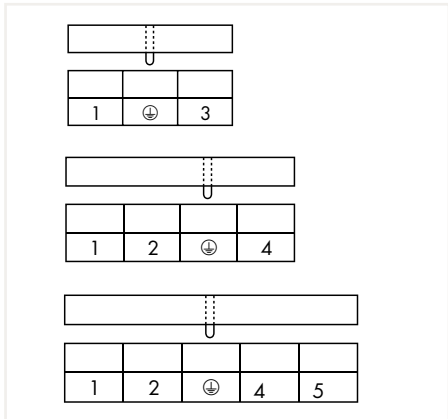
L = (pole no. - 1) x pin spacing + 8.2 mm
L₂ = L - 1.7 mm
L₃ = L - 1.2 mm



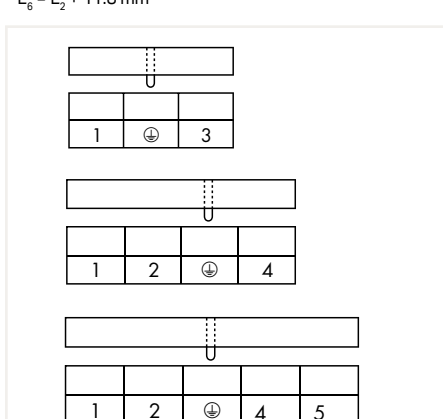
L = (pole no. - 1) x pin spacing + 8.2 mm
L₂ = L - 0.2 mm
L₅ = L₂ + 5.8 mm
L₆ = L₂ + 11.8 mm



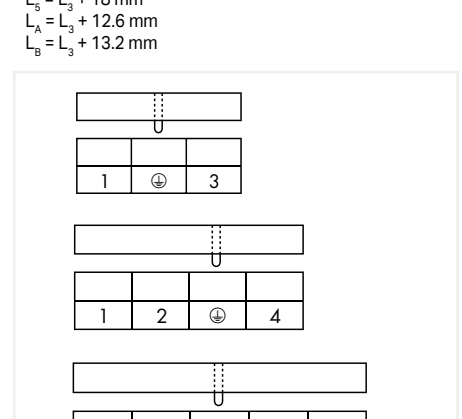
L = (pole no. x pin spacing) + 3.2 mm
L₃ = L - 0.2 mm
L₄ = L₃ + 15.2 mm
L₅ = L₃ + 18 mm
L₆ = L₃ + 12.6 mm
L₈ = L₃ + 13.2 mm



Preceding ground contact position



Preceding ground contact position



Preceding ground contact position

PU = Packaging Unit; SPU = Subpackaging Unit; Dimensions in mm

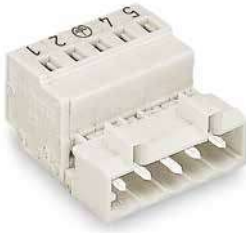
Other versions (or variants) can be requested from WAGO Sales or configured at <https://configurator.wago.com/>.

- Other pole numbers
- Gold-plated or partially gold-plated contact surfaces

1-conductor male connector ▶ MCS MIDI ▶ 721 Series

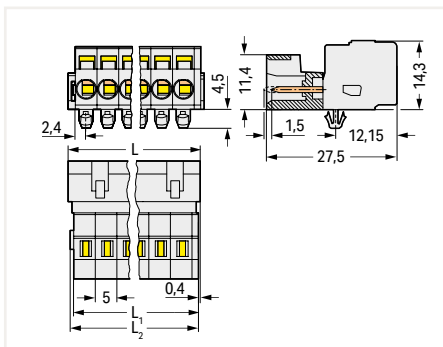
Pin spacing: 5 mm / 0.197 inch ▶ Actuation type: Operating tool ▶ CAGE CLAMP® ▶ with preceding ground contact ▶ Conductor entry direction to mating direction: 0° ▶ Color: light gray

Mounting type: Panel mounting ▶ Mounting type: Snap-in foot



721-605/018-042

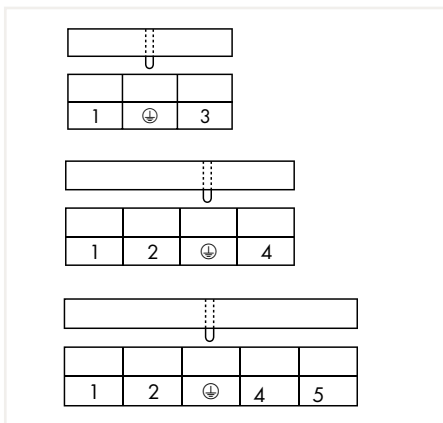
Pole No.	Item No.	PU
3	721-603/018-042	100
4	721-604/018-042	100
4	721-604/018-042/033-000	50
5	721-605/018-042	50



$L = (\text{pole no.} - 1) \times \text{pin spacing} + 8.2 \text{ mm}$

$L_2 = L - 1.7 \text{ mm}$

$L_3 = L - 1.2 \text{ mm}$



Preceding ground contact position

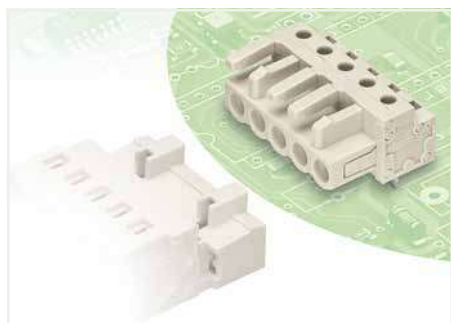
PU = Packaging Unit; SPU = Subpackaging Unit; Dimensions in mm

Other versions (or variants) can be requested from WAGO Sales or configured at <https://configurator.wago.com/>.

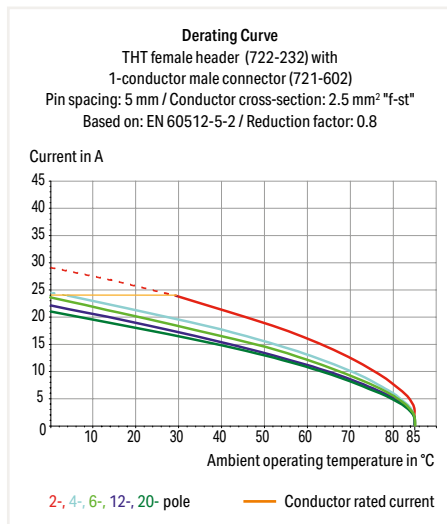
- Other pole numbers
- Gold-plated or partially gold-plated contact surfaces

THT female header ▶ MCS MIDI ▶ 722 Series

Pin spacing: 5 mm / 0.197 inch ▶ Solder pin dimensions: 0.6 x 1 mm ▶ Color: light gray



- Horizontal or vertical PCB mounting via straight or angled solder pins
- For board-to-board and board-to-wire connections
- Touch-proof PCB outputs
- Easy-to-identify PCB inputs and outputs
- 100 % protected against mismatching
- With coding fingers

**Electrical Data**

Ratings per		IEC/EN 60664-1		
Overvoltage category		III	III	II
Pollution degree		3	2	2
Rated voltage		320 V	320 V	630 V
Rated impulse voltage		4 kV	4 kV	4 kV
Rated current		12 A	12 A	12 A
Approbations per		UL 1059		
Use group		B	C	D
Rated voltage		300 V	-	300 V
Rated current		15 A	-	10 A
Approbations per		UL 1977		
Rated voltage		600 V		
Rated current		15 A		
Approbations per		CSA		
Use group		B	C	D
Rated voltage		300 V	-	300 V
Rated current		15 A	-	10 A

Material Data

Material group	I
Insulation material	Polyamide (PA66)
Flammability class per UL94	V0
Contact material	Copper alloy
Contact plating	Tin-plated

Mechanical Data

Solder pin arrangement	Over the entire female connector (in-line)
Solder pin length	5 mm
Solder pin dimensions	0.6 x 1 mm
Drilled hole diameter with tolerance	1.3 ^(±0.1) mm

Environmental Requirements

Limit temperature range	-60 ... +85 °C
-------------------------	----------------

The MCS – MULTI CONNECTION SYSTEM includes connectors without breaking capacity in accordance with DIN EN 61984. When used as intended, these connectors must not be connected/disconnected when live or under load. The circuit design should ensure header pins, which can be touched, are not live when unmated.

Mounting Page 869

Test and measurement Page 539, 886

Cutout dimensions Page 552

See technical section for further information

For approvals and corresponding ratings, visit www.wago.com

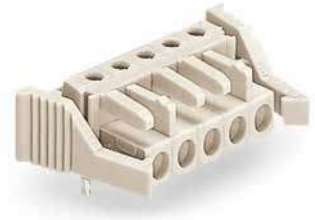
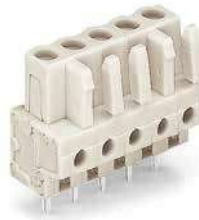
THT female header ▶ MCS MIDI ▶ 722 Series

Pin spacing: 5 mm / 0.197 inch ▶ Solder pin dimensions: 0.6 x 1 mm ▶ Color: light gray

Mating direction to the PCB: 0°

Mating direction to the PCB: 90°

Locking of plug-in connection: Locking lever ▶ Mating direction to the PCB: 0°



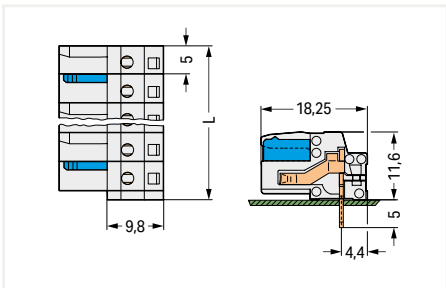
722-235

722-235/039-000

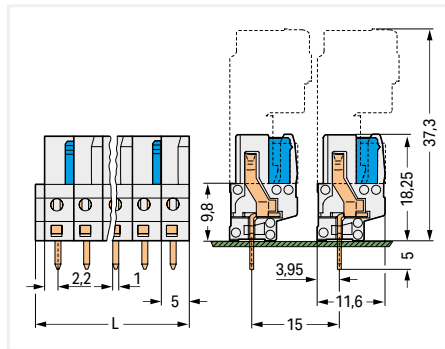
Pole No.	Item No.	PU
2	722-232	100
3	722-233	100
4	722-234	100
5	722-235	100
6	722-236	50
7	722-237	50
8	722-238	50
9	722-239	50
10	722-240	50
11	722-241	25
12	722-242	25
13	722-243	25
14	722-244	25
15	722-245	25
16	722-246	25
20	722-250	10

Pole No.	Item No.	PU
2	722-132	100
3	722-133	100
4	722-134	100
5	722-135	100
6	722-136	50
7	722-137	50
8	722-138	50
9	722-139	50
10	722-140	50
11	722-141	25
12	722-142	25
13	722-143	25
14	722-144	25
15	722-145	25
16	722-146	25
20	722-150	10

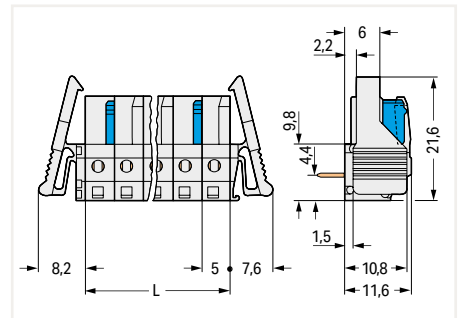
Pole No.	Item No.	PU
2	722-232/039-000	100
3	722-233/039-000	50
4	722-234/039-000	50
5	722-235/039-000	50
6	722-236/039-000	50
7	722-237/039-000	50
8	722-238/039-000	50
9	722-239/039-000	25
10	722-240/039-000	25
11	722-241/039-000	25
12	722-242/039-000	25
13	722-243/039-000	25
14	722-244/039-000	25
15	722-245/039-000	25
16	722-246/039-000	10
20	722-250/039-000	10



L = (pole no. x pin spacing) + 1.5 mm
2-pole female connectors – one latch only



L = (pole no. x pin spacing) + 1.5 mm
2-pole female connectors – one latch only



L = pole no. x pin spacing
2-pole female connectors – one latch only

PU = Packaging Unit; SPU = Subpackaging Unit; Dimensions in mm

Other versions (or variants) can be requested from WAGO Sales or configured at <https://configurator.wago.com/>.

- Other pole numbers
- 3.8 mm pin projection for male headers with straight solder pins
- Gold-plated or partially gold-plated contact surfaces

THT female header ▶ MCS MIDI ▶ 722 Series

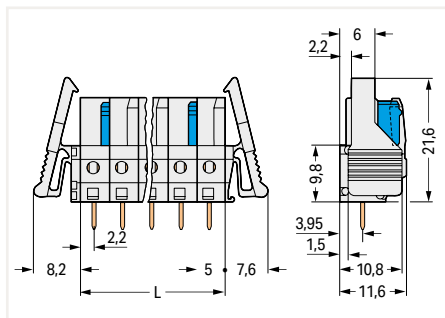
Pin spacing: 5 mm / 0.197 inch ▶ Solder pin dimensions: 0.6 x 1 mm ▶ Color: light gray

Locking of plug-in connection: Locking lever ▶ Mating direction to the PCB: 90°



722-135/039-000

Pole No.	Item No.	PU
2	722-132/039-000	100
3	722-133/039-000	50
4	722-134/039-000	50
5	722-135/039-000	50
6	722-136/039-000	50
7	722-137/039-000	50
8	722-138/039-000	50
9	722-139/039-000	25
10	722-140/039-000	25
11	722-141/039-000	25
12	722-142/039-000	25
13	722-143/039-000	25
14	722-144/039-000	25
15	722-145/039-000	25
16	722-146/039-000	10
20	722-150/039-000	10



L = pole no. x pin spacing
2-pole female connectors – one latch only

PU = Packaging Unit; SPU = Subpackaging Unit; Dimensions in mm

Other versions (or variants) can be requested from WAGO Sales or configured at <https://configurator.wago.com/>.

- Other pole numbers
- 3.8 mm pin projection for male headers with straight solder pins
- Gold-plated or partially gold-plated contact surfaces

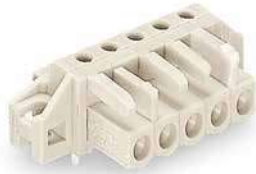
THT female header ▶ MCS MIDI ▶ 722 Series

Pin spacing: 5 mm / 0.197 inch ▶ Solder pin dimensions: 0.6 x 1 mm ▶ Color: light gray

Mounting type: Feed-through mounting; Panel mounting ▶ Mounting type: Mounting flange

Mating direction to the PCB: 0°

Mating direction to the PCB: 90°



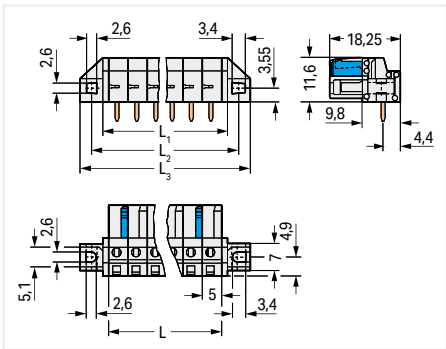
722-235/031-000



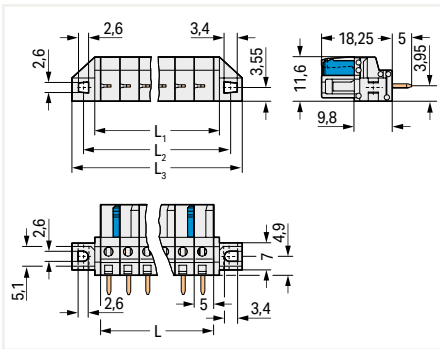
722-135/031-000

Pole No.	Item No.	PU
2	722-232/031-000	100
3	722-233/031-000	50
4	722-234/031-000	50
5	722-235/031-000	50
6	722-236/031-000	50
7	722-237/031-000	50
8	722-238/031-000	50
9	722-239/031-000	25
10	722-240/031-000	25
11	722-241/031-000	25
12	722-242/031-000	25
13	722-243/031-000	25
14	722-244/031-000	25
15	722-245/031-000	25
16	722-246/031-000	10
20	722-250/031-000	10

Pole No.	Item No.	PU
2	722-132/031-000	100
3	722-133/031-000	50
4	722-134/031-000	50
5	722-135/031-000	50
6	722-136/031-000	50
7	722-137/031-000	50
8	722-138/031-000	50
9	722-139/031-000	25
10	722-140/031-000	25
11	722-141/031-000	25
12	722-142/031-000	25
13	722-143/031-000	25
14	722-144/031-000	25
15	722-145/031-000	25
16	722-146/031-000	10
20	722-150/031-000	10



L = pole no. x pin spacing
 L₁ = L + 3 mm
 L₂ = L + 8.8 mm
 L₃ = L + 14.8 mm
 2-pole female connectors – one latch only



L = pole no. x pin spacing
 L₁ = L + 3 mm
 L₂ = L + 8.8 mm
 L₃ = L + 14.8 mm
 2-pole female connectors – one latch only

PU = Packaging Unit; SPU = Subpackaging Unit; Dimensions in mm

Other versions (or variants) can be requested from WAGO Sales or configured at <https://configurator.wago.com/>.

- Other pole numbers
- 3.8 mm pin projection for male headers with straight solder pins
- Gold-plated or partially gold-plated contact surfaces

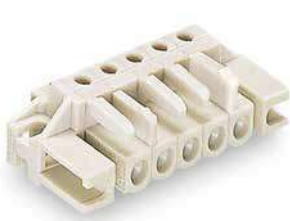
THT female header ▶ MCS MIDI ▶ 722 Series

Pin spacing: 5 mm / 0.197 inch ▶ Solder pin dimensions: 0.6 x 1 mm ▶ Color: light gray

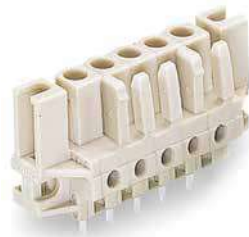
Mounting type: Flush feed-through mounting; Panel mounting ▶ Mounting type: Mounting flange

Mating direction to the PCB: 0°

Mating direction to the PCB: 90°



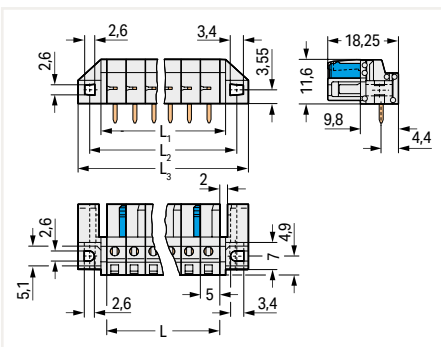
722-235/047-000



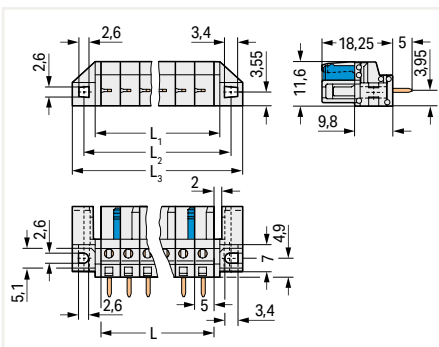
722-135/047-000

Pole No.	Item No.	PU
2	722-232/047-000	100
3	722-233/047-000	50
4	722-234/047-000	50
5	722-235/047-000	50
6	722-236/047-000	50
7	722-237/047-000	50
8	722-238/047-000	50
9	722-239/047-000	25
10	722-240/047-000	25
11	722-241/047-000	25
12	722-242/047-000	25
13	722-243/047-000	25
14	722-244/047-000	25
15	722-245/047-000	25
16	722-246/047-000	10
20	722-250/047-000	10

Pole No.	Item No.	PU
2	722-132/047-000	100
3	722-133/047-000	50
4	722-134/047-000	50
5	722-135/047-000	50
6	722-136/047-000	50
7	722-137/047-000	50
8	722-138/047-000	50
9	722-139/047-000	25
10	722-140/047-000	25
11	722-141/047-000	25
12	722-142/047-000	25
13	722-143/047-000	25
14	722-144/047-000	25
15	722-145/047-000	25
16	722-146/047-000	10
20	722-150/047-000	10



L = pole no. x pin spacing
 $L_1 = L + 3$ mm
 $L_2 = L + 8.8$ mm
 $L_3 = L + 14.8$ mm
 2-pole female connectors – one latch only



L = pole no. x pin spacing
 $L_1 = L + 3$ mm
 $L_2 = L + 8.8$ mm
 $L_3 = L + 14.8$ mm
 2-pole female connectors – one latch only

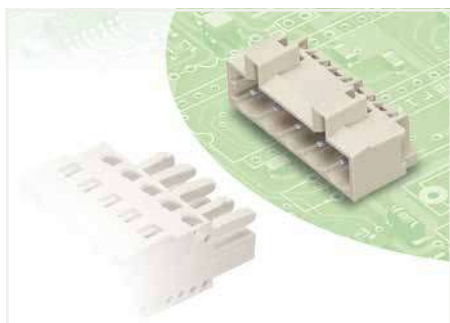
PU = Packaging Unit; SPU = Subpackaging Unit; Dimensions in mm

Other versions (or variants) can be requested from WAGO Sales or configured at <https://configurator.wago.com/>.

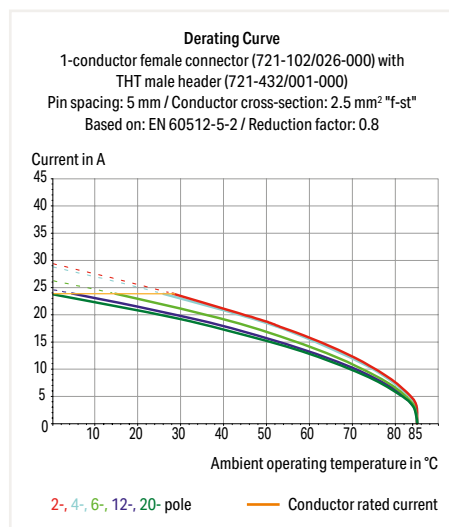
- Other pole numbers
- 3.8 mm pin projection for male headers with straight solder pins
- Gold-plated or partially gold-plated contact surfaces

THT male header ▶ MCS MIDI ▶ 721 Series

Pin spacing: 5 mm / 0.197 inch ▶ Solder pin dimensions: 1 x 1 mm ▶ Color: light gray



- Horizontal or vertical PCB mounting via straight or angled solder pins
- Pin cross-section: 1 x 1 mm
- 100 % protected against mismatching
- With coding fingers

**Electrical Data**

Ratings per	IEC/EN 60664-1		
Overvoltage category	III	III	II
Pollution degree	3	2	2
Rated voltage	320 V	320 V	630 V
Rated impulse voltage	4 kV	4 kV	4 kV
Rated current	12 A	12 A	12 A
Approbations per	UL 1059		
Use group	B	C	D
Rated voltage	300 V	-	300 V
Rated current	10 A	-	10 A
Approbations per	UL 1977		
Rated voltage	600 V		
Rated current	10 A		
Approbations per	CSA		
Use group	B	C	D
Rated voltage	300 V	-	300 V
Rated current	10 A	-	10 A

Material Data

Material group	I
Insulation material	Polyamide (PA66)
Flammability class per UL94	V0
Contact material	Electrolytic copper (E _{cu})
Contact plating	Tin-plated

Mechanical Data

Solder pin arrangement	Over the entire male connector (in-line)
Solder pin dimensions	1 x 1 mm
Drilled hole diameter with tolerance	1.4 ^(+0.1) mm

Environmental Requirements

Limit temperature range	-60 ... +100 °C
-------------------------	-----------------

The MCS – MULTI CONNECTION SYSTEM includes connectors without breaking capacity in accordance with DIN EN 61984. When used as intended, these connectors must not be connected/disconnected when live or under load. The circuit design should ensure header pins, which can be touched, are not live when unmated.

Coding Page 540

See technical section for further information

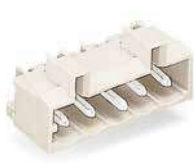
For approvals and corresponding ratings, visit www.wago.com

THT male header ▶ MCS MIDI ▶ 721 Series

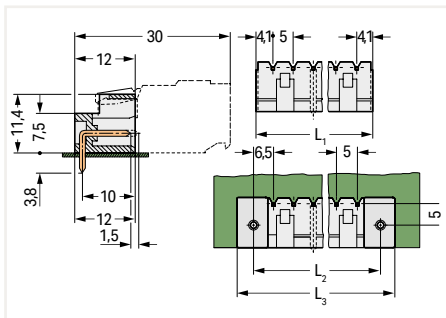
Pin spacing: 5 mm / 0.197 inch ▶ Solder pin dimensions: 1 x 1 mm ▶ Color: light gray

Mating direction to the PCB: 0° ▶ Solder pin length: 3.8 mm

Mating direction to the PCB: 90° ▶ Solder pin length: 5 mm



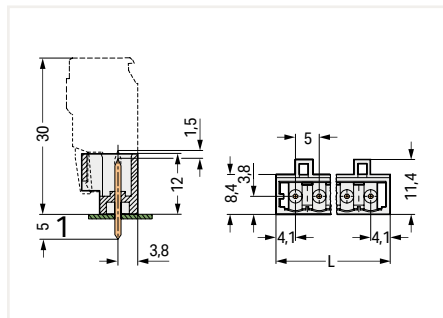
Pole No.	Item No.	PU	Pole No.	Item No.	PU
2	721-432/001-000	200	2	721-132/001-000	200
3	721-433/001-000	200	3	721-133/001-000	200
4	721-434/001-000	200	4	721-134/001-000	200
5	721-435/001-000	200	5	721-135/001-000	200
6	721-436/001-000	100	6	721-136/001-000	100
7	721-437/001-000	100	7	721-137/001-000	100
8	721-438/001-000	100	8	721-138/001-000	100
9	721-439/001-000	100	9	721-139/001-000	100
10	721-440/001-000	100	10	721-140/001-000	100
11	721-441/001-000	100	11	721-141/001-000	100
12	721-442/001-000	100	12	721-142/001-000	100
13	721-443/001-000	50	13	721-143/001-000	50
14	721-444/001-000	50	14	721-144/001-000	50
15	721-445/001-000	50	15	721-145/001-000	50
16	721-446/001-000	50	16	721-146/001-000	50
20	721-450/001-000	50	20	721-150/001-000	50



$$L_1 = (\text{pole no.} - 1) \times \text{pin spacing} + 8.2 \text{ mm}$$

$$L_2 = L_1 + 5 \text{ mm}$$

$$L_3 = L_2 + 7.4 \text{ mm}$$



$$L = (\text{pole no.} - 1) \times \text{pin spacing} + 8.2 \text{ mm}$$

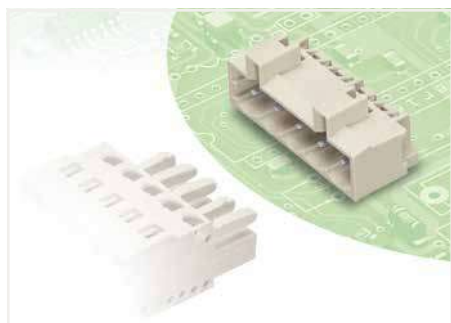
PU = Packaging Unit; SPU = Subpackaging Unit; Dimensions in mm

Other versions (or variants) can be requested from WAGO Sales or configured at <https://configurator.wago.com/>.

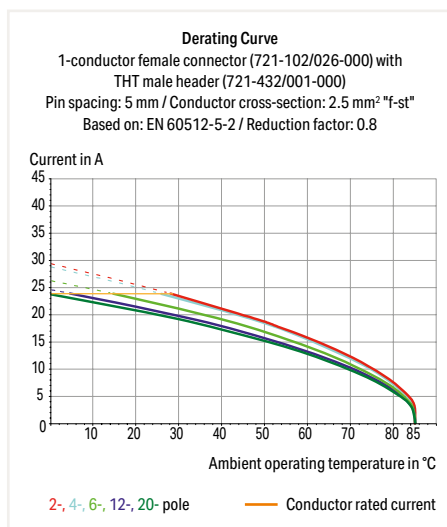
- Other pole numbers
- 3.8 mm pin projection for male headers with straight solder pins
- Gold-plated or partially gold-plated contact surfaces

THT male header ▶ MCS MIDI ▶ 721 Series

Pin spacing: 5 mm / 0.197 inch ▶ Solder pin dimensions: 1.2 x 1.2 mm ▶ Color: light gray



- Horizontal or vertical PCB mounting via straight or angled solder pins
- 1.2 x 1.2 mm solder pins allow nominal current up to 16 A, enhancing stability of shorter headers
- 100 % protected against mismatching
- With coding fingers



Electrical Data

Ratings per		IEC/EN 60664-1		
Overvoltage category		III	III	II
Pollution degree		3	2	2
Rated voltage		250 V	320 V	630 V
Rated impulse voltage		4 kV	4 kV	4 kV
Rated current		16 A	16 A	16 A
Approbations per		UL 1059		
Use group		B	C	D
Rated voltage		300 V	-	300 V
Rated current		15 A	-	10 A
Approbations per		UL 1977		
Rated voltage		600 V		
Rated current		15 A		
Approbations per		CSA		
Use group		B	C	D
Rated voltage		300 V	-	300 V
Rated current		15 A	-	10 A

Material Data

Material group	I
Insulation material	Polyamide (PA66)
Flammability class per UL94	V0
Contact material	Electrolytic copper (E _{cu})
Contact plating	Tin-plated

Mechanical Data

Solder pin arrangement	Over the entire male connector (in-line)
Solder pin dimensions	1.2 x 1.2 mm

Environmental Requirements

Limit temperature range	-60 ... +100 °C
-------------------------	-----------------

The MCS – MULTI CONNECTION SYSTEM includes connectors without breaking capacity in accordance with DIN EN 61984. When used as intended, these connectors must not be connected/disconnected when live or under load. The circuit design should ensure header pins, which can be touched, are not live when unmated.

Coding Page 540

See technical section for further information

For approvals and corresponding ratings, visit www.wago.com

THT male header ▶ MCS MIDI ▶ 721 Series

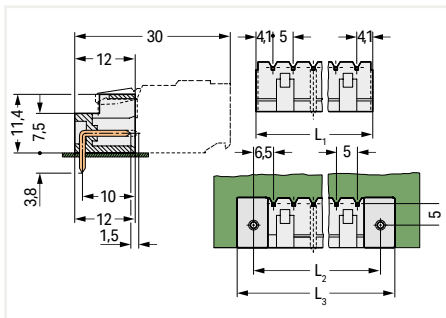
Pin spacing: 5 mm / 0.197 inch ▶ Solder pin dimensions: 1.2 x 1.2 mm ▶ Color: light gray

Mating direction to the PCB: 0° ▶ Solder pin length: 3.8 mm

Mating direction to the PCB: 90° ▶ Solder pin length: 5 mm



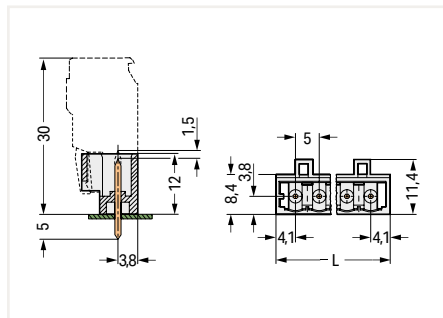
Pole No.	Item No.	PU	Pole No.	Item No.	PU
2	721-462/001-000	200	2	721-162/001-000	200
3	721-463/001-000	200	3	721-163/001-000	200
4	721-464/001-000	200	4	721-164/001-000	200
5	721-465/001-000	100	5	721-165/001-000	200
6	721-466/001-000	100	6	721-166/001-000	100
7	721-467/001-000	100	7	721-167/001-000	100
8	721-468/001-000	100	8	721-168/001-000	100
9	721-469/001-000	100	9	721-169/001-000	100
10	721-470/001-000	100	10	721-170/001-000	100
11	721-471/001-000	100	11	721-171/001-000	100
12	721-472/001-000	100	12	721-172/001-000	100
13	721-473/001-000	50	13	721-173/001-000	50
14	721-474/001-000	50	14	721-174/001-000	50
15	721-475/001-000	50	15	721-175/001-000	50
16	721-476/001-000	50	16	721-176/001-000	50
20	721-480/001-000	50	20	721-180/001-000	50



$$L_1 = (\text{pole no.} - 1) \times \text{pin spacing} + 8.2 \text{ mm}$$

$$L_2 = L_1 + 5 \text{ mm}$$

$$L_3 = L_2 + 7.4 \text{ mm}$$



$$L = (\text{pole no.} - 1) \times \text{pin spacing} + 8.2 \text{ mm}$$

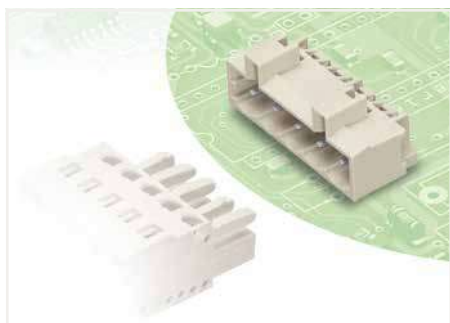
PU = Packaging Unit; SPU = Subpackaging Unit; Dimensions in mm

Other versions (or variants) can be requested from WAGO Sales or configured at <https://configurator.wago.com/>.

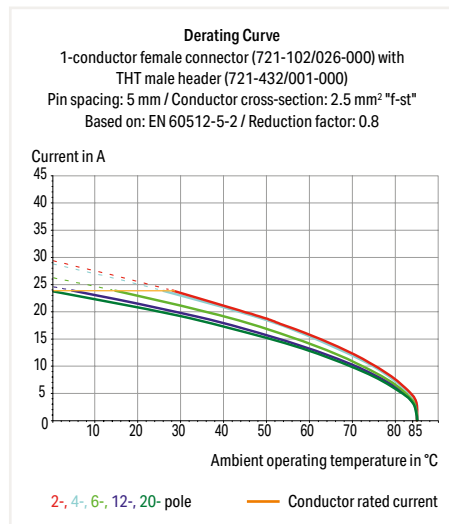
- Other pole numbers
- 3.8 mm pin projection for male headers with straight solder pins
- Gold-plated or partially gold-plated contact surfaces

THT male header ▶ MCS MIDI ▶ 721 Series

Pin spacing: 5 mm / 0.197 inch ▶ with preceding ground contact ▶ Solder pin dimensions: 1 x 1 mm
1 mm ▶ Color: light gray



- Horizontal or vertical PCB mounting via straight or angled solder pins
- Pin cross-section: 1 x 1 mm
- 100 % protected against mismatching
- With coding fingers

**Electrical Data**

Ratings per		IEC/EN 60664-1		
Overvoltage category		III	III	II
Pollution degree		3	2	2
Rated voltage		320 V	320 V	630 V
Rated impulse voltage		4 kV	4 kV	4 kV
Rated current		12 A	12 A	12 A
Approbations per		UL 1059		
Use group		B	C	D
Rated voltage		300 V	-	300 V
Rated current		10 A	-	10 A
Approbations per		UL 1977		
Rated voltage		600 V		
Rated current		10 A		
Approbations per		CSA		
Use group		B	C	D
Rated voltage		300 V	-	300 V
Rated current		10 A	-	10 A

Material Data

Material group	I
Insulation material	Polyamide (PA66)
Flammability class per UL94	V0
Contact material	Electrolytic copper (E _{cu})
Contact plating	Tin-plated

Mechanical Data

Solder pin arrangement	Over the entire male connector (in-line)
Solder pin dimensions	1 x 1 mm
Drilled hole diameter with tolerance	1.4 ^(+0.1) mm

Environmental Requirements

Limit temperature range	-60 ... +100 °C
-------------------------	-----------------

The MCS – MULTI CONNECTION SYSTEM includes connectors without breaking capacity in accordance with DIN EN 61984. When used as intended, these connectors must not be connected/disconnected when live or under load. The circuit design should ensure header pins, which can be touched, are not live when unmated.

Coding Page 540

See technical section for further information

For approvals and corresponding ratings, visit www.wago.com

THT male header ▶ MCS MIDI ▶ 721 Series

Pin spacing: 5 mm / 0.197 inch ▶ with preceding ground contact ▶ Solder pin dimensions: 1 x 1 mm ▶ Color: light gray

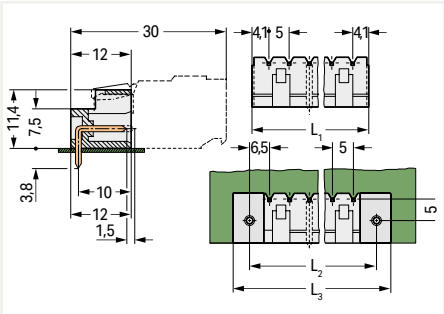
Mating direction to the PCB: 0° ▶ Solder pin length: 3.8 mm

Mating direction to the PCB: 90° ▶ Solder pin length: 5 mm

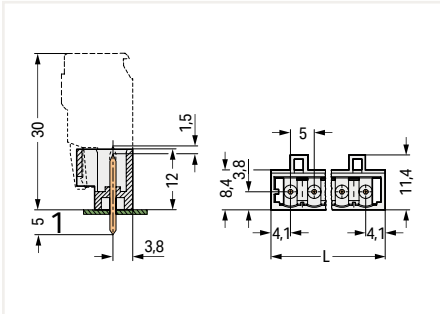


Pole No.	Item No.	PU
3	721-433/001-040	200
4	721-434/001-040	200
5	721-435/001-040	200

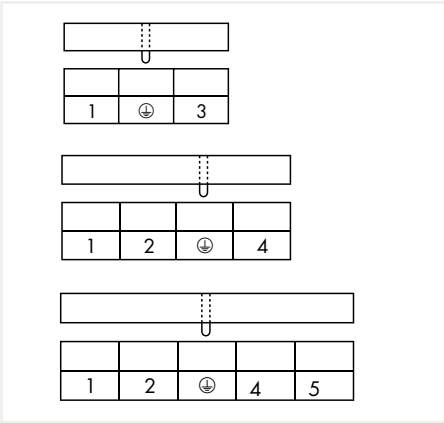
Pole No.	Item No.	PU
3	721-133/001-040	200
4	721-134/001-040	200
5	721-135/001-040	200



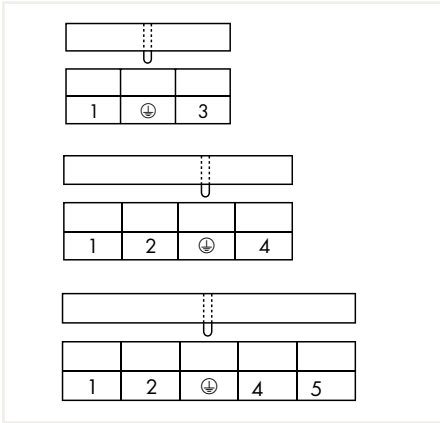
$L_1 = (\text{pole no.} - 1) \times \text{pin spacing} + 8.2 \text{ mm}$
 $L_2 = L_1 + 5 \text{ mm}$
 $L_3 = L_2 + 7.4 \text{ mm}$



$L = (\text{pole no.} - 1) \times \text{pin spacing} + 8.2 \text{ mm}$



Preceding ground contact position



Preceding ground contact position

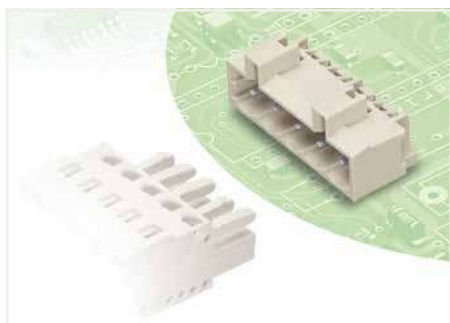
PU = Packaging Unit; SPU = Subpackaging Unit; Dimensions in mm

Other versions (or variants) can be requested from WAGO Sales or configured at <https://configurator.wago.com/>.

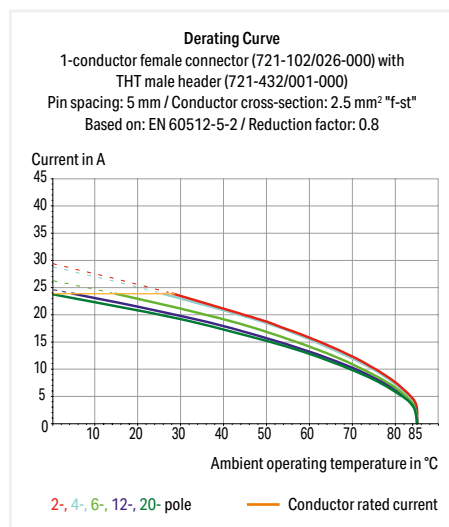
- Other pole numbers
- 3.8 mm pin projection for male headers with straight solder pins
- Gold-plated or partially gold-plated contact surfaces

THT male header ▶ MCS MIDI ▶ 721 Series

Pin spacing: 5 mm / 0.197 inch ▶ with preceding ground contact ▶ Solder pin dimensions: 1.2 x 1.2 mm ▶ Color: light gray



- Horizontal or vertical PCB mounting via straight or angled solder pins
- 1.2 x 1.2 mm solder pins allow nominal current up to 16 A, enhancing stability of shorter headers
- 100 % protected against mismatching
- With coding fingers

**Electrical Data**

Ratings per		IEC/EN 60664-1		
Overvoltage category		III	III	II
Pollution degree		3	2	2
Rated voltage		250 V	320 V	630 V
Rated impulse voltage		4 kV	4 kV	4 kV
Rated current		16 A	16 A	16 A
Approbations per		UL 1059		
Use group		B	C	D
Rated voltage		300 V	-	300 V
Rated current		15 A	-	10 A
Approbations per		UL 1977		
Rated voltage		600 V		
Rated current		15 A		
Approbations per		CSA		
Use group		B	C	D
Rated voltage		300 V	-	300 V
Rated current		15 A	-	10 A

Material Data

Material group	I
Insulation material	Polyamide (PA66)
Flammability class per UL94	V0
Contact material	Electrolytic copper (E _{cu})
Contact plating	Tin-plated

Mechanical Data

Solder pin arrangement	Over the entire male connector (in-line)
Solder pin dimensions	1.2 x 1.2 mm
Drilled hole diameter with tolerance	1.7 ^(+0.1) mm

Environmental Requirements

Limit temperature range	-60 ... +100 °C
-------------------------	-----------------

The MCS – MULTI CONNECTION SYSTEM includes connectors without breaking capacity in accordance with DIN EN 61984. When used as intended, these connectors must not be connected/disconnected when live or under load. The circuit design should ensure header pins, which can be touched, are not live when unmated.

Coding Page 540

See technical section for further information

For approvals and corresponding ratings, visit www.wago.com

THT male header ▶ MCS MIDI ▶ 721 Series

Pin spacing: 5 mm / 0.197 inch ▶ with preceding ground contact ▶ Solder pin dimensions: 1.2 x 1.2 mm ▶ Color: light gray

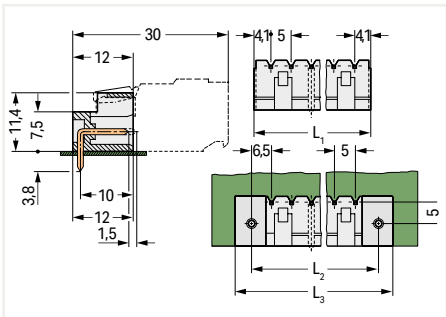
Mating direction to the PCB: 0° ▶ Solder pin length: 3.8 mm

Mating direction to the PCB: 90° ▶ Solder pin length: 5 mm

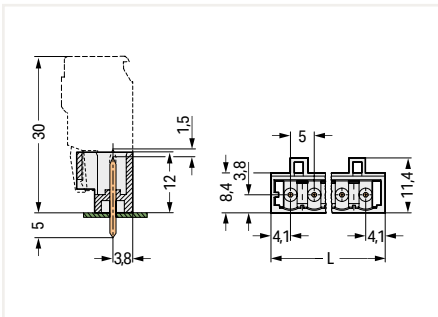


Pole No.	Item No.	PU
3	721-463/001-040	200
4	721-464/001-040	200
5	721-465/001-040	200

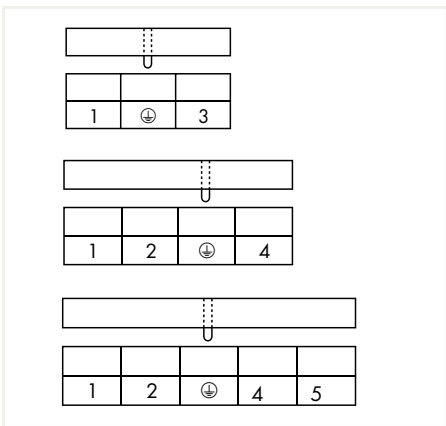
Pole No.	Item No.	PU
3	721-163/001-040	200
4	721-164/001-040	200
5	721-165/001-040	200



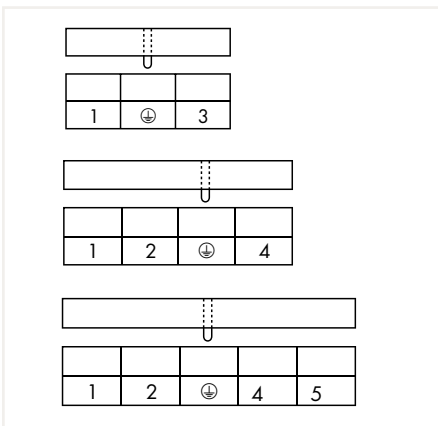
$L_1 = (\text{pole no.} - 1) \times \text{pin spacing} + 8.2 \text{ mm}$
 $L_2 = L_1 + 5 \text{ mm}$
 $L_3 = L_2 + 7.4 \text{ mm}$



$L = (\text{pole no.} - 1) \times \text{pin spacing} + 8.2 \text{ mm}$



Preceding ground contact position



Preceding ground contact position

PU = Packaging Unit; SPU = Subpackaging Unit; Dimensions in mm

Other versions (or variants) can be requested from WAGO Sales or configured at <https://configurator.wago.com/>.

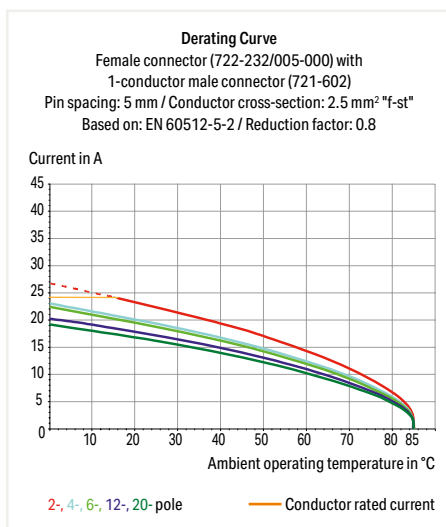
- Other pole numbers
- 3.8 mm pin projection for male headers with straight solder pins
- Gold-plated or partially gold-plated contact surfaces

Female connector for rail-mount terminal blocks ▶ MCS MIDI ▶ 722 Series

Pin spacing: 5 mm / 0.197 inch ▶ Color: light gray



- Pluggable connectors for rail-mount terminal blocks equipped with CAGE CLAMP® connection
- Female connectors with long contact pins connect to the termination ports of 280 Series Rail-Mount Terminal Blocks
- Female connectors are touch-proof when unmated, providing a pluggable, live output
- 100 % protected against mismatching
- With coding fingers



Electrical Data

Ratings per	IEC/EN 60664-1		
Overvoltage category	III	III	II
Pollution degree	3	2	2
Rated voltage	320 V	320 V	630 V
Rated impulse voltage	4 kV	4 kV	4 kV
Rated current	12 A	12 A	12 A
Approbations per	UL 1059		
Use group	B	C	D
Rated voltage	300 V	-	300 V
Rated current	15 A	-	10 A
Approbations per	UL 1977		
Rated voltage	600 V		
Rated current	15 A		
Approbations per	CSA		
Use group	B	C	D
Rated voltage	300 V	-	300 V
Rated current	15 A	-	10 A

Material Data

Material group	I
Insulation material	Polyamide (PA66)
Flammability class per UL94	V0
Contact material	Copper alloy
Contact plating	Tin-plated

Environmental Requirements

Limit temperature range	-60 ... +85 °C
-------------------------	----------------

The MCS – MULTI CONNECTION SYSTEM includes connectors without breaking capacity in accordance with DIN EN 61984. When used as intended, these connectors must not be connected/disconnected when live or under load. The circuit design should ensure header pins, which can be touched, are not live when unmated.

Test and measurement Page 539, 886

Tool Page 539

See technical section for further information

For approvals and corresponding ratings, visit www.wago.com

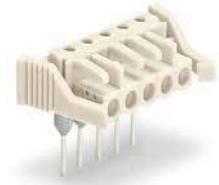
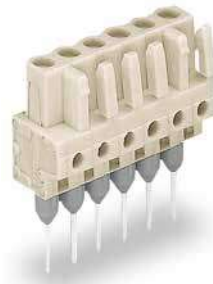
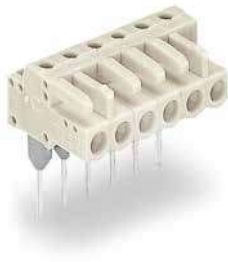
Female connector for rail-mount terminal blocks ▶ MCS MIDI ▶ 722 Series

Pin spacing: 5 mm / 0.197 inch ▶ Color: light gray

Mating direction to the rail-mount terminal block: 0°

Mating direction to the rail-mount terminal block: 90°

Locking of plug-in connection: Locking lever ▶ Mating direction to the rail-mount terminal block: 0°



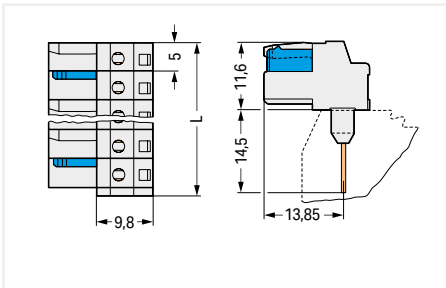
722-136/005-000

722-236/005-000/039-000

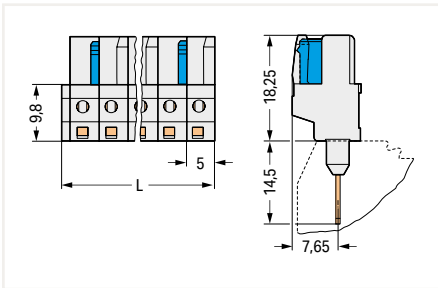
Pole No.	Item No.	PU
2	722-232/005-000	100
3	722-233/005-000	100
4	722-234/005-000	100
5	722-235/005-000	100
6	722-236/005-000	50
7	722-237/005-000	50
8	722-238/005-000	50
9	722-239/005-000	50
10	722-240/005-000	50
11	722-241/005-000	25
12	722-242/005-000	25
13	722-243/005-000	25
14	722-244/005-000	25
15	722-245/005-000	25
16	722-246/005-000	25
20	722-250/005-000	10

Pole No.	Item No.	PU
2	722-132/005-000	100
3	722-133/005-000	100
4	722-134/005-000	100
5	722-135/005-000	100
6	722-136/005-000	50
7	722-137/005-000	50
8	722-138/005-000	50
9	722-139/005-000	50
10	722-140/005-000	50
11	722-141/005-000	25
12	722-142/005-000	25
13	722-143/005-000	25
14	722-144/005-000	25
15	722-145/005-000	25
16	722-146/005-000	25
20	722-150/005-000	10

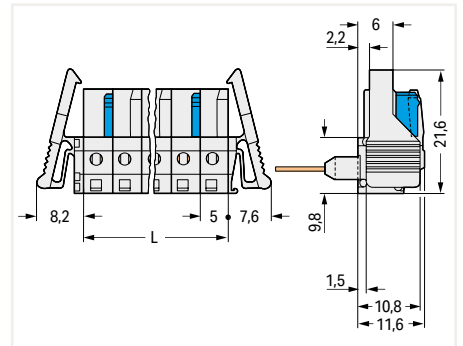
Pole No.	Item No.	PU
2	722-232/005-000/039-000	100
3	722-233/005-000/039-000	50
4	722-234/005-000/039-000	50
5	722-235/005-000/039-000	50
6	722-236/005-000/039-000	50
7	722-237/005-000/039-000	50
8	722-238/005-000/039-000	50
9	722-239/005-000/039-000	25
10	722-240/005-000/039-000	25
11	722-241/005-000/039-000	25
12	722-242/005-000/039-000	25
14	722-244/005-000/039-000	25
16	722-246/005-000/039-000	10
20	722-250/005-000/039-000	10



L = (pole no. x pin spacing) + 1.5 mm
2-pole female connectors – one latch only



L = (pole no. x pin spacing) + 1.5 mm
2-pole female connectors – one latch only



L = (pole no. x pin spacing) + 1.5 mm
2-pole female connectors – one latch only

PU = Packaging Unit; SPU = Subpackaging Unit; Dimensions in mm

Other versions (or variants) can be requested from WAGO Sales or configured at <https://configurator.wago.com/>.

- Other pole numbers

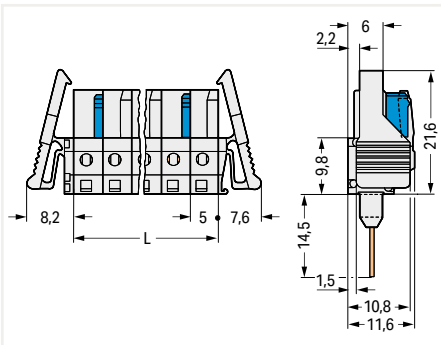
Female connector for rail-mount terminal blocks ▶ MCS MIDI ▶ 722 Series

Pin spacing: 5 mm / 0.197 inch ▶ Color: light gray

Locking of plug-in connection: Locking lever ▶ Mating direction to the rail-mount terminal block: 90 °



Pole No.	Item No.	PU
2	722-132/005-000/039-000	100
3	722-133/005-000/039-000	50
4	722-134/005-000/039-000	50
5	722-135/005-000/039-000	50
6	722-136/005-000/039-000	50
7	722-137/005-000/039-000	50
8	722-138/005-000/039-000	50
9	722-139/005-000/039-000	25
10	722-140/005-000/039-000	25
11	722-141/005-000/039-000	25
12	722-142/005-000/039-000	25
14	722-144/005-000/039-000	25
16	722-146/005-000/039-000	10
20	722-150/005-000/039-000	10



$L = (\text{pole no.} \times \text{pin spacing}) + 1.5 \text{ mm}$
2-pole female connectors – one latch only

PU = Packaging Unit; SPU = Subpackaging Unit; Dimensions in mm

Other versions (or variants) can be requested from WAGO Sales or configured at <https://configurator.wago.com/>.

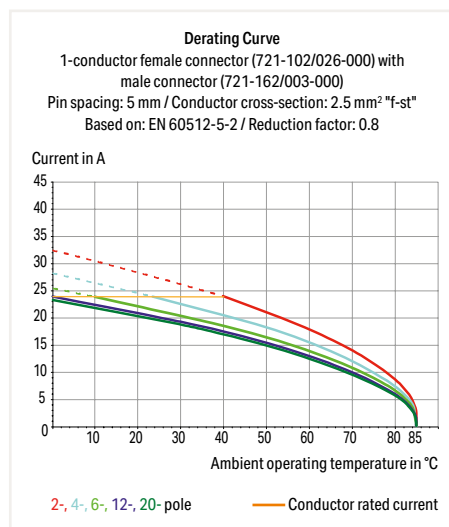
- Other pole numbers

Male connector for rail-mount terminal blocks ▶ MCS MIDI ▶ 721 Series

Pin spacing: 5 mm / 0.197 inch ▶ Color: light gray



- Pluggable connectors for rail-mount terminal blocks equipped with CAGE CLAMP® connection
- Male connectors with long contact pins connect to the termination ports of 280 Series Rail-Mount Terminal Blocks
- Pins can be touched when the connector is unplugged, so power should be supplied via terminal block (observe rated voltage!)
- 100 % protected against mismatching
- With coding fingers



Electrical Data

Ratings per	IEC/EN 60664-1		
Overvoltage category	III	III	II
Pollution degree	3	2	2
Rated voltage	250 V	320 V	630 V
Rated impulse voltage	4 kV	4 kV	4 kV
Rated current	16 A	16 A	16 A
Approbations per	UL 1059		
Use group	B	C	D
Rated voltage	300 V	-	300 V
Rated current	15 A	-	10 A
Approbations per	UL 1977		
Rated voltage	600 V		
Rated current	15 A		
Approbations per	CSA		
Use group	B	C	D
Rated voltage	300 V	-	300 V
Rated current	15 A	-	10 A

Material Data

Material group	I
Insulation material	Polyamide (PA66)
Flammability class per UL94	V0
Contact material	Electrolytic copper (E _{cu})
Contact plating	Tin-plated

Environmental Requirements

Limit temperature range	-60 ... +100 °C
-------------------------	-----------------

The MCS – MULTI CONNECTION SYSTEM includes connectors without breaking capacity in accordance with DIN EN 61984. When used as intended, these connectors must not be connected/disconnected when live or under load. The circuit design should ensure header pins, which can be touched, are not live when unmated.

Coding Page 540

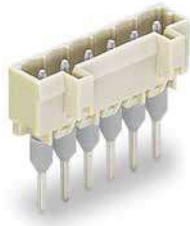
Tool Page 539

See technical section for further information

For approvals and corresponding ratings, visit www.wago.com

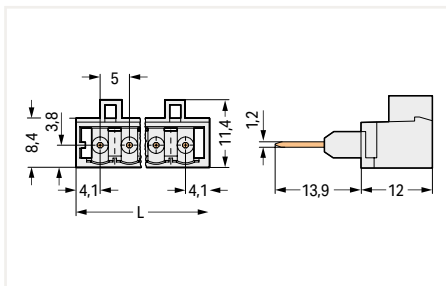
Male connector for rail-mount terminal blocks ▶ MCS MIDI ▶ 721 Series

Pin spacing: 5 mm / 0.197 inch ▶ Color: light gray



721-166/003-000

Pole No.	Item No.	PU
2	721-162/003-000	200
3	721-163/003-000	200
4	721-164/003-000	200
5	721-165/003-000	200
6	721-166/003-000	100
7	721-167/003-000	100
8	721-168/003-000	100
9	721-169/003-000	100
10	721-170/003-000	100
11	721-171/003-000	100
12	721-172/003-000	100
13	721-173/003-000	50
14	721-174/003-000	50
15	721-175/003-000	50
16	721-176/003-000	50
20	721-180/003-000	50



$L = (\text{pole no.} - 1) \times \text{pin spacing} + 8.2 \text{ mm}$

PU = Packaging Unit; SPU = Subpackaging Unit; Dimensions in mm

Other versions (or variants) can be requested from WAGO Sales or configured at <https://configurator.wago.com/>.

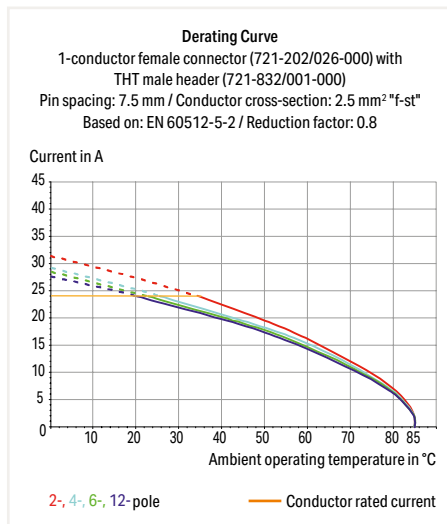
- Other pole numbers

1-conductor female plug ▶ MCS MIDI ▶ 721 Series

Pin spacing: 7.5 mm / 0.295 inch ▶ Actuation type: Operating tool ▶ CAGE CLAMP® ▶ Conductor entry direction to mating direction: 0° ▶ Color: light gray



- Universal connection for all conductor types
- Easy cable pre-assembly and on-unit wiring via vertical and horizontal CAGE CLAMP® actuation
- Integrated test ports
- 100% protected against mismatching
- Coding option available



Electrical Data

Ratings per	IEC/EN 60664-1		
Overvoltage category	III	III	II
Pollution degree	3	2	2
Rated voltage	500 V	630 V	1000 V
Rated impulse voltage	6 kV	6 kV	6 kV
Rated current	16 A	16 A	16 A
Approbations per	UL 1059		
Use group	B	C	D
Rated voltage	300 V	-	300 V
Rated current	15 A	-	10 A
Approbations per	UL 1977		
Rated voltage	600 V		
Rated current	15 A		
Approbations per	CSA		
Use group	B	C	D
Rated voltage	300 V	-	300 V
Rated current	15 A	-	10 A

Connection Data

Connection technology	CAGE CLAMP®
Strip length	8 ... 9 mm / 0.31 ... 0.35 inch
Solid conductor	0.08 ... 2.5 mm ² / 28 ... 12 AWG
Fine-stranded conductor	0.08 ... 2.5 mm ² / 28 ... 12 AWG
Fine-stranded conductor; with insulated ferrule	0.25 ... 1.5 mm ²
Fine-stranded conductor; with uninsulated ferrule	0.25 ... 2.5 mm ²

Material Data

Material group	I
Insulation material	Polyamide (PA66)
Flammability class per UL94	V0
Clamping spring material	Chrome nickel spring steel (CrNi)
Contact material	Copper alloy
Contact plating	Tin-plated

Environmental Requirements

Limit temperature range	-60 ... +85 °C
-------------------------	----------------

The MCS – MULTI CONNECTION SYSTEM includes connectors without breaking capacity in accordance with DIN EN 61984. When used as intended, these connectors must not be connected/disconnected when live or under load. The circuit design should ensure header pins, which can be touched, are not live when unmated.

Ferrule	Page 879
General accessories	Page 541
Insulation stop	Page 541
Marking	Page 865
Mounting	Page 546
Mounting adapter	Page 547
Strain relief	Page 545
Test and measurement	Page 539, 886
Tool	Page 538
Direct marking	Page 548
Cutout dimensions	Page 552
See technical section for further information	
For approvals and corresponding ratings, visit www.wago.com	

1-conductor female plug ▶ MCS MIDI ▶ 721 Series

Pin spacing: 7.5 mm / 0.295 inch ▶ Actuation type: Operating tool ▶ CAGE CLAMP® ▶ Conductor entry direction to mating direction: 0° ▶ Color: light gray

Locking of plug-in connection: Locking lever

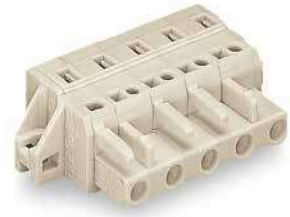
Mounting type: Feed-through mounting; Panel mounting
▶ Mounting type: Mounting flange



721-205/026-000



721-205/037-000

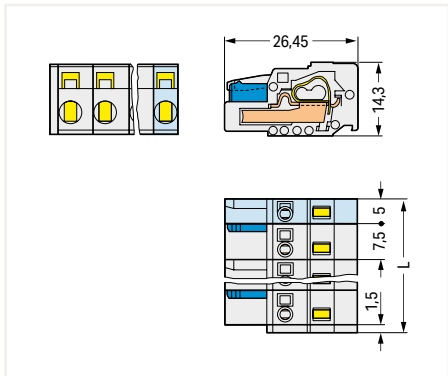


721-205/031-000

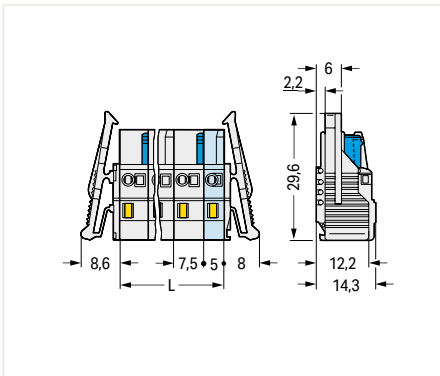
Pole No.	Item No.	PU
2	721-202/026-000	100
3	721-203/026-000	100
4	721-204/026-000	50
5	721-205/026-000	50
6	721-206/026-000	50
7	721-207/026-000	50
8	721-208/026-000	25
9	721-209/026-000	25
10	721-210/026-000	25
11	721-211/026-000	25
12	721-212/026-000	25

Pole No.	Item No.	PU
2	721-202/037-000	50
3	721-203/037-000	50
4	721-204/037-000	50
5	721-205/037-000	50
6	721-206/037-000	25
7	721-207/037-000	25
8	721-208/037-000	25
9	721-209/037-000	25
10	721-210/037-000	25
12	721-212/037-000	10

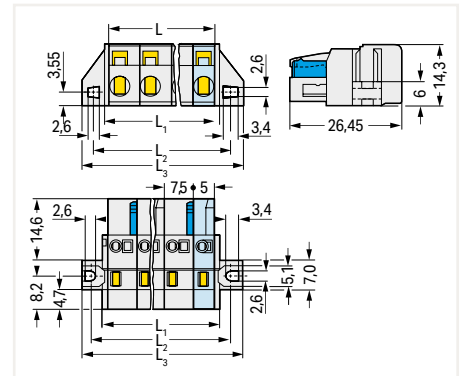
Pole No.	Item No.	PU
2	721-202/031-000	50
3	721-203/031-000	50
4	721-204/031-000	50
5	721-205/031-000	50
6	721-206/031-000	25
7	721-207/031-000	25
8	721-208/031-000	25
9	721-209/031-000	25
10	721-210/031-000	25
12	721-212/031-000	10



$L = (\text{pole no.} - 1) \times \text{pin spacing} + 5 \text{ mm} + 1.5 \text{ mm}$



$L = (\text{pole no.} - 1) \times \text{pin spacing} + 5 \text{ mm}$



$L = (\text{pole no.} - 1) \times \text{pin spacing} + 5 \text{ mm}$
 $L_1 = L + 3 \text{ mm}$
 $L_2 = L + 8.8 \text{ mm}$
 $L_3 = L + 14.8 \text{ mm}$

PU = Packaging Unit; SPU = Subpackaging Unit; Dimensions in mm

Other versions (or variants) can be requested from WAGO Sales or configured at <https://configurator.wago.com/>.

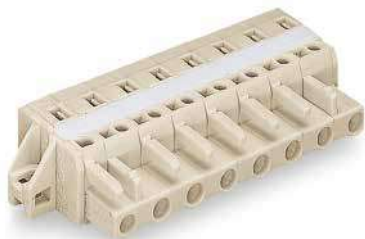
- Other pole numbers
- Gold-plated or partially gold-plated contact surfaces

1-conductor female plug ▶ MCS MIDI ▶ 721 Series

Pin spacing: 7.5 mm / 0.295 inch ▶ Actuation type: Operating tool ▶ CAGE CLAMP® ▶ Conductor entry direction to mating direction: 0° ▶ Color: light gray

Mounting type: Feed-through mounting; Panel mounting
▶ Mounting type: Mounting flange ▶ with reinforcing strips

Mounting type: Panel mounting ▶ Mounting type: Snap-in foot



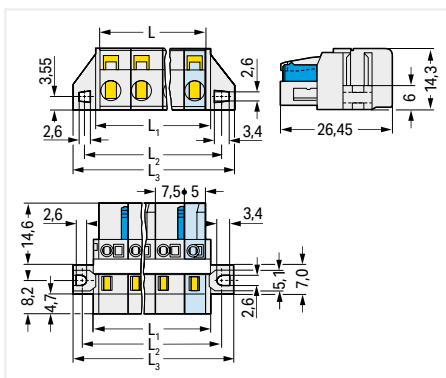
721-208/027-000



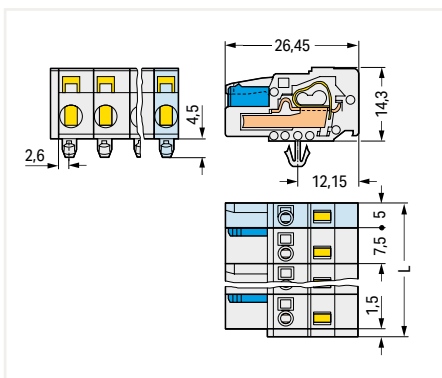
721-205/008-000

Pole No.	Item No.	PU
6	721-206/027-000	25
8	721-208/027-000	25
9	721-209/027-000	25
12	721-212/027-000	10

Pole No.	Item No.	PU
2	721-202/008-000	100
3	721-203/008-000	100
4	721-204/008-000	50
5	721-205/008-000	50
6	721-206/008-000	50
7	721-207/008-000	50
8	721-208/008-000	25
9	721-209/008-000	25
10	721-210/008-000	25
11	721-211/008-000	10
12	721-212/008-000	25



$L = (\text{pole no.} - 1) \times \text{pin spacing} + 5 \text{ mm}$
 $L_1 = L + 3 \text{ mm}$
 $L_2 = L + 8.8 \text{ mm}$
 $L_3 = L + 14.8 \text{ mm}$



$L = (\text{pole no.} - 1) \times \text{pin spacing} + 5 \text{ mm} + 1.5 \text{ mm}$

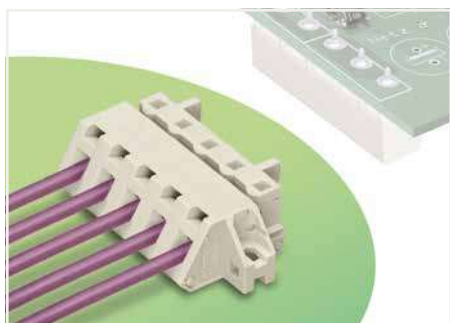
PU = Packaging Unit; SPU = Subpackaging Unit; Dimensions in mm

Other versions (or variants) can be requested from WAGO Sales or configured at <https://configurator.wago.com/>.

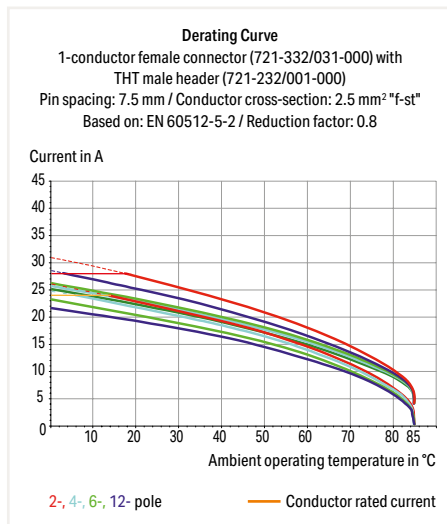
- Other pole numbers
- Gold-plated or partially gold-plated contact surfaces

1-conductor female plug ▶ MCS MIDI ▶ 721 Series

Pin spacing: 7.5 mm / 0.295 inch ▶ Actuation type: Operating tool ▶ CAGE CLAMP® ▶ Conductor entry direction to mating direction: 90 ° ▶ Color: light gray



- Universal connection for all conductor types
- Available with snap-in mounting feet or flanges for panel or through-panel mounting
- Mounting adapter allows versions with snap-in mounting feet to be DIN-35 rail mounted
- Easy conductor termination, even when halves are mated
- 100% protected against mismatching



Electrical Data

Ratings per	IEC/EN 60664-1		
Overvoltage category	III	III	II
Pollution degree	3	2	2
Rated voltage	500 V	630 V	1000 V
Rated impulse voltage	6 kV	6 kV	6 kV
Rated current	12 A	12 A	12 A
Approbations per	UL 1059		
Use group	B	C	D
Rated voltage	300 V	-	300 V
Rated current	15 A	-	10 A
Approbations per	UL 1977		
Rated voltage	600 V		
Rated current	15 A		
Approbations per	CSA		
Use group	B	C	D
Rated voltage	300 V	-	300 V
Rated current	15 A	-	10 A

Connection Data

Connection technology	CAGE CLAMP®
Strip length	7 ... 8 mm / 0.28 ... 0.31 inch
Solid conductor	0.08 ... 2.5 mm ² / 28 ... 12 AWG
Fine-stranded conductor	0.08 ... 2.5 mm ² / 28 ... 12 AWG
Fine-stranded conductor; with insulated ferrule	0.25 ... 1.5 mm ²
Fine-stranded conductor; with uninsulated ferrule	0.25 ... 2.5 mm ²

Material Data

Material group	I
Insulation material	Polyamide (PA66)
Flammability class per UL94	V0
Clamping spring material	Chrome nickel spring steel (CrNi)
Contact material	Copper alloy
Contact plating	Tin-plated

Environmental Requirements

Limit temperature range	-60 ... +85 °C
-------------------------	----------------

The MCS – MULTI CONNECTION SYSTEM includes connectors without breaking capacity in accordance with DIN EN 61984. When used as intended, these connectors must not be connected/disconnected when live or under load. The circuit design should ensure header pins, which can be touched, are not live when unmated.

Ferrule	Page 879
Marking	Page 865
Mounting	Page 546
Test and measurement	Page 539
Tool	Page 538
Cutout dimensions	Page 552
Direct marking	Page 548
See technical section for further information	
For approvals and corresponding ratings, visit www.wago.com	

1-conductor female plug ▶ MCS MIDI ▶ 721 Series

Pin spacing: 7.5 mm / 0.295 inch ▶ Actuation type: Operating tool ▶ CAGE CLAMP® ▶ Conductor entry direction to mating direction: 90 ° ▶ Color: light gray

Mounting type: Feed-through mounting; Panel mounting
▶ Mounting type: Snap-in foot

Mounting type: Panel mounting ▶ Mounting type: Mounting flange



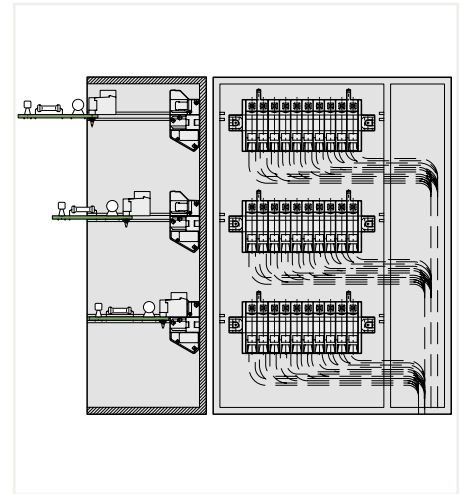
721-335/008-000



721-335/031-000

Pole No.	Item No.	PU
2	721-332/008-000	100
3	721-333/008-000	100
4	721-334/008-000	50
5	721-335/008-000	50
7	721-337/008-000	50
8	721-338/008-000	25
9	721-339/008-000	25
10	721-340/008-000	25
11	721-341/008-000	25
12	721-342/008-000	25

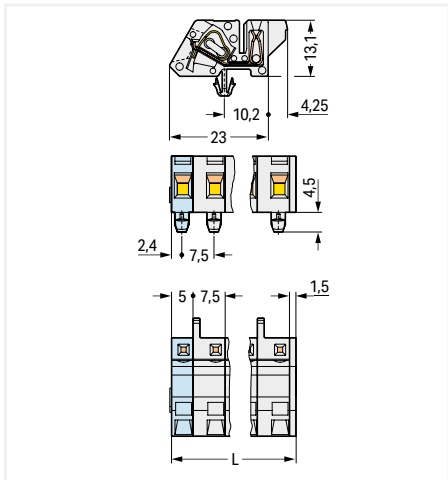
Pole No.	Item No.	PU
2	721-332/031-000	50
3	721-333/031-000	50
4	721-334/031-000	50
5	721-335/031-000	50
6	721-336/031-000	25
7	721-337/031-000	25
8	721-338/031-000	25
9	721-339/031-000	25
10	721-340/031-000	25
11	721-341/031-000	10
12	721-342/031-000	10



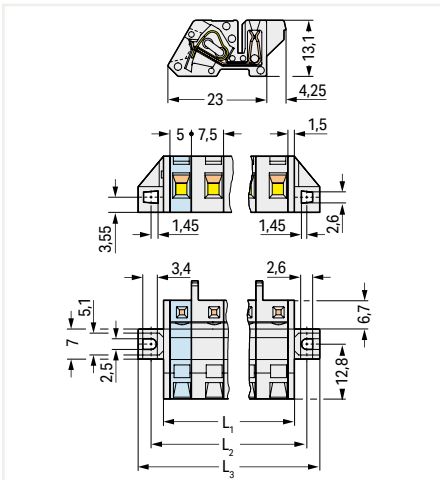
Multilevel arrangement in a distributed electronic housing



Angled female connector – a male header with straight solder pins is used for horizontal PCB mounting in narrow housings.



$L = (\text{pole no.} - 1) \times \text{pin spacing} + 5 \text{ mm} + 1.5 \text{ mm}$



$L_1 = (\text{pole no.} - 1) \times \text{pin spacing} + 5 \text{ mm} + 3 \text{ mm}$
 $L_2 = (\text{pole no.} - 1) \times \text{pin spacing} + 5 \text{ mm} + 8.8 \text{ mm}$
 $L_3 = (\text{pole no.} - 1) \times \text{pin spacing} + 5 \text{ mm} + 14.8 \text{ mm}$

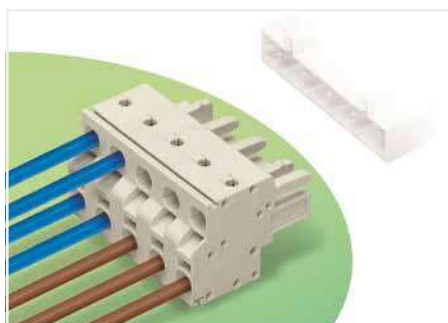
PU = Packaging Unit; SPU = Subpackaging Unit; Dimensions in mm

Other versions (or variants) can be requested from WAGO Sales or configured at <https://configurator.wago.com/>.

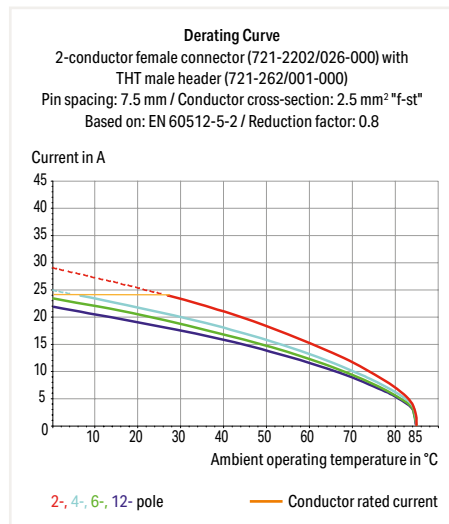
- Other pole numbers
- Gold-plated or partially gold-plated contact surfaces

2-conductor female connector ▶ MCS MIDI ▶ 721 Series

Pin spacing: 7.5 mm / 0.295 inch ▶ Actuation type: Operating tool ▶ Push-in CAGE CLAMP® ▶ Conductor entry direction to mating direction: 0° ▶ Color: light gray



- Universal connection for all conductor types
- Two conductor entries per pole
- For looping through power or data buses
- Bus connection is retained, even when unmated
- Push-in terminations of solid and ferruled conductors
- 100% protected against mismating
- With coding fingers

**Electrical Data**

Ratings per	IEC/EN 60664-1		
Overvoltage category	III	III	II
Pollution degree	3	2	2
Rated voltage	500 V	630 V	1000 V
Rated impulse voltage	6 kV	6 kV	6 kV
Rated current	16 A	16 A	16 A
Approbations per	UL 1059		
Use group	B	C	D
Rated voltage	300 V	-	300 V
Rated current	20 A	-	10 A
Approbations per	UL 1977		
Rated voltage	600 V		
Rated current	20 A		
Approbations per	CSA		
Use group	B	C	D
Rated voltage	300 V	-	300 V
Rated current	15 A	-	10 A

Connection Data

Connection technology	Push-in CAGE CLAMP®
Strip length	9 ... 10 mm / 0.35 ... 0.39 inch
Solid conductor	0.2 ... 2.5 mm ² / 24 ... 12 AWG
Fine-stranded conductor	0.2 ... 2.5 mm ² / 24 ... 12 AWG
Fine-stranded conductor; with insulated ferrule	0.25 ... 1.5 mm ²
Fine-stranded conductor; with uninsulated ferrule	0.25 ... 2.5 mm ²

Material Data

Material group	I
Insulation material	Polyamide (PA66)
Flammability class per UL94	V0
Clamping spring material	Chrome nickel spring steel (CrNi)
Contact material	Copper alloy
Contact plating	Tin-plated

Environmental Requirements

Limit temperature range	-60 ... +85 °C
-------------------------	----------------

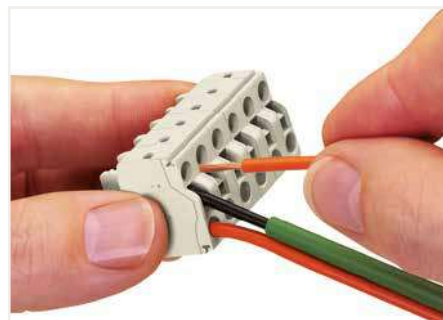
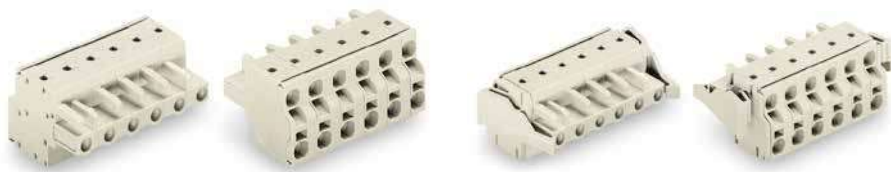
The MCS – MULTI CONNECTION SYSTEM includes connectors without breaking capacity in accordance with DIN EN 61984. When used as intended, these connectors must not be connected/disconnected when live or under load. The circuit design should ensure header pins, which can be touched, are not live when unmated.

Ferrule	Page 879
Insulation stop	Page 541
Marking	Page 865
Strain relief	Page 543
Test and measurement	Page 539
Tool	Page 870
Direct marking	Page 548
See technical section for further information	
For approvals and corresponding ratings, visit www.wago.com	

2-conductor female connector ▶ MCS MIDI ▶ 721 Series

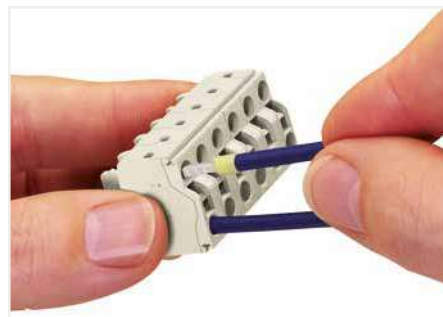
Pin spacing: 7.5 mm / 0.295 inch ▶ Actuation type: Operating tool ▶ Push-in CAGE CLAMP® ▶ Conductor entry direction to mating direction: 0° ▶ Color: light gray

Locking of plug-in connection: Locking lever

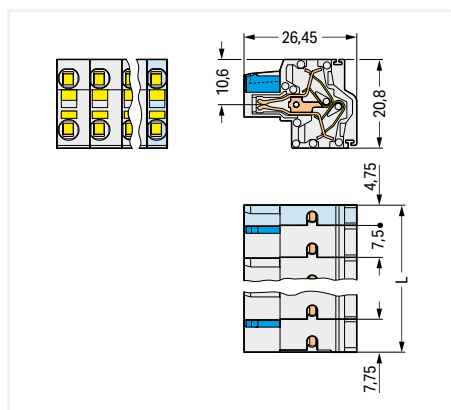


Operating Push-in CAGE CLAMP® is easy, fast and identical to that of CAGE CLAMP®. The screwdriver is fully inserted into the operating slot, holding Push-in CAGE CLAMP® open. After the conductor has been inserted into the clamping unit and the screwdriver been withdrawn, the conductor is clamped safely. Solid and fine-stranded conductors < 0.5 mm² (20 AWG) are terminated and removed using a screwdriver.

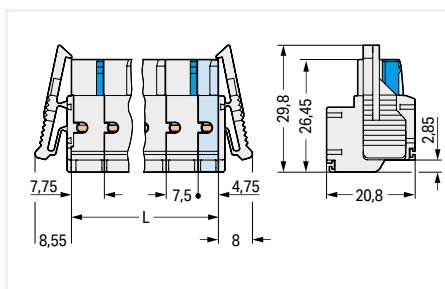
Pole No.	Item No.	PU	Pole No.	Item No.	PU
2	721-2202/026-000	100	2	721-2202/037-000	50
3	721-2203/026-000	100	3	721-2203/037-000	50
4	721-2204/026-000	50	4	721-2204/037-000	50
5	721-2205/026-000	50	5	721-2205/037-000	50
6	721-2206/026-000	50	6	721-2206/037-000	25
7	721-2207/026-000	50	7	721-2207/037-000	25
8	721-2208/026-000	25	8	721-2208/037-000	25
9	721-2209/026-000	25	9	721-2209/037-000	25
10	721-2210/026-000	25	10	721-2210/037-000	25
11	721-2211/026-000	25	11	721-2211/037-000	10
12	721-2212/026-000	25	12	721-2212/037-000	10



Solid conductors ≥ 0.5 mm² (20 AWG), as well as ferruled, fine-stranded conductors can be terminated by simply pushing them into unit. Integrated test ports allow touch contact with current bar via test probes in both horizontal and vertical directions.



L = (pole no. - 2) x pin spacing + 12.5 mm
2-pole female connectors – one latch only



L = (pole no. - 2) x pin spacing + 12.5 mm
2-pole female connectors – one latch only

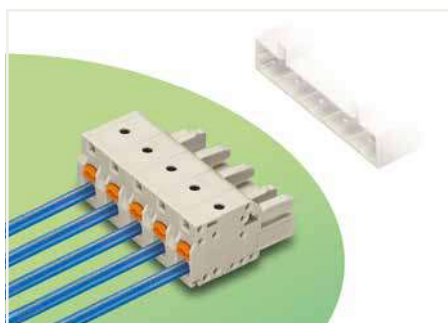
PU = Packaging Unit; SPU = Subpackaging Unit; Dimensions in mm

Other versions (or variants) can be requested from WAGO Sales or configured at <https://configurator.wago.com/>.

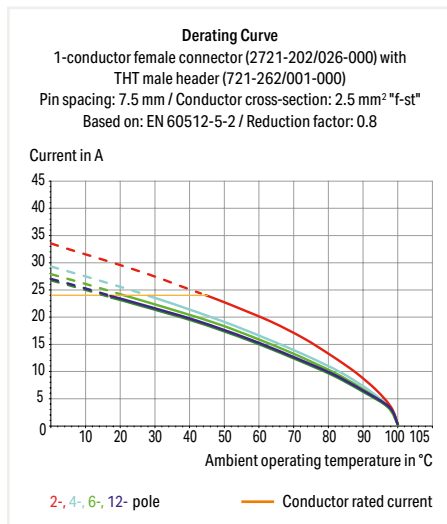
- Other pole numbers
- Gold-plated or partially gold-plated contact surfaces

1-conductor female plug ▶ MCS MIDI ▶ 2721 Series

Pin spacing: 7.5 mm / 0.295 inch ▶ Actuation type: Push-button ▶ Push-in CAGE CLAMP® ▶ Conductor entry direction to mating direction: 0° ▶ Color: light gray



- Universal connection for all conductor types
- Easy-to-use design does not require specialty tools
- Ability to wire while mated
- Simple, push-in termination of solid and ferruled conductors
- Integrated test ports for testing parallel to the conductor entry
- 100% protected against mismatching
- Coding option available



Electrical Data

Ratings per	IEC/EN 60664-1		
Overvoltage category	III	III	II
Pollution degree	3	2	2
Rated voltage	500 V	630 V	1000 V
Rated impulse voltage	6 kV	6 kV	6 kV
Rated current	16 A	16 A	16 A
Approbations per	UL 1059		
Use group	B	C	D
Rated voltage	300 V	150 V	300 V
Rated current	15 A	15 A	10 A
Approbations per	UL 1977		
Rated voltage	600 V		
Rated current	15 A		
Approbations per	CSA		
Use group	B	C	D
Rated voltage	300 V	300 V	300 V
Rated current	15 A	15 A	10 A

Connection Data

Connection technology	Push-in CAGE CLAMP®
Strip length	10 ... 11 mm / 0.39 ... 0.43 inch
Solid conductor	0.2 ... 2.5 mm ² / 24 ... 12 AWG
Fine-stranded conductor	0.2 ... 2.5 mm ² / 24 ... 12 AWG
Fine-stranded conductor; with insulated ferrule	0.25 ... 1.5 mm ²
Fine-stranded conductor; with uninsulated ferrule	0.25 ... 2.5 mm ²

Material Data

Material group	I
Insulation material	Polyamide (PA66)
Flammability class per UL94	V0
Clamping spring material	Chrome nickel spring steel (CrNi)
Contact material	Copper alloy
Contact plating	Tin-plated

Environmental Requirements

Limit temperature range	-60 ... +100 °C
-------------------------	-----------------

The MCS – MULTI CONNECTION SYSTEM includes connectors without breaking capacity in accordance with DIN EN 61984. When used as intended, these connectors must not be connected/disconnected when live or under load. The circuit design should ensure header pins, which can be touched, are not live when unmated.

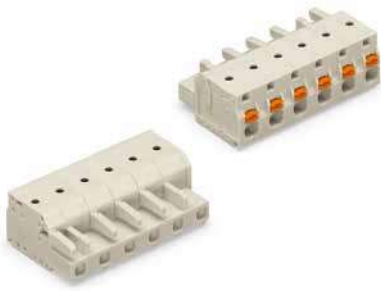
Ferrule	Page 879
Insulation stop	Page 541
Marking	Page 865
Mounting	Page 546
Mounting adapter	Page 547
Strain relief	Page 543
Test and measurement	Page 539, 886
Tool	Page 870
Direct marking	Page 548
Cutout dimensions	Page 552
See technical section for further information	
For approvals and corresponding ratings, visit www.wago.com	

1-conductor female plug ▶ MCS MIDI ▶ 2721 Series

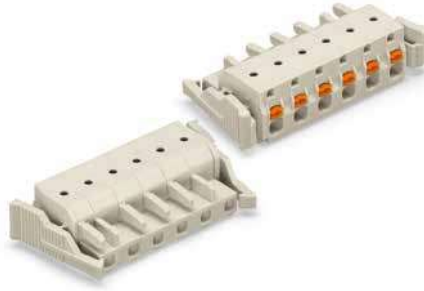
Pin spacing: 7.5 mm / 0.295 inch ▶ Actuation type: Push-button ▶ Push-in CAGE CLAMP® ▶ Conductor entry direction to mating direction: 0° ▶ Color: light gray

Locking of plug-in connection: Locking lever

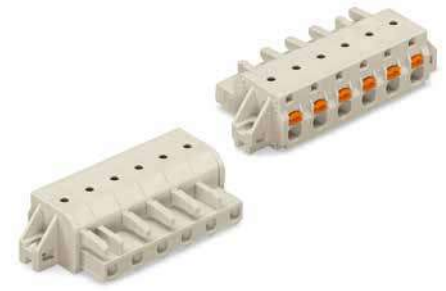
Mounting type: Feed-through mounting; Panel mounting
▶ Mounting type: Mounting flange



2721-206/026-000



2721-206/037-000

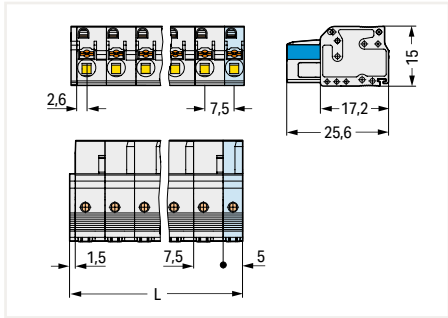


2721-206/031-000

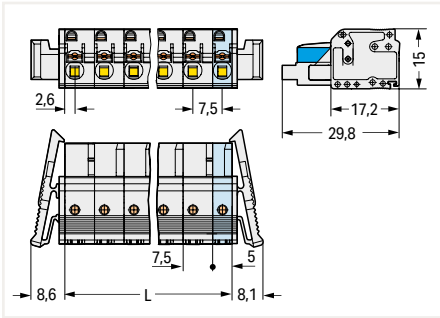
Pole No.	Item No.	PU
2	2721-202/026-000	100
3	2721-203/026-000	100
4	2721-204/026-000	50
5	2721-205/026-000	50
6	2721-206/026-000	50
7	2721-207/026-000	50
8	2721-208/026-000	25
9	2721-209/026-000	25
10	2721-210/026-000	25
11	2721-211/026-000	25
12	2721-212/026-000	25

Pole No.	Item No.	PU
2	2721-202/037-000	50
3	2721-203/037-000	50
4	2721-204/037-000	50
5	2721-205/037-000	50
6	2721-206/037-000	25
7	2721-207/037-000	25
8	2721-208/037-000	25
9	2721-209/037-000	25
10	2721-210/037-000	25
11	2721-211/037-000	10
12	2721-212/037-000	10

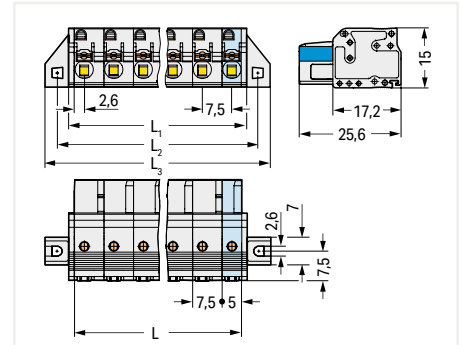
Pole No.	Item No.	PU
2	2721-202/031-000	50
3	2721-203/031-000	50
4	2721-204/031-000	50
5	2721-205/031-000	50
6	2721-206/031-000	25
7	2721-207/031-000	25
8	2721-208/031-000	25
9	2721-209/031-000	25
10	2721-210/031-000	25
11	2721-211/031-000	10
12	2721-212/031-000	10



L = (pole no. - 1) x pin spacing + 5 mm + 1.5 mm
2-pole female connectors – one latch only



L = (pole no. - 1) x pin spacing + 5 mm
2-pole female connectors – one latch only



L = (pole no. - 1) x pin spacing + 5 mm
L₁ = L + 2.8 mm
L₂ = L + 8.8 mm
L₃ = L + 14.8 mm
2-pole female connectors – one latch only

8

PU = Packaging Unit; SPU = Subpackaging Unit; Dimensions in mm

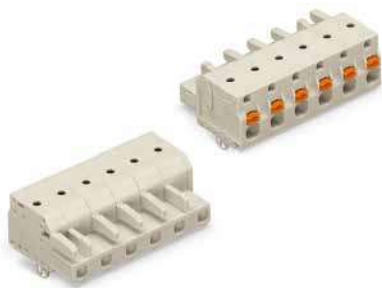
Other versions (or variants) can be requested from WAGO Sales or configured at <https://configurator.wago.com/>.

- Other pole numbers
- Gold-plated or partially gold-plated contact surfaces

1-conductor female plug ▶ MCS MIDI ▶ 2721 Series

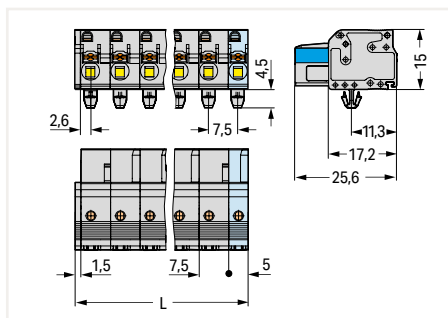
Pin spacing: 7.5 mm / 0.295 inch ▶ Actuation type: Push-button ▶ Push-in CAGE CLAMP® ▶ Conductor entry direction to mating direction: 0 ° ▶ Color: light gray

Mounting type: Panel mounting ▶ Mounting type: Snap-in foot



2721-206/008-000

Pole No.	Item No.	PU
2	2721-202/008-000	100
3	2721-203/008-000	100
4	2721-204/008-000	50
5	2721-205/008-000	50
6	2721-206/008-000	50
7	2721-207/008-000	50
8	2721-208/008-000	25
9	2721-209/008-000	25
10	2721-210/008-000	25
11	2721-211/008-000	10
12	2721-212/008-000	25



$L = (\text{pole no.} - 1) \times \text{pin spacing} + 5 \text{ mm} + 1.5 \text{ mm}$
2-pole female connectors – one latch only

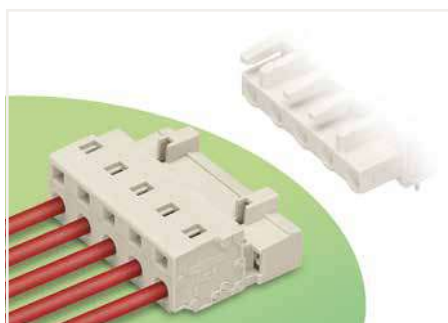
PU = Packaging Unit; SPU = Subpackaging Unit; Dimensions in mm

Other versions (or variants) can be requested from WAGO Sales or configured at <https://configurator.wago.com/>.

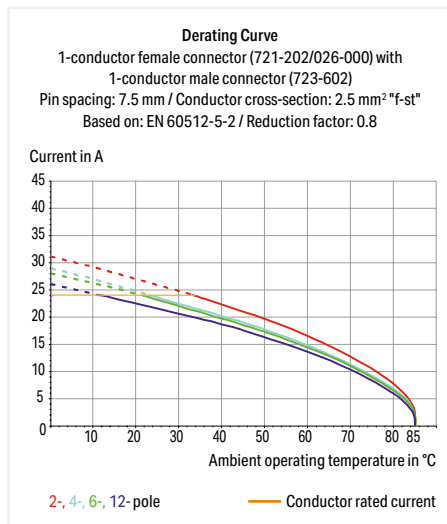
- Other pole numbers
- Gold-plated or partially gold-plated contact surfaces

1-conductor male connector ▶ MCS MIDI ▶ 723 Series

Pin spacing: 7.5 mm / 0.295 inch ▶ Actuation type: Operating tool ▶ CAGE CLAMP® ▶ Conductor entry direction to mating direction: 0° ▶ Color: light gray



- Universal connection for all conductor types
- Easy cable pre-assembly and on-unit wiring via vertical and horizontal CAGE CLAMP® actuation
- For wire-to-wire and board-to-wire connections
- Versions available with snap-in mounting feet or flanges for panel or through-panel mounting
- 3- to 5-pole male connectors are also available with preceding ground contact
- 100 % protected against mismatching
- With coding fingers



Electrical Data

Ratings per	IEC/EN 60664-1		
Overvoltage category	III	III	II
Pollution degree	3	2	2
Rated voltage	500 V	630 V	1000 V
Rated impulse voltage	6 kV	6 kV	6 kV
Rated current	12 A	12 A	12 A
Approvals per	UL 1059		
Use group	B	C	D
Rated voltage	300 V	-	300 V
Rated current	15 A	-	10 A
Approvals per	UL 1977		
Rated voltage	600 V		
Rated current	15 A		
Approvals per	CSA		
Use group	B	C	D
Rated voltage	300 V	-	300 V
Rated current	15 A	-	10 A

Connection Data

Connection technology	CAGE CLAMP®
Strip length	8 ... 9 mm / 0.31 ... 0.35 inch
Solid conductor	0.08 ... 2.5 mm ² / 28 ... 12 AWG
Fine-stranded conductor	0.08 ... 2.5 mm ² / 28 ... 12 AWG
Fine-stranded conductor; with insulated ferrule	0.25 ... 1.5 mm ²
Fine-stranded conductor; with uninsulated ferrule	0.25 ... 2.5 mm ²

Material Data

Material group	I
Insulation material	Polyamide (PA66)
Flammability class per UL94	V0
Clamping spring material	Chrome nickel spring steel (CrNi)
Contact material	Electrolytic copper (E _{cu})
Contact plating	Tin-plated

Environmental Requirements

Limit temperature range	-60 ... +100 °C
-------------------------	-----------------

The MCS – MULTI CONNECTION SYSTEM includes connectors without breaking capacity in accordance with DIN EN 61984. When used as intended, these connectors must not be connected/disconnected when live or under load. The circuit design should ensure header pins, which can be touched, are not live when unmated.

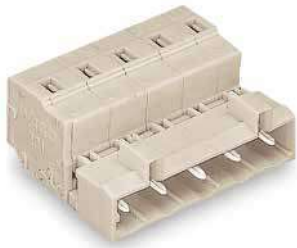
Coding	Page 540
Ferrule	Page 879
General accessories	Page 541
Insulation stop	Page 541
Mounting	Page 546
Mounting adapter	Page 547
Strain relief	Page 545
Tool	Page 538
Direct marking	Page 548
Cutout dimensions	Page 552
See technical section for further information	
For approvals and corresponding ratings, visit www.wago.com	

1-conductor male connector ▶ MCS MIDI ▶ 723 Series

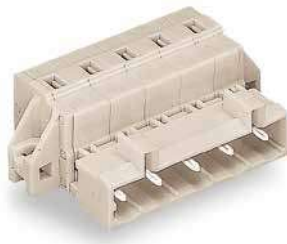
Pin spacing: 7.5 mm / 0.295 inch ▶ Actuation type: Operating tool ▶ CAGE CLAMP® ▶ Conductor entry direction to mating direction: 0° ▶ Color: light gray

Mounting type: Feed-through mounting; Panel mounting
▶ Mounting type: Mounting flange

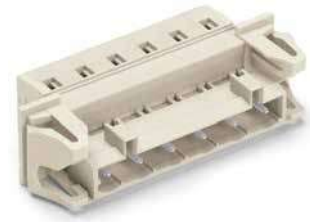
Mounting type: Feed-through mounting ▶ Mounting type: Snap-in



723-605



723-605/019-000

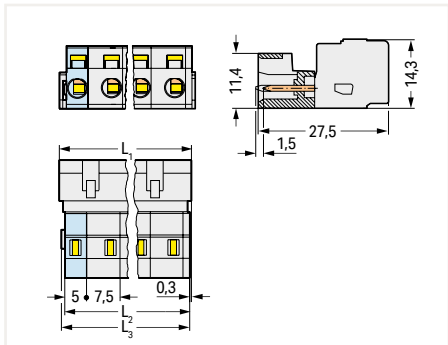


723-606/114-000

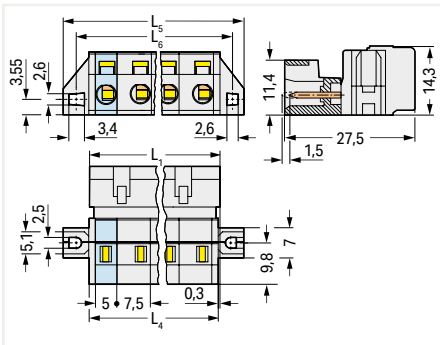
Pole No.	Item No.	PU
2	723-602	100
3	723-603	100
4	723-604	50
5	723-605	50
6	723-606	50
7	723-607	50
8	723-608	25
9	723-609	25
10	723-610	25
11	723-611	25
12	723-612	25

Pole No.	Item No.	PU
2	723-602/019-000	50
3	723-603/019-000	50
4	723-604/019-000	50
5	723-605/019-000	50
6	723-606/019-000	25
7	723-607/019-000	25
8	723-608/019-000	25
9	723-609/019-000	25
10	723-610/019-000	25
11	723-611/019-000	10
12	723-612/019-000	10

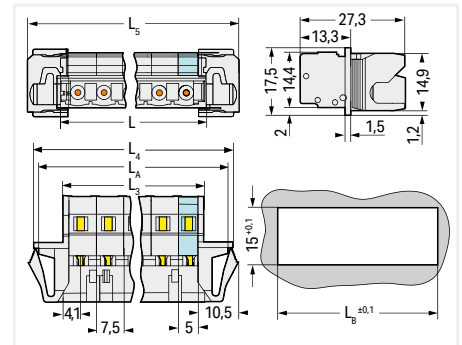
Pole No.	Item No.	PU
2	723-602/114-000	50
3	723-603/114-000	50
4	723-604/114-000	50
5	723-605/114-000	25
6	723-606/114-000	25
7	723-607/114-000	25
8	723-608/114-000	25
9	723-609/114-000	25
10	723-610/114-000	10
11	723-611/114-000	10
12	723-612/114-000	10



$L_1 = (\text{pole no.} - 1) \times \text{pin spacing} + 8.2 \text{ mm}$
 $L_2 = L_1 - 1.7 \text{ mm}$
 $L_3 = L_1 - 1.2 \text{ mm}$



$L_1 = (\text{pole no.} - 1) \times \text{pin spacing} + 8.2 \text{ mm}$
 $L_4 = L_1 - 0.2 \text{ mm}$
 $L_5 = L_4 + 5.8 \text{ mm}$
 $L_6 = L_4 + 11.8 \text{ mm}$



$L = (\text{pole no.} - 1) \times \text{pin spacing} + 8.2 \text{ mm}$
 $L_3 = L - 0.2 \text{ mm}$
 $L_4 = L_3 + 15.2 \text{ mm}$
 $L_5 = L_3 + 18 \text{ mm}$
 $L_6 = L_3 + 12.6 \text{ mm}$
 $L_7 = L_3 + 13.2 \text{ mm}$

PU = Packaging Unit; SPU = Subpackaging Unit; Dimensions in mm

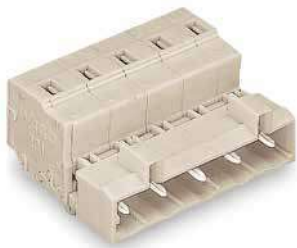
Other versions (or variants) can be requested from WAGO Sales or configured at <https://configurator.wago.com/>.

- Other pole numbers
- Gold-plated or partially gold-plated contact surfaces

1-conductor male connector ▶ MCS MIDI ▶ 723 Series

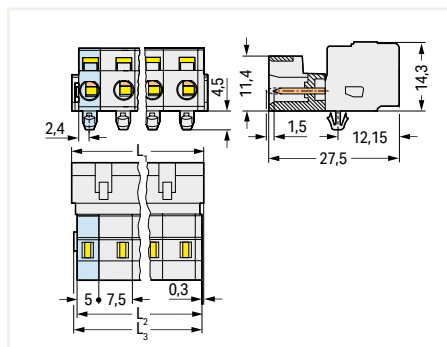
Pin spacing: 7.5 mm / 0.295 inch ▶ Actuation type: Operating tool ▶ CAGE CLAMP® ▶ Conductor entry direction to mating direction: 0° ▶ Color: light gray

Mounting type: Panel mounting ▶ Mounting type: Snap-in foot



723-605/018-000

Pole No.	Item No.	PU
2	723-602/018-000	100
3	723-603/018-000	100
4	723-604/018-000	50
5	723-605/018-000	50
6	723-606/018-000	50
7	723-607/018-000	50
8	723-608/018-000	25
9	723-609/018-000	25
10	723-610/018-000	25
11	723-611/018-000	25
12	723-612/018-000	25



$L_1 = (\text{pole no.} - 1) \times \text{pin spacing} + 8.2 \text{ mm}$

$L_2 = L_1 - 1.7 \text{ mm}$

$L_3 = L_1 - 1.2 \text{ mm}$

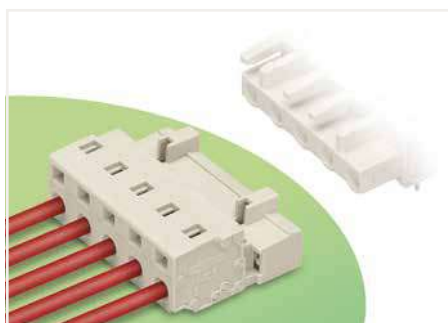
PU = Packaging Unit; SPU = Subpackaging Unit; Dimensions in mm

Other versions (or variants) can be requested from WAGO Sales or configured at <https://configurator.wago.com/>.

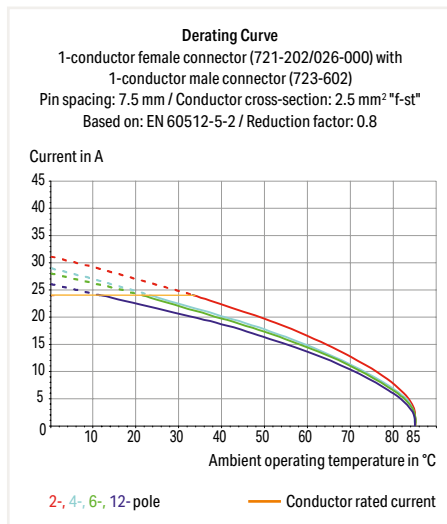
- Other pole numbers
- Gold-plated or partially gold-plated contact surfaces

1-conductor male connector ▶ MCS MIDI ▶ 723 Series

Pin spacing: 7.5 mm / 0.295 inch ▶ Actuation type: Operating tool ▶ CAGE CLAMP® ▶ with preceding ground contact ▶ Conductor entry direction to mating direction: 0° ▶ Color: light gray



- Universal connection for all conductor types
- Easy cable pre-assembly and on-unit wiring via vertical and horizontal CAGE CLAMP® actuation
- For wire-to-wire and board-to-wire connections
- Versions available with snap-in mounting feet or flanges for panel or through-panel mounting
- 3- to 5-pole male connectors are also available with preceding ground contact
- 100 % protected against mismatching
- With coding fingers



Electrical Data

Ratings per	IEC/EN 60664-1		
Overvoltage category	III	III	II
Pollution degree	3	2	2
Rated voltage	500 V	630 V	1000 V
Rated impulse voltage	6 kV	6 kV	6 kV
Rated current	12 A	12 A	12 A
Approbations per	UL 1059		
Use group	B	C	D
Rated voltage	300 V	-	300 V
Rated current	15 A	-	10 A
Approbations per	UL 1977		
Rated voltage	600 V		
Rated current	15 A		
Approbations per	CSA		
Use group	B	C	D
Rated voltage	300 V	-	300 V
Rated current	15 A	-	10 A

Connection Data

Connection technology	CAGE CLAMP®
Strip length	8 ... 9 mm / 0.31 ... 0.35 inch
Solid conductor	0.08 ... 2.5 mm ² / 28 ... 12 AWG
Fine-stranded conductor	0.08 ... 2.5 mm ² / 28 ... 12 AWG
Fine-stranded conductor; with insulated ferrule	0.25 ... 1.5 mm ²
Fine-stranded conductor; with uninsulated ferrule	0.25 ... 2.5 mm ²

Material Data

Material group	I
Insulation material	Polyamide (PA66)
Flammability class per UL94	V0
Clamping spring material	Chrome nickel spring steel (CrNi)
Contact material	Electrolytic copper (E _{cu})
Contact plating	Tin-plated

Environmental Requirements

Limit temperature range	-60 ... +100 °C
-------------------------	-----------------

The MCS – MULTI CONNECTION SYSTEM includes connectors without breaking capacity in accordance with DIN EN 61984. When used as intended, these connectors must not be connected/disconnected when live or under load. The circuit design should ensure header pins, which can be touched, are not live when unmated.

Coding	Page 540
Ferrule	Page 879
General accessories	Page 541
Insulation stop	Page 541
Mounting	Page 546
Mounting adapter	Page 547
Strain relief	Page 545
Tool	Page 538
Direct marking	Page 548
Cutout dimensions	Page 552

See technical section for further information

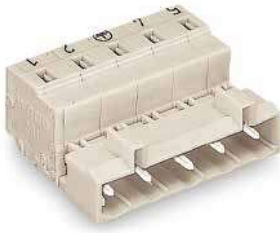
For approvals and corresponding ratings, visit www.wago.com

1-conductor male connector ▶ MCS MIDI ▶ 723 Series

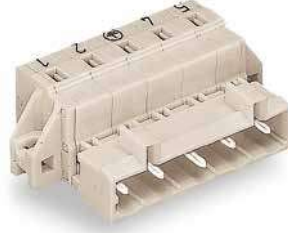
Pin spacing: 7.5 mm / 0.295 inch ▶ Actuation type: Operating tool ▶ CAGE CLAMP® ▶ with preceding ground contact ▶ Conductor entry direction to mating direction: 0° ▶ Color: light gray

Mounting type: Feed-through mounting; Panel mounting
▶ Mounting type: Mounting flange

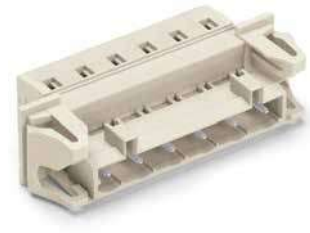
Mounting type: Feed-through mounting ▶ Mounting type: Snap-in



723-605/000-042



723-605/019-042

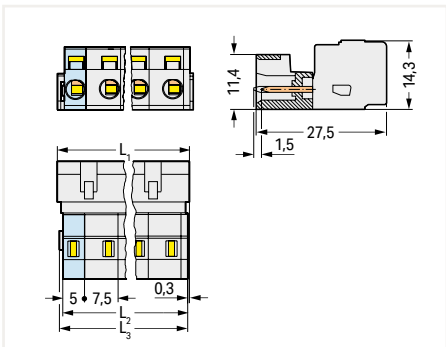


723-606/114-000

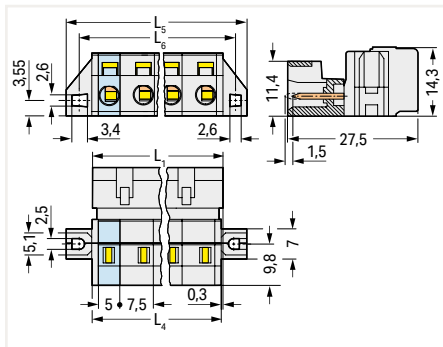
Pole No.	Item No.	PU
3	723-603/000-042	100
4	723-604/000-042	50
5	723-605/000-042	50

Pole No.	Item No.	PU
3	723-603/019-042	50
4	723-604/019-042	50
5	723-605/019-042	50

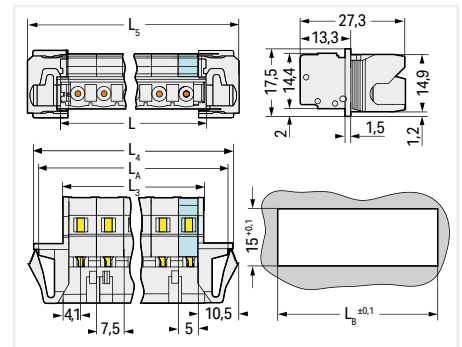
Pole No.	Item No.	PU
3	723-603/114-042	50
4	723-604/114-042	50
5	723-605/114-042	25



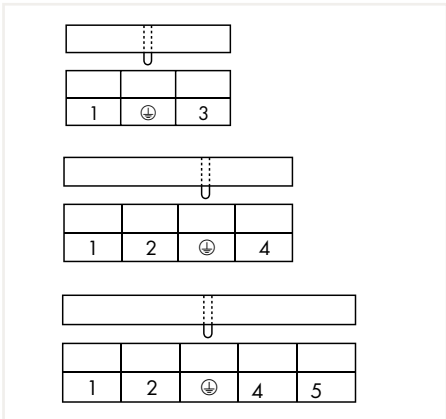
$L_1 = (\text{pole no.} - 1) \times \text{pin spacing} + 8.2 \text{ mm}$
 $L_2 = L_1 - 1.7 \text{ mm}$
 $L_3 = L_1 - 1.2 \text{ mm}$



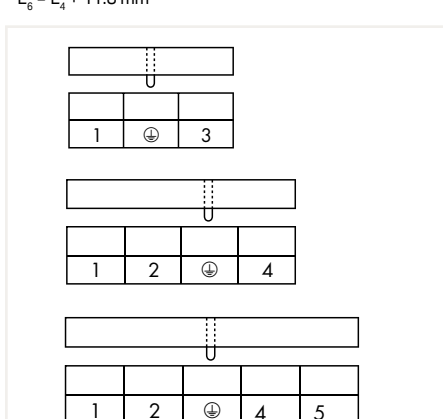
$L_1 = (\text{pole no.} - 1) \times \text{pin spacing} + 8.2 \text{ mm}$
 $L_4 = L_1 - 0.2 \text{ mm}$
 $L_5 = L_4 + 5.8 \text{ mm}$
 $L_6 = L_4 + 11.8 \text{ mm}$



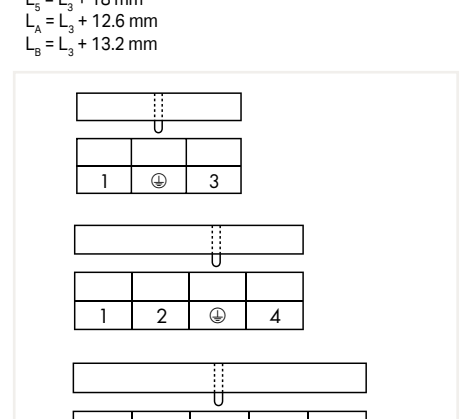
$L = (\text{pole no.} - 1) \times \text{pin spacing} + 8.2 \text{ mm}$
 $L_3 = L - 0.2 \text{ mm}$
 $L_4 = L_3 + 15.2 \text{ mm}$
 $L_5 = L_3 + 18 \text{ mm}$
 $L_6 = L_3 + 12.6 \text{ mm}$
 $L_8 = L_3 + 13.2 \text{ mm}$



Preceding ground contact position



Preceding ground contact position



Preceding ground contact position

PU = Packaging Unit; SPU = Subpackaging Unit; Dimensions in mm

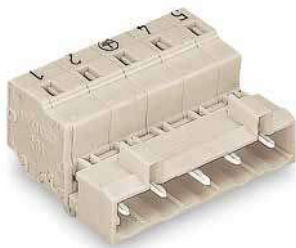
Other versions (or variants) can be requested from WAGO Sales or configured at <https://configurator.wago.com/>.

- Other pole numbers
- Gold-plated or partially gold-plated contact surfaces

1-conductor male connector ▶ MCS MIDI ▶ 723 Series

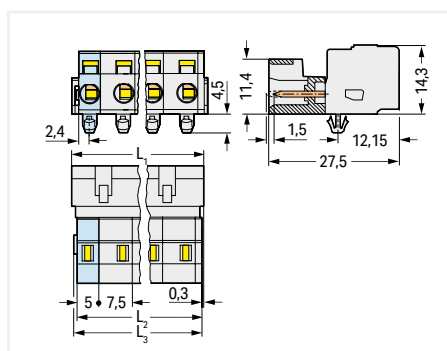
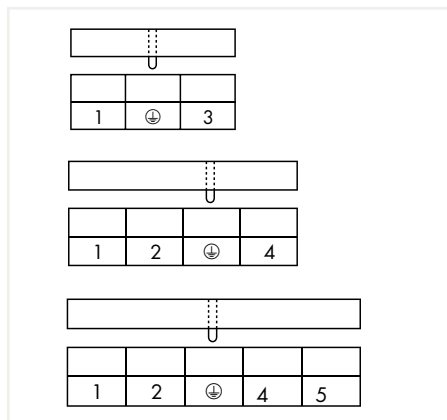
Pin spacing: 7.5 mm / 0.295 inch ▶ Actuation type: Operating tool ▶ CAGE CLAMP® ▶ with preceding ground contact ▶ Conductor entry direction to mating direction: 0° ▶ Color: light gray

Mounting type: Panel mounting ▶ Mounting type: Snap-in foot



723-605/018-042

Pole No.	Item No.	PU
3	723-603/018-042	100
4	723-604/018-042	50
5	723-605/018-042	50


 $L_1 = (\text{pole no.} - 1) \times \text{pin spacing} + 8.2 \text{ mm}$
 $L_2 = L_1 - 1.7 \text{ mm}$
 $L_3 = L_1 - 1.2 \text{ mm}$


Preceding ground contact position

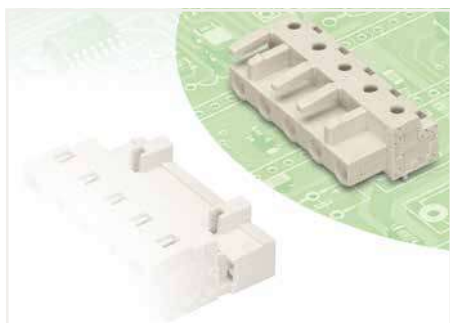
PU = Packaging Unit; SPU = Subpackaging Unit; Dimensions in mm

Other versions (or variants) can be requested from WAGO Sales or configured at <https://configurator.wago.com/>.

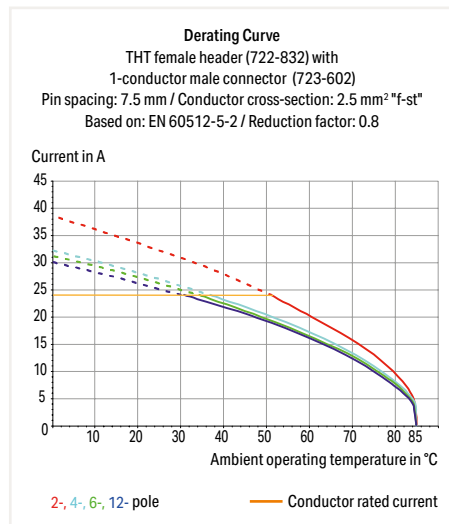
- Other pole numbers
- Gold-plated or partially gold-plated contact surfaces

THT female header ▶ MCS MIDI ▶ 722 Series

Pin spacing: 7.5 mm / 0.295 inch ▶ Solder pin dimensions: 0.6 x 1 mm ▶ Color: light gray



- Horizontal or vertical PCB mounting via straight or angled solder pins
- For board-to-board and board-to-wire connections
- Touch-proof PCB outputs
- Easy-to-identify PCB inputs and outputs
- 100 % protected against mismatching
- With coding fingers

**Electrical Data**

Ratings per	IEC/EN 60664-1		
Overvoltage category	III	III	II
Pollution degree	3	2	2
Rated voltage	500 V	630 V	1000 V
Rated impulse voltage	6 kV	6 kV	6 kV
Rated current	12 A	12 A	12 A
Approbations per	UL 1059		
Use group	B	C	D
Rated voltage	300 V	-	300 V
Rated current	15 A	-	10 A
Approbations per	UL 1977		
Rated voltage	600 V		
Rated current	15 A		
Approbations per	CSA		
Use group	B	C	D
Rated voltage	300 V	-	300 V
Rated current	15 A	-	10 A

Material Data

Material group	I
Insulation material	Polyamide (PA66)
Flammability class per UL94	V0
Contact material	Copper alloy
Contact plating	Tin-plated

Mechanical Data

Solder pin arrangement	Over the entire female connector (in-line)
Solder pin length	5 mm
Solder pin dimensions	0.6 x 1 mm
Drilled hole diameter with tolerance	1.3 ^(±0.1) mm

Environmental Requirements

Limit temperature range	-60 ... +85 °C
-------------------------	----------------

The MCS – MULTI CONNECTION SYSTEM includes connectors without breaking capacity in accordance with DIN EN 61984. When used as intended, these connectors must not be connected/disconnected when live or under load. The circuit design should ensure header pins, which can be touched, are not live when unmated.

Mounting Page 869

Test and measurement Page 539, 886

Cutout dimensions Page 552

See technical section for further information

For approvals and corresponding ratings, visit www.wago.com

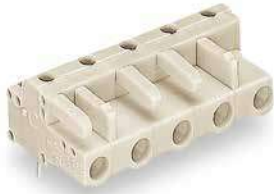
THT female header ▶ MCS MIDI ▶ 722 Series

Pin spacing: 7.5 mm / 0.295 inch ▶ Solder pin dimensions: 0.6 x 1 mm ▶ Color: light gray

Mating direction to the PCB: 0°

Mating direction to the PCB: 90°

Locking of plug-in connection: Locking lever ▶ Mating direction to the PCB: 0°



722-835



722-735

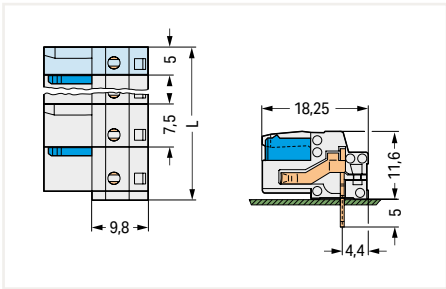


722-835/039-000

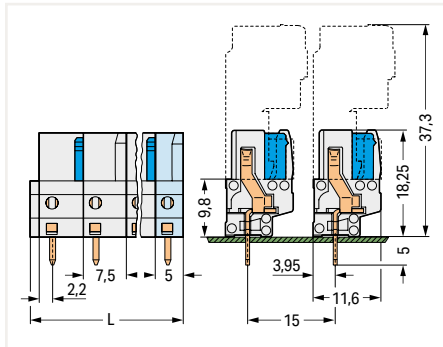
Pole No.	Item No.	PU
2	722-832	100
3	722-833	100
4	722-834	50
5	722-835	50
6	722-836	50
7	722-837	50
8	722-838	25
9	722-839	25
10	722-840	25
12	722-842	25

Pole No.	Item No.	PU
2	722-732	100
3	722-733	100
4	722-734	50
5	722-735	50
6	722-736	50
7	722-737	50
8	722-738	25
9	722-739	25
10	722-740	25
11	722-741	25
12	722-742	25

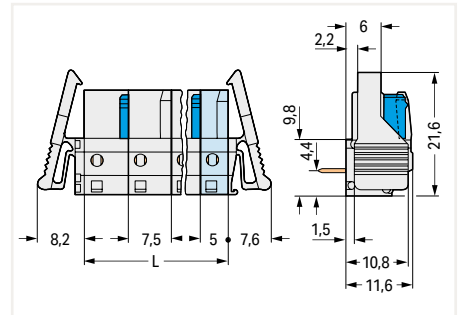
Pole No.	Item No.	PU
2	722-832/039-000	50
3	722-833/039-000	50
4	722-834/039-000	50
5	722-835/039-000	50
6	722-836/039-000	25
7	722-837/039-000	25
8	722-838/039-000	25
9	722-839/039-000	25
10	722-840/039-000	25
11	722-841/039-000	10
12	722-842/039-000	10



L = (pole no. - 1) x pin spacing + 5 mm + 1.5 mm
2-pole female connectors – one latch only



L = (pole no. - 1) x pin spacing + 5 mm + 1.5 mm
2-pole female connectors – one latch only



L = (pole no. - 1) x pin spacing + 5 mm
2-pole female connectors – one latch only

PU = Packaging Unit; SPU = Subpackaging Unit; Dimensions in mm

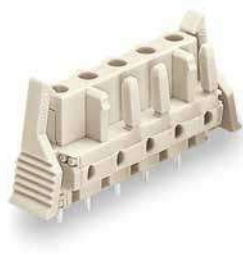
Other versions (or variants) can be requested from WAGO Sales or configured at <https://configurator.wago.com/>.

- Other pole numbers
- 3.8 mm pin projection for male headers with straight solder pins

THT female header ▶ MCS MIDI ▶ 722 Series

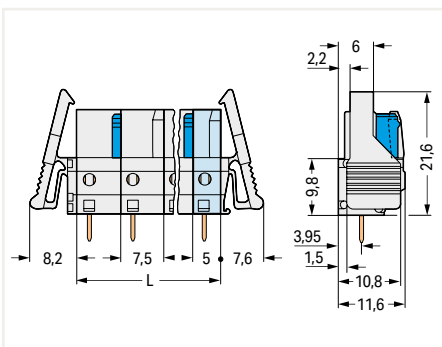
Pin spacing: 7.5 mm / 0.295 inch ▶ Solder pin dimensions: 0.6 x 1 mm ▶ Color: light gray

Locking of plug-in connection: Locking lever ▶ Mating direction to the PCB: 90°



722-735/039-000

Pole No.	Item No.	PU
2	722-732/039-000	50
3	722-733/039-000	50
4	722-734/039-000	50
5	722-735/039-000	50
6	722-736/039-000	25
7	722-737/039-000	25
8	722-738/039-000	25
9	722-739/039-000	25
10	722-740/039-000	25
11	722-741/039-000	10
12	722-742/039-000	10



$L = (\text{pole no.} - 1) \times \text{pin spacing} + 5 \text{ mm} + 1.5 \text{ mm}$
 2-pole female connectors – one latch only

PU = Packaging Unit; SPU = Subpackaging Unit; Dimensions in mm

Other versions (or variants) can be requested from WAGO Sales or configured at <https://configurator.wago.com/>.

- Other pole numbers
- 3.8 mm pin projection for male headers with straight solder pins

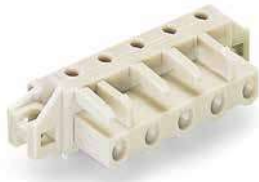
THT female header ▶ MCS MIDI ▶ 722 Series

Pin spacing: 7.5 mm / 0.295 inch ▶ Solder pin dimensions: 0.6 x 1 mm ▶ Color: light gray

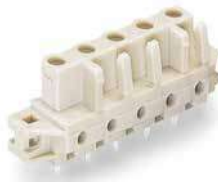
Mounting type: Feed-through mounting; Panel mounting ▶ Mounting type: Mounting flange

Mating direction to the PCB: 0°

Mating direction to the PCB: 90°



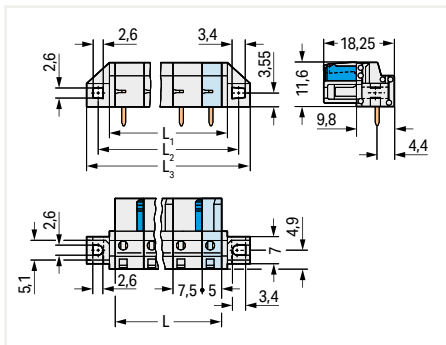
722-835/031-000



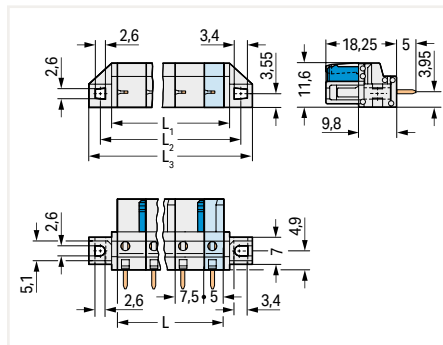
722-735/031-000

Pole No.	Item No.	PU
2	722-832/031-000	50
3	722-833/031-000	50
4	722-834/031-000	50
5	722-835/031-000	50
6	722-836/031-000	25
7	722-837/031-000	25
8	722-838/031-000	25
9	722-839/031-000	25
10	722-840/031-000	25
11	722-841/031-000	10
12	722-842/031-000	10

Pole No.	Item No.	PU
2	722-732/031-000	50
3	722-733/031-000	50
4	722-734/031-000	50
5	722-735/031-000	50
6	722-736/031-000	25
7	722-737/031-000	25
8	722-738/031-000	25
9	722-739/031-000	25
10	722-740/031-000	25
11	722-741/031-000	10
12	722-742/031-000	10



$L = (\text{pole no.} - 1) \times \text{pin spacing} + 5 \text{ mm}$
 $L_1 = L + 3 \text{ mm}$
 $L_2 = L + 8.8 \text{ mm}$
 $L_3 = L + 14.8 \text{ mm}$
 2-pole female connectors – one latch only



$L = (\text{pole no.} - 1) \times \text{pin spacing} + 5 \text{ mm}$
 $L_1 = L + 3 \text{ mm}$
 $L_2 = L + 8.8 \text{ mm}$
 $L_3 = L + 14.8 \text{ mm}$
 2-pole female connectors – one latch only

PU = Packaging Unit; SPU = Subpackaging Unit; Dimensions in mm

Other versions (or variants) can be requested from WAGO Sales or configured at <https://configurator.wago.com/>.

- Other pole numbers
- 3.8 mm pin projection for male headers with straight solder pins

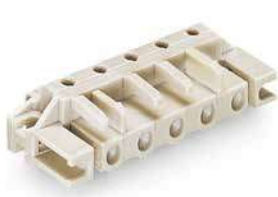
THT female header ▶ MCS MIDI ▶ 722 Series

Pin spacing: 7.5 mm / 0.295 inch ▶ Solder pin dimensions: 0.6 x 1 mm ▶ Color: light gray

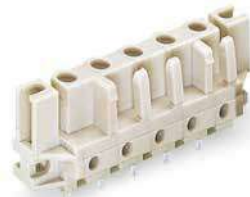
Mounting type: Flush feed-through mounting; Panel mounting ▶ Mounting type: Mounting flange

Mating direction to the PCB: 0°

Mating direction to the PCB: 90°



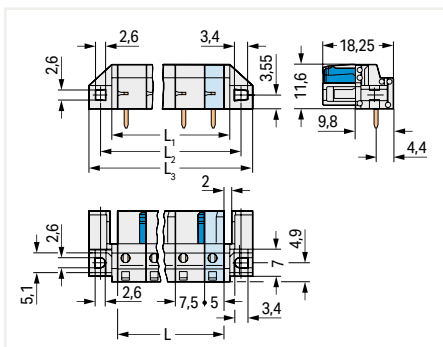
722-835/047-000



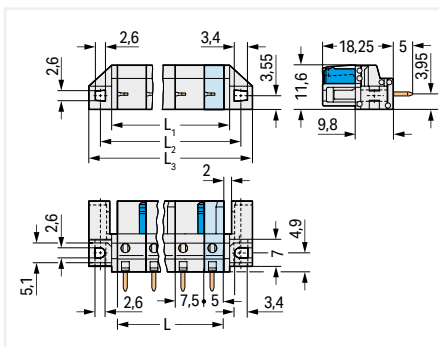
722-735/047-000

Pole No.	Item No.	PU
2	722-832/047-000	50
3	722-833/047-000	50
4	722-834/047-000	50
5	722-835/047-000	50
6	722-836/047-000	25
7	722-837/047-000	25
8	722-838/047-000	25
9	722-839/047-000	25
10	722-840/047-000	25
11	722-841/047-000	10
12	722-842/047-000	10

Pole No.	Item No.	PU
2	722-732/047-000	50
3	722-733/047-000	50
4	722-734/047-000	50
5	722-735/047-000	50
6	722-736/047-000	25
7	722-737/047-000	25
8	722-738/047-000	25
9	722-739/047-000	25
10	722-740/047-000	25
11	722-741/047-000	10
12	722-742/047-000	10



$L = (\text{pole no.} - 1) \times \text{pin spacing} + 5 \text{ mm}$
 $L_1 = L + 3 \text{ mm}$
 $L_2 = L + 8.8 \text{ mm}$
 $L_3 = L + 14.8 \text{ mm}$
 2-pole female connectors – one latch only



$L = (\text{pole no.} - 1) \times \text{pin spacing} + 5 \text{ mm}$
 $L_1 = L + 3 \text{ mm}$
 $L_2 = L + 8.8 \text{ mm}$
 $L_3 = L + 14.8 \text{ mm}$
 2-pole female connectors – one latch only

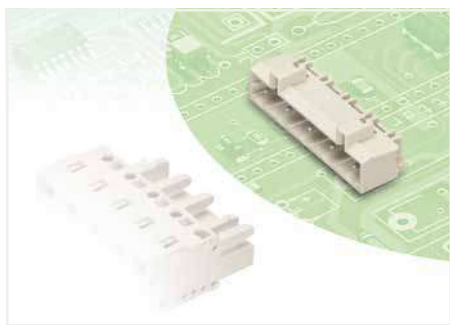
PU = Packaging Unit; SPU = Subpackaging Unit; Dimensions in mm

Other versions (or variants) can be requested from WAGO Sales or configured at <https://configurator.wago.com/>.

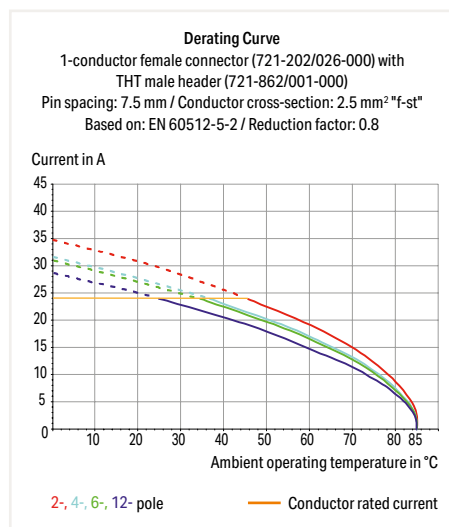
- Other pole numbers
- 3.8 mm pin projection for male headers with straight solder pins

THT male header ▶ MCS MIDI ▶ 721 Series

Pin spacing: 7.5 mm / 0.295 inch ▶ Solder pin dimensions: 1 x 1 mm ▶ Color: light gray



- Horizontal or vertical PCB mounting via straight or angled solder pins
- Pin cross-section: 1 x 1 mm
- 100 % protected against mismatching
- With coding fingers

**Electrical Data**

Ratings per	IEC/EN 60664-1		
Overvoltage category	III	III	II
Pollution degree	3	2	2
Rated voltage	500 V	630 V	1000 V
Rated impulse voltage	6 kV	6 kV	6 kV
Rated current	12 A	12 A	12 A
Approbations per	UL 1059		
Use group	B	C	D
Rated voltage	300 V	-	300 V
Rated current	15 A	-	10 A
Approbations per	UL 1977		
Rated voltage	600 V		
Rated current	10 A		
Approbations per	CSA		
Use group	B	C	D
Rated voltage	300 V	-	300 V
Rated current	15 A	-	10 A

Material Data

Material group	I
Insulation material	Polyamide (PA66)
Flammability class per UL94	V0
Contact material	Electrolytic copper (E _{cu})
Contact plating	Tin-plated

Mechanical Data

Solder pin arrangement	Over the entire male connector (in-line)
Solder pin dimensions	1 x 1 mm
Drilled hole diameter with tolerance	1.4 ^(+0.1) mm

Environmental Requirements

Limit temperature range	-60 ... +100 °C
-------------------------	-----------------

The MCS – MULTI CONNECTION SYSTEM includes connectors without breaking capacity in accordance with DIN EN 61984. When used as intended, these connectors must not be connected/disconnected when live or under load. The circuit design should ensure header pins, which can be touched, are not live when unmated.

Coding Page 540

See technical section for further information

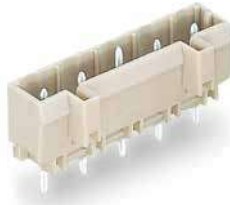
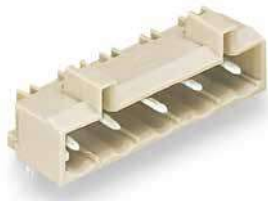
For approvals and corresponding ratings, visit www.wago.com

THT male header ▶ MCS MIDI ▶ 721 Series

Pin spacing: 7.5 mm / 0.295 inch ▶ Solder pin dimensions: 1 x 1 mm ▶ Color: light gray

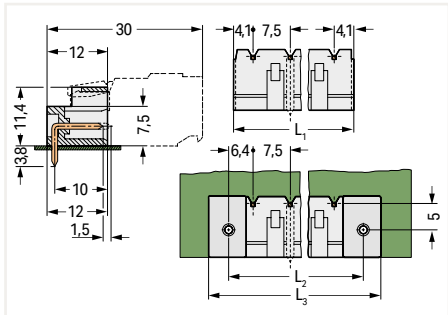
Mating direction to the PCB: 0° ▶ Solder pin length: 3.8 mm

Mating direction to the PCB: 90° ▶ Solder pin length: 5 mm

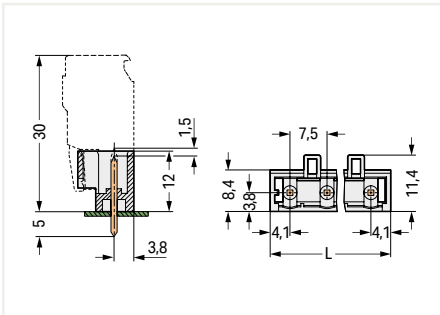


Pole No.	Item No.	PU
2	721-832/001-000	200
3	721-833/001-000	200
4	721-834/001-000	100
5	721-835/001-000	100
6	721-836/001-000	100
7	721-837/001-000	50
8	721-838/001-000	50
9	721-839/001-000	50
10	721-840/001-000	50
11	721-841/001-000	50
12	721-842/001-000	50

Pole No.	Item No.	PU
2	721-232/001-000	200
3	721-233/001-000	200
4	721-234/001-000	100
5	721-235/001-000	100
6	721-236/001-000	100
7	721-237/001-000	50
8	721-238/001-000	50
9	721-239/001-000	50
10	721-240/001-000	50
11	721-241/001-000	50
12	721-242/001-000	50



$L_1 = (\text{pole no.} - 1) \times \text{pin spacing} + 8.2 \text{ mm}$
 $L_2 = L_1 + 5 \text{ mm}$
 $L_3 = L_2 + 7.4 \text{ mm}$



$L = (\text{pole no.} - 1) \times \text{pin spacing} + 8.2 \text{ mm}$

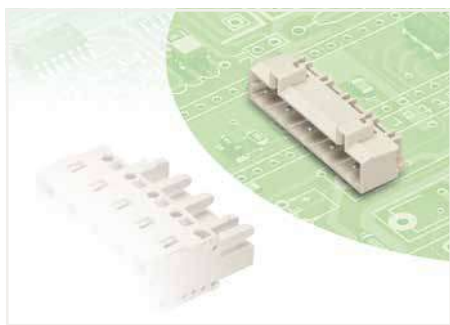
PU = Packaging Unit; SPU = Subpackaging Unit; Dimensions in mm

Other versions (or variants) can be requested from WAGO Sales or configured at <https://configurator.wago.com/>.

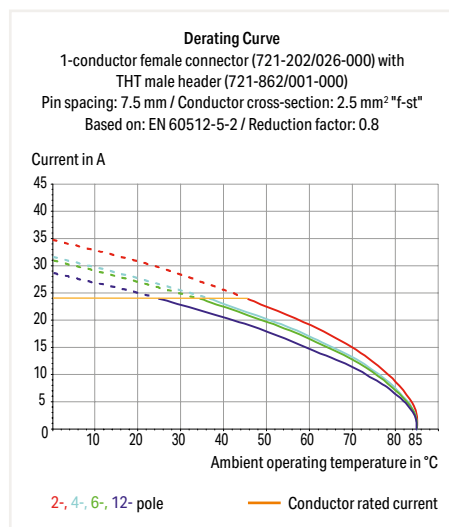
- Other pole numbers
- 3.8 mm pin projection for male headers with straight solder pins
- Gold-plated or partially gold-plated contact surfaces

THT male header ▶ MCS MIDI ▶ 721 Series

Pin spacing: 7.5 mm / 0.295 inch ▶ Solder pin dimensions: 1.2 x 1.2 mm ▶ Color: light gray



- Horizontal or vertical PCB mounting via straight or angled solder pins
- 1.2 x 1.2 mm solder pins allow nominal current up to 16 A, enhancing stability of shorter headers
- 100 % protected against mismatching
- With coding fingers

**Electrical Data**

Ratings per	IEC/EN 60664-1		
Overvoltage category	III	III	II
Pollution degree	3	2	2
Rated voltage	500 V	630 V	1000 V
Rated impulse voltage	6 kV	6 kV	6 kV
Rated current	16 A	16 A	16 A
Approbations per	UL 1059		
Use group	B	C	D
Rated voltage	300 V	-	300 V
Rated current	15 A	-	10 A
Approbations per	UL 1977		
Rated voltage	600 V		
Rated current	15 A		
Approbations per	CSA		
Use group	B	C	D
Rated voltage	300 V	-	300 V
Rated current	15 A	-	10 A

Material Data

Material group	I
Insulation material	Polyamide (PA66)
Flammability class per UL94	V0
Contact material	Electrolytic copper (E _{cu})
Contact plating	Tin-plated

Mechanical Data

Solder pin arrangement	Over the entire male connector (in-line)
Solder pin dimensions	1.2 x 1.2 mm
Drilled hole diameter with tolerance	1.7 ^(+0.1) mm

Environmental Requirements

Limit temperature range	-60 ... +100 °C
-------------------------	-----------------

The MCS – MULTI CONNECTION SYSTEM includes connectors without breaking capacity in accordance with DIN EN 61984. When used as intended, these connectors must not be connected/disconnected when live or under load. The circuit design should ensure header pins, which can be touched, are not live when unmated.

Coding Page 540

See technical section for further information

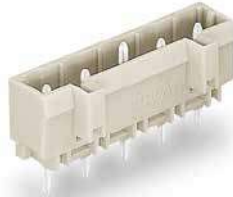
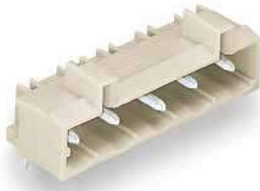
For approvals and corresponding ratings, visit www.wago.com

THT male header ▶ MCS MIDI ▶ 721 Series

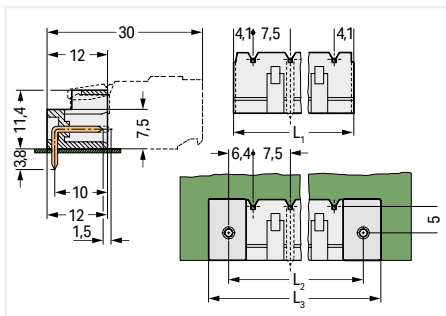
Pin spacing: 7.5 mm / 0.295 inch ▶ Solder pin dimensions: 1.2 x 1.2 mm ▶ Color: light gray

Mating direction to the PCB: 0° ▶ Solder pin length: 3.8 mm

Mating direction to the PCB: 90° ▶ Solder pin length: 5 mm



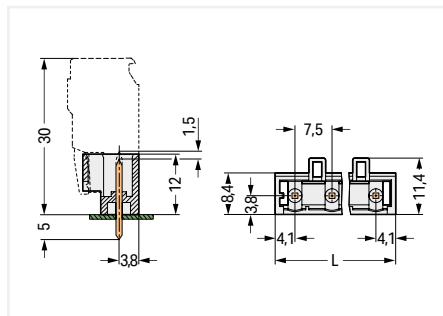
Pole No.	Item No.	PU	Pole No.	Item No.	PU
2	721-862/001-000	200	2	721-262/001-000	100
3	721-863/001-000	200	3	721-263/001-000	200
4	721-864/001-000	100	4	721-264/001-000	100
5	721-865/001-000	100	5	721-265/001-000	100
6	721-866/001-000	100	6	721-266/001-000	100
7	721-867/001-000	50	7	721-267/001-000	50
8	721-868/001-000	50	8	721-268/001-000	50
9	721-869/001-000	50	9	721-269/001-000	50
10	721-870/001-000	50	10	721-270/001-000	50
11	721-871/001-000	50	11	721-271/001-000	50
12	721-872/001-000	50	12	721-272/001-000	50



$$L_1 = (\text{pole no.} - 1) \times \text{pin spacing} + 8.2 \text{ mm}$$

$$L_2 = L_1 + 5 \text{ mm}$$

$$L_3 = L_2 + 7.4 \text{ mm}$$



$$L = (\text{pole no.} - 1) \times \text{pin spacing} + 8.2 \text{ mm}$$

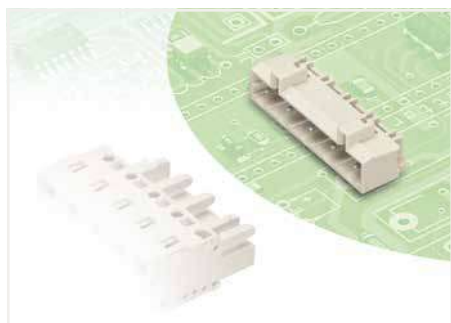
PU = Packaging Unit; SPU = Subpackaging Unit; Dimensions in mm

Other versions (or variants) can be requested from WAGO Sales or configured at <https://configurator.wago.com/>.

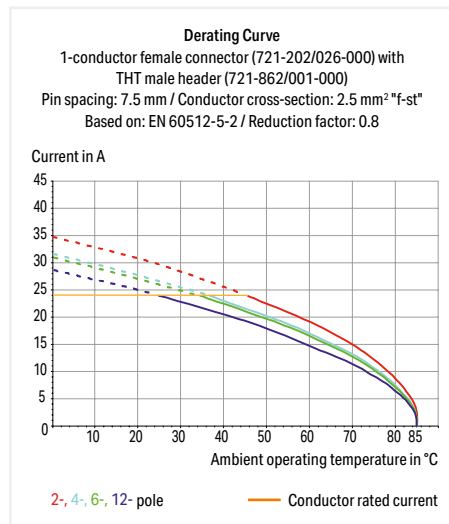
- Other pole numbers
- 3.8 mm pin projection for male headers with straight solder pins
- Gold-plated or partially gold-plated contact surfaces

THT male header ▶ MCS MIDI ▶ 721 Series

Pin spacing: 7.5 mm / 0.295 inch ▶ with preceding ground contact ▶ Solder pin dimensions: 1 x 1 mm
1 mm ▶ Color: light gray



- Horizontal or vertical PCB mounting via straight or angled solder pins
- Pin cross-section: 1 x 1 mm
- 100 % protected against mismatching
- With coding fingers

**Electrical Data**

Ratings per	IEC/EN 60664-1		
Overvoltage category	III	III	II
Pollution degree	3	2	2
Rated voltage	500 V	630 V	1000 V
Rated impulse voltage	6 kV	6 kV	6 kV
Rated current	12 A	12 A	12 A
Approbations per	UL 1059		
Use group	B	C	D
Rated voltage	300 V	-	300 V
Rated current	15 A	-	10 A
Approbations per	UL 1977		
Rated voltage	600 V		
Rated current	10 A		
Approbations per	CSA		
Use group	B	C	D
Rated voltage	300 V	-	300 V
Rated current	15 A	-	10 A

Material Data

Material group	I
Insulation material	Polyamide (PA66)
Flammability class per UL94	V0
Contact material	Electrolytic copper (E _{cu})
Contact plating	Tin-plated

Mechanical Data

Solder pin arrangement	Over the entire male connector (in-line)
Solder pin dimensions	1 x 1 mm
Drilled hole diameter with tolerance	1.4 ^(+0.1) mm

Environmental Requirements

Limit temperature range	-60 ... +100 °C
-------------------------	-----------------

The MCS – MULTI CONNECTION SYSTEM includes connectors without breaking capacity in accordance with DIN EN 61984. When used as intended, these connectors must not be connected/disconnected when live or under load. The circuit design should ensure header pins, which can be touched, are not live when unmated.

Coding Page 540

See technical section for further information

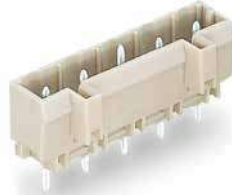
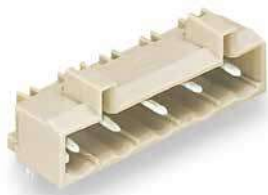
For approvals and corresponding ratings, visit www.wago.com

THT male header ▶ MCS MIDI ▶ 721 Series

Pin spacing: 7.5 mm / 0.295 inch ▶ with preceding ground contact ▶ Solder pin dimensions: 1 x 1 mm ▶ Color: light gray

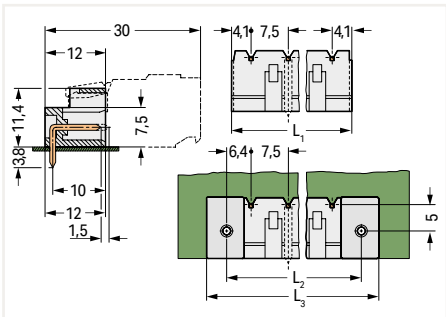
Mating direction to the PCB: 0° ▶ Solder pin length: 3.8 mm

Mating direction to the PCB: 90° ▶ Solder pin length: 5 mm

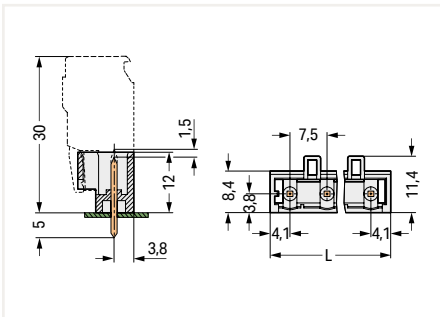


Pole No.	Item No.	PU
3	721-833/001-040	200
4	721-834/001-040	100
5	721-835/001-040	100

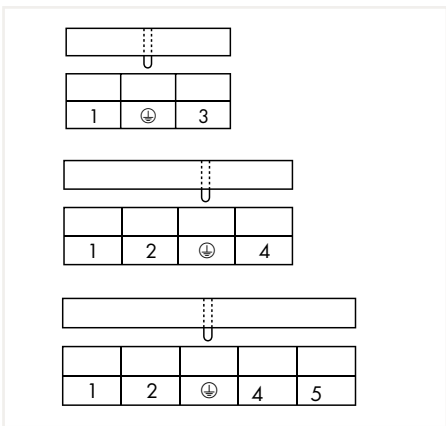
Pole No.	Item No.	PU
3	721-233/001-040	200
4	721-234/001-040	100
5	721-235/001-040	100



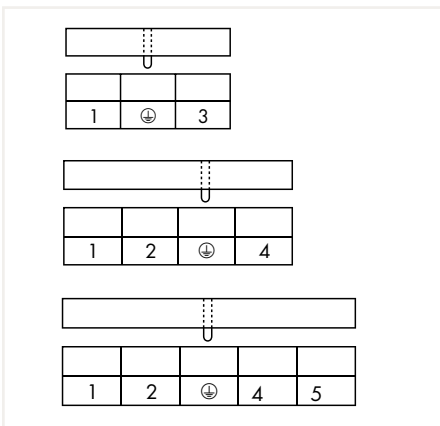
$L_1 = (\text{pole no.} - 1) \times \text{pin spacing} + 8.2 \text{ mm}$
 $L_2 = L_1 + 5 \text{ mm}$
 $L_3 = L_2 + 7.4 \text{ mm}$



$L = (\text{pole no.} - 1) \times \text{pin spacing} + 8.2 \text{ mm}$



Preceding ground contact position



Preceding ground contact position

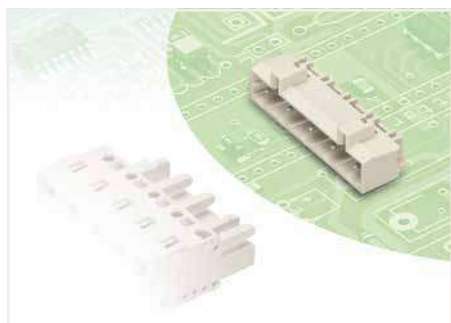
PU = Packaging Unit; SPU = Subpackaging Unit; Dimensions in mm

Other versions (or variants) can be requested from WAGO Sales or configured at <https://configurator.wago.com/>.

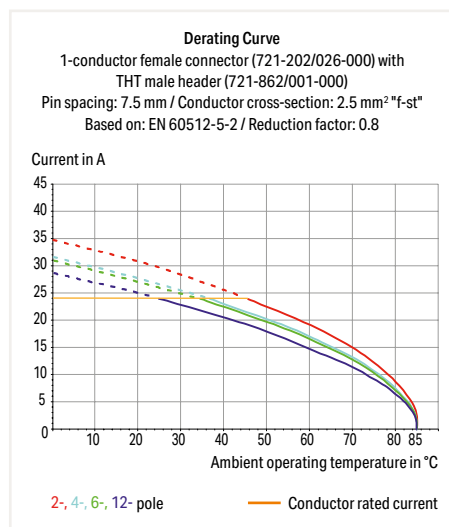
- Other pole numbers
- 3.8 mm pin projection for male headers with straight solder pins
- Gold-plated or partially gold-plated contact surfaces

THT male header ▶ MCS MIDI ▶ 721 Series

Pin spacing: 7.5 mm / 0.295 inch ▶ with preceding ground contact ▶ Solder pin dimensions: 1.2 x 1.2 mm ▶ Color: light gray



- Horizontal or vertical PCB mounting via straight or angled solder pins
- 1.2 x 1.2 mm solder pins allow nominal current up to 16 A, enhancing stability of shorter headers
- 100 % protected against mismatching
- With coding fingers

**Electrical Data**

Ratings per	IEC/EN 60664-1		
Overvoltage category	III	III	II
Pollution degree	3	2	2
Rated voltage	500 V	630 V	1000 V
Rated impulse voltage	6 kV	6 kV	6 kV
Rated current	16 A	16 A	16 A
Approbations per	UL 1059		
Use group	B	C	D
Rated voltage	300 V	-	300 V
Rated current	15 A	-	10 A
Approbations per	UL 1977		
Rated voltage	600 V		
Rated current	15 A		
Approbations per	CSA		
Use group	B	C	D
Rated voltage	300 V	-	300 V
Rated current	15 A	-	10 A

Material Data

Material group	I
Insulation material	Polyamide (PA66)
Flammability class per UL94	V0
Contact material	Electrolytic copper (E _{cu})
Contact plating	Tin-plated

Mechanical Data

Solder pin arrangement	Over the entire male connector (in-line)
Solder pin dimensions	1.2 x 1.2 mm
Drilled hole diameter with tolerance	1.7 ^(+0.1) mm

Environmental Requirements

Limit temperature range	-60 ... +100 °C
-------------------------	-----------------

The MCS – MULTI CONNECTION SYSTEM includes connectors without breaking capacity in accordance with DIN EN 61984. When used as intended, these connectors must not be connected/disconnected when live or under load. The circuit design should ensure header pins, which can be touched, are not live when unmated.

Coding Page 540

See technical section for further information

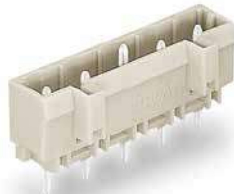
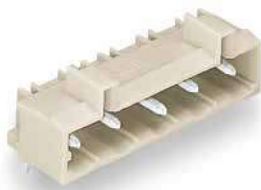
For approvals and corresponding ratings, visit www.wago.com

THT male header ▶ MCS MIDI ▶ 721 Series

Pin spacing: 7.5 mm / 0.295 inch ▶ with preceding ground contact ▶ Solder pin dimensions: 1.2 x 1.2 mm ▶ Color: light gray

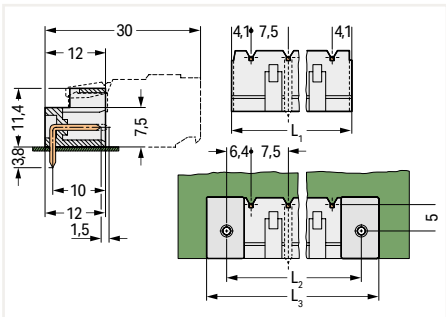
Mating direction to the PCB: 0° ▶ Solder pin length: 3.8 mm

Mating direction to the PCB: 90° ▶ Solder pin length: 5 mm

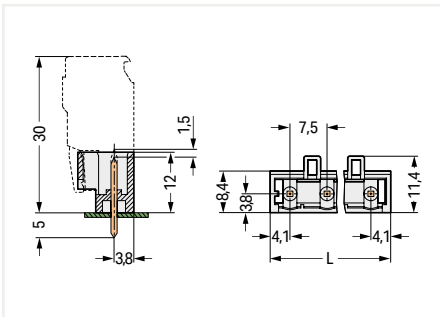


Pole No.	Item No.	PU
3	721-863/001-040	200
4	721-864/001-040	100
5	721-865/001-040	100

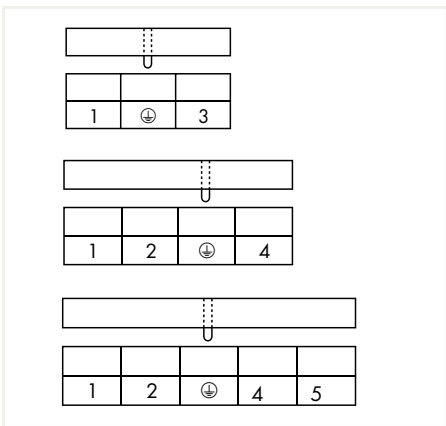
Pole No.	Item No.	PU
3	721-263/001-040	200
4	721-264/001-040	100
5	721-265/001-040	100



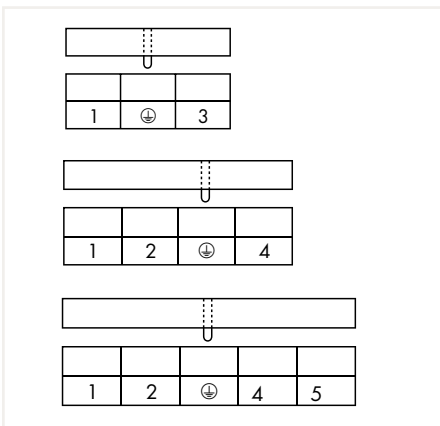
$L_1 = (\text{pole no.} - 1) \times \text{pin spacing} + 8.2 \text{ mm}$
 $L_2 = L_1 + 5 \text{ mm}$
 $L_3 = L_2 + 7.4 \text{ mm}$



$L = (\text{pole no.} - 1) \times \text{pin spacing} + 8.2 \text{ mm}$



Preceding ground contact position



Preceding ground contact position

PU = Packaging Unit; SPU = Subpackaging Unit; Dimensions in mm

Other versions (or variants) can be requested from WAGO Sales or configured at <https://configurator.wago.com/>.

- Other pole numbers
- 3.8 mm pin projection for male headers with straight solder pins
- Gold-plated or partially gold-plated contact surfaces

Operating Tools MCS MIDI



Operating lever; for male and female connectors equipped with CAGE CLAMP® connection; 5/5.08 mm and 7.5/7.62 mm pin spacing

Color	Item No.	PU (SPU)
○ natural	231-131	100 (25)
● red	231-291	100 (25)

Operating tool; for male and female connectors equipped with CAGE CLAMP® connection; 5/5.08 mm and 7.5/7.62 mm pin spacing

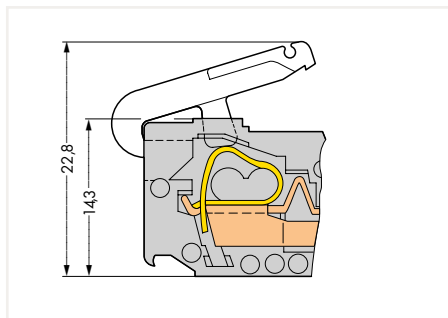
Color	Item No.	PU (SPU)
○ natural	231-159	100 (25)
● red	231-231	100 (25)



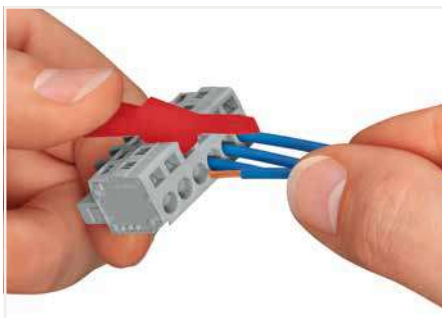
Inserting a conductor via operating lever.



Conductor termination parallel to CAGE CLAMP® actuation



Operating levers are not suitable for panel-mount, angled female connectors.



Conductor termination perpendicular to CAGE CLAMP® actuation

8

Operating Tools and Test Plug Adapters

MCS MIDI



Multipole operating tool; insulated; operation parallel to conductor entry; suitable for male and female connectors; with CAGE CLAMP®, 5/5.08 mm pin spacing

	Item No.	PU (SPU)
1-pole	209-130	100 (1)
2-pole	280-432	100 (1)
3-pole	280-433	100 (1)
4-pole	280-434	40 (1)
5-pole	280-435	40 (1)
6-pole	280-436	40 (1)
7-pole	280-437	30 (1)
8-pole	280-438	30 (1)
9-pole	280-439	30 (1)
10-pole	280-440	30 (1)

Operating tool; insulated; operation perpendicular to conductor entry; suitable for male and female connectors; with CAGE CLAMP®, 5/5.08 mm pin spacing

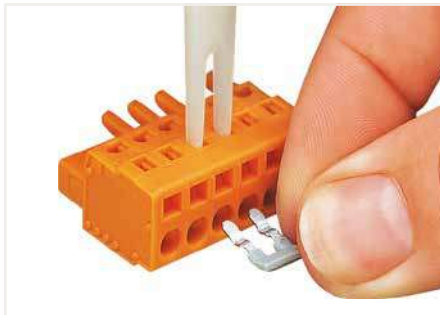
	Item No.	PU (SPU)
2-pole	209-132	40 (1)

Test plug adapter; for female connectors; light gray

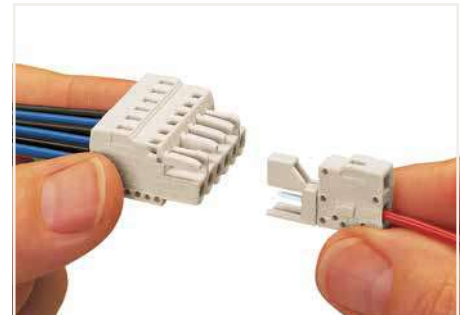
Pin Spacing	Item No.	PU
5/5.08 mm	231-661	100
7.5/7.62 mm	231-662	100



Inserting male or female connectors with long contact pins into 280 Series Rail-Mount Terminal Blocks via multipole operating tool (max. 10-pole for field assembly). Using CAGE CLAMP®-equipped male and female connectors (5/5.08 mm pin spacing), this operating tool allows up to ten CAGE CLAMP® units to be opened simultaneously, e.g., when inserting 231-90x Comb-Style Jumper Bars. Wiring male or female connectors should be performed in a suitable mount.



Operating tool for 231-902 Comb-Style Jumper Bars



Test plug adapter with CAGE CLAMP® connection

Electrical Data

Ratings per	IEC/EN 60664-1
Overtoltage category	III
Pollution degree	2
Rated voltage	320 V
Rated surge voltage	4 kV
Rated current	12 A

Connection Data

Connection technology	CAGE CLAMP®
Strip length	8 ... 9 mm / 0.33 inch
Solid conductor	0.08 ... 2.5 mm ² / 28 ... 12 AWG
Fine-stranded conductor	0.08 ... 2.5 mm ² / 28 ... 12 AWG

PU = Packaging Unit; SPU = Subpackaging Unit; Dimensions in mm

Coding Keys MCS MIDI



Coding key; for male headers

Color	Item No.	PU (SPU)
○ light gray	231-500	200 (100)

Coding key; for male headers; 5/5.08 mm pin spacing

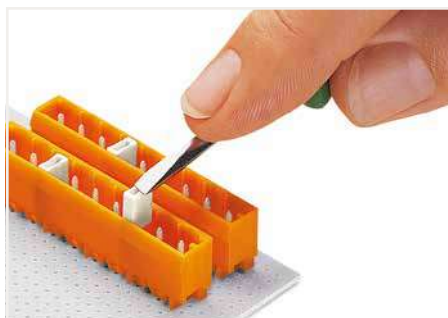
Color	Item No.	PU
○ light gray	231-129	100

Coding pin; for male headers for double-deck assembly; snaps into lower level

Color	Item No.	PU
○ light gray	231-160	100

Coding key; for male headers; 7.5/7.62 mm pin spacing

Color	Item No.	PU
○ light gray	231-130	100



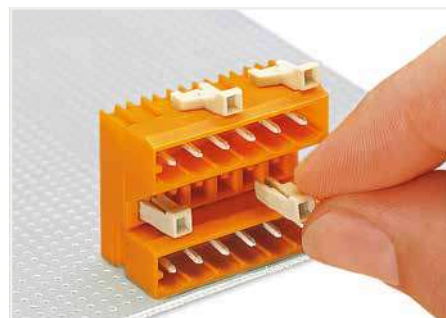
Inserting separators for group formation directly into MCS MIDI Classic Male Headers.

Group formation using separators means that pole count is reduced by at least one pole. Female connectors with integrated end plates and 5/5.08 mm pin spacing are available for group formation without loss of poles. Group formation without loss of poles is possible using standard female connectors (7.5/7.62 mm pin spacing) without separators.



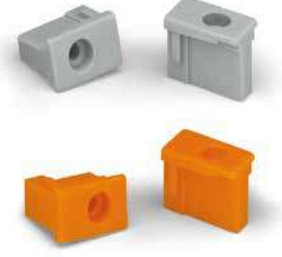
Snap-on coding key for male headers with solder pins and CAGE CLAMP®-equipped male connectors.

The last pole of male and female connectors with 7.5 mm pin spacing has a width of 5 mm; for 7.62 mm pin spacing, the pole width is 5.08 mm. Always use a 231-129 Coding Key for coding this pole.



Coding a THT double-deck male header – lower level.

Lockout Caps, Insulation Stops and Locking Devices MCS MIDI



Lockout caps; for male and female connectors equipped with CAGE CLAMP® connection

Color	Item No.	PU (SPU)
○ gray	231-668	500 (100)
● orange	231-669	500 (100)

Insulation stop; for male and female connectors equipped with CAGE CLAMP® or Push-in CAGE CLAMP® connection; with CAGE CLAMP®; 5/5.08 mm pin spacing

Color	Conductor Size	Item No.	PU
white	0.08 ... 0.2 mm ² „e“	231-670	200
	0.08 ... 0.14 mm ² „f“		
light gray	0.25 ... 0.5 mm ²	231-671	200
dark gray	0.27 ... 1 mm ²	231-672	200

Locking devices; for angled THT male headers with solder pins

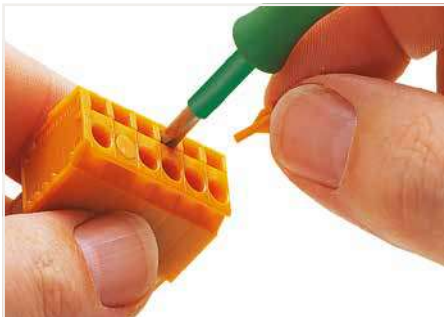
Color	Item No.	PU
○ gray	231-193	100
● orange	231-393	100

7.5/7.62 mm pin spacing

Color	Conductor Size	Item No.	PU
white	0.08 ... 0.2 mm ² „e“	231-673	200
	0.08 ... 0.14 mm ² „f“		
light gray	0.25 ... 0.5 mm ²	231-674	200
dark gray	0.27 ... 1 mm ²	231-675	200

Screws for locking devices

Type	Item No.	PU
Screw with nut		
M2 x 12 mm	231-195	100
Self-tapping screw; 1.8 mm Ø mounting hole		
B 2.2 x 13 mm	231-194	100



Sealing unnecessary clamping points in CAGE CLAMP®-equipped male and female connectors (e.g., when doubling the pin spacing to meet clearance and creepage distance requirements, or when higher rated voltage is required). Lockout pins are not suitable for panel-mount, angled female connectors.



The wiring of programmable logic controllers and micro-processor-operated control circuits often relies on very small, fine-stranded conductors. These conductors are highly flexible and deform when pushed against the conductor stop in terminal blocks. As a result, the conductor insulation – not the copper conductor – may be clamped, causing intermittent contact or no contact at all. Common to all terminal block types currently offered, this problem creates unnecessary downtime for troubleshooting.

Insulation stops for connectors reliably ensure proper termination. Insulation stops automatically bundle the cores of fine-stranded conductors when inserted into the clamping unit, preventing splaying. This also limits the conductor entry to a defined cross sectional area – ensuring the actual conductor, not the insulation, will enter the clamping unit

Insulation stops are available as dividable 5-pole strips for MCS MIDI Male and Female Connectors. Insulation stop usage will not affect the conductor strip lengths for the aforementioned connectors.

Insulation stops are not suitable for panel-mount female connectors.



Locking devices enhance connection reliability between male headers with angled solder pins and the PCB. This substantially reduces mechanical stress on both solder pins and joints, particularly when dealing with small lengths and frequent mating cycles.

Strain Relief Plate; Factory Assembled; for Male and Female Connectors with CAGE CLAMP® Connection MCS MIDI

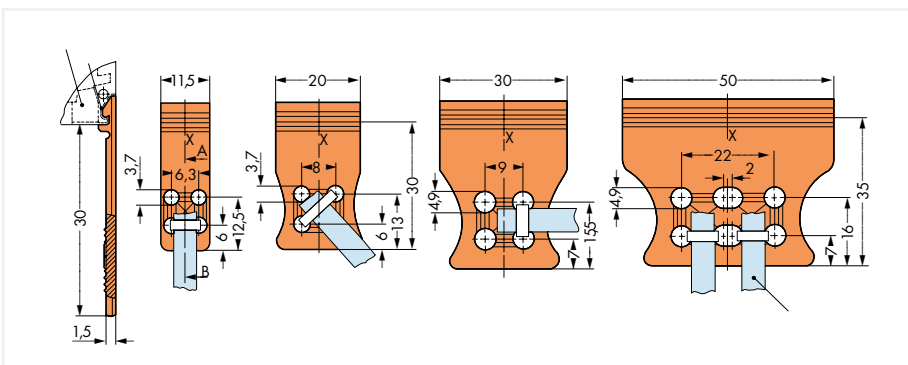


5/5.08 mm pin spacing; orange

Pole No.	Width	Item No. Suffix *
2 ... 3	11.5 mm	.../032-000
4 ... 5	20 mm	.../033-000
6 ... 9	30 mm	.../034-000
10 ... 24	50 mm	.../035-000

7.5/7.62 mm pin spacing; gray

Pole No.	Width	Item No. Suffix *
2 ... 3	11.5 mm	.../032-000
4 ... 5	20 mm	.../033-000
6 ... 9	30 mm	.../034-000
10 ... 24	50 mm	.../035-000

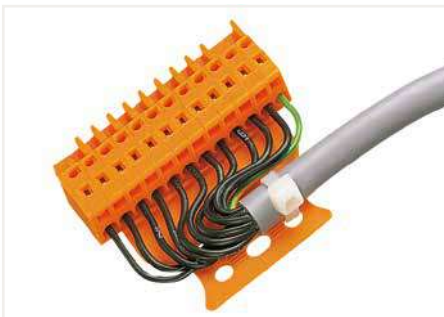


Both CAGE CLAMP®-equipped male and female connectors can be fitted with a strain relief plate. The strain relief plates must be pre-assembled (glued) prior to delivery for connector models equipped with CAGE CLAMP® connection. These strain relief plates are available in four different widths and are allocated to the specific pin spacing and pole number (as shown above). Angled female connectors for panel mounting cannot be fitted with strain relief plates.

*An "item no. suffix," referring to the width of the strain relief plate, is added to the "basic item no." and determines the type of male or female connector.

Cable ties and binding tools are not offered by WAGO.

The width of the cable ties must correspond to the hole dimensions of the strain relief plates shown above.



Ordering example:
1-conductor female connector;
with strain relief plate;
5.08 mm pin spacing; 12-pole; orange:
231-312/026-000/035-000



Ordering example:
1-conductor female connector;
with strain relief plate;
5 mm pin spacing; 3-pole; gray:
231-103/026-000/032-000



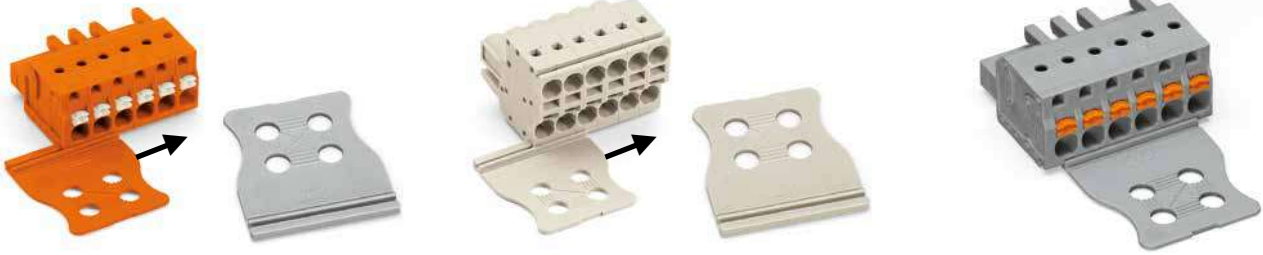
Gray strain relief plates are used for light gray 721, 722 and 723 Series Male and Female Connectors equipped with CAGE CLAMP® connection.

Strain Relief Plate; for Male and Female Connectors with Push-in CAGE CLAMP® Connection; 2721, 2231 Series and 2-Conductor Female Connectors 231, 721 Series MCS MIDI

for inserting; 5/5.08 mm pin spacing

for inserting; 7.5/7.62 mm pin spacing

factory-assembled



light gray			
Pole No.	Width	Item No.	PU (SPU)
2	6 mm	734-127	100 (25)
3 ... 4	12.5 mm	734-128	100 (25)
5 ... 7	25 mm	734-129	100 (25)
8 ... 11	35 mm	734-126	100 (25)
12 ... 16	55 mm	734-426	50 (25)
17 ... 24	75 mm	734-427	50 (25)

light gray			
Pole No.	Width	Item No.	PU (SPU)
2	6 mm	734-127	100 (25)
2 ... 3	12.5 mm	734-128	100 (25)
4 ... 6	25 mm	734-129	100 (25)
7 ... 9	35 mm	734-126	100 (25)
10 ... 12	55 mm	734-426	50 (25)
13 ... 16	75 mm	734-427	50 (25)

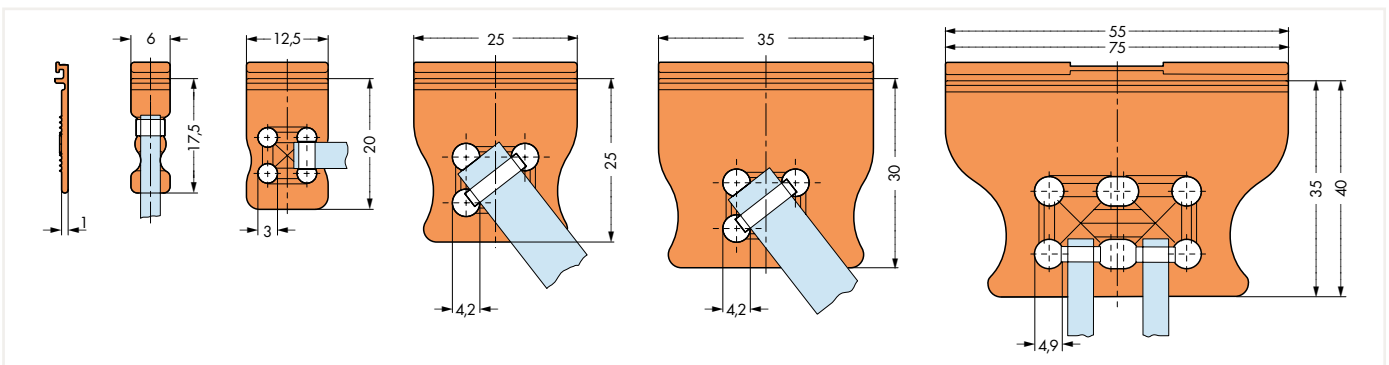
5/5.08 mm and 7.5/7.62 mm pin spacing		
Pole No.	Width	Item No. Suffix *
2	6 mm	.../132-000
2 ... 3	12.5 mm	.../133-000
4 ... 6	25 mm	.../134-000
7 ... 9	35 mm	.../135-000
10 ... 12	55 mm	.../136-000
13 ... 16	75 mm	.../137-000

gray			
Pole No.	Width	Item No.	PU (SPU)
2	6 mm	734-327	100 (25)
3 ... 4	12.5 mm	734-328	100 (25)
5 ... 7	25 mm	734-329	100 (25)
8 ... 11	35 mm	734-326	100 (25)
12 ... 16	55 mm	734-430	50 (25)
17 ... 24	75 mm	734-431	50 (25)

gray			
Pole No.	Width	Item No.	PU (SPU)
2	6 mm	734-327	100 (25)
2 ... 3	12.5 mm	734-328	100 (25)
4 ... 6	25 mm	734-329	100 (25)
7 ... 9	35 mm	734-326	100 (25)
10 ... 12	55 mm	734-430	50 (25)
13 ... 16	75 mm	734-431	50 (25)

orange			
Pole No.	Width	Item No.	PU (SPU)
2	6 mm	734-227	100 (25)
3 ... 4	12.5 mm	734-228	100 (25)
5 ... 7	25 mm	734-229	100 (25)
8 ... 11	35 mm	734-226	100 (25)
12 ... 16	55 mm	734-428	50 (25)
17 ... 24	75 mm	734-429	50 (25)

orange			
Pole No.	Width	Item No.	PU (SPU)
2	6 mm	734-227	100 (25)
2 ... 3	12.5 mm	734-228	100 (25)
4 ... 6	25 mm	734-229	100 (25)
7 ... 9	35 mm	734-226	100 (25)
10 ... 12	55 mm	734-428	50 (25)
13 ... 16	75 mm	734-429	50 (25)



Female connectors with Push-in CAGE CLAMP® can be retrofitted with a strain relief plate or pre-assembled with one at the factory. These strain relief plates are available in six different widths and are allocated to the specific pin spacing and pole number (as shown left). The arrangement of the attachments for cable ties allows single conductors or multi-core cables to be secured in different ways.

*An "item no. suffix," referring to the width of the strain relief plate, is added to the "basic item no." and determines the type of male or female connector.

Cable ties and binding tools are not offered by WAGO. The width of the cable ties must correspond to the hole dimensions of the strain relief plates shown above.

PU = Packaging Unit; SPU = Subpackaging Unit; Dimensions in mm

Snap-On Type Strain Relief Housing; Consisting of Strain Relief Support and Housing MCS MIDI



5 mm pin spacing; gray		
Pole No.	Item No.	PU
2	232-602	25
3	232-603	25
4	232-604	25
5	232-605	25
6	232-606	25
7	232-607	25
8	232-608	25
9	232-609	25
10	232-610	25
12	232-612	25

5.08 mm pin spacing; orange		
Pole No.	Item No.	PU
2	232-632	25
3	232-633	25
4	232-634	25
5	232-635	25
6	232-636	25
7	232-637	25
8	232-638	25
9	232-639	25
10	232-640	25
12	232-642	25
16	232-646	25

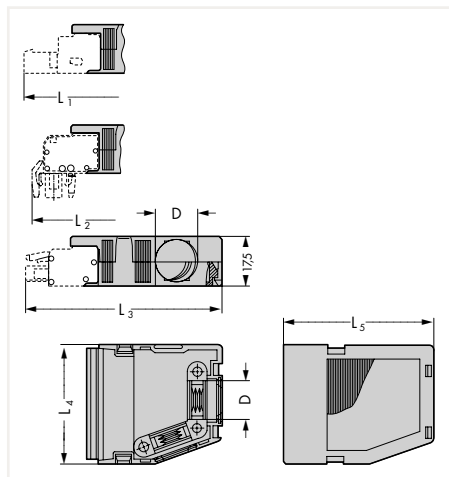
Cable clamp; for strain relief		
Pole No.	Item No.	PU
4 ... 6	209-177	25
7 ... 16	209-174	25



Mounting screws; for cable clamp		
Pole No.	Item No.	PU
4 ... 6	209-176	50
7 ... 16	209-173	50

- 2- to 3-pole; only suitable for cable ties; 1 cable outlet (rear side); max. 3.6 mm cable tie width
- 4- to 6-pole; suitable for cable clamp; 1 x cable outlet (rear side)
- 7- to 8-pole; suitable for cable clamp; 1 x cable outlet (rear side) and 1 x cable outlet (side); 1 cover (included)
- 9- to 16-pole; suitable for cable clamp; 1 x cable outlet (rear side) and 2 x cable outlets (side); 2 covers (included)

Cable ties and binding tools are not offered by WAGO.



Strain relief housing dimensions (in mm):							
Pole No.	L ₄ (5 mm)	L ₄ (5,08 mm)	L ₁	L ₂	L ₃	L ₅	Cable Ø (max.)
2	13	13	59	55.5	58	41.5	6
3	18	18	59	55.5	58	41.5	7.5
4	23	23	59	55.5	58	41.5	9.5
5	28	28	59	55.5	58	41.5	9.5
6	33	33	59	55.5	58	41.5	9.5
7	38	38	71.5	68	70.5	54	14
8	43	43	71.5	68	70.5	54	14
9	48	48.7	71.5	68	70.5	54	14
10	53	53.8	71.5	68	70.5	54	14
12	63	64	71.5	68	70.5	54	14
16	85	85	71.5	68	70.5	54	14



Snapping a cover into the unused cable outlet.



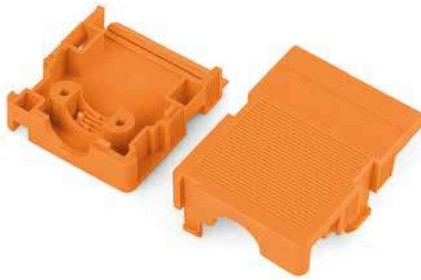
Snapping on a strain relief housing, demonstrated with a female connector with locking levers. Cable exits laterally – strain relief by cable tie (up to a width of 4 mm).



Disassembling a strain relief housing is only possible using an operating tool (e.g., 210-719).

PU = Packaging Unit; SPU = Subpackaging Unit; Dimensions in mm

Snap-On Type Strain Relief Housing; Consisting of Strain Relief Support and Housing MCS MIDI



7.5 mm pin spacing; light gray		
Pole No.	Item No.	PU
2	232-662	25
3	232-663	25
4	232-664	25
5	232-665	25
7	232-667	25
10	232-670	25

7.62 mm pin spacing; orange		
Pole No.	Item No.	PU
2	232-682	25
3	232-683	25
4	232-684	25
5	232-685	25
7	232-687	25

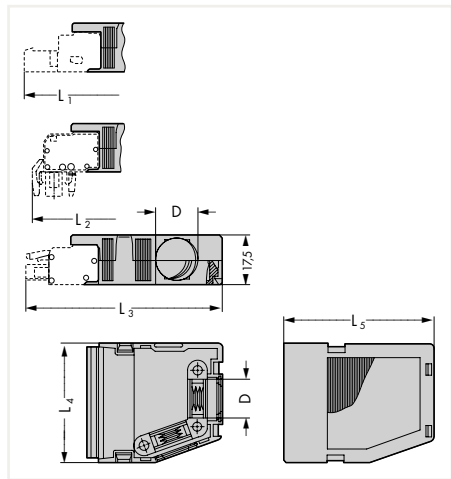
Cable clamp; for strain relief		
Pole No.	Item No.	PU
4 ... 6	209-177	25
7 ... 16	209-174	25



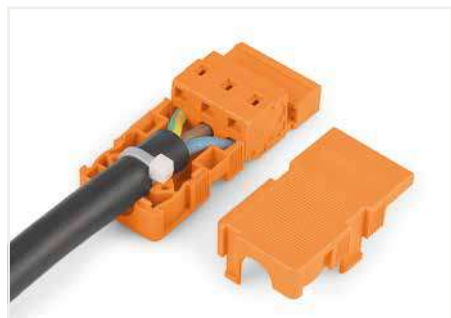
Mounting screws; for cable clamp		
Pole No.	Item No.	PU
4 ... 6	209-176	50
7 ... 16	209-173	50

- 2-pole; only suitable for cable ties; 1 cable outlet (rear side); max. cable tie width 3.6 mm;
- 3- to 4-pole; suitable for cable clamp; 1 x cable outlet (rear side);
- 5-pole; suitable for cable clamp; 1 x cable outlet (rear side) and 1 x cable outlets (side); 1 cover (included);
- 7-pole; suitable for cable clamp; 1 x cable outlet (rear side) and 2 x cable outlets (side); 2 covers (included)

Cable ties and binding tools are not offered by WAGO.



Strain relief housing dimensions (in mm):							
Pole No.	L ₄ (5 mm)	L ₄ (5,08 mm)	L ₁	L ₂	L ₃	L ₅	Cable Ø (max.)
2	15.5	15.5	59	55.5	58	41.5	6
3	23	23	59	55.5	58	41.5	9.5
4	30.5	30.5	59	55.5	58	41.5	9.5
5	38	38	71.5	68	70.5	54	14
7	53	53.8	71.5	68	70.5	54	14



3-pole female connector with strain relief housing



4-pole male connector with strain relief housing



Gray strain relief plates are used for light gray 721, 722 and 723 Series Male and Female Connectors equipped with CAGE CLAMP® connection.

PU = Packaging Unit; SPU = Subpackaging Unit; Dimensions in mm

Mounting Adapters MCS MIDI



Mounting adapter for DIN-35 rail, for male and female connectors with snap-in mounting feet

Color	Item No.	PU
○ gray	209-137	25

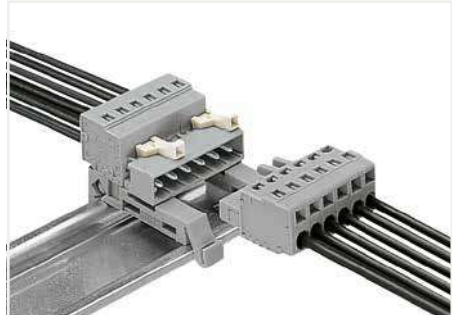
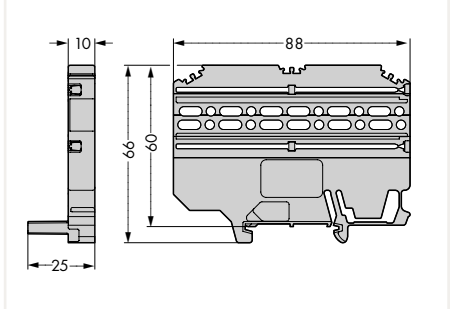
Multi mounting adapter, for DIN-35 rail, for male and female connectors with snap-in mounting feet

Color	Item No.	PU
○ gray	209-148	25

Mounting adapter, for DIN-35 rail, for angled female connectors with snap-in feet for panel mounting

Color	Item No.	PU (SPU)
○ gray	209-120	500(25)

Dimensions (in mm):



Female connector with snap-in mounting feet and 209-189 Mounting Adapter on DIN-35 rail



8



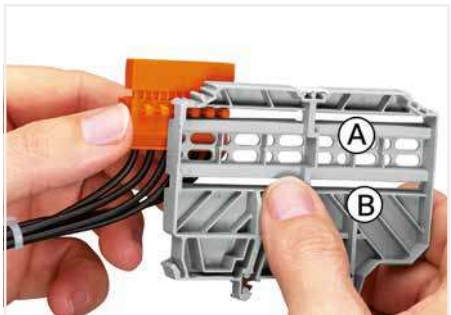
Multi mounting adapter (209-120) on DIN-35 rail and angled female connector with snap-in feet for panel mounting



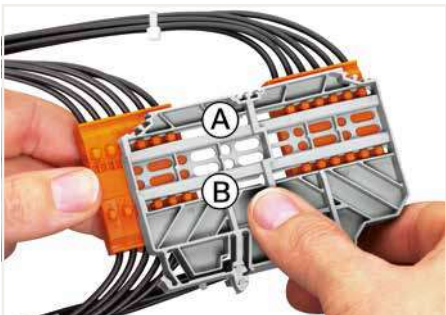
The pluggable male or female connector can also be fitted with a strain relief plate.



The adapter can be marked either with WSB, Mini-WSB or WMB markers.

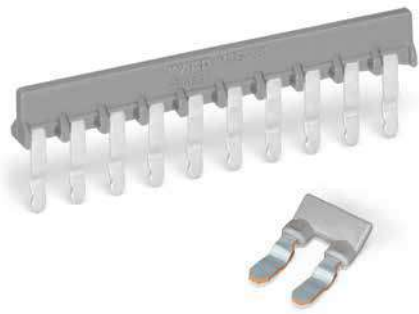


Both male and female connectors remain pluggable when they are mounted on the multi mounting adapter via its oblong holes or open grooves (A/B).



If a connector is pushed from the side into the open grooves (A/B) of the multi mounting adapter, the plug connection will be reliably protected from unintentional disconnection when mounted.

Comb-Style Jumper Bars MCS MIDI



Comb-style jumper bar, for male and female connectors with CAGE CLAMP®, with CAGE CLAMP®, 5/5.08 mm pin spacing

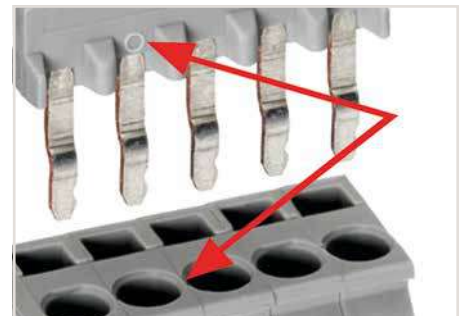
	Item No.	PU (SPU)
2-way	231-902	200 (25)
3-way	231-903	200 (25)
5-way	231-905	100 (25)
7-way	231-907	100 (25)
10-way	231-910	100 (25)

Notice:
Not suitable for female connectors equipped with Push-in CAGE CLAMP® connection and angled, panel-mount female connectors.

Comb-style jumper bar reduces maximum conductor cross-section to 1.5 mm².



Notice:
Insert jumper bar according to direction of symbols.
□ symbol correlates to the direction of the operating slot.



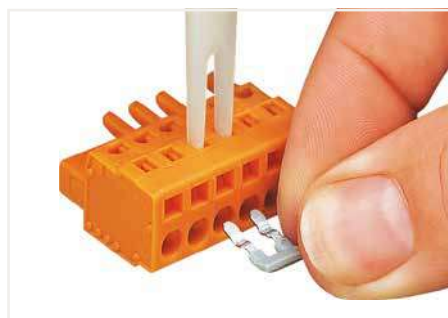
Notice:
Insert jumper bar according to direction of symbols.
○ symbol correlates to the direction of the conductor entry.



Custom comb-style jumper bars are created by breaking off jumper contacts (3 contacts and more).



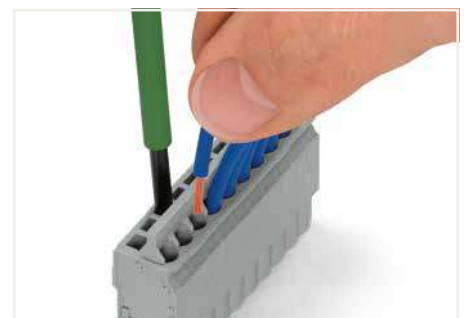
Inserting a comb-style jumper bar via multipole operating tool – with the female or male connector being supported in a suitable holding device.



Commoning a female connector with 231-902 Comb-Style Jumper Bar via 2-pole operating tool.



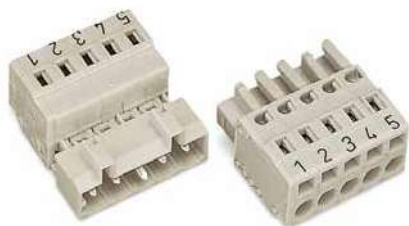
Both male and female connectors can be pre-assembled with comb-style jumper bars upon request.



Notice: Comb-style jumper bars reduce the conductor cross-section to 1.5 mm² "s" + "f-st."

Direct Marking

MCS MIDI and MCS MIDI Classic



The pole numbers of male and female connectors for CAGE CLAMP® termination can be marked via factory direct marking.

Two standard marking orientations are available:

1. Marking perpendicular to conductor entry
2. Marking parallel to conductor entry

Other custom marking options are available upon request.

Direct marking is not suitable for MCS PCB Male Headers. WAGO recommends pole marking on the PCB for these headers.

Female headers with solder pins are exposed to aggressive flux agents during wave soldering. Custom direct marking procedures are available upon request for these items.

The marking type is always defined by the second 4-digit block of the item no. suffix for items with standard colors and materials.

Example: 721-106/... - xxxx

xxxx = Item no. suffix for direct marking

Direct marking of 1-conductor female connectors; perpendicular to conductor entry; 1 ... pole no.; item no. suffix.: /... - 047

Version	Item No. Example
1-conductor female connector; 5 mm pin spacing; 6-pole; light gray	721-106/026-047
1-conductor female connector; with locking levers; 5 mm pin spacing; 6-pole; light gray	721-106/037-047
1-conductor female connector; with strain relief plate; 5 mm pin spacing; 6-pole; light gray	721-106/026-047/034-000
1-conductor female connector; with locking levers and strain relief plate; 5 mm pin spacing; 6-pole; light gray	721-106/026-047/034-000

Direct marking of 1-conductor male connectors; perpendicular to conductor entry; pole no. ... 1; item no. suffix.: /... - 044

Version	Item No. Example
1-conductor male connector; 6-pole; light gray	721-606/000-044
1-conductor male connector; with mounting flanges; 6-pole; light gray	721-606/019-044
1-conductor male connector; with mounting flanges and strain relief plate; 6-pole; light gray	721-606/019-044/034-000



Direct marking of 1-conductor female connectors; parallel to conductor entry; 1 ... pole no.; item no. suffix.: /... - 9037

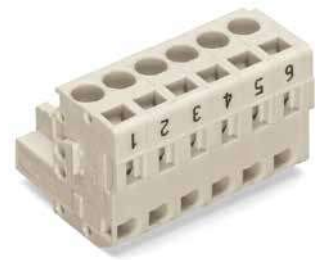
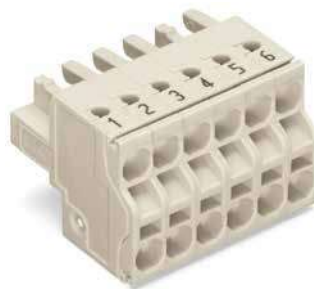
Version	Item No. Example
1-conductor female connector; 5 mm pin spacing; 6-pole; light gray	721-106/026-9037
1-conductor female connector; with locking levers; 5 mm pin spacing; 6-pole; light gray	721-106/037-9037
1-conductor female connector; with strain relief plate; 5 mm pin spacing; 6-pole; light gray	721-106/026-9037/034-000
1-conductor female connector; with locking levers and strain relief plate; 5 mm pin spacing; 6-pole; light gray	721-106/037-9037/034-000

Direct marking of 1-conductor male connectors; parallel to conductor entry; pole no. ... 1; item no. suffix.: /... - 9034

Version	Item No. Example
1-conductor male connector; 5 mm pin spacing; 6-pole; light gray	721-606/000-9034
1-conductor male connector; with mounting flanges; 5 mm pin spacing; 6-pole; light gray	721-606/019-9034
1-conductor male connector; with mounting flanges and strain relief plate; 5 mm pin spacing; 6-pole; light gray	721-606/019-9034/034-000

Direct Marking

MCS MIDI and MCS MIDI Classic



Direct marking of 1-conductor female connectors with push-buttons; perpendicular to conductor entry; 1 ... pole no.; item no. suffix.: /... - 047

Version	Item No. Example
1-conductor female connector; with push-buttons; 5 mm pin spacing; 6-pole; light gray	2721-106/026-047
1-conductor female connector; with locking levers; 5 mm pin spacing; 6-pole; light gray	2721-106/037-047
1-conductor female connector; with push-buttons and strain relief plate; 5 mm pin spacing; 6-pole; light gray	2721-106/026-047/134-000
1-conductor female connector; with push-buttons; locking levers and strain relief plate; 5 mm pin spacing; 6-pole; light gray	2721-106/037-047/134-000

Direct marking of 2-conductor female connectors; perpendicular to conductor entry; 1 ... pole no.; item no. suffix.: /... - 047

Version	Item No. Example
2-conductor female connector; 6-pole; light gray	721-2106/026-047
2-conductor female connector; with locking levers; 6-pole; light gray	721-2106/037-047
2-conductor female connector; with locking levers and strain relief plate; 6-pole; light gray	721-2106/026-047/134-000

Direct marking of 1-conductor angled female connectors; perpendicular to conductor entry; 1 ... pole no.; item no. suffix.: /... - 047

Version	Item No. Example
1-conductor angled female connector; 6-pole; light gray	722-206/026-047
1-conductor angled female connector; with strain relief plate; 6-pole; light gray	722-206/026-047/034-000



Direct marking of 1-conductor female connectors with push-buttons; parallel to conductor entry; 1 ... pole no.; item no. suffix.: /... - 9037

Version	Item No. Example
1-conductor female connector; with push-buttons; 5 mm pin spacing; 6-pole; light gray	2721-106/026-9037
1-conductor female connector; with push-buttons and locking levers; 5 mm pin spacing; 6-pole; light gray	2721-106/037-9037
1-conductor female connector; with push-buttons and strain relief plate; 5 mm pin spacing; 6-pole; light gray	2721-106/026-9037/134-000
1-conductor female connector; with push-buttons; locking levers and strain relief plate; 5 mm pin spacing; 6-pole; light gray	2721-106/037-9037/134-000

Direct marking of 2-conductor female connectors; parallel to conductor entry; 1 ... pole no.; item no. suffix.: /... - 9037

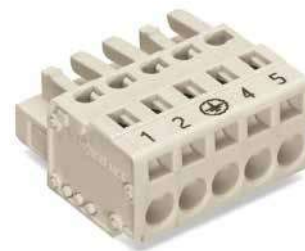
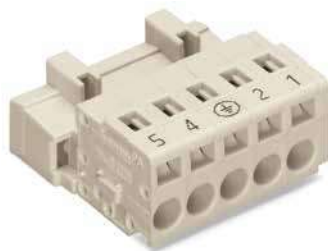
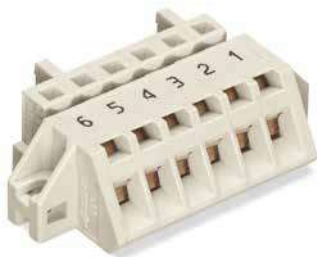
Version	Item No. Example
2-conductor female connector; 5 mm pin spacing; 6-pole; light gray	721-2106/026-9037
2-conductor female connector; with locking levers; 5 mm pin spacing; 6-pole; light gray	721-2106/037-9037
2-conductor female connector; with locking levers and strain relief plate; 5 mm pin spacing; 6-pole; light gray	721-2106/026-9037/134-000

Direct marking of 1-conductor angled female connectors; parallel to conductor entry; 1 ... pole no.; item no. suffix.: /... - 047

Version	Item No. Example
1-conductor angled female connector; 5 mm pin spacing; 6-pole; light gray	722-206/026-9037
1-conductor angled female connector; with strain relief plate; 5 mm pin spacing; 6-pole; light gray	722-206/026-9037/034-000

Direct Marking

MCS MIDI and MCS MIDI Classic



Direct marking of 2-conductor angled female connectors for panel mounting; perpendicular to conductor entry; 1 ... pole no.; item no. suffix.: /... - 047

Version	Item No. Example
1-conductor angled female connector; with flanges for panel mounting; 5 mm pin spacing; 6-pole; light gray	721-306/031-047
1-conductor angled female connector; for panel mounting; with snap-in mounting feet; 5 mm pin spacing; 6-pole; light gray	721-306/008-047

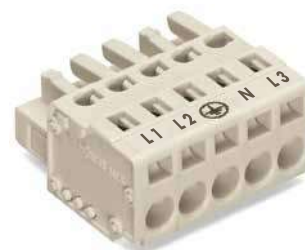
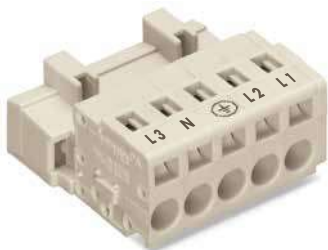
Direct marking of 3- to 5-pole; 1-conductor male connectors with preceding ground contact; perpendicular to conductor entry; pole assignment; item no. suffix.: /... - 042

Version	Item No. Example
1-conductor male connector; with preceding ground contact; 5 mm pin spacing; 5-pole; light gray	721-605/000-042
1-conductor male connectors in 3- to 5-pole versions (721 and 723 Series) are available with the following markings:	
3-pole: 3 - Ⓞ - 1	
4-pole: 4 - Ⓞ - 2 - 1	
5-pole: 5 - 4 - Ⓞ - 2 - 1	

Direct marking of 3- to 5-pole; 1-conductor female connectors for 1-conductor male connectors with preceding ground contact; perpendicular to conductor entry; pole assignment; item no. suffix.: /... - 045

Version	Item No. Example
1-conductor female connector; with preceding ground contact; 5 mm pin spacing; 5-pole; light gray	721-105/026-045
1-conductor female connectors in 3- to 5-pole versions (721, 2721, 722 and 723 Series) for 1-conductor male connectors with preceding ground contact are available with the following markings:	
3-pole: 1 - Ⓞ - 3	
4-pole: 1 - 2 - Ⓞ - 4	
5-pole: 1 - 2 - Ⓞ - 4 - 5	

8



Direct marking of 1-conductor angled female connectors for panel mounting; parallel to conductor entry; 1 ... pole no.; item no. suffix.: /... - 9037

Version	Item No. Example
1-conductor angled female connector; with flanges for panel mounting; 5 mm pin spacing; 6-pole; light gray	721-306/031-9037
1-conductor angled female connector; for panel mounting; with snap-in mounting feet; 5 mm pin spacing; 6-pole; light gray	721-306/008-9037

Direct marking of 3- to 5-pole; 1-conductor male connectors with preceding ground contact; perpendicular to conductor entry; pole assignment; item no. suffix.: /... - 041

Version	Item No. Example
1-conductor male connector; with preceding ground contact; 5 mm pin spacing; 5-pole; light gray	721-605/000-041
1-conductor male connectors in 3- to 5-pole versions (721 and 723 Series) are available with the following markings:	
3-pole: N - Ⓞ - L 1	
4-pole: L 2 - Ⓞ - N - L 1	
5-pole: L 3 - N - Ⓞ - L 2 - L 1	
Pole no. ... 1; item no. suffix.: /... - 043	

Direct marking of 3- to 5-pole; 1-conductor female connectors for 1-conductor male connectors with preceding ground contact; perpendicular to conductor entry; pole assignment; item no. suffix.: /... - 046

Version	Item No. Example
1-conductor female connector; with preceding ground contact; 5 mm pin spacing; 5-pole; light gray	721-105/026-046
1-conductor female connectors in 3- to 5-pole versions (721, 2721, 722 and 723 Series) for 1-conductor male connectors with preceding ground contact are available with the following markings:	
3-pole: L 1 - Ⓞ - N	
4-pole: L 1 - N - Ⓞ - L 2	
5-pole: L 1 - L 2 - Ⓞ - N - L 3	
1 ... pole no.; item no. suffix.: /... - 047	

Cutout Dimensions MCS MIDI

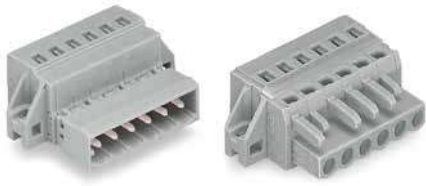


Table 1:
Cutout for 231. 721. 723 and 731 Series Male and Female Connectors with Mounting Flanges

Pole No.	Pin Spacing 5 mm		Pin Spacing 5.08 mm		Pin Spacing 7.5 mm		Pin Spacing 7.62 mm	
	L1	L2	L1	L2	L1	L2	L1	L2
2	13.4	18.4	13.6	18.6	15.9	20.9	16	21
3	18.4	23.4	18.6	23.6	23.4	28.4	23.6	28.6
4	23.4	28.4	23.7	28.7	30.9	35.9	31.3	36.3
5	28.4	33.4	28.8	33.8	38.4	43.4	38.9	43.9
6	33.5	38.3	34	38.8	46	50.8	46.6	51.4
7	38.5	43.3	39.1	43.9	53.5	58.3	54.2	59
8	43.5	48.3	44.1	48.9	61	65.8	61.8	66.6
9	48.5	53.3	49.2	54	68.5	73.3	69.5	74.3
10	53.5	58.3	54.3	59.1	76	80.8	77.1	81.9
11	58.5	63.3	59.4	64.2	83.5	88.3	84.7	89.5
12	63.5	68.3	64.5	69.3	91	95.8	92.3	97.1
13	68.6	73.2	69.6	74.2	98.6	103.2	100	104.6
14	73.6	78.2	74.7	79.3	106.1	110.7	107.7	112.3
15	78.6	83.2	79.8	84.4	113.6	118.2	115.3	119.9
16	83.6	88.2	84.9	89.5	121.1	125.7	122.9	127.5
17	88.6	93.2	90	94.6	128.6	133.2	130.5	135.1
18	93.6	98.2	95	99.6	136.1	140.7	138.1	142.7
19	98.7	103.1	100.2	104.6	143.7	148.1	145.9	150.3
20	103.7	108.1	105.3	109.7	151.2	155.6	153.5	157.9
21	108.7	113.1	110.4	114.8	158.7	163.1	161.1	165.5
22	113.7	118.1	115.5	119.9	166.2	170.6	168.7	173.1
23	118.7	123.1	120.5	124.9	173.7	178.1	176.3	180.7
24	123.7	128.1	125.6	130	181.2	185.6	184	188.4

Self-tapping screws,
for 1.8 mm ± 0.1 mm Ø mounting hole

Dimensions	Item No.	PU (SPU)
B 2.2 x 9.5 mm	209-147	200 (100)
B 2.2 x 13 mm	231-194	200 (100)

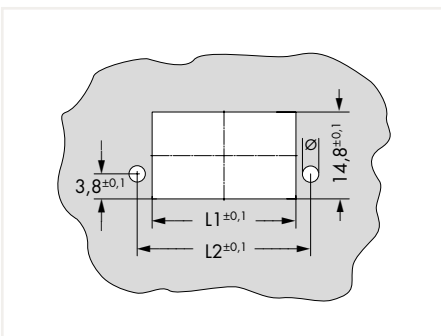
Screws with nuts,
for 2.5 mm ± 0.1 mm Ø mounting hole

Dimensions	Item No.	PU (SPU)
M 2 x 12 mm	231-195	200 (100)

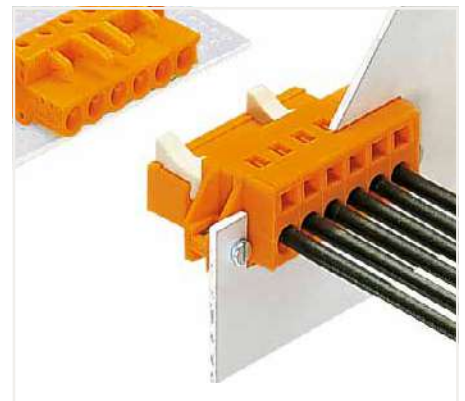
Screws with nuts,
for 3.0 mm ± 0.1 mm Ø mounting hole

Dimensions	Item No.	PU (SPU)
M 2.5 x 10 mm	231-295	200 (100)

8



Drilled hole Ø depends on the type of screw used (see mounting screws).



PU = Packaging Unit; SPU = Subpackaging Unit; Dimensions in mm

Additional information on through-panel mounting and cutout dimensions is available upon request.

Cutout Dimensions MCS MIDI



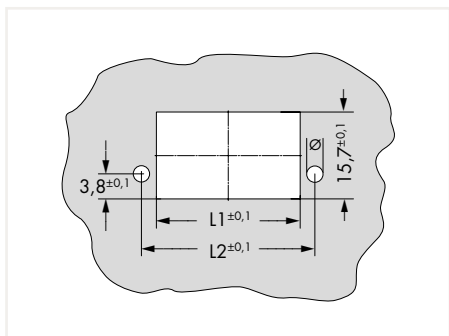
Table 2:
Cutout for 2721 and 2231 Series Female Connectors with Mounting Flanges

Pole No.	Pin Spacing 5 mm		Pin Spacing 5.08 mm		Pin Spacing 7.5 mm		Pin Spacing 7.62 mm	
	L1	L2	L1	L2	L1	L2	L1	L2
2	13.2	18.4	13.4	18.6	15.7	20.9	15.8	21
3	18.2	23.4	18.4	23.6	23.2	28.4	23.4	28.6
4	23.2	28.4	23.5	28.7	30.7	35.9	31.1	36.3
5	28.2	33.4	28.6	33.8	38.2	43.4	38.7	43.9
6	33.4	38.3	33.9	38.8	45.9	50.8	46.5	51.4
7	38.4	43.3	39	43.9	53.4	58.3	54.1	59
8	43.4	48.3	44	48.9	60.9	65.8	61.7	66.6
9	48.4	53.3	49.1	54	68.4	73.3	69.4	74.3
10	53.4	58.3	54.2	59.1	75.9	80.8	77	81.9
11	58.4	63.3	59.3	64.2	83.4	88.3	84.6	89.5
12	63.4	68.3	64.4	69.3	90.9	95.8	92.2	97.1
13	68.6	73.2	69.6	74.2	98.6	103.2	100	104.6
14	73.6	78.2	74.7	79.3	106.1	110.7	107.7	112.3
15	78.6	83.2	79.8	84.4	113.6	118.2	115.3	119.9
16	83.6	88.2	84.9	89.5	121.1	125.7	122.9	127.5
17	88.6	93.2	90	94.6	128.6	133.2	130.5	135.1
18	93.6	98.2	95	99.6	136.1	140.7	138.1	142.7
19	98.8	103.1	100.3	104.6	143.8	148.1	146	150.3
20	103.8	108.1	105.4	109.7	151.3	155.6	153.6	157.9
21	108.8	113.1	110.5	114.8	158.8	163.1	161.2	165.5
22	113.8	118.1	115.6	119.9	166.3	170.6	168.8	173.1
23	118.8	123.1	120.6	124.9	173.8	178.1	176.4	180.7
24	123.8	128.1	125.7	130	181.3	185.6	184.1	188.4

Self-tapping screws, for 1.8 mm ± 0.1 mm Ø mounting hole		
Dimensions	Item No.	PU (SPU)
B 2.2 x 9.5 mm	209-147	200 (100)
B 2.2 x 13 mm	231-194	200 (100)

Screws with nuts, for 2.5 mm ± 0.1 mm Ø mounting hole		
Dimensions	Item No.	PU (SPU)
M 2 x 12 mm	231-195	200 (100)

Screws with nuts, for 3.0 mm ± 0.1 mm Ø mounting hole		
Dimensions	Item No.	PU (SPU)
M 2.5 x 10 mm	231-295	200 (100)



Drilled hole Ø depends on the type of screw used (see mounting screws).



PU = Packaging Unit; SPU = Subpackaging Unit; Dimensions in mm

Additional information on through-panel mounting and cutout dimensions is available upon request.

Cutout Dimensions

MCS MIDI

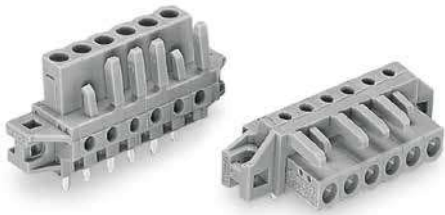


Table 3:
Cutout for 232 and 722 Series THT Female Headers with Mounting Flanges

Pole No.	Pin Spacing 5 mm		Pin Spacing 5.08 mm		Pin Spacing 7.5 mm		Pin Spacing 7.62 mm	
	L1	L2	L1	L2	L1	L2	L1	L2
2	13.4	18.4	13.6	18.6	15.9	20.9	16	21
3	18.4	23.4	18.6	23.6	23.4	28.4	23.6	28.6
4	23.4	28.4	23.7	28.7	30.9	35.9	31.3	36.3
5	28.4	33.4	28.8	33.8	38.4	43.4	38.9	43.9
6	33.5	38.3	34	38.8	46	50.8	46.6	51.4
7	38.5	43.3	39.1	43.9	53.5	58.3	54.2	59
8	43.5	48.3	44.1	48.9	61	65.8	61.8	66.6
9	48.5	53.3	49.2	54	68.5	73.3	69.5	74.3
10	53.5	58.3	54.3	59.1	76	80.8	77.1	81.9
11	58.5	63.3	59.4	64.2	83.5	88.3	84.7	89.5
12	63.5	68.3	64.5	69.3	91	95.8	92.3	97.1
13	68.6	73.2	69.6	74.2	98.6	103.2	100	104.6
14	73.6	78.2	74.7	79.3	106.1	110.7	107.7	112.3
15	78.6	83.2	79.8	84.4	113.6	118.2	115.3	119.9
16	83.6	88.2	84.9	89.5	121.1	125.7	122.9	127.5
17	88.6	93.2	90	94.6	128.6	133.2	130.5	135.1
18	93.6	98.2	95	99.6	136.1	140.7	138.1	142.7
19	98.7	103.1	100.2	104.6	143.7	148.1	145.9	150.3
20	103.7	108.1	105.3	109.7	151.2	155.6	153.5	157.9
21	108.7	113.1	110.4	114.8	158.7	163.1	161.1	165.5
22	113.7	118.1	115.5	119.9	166.2	170.6	168.7	173.1
23	118.7	123.1	120.5	124.9	173.7	178.1	176.3	180.7
24	123.7	128.1	125.6	130	181.2	185.6	184	188.4

Self-tapping screws,
for 1.8 mm ± 0.1 mm Ø mounting hole

Dimensions	Item No.	PU (SPU)
B 2.2 x 9,5 mm	209-147	200 (100)
B 2.2 x 13 mm	231-194	200 (100)

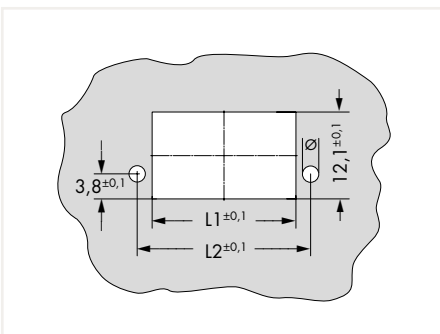
Screws with nuts,
for 2.5 mm ± 0.1 mm Ø mounting hole

Dimensions	Item No.	PU (SPU)
M 2 x 12 mm	231-195	200 (100)

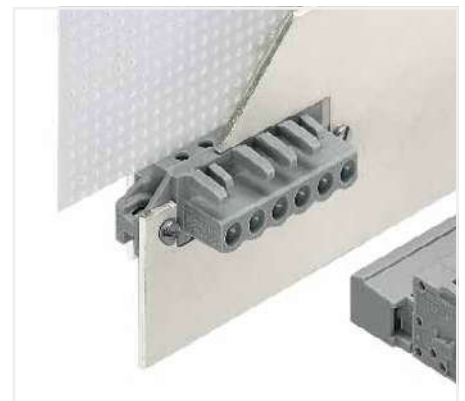
Screws with nuts,
for 3.0 mm ± 0.1 mm Ø mounting hole

Dimensions	Item No.	PU (SPU)
M 2.5 x 10 mm	231-295	200 (100)

8



Drilled hole Ø depends on the type of screw used (see mounting screws).



PU = Packaging Unit; SPU = Subpackaging Unit; Dimensions in mm

Additional information on through-panel mounting and cutout dimensions is available upon request.

Cutout Dimensions MCS MIDI

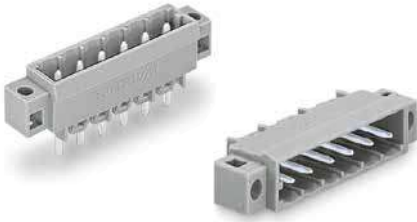


Table 4:
Cutout for 231 Series THT Male Headers with Mounting Flanges

Pole No.	Pin Spacing 5 mm			Pin Spacing 7,5 mm		
	L1	L2	L3	L1	L2	L3
2	13.6	8.9	9.5	16.1	10.6	10.8
3	18.6	11.4	12	23.6	14.3	14.5
4	23.6	13.9	14.5	31.1	18.1	18.3
5	28.6	16.4	17	38.6	21.8	22
6	33.8	19	19.6	46.3	25.7	25.9
7	38.8	21.5	22.1	53.8	29.4	29.6
8	43.8	24	24.6	61.3	33.2	33.4
9	48.8	26.5	27.1	68.8	36.9	37.1
10	53.8	29	29.6	76.3	40.7	40.9
11	58.8	31.5	32.1	83.8	44.4	44.6
12	63.8	34	34.6	91.3	48.2	48.4
13	69	36.6	37.2	99	52	52.2
14	74	39.1	39.7	106.5	55.8	56
15	79	41.6	42.2	114	59.5	59.7
16	84	44.1	44.7	121.5	63.3	63.5
17	89	46.6	47.2	129	67	67.2
18	94	49.1	49.7	136.5	70.8	71
19	99.2	51.7	52.3	144.2	74.6	74.8
20	104.2	54.2	54.8	151.7	78.4	78.6
21	109.2	56.7	57.3	159.2	82.1	82.3
22	114.2	59.2	59.8	166.7	85.9	86.1
23	119.2	61.7	62.3	174.2	89.6	89.8
24	124.2	64.2	64.8	181.7	93.4	93.6

Self-tapping screws,
for 1.8 mm ± 0.1 mm Ø mounting hole

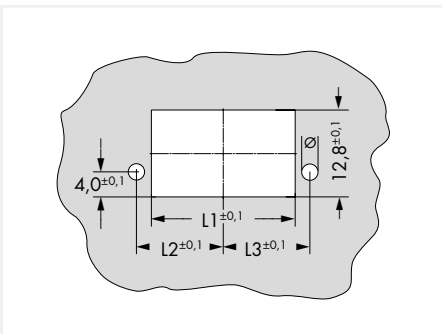
Dimensions	Item No.	PU (SPU)
B 2.2 x 9.5 mm	209-147	200 (100)
B 2.2 x 13 mm	231-194	200 (100)

Screws with nuts,
for 2.5 mm ± 0.1 mm Ø mounting hole

Dimensions	Item No.	PU (SPU)
M 2 x 12 mm	231-195	200 (100)

Screws with nuts,
for 3.0 mm ± 0.1 mm Ø mounting hole

Dimensions	Item No.	PU (SPU)
M 2.5 x 10 mm	231-295	200 (100)

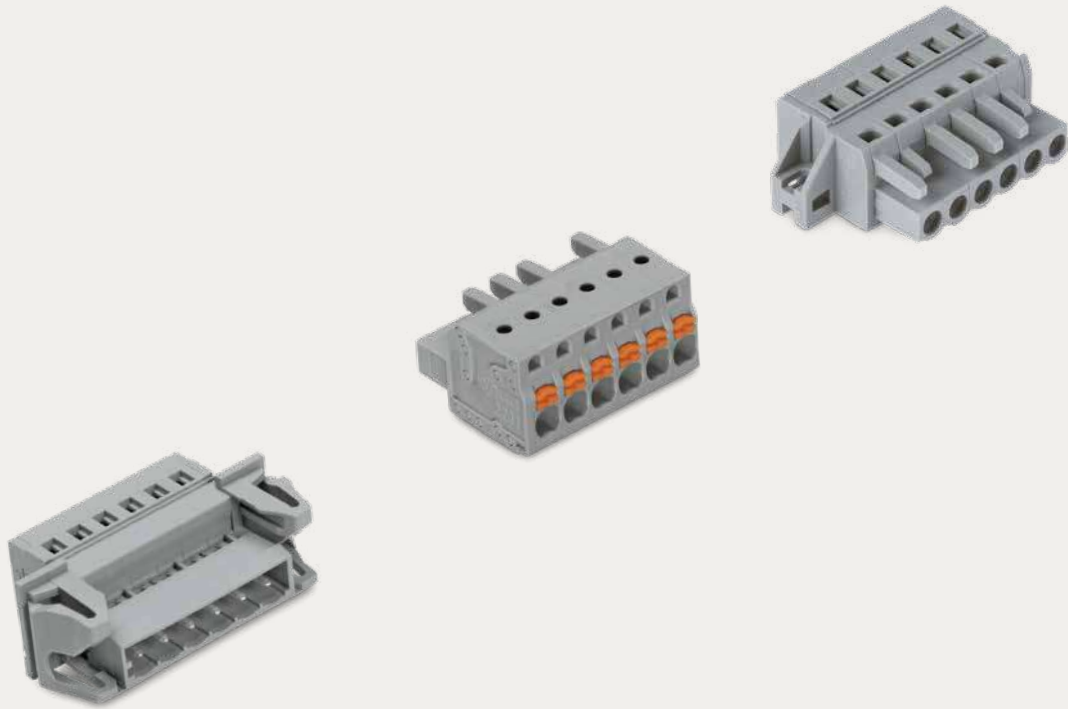


Drilled hole Ø depends on the type of screw used (see mounting screws).



PU = Packaging Unit; SPU = Subpackaging Unit; Dimensions in mm



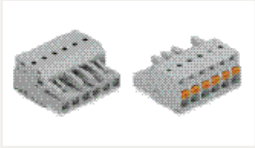







Additional information on through-panel mounting and cutout dimensions is available upon request.



WAGO MULTI CONNECTION SYSTEM **MIDI Classic**

WAGO MULTI CONNECTION SYSTEM MIDI Classic

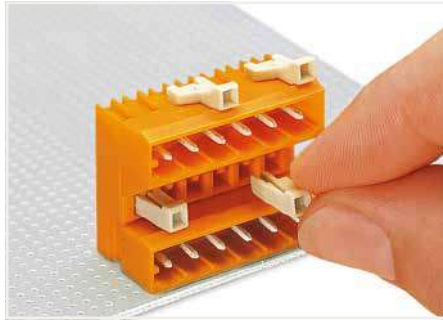
Pin Spacing: 5/5.08 mm, 7.5/7.62 mm ▶ 2.5 mm²

		Nominal Cross-Section	Page
	MCS MIDI Classic 1-Conductor Female Connectors ▶ Actuation type: Operating tool ▶ CAGE CLAMP®	5 mm	560
		5.08 mm	614
		7.5 mm	652
		7.62 mm	696
	MCS MIDI Classic 2-Conductor Female Connectors ▶ Actuation type: Operating tool ▶ Push-in CAGE CLAMP®	5 mm	570
		5.08 mm	622
		7.5 mm	662
		7.62 mm	702
	MCS MIDI Classic 1-Conductor Female Connectors ▶ Actuation type: Push-button ▶ Push-in CAGE CLAMP®	5 mm	572
		5.08 mm	626
		7.5 mm	664
		7.62 mm	704
	MCS MIDI Classic 1-Conductor Male Connectors ▶ Actuation type: Operating tool ▶ CAGE CLAMP®	5 mm	576
		5.08 mm	630
		7.5 mm	668
		7.62 mm	708
	MCS MIDI Classic THT Female Headers	5 mm	580
		5.08 mm	634
		7.5 mm	672
		7.62 mm	712
	MCS MIDI Classic THT Male Headers	5 mm	586
		5.08 mm	640
		7.5 mm	666
		7.62 mm	718
	MCS MIDI THR Male Headers	5 mm	598
		7.5 mm	686
	MCS MIDI Classic Female Connectors for Rail-Mount Terminal Blocks Male Connectors for Rail-Mount Terminal Blocks	5 mm	608
		5 mm	612
	MCS MIDI Accessories Accessories and Tools		724
			861
	Application Examples		742

MCS MIDI Classic Description and Installation



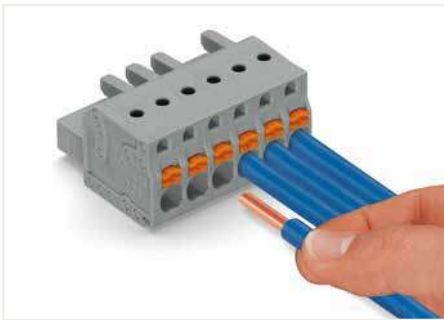
Coding a male header – fitting coding key(s).



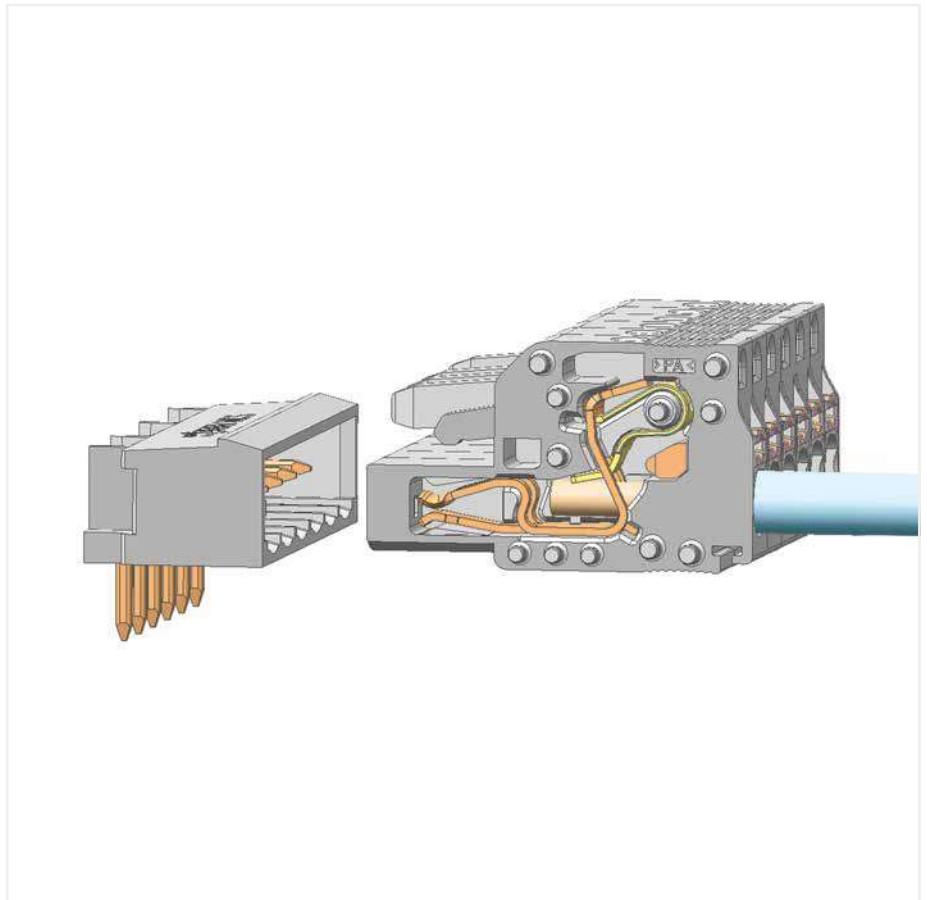
Coding a lower male header – inserting coding key(s).



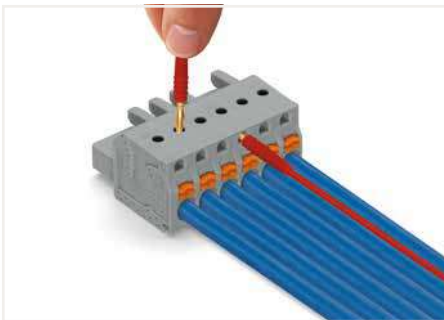
Coding a female connector – removing coding finger(s).



Push-in termination of solid conductors or fine-stranded conductors with ferrule



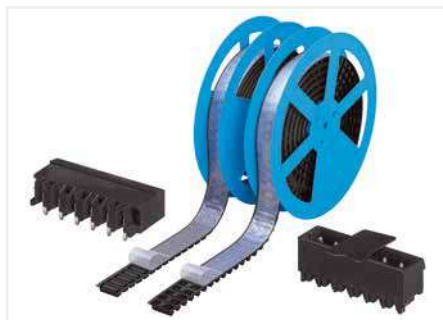
Pin spacing: 5/5.08 mm and 7.5/7.62 mm, Push-in CAGE CLAMP®



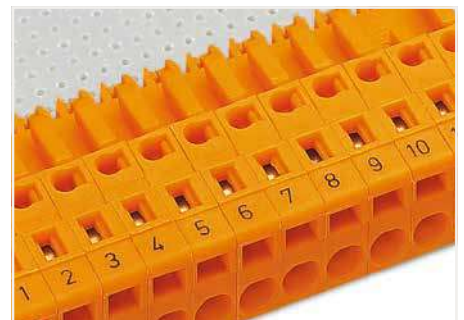
Testing parallel to conductor entry via integrated test ports – female connector with push-buttons and Push-in CAGE CLAMP® connection – touch contact perpendicular to conductor entry.



Inserting fine-stranded conductors into Push-in CAGE CLAMP® unit via push-buttons.



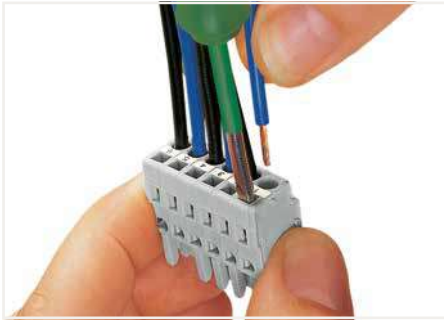
THR male headers in tape-and-reel packaging for SMT applications



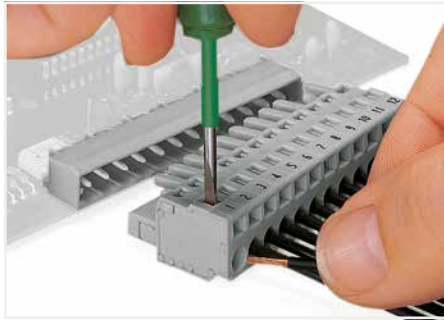
Labeling via direct marking or self-adhesive strips.

MCS MIDI Classic

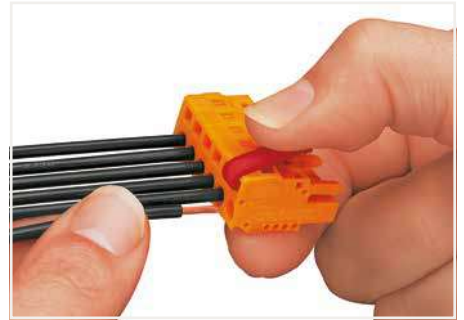
Description and Installation



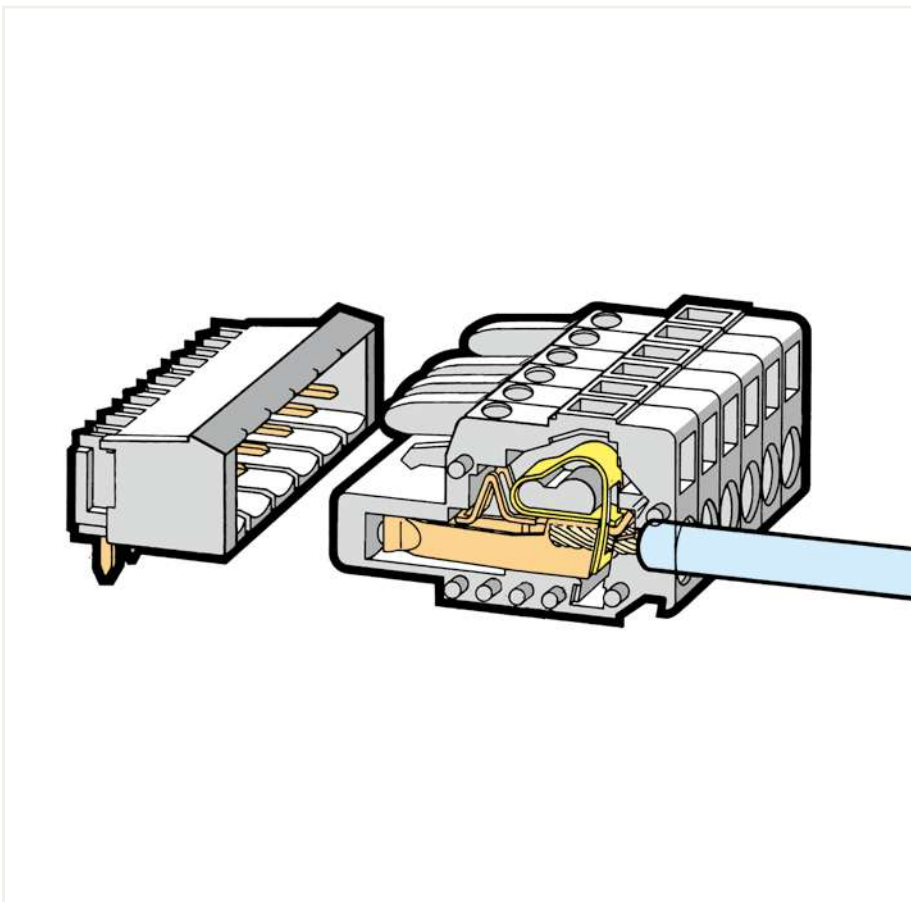
Inserting a conductor via 3.5 mm screwdriver – CAGE CLAMP® actuation parallel to conductor entry.



Inserting a conductor via 3.5 mm screwdriver – CAGE CLAMP® actuation perpendicular to conductor entry.



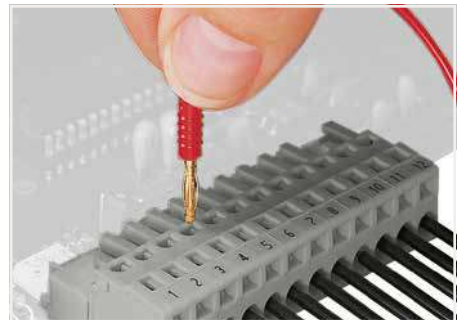
Inserting a conductor into CAGE CLAMP® unit via operating lever (231-291).



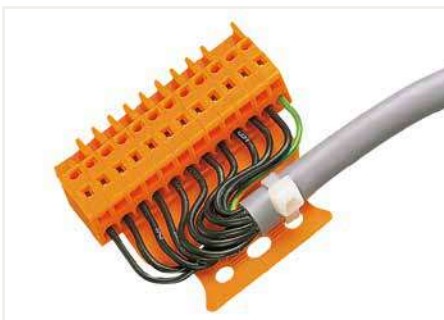
Pin spacing: 5/5.08 mm and 7.5/7.62 mm, CAGE CLAMP®



Inserting a conductor into CAGE CLAMP® unit via operating tool (210-250).



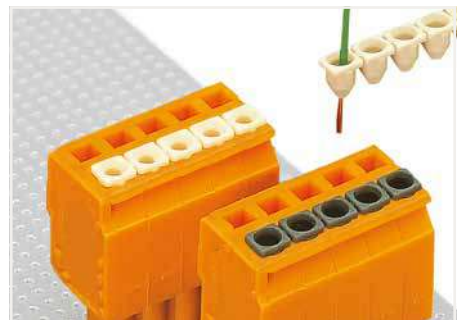
Testing perpendicular to conductor entry via 2 or 2.3 mm Ø test plug – female connector with CAGE CLAMP®.



Male connector with strain relief plate



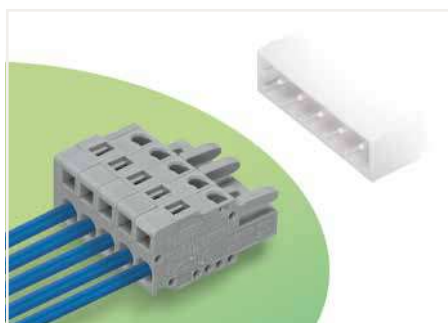
Strain relief housing shown with a male connector equipped with CAGE CLAMP®



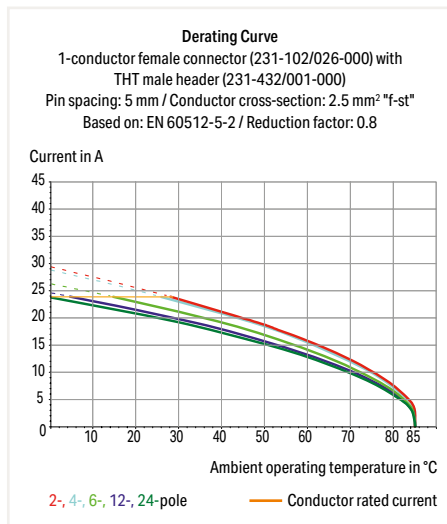
Insulation stop – prevents conductor insulation from being inserted into CAGE CLAMP® and Push-in CAGE CLAMP® units.

1-conductor female plug ▶ MCS MIDI Classic ▶ 231 Series

Pin spacing: 5 mm / 0.197 inch ▶ Actuation type: Operating tool ▶ CAGE CLAMP® ▶ Conductor entry direction to mating direction: 0° ▶ Color: gray



- Universal connection for all conductor types
- Easy cable pre-assembly and on-unit wiring via vertical and horizontal CAGE CLAMP® actuation
- Integrated test ports
- With coding fingers



Electrical Data

Ratings per	IEC/EN 60664-1		
Overvoltage category	III	III	II
Pollution degree	3	2	2
Rated voltage	320 V	320 V	630 V
Rated impulse voltage	4 kV	4 kV	4 kV
Rated current	16 A	16 A	16 A
Approbations per	UL 1059		
Use group	B	C	D
Rated voltage	300 V	-	300 V
Rated current	15 A	-	10 A
Approbations per	UL 1977		
Rated voltage	600 V		
Rated current	15 A		
Approbations per	CSA		
Use group	B	C	D
Rated voltage	300 V	-	300 V
Rated current	15 A	-	10 A

Connection Data

Connection technology	CAGE CLAMP®
Strip length	8 ... 9 mm / 0.31 ... 0.35 inch
Solid conductor	0.08 ... 2.5 mm ² / 28 ... 12 AWG
Fine-stranded conductor	0.08 ... 2.5 mm ² / 28 ... 12 AWG
Fine-stranded conductor; with insulated ferrule	0.25 ... 1.5 mm ²
Fine-stranded conductor; with uninsulated ferrule	0.25 ... 2.5 mm ²

Material Data

Material group	I
Insulation material	Polyamide (PA66)
Flammability class per UL94	V0
Clamping spring material	Chrome nickel spring steel (CrNi)
Contact material	Copper alloy
Contact plating	Tin-plated

Environmental Requirements

Limit temperature range	-60 ... +85 °C
-------------------------	----------------

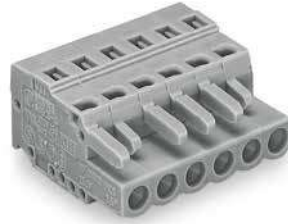
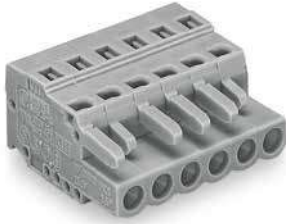
The MCS – MULTI CONNECTION SYSTEM includes connectors without breaking capacity in accordance with DIN EN 61984. When used as intended, these connectors must not be connected/disconnected when live or under load. The circuit design should ensure header pins, which can be touched, are not live when unmated.

Ferrule	Page 879
General accessories	Page 727
Insulation stop	Page 727
Jumper	Page 733
Marking	Page 865
Mounting	Page 732, 869
Mounting adapter	Page 733
Strain relief	Page 730
Test and measurement	Page 725, 886
Tool	Page 538
Cutout dimensions	Page 738
Direct marking	Page 734
See technical section for further information	
For approvals and corresponding ratings, visit www.wago.com	

1-conductor female plug ▶ MCS MIDI Classic ▶ 231 Series

Pin spacing: 5 mm / 0.197 inch ▶ Actuation type: Operating tool ▶ CAGE CLAMP® ▶ Conductor entry direction to mating direction: 0° ▶ Color: gray

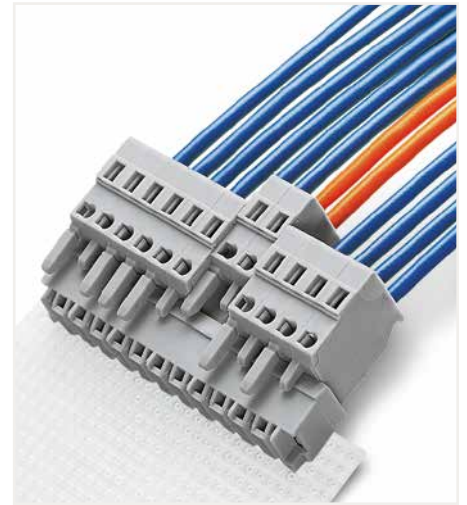
Plugging without loss of pin spacing



231-106/102-000

Pole No.	Item No.	PU
2	231-102/026-000	100
3	231-103/026-000	100
4	231-104/026-000	100
5	231-105/026-000	100
6	231-106/026-000	50
7	231-107/026-000	50
8	231-108/026-000	50
9	231-109/026-000	50
10	231-110/026-000	50
11	231-111/026-000	25
12	231-112/026-000	25
13	231-113/026-000	25
14	231-114/026-000	25
15	231-115/026-000	25
16	231-116/026-000	25
17	231-117/026-000	25
18	231-118/026-000	25
19	231-119/026-000	10
20	231-120/026-000	10
21	231-121/026-000	10
22	231-122/026-000	10
23	231-123/026-000	10
24	231-124/026-000	10

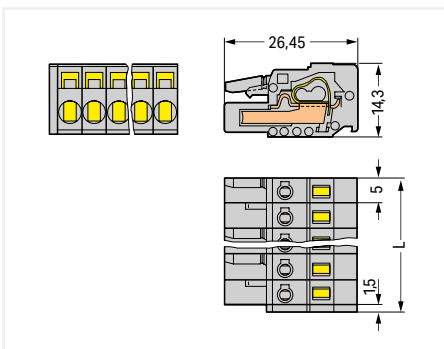
Pole No.	Item No.	PU
2	231-102/102-000	100
3	231-103/102-000	100
4	231-104/102-000	100
5	231-105/102-000	100
6	231-106/102-000	50
7	231-107/102-000	50
8	231-108/102-000	50
9	231-109/102-000	50
10	231-110/102-000	50
11	231-111/102-000	25
12	231-112/102-000	25
13	231-113/102-000	25
14	231-114/102-000	25
15	231-115/102-000	25
16	231-116/102-000	25
17	231-117/102-000	25
18	231-118/102-000	25
19	231-119/102-000	10
21	231-121/102-000	10
22	231-122/102-000	10
23	231-123/102-000	10
24	231-124/102-000	10



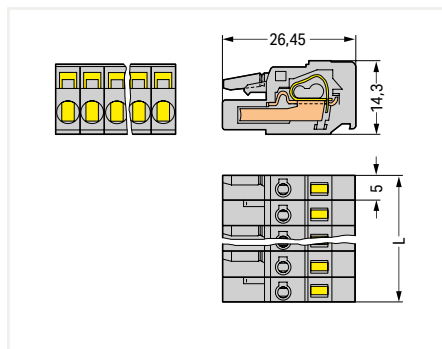
Total pole number for female connectors = pole number for male header



Female connectors with a built-in end plate require no extra space, while maintaining the nominal cross-section. This means: Total length of female connectors is reduced to "pole no. x pin spacing"!



L = (pole no. x pin spacing) + 1.5 mm
2- to 3-pole female connectors – one latch only



L = pole no. x pin spacing
2- to 3-pole female connectors – one latch only

PU = Packaging Unit; SPU = Subpackaging Unit; Dimensions in mm

Other versions (or variants) can be requested from WAGO Sales or configured at <https://configurator.wago.com/>.

- Gold-plated or partially gold-plated contact surfaces

1-conductor female plug ▶ MCS MIDI Classic ▶ 231 Series

Pin spacing: 5 mm / 0.197 inch ▶ Actuation type: Operating tool ▶ CAGE CLAMP® ▶ Conductor entry direction to mating direction: 0° ▶ Color: gray

Locking of plug-in connection: Locking lever

Mounting type: Feed-through mounting; Panel mounting
▶ Mounting type: Mounting flange

Mounting type: Feed-through mounting; Panel mounting
▶ Mounting type: Mounting flange ▶ with reinforcing strips



231-106/031-000

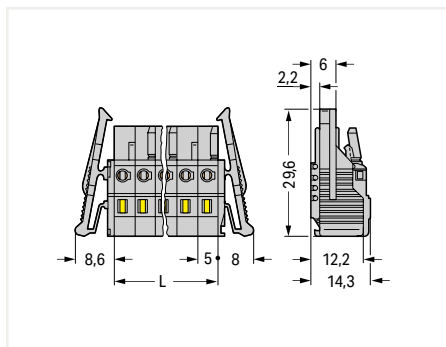
231-106/027-000

Pole No.	Item No.	PU
2	231-102/037-000	100
3	231-103/037-000	50
4	231-104/037-000	50
5	231-105/037-000	50
6	231-106/037-000	50
7	231-107/037-000	50
8	231-108/037-000	25
9	231-109/037-000	25
10	231-110/037-000	25
11	231-111/037-000	25
12	231-112/037-000	25
13	231-113/037-000	25
14	231-114/037-000	25
15	231-115/037-000	25
16	231-116/037-000	10
17	231-117/037-000	10
18	231-118/037-000	10
19	231-119/037-000	10
20	231-120/037-000	10
21	231-121/037-000	10
22	231-122/037-000	10
23	231-123/037-000	10
24	231-124/037-000	10

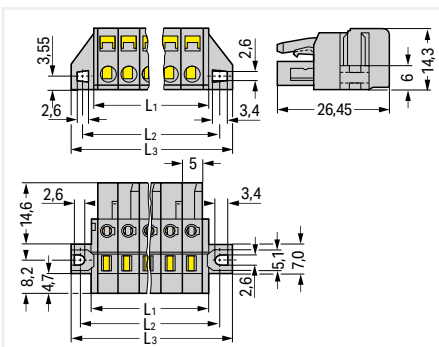
Pole No.	Item No.	PU
2	231-102/031-000	100
3	231-103/031-000	50
4	231-104/031-000	50
5	231-105/031-000	50
6	231-106/031-000	50
7	231-107/031-000	50
8	231-108/031-000	50
9	231-109/031-000	25
10	231-110/031-000	25
11	231-111/031-000	25
12	231-112/031-000	25
13	231-113/031-000	25
14	231-114/031-000	25
15	231-115/031-000	25
16	231-116/031-000	10
17	231-117/031-000	10
18	231-118/031-000	10
19	231-119/031-000	10
20	231-120/031-000	10
21	231-121/031-000	10
22	231-122/031-000	10
23	231-123/031-000	10
24	231-124/031-000	10

Pole No.	Item No.	PU
6	231-106/027-000	50
7	231-107/027-000	50
8	231-108/027-000	50
9	231-109/027-000	25
10	231-110/027-000	25
11	231-111/027-000	25
12	231-112/027-000	25
13	231-113/027-000	25
14	231-114/027-000	25
15	231-115/027-000	25
16	231-116/027-000	10
17	231-117/027-000	10
18	231-118/027-000	10
19	231-119/027-000	10
20	231-120/027-000	10
21	231-121/027-000	10
22	231-122/027-000	10
23	231-123/027-000	10
24	231-124/027-000	10

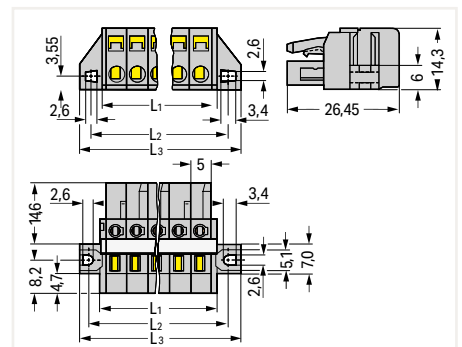
9



L = pole no. x pin spacing
2- to 3-pole female connectors – one latch only



L₁ = (pole no. x pin spacing) + 3 mm
L₂ = (pole no. x pin spacing) + 8.8 mm
L₃ = (pole no. x pin spacing) + 14.8 mm
2- to 3-pole female connectors – one latch only



L₁ = (pole no. x pin spacing) + 3 mm
L₂ = (pole no. x pin spacing) + 8.8 mm
L₃ = (pole no. x pin spacing) + 14.8 mm
2- to 3-pole female connectors – one latch only

PU = Packaging Unit; SPU = Subpackaging Unit; Dimensions in mm

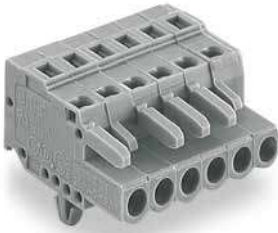
Other versions (or variants) can be requested from WAGO Sales or configured at <https://configurator.wago.com/>.

- Gold-plated or partially gold-plated contact surfaces

1-conductor female plug ▶ MCS MIDI Classic ▶ 231 Series

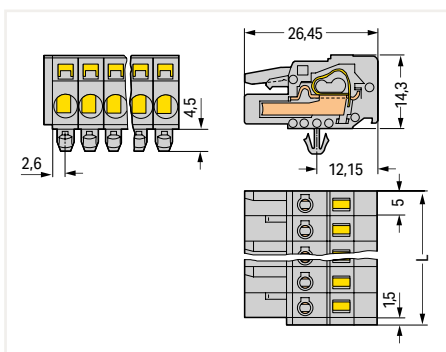
Pin spacing: 5 mm / 0.197 inch ▶ Actuation type: Operating tool ▶ CAGE CLAMP® ▶ Conductor entry direction to mating direction: 0° ▶ Color: gray

Mounting type: Panel mounting ▶ Mounting type: Snap-in foot



231-106/008-000

Pole No.	Item No.	PU
2	231-102/008-000	100
3	231-103/008-000	100
4	231-104/008-000	100
5	231-105/008-000	100
6	231-106/008-000	50
7	231-107/008-000	25
8	231-108/008-000	50
9	231-109/008-000	50
10	231-110/008-000	50
11	231-111/008-000	25
12	231-112/008-000	25
13	231-113/008-000	25
14	231-114/008-000	25
15	231-115/008-000	25
16	231-116/008-000	25
17	231-117/008-000	25
18	231-118/008-000	25
19	231-119/008-000	10
20	231-120/008-000	10
21	231-121/008-000	10
22	231-122/008-000	10
23	231-123/008-000	10
24	231-124/008-000	10



$L = (\text{pole no.} \times \text{pin spacing}) + 1.5 \text{ mm}$

2- to 3-pole female connectors – one latch only

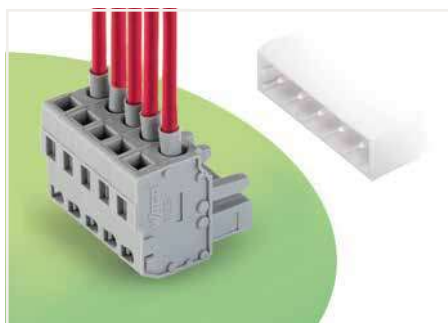
PU = Packaging Unit; SPU = Subpackaging Unit; Dimensions in mm

Other versions (or variants) can be requested from WAGO Sales or configured at <https://configurator.wago.com/>.

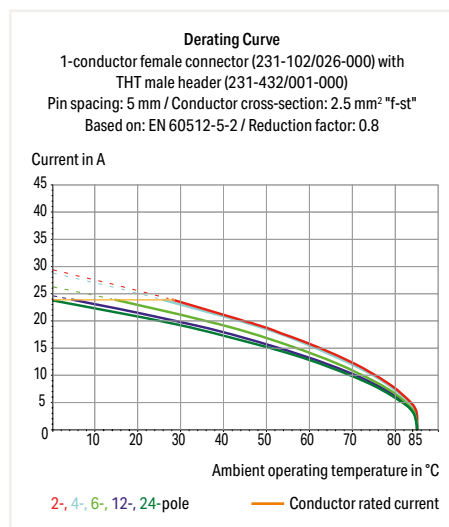
- Gold-plated or partially gold-plated contact surfaces

1-conductor female plug ▶ MCS MIDI Classic ▶ 232 Series

Pin spacing: 5 mm / 0.197 inch ▶ Actuation type: Operating tool ▶ CAGE CLAMP® ▶ Color: gray



- Universal connection for all conductor types
- Easy cable pre-assembly and on-unit wiring via vertical and horizontal CAGE CLAMP® actuation
- Integrated test ports
- With coding fingers

**Electrical Data**

Ratings per	IEC/EN 60664-1		
Overvoltage category	III	III	II
Pollution degree	3	2	2
Rated voltage	320 V	320 V	630 V
Rated impulse voltage	4 kV	4 kV	4 kV
Rated current	14 A	14 A	14 A
Approbations per	UL 1059		
Use group	B	C	D
Rated voltage	300 V	-	300 V
Rated current	15 A	-	10 A
Approbations per	UL 1977		
Rated voltage	600 V		
Rated current	15 A		
Approbations per	CSA		
Use group	B	C	D
Rated voltage	300 V	-	300 V
Rated current	15 A	-	10 A

Connection Data

Connection technology	CAGE CLAMP®
Strip length	8 ... 9 mm / 0.31 ... 0.35 inch
Solid conductor	0.08 ... 2.5 mm ² / 28 ... 12 AWG
Fine-stranded conductor	0.08 ... 2.5 mm ² / 28 ... 12 AWG
Fine-stranded conductor; with insulated ferrule	0.25 ... 1.5 mm ²
Fine-stranded conductor; with uninsulated ferrule	0.25 ... 2.5 mm ²

Material Data

Material group	I
Insulation material	Polyamide (PA66)
Flammability class per UL94	V0
Clamping spring material	Chrome nickel spring steel (CrNi)
Contact material	Copper alloy
Contact plating	Tin-plated

Environmental Requirements

Limit temperature range	-60 ... +85 °C
-------------------------	----------------

The MCS – MULTI CONNECTION SYSTEM includes connectors without breaking capacity in accordance with DIN EN 61984. When used as intended, these connectors must not be connected/disconnected when live or under load. The circuit design should ensure header pins, which can be touched, are not live when unmated.

Ferrule	Page 879
General accessories	Page 727
Insulation stop	Page 727
Jumper	Page 733
Marking	Page 865
Strain relief	Page 730
Test and measurement	Page 725, 886
Tool	Page 538
Direct marking	Page 734
See technical section for further information	
For approvals and corresponding ratings, visit www.wago.com	

1-conductor female plug ▶ MCS MIDI Classic ▶ 232 Series

Pin spacing: 5 mm / 0.197 inch ▶ Actuation type: Operating tool ▶ CAGE CLAMP® ▶ Color: gray

Conductor entry direction to mating direction: 90°

Conductor entry direction to mating direction: 270°

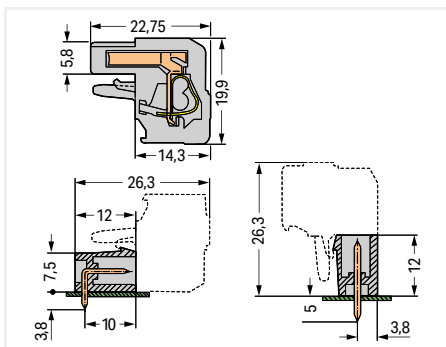


232-206/026-000

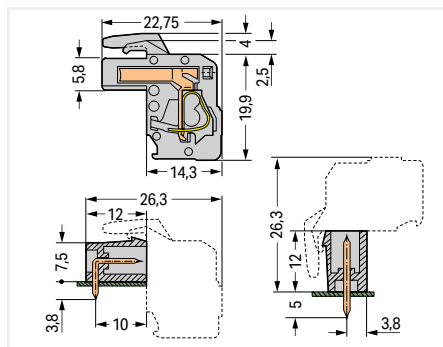


232-106/026-000

Pole No.	Item No.	PU	Pole No.	Item No.	PU
2	232-202/026-000	100	2	232-102/026-000	100
3	232-203/026-000	100	3	232-103/026-000	100
4	232-204/026-000	100	4	232-104/026-000	100
5	232-205/026-000	100	5	232-105/026-000	100
6	232-206/026-000	50	6	232-106/026-000	50
7	232-207/026-000	50	7	232-107/026-000	50
8	232-208/026-000	50	8	232-108/026-000	50
9	232-209/026-000	50	9	232-109/026-000	50
10	232-210/026-000	50	10	232-110/026-000	50
11	232-211/026-000	25	11	232-111/026-000	25
12	232-212/026-000	25	12	232-112/026-000	25
13	232-213/026-000	25	13	232-113/026-000	25
14	232-214/026-000	25	14	232-114/026-000	25
15	232-215/026-000	25	15	232-115/026-000	25
16	232-216/026-000	25	16	232-116/026-000	25
17	232-217/026-000	25	17	232-117/026-000	25
18	232-218/026-000	25	18	232-118/026-000	25
19	232-219/026-000	10	19	232-119/026-000	10
20	232-220/026-000	10	20	232-120/026-000	10
21	232-221/026-000	10	21	232-121/026-000	10
22	232-222/026-000	10	22	232-122/026-000	10
23	232-223/026-000	10	23	232-123/026-000	10
24	232-224/026-000	10	24	232-124/026-000	10



$L = (\text{pole no.} \times \text{pin spacing}) + 1.5 \text{ mm} + 0.9 \text{ mm}$
2- to 3-pole female connectors – one latch only



$L = (\text{pole no.} \times \text{pin spacing}) + 1.5 \text{ mm} + 0.9 \text{ mm}$
2- to 3-pole female connectors – one latch only

PU = Packaging Unit; SPU = Subpackaging Unit; Dimensions in mm

Other versions (or variants) can be requested from WAGO Sales or configured at <https://configurator.wago.com/>.

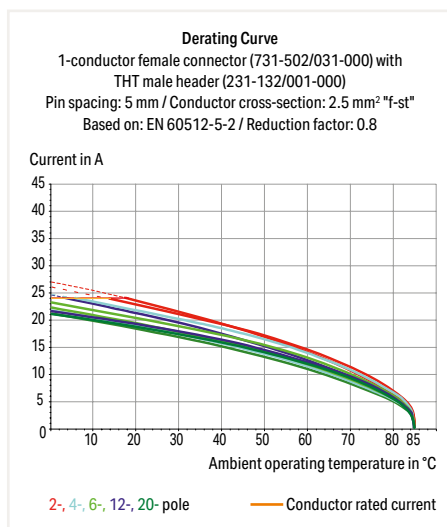
- Gold-plated or partially gold-plated contact surfaces

1-conductor female plug ▶ MCS MIDI Classic ▶ 731 Series

Pin spacing: 5 mm / 0.197 inch ▶ Actuation type: Operating tool ▶ CAGE CLAMP® ▶ Conductor entry direction to mating direction: 90 ° ▶ Color: gray



- Universal connection for all conductor types
- Available with snap-in mounting feet or flanges for panel or through-panel mounting
- Mounting adapter allows versions with snap-in mounting feet to be DIN-35 rail mounted
- Easy conductor termination, even when halves are mated



Electrical Data

Ratings per	IEC/EN 60664-1		
Overvoltage category	III	III	II
Pollution degree	3	2	2
Rated voltage	320 V	320 V	630 V
Rated impulse voltage	4 kV	4 kV	4 kV
Rated current	12 A	12 A	12 A
Approbations per	UL 1059		
Use group	B	C	D
Rated voltage	300 V	-	300 V
Rated current	15 A	-	10 A
Approbations per	UL 1977		
Rated voltage	600 V		
Rated current	15 A		
Approbations per	CSA		
Use group	B	C	D
Rated voltage	300 V	-	300 V
Rated current	15 A	-	10 A

Connection Data

Connection technology	CAGE CLAMP®
Strip length	7 ... 8 mm / 0.28 ... 0.31 inch
Solid conductor	0.08 ... 2.5 mm ² / 28 ... 12 AWG
Fine-stranded conductor	0.08 ... 2.5 mm ² / 28 ... 12 AWG
Fine-stranded conductor; with insulated ferrule	0.25 ... 1.5 mm ²
Fine-stranded conductor; with uninsulated ferrule	0.25 ... 2.5 mm ²

Material Data

Material group	I
Insulation material	Polyamide (PA66)
Flammability class per UL94	V0
Clamping spring material	Chrome nickel spring steel (CrNi)
Contact material	Copper alloy
Contact plating	Tin-plated

Environmental Requirements

Limit temperature range	-60 ... +85 °C
-------------------------	----------------

The MCS – MULTI CONNECTION SYSTEM includes connectors without breaking capacity in accordance with DIN EN 61984. When used as intended, these connectors must not be connected/disconnected when live or under load. The circuit design should ensure header pins, which can be touched, are not live when unmated.

Ferrule	Page 879
Jumper	Page 733
Marking	Page 865
Mounting	Page 732, 869
Strain relief	Page 730
Test and measurement	Page 725
Tool	Page 538, 870
Direct marking	Page 734
See technical section for further information	
For approvals and corresponding ratings, visit www.wago.com	

1-conductor female plug ▶ MCS MIDI Classic ▶ 731 Series

Pin spacing: 5 mm / 0.197 inch ▶ Actuation type: Operating tool ▶ CAGE CLAMP® ▶ Conductor entry direction to mating direction: 90 ° ▶ Color: gray

Mounting type: Feed-through mounting; Panel mounting ▶ Mounting type: Mounting flange



731-505/031-000

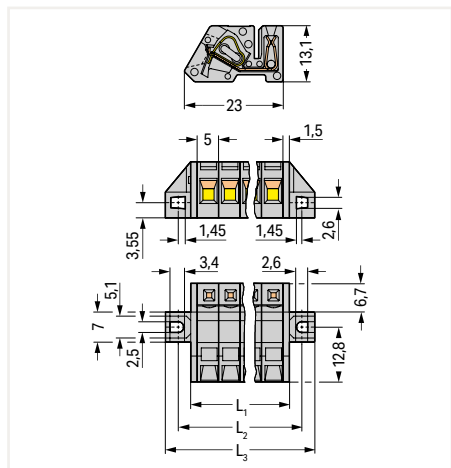


Angled female connector – a male header with straight solder pins is used for horizontal PCB mounting in narrow housings.

Pole No.	Item No.	PU
2	731-502/031-000	100
3	731-503/031-000	50
4	731-504/031-000	50
5	731-505/031-000	50
6	731-506/031-000	50
7	731-507/031-000	50
8	731-508/031-000	50
9	731-509/031-000	25
10	731-510/031-000	25
11	731-511/031-000	25
12	731-512/031-000	25
13	731-513/031-000	25
14	731-514/031-000	25
15	731-515/031-000	25
16	731-516/031-000	10
17	731-517/031-000	10
18	731-518/031-000	10
19	731-519/031-000	10
20	731-520/031-000	10



Angled female connector – used as through-panel connector; termination ports and operating slots are located outside the housing – panel thickness up to 2 mm.



$L_1 = (\text{pole no.} \times \text{pin spacing}) + 3 \text{ mm}$
 $L_2 = (\text{pole no.} \times \text{pin spacing}) + 8.8 \text{ mm}$
 $L_3 = (\text{pole no.} \times \text{pin spacing}) + 14.8 \text{ mm}$

PU = Packaging Unit; SPU = Subpackaging Unit; Dimensions in mm

Other versions (or variants) can be requested from WAGO Sales or configured at <https://configurator.wago.com/>.

- Other pole numbers
- Gold-plated or partially gold-plated contact surfaces

1-conductor female plug ▶ MCS MIDI Classic ▶ 731 Series

Pin spacing: 5 mm / 0.197 inch ▶ Actuation type: Operating tool ▶ CAGE CLAMP® ▶ Conductor entry direction to mating direction: 90 ° ▶ Color: gray

Mounting type: Panel mounting ▶ Mounting type: Snap-in foot

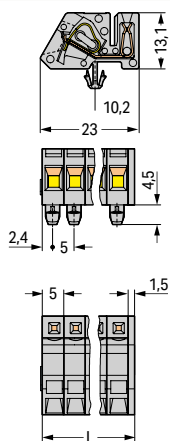


731-505/008-000



Angled female connector with DIN-35 rail-mount adapter (209-120)

Pole No.	Item No.	PU
2	731-502/008-000	100
3	731-503/008-000	50
4	731-504/008-000	50
5	731-505/008-000	50
6	731-506/008-000	50
7	731-507/008-000	50
8	731-508/008-000	50
9	731-509/008-000	50
10	731-510/008-000	50
11	731-511/008-000	25
12	731-512/008-000	25
13	731-513/008-000	25
14	731-514/008-000	25
15	731-515/008-000	25
16	731-516/008-000	25
17	731-517/008-000	25
18	731-518/008-000	25
19	731-519/008-000	10
20	731-520/008-000	10



$L = (\text{pole no.} \times \text{pin spacing}) + 1.5 \text{ mm}$

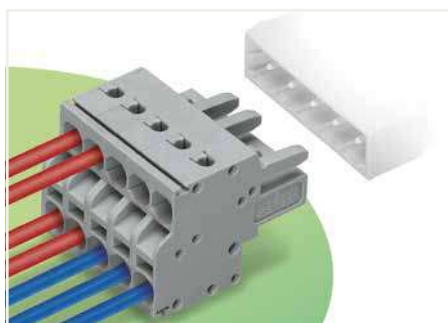
PU = Packaging Unit; SPU = Subpackaging Unit; Dimensions in mm

Other versions (or variants) can be requested from WAGO Sales or configured at <https://configurator.wago.com/>.

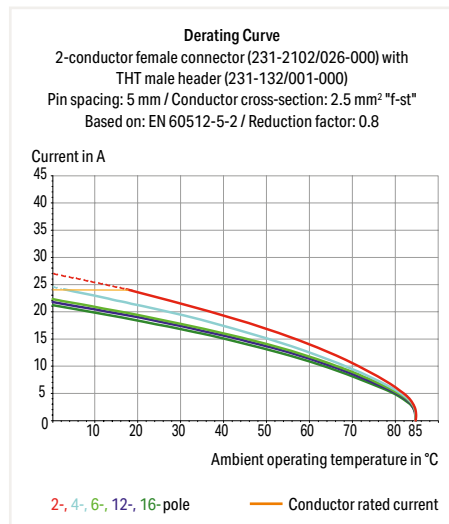
- Other pole numbers
- Gold-plated or partially gold-plated contact surfaces

2-conductor female connector ▶ MCS MIDI Classic ▶ 231 Series

Pin spacing: 5 mm / 0.197 inch ▶ Actuation type: Operating tool ▶ Push-in CAGE CLAMP® ▶ Conductor entry direction to mating direction: 0° ▶ Color: gray



- Universal connection for all conductor types
- Two conductor entries per pole
- For looping through power or data buses
- Bus connection is retained, even when unmated
- Push-in termination of solid and ferruled conductors
- With coding fingers



Electrical Data

Ratings per	IEC/EN 60664-1		
Overvoltage category	III	III	II
Pollution degree	3	2	2
Rated voltage	320 V	320 V	630 V
Rated impulse voltage	4 kV	4 kV	4 kV
Rated current	16 A	16 A	16 A
Approbations per	UL 1059		
Use group	B	C	D
Rated voltage	300 V	-	300 V
Rated current	20 A	-	10 A
Approbations per	UL 1977		
Rated voltage	600 V		
Rated current	20 A		
Approbations per	CSA		
Use group	B	C	D
Rated voltage	300 V	-	300 V
Rated current	15 A	-	10 A

Connection Data

Connection technology	Push-in CAGE CLAMP®
Strip length	9 ... 10 mm / 0.35 ... 0.39 inch
Solid conductor	0.2 ... 2.5 mm ² / 24 ... 12 AWG
Fine-stranded conductor	0.2 ... 2.5 mm ² / 24 ... 12 AWG
Fine-stranded conductor; with insulated ferrule	0.25 ... 1.5 mm ²
Fine-stranded conductor; with uninsulated ferrule	0.25 ... 2.5 mm ²

Material Data

Material group	I
Insulation material	Polyamide (PA66)
Flammability class per UL94	V0
Clamping spring material	Chrome nickel spring steel (CrNi)
Contact material	Copper alloy
Contact plating	Tin-plated

Environmental Requirements

Limit temperature range	-60 ... +85 °C
-------------------------	----------------

The MCS – MULTI CONNECTION SYSTEM includes connectors without breaking capacity in accordance with DIN EN 61984. When used as intended, these connectors must not be connected/disconnected when live or under load. The circuit design should ensure header pins, which can be touched, are not live when unmated.

Ferrule	Page 879
Insulation stop	Page 727
Marking	Page 865
Strain relief	Page 729
Test and measurement	Page 725
Tool	Page 725, 870
Direct marking	Page 734
See technical section for further information	
For approvals and corresponding ratings, visit www.wago.com	

2-conductor female connector ▶ MCS MIDI Classic ▶ 231 Series

Pin spacing: 5 mm / 0.197 inch ▶ Actuation type: Operating tool ▶ Push-in CAGE CLAMP® ▶ Conductor entry direction to mating direction: 0° ▶ Color: gray

Locking of plug-in connection: Locking lever

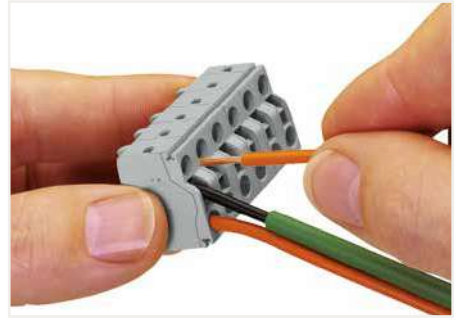


231-2106/026-000

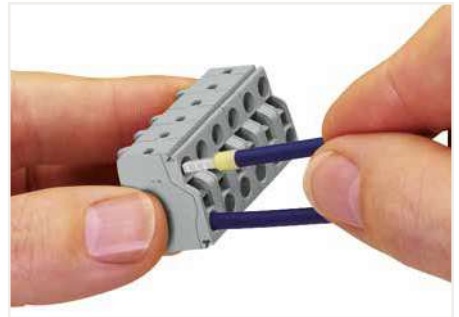
231-2106/037-000

Pole No.	Item No.	PU
2	231-2102/026-000	100
3	231-2103/026-000	100
4	231-2104/026-000	100
5	231-2105/026-000	50
6	231-2106/026-000	50
7	231-2107/026-000	50
8	231-2108/026-000	50
9	231-2109/026-000	50
10	231-2110/026-000	50
11	231-2111/026-000	25
12	231-2112/026-000	25
13	231-2113/026-000	25
14	231-2114/026-000	25
15	231-2115/026-000	25
16	231-2116/026-000	25

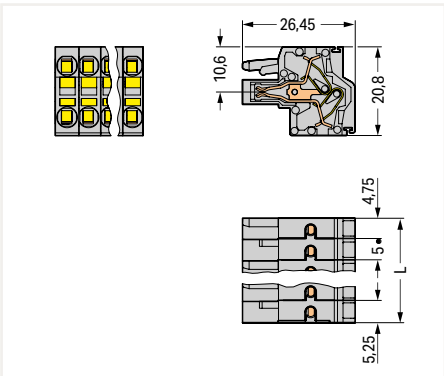
Pole No.	Item No.	PU
2	231-2102/037-000	100
3	231-2103/037-000	50
4	231-2104/037-000	50
5	231-2105/037-000	50
6	231-2106/037-000	50
7	231-2107/037-000	50
8	231-2108/037-000	25
9	231-2109/037-000	25
10	231-2110/037-000	25
11	231-2111/037-000	25
12	231-2112/037-000	25
13	231-2113/037-000	25
14	231-2114/037-000	25
15	231-2115/037-000	25
16	231-2116/037-000	10



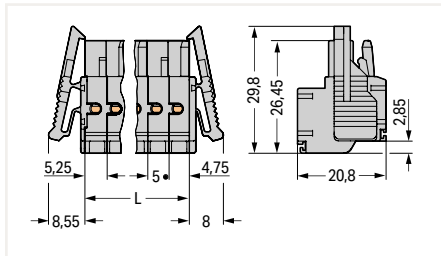
Operating Push-in CAGE CLAMP® is easy, fast and identical to that of CAGE CLAMP®. The screwdriver is fully inserted into the operating slot, holding Push-in CAGE CLAMP® open. After the conductor has been inserted into the clamping unit and the screwdriver been withdrawn, the conductor is clamped safely. Solid and fine-stranded conductors < 0.5 mm² (20 AWG) are terminated and removed using a screwdriver.



Solid conductors ≥ 0.5 mm² (20 AWG), as well as ferruled, fine-stranded conductors can be terminated by simply pushing them into unit. Integrated test ports allow touch contact with current bar via test probes in both horizontal and vertical directions.



$L = (\text{pole no.} - 2) \times \text{pin spacing} + 10 \text{ mm}$



$L = (\text{pole no.} - 2) \times \text{pin spacing} + 10 \text{ mm}$

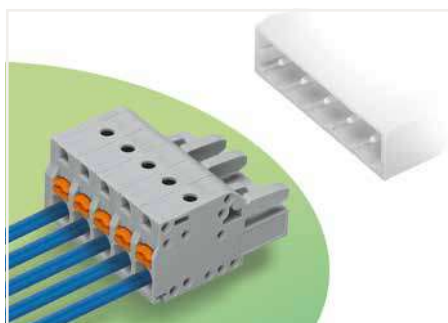
PU = Packaging Unit; SPU = Subpackaging Unit; Dimensions in mm

Other versions (or variants) can be requested from WAGO Sales or configured at <https://configurator.wago.com/>.

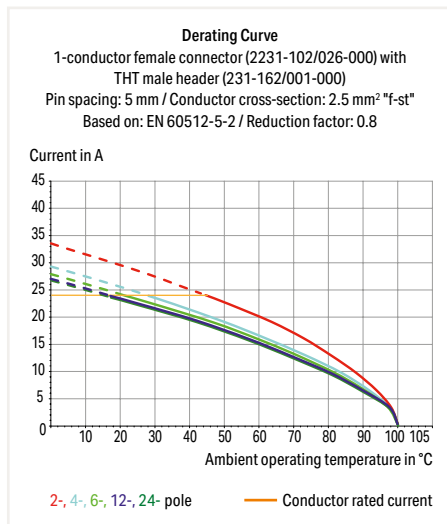
- Gold-plated or partially gold-plated contact surfaces

1-conductor female plug ▶ MCS MIDI Classic ▶ 2231 Series

Pin spacing: 5 mm / 0.197 inch ▶ Actuation type: Push-button ▶ Push-in CAGE CLAMP® ▶ Conductor entry direction to mating direction: 0° ▶ Color: gray



- Universal connection for all conductor types
- Easy-to-use design does not require specialty tools
- Ability to wire while mated
- Push-in termination of solid and ferruled conductors
- Integrated test ports for testing parallel to the conductor entry
- Coding option available



Electrical Data

Ratings per	IEC/EN 60664-1		
Overvoltage category	III	III	II
Pollution degree	3	2	2
Rated voltage	320 V	320 V	630 V
Rated impulse voltage	4 kV	4 kV	4 kV
Rated current	16 A	16 A	16 A
Approbations per	UL 1059		
Use group	B	C	D
Rated voltage	300 V	150 V	300 V
Rated current	15 A	15 A	10 A
Approbations per	UL 1977		
Rated voltage	600 V		
Rated current	15 A		
Approbations per	CSA		
Use group	B	C	D
Rated voltage	300 V	150 V	300 V
Rated current	15 A	15 A	10 A

Connection Data

Connection technology	Push-in CAGE CLAMP®
Strip length	10 ... 11 mm / 0.39 ... 0.43 inch
Solid conductor	0.2 ... 2.5 mm ² / 24 ... 12 AWG
Fine-stranded conductor	0.2 ... 2.5 mm ² / 24 ... 12 AWG
Fine-stranded conductor; with insulated ferrule	0.25 ... 1.5 mm ²
Fine-stranded conductor; with uninsulated ferrule	0.25 ... 2.5 mm ²

Material Data

Material group	I
Insulation material	Polyamide (PA66)
Flammability class per UL94	V0
Clamping spring material	Chrome nickel spring steel (CrNi)
Contact material	Copper alloy
Contact plating	Tin-plated

Environmental Requirements

Limit temperature range	-60 ... +100 °C
-------------------------	-----------------

The MCS – MULTI CONNECTION SYSTEM includes connectors without breaking capacity in accordance with DIN EN 61984. When used as intended, these connectors must not be connected/disconnected when live or under load. The circuit design should ensure header pins, which can be touched, are not live when unmated.

Ferrule	Page 879
Insulation stop	Page 727
Marking	Page 865
Mounting	Page 732, 869
Mounting adapter	Page 733
Strain relief	Page 729
Test and measurement	Page 725, 886
Tool	Page 870
Direct marking	Page 734
Cutout dimensions	Page 738
See technical section for further information	
For approvals and corresponding ratings, visit www.wago.com	

1-conductor female plug ▶ MCS MIDI Classic ▶ 2231 Series

Pin spacing: 5 mm / 0.197 inch ▶ Actuation type: Push-button ▶ Push-in CAGE CLAMP® ▶ Conductor entry direction to mating direction: 0° ▶ Color: gray

Plugging without loss of pin spacing

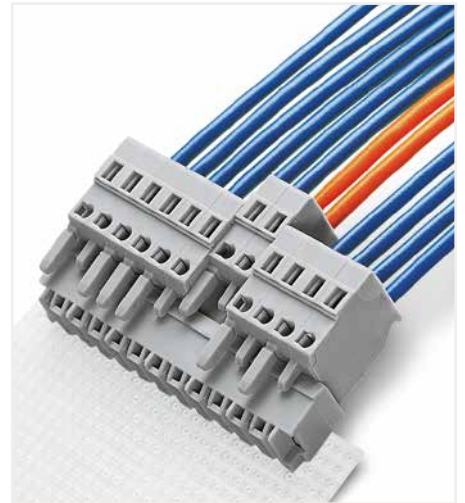


2231-106/026-000

2231-106/102-000

Pole No.	Item No.	PU
2	2231-102/026-000	100
3	2231-103/026-000	100
4	2231-104/026-000	100
5	2231-105/026-000	100
6	2231-106/026-000	50
7	2231-107/026-000	50
8	2231-108/026-000	50
9	2231-109/026-000	50
10	2231-110/026-000	50
11	2231-111/026-000	25
12	2231-112/026-000	25
13	2231-113/026-000	25
14	2231-114/026-000	25
15	2231-115/026-000	25
16	2231-116/026-000	25
17	2231-117/026-000	25
18	2231-118/026-000	25
19	2231-119/026-000	10
20	2231-120/026-000	10
21	2231-121/026-000	10
22	2231-122/026-000	10
23	2231-123/026-000	10
24	2231-124/026-000	10

Pole No.	Item No.	PU
2	2231-102/102-000	100
3	2231-103/102-000	100
4	2231-104/102-000	100
5	2231-105/102-000	100
6	2231-106/102-000	50
7	2231-107/102-000	50
8	2231-108/102-000	50
9	2231-109/102-000	50
10	2231-110/102-000	50
11	2231-111/102-000	25
12	2231-112/102-000	25
13	2231-113/102-000	25
14	2231-114/102-000	25
15	2231-115/102-000	25
16	2231-116/102-000	25
17	2231-117/102-000	25
18	2231-118/102-000	25
19	2231-119/102-000	10
20	2231-120/102-000	10
21	2231-121/102-000	10
22	2231-122/102-000	10
23	2231-123/102-000	10
24	2231-124/102-000	10

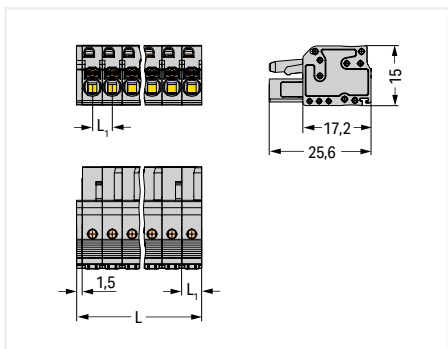


Total pole number for female connectors = pole number for male header

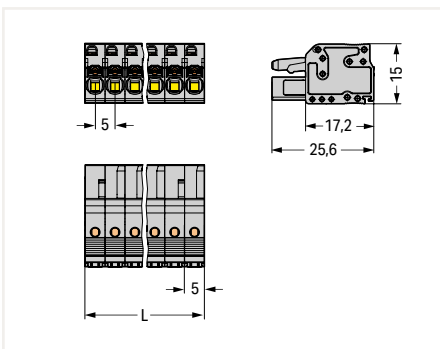


Female connectors with a built-in end plate require no extra space, while maintaining the nominal cross-section. This means: Total length of female connectors is reduced to "pole no. x pin spacing"!

9



L = (pole no. x pin spacing) + 1.5 mm
L₁ = 5 mm
2- to 3-pole female connectors – one latch only



L = pole no. x pin spacing
2- to 3-pole female connectors – one latch only

PU = Packaging Unit; SPU = Subpackaging Unit; Dimensions in mm

Other versions (or variants) can be requested from WAGO Sales or configured at <https://configurator.wago.com/>.

- Gold-plated or partially gold-plated contact surfaces

1-conductor female plug ▶ MCS MIDI Classic ▶ 2231 Series

Pin spacing: 5 mm / 0.197 inch ▶ Actuation type: Push-button ▶ Push-in CAGE CLAMP® ▶ Conductor entry direction to mating direction: 0° ▶ Color: gray

Locking of plug-in connection: Locking lever

Mounting type: Feed-through mounting; Panel mounting
▶ Mounting type: Mounting flange

Mounting type: Panel mounting ▶ Mounting type: Snap-in foot



2231-106/037-000



2231-106/031-000

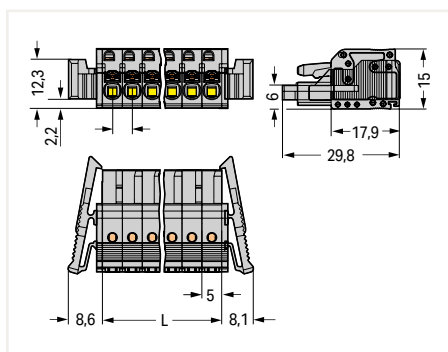


2231-106/008-000

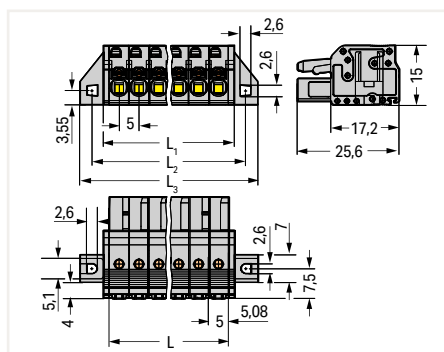
Pole No.	Item No.	PU
2	2231-102/037-000	100
3	2231-103/037-000	50
4	2231-104/037-000	50
5	2231-105/037-000	50
6	2231-106/037-000	50
7	2231-107/037-000	50
8	2231-108/037-000	25
9	2231-109/037-000	25
10	2231-110/037-000	25
11	2231-111/037-000	25
12	2231-112/037-000	25
13	2231-113/037-000	25
14	2231-114/037-000	25
15	2231-115/037-000	25
16	2231-116/037-000	10
17	2231-117/037-000	10
18	2231-118/037-000	10
19	2231-119/037-000	10
20	2231-120/037-000	10
21	2231-121/037-000	10
22	2231-122/037-000	10
23	2231-123/037-000	10
24	2231-124/037-000	10

Pole No.	Item No.	PU
2	2231-102/031-000	100
3	2231-103/031-000	50
4	2231-104/031-000	50
5	2231-105/031-000	50
6	2231-106/031-000	50
7	2231-107/031-000	50
8	2231-108/031-000	50
9	2231-109/031-000	25
10	2231-110/031-000	25
11	2231-111/031-000	25
12	2231-112/031-000	25
13	2231-113/031-000	25
14	2231-114/031-000	25
15	2231-115/031-000	25
16	2231-116/031-000	10
17	2231-117/031-000	10
18	2231-118/031-000	10
19	2231-119/031-000	10
20	2231-120/031-000	10
21	2231-121/031-000	10
22	2231-122/031-000	10
23	2231-123/031-000	10
24	2231-124/031-000	10

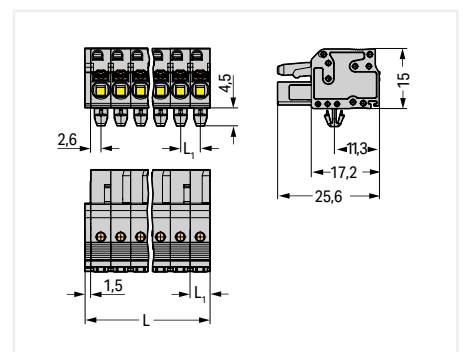
Pole No.	Item No.	PU
2	2231-102/008-000	100
3	2231-103/008-000	100
4	2231-104/008-000	100
5	2231-105/008-000	100
6	2231-106/008-000	50
7	2231-107/008-000	25
8	2231-108/008-000	50
9	2231-109/008-000	50
10	2231-110/008-000	50
11	2231-111/008-000	25
12	2231-112/008-000	25
13	2231-113/008-000	25
14	2231-114/008-000	25
15	2231-115/008-000	25
16	2231-116/008-000	25
17	2231-117/008-000	25
18	2231-118/008-000	25
19	2231-119/008-000	10
20	2231-120/008-000	10
21	2231-121/008-000	10
22	2231-122/008-000	10
23	2231-123/008-000	10
24	2231-124/008-000	10



L = pole no. x pin spacing
2- to 3-pole female connectors – one latch only



L = pole no. x pin spacing
L₁ = L + 2.8 mm
L₂ = L + 8.8 mm
L₃ = L + 14.8 mm
2- to 3-pole female connectors – one latch only



L = (pole no. x pin spacing) + 1.5 mm
L₁ = 5 mm
2- to 3-pole female connectors – one latch only

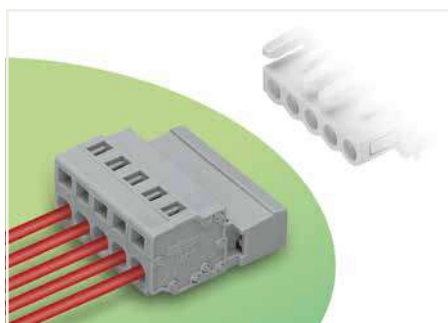
PU = Packaging Unit; SPU = Subpackaging Unit; Dimensions in mm

Other versions (or variants) can be requested from WAGO Sales or configured at <https://configurator.wago.com/>.

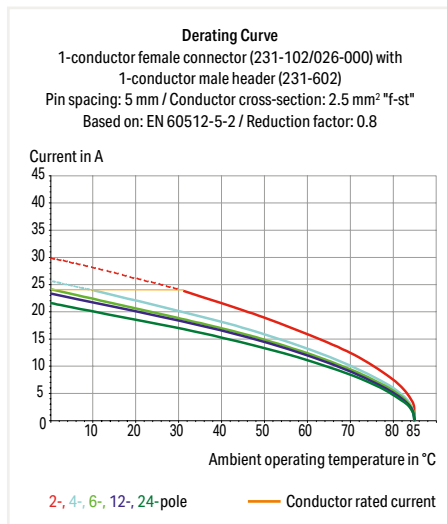
- Gold-plated or partially gold-plated contact surfaces

1-conductor male connector ▶ MCS MIDI Classic ▶ 231 Series

Pin spacing: 5 mm / 0.197 inch ▶ Actuation type: Operating tool ▶ CAGE CLAMP® ▶ Conductor entry direction to mating direction: 0° ▶ Color: gray



- Universal connection for all conductor types
- Easy cable pre-assembly and on-unit wiring via vertical and horizontal CAGE CLAMP® actuation
- For wire-to-wire and board-to-wire connections
- Versions available with snap-in mounting feet or flanges for panel or through-panel mounting
- With coding fingers

**Electrical Data**

Ratings per	IEC/EN 60664-1		
Overvoltage category	III	III	II
Pollution degree	3	2	2
Rated voltage	320 V	320 V	630 V
Rated impulse voltage	4 kV	4 kV	4 kV
Rated current	12 A	12 A	12 A
Approbations per	UL 1059		
Use group	B	C	D
Rated voltage	300 V	-	300 V
Rated current	15 A	-	10 A
Approbations per	UL 1977		
Rated voltage	600 V		
Rated current	15 A		
Approbations per	CSA		
Use group	B	C	D
Rated voltage	300 V	-	300 V
Rated current	15 A	-	10 A

Connection Data

Connection technology	CAGE CLAMP®
Strip length	8 ... 9 mm / 0.31 ... 0.35 inch
Solid conductor	0.08 ... 2.5 mm ² / 28 ... 12 AWG
Fine-stranded conductor	0.08 ... 2.5 mm ² / 28 ... 12 AWG
Fine-stranded conductor; with insulated ferrule	0.25 ... 1.5 mm ²
Fine-stranded conductor; with uninsulated ferrule	0.25 ... 2.5 mm ²

Material Data

Material group	I
Insulation material	Polyamide (PA66)
Flammability class per UL94	V0
Clamping spring material	Chrome nickel spring steel (CrNi)
Contact material	Electrolytic copper (E _{cu})
Contact plating	Tin-plated

Environmental Requirements

Limit temperature range	-60 ... +100 °C
-------------------------	-----------------

The MCS – MULTI CONNECTION SYSTEM includes connectors without breaking capacity in accordance with DIN EN 61984. When used as intended, these connectors must not be connected/disconnected when live or under load. The circuit design should ensure header pins, which can be touched, are not live when unmated.

Coding	Page 726
Ferrule	Page 879
General accessories	Page 727
Insulation stop	Page 727
Jumper	Page 733
Marking	Page 865
Mounting	Page 732, 869
Mounting adapter	Page 733
Strain relief	Page 730
Tool	Page 538, 870
Direct marking	Page 734
Cutout dimensions	Page 738

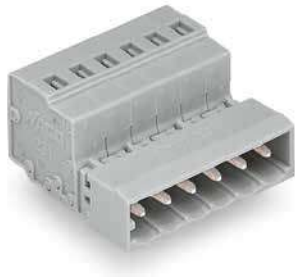
See technical section for further information

For approvals and corresponding ratings, visit www.wago.com

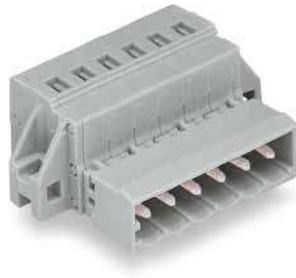
1-conductor male connector ▶ MCS MIDI Classic ▶ 231 Series

Pin spacing: 5 mm / 0.197 inch ▶ Actuation type: Operating tool ▶ CAGE CLAMP® ▶ Conductor entry direction to mating direction: 0° ▶ Color: gray

Mounting type: Feed-through mounting; Panel mounting
▶ Mounting type: Mounting flange

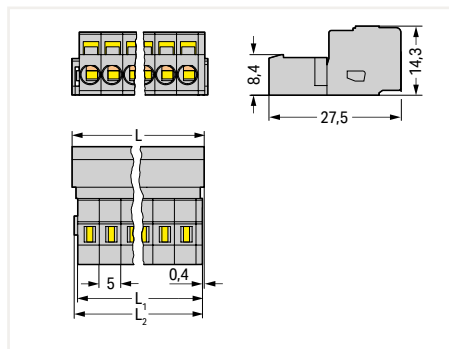


231-606

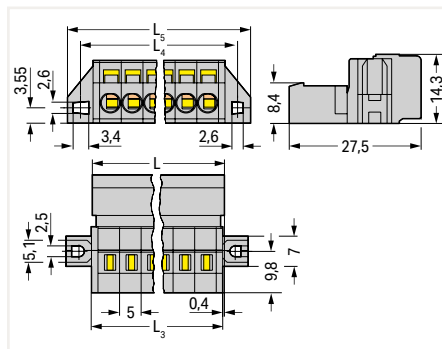


231-606/019-000

Pole No.	Item No.	PU	Pole No.	Item No.	PU
2	231-602	100	2	231-602/019-000	100
3	231-603	100	3	231-603/019-000	50
4	231-604	100	4	231-604/019-000	50
5	231-605	50	5	231-605/019-000	50
6	231-606	50	6	231-606/019-000	50
7	231-607	50	7	231-607/019-000	50
8	231-608	50	8	231-608/019-000	50
9	231-609	50	9	231-609/019-000	25
10	231-610	50	10	231-610/019-000	25
11	231-611	25	11	231-611/019-000	25
12	231-612	25	12	231-612/019-000	25
13	231-613	25	13	231-613/019-000	25
14	231-614	25	14	231-614/019-000	25
15	231-615	25	15	231-615/019-000	25
16	231-616	25	16	231-616/019-000	10
17	231-617	25	17	231-617/019-000	10
18	231-618	25	18	231-618/019-000	10
19	231-619	10	19	231-619/019-000	10
20	231-620	10	20	231-620/019-000	10
21	231-621	10	21	231-621/019-000	10
22	231-622	10	22	231-622/019-000	10
23	231-623	10	23	231-623/019-000	10
24	231-624	10	24	231-624/019-000	10



L = (pole no. - 1) x pin spacing + 8.2 mm
L₁ = L - 1.7 mm
L₂ = L - 1.2 mm



L = (pole no. - 1) x pin spacing + 8.2 mm
L₃ = L - 0.2 mm
L₄ = L₃ + 5.8 mm
L₅ = L₃ + 11.8 mm

PU = Packaging Unit; SPU = Subpackaging Unit; Dimensions in mm

Other versions (or variants) can be requested from WAGO Sales or configured at <https://configurator.wago.com/>.

- Other pole numbers
- Gold-plated or partially gold-plated contact surfaces

1-conductor male connector ▶ MCS MIDI Classic ▶ 231 Series

Pin spacing: 5 mm / 0.197 inch ▶ Actuation type: Operating tool ▶ CAGE CLAMP® ▶ Conductor entry direction to mating direction: 0° ▶ Color: gray

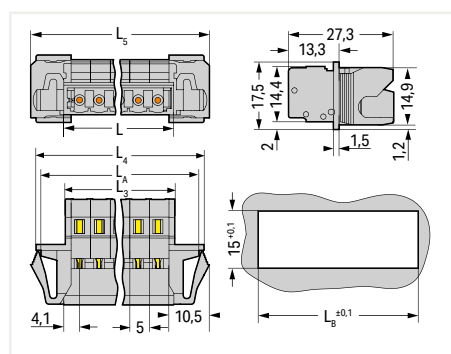
Mounting type: Feed-through mounting ▶ Mounting type: Snap-in



231-606/114-000

Male connector, with snap-in flanges, for feedthrough applications, for 0.5 ... 2.5 mm plate thickness

Pole No.	Item No.	PU
2	231-602/114-000	50
3	231-603/114-000	50
4	231-604/114-000	50
5	231-605/114-000	50
6	231-606/114-000	50
7	231-607/114-000	25
8	231-608/114-000	25
9	231-609/114-000	25
10	231-610/114-000	25
11	231-611/114-000	25
12	231-612/114-000	25
13	231-613/114-000	25
14	231-614/114-000	25
15	231-615/114-000	10
16	231-616/114-000	10
17	231-617/114-000	10
18	231-618/114-000	10
19	231-619/114-000	10
20	231-620/114-000	10
21	231-621/114-000	10
22	231-622/114-000	10
23	231-623/114-000	10
24	231-624/114-000	10



$L = (\text{pole no.} \times \text{pin spacing}) + 3.2 \text{ mm}$

$L_3 = L - 0.2 \text{ mm}$

$L_4 = L_3 + 15.2 \text{ mm}$

$L_5 = L_3 + 18 \text{ mm}$

$L_6 = L_3 + 12.6 \text{ mm}$

$L_8 = L_3 + 13.2 \text{ mm}$

PU = Packaging Unit; SPU = Subpackaging Unit; Dimensions in mm

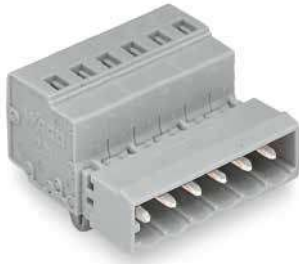
Other versions (or variants) can be requested from WAGO Sales or configured at <https://configurator.wago.com/>.

- Other pole numbers
- Gold-plated or partially gold-plated contact surfaces

1-conductor male connector ▶ MCS MIDI Classic ▶ 231 Series

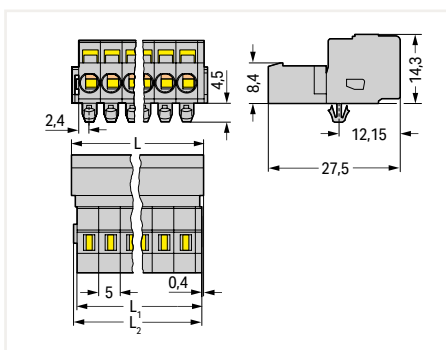
Pin spacing: 5 mm / 0.197 inch ▶ Actuation type: Operating tool ▶ CAGE CLAMP® ▶ Conductor entry direction to mating direction: 0° ▶ Color: gray

Mounting type: Panel mounting ▶ Mounting type: Snap-in foot



231-606/018-000

Pole No.	Item No.	PU
2	231-602/018-000	100
3	231-603/018-000	100
4	231-604/018-000	100
5	231-605/018-000	50
6	231-606/018-000	50
7	231-607/018-000	50
8	231-608/018-000	50
9	231-609/018-000	50
10	231-610/018-000	50
11	231-611/018-000	25
12	231-612/018-000	25
13	231-613/018-000	25
14	231-614/018-000	25
15	231-615/018-000	25
16	231-616/018-000	25
17	231-617/018-000	25
18	231-618/018-000	25
19	231-619/018-000	10
20	231-620/018-000	10
21	231-621/018-000	10
22	231-622/018-000	10
23	231-623/018-000	10
24	231-624/018-000	10



$L = (\text{pole no.} - 1) \times \text{pin spacing} + 8.2 \text{ mm}$

$L_1 = L - 1.7 \text{ mm}$

$L_2 = L - 1.2 \text{ mm}$

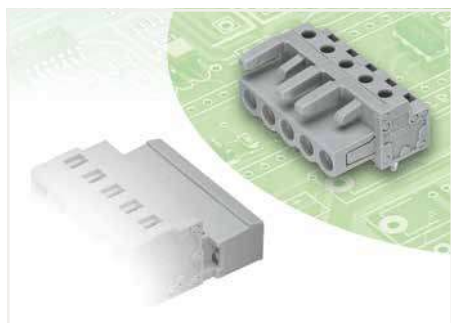
PU = Packaging Unit; SPU = Subpackaging Unit; Dimensions in mm

Other versions (or variants) can be requested from WAGO Sales or configured at <https://configurator.wago.com/>.

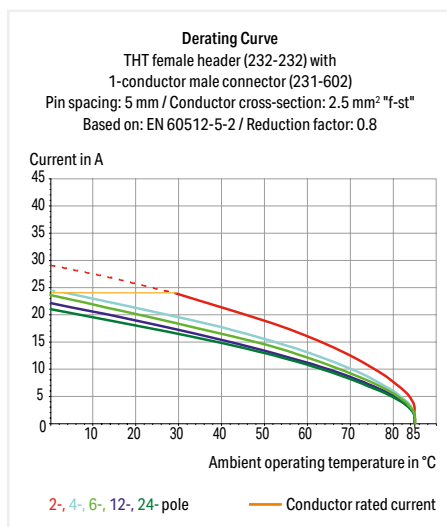
- Other pole numbers
- Gold-plated or partially gold-plated contact surfaces

THT female header ▶ MCS MIDI Classic ▶ 232 Series

Pin spacing: 5 mm / 0.197 inch ▶ Solder pin dimensions: 0.6 x 1 mm ▶ Color: gray



- Horizontal or vertical PCB mounting via straight or angled solder pins
- For board-to-board and board-to-wire connections
- Touch-proof PCB outputs
- Easy-to-identify PCB inputs and outputs
- With coding fingers



Electrical Data

Ratings per	IEC/EN 60664-1		
Overtoltage category	III	III	II
Pollution degree	3	2	2
Rated voltage	320 V	320 V	630 V
Rated impulse voltage	4 kV	4 kV	4 kV
Rated current	12 A	12 A	12 A
Approbations per	UL 1059		
Use group	B	C	D
Rated voltage	300 V	-	300 V
Rated current	15 A	-	10 A
Approbations per	UL 1977		
Rated voltage	600 V		
Rated current	15 A		
Approbations per	CSA		
Use group	B	C	D
Rated voltage	300 V	-	300 V
Rated current	15 A	-	10 A

Material Data

Material group	I
Insulation material	Polyamide (PA66)
Flammability class per UL94	V0
Contact material	Copper alloy
Contact plating	Tin-plated

Mechanical Data

Solder pin arrangement	Over the entire female connector (in-line)
Solder pin length	5 mm
Solder pin dimensions	0.6 x 1 mm
Drilled hole diameter with tolerance	1.3 ^(±0.1) mm

Environmental Requirements

Limit temperature range	-60 ... +85 °C
-------------------------	----------------

The MCS – MULTI CONNECTION SYSTEM includes connectors without breaking capacity in accordance with DIN EN 61984. When used as intended, these connectors must not be connected/disconnected when live or under load. The circuit design should ensure header pins, which can be touched, are not live when unmated.

Mounting Page 869

Test and measurement Page 725, 886

Cutout dimensions Page 738

See technical section for further information

For approvals and corresponding ratings, visit www.wago.com

THT female header ▶ MCS MIDI Classic ▶ 232 Series

Pin spacing: 5 mm / 0.197 inch ▶ Solder pin dimensions: 0.6 x 1 mm ▶ Color: gray

Mating direction to the PCB: 0°

Mating direction to the PCB: 90°

Locking of plug-in connection: Locking lever ▶ Mating direction to the PCB: 0°



232-136

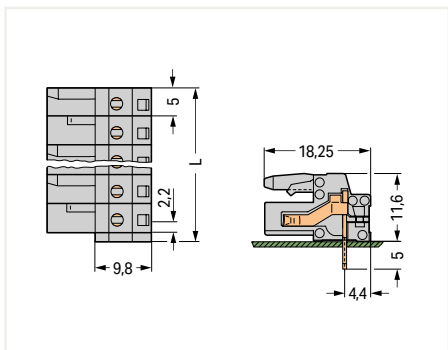
232-236/039-000

Pole No.	Item No.	PU
2	232-232	200
3	232-233	100
4	232-234	100
5	232-235	100
6	232-236	50
7	232-237	50
8	232-238	50
9	232-239	50
10	232-240	50
11	232-241	25
12	232-242	25
13	232-243	25
14	232-244	25
15	232-245	25
16	232-246	25
17	232-247	25
18	232-248	25
19	232-249	10
20	232-250	10
21	232-251	10
22	232-252	10
23	232-253	10
24	232-254	10

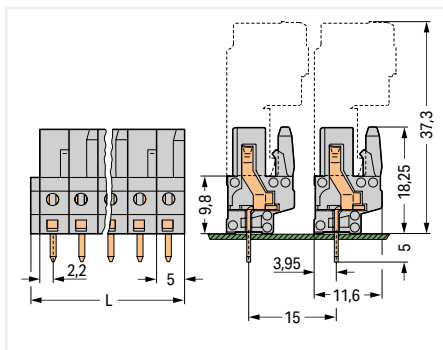
Pole No.	Item No.	PU
2	232-132	100
3	232-133	100
4	232-134	100
5	232-135	100
6	232-136	50
7	232-137	50
8	232-138	50
9	232-139	50
10	232-140	50
11	232-141	25
12	232-142	25
13	232-143	25
14	232-144	25
15	232-145	25
16	232-146	25
17	232-147	25
18	232-148	25
19	232-149	10
20	232-150	10
21	232-151	10
22	232-152	10
23	232-153	10
24	232-154	10

Pole No.	Item No.	PU
2	232-232/039-000	100
3	232-233/039-000	50
4	232-234/039-000	50
5	232-235/039-000	50
6	232-236/039-000	50
7	232-237/039-000	50
8	232-238/039-000	50
9	232-239/039-000	25
10	232-240/039-000	25
11	232-241/039-000	25
12	232-242/039-000	25
13	232-243/039-000	25
14	232-244/039-000	25
15	232-245/039-000	25
16	232-246/039-000	10
17	232-247/039-000	10
18	232-248/039-000	10
19	232-249/039-000	10
20	232-250/039-000	10
21	232-251/039-000	10
22	232-252/039-000	10
23	232-253/039-000	10
24	232-254/039-000	10

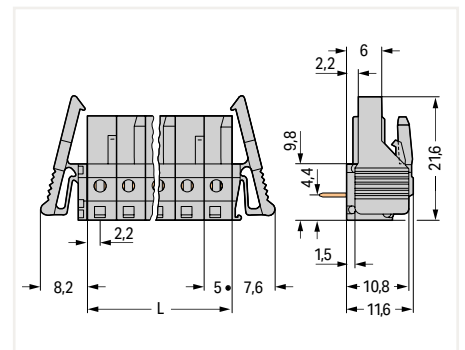
9



L = (pole no. x pin spacing) + 1.5 mm
Distance to first solder pin: 2.2 mm
2- to 3-pole female connectors – one latch only



L = (pole no. x pin spacing) + 1.5 mm
2- to 3-pole female connectors – one latch only



L = pole no. x pin spacing
Distance to first solder pin: 2.2 mm
2- to 3-pole female connectors – one latch only

PU = Packaging Unit; SPU = Subpackaging Unit; Dimensions in mm

Other versions (or variants) can be requested from WAGO Sales or configured at <https://configurator.wago.com/>.

- Other pole numbers
- 3.8 mm pin projection for male headers with straight solder pins
- Gold-plated or partially gold-plated contact surfaces

THT female header ▶ MCS MIDI Classic ▶ 232 Series

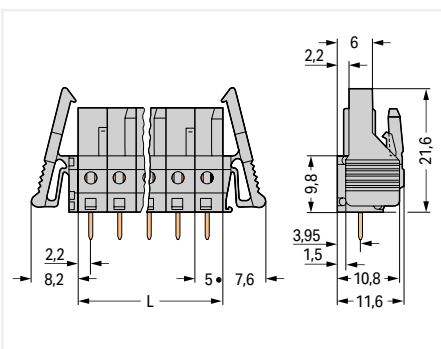
Pin spacing: 5 mm / 0.197 inch ▶ Solder pin dimensions: 0.6 x 1 mm ▶ Color: gray

Locking of plug-in connection: Locking lever ▶ Mating direction to the PCB: 90°



232-136/039-000

Pole No.	Item No.	PU
2	232-132/039-000	100
3	232-133/039-000	50
4	232-134/039-000	50
5	232-135/039-000	50
6	232-136/039-000	50
7	232-137/039-000	50
8	232-138/039-000	50
9	232-139/039-000	25
10	232-140/039-000	25
11	232-141/039-000	25
12	232-142/039-000	25
13	232-143/039-000	25
14	232-144/039-000	25
15	232-145/039-000	25
16	232-146/039-000	10
17	232-147/039-000	10
18	232-148/039-000	10
19	232-149/039-000	10
20	232-150/039-000	10
21	232-151/039-000	10
22	232-152/039-000	10
23	232-153/039-000	10



L = pole no. x pin spacing
 2- to 3-pole female connectors – one latch only

PU = Packaging Unit; SPU = Subpackaging Unit; Dimensions in mm

Other versions (or variants) can be requested from WAGO Sales or configured at <https://configurator.wago.com/>.

- Other pole numbers
- 3.8 mm pin projection for male headers with straight solder pins
- Gold-plated or partially gold-plated contact surfaces

THT female header ▶ MCS MIDI Classic ▶ 232 Series

Pin spacing: 5 mm / 0.197 inch ▶ Solder pin dimensions: 0.6 x 1 mm ▶ Color: gray

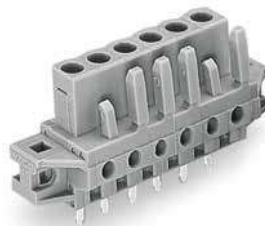
Mounting type: Feed-through mounting; Panel mounting ▶ Mounting type: Mounting flange

Mating direction to the PCB: 0°

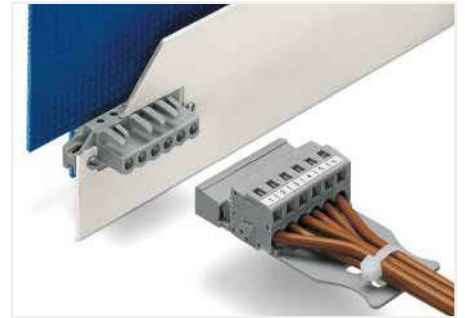
Mating direction to the PCB: 90°



232-236/031-000



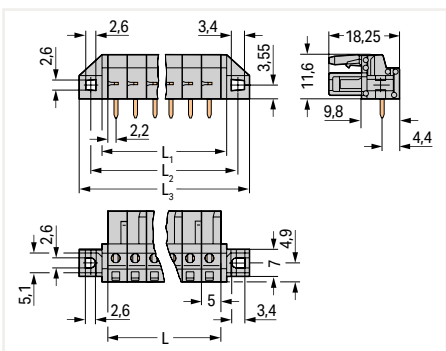
232-136/031-000



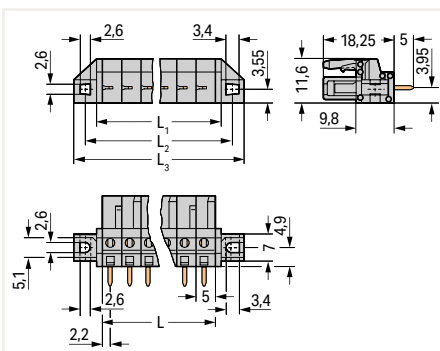
The innovative flange design provides standard panel mounting options or various through-panel mounting configurations. Depending on the type of application and flange, female headers can be used either for through-panel or flush mounted applications.

Pole No.	Item No.	PU
2	232-232/031-000	100
3	232-233/031-000	50
4	232-234/031-000	50
5	232-235/031-000	50
6	232-236/031-000	50
7	232-237/031-000	50
8	232-238/031-000	50
9	232-239/031-000	25
10	232-240/031-000	25
11	232-241/031-000	25
12	232-242/031-000	25
13	232-243/031-000	25
14	232-244/031-000	25
15	232-245/031-000	25
16	232-246/031-000	10
17	232-247/031-000	10
18	232-248/031-000	10
19	232-249/031-000	10
20	232-250/031-000	10
21	232-251/031-000	10
22	232-252/031-000	10
23	232-253/031-000	10
24	232-254/031-000	10

Pole No.	Item No.	PU
2	232-132/031-000	100
3	232-133/031-000	50
4	232-134/031-000	50
5	232-135/031-000	50
6	232-136/031-000	50
7	232-137/031-000	50
8	232-138/031-000	50
9	232-139/031-000	25
10	232-140/031-000	25
11	232-141/031-000	25
12	232-142/031-000	25
13	232-143/031-000	25
14	232-144/031-000	25
15	232-145/031-000	25
16	232-146/031-000	10
17	232-147/031-000	10
18	232-148/031-000	10
19	232-149/031-000	10
20	232-150/031-000	10
21	232-151/031-000	10
22	232-152/031-000	10
23	232-153/031-000	10
24	232-154/031-000	10



L = pole no. x pin spacing
 $L_1 = L + 3$ mm
 $L_2 = L + 8.8$ mm
 $L_3 = L + 14.8$ mm
 2- to 3-pole female connectors – one latch only



L = pole no. x pin spacing
 $L_1 = L + 3$ mm
 $L_2 = L + 8.8$ mm
 $L_3 = L + 14.8$ mm
 2- to 3-pole female connectors – one latch only

PU = Packaging Unit; SPU = Subpackaging Unit; Dimensions in mm

Other versions (or variants) can be requested from WAGO Sales or configured at <https://configurator.wago.com/>.

- Other pole numbers
- 3.8 mm pin projection for male headers with straight solder pins
- Gold-plated or partially gold-plated contact surfaces

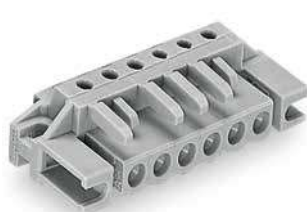
THT female header ▶ MCS MIDI Classic ▶ 232 Series

Pin spacing: 5 mm / 0.197 inch ▶ Solder pin dimensions: 0.6 x 1 mm ▶ Color: gray

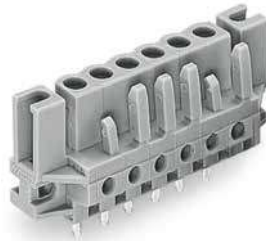
Mounting type: Flush feed-through mounting; Panel mounting ▶ Mounting type: Mounting flange

Mating direction to the PCB: 0°

Mating direction to the PCB: 90°



232-236/047-000



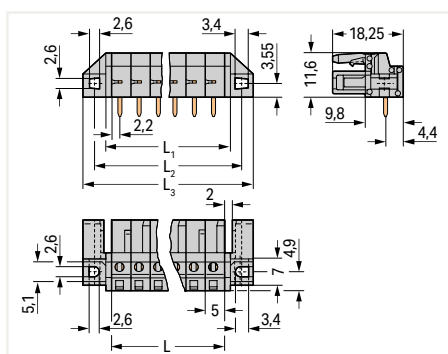
232-136/047-000



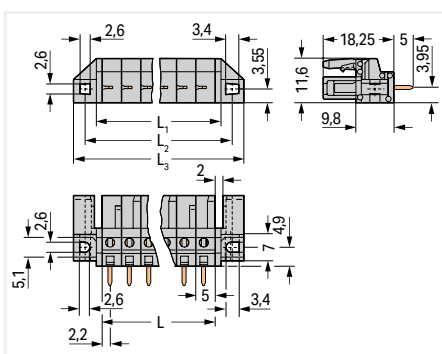
The innovative flange design provides standard panel mounting options or various through-panel mounting configurations. Depending on the type of application and flange, female headers can be used either for through-panel or flush mounted applications.

Pole No.	Item No.	PU
2	232-232/047-000	100
3	232-233/047-000	50
4	232-234/047-000	50
5	232-235/047-000	50
6	232-236/047-000	50
7	232-237/047-000	50
8	232-238/047-000	50
9	232-239/047-000	25
10	232-240/047-000	25
11	232-241/047-000	25
12	232-242/047-000	25
13	232-243/047-000	25
14	232-244/047-000	25
15	232-245/047-000	25
16	232-246/047-000	10
17	232-247/047-000	10
18	232-248/047-000	10
19	232-249/047-000	10
20	232-250/047-000	10
21	232-251/047-000	10
22	232-252/047-000	10
23	232-253/047-000	10
24	232-254/047-000	10

Pole No.	Item No.	PU
2	232-132/047-000	100
3	232-133/047-000	50
4	232-134/047-000	50
5	232-135/047-000	50
6	232-136/047-000	50
7	232-137/047-000	50
8	232-138/047-000	50
9	232-139/047-000	25
10	232-140/047-000	25
11	232-141/047-000	25
12	232-142/047-000	25
13	232-143/047-000	25
14	232-144/047-000	25
15	232-145/047-000	25
16	232-146/047-000	10
17	232-147/047-000	10
18	232-148/047-000	10
19	232-149/047-000	10
20	232-150/047-000	10
21	232-151/047-000	10
22	232-152/047-000	10
23	232-153/047-000	10
24	232-154/047-000	10



L = pole no. x pin spacing
 $L_1 = L + 3$ mm
 $L_2 = L + 8.8$ mm
 $L_3 = L + 14.8$ mm
 2- to 3-pole female connectors – one latch only



L = pole no. x pin spacing
 $L_1 = L + 3$ mm
 $L_2 = L + 8.8$ mm
 $L_3 = L + 14.8$ mm
 2- to 3-pole female connectors – one latch only

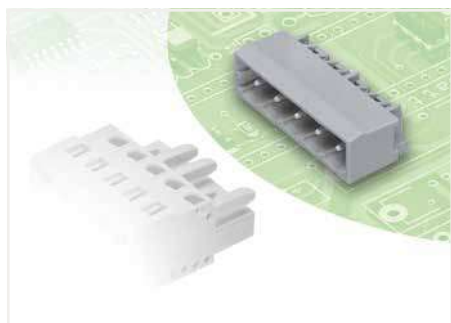
PU = Packaging Unit; SPU = Subpackaging Unit; Dimensions in mm

Other versions (or variants) can be requested from WAGO Sales or configured at <https://configurator.wago.com/>.

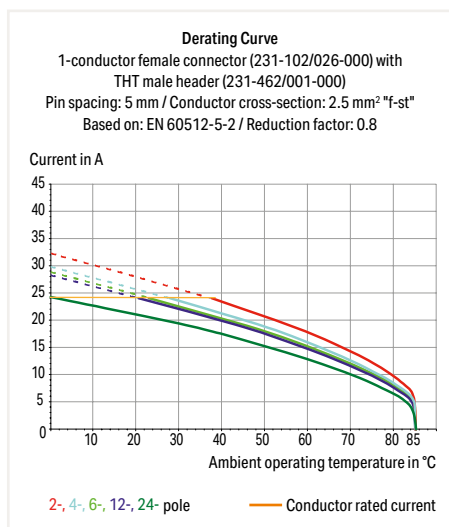
- Other pole numbers
- 3.8 mm pin projection for male headers with straight solder pins
- Gold-plated or partially gold-plated contact surfaces

THT male header ▶ MCS MIDI Classic ▶ 231 Series

Pin spacing: 5 mm / 0.197 inch ▶ Solder pin dimensions: 1 x 1 mm ▶ Color: gray



- Horizontal or vertical PCB mounting via straight or angled solder pins
- Pin cross-section: 1 x 1 mm
- With coding fingers



Electrical Data

Ratings per	IEC/EN 60664-1		
Overvoltage category	III	III	II
Pollution degree	3	2	2
Rated voltage	320 V	320 V	630 V
Rated impulse voltage	4 kV	4 kV	4 kV
Rated current	12 A	12 A	12 A
Approbations per	UL 1059		
Use group	B	C	D
Rated voltage	300 V	-	300 V
Rated current	10 A	-	10 A
Approbations per	UL 1977		
Rated voltage	600 V		
Rated current	10 A		
Approbations per	CSA		
Use group	B	C	D
Rated voltage	300 V	-	300 V
Rated current	10 A	-	10 A

Material Data

Material group	I
Insulation material	Polyamide (PA66)
Flammability class per UL94	V0
Contact material	Electrolytic copper (E _{cu})
Contact plating	Tin-plated

Mechanical Data

Solder pin arrangement	Over the entire male connector (in-line)
Solder pin dimensions	1 x 1 mm
Drilled hole diameter with tolerance	1.4 ^(+0.1) mm

Environmental Requirements

Limit temperature range	-60 ... +100 °C
-------------------------	-----------------

The MCS – MULTI CONNECTION SYSTEM includes connectors without breaking capacity in accordance with DIN EN 61984. When used as intended, these connectors must not be connected/disconnected when live or under load. The circuit design should ensure header pins, which can be touched, are not live when unmated.

Coding Page 726

Mounting Page 869

Cutout dimensions Page 738

See technical section for further information

For approvals and corresponding ratings, visit www.wago.com

THT male header ▶ MCS MIDI Classic ▶ 231 Series

Pin spacing: 5 mm / 0.197 inch ▶ Solder pin dimensions: 1 x 1 mm ▶ Color: gray

Mating direction to the PCB: 0° ▶ Solder pin length: 3.8 mm

Mating direction to the PCB: 90° ▶ Solder pin length: 5 mm

Mounting type: Feed-through mounting; Panel mounting
 ▶ Mounting type: Mounting flange ▶ Mating direction to the PCB: 0° ▶ Solder pin length: 3.8 mm



231-436/001-000

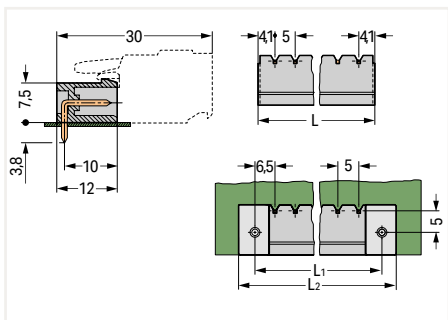
231-136/001-000

231-436/040-000

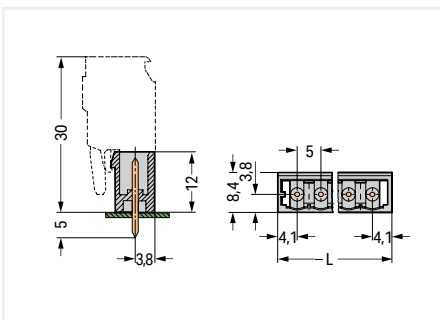
Pole No.	Item No.	PU
2	231-432/001-000	200
3	231-433/001-000	200
4	231-434/001-000	200
5	231-435/001-000	200
6	231-436/001-000	100
7	231-437/001-000	100
8	231-438/001-000	100
9	231-439/001-000	100
10	231-440/001-000	100
11	231-441/001-000	100
12	231-442/001-000	100
13	231-443/001-000	50
14	231-444/001-000	50
15	231-445/001-000	50
16	231-446/001-000	50
17	231-447/001-000	50
18	231-448/001-000	50
19	231-449/001-000	50
20	231-450/001-000	50
21	231-451/001-000	50
22	231-452/001-000	50
23	231-453/001-000	50
24	231-454/001-000	50

Pole No.	Item No.	PU
2	231-132/001-000	200
3	231-133/001-000	200
4	231-134/001-000	200
5	231-135/001-000	200
6	231-136/001-000	100
7	231-137/001-000	100
8	231-138/001-000	100
9	231-139/001-000	100
10	231-140/001-000	100
11	231-141/001-000	100
12	231-142/001-000	100
13	231-143/001-000	50
14	231-144/001-000	50
15	231-145/001-000	50
17	231-147/001-000	50
18	231-148/001-000	50
19	231-149/001-000	50
20	231-150/001-000	50
21	231-151/001-000	50
22	231-152/001-000	50
23	231-153/001-000	50
24	231-154/001-000	50

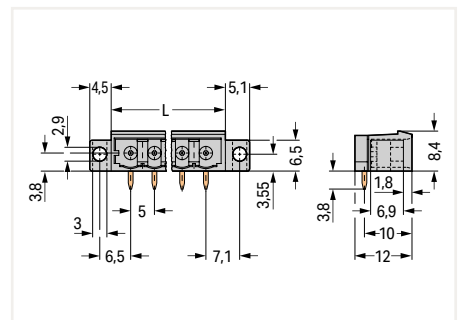
Pole No.	Item No.	PU
2	231-432/040-000	200
3	231-433/040-000	200
5	231-435/040-000	100
6	231-436/040-000	100
14	231-444/040-000	50



L = (pole no. - 1) x pin spacing + 8.2 mm
 L₁ = L + 5 mm
 L₂ = L₁ + 7.4 mm



L = (pole no. - 1) x pin spacing + 8.2 mm



L = (pole no. - 1) x pin spacing + 8.2 mm

PU = Packaging Unit; SPU = Subpackaging Unit; Dimensions in mm

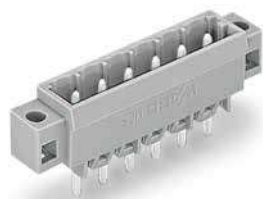
Other versions (or variants) can be requested from WAGO Sales or configured at <https://configurator.wago.com/>.

- Other pole numbers
- 3.8 mm pin projection for male headers with straight solder pins
- Gold-plated or partially gold-plated contact surfaces

THT male header ▶ MCS MIDI Classic ▶ 231 Series

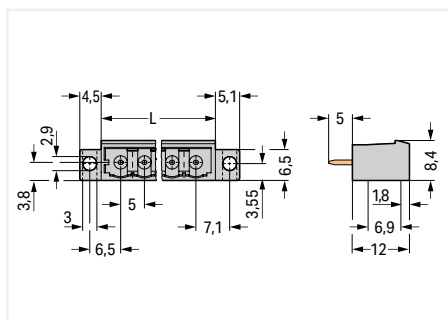
Pin spacing: 5 mm / 0.197 inch ▶ Solder pin dimensions: 1 x 1 mm ▶ Color: gray

Mounting type: Feed-through mounting; Panel mounting
 ▶ Mounting type: Mounting flange ▶ Mating direction to the PCB: 90° ▶ Solder pin length: 5 mm



231-136/040-000

Pole No.	Item No.	PU
2	231-132/040-000	200
3	231-133/040-000	200
5	231-135/040-000	100
6	231-136/040-000	100
14	231-144/040-000	50



$$L = (\text{pole no.} - 1) \times \text{pin spacing} + 8.2 \text{ mm}$$

PU = Packaging Unit; SPU = Subpackaging Unit; Dimensions in mm

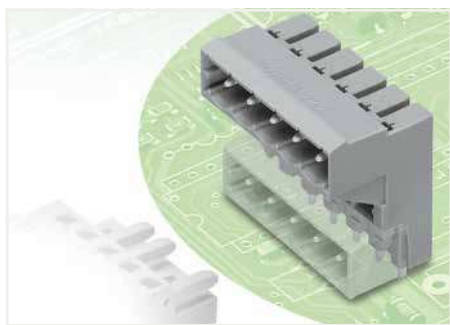
Other versions (or variants) can be requested from WAGO Sales or configured at <https://configurator.wago.com/>.

- Other pole numbers
- 3.8 mm pin projection for male headers with straight solder pins
- Gold-plated or partially gold-plated contact surfaces

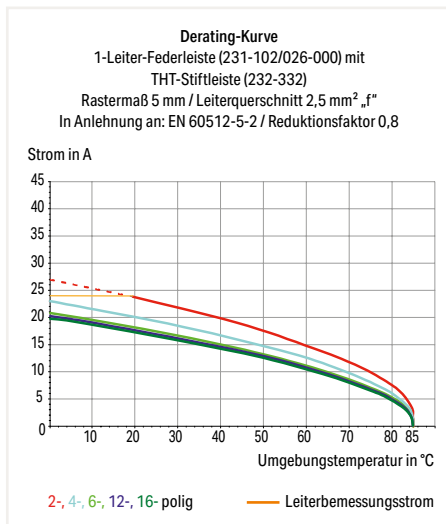
THT male header for double-deck assembly ▶ MCS MIDI Classic ▶ 232 Series

Pin spacing: 5 mm / 0.197 inch ▶ Solder pin dimensions: 1 x 1 mm ▶ Mating direction to the PCB:

0° ▶ Solder pin length: 5 mm ▶ Color: gray



- Male headers for double-deck assembly provide high-density wiring for wire-to-board connections
- Horizontal PCB mounting
- Double-deck design allows male or female headers with angled solder pins to be placed on the lower deck
- Coding option available

**Electrical Data**

Ratings per		IEC/EN 60664-1		
Overvoltage category	III	III	II	
Pollution degree	3	2	2	
Rated voltage	320 V	320 V	630 V	
Rated impulse voltage	4 kV	4 kV	4 kV	
Rated current	12 A	12 A	12 A	
Approbations per		UL 1059		
Use group	B	C	D	
Rated voltage	300 V	-	300 V	
Rated current	10 A	-	10 A	
Approbations per		UL 1977		
Rated voltage	600 V			
Rated current	10 A			
Approbations per		CSA		
Use group	B	C	D	
Rated voltage	300 V	-	300 V	
Rated current	10 A	-	10 A	

Material Data

Material group	I
Insulation material	Polyamide (PA66)
Flammability class per UL94	V0
Contact material	Electrolytic copper (E _{cu})
Contact plating	Tin-plated

Mechanical Data

Solder pin arrangement	Over the entire male connector (in-line)
Solder pin length	5 mm
Solder pin dimensions	1 x 1 mm
Drilled hole diameter with tolerance	1.4 ^(+0.1) mm

Environmental Requirements

Limit temperature range	-60 ... +100 °C
-------------------------	-----------------

The MCS – MULTI CONNECTION SYSTEM includes connectors without breaking capacity in accordance with DIN EN 61984. When used as intended, these connectors must not be connected/disconnected when live or under load. The circuit design should ensure header pins, which can be touched, are not live when unmated.

Coding Page 726

See technical section for further information

For approvals and corresponding ratings, visit www.wago.com

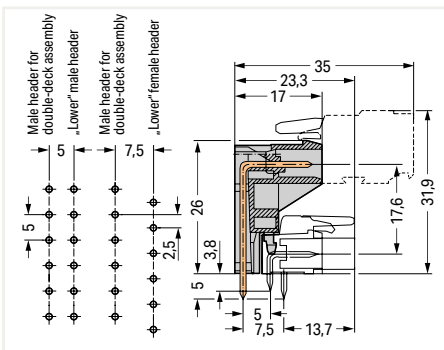
THT male header for double-deck assembly ▶ MCS MIDI Classic ▶ 232 Series

Pin spacing: 5 mm / 0.197 inch ▶ Solder pin dimensions: 1 x 1 mm ▶ Mating direction to the PCB:
0° ▶ Solder pin length: 5 mm ▶ Color: gray



232-336

Pole No.	Item No.	PU
2	232-332	100
3	232-333	100
4	232-334	100
5	232-335	100
6	232-336	50
7	232-337	50
8	232-338	50
10	232-340	50
12	232-342	50
16	232-346	25



Length = (pole no. - 1) x pin spacing + 8.2 mm
 The solder pins of the "lower" male headers are in line.
 The solder pins of the "lower" female headers are staggered by half a pin spacing.

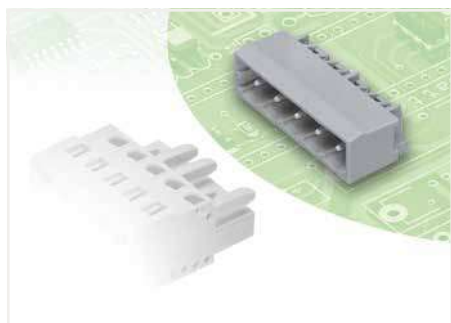
PU = Packaging Unit; SPU = Subpackaging Unit; Dimensions in mm

Other versions (or variants) can be requested from WAGO Sales or configured at <https://configurator.wago.com/>.

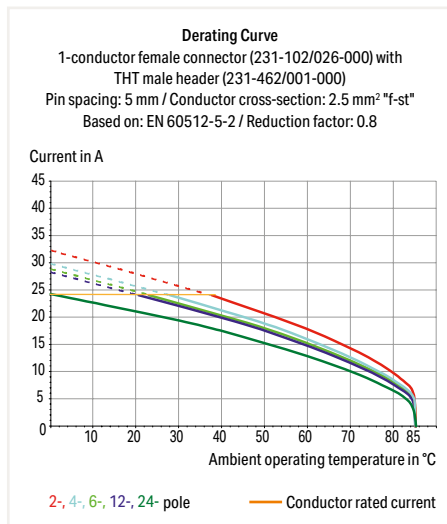
- Other pole numbers
- Gold-plated or partially gold-plated contact surfaces

THT male header ▶ MCS MIDI Classic ▶ 231 Series

Pin spacing: 5 mm / 0.197 inch ▶ Solder pin dimensions: 1.2 x 1.2 mm ▶ Color: gray



- Horizontal or vertical PCB mounting via straight or angled solder pins
- 1.2 x 1.2 mm solder pins allow nominal current up to 16 A, enhancing stability of shorter headers
- With coding fingers



Electrical Data

Ratings per	IEC/EN 60664-1		
Overvoltage category	III	III	II
Pollution degree	3	2	2
Rated voltage	250 V	320 V	630 V
Rated impulse voltage	4 kV	4 kV	4 kV
Rated current	16 A	16 A	16 A
Approbations per	UL 1059		
Use group	B	C	D
Rated voltage	300 V	-	300 V
Rated current	15 A	-	10 A
Approbations per	UL 1977		
Rated voltage	600 V		
Rated current	15 A		
Approbations per	CSA		
Use group	B	C	D
Rated voltage	300 V	-	300 V
Rated current	15 A	-	10 A

Material Data

Material group	I
Insulation material	Polyamide (PA66)
Flammability class per UL94	V0
Contact material	Electrolytic copper (E _{cu})
Contact plating	Tin-plated

Mechanical Data

Solder pin arrangement	Over the entire male connector (in-line)
Solder pin dimensions	1.2 x 1.2 mm
Drilled hole diameter with tolerance	1.7 ^(+0.1) mm

Environmental Requirements

Limit temperature range	-60 ... +100 °C
-------------------------	-----------------

The MCS – MULTI CONNECTION SYSTEM includes connectors without breaking capacity in accordance with DIN EN 61984. When used as intended, these connectors must not be connected/disconnected when live or under load. The circuit design should ensure header pins, which can be touched, are not live when unmated.

Coding Page 726

Mounting Page 869

Cutout dimensions Page 738

See technical section for further information

For approvals and corresponding ratings, visit www.wago.com

THT male header ▶ MCS MIDI Classic ▶ 231 Series

Pin spacing: 5 mm / 0.197 inch ▶ Solder pin dimensions: 1.2 x 1.2 mm ▶ Color: gray

Mating direction to the PCB: 0° ▶ Solder pin length: 3.8 mm

Mating direction to the PCB: 90° ▶ Solder pin length: 5 mm

Mounting type: Feed-through mounting; Panel mounting
 ▶ Mounting type: Mounting flange ▶ Mating direction to the PCB: 0° ▶ Solder pin length: 3.8 mm



231-466/001-000



231-166/001-000

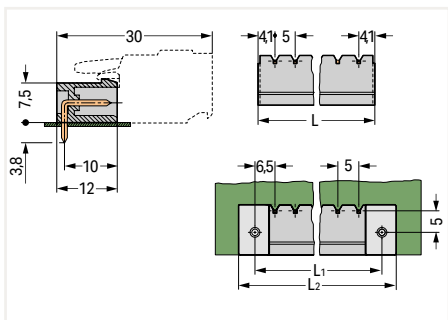


231-466/040-000

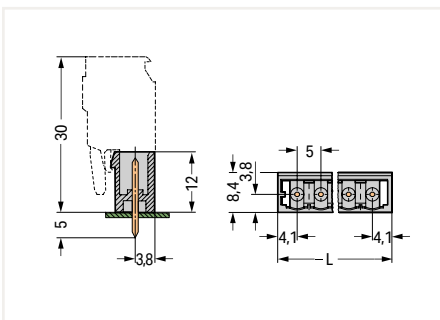
Pole No.	Item No.	PU
2	231-462/001-000	200
3	231-463/001-000	200
4	231-464/001-000	200
5	231-465/001-000	200
6	231-466/001-000	100
7	231-467/001-000	100
8	231-468/001-000	100
9	231-469/001-000	100
10	231-470/001-000	100
11	231-471/001-000	100
12	231-472/001-000	100
13	231-473/001-000	50
14	231-474/001-000	50
15	231-475/001-000	50
16	231-476/001-000	50
17	231-477/001-000	50
18	231-478/001-000	50
19	231-479/001-000	50
20	231-480/001-000	50
21	231-481/001-000	50
22	231-482/001-000	50
23	231-483/001-000	50
24	231-484/001-000	50

Pole No.	Item No.	PU
2	231-162/001-000	200
3	231-163/001-000	200
4	231-164/001-000	200
5	231-165/001-000	200
6	231-166/001-000	200
7	231-167/001-000	100
8	231-168/001-000	100
9	231-169/001-000	100
10	231-170/001-000	100
11	231-171/001-000	100
12	231-172/001-000	100
13	231-173/001-000	50
14	231-174/001-000	50
15	231-175/001-000	50
16	231-176/001-000	50
17	231-177/001-000	50
18	231-178/001-000	50
19	231-179/001-000	50
20	231-180/001-000	50
21	231-181/001-000	50
22	231-182/001-000	50
23	231-183/001-000	50
24	231-184/001-000	50

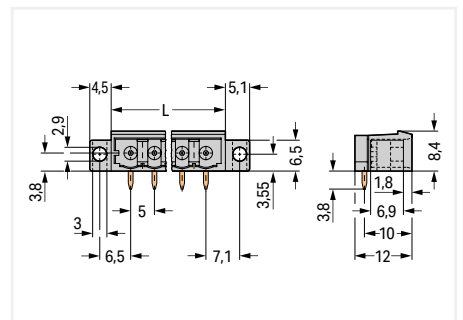
Pole No.	Item No.	PU
2	231-462/040-000	200
3	231-463/040-000	200
5	231-465/040-000	100
6	231-466/040-000	100
14	231-474/040-000	50



L = (pole no. - 1) x pin spacing + 8.2 mm
 L₁ = L + 5 mm
 L₂ = L₁ + 7.4 mm



L = (pole no. - 1) x pin spacing + 8.2 mm



L = (pole no. - 1) x pin spacing + 8.2 mm

PU = Packaging Unit; SPU = Subpackaging Unit; Dimensions in mm

Other versions (or variants) can be requested from WAGO Sales or configured at <https://configurator.wago.com/>.

- Other pole numbers
- 3.8 mm pin projection for male headers with straight solder pins
- Gold-plated or partially gold-plated contact surfaces

THT male header ▶ MCS MIDI Classic ▶ 231 Series

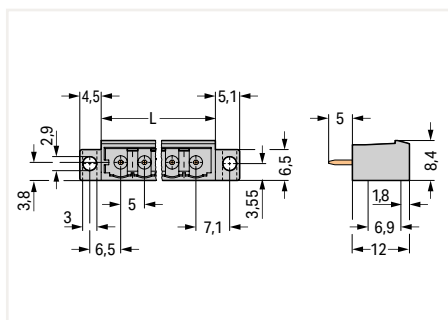
Pin spacing: 5 mm / 0.197 inch ▶ Solder pin dimensions: 1.2 x 1.2 mm ▶ Color: gray

Mounting type: Feed-through mounting; Panel mounting
 ▶ Mounting type: Mounting flange ▶ Mating direction to the PCB: 90° ▶ Solder pin length: 5 mm



231-166/040-000

Pole No.	Item No.	PU
2	231-162/040-000	200
3	231-163/040-000	200
5	231-165/040-000	100
6	231-166/040-000	100
14	231-174/040-000	50



$$L = (\text{pole no.} - 1) \times \text{pin spacing} + 8.2 \text{ mm}$$

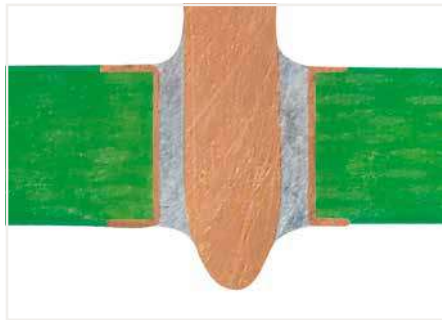
9

PU = Packaging Unit; SPU = Subpackaging Unit; Dimensions in mm

Other versions (or variants) can be requested from WAGO Sales or configured at <https://configurator.wago.com/>.

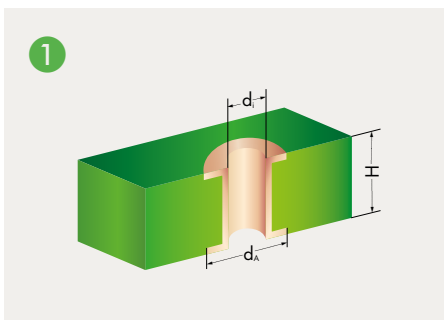
- Other pole numbers
- 3.8 mm pin projection for male headers with straight solder pins
- Gold-plated or partially gold-plated contact surfaces

THR (Through-Hole Reflow) Soldering Process



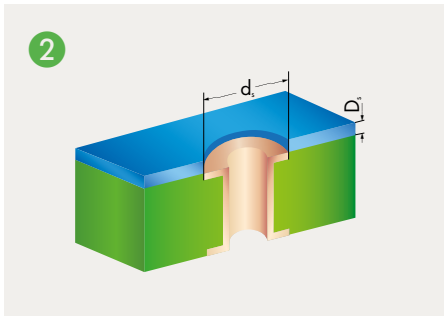
By using high-temperature-resistant plastic and a streamlined pin design, WAGO's THR male headers and PCB terminal blocks meet requirements for SMT process capability while maintaining the necessary stability. Both headers and terminal blocks are simply pushed into the solder paste-filled PCB holes and then soldered along with the SMT components via reflow soldering. The previous wave soldering process is no longer necessary. The result is a perfect connection – both mechanically and electrically.

Terminal strips with an additional suction pad in tape-and-reel packaging per IEC 60286-3 WAGO recommends both a temperature profile that adheres to EN 61760-1 and the use of forced convection ovens for processing THR components.



Metal-plated PCB bore hole

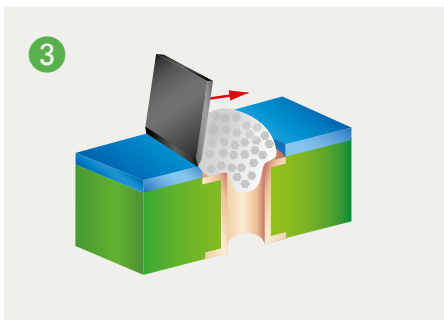
Series	d _i (mm)	d _A (mm)	H (mm)	d _s (mm)	D _s (μm)	d (mm)	L (mm)
218	1.1 ^{+0.1}	1.9	<2	1.8	150	0.9	2.8
231 (1 x 1 mm)	1.4 ^{+0.1}	2.5	<2	2.4	150	1.2	2.4
231 (1.2 x 1.2 mm)	1.7 ^{+0.1}	2.8	<2	2.7	150	1.5	2.4
236	1.1 ^{+0.1}	2.2	<2	2.1	150	0.9	3.6
250	1.1 ^{+0.1}	2.0	<2	1.9	150	0.9	2.4
713	1.0 ^{+0.1}	1.9	<2	1.8	150	1.0	2.4
733	1.2 ^{+0.1}	1.9	<2	1.8	150	1.0	2.4
734	1.4 ^{+0.1}	2.5	<2	2.4	150	1.2	2.4
2060	1.5 ^{+0.1}	2.4	<2	2.3	150	1.25	2.4
2061	1.5 ^{+0.1}	2.4	<2	2.3	150	1.25	1.5/2.4
2086	1.0 ^{+0.1}	2.0	<2	1.9	150	0.85	1.5/2.4



SMD positioning pattern

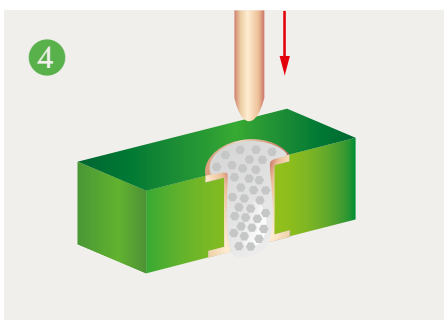
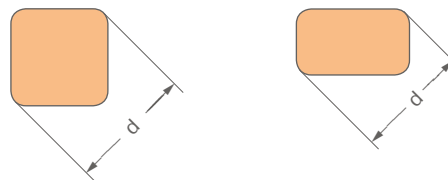
- d_i: Plated through-hole diameter
- d_A: Outer diameter of metal-plated PCB hole*
- H: PCB thickness
- d_s: Pattern hole diameter
- D_s: Pattern thickness
- d: Pin diagonal
- L: Pin length

* When laying out the metal-plated bore holes, the clearance and creepage distance requirements – as specified in the equipment standards – must be considered.

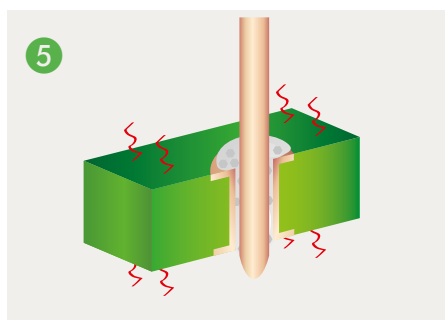


Solder paste application

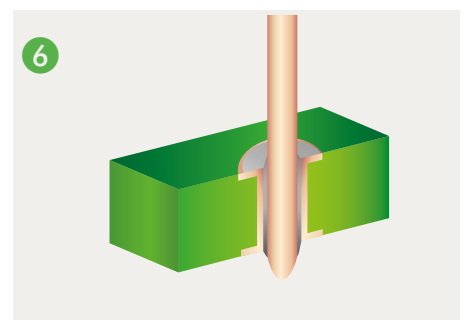
Solder pin form



Component assembly, automatic/by hand



Reflow soldering process



THR soldering joint

THR male header ▶ MCS MIDI Classic ▶ 231 Series

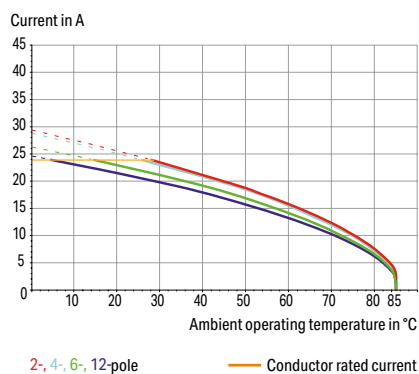
Pin spacing: 5 mm / 0.197 inch ▶ Solder pin dimensions: 1 x 1 mm ▶ Color: black



- THR male headers for reflow soldering in SMT applications
- Available in tape-and-reel packaging for automated pick-and-place PCB assembly
- Also available in bulk packaging for manual placement
- Male headers may be mounted horizontally or vertically
- With coding fingers

Derating Curve

1-conductor female connector (231-102/026-000) with
THR male header (231-432/001-000/105-604)
Pin spacing: 5 mm / Conductor cross-section: 2.5 mm² "f-st"
Based on: EN 60512-5-2 / Reduction factor: 0.8

**Electrical Data**

Ratings per	IEC/EN 60664-1		
Overvoltage category	III	III	II
Pollution degree	3	2	2
Rated voltage	320 V	320 V	630 V
Rated impulse voltage	4 kV	4 kV	4 kV
Rated current	12 A	12 A	12 A
Approbations per	UL 1059		
Use group	B	C	D
Rated voltage	300 V	-	300 V
Rated current	10 A	-	10 A
Approbations per	UL 1977		
Rated voltage	600 V		
Rated current	10 A		
Approbations per	CSA		
Use group	B	C	D
Rated voltage	300 V	-	300 V
Rated current	10 A	-	10 A

Material Data

Material group	I
Insulation material	Polyphthalamide (PPA GF)
Flammability class per UL94	V0
Contact material	Electrolytic copper (E _{cu})
Contact plating	Tin-plated

Mechanical Data

Solder pin arrangement	Over the entire male connector (in-line)
Solder pin length	2.4 mm
Solder pin dimensions	1 x 1 mm
Plated through-hole diameter (THR)	1.4 ^(+0.1) mm

Environmental Requirements

Limit temperature range	-60 ... +100 °C
-------------------------	-----------------

The MCS – MULTI CONNECTION SYSTEM includes connectors without breaking capacity in accordance with DIN EN 61984. When used as intended, these connectors must not be connected/disconnected when live or under load. The circuit design should ensure header pins, which can be touched, are not live when unmated.

THR soldering Page 596

Coding Page 726

See technical section for further information

For approvals and corresponding ratings, visit www.wago.com

THR male header ▶ MCS MIDI Classic ▶ 231 Series

Pin spacing: 5 mm / 0.197 inch ▶ Solder pin dimensions: 1 x 1 mm ▶ Color: black

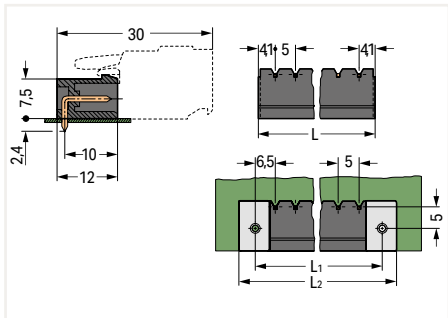
Mating direction to the PCB: 0°

Suitable for automated assembly

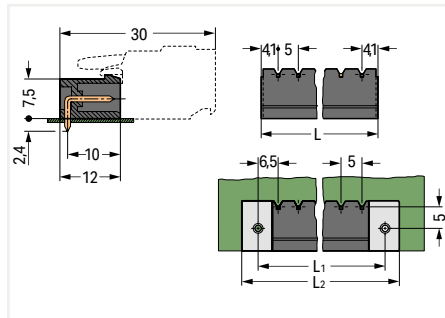


Pole No.	Item No.	PU
2	231-432/001-000/105-604	200
3	231-433/001-000/105-604	200
4	231-434/001-000/105-604	200
5	231-435/001-000/105-604	200
6	231-436/001-000/105-604	100
7	231-437/001-000/105-604	100
8	231-438/001-000/105-604	100
9	231-439/001-000/105-604	100
10	231-440/001-000/105-604	100
11	231-441/001-000/105-604	100
12	231-442/001-000/105-604	100

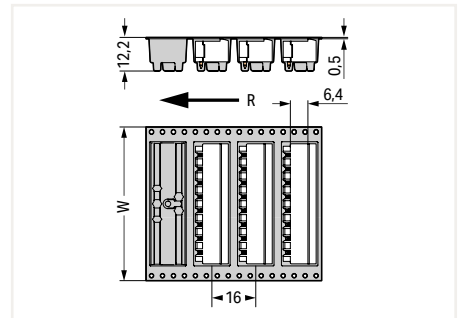
Pole No.	Tape width	Item No.	PU
2	32 mm	231-432/001-000/105-604/997-405	170
3	32 mm	231-433/001-000/105-604/997-405	170
4	56 mm	231-434/001-000/105-604/997-407	170
5	56 mm	231-435/001-000/105-604/997-407	170
6	56 mm	231-436/001-000/105-604/997-407	170
7	56 mm	231-437/001-000/105-604/997-407	170
8	56 mm	231-438/001-000/105-604/997-407	170
9	88 mm	231-439/001-000/105-604/997-409	170
10	88 mm	231-440/001-000/105-604/997-409	170
11	88 mm	231-441/001-000/105-604/997-409	170
12	88 mm	231-442/001-000/105-604/997-409	170



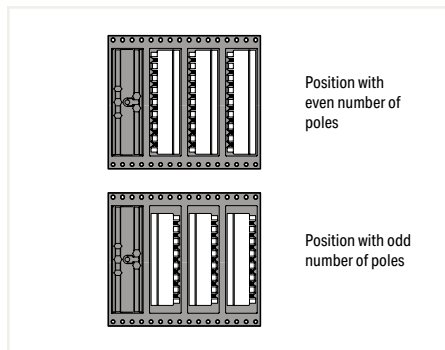
$L = (\text{pole no.} - 1) \times \text{pin spacing} + 8.2 \text{ mm}$
 $L_1 = L + 4.8 \text{ mm}$
 $L_2 = L_1 + 7.2 \text{ mm}$



$L = (\text{pole no.} - 1) \times \text{pin spacing} + 8.2 \text{ mm}$
 $L_1 = L + 4.8 \text{ mm}$
 $L_2 = L_1 + 7.2 \text{ mm}$



W = tape width
 R = feed direction



Pin position in tape-and-reel packaging

PU = Packaging Unit; SPU = Subpackaging Unit; Dimensions in mm

Other versions (or variants) can be requested from WAGO Sales or configured at <https://configurator.wago.com/>.

- Other pole numbers
- Gold-plated or partially gold-plated contact surfaces

THR male header ▶ MCS MIDI Classic ▶ 231 Series

Pin spacing: 5 mm / 0.197 inch ▶ Solder pin dimensions: 1 x 1 mm ▶ Color: black

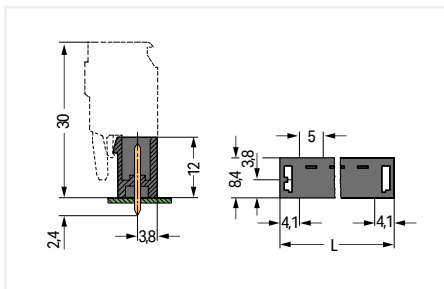
Mating direction to the PCB: 90°

Suitable for automated assembly

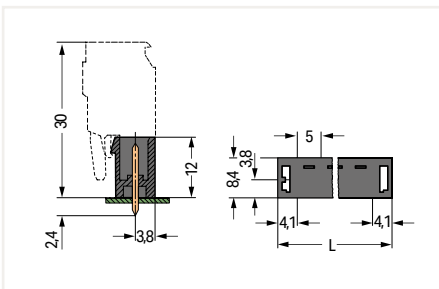


Pole No.	Item No.	PU
2	231-132/001-000/105-604	200
3	231-133/001-000/105-604	200
4	231-134/001-000/105-604	200
5	231-135/001-000/105-604	200
6	231-136/001-000/105-604	100
7	231-137/001-000/105-604	100
8	231-138/001-000/105-604	100
9	231-139/001-000/105-604	100
10	231-140/001-000/105-604	100
11	231-141/001-000/105-604	100
12	231-142/001-000/105-604	100

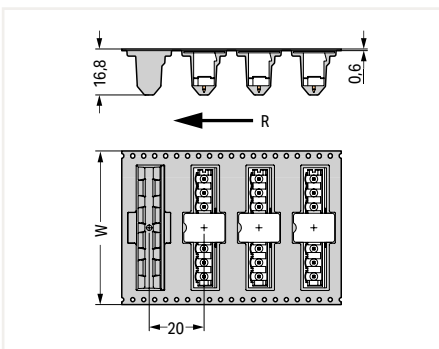
Pole No.	Tape width	Item No.	PU
2	32 mm	231-132/001-000/105-604/997-405	170
3	32 mm	231-133/001-000/105-604/997-405	170
4	56 mm	231-134/001-000/105-604/997-407	170
5	56 mm	231-135/001-000/105-604/997-407	170
6	56 mm	231-136/001-000/105-604/997-407	170
7	56 mm	231-137/001-000/105-604/997-407	170
8	56 mm	231-138/001-000/105-604/997-407	170
9	88 mm	231-139/001-000/105-604/997-409	170
10	88 mm	231-140/001-000/105-604/997-409	170
11	88 mm	231-141/001-000/105-604/997-409	170
12	88 mm	231-142/001-000/105-604/997-409	170



$L = (\text{pole no.} - 1) \times \text{pin spacing} + 8.2 \text{ mm}$



$L = (\text{pole no.} - 1) \times \text{pin spacing} + 8.2 \text{ mm}$



W = tape width
R = feed direction

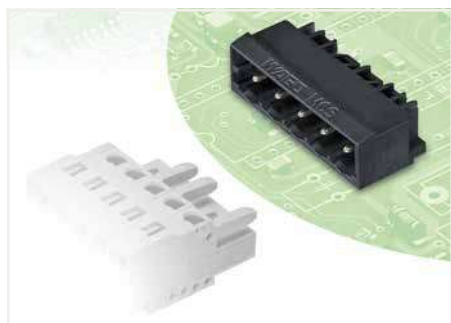
PU = Packaging Unit; SPU = Subpackaging Unit; Dimensions in mm

Other versions (or variants) can be requested from WAGO Sales or configured at <https://configurator.wago.com/>.

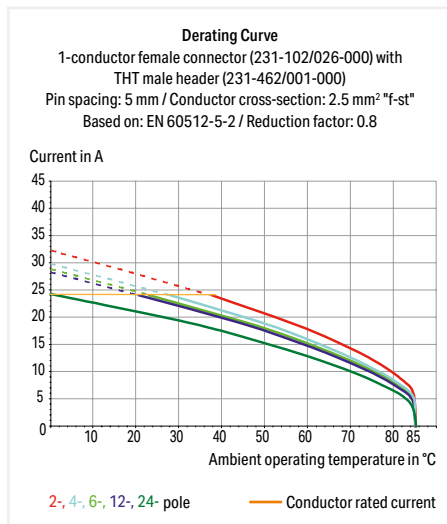
- Other pole numbers
- Gold-plated or partially gold-plated contact surfaces

THR male header ▶ MCS MIDI Classic ▶ 231 Series

Pin spacing: 5 mm / 0.197 inch ▶ Solder pin dimensions: 1.2 x 1.2 mm ▶ Color: black



- THR male headers for reflow soldering in SMT applications
- Available in tape-and-reel packaging for automated pick-and-place PCB assembly
- 1.2 x 1.2 mm solder pins allow nominal current up to 16 A, enhancing stability of shorter headers
- Also available in bulk packaging for manual placement
- Male headers may be mounted horizontally or vertically
- With coding fingers

**Electrical Data**

Ratings per	IEC/EN 60664-1		
Overvoltage category	III	III	II
Pollution degree	3	2	2
Rated voltage	250 V	320 V	630 V
Rated impulse voltage	4 kV	4 kV	4 kV
Rated current	16 A	16 A	16 A
Approbations per	UL 1059		
Use group	B	C	D
Rated voltage	300 V	-	300 V
Rated current	10 A	-	10 A
Approbations per	UL 1977		
Rated voltage	600 V		
Rated current	15 A		
Approbations per	CSA		
Use group	B	C	D
Rated voltage	300 V	-	300 V
Rated current	10 A	-	10 A

Material Data

Material group	I
Insulation material	Polyphthalamide (PPA GF)
Flammability class per UL94	V0
Contact material	Electrolytic copper (E _{cu})
Contact plating	Tin-plated

Mechanical Data

Solder pin arrangement	Over the entire male connector (in-line)
Solder pin length	2.4 mm
Solder pin dimensions	1.2 x 1.2 mm
Plated through-hole diameter (THR)	1.7 ^(+0.1) mm

Environmental Requirements

Limit temperature range	-60 ... +100 °C
-------------------------	-----------------

The MCS – MULTI CONNECTION SYSTEM includes connectors without breaking capacity in accordance with DIN EN 61984. When used as intended, these connectors must not be connected/disconnected when live or under load. The circuit design should ensure header pins, which can be touched, are not live when unmated.

THR soldering Page 596

Coding Page 726

See technical section for further information

For approvals and corresponding ratings, visit www.wago.com

THR male header ▶ MCS MIDI Classic ▶ 231 Series

Pin spacing: 5 mm / 0.197 inch ▶ Solder pin dimensions: 1.2 x 1.2 mm ▶ Color: black

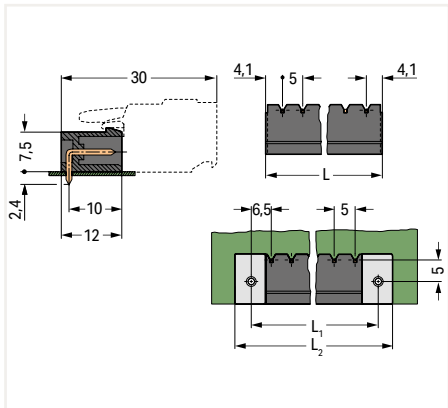
Mating direction to the PCB: 0°

Suitable for automated assembly

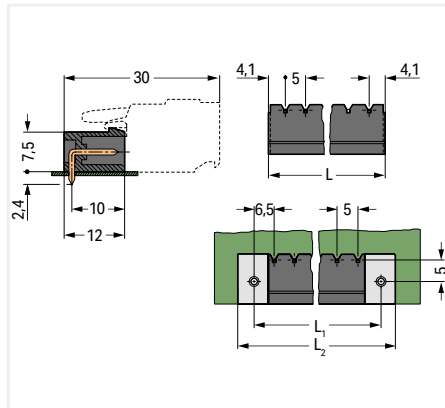


Pole No.	Item No.	PU
2	231-462/001-000/105-604	200
3	231-463/001-000/105-604	200
4	231-464/001-000/105-604	200
5	231-465/001-000/105-604	200
6	231-466/001-000/105-604	100
7	231-467/001-000/105-604	100
8	231-468/001-000/105-604	100
9	231-469/001-000/105-604	100
10	231-470/001-000/105-604	100
11	231-471/001-000/105-604	100
12	231-472/001-000/105-604	100

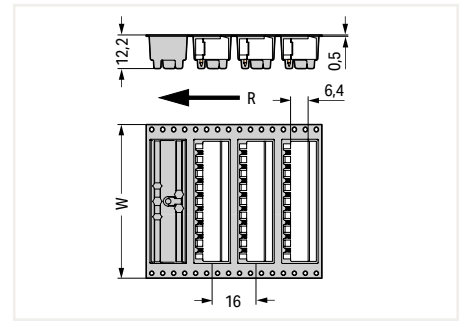
Pole No.	Tape width	Item No.	PU
2	32 mm	231-462/001-000/105-604/997-405	170
3	32 mm	231-463/001-000/105-604/997-405	170
4	56 mm	231-464/001-000/105-604/997-407	170
5	56 mm	231-465/001-000/105-604/997-407	170
6	56 mm	231-466/001-000/105-604/997-407	170
7	56 mm	231-467/001-000/105-604/997-407	170
8	56 mm	231-468/001-000/105-604/997-407	170
9	88 mm	231-469/001-000/105-604/997-409	170
10	88 mm	231-470/001-000/105-604/997-409	170
11	88 mm	231-471/001-000/105-604/997-409	170
12	88 mm	231-472/001-000/105-604/997-409	170



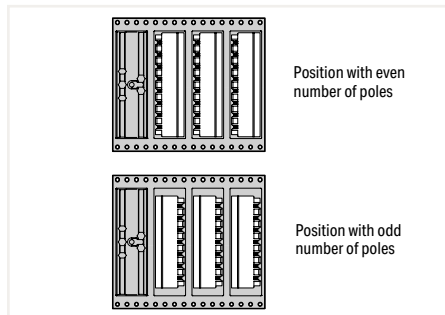
$L = (\text{pole no.} \times \text{pin spacing}) + 3.2 \text{ mm}$
 $L_1 = L + 4.8 \text{ mm}$
 $L_2 = L_1 + 7.2 \text{ mm}$



$L = (\text{pole no.} \times \text{pin spacing}) + 3.2 \text{ mm}$
 $L_1 = L + 4.8 \text{ mm}$
 $L_2 = L_1 + 7.2 \text{ mm}$



W = tape width
 R = feed direction



Pin position in tape-and-reel packaging

PU = Packaging Unit; SPU = Subpackaging Unit; Dimensions in mm

Other versions (or variants) can be requested from WAGO Sales or configured at <https://configurator.wago.com/>.

- Other pole numbers
- Gold-plated or partially gold-plated contact surfaces

THR male header ▶ MCS MIDI Classic ▶ 231 Series

Pin spacing: 5 mm / 0.197 inch ▶ Solder pin dimensions: 1.2 x 1.2 mm ▶ Color: black

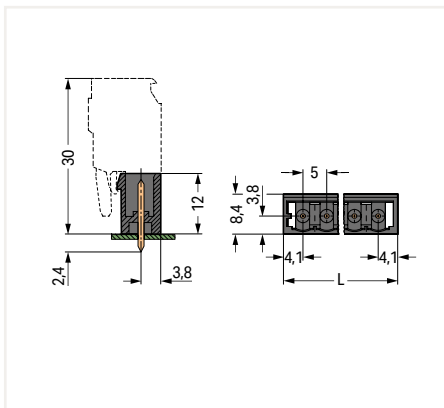
Mating direction to the PCB: 90°

Suitable for automated assembly

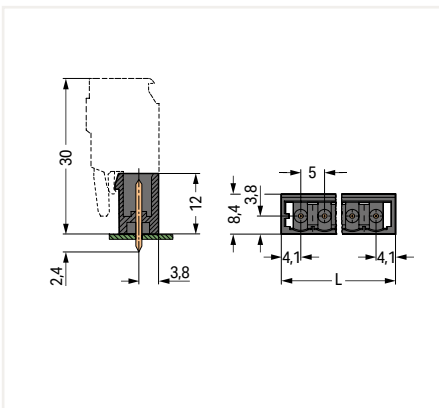


Pole No.	Item No.	PU
2	231-162/001-000/105-604	200
3	231-163/001-000/105-604	200
4	231-164/001-000/105-604	200
5	231-165/001-000/105-604	200
6	231-166/001-000/105-604	100
7	231-167/001-000/105-604	100
8	231-168/001-000/105-604	100
9	231-169/001-000/105-604	100
10	231-170/001-000/105-604	100
11	231-171/001-000/105-604	100
12	231-172/001-000/105-604	100

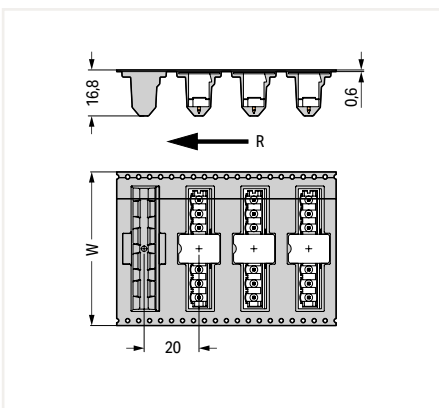
Pole No.	Tape width	Item No.	PU
2	32 mm	231-162/001-000/105-604/997-405	170
3	32 mm	231-163/001-000/105-604/997-405	170
4	56 mm	231-164/001-000/105-604/997-407	170
5	56 mm	231-165/001-000/105-604/997-407	170
6	56 mm	231-166/001-000/105-604/997-407	170
7	56 mm	231-167/001-000/105-604/997-407	170
8	56 mm	231-168/001-000/105-604/997-407	170
9	88 mm	231-169/001-000/105-604/997-409	170
10	88 mm	231-170/001-000/105-604/997-409	170
11	88 mm	231-171/001-000/105-604/997-409	170
12	88 mm	231-172/001-000/105-604/997-409	170



L = (pole no. x pin spacing) + 3.2 mm



L = (pole no. x pin spacing) + 3.2 mm



W = tape width
R = feed direction

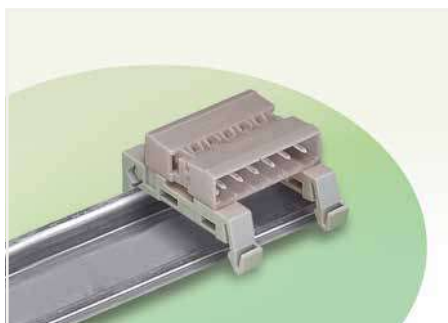
PU = Packaging Unit; SPU = Subpackaging Unit; Dimensions in mm

Other versions (or variants) can be requested from WAGO Sales or configured at <https://configurator.wago.com/>.

- Other pole numbers
- Gold-plated or partially gold-plated contact surfaces

Double pin header ▶ MCS MIDI Classic ▶ 232 Series

Pin spacing: 5 mm / 0.197 inch ▶ Mounting type: DIN-35 rail ▶ Color: gray



- Allow MCS Female Connectors fitted with wire harness or cable assembly to be plugged together
- Adapter for DIN-35 rail mounting
- Coding via coding keys on both sides

Electrical Data

Ratings per	IEC/EN 60664-1		
Overvoltage category	III	III	II
Pollution degree	3	2	2
Rated voltage	250 V	320 V	630 V
Rated impulse voltage	4 kV	4 kV	4 kV
Rated current	12 A	12 A	12 A

Approbations per	UL 1059		
Use group	B	C	D
Rated voltage	300 V	-	300 V
Rated current	15 A	-	10 A

Approbations per	UL 1977		
Rated voltage	600 V		
Rated current	15 A		

Approbations per	CSA		
Use group	B	C	D
Rated voltage	300 V	-	300 V
Rated current	15 A	-	10 A

Material Data

Material group	I
Insulation material	Polyamide (PA66)
Flammability class per UL94	V0
Contact material	Electrolytic copper (E _{cu})
Contact plating	Tin-plated

Environmental Requirements

Limit temperature range	-60 ... +100 °C
-------------------------	-----------------

The MCS – MULTI CONNECTION SYSTEM includes connectors without breaking capacity in accordance with DIN EN 61984. When used as intended, these connectors must not be connected/disconnected when live or under load. The circuit design should ensure header pins, which can be touched, are not live when unmated.

Coding Page 726

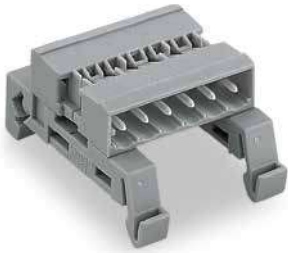
DIN-rail Page 868

See technical section for further information

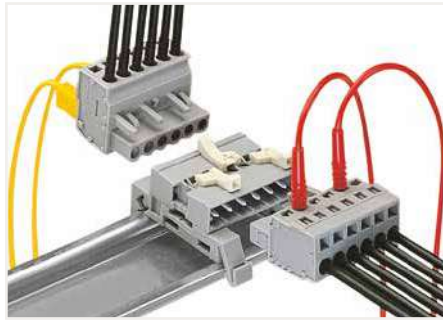
For approvals and corresponding ratings, visit www.wago.com

Double pin header ▶ MCS MIDI Classic ▶ 232 Series

Pin spacing: 5 mm / 0.197 inch ▶ Mounting type: DIN-35 rail ▶ Color: gray

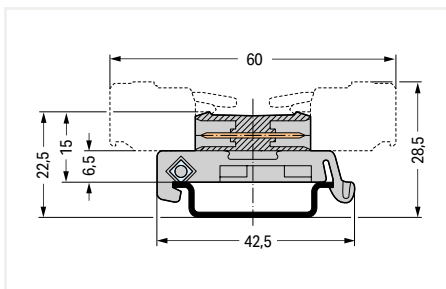


232-506/007-000



Angled female connector – straight female connector

Pole No.	Item No.	PU
2	232-502/007-000	100
3	232-503/007-000	50
4	232-504/007-000	50
5	232-505/007-000	50
6	232-506/007-000	50
7	232-507/007-000	25
8	232-508/007-000	25
9	232-509/007-000	25
10	232-510/007-000	25
11	232-511/007-000	25
12	232-512/007-000	25
13	232-513/007-000	25
14	232-514/007-000	25
15	232-515/007-000	25
16	232-516/007-000	25
17	232-517/007-000	25
18	232-518/007-000	25
19	232-519/007-000	25
20	232-520/007-000	25
21	232-521/007-000	10
22	232-522/007-000	10
23	232-523/007-000	10
24	232-524/007-000	10



Total length = (pole no. - 1) x pin spacing + 8.2 mm

PU = Packaging Unit; SPU = Subpackaging Unit; Dimensions in mm

Other versions (or variants) can be requested from WAGO Sales or configured at <https://configurator.wago.com/>.

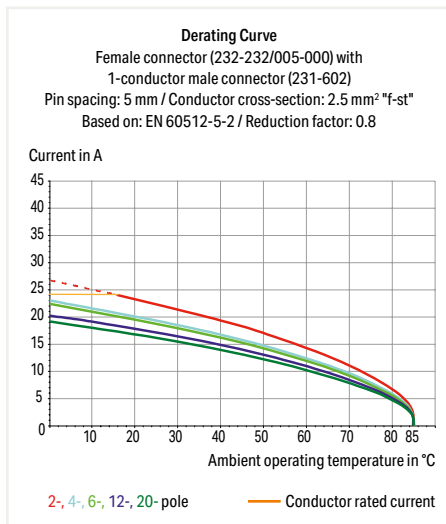
- Other pole numbers

Female connector for rail-mount terminal blocks ▶ MCS MIDI Classic ▶ 232 Series

Pin spacing: 5 mm / 0.197 inch ▶ Color: gray



- Pluggable connectors for rail-mount terminal blocks equipped with CAGE CLAMP® connection
- Female connectors with long contact pins connect to the termination ports of 280 Series Rail-Mount Terminal Blocks
- Female connectors are touch-proof when unmated, providing a pluggable, live output
- With coding fingers



Electrical Data

Ratings per	IEC/EN 60664-1		
Overvoltage category	III	III	II
Pollution degree	3	2	2
Rated voltage	320 V	320 V	630 V
Rated impulse voltage	4 kV	4 kV	4 kV
Rated current	12 A	12 A	12 A
Approbations per	UL 1059		
Use group	B	C	D
Rated voltage	300 V	-	300 V
Rated current	15 A	-	10 A
Approbations per	UL 1977		
Rated voltage	600 V		
Rated current	15 A		
Approbations per	CSA		
Use group	B	C	D
Rated voltage	300 V	-	300 V
Rated current	15 A	-	10 A

Material Data

Material group	I
Insulation material	Polyamide (PA66)
Flammability class per UL94	V0
Contact material	Copper alloy
Contact plating	Tin-plated

Environmental Requirements

Limit temperature range	-60 ... +85 °C
-------------------------	----------------

The MCS – MULTI CONNECTION SYSTEM includes connectors without breaking capacity in accordance with DIN EN 61984. When used as intended, these connectors must not be connected/disconnected when live or under load. The circuit design should ensure header pins, which can be touched, are not live when unmated.

Test and measurement Page 725

See technical section for further information

For approvals and corresponding ratings, visit www.wago.com

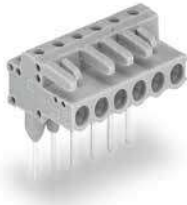
Female connector for rail-mount terminal blocks ▶ MCS MIDI Classic ▶ 232 Series

Pin spacing: 5 mm / 0.197 inch ▶ Color: gray

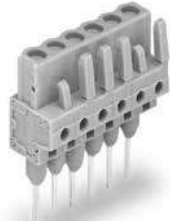
Mating direction to the rail-mount terminal block: 0°

Mating direction to the rail-mount terminal block: 90°

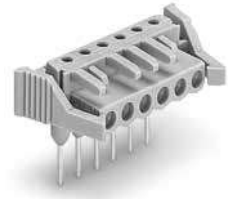
Locking of plug-in connection: Locking lever ▶ Mating direction to the rail-mount terminal block: 0°



232-236/005-000



232-136/005-000

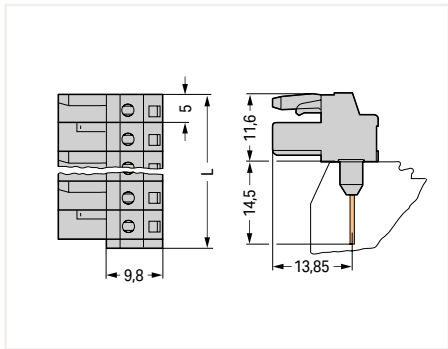


232-236/005-000/039-000

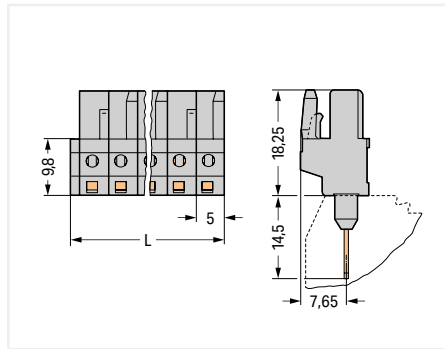
Pole No.	Item No.	PU
2	232-232/005-000	100
3	232-233/005-000	100
4	232-234/005-000	100
5	232-235/005-000	100
6	232-236/005-000	50
7	232-237/005-000	50
8	232-238/005-000	50
9	232-239/005-000	50
10	232-240/005-000	50
11	232-241/005-000	25
12	232-242/005-000	25

Pole No.	Item No.	PU
2	232-132/005-000	100
3	232-133/005-000	100
4	232-134/005-000	100
5	232-135/005-000	100
6	232-136/005-000	50
7	232-137/005-000	50
8	232-138/005-000	50
9	232-139/005-000	50
10	232-140/005-000	50
11	232-141/005-000	25
12	232-142/005-000	25

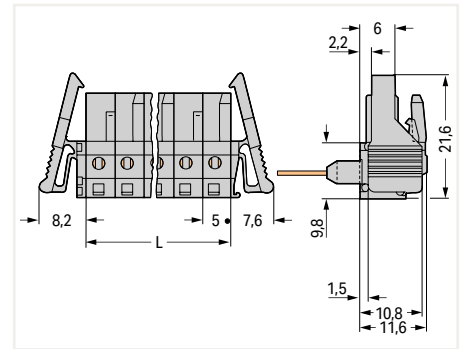
Pole No.	Item No.	PU
2	232-232/005-000/039-000	100
3	232-233/005-000/039-000	50
4	232-234/005-000/039-000	50
5	232-235/005-000/039-000	50
6	232-236/005-000/039-000	50
7	232-237/005-000/039-000	50
9	232-239/005-000/039-000	25
10	232-240/005-000/039-000	25
11	232-241/005-000/039-000	25
12	232-242/005-000/039-000	25



L = (pole no. x pin spacing) + 1.5 mm
2- to 3-pole female connectors – one latch only



L = (pole no. x pin spacing) + 1.5 mm
2- to 3-pole female connectors – one latch only



L = pole no. x pin spacing
2- to 3-pole female connectors – one latch only

PU = Packaging Unit; SPU = Subpackaging Unit; Dimensions in mm

Other versions (or variants) can be requested from WAGO Sales or configured at <https://configurator.wago.com/>.

- Other pole numbers

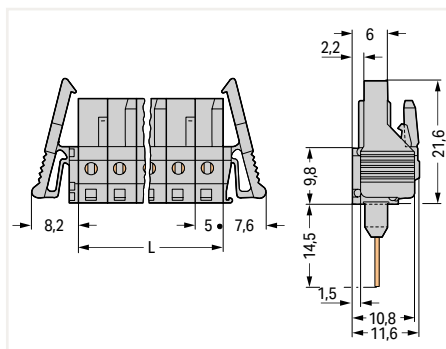
Female connector for rail-mount terminal blocks ▶ MCS MIDI Classic ▶ 232 Series

Pin spacing: 5 mm / 0.197 inch ▶ Color: gray

Locking of plug-in connection: Locking lever ▶ Mating direction to the rail-mount terminal block: 90 °



Pole No.	Item No.	PU
2	232-132/005-000/039-000	100
3	232-133/005-000/039-000	50
4	232-134/005-000/039-000	50
5	232-135/005-000/039-000	50
6	232-136/005-000/039-000	50
7	232-137/005-000/039-000	50
8	232-138/005-000/039-000	50
9	232-139/005-000/039-000	25
10	232-140/005-000/039-000	25
11	232-141/005-000/039-000	25
12	232-142/005-000/039-000	25



L = pole no. x pin spacing
2- to 3-pole female connectors – one latch only

PU = Packaging Unit; SPU = Subpackaging Unit; Dimensions in mm

Other versions (or variants) can be requested from WAGO Sales or configured at <https://configurator.wago.com/>.

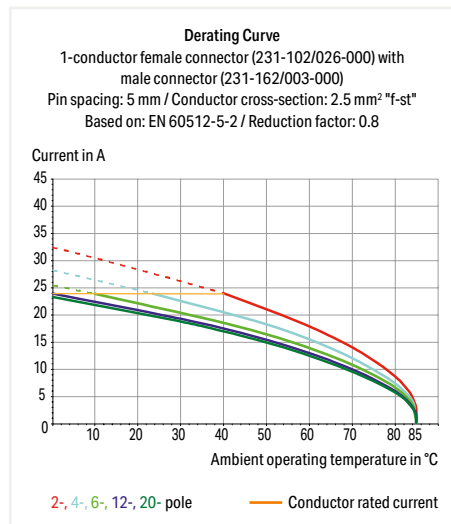
- Other pole numbers

Male connector for rail-mount terminal blocks ▶ MCS MIDI Classic ▶ 231 Series

Pin spacing: 5 mm / 0.197 inch ▶ Color: gray



- Pluggable connectors for rail-mount terminal blocks equipped with CAGE CLAMP® connection
- Male connectors with long contact pins connect to the termination ports of 280 Series Rail-Mount Terminal Blocks
- Pins can be touched when the connector is unplugged, so power supply should be performed via terminal block (observe rated voltage!)
- With coding fingers



Electrical Data

Ratings per	IEC/EN 60664-1		
Overvoltage category	III	III	II
Pollution degree	3	2	2
Rated voltage	250 V	320 V	630 V
Rated impulse voltage	4 kV	4 kV	4 kV
Rated current	16 A	16 A	16 A
Approbations per	UL 1059		
Use group	B	C	D
Rated voltage	300 V	-	300 V
Rated current	15 A	-	10 A
Approbations per	UL 1977		
Rated voltage	600 V		
Rated current	15 A		
Approbations per	CSA		
Use group	B	C	D
Rated voltage	300 V	-	300 V
Rated current	15 A	-	10 A

Material Data

Material group	I
Insulation material	Polyamide (PA66)
Flammability class per UL94	V0
Contact material	Electrolytic copper (E _{cu})
Contact plating	Tin-plated

Environmental Requirements

Limit temperature range	-60 ... +100 °C
-------------------------	-----------------

The MCS – MULTI CONNECTION SYSTEM includes connectors without breaking capacity in accordance with DIN EN 61984. When used as intended, these connectors must not be connected/disconnected when live or under load. The circuit design should ensure header pins, which can be touched, are not live when unmated.

Coding Page 726

Tool Page 725

See technical section for further information

For approvals and corresponding ratings, visit www.wago.com

Male connector for rail-mount terminal blocks ▶ MCS MIDI Classic ▶ 231 Series

Pin spacing: 5 mm / 0.197 inch ▶ Color: gray

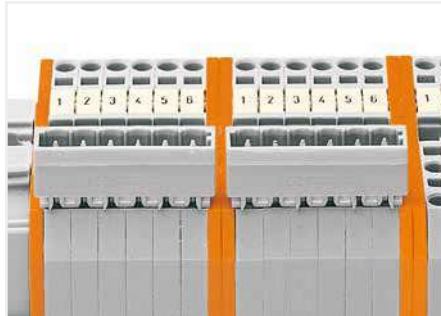


231-166/003-000

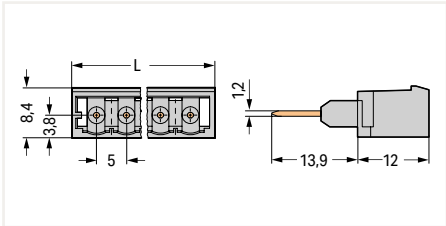


Inserting a male connector via multipole operating tool.

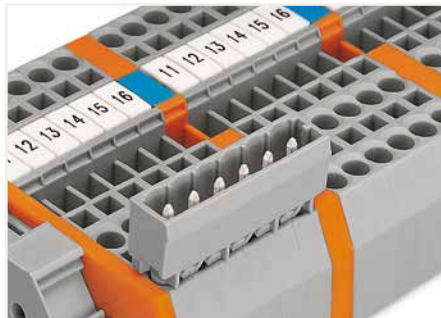
Pole No.	Item No.	PU
2	231-162/003-000	200
3	231-163/003-000	200
4	231-164/003-000	200
5	231-165/003-000	200
6	231-166/003-000	100
7	231-167/003-000	100
8	231-168/003-000	100
9	231-169/003-000	100
10	231-170/003-000	100
11	231-171/003-000	100
12	231-172/003-000	100



The extra width of the male connectors when used on front-entry, rail-mount terminal blocks must be compensated for by either two intermediate plates or rail-mount spacer block (block assembly).



$L = (\text{pole no.} - 1) \times \text{pin spacing} + 8.2 \text{ mm}$



Spacer blocks can be bridged via alternate or staggered jumpers.

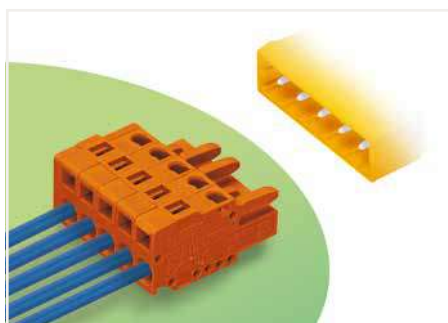
PU = Packaging Unit; SPU = Subpackaging Unit; Dimensions in mm

Other versions (or variants) can be requested from WAGO Sales or configured at <https://configurator.wago.com/>.

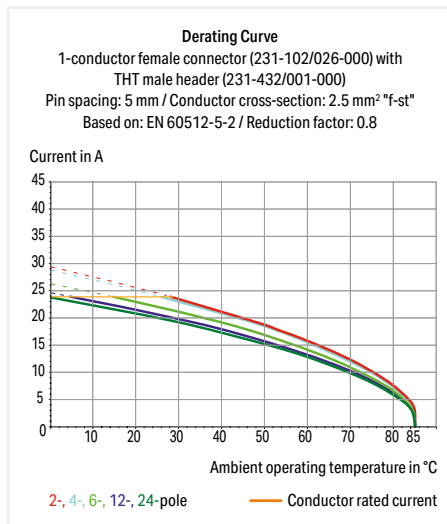
- Other pole numbers

1-conductor female plug ▶ MCS MIDI Classic ▶ 231 Series

Pin spacing: 5.08 mm / 0.2 inch ▶ Actuation type: Operating tool ▶ CAGE CLAMP® ▶ Conductor entry direction to mating direction: 0° ▶ Color: orange



- Universal connection for all conductor types
- Easy cable pre-assembly and on-unit wiring via vertical and horizontal CAGE CLAMP® actuation
- Integrated test ports
- With coding fingers



Electrical Data

Ratings per	IEC/EN 60664-1		
Overvoltage category	III	III	II
Pollution degree	3	2	2
Rated voltage	320 V	320 V	630 V
Rated impulse voltage	4 kV	4 kV	4 kV
Rated current	16 A	16 A	16 A
Approbations per	UL 1059		
Use group	B	C	D
Rated voltage	300 V	-	300 V
Rated current	15 A	-	10 A
Approbations per	UL 1977		
Rated voltage	600 V		
Rated current	15 A		
Approbations per	CSA		
Use group	B	C	D
Rated voltage	300 V	-	300 V
Rated current	15 A	-	10 A

Connection Data

Connection technology	CAGE CLAMP®
Strip length	8 ... 9 mm / 0.31 ... 0.35 inch
Solid conductor	0.08 ... 2.5 mm ² / 28 ... 12 AWG
Fine-stranded conductor	0.08 ... 2.5 mm ² / 28 ... 12 AWG
Fine-stranded conductor; with insulated ferrule	0.25 ... 1.5 mm ²
Fine-stranded conductor; with uninsulated ferrule	0.25 ... 2.5 mm ²

Material Data

Material group	I
Insulation material	Polyamide (PA66)
Flammability class per UL94	V0
Clamping spring material	Chrome nickel spring steel (CrNi)
Contact material	Copper alloy
Contact plating	Tin-plated

Environmental Requirements

Limit temperature range	-60 ... +85 °C
-------------------------	----------------

The MCS – MULTI CONNECTION SYSTEM includes connectors without breaking capacity in accordance with DIN EN 61984. When used as intended, these connectors must not be connected/disconnected when live or under load. The circuit design should ensure header pins, which can be touched, are not live when unmated.

Ferrule	Page 879
General accessories	Page 727
Insulation stop	Page 727
Jumper	Page 733
Marking	Page 865
Mounting	Page 732, 869
Mounting adapter	Page 733
Strain relief	Page 730
Test and measurement	Page 725, 886
Tool	Page 538, 870
Direct marking	Page 734
Cutout dimensions	Page 738
See technical section for further information	
For approvals and corresponding ratings, visit www.wago.com	

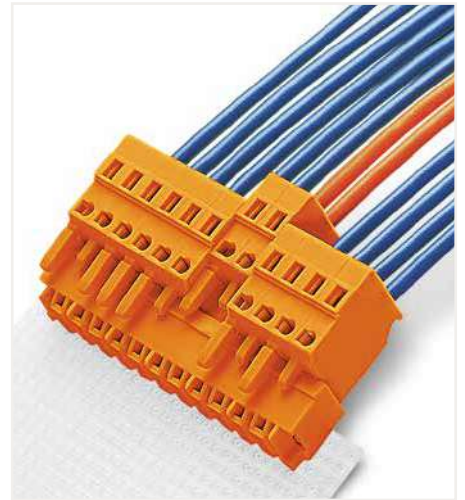
1-conductor female plug ▶ MCS MIDI Classic ▶ 231 Series

Pin spacing: 5.08 mm / 0.2 inch ▶ Actuation type: Operating tool ▶ CAGE CLAMP® ▶ Conductor entry direction to mating direction: 0° ▶ Color: orange

Plugging without loss of pin spacing



231-306/102-000



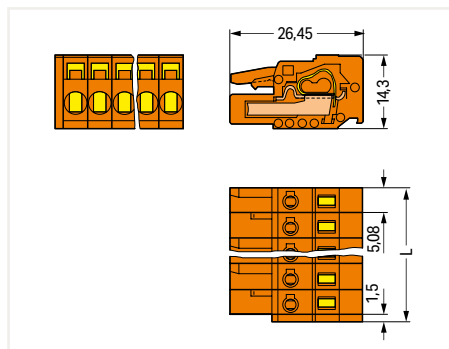
Total pole number for female connectors = pole number for male header

Pole No.	Item No.	PU	Pole No.	Item No.	PU
2	231-302/026-000	100	2	231-302/102-000	100
3	231-303/026-000	100	3	231-303/102-000	100
4	231-304/026-000	100	4	231-304/102-000	100
5	231-305/026-000	100	5	231-305/102-000	100
6	231-306/026-000	50	6	231-306/102-000	50
7	231-307/026-000	50	7	231-307/102-000	50
8	231-308/026-000	50	8	231-308/102-000	50
9	231-309/026-000	50	9	231-309/102-000	50
10	231-310/026-000	50	10	231-310/102-000	50
11	231-311/026-000	25	11	231-311/102-000	25
12	231-312/026-000	25	12	231-312/102-000	25
13	231-313/026-000	25	13	231-313/102-000	25
14	231-314/026-000	25	14	231-314/102-000	25
15	231-315/026-000	25	15	231-315/102-000	25
16	231-316/026-000	25	16	231-316/102-000	25
17	231-317/026-000	25	17	231-317/102-000	25
18	231-318/026-000	10	18	231-318/102-000	10
19	231-319/026-000	10	19	231-319/102-000	10
20	231-320/026-000	10	20	231-320/102-000	10
21	231-321/026-000	10	21	231-321/102-000	10
22	231-322/026-000	10	22	231-322/102-000	10
23	231-323/026-000	10	23	231-323/102-000	10
24	231-324/026-000	10	24	231-324/102-000	10

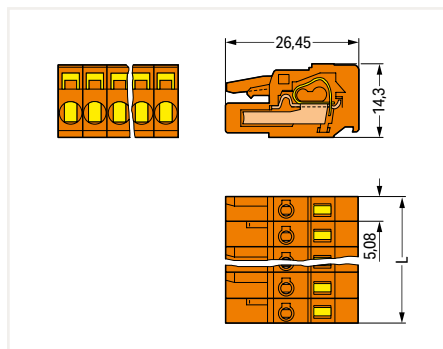


Female connectors with a built-in end plate require no extra space, while maintaining the nominal cross-section. This means: Total length of female connectors is reduced to "pole no. x pin spacing"!

9



L = (pole no. x pin spacing) + 1.5 mm
2- to 3-pole female connectors – one latch only



L = pole no. x pin spacing
2- to 3-pole female connectors – one latch only

PU = Packaging Unit; SPU = Subpackaging Unit; Dimensions in mm

Other versions (or variants) can be requested from WAGO Sales or configured at <https://configurator.wago.com/>.

- Gold-plated or partially gold-plated contact surfaces

1-conductor female plug ▶ MCS MIDI Classic ▶ 231 Series

Pin spacing: 5.08 mm / 0.2 inch ▶ Actuation type: Operating tool ▶ CAGE CLAMP® ▶ Conductor entry direction to mating direction: 0° ▶ Color: orange

Locking of plug-in connection: Locking lever

Locking of plug-in connection: Screw flange



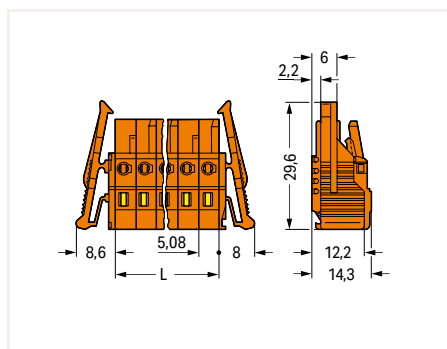
231-306/037-000



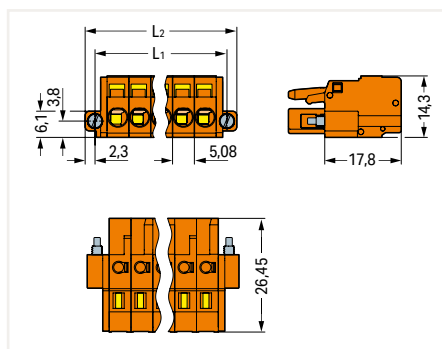
231-306/107-000

Pole No.	Item No.	PU
2	231-302/037-000	100
3	231-303/037-000	50
4	231-304/037-000	50
5	231-305/037-000	50
6	231-306/037-000	50
7	231-307/037-000	50
8	231-308/037-000	25
9	231-309/037-000	25
10	231-310/037-000	25
11	231-311/037-000	25
12	231-312/037-000	25
13	231-313/037-000	25
14	231-314/037-000	25
15	231-315/037-000	25
16	231-316/037-000	10
17	231-317/037-000	10
18	231-318/037-000	10
19	231-319/037-000	10
20	231-320/037-000	10
21	231-321/037-000	10
22	231-322/037-000	10
23	231-323/037-000	10
24	231-324/037-000	10

Pole No.	Item No.	PU
2	231-302/107-000	100
3	231-303/107-000	100
4	231-304/107-000	50
5	231-305/107-000	50
6	231-306/107-000	50
7	231-307/107-000	50
8	231-308/107-000	50
9	231-309/107-000	25
10	231-310/107-000	25
12	231-312/107-000	25
14	231-314/107-000	25
15	231-315/107-000	25
16	231-316/107-000	25



L = pole no. x pin spacing
2- to 3-pole female connectors – one latch only



$L_1 = (\text{pole no.} \times \text{pin spacing}) + 5.4 \text{ mm}$
 $L_2 = (\text{pole no.} \times \text{pin spacing}) + 10 \text{ mm}$
2- to 3-pole female connectors – one latch only

PU = Packaging Unit; SPU = Subpackaging Unit; Dimensions in mm

Other versions (or variants) can be requested from WAGO Sales or configured at <https://configurator.wago.com/>.

- Gold-plated or partially gold-plated contact surfaces

1-conductor female plug ▶ MCS MIDI Classic ▶ 231 Series

Pin spacing: 5.08 mm / 0.2 inch ▶ Actuation type: Operating tool ▶ CAGE CLAMP® ▶ Conductor entry direction to mating direction: 0° ▶ Color: orange

Mounting type: Feed-through mounting; Panel mounting ▶ Mounting type: Mounting flange

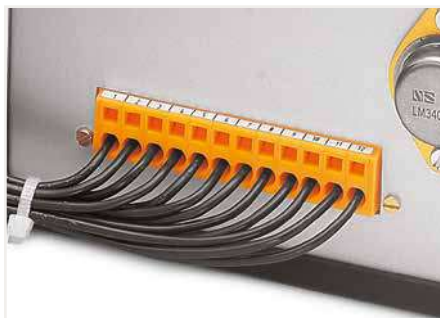


231-306/031-000

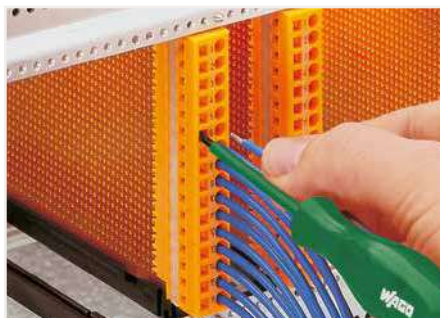


Female connectors with mounting flanges can be used as PCB through-panel connectors – conductor termination parallel to CAGE CLAMP® actuation.

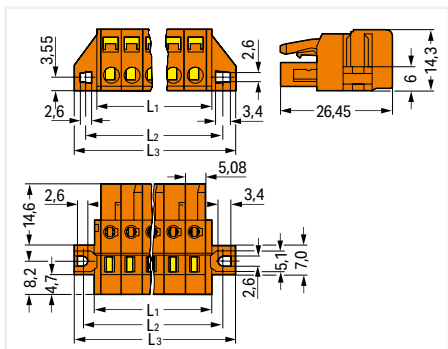
Pole No.	Item No.	PU
2	231-302/031-000	100
3	231-303/031-000	50
4	231-304/031-000	50
5	231-305/031-000	50
6	231-306/031-000	50
7	231-307/031-000	50
8	231-308/031-000	50
9	231-309/031-000	25
10	231-310/031-000	25
11	231-311/031-000	25
12	231-312/031-000	25
13	231-313/031-000	25
14	231-314/031-000	25
15	231-315/031-000	25
16	231-316/031-000	10
17	231-317/031-000	10
18	231-318/031-000	10
19	231-319/031-000	10
20	231-320/031-000	10
21	231-321/031-000	10
22	231-322/031-000	10
23	231-323/031-000	10
24	231-324/031-000	10



PCB female connectors with mounting flanges can be used as through-panel connectors for external wiring.



16-pole female connector with mounting flanges in a 19" rack – conductor termination parallel to CAGE CLAMP® actuation



$L_1 = (\text{pole no.} \times \text{pin spacing}) + 3 \text{ mm}$
 $L_2 = (\text{pole no.} \times \text{pin spacing}) + 8.8 \text{ mm}$
 $L_3 = (\text{pole no.} \times \text{pin spacing}) + 14.8 \text{ mm}$
 2- to 3-pole female connectors – one latch only

PU = Packaging Unit; SPU = Subpackaging Unit; Dimensions in mm

Other versions (or variants) can be requested from WAGO Sales or configured at <https://configurator.wago.com/>.

- Gold-plated or partially gold-plated contact surfaces

1-conductor female plug ▶ MCS MIDI Classic ▶ 231 Series

Pin spacing: 5.08 mm / 0.2 inch ▶ Actuation type: Operating tool ▶ CAGE CLAMP® ▶ Conductor entry direction to mating direction: 0° ▶ Color: orange

Mounting type: Feed-through mounting; Panel mounting ▶ Mounting type: Mounting flange ▶ with reinforcing strips

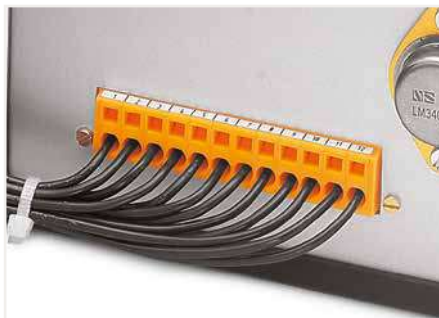


231-306/027-000



Female connectors with mounting flanges can be used as PCB through-panel connectors – conductor termination parallel to CAGE CLAMP® actuation.

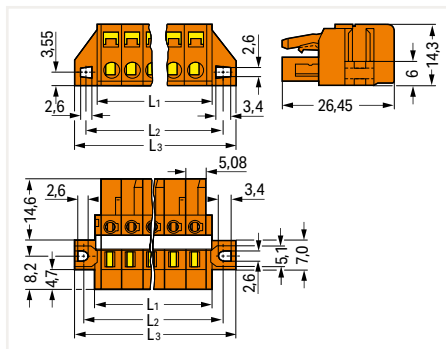
Pole No.	Item No.	PU
6	231-306/027-000	50
7	231-307/027-000	50
8	231-308/027-000	50
9	231-309/027-000	25
10	231-310/027-000	25
11	231-311/027-000	25
12	231-312/027-000	25
13	231-313/027-000	25
14	231-314/027-000	25
15	231-315/027-000	25
16	231-316/027-000	10
17	231-317/027-000	10
18	231-318/027-000	10
19	231-319/027-000	10
20	231-320/027-000	10
21	231-321/027-000	10
22	231-322/027-000	10
23	231-323/027-000	10
24	231-324/027-000	10



PCB female connectors with mounting flanges can be used as through-panel connectors for external wiring.



16-pole female connector with mounting flanges in a 19" rack – conductor termination parallel to CAGE CLAMP® actuation



$L_1 = (\text{pole no.} \times \text{pin spacing}) + 3 \text{ mm}$
 $L_2 = (\text{pole no.} \times \text{pin spacing}) + 8.8 \text{ mm}$
 $L_3 = (\text{pole no.} \times \text{pin spacing}) + 14.8 \text{ mm}$
 2- to 3-pole female connectors – one latch only

PU = Packaging Unit; SPU = Subpackaging Unit; Dimensions in mm

Other versions (or variants) can be requested from WAGO Sales or configured at <https://configurator.wago.com/>.

- Gold-plated or partially gold-plated contact surfaces

1-conductor female plug ▶ MCS MIDI Classic ▶ 231 Series

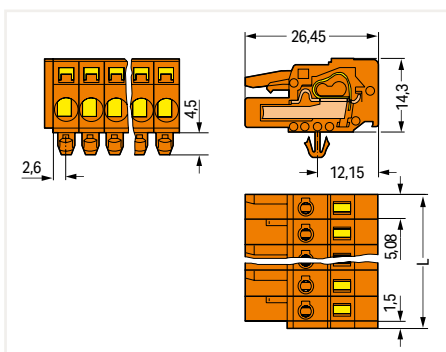
Pin spacing: 5.08 mm / 0.2 inch ▶ Actuation type: Operating tool ▶ CAGE CLAMP® ▶ Conductor entry direction to mating direction: 0° ▶ Color: orange

Mounting type: Panel mounting ▶ Mounting type: Snap-in foot



231-306/008-000

Pole No.	Item No.	PU
2	231-302/008-000	100
3	231-303/008-000	100
4	231-304/008-000	100
5	231-305/008-000	100
6	231-306/008-000	50
7	231-307/008-000	50
8	231-308/008-000	50
9	231-309/008-000	50
10	231-310/008-000	50
11	231-311/008-000	25
12	231-312/008-000	25
13	231-313/008-000	25
14	231-314/008-000	25
15	231-315/008-000	25
16	231-316/008-000	25
17	231-317/008-000	25
18	231-318/008-000	10
19	231-319/008-000	10
20	231-320/008-000	10
21	231-321/008-000	10
22	231-322/008-000	10
23	231-323/008-000	10
24	231-324/008-000	10



$L = (\text{pole no.} \times \text{pin spacing}) + 1.5 \text{ mm}$

2- to 3-pole female connectors – one latch only

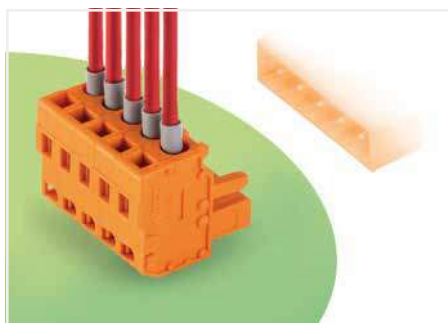
PU = Packaging Unit; SPU = Subpackaging Unit; Dimensions in mm

Other versions (or variants) can be requested from WAGO Sales or configured at <https://configurator.wago.com/>.

- Gold-plated or partially gold-plated contact surfaces

1-conductor female plug ▶ MCS MIDI Classic ▶ 232 Series

Pin spacing: 5.08 mm / 0.2 inch ▶ Actuation type: Operating tool ▶ CAGE CLAMP® ▶ Color: orange



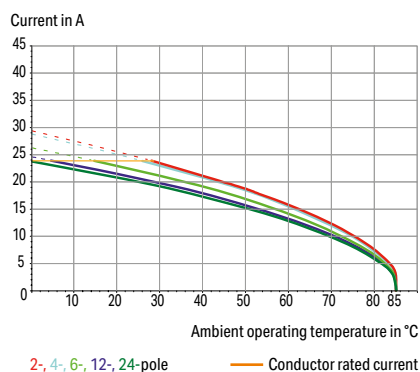
- Universal connection for all conductor types
- Easy cable pre-assembly and on-unit wiring via vertical and horizontal CAGE CLAMP® actuation
- Integrated test ports
- With coding fingers

Derating Curve

1-conductor female connector (231-102/026-000) with
THT male header (231-432/001-000)

Pin spacing: 5 mm / Conductor cross-section: 2.5 mm² "f-st"

Based on: EN 60512-5-2 / Reduction factor: 0.8



Electrical Data

Ratings per	IEC/EN 60664-1		
Overvoltage category	III	III	II
Pollution degree	3	2	2
Rated voltage	320 V	320 V	630 V
Rated impulse voltage	4 kV	4 kV	4 kV
Rated current	14 A	14 A	14 A
Approbations per	UL 1059		
Use group	B	C	D
Rated voltage	300 V	-	300 V
Rated current	15 A	-	10 A
Approbations per	UL 1977		
Rated voltage	600 V		
Rated current	15 A		
Approbations per	CSA		
Use group	B	C	D
Rated voltage	300 V	-	300 V
Rated current	15 A	-	10 A

Connection Data

Connection technology	CAGE CLAMP®
Strip length	8 ... 9 mm / 0.31 ... 0.35 inch
Solid conductor	0.08 ... 2.5 mm ² / 28 ... 12 AWG
Fine-stranded conductor	0.08 ... 2.5 mm ² / 28 ... 12 AWG
Fine-stranded conductor; with insulated ferrule	0.25 ... 1.5 mm ²
Fine-stranded conductor; with uninsulated ferrule	0.25 ... 2.5 mm ²

Material Data

Material group	I
Insulation material	Polyamide (PA66)
Flammability class per UL94	V0
Clamping spring material	Chrome nickel spring steel (CrNi)
Contact material	Copper alloy
Contact plating	Tin-plated

Environmental Requirements

Limit temperature range	-60 ... +85 °C
-------------------------	----------------

The MCS – MULTI CONNECTION SYSTEM includes connectors without breaking capacity in accordance with DIN EN 61984. When used as intended, these connectors must not be connected/disconnected when live or under load. The circuit design should ensure header pins, which can be touched, are not live when unmated.

Ferrule	Page 879
General accessories	Page 727
Insulation stop	Page 727
Jumper	Page 733
Marking	Page 865
Strain relief	Page 730
Test and measurement	Page 725, 886
Tool	Page 538
Direct marking	Page 734
See technical section for further information	
For approvals and corresponding ratings, visit www.wago.com	

1-conductor female plug ▶ MCS MIDI Classic ▶ 232 Series

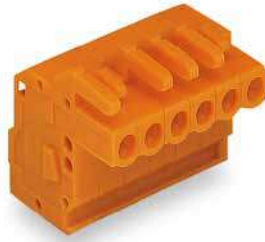
Pin spacing: 5.08 mm / 0.2 inch ▶ Actuation type: Operating tool ▶ CAGE CLAMP® ▶ Color: orange

Conductor entry direction to mating direction: 90°

Conductor entry direction to mating direction: 270°



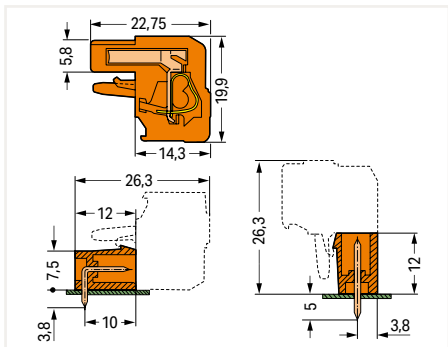
232-406/026-000



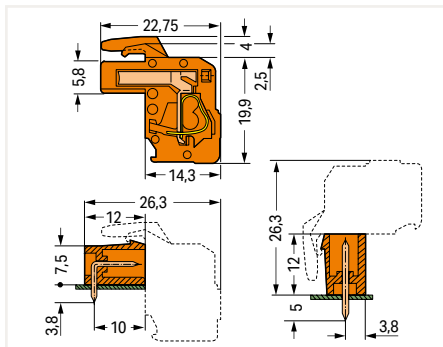
232-306/026-000

Pole No.	Item No.	PU
2	232-402/026-000	100
3	232-403/026-000	100
4	232-404/026-000	100
5	232-405/026-000	100
6	232-406/026-000	50
7	232-407/026-000	50
8	232-408/026-000	50
9	232-409/026-000	50
10	232-410/026-000	50
11	232-411/026-000	25
12	232-412/026-000	25
13	232-413/026-000	25
14	232-414/026-000	25
15	232-415/026-000	25
16	232-416/026-000	25
17	232-417/026-000	25
18	232-418/026-000	10
19	232-419/026-000	10
20	232-420/026-000	10
21	232-421/026-000	10
22	232-422/026-000	10
23	232-423/026-000	10
24	232-424/026-000	10

Pole No.	Item No.	PU
2	232-302/026-000	100
3	232-303/026-000	100
4	232-304/026-000	100
5	232-305/026-000	100
6	232-306/026-000	50
7	232-307/026-000	50
8	232-308/026-000	50
9	232-309/026-000	50
10	232-310/026-000	50
11	232-311/026-000	25
12	232-312/026-000	25
13	232-313/026-000	25
14	232-314/026-000	25
15	232-315/026-000	25
16	232-316/026-000	25
17	232-317/026-000	25
18	232-318/026-000	10
19	232-319/026-000	10
20	232-320/026-000	10
21	232-321/026-000	10
22	232-322/026-000	10
23	232-323/026-000	10
24	232-324/026-000	10



Total length = (pole no. x pin spacing) + 1.5 mm + 0.9 mm
2- to 3-pole female connectors – one latch only



Total length = (pole no. x pin spacing) + 1.5 mm + 0.9 mm
2- to 3-pole female connectors – one latch only

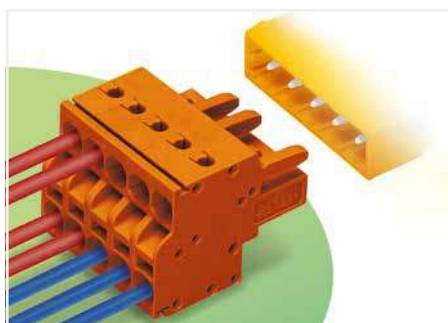
PU = Packaging Unit; SPU = Subpackaging Unit; Dimensions in mm

Other versions (or variants) can be requested from WAGO Sales or configured at <https://configurator.wago.com/>.

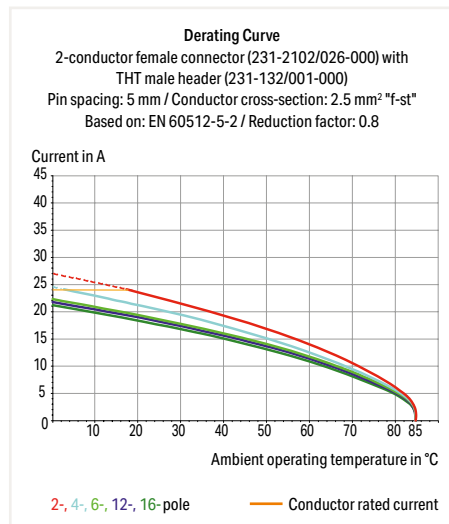
- Gold-plated or partially gold-plated contact surfaces

2-conductor female connector ▶ MCS MIDI Classic ▶ 231 Series

Pin spacing: 5.08 mm / 0.2 inch ▶ Actuation type: Operating tool ▶ Push-in CAGE CLAMP® ▶ Conductor entry direction to mating direction: 0° ▶ Color: orange



- Universal connection for all conductor types
- Two conductor entries per pole
- For looping through power or data buses
- Bus connection is retained, even when unmated
- Push-in termination of solid and ferruled conductors
- With coding fingers

**Electrical Data**

Ratings per	IEC/EN 60664-1		
Overvoltage category	III	III	II
Pollution degree	3	2	2
Rated voltage	320 V	320 V	630 V
Rated impulse voltage	4 kV	4 kV	4 kV
Rated current	16 A	16 A	16 A
Approbations per	UL 1059		
Use group	B	C	D
Rated voltage	300 V	-	300 V
Rated current	20 A	-	10 A
Approbations per	UL 1977		
Rated voltage	600 V		
Rated current	20 A		
Approbations per	CSA		
Use group	B	C	D
Rated voltage	300 V	-	300 V
Rated current	15 A	-	10 A

Connection Data

Connection technology	Push-in CAGE CLAMP®
Strip length	9 ... 10 mm / 0.35 ... 0.39 inch
Solid conductor	0.2 ... 2.5 mm ² / 24 ... 12 AWG
Fine-stranded conductor	0.2 ... 2.5 mm ² / 24 ... 12 AWG
Fine-stranded conductor; with insulated ferrule	0.25 ... 1.5 mm ²
Fine-stranded conductor; with uninsulated ferrule	0.25 ... 2.5 mm ²

Material Data

Material group	I
Insulation material	Polyamide (PA66)
Flammability class per UL94	V0
Clamping spring material	Chrome nickel spring steel (CrNi)
Contact material	Copper alloy
Contact plating	Tin-plated

Environmental Requirements

Limit temperature range	-60 ... +85 °C
-------------------------	----------------

The MCS – MULTI CONNECTION SYSTEM includes connectors without breaking capacity in accordance with DIN EN 61984. When used as intended, these connectors must not be connected/disconnected when live or under load. The circuit design should ensure header pins, which can be touched, are not live when unmated.

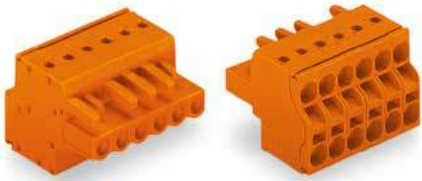
Ferrule	Page 879
Insulation stop	Page 727
Marking	Page 865
Strain relief	Page 729
Test and measurement	Page 725
Tool	Page 725, 870
Direct marking	Page 734
See technical section for further information	
For approvals and corresponding ratings, visit www.wago.com	

2-conductor female connector ▶ MCS MIDI Classic ▶ 231 Series

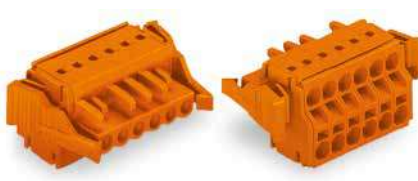
Pin spacing: 5.08 mm / 0.2 inch ▶ Actuation type: Operating tool ▶ Push-in CAGE CLAMP® ▶ Conductor entry direction to mating direction: 0° ▶ Color: orange

Locking of plug-in connection: Locking lever

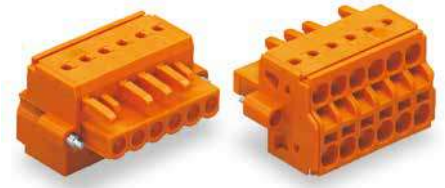
Locking of plug-in connection: Screw flange



231-2306/026-000



231-2306/037-000

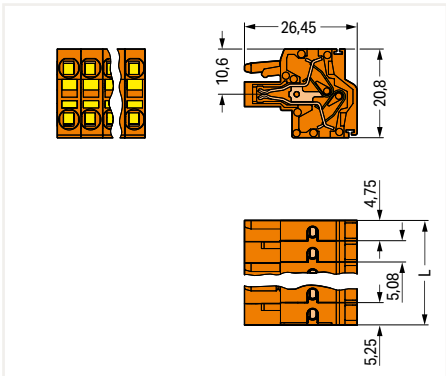


231-2306/107-000

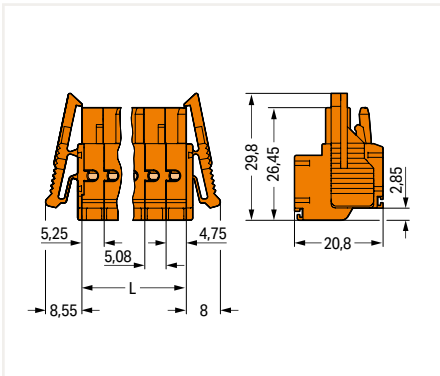
Pole No.	Item No.	PU
2	231-2302/026-000	100
3	231-2303/026-000	100
4	231-2304/026-000	100
5	231-2305/026-000	50
6	231-2306/026-000	50
7	231-2307/026-000	50
8	231-2308/026-000	50
9	231-2309/026-000	50
10	231-2310/026-000	50
11	231-2311/026-000	25
12	231-2312/026-000	25
13	231-2313/026-000	25
14	231-2314/026-000	25
15	231-2315/026-000	25
16	231-2316/026-000	25

Pole No.	Item No.	PU
2	231-2302/037-000	100
3	231-2303/037-000	50
4	231-2304/037-000	50
5	231-2305/037-000	50
6	231-2306/037-000	50
7	231-2307/037-000	50
8	231-2308/037-000	25
9	231-2309/037-000	25
10	231-2310/037-000	25
11	231-2311/037-000	25
12	231-2312/037-000	25
13	231-2313/037-000	25
14	231-2314/037-000	25
15	231-2315/037-000	25
16	231-2316/037-000	10

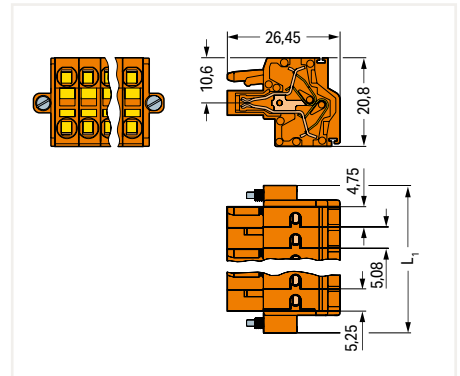
Pole No.	Item No.	PU
2	231-2302/107-000	100
3	231-2303/107-000	100
4	231-2304/107-000	50
5	231-2305/107-000	50
6	231-2306/107-000	50
7	231-2307/107-000	50
8	231-2308/107-000	50
9	231-2309/107-000	25
10	231-2310/107-000	25
12	231-2312/107-000	25
14	231-2314/107-000	25
15	231-2315/107-000	25
16	231-2316/107-000	10



L = (pole no. - 2) x pin spacing + 10 mm
2- to 3-pole female connectors – one latch only



L = (pole no. - 2) x pin spacing + 10 mm
2- to 3-pole female connectors – one latch only



L1 = (pole no. - 2) x pin spacing + 20 mm
2- to 3-pole female connectors – one latch only

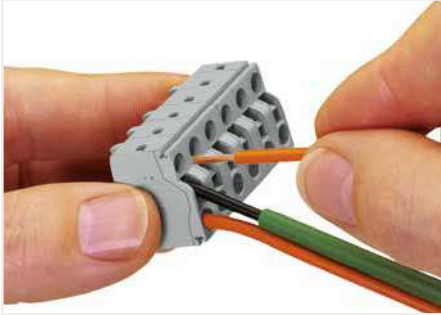
PU = Packaging Unit; SPU = Subpackaging Unit; Dimensions in mm

Other versions (or variants) can be requested from WAGO Sales or configured at <https://configurator.wago.com/>.

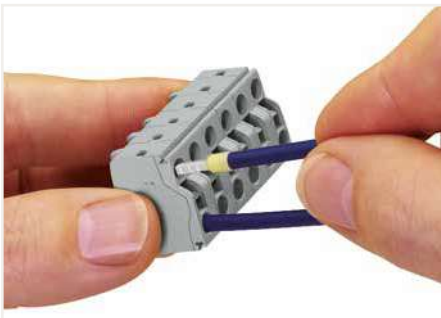
- Gold-plated or partially gold-plated contact surfaces

2-conductor female connector ▶ MCS MIDI Classic ▶ 231 Series

Pin spacing: 5.08 mm / 0.2 inch ▶ Actuation type: Operating tool ▶ Push-in CAGE CLAMP® ▶ Conductor entry direction to mating direction: 0 ° ▶ Color: orange



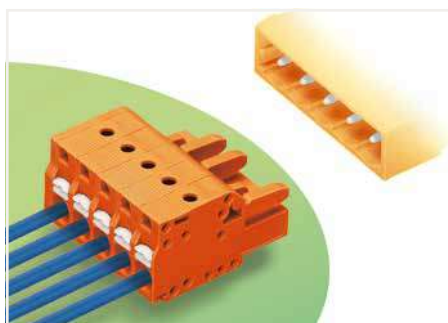
Operating Push-in CAGE CLAMP® is easy, fast and identical to that of CAGE CLAMP®. The screwdriver is fully inserted into the operating slot, holding Push-in CAGE CLAMP® open. After the conductor has been inserted into the clamping unit and the screwdriver been withdrawn, the conductor is clamped safely. Solid and fine-stranded conductors <math>< 0.5 \text{ mm}^2</math> (20 AWG) are terminated and removed using a screwdriver.



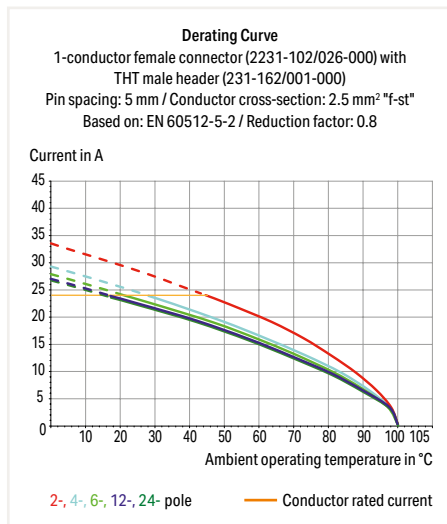
Solid conductors $\geq 0.5 \text{ mm}^2$ (20 AWG), as well as feruled, fine-stranded conductors can be terminated by simply pushing them into unit. Integrated test ports allow touch contact with current bar via test probes in both horizontal and vertical directions.

1-conductor female plug ▶ MCS MIDI Classic ▶ 2231 Series

Pin spacing: 5.08 mm / 0.2 inch ▶ Actuation type: Push-button ▶ Push-in CAGE CLAMP® ▶ Conductor entry direction to mating direction: 0° ▶ Color: orange



- Universal connection for all conductor types
- Easy-to-use design does not require specialty tools
- Ability to wire while mated
- Push-in termination of solid and ferruled conductors
- Integrated test ports for testing parallel to the conductor entry
- Coding option available



Electrical Data

Ratings per	IEC/EN 60664-1		
Overvoltage category	III	III	II
Pollution degree	3	2	2
Rated voltage	320 V	320 V	630 V
Rated impulse voltage	4 kV	4 kV	4 kV
Rated current	16 A	16 A	16 A
Approbations per	UL 1059		
Use group	B	C	D
Rated voltage	300 V	150 V	300 V
Rated current	15 A	15 A	10 A
Approbations per	UL 1977		
Rated voltage	600 V		
Rated current	15 A		
Approbations per	CSA		
Use group	B	C	D
Rated voltage	300 V	150 V	300 V
Rated current	15 A	15 A	10 A

Connection Data

Connection technology	Push-in CAGE CLAMP®
Strip length	10 ... 11 mm / 0.39 ... 0.43 inch
Solid conductor	0.2 ... 2.5 mm ² / 24 ... 12 AWG
Fine-stranded conductor	0.2 ... 2.5 mm ² / 24 ... 12 AWG
Fine-stranded conductor; with insulated ferrule	0.25 ... 1.5 mm ²
Fine-stranded conductor; with uninsulated ferrule	0.25 ... 2.5 mm ²

Material Data

Material group	I
Insulation material	Polyamide (PA66)
Flammability class per UL94	V0
Clamping spring material	Chrome nickel spring steel (CrNi)
Contact material	Copper alloy
Contact plating	Tin-plated

Environmental Requirements

Limit temperature range	-60 ... +100 °C
-------------------------	-----------------

The MCS – MULTI CONNECTION SYSTEM includes connectors without breaking capacity in accordance with DIN EN 61984. When used as intended, these connectors must not be connected/disconnected when live or under load. The circuit design should ensure header pins, which can be touched, are not live when unmated.

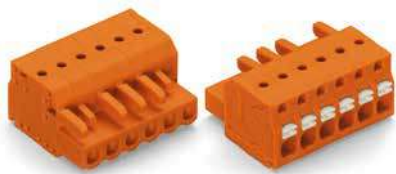
Ferrule	Page 879
Insulation stop	Page 727
Marking	Page 865
Mounting	Page 732, 869
Mounting adapter	Page 733
Strain relief	Page 729
Test and measurement	Page 725, 886
Tool	Page 870
Direct marking	Page 734
Cutout dimensions	Page 738
See technical section for further information	
For approvals and corresponding ratings, visit www.wago.com	

1-conductor female plug ▶ MCS MIDI Classic ▶ 2231 Series

Pin spacing: 5.08 mm / 0.2 inch ▶ Actuation type: Push-button ▶ Push-in CAGE CLAMP® ▶ Conductor entry direction to mating direction: 0° ▶ Color: orange

Plugging without loss of pin spacing

Locking of plug-in connection: Locking lever



2231-306/026-000



2231-306/102-000



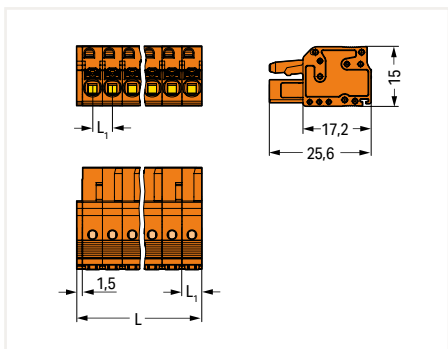
2231-306/037-000

Pole No.	Item No.	PU
2	2231-302/026-000	100
3	2231-303/026-000	100
4	2231-304/026-000	100
5	2231-305/026-000	100
6	2231-306/026-000	50
7	2231-307/026-000	50
8	2231-308/026-000	50
9	2231-309/026-000	50
10	2231-310/026-000	50
11	2231-311/026-000	25
12	2231-312/026-000	25
13	2231-313/026-000	25
14	2231-314/026-000	25
15	2231-315/026-000	25
16	2231-316/026-000	25
17	2231-317/026-000	25
18	2231-318/026-000	10
19	2231-319/026-000	10
20	2231-320/026-000	10
21	2231-321/026-000	10
22	2231-322/026-000	10
23	2231-323/026-000	10
24	2231-324/026-000	10

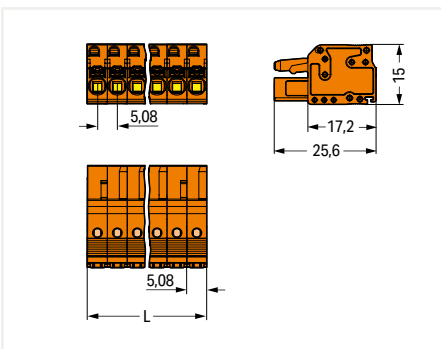
Pole No.	Item No.	PU
2	2231-302/102-000	100
3	2231-303/102-000	100
4	2231-304/102-000	100
5	2231-305/102-000	100
6	2231-306/102-000	50
7	2231-307/102-000	50
8	2231-308/102-000	50
9	2231-309/102-000	50
10	2231-310/102-000	50
11	2231-311/102-000	25
12	2231-312/102-000	25
13	2231-313/102-000	25
14	2231-314/102-000	25
15	2231-315/102-000	25
16	2231-316/102-000	25
17	2231-317/102-000	25
18	2231-318/102-000	10
19	2231-319/102-000	10
20	2231-320/102-000	10
21	2231-321/102-000	10
22	2231-322/102-000	10
23	2231-323/102-000	10
24	2231-324/102-000	10

Pole No.	Item No.	PU
2	2231-302/037-000	100
3	2231-303/037-000	50
4	2231-304/037-000	50
5	2231-305/037-000	50
6	2231-306/037-000	50
7	2231-307/037-000	50
8	2231-308/037-000	25
9	2231-309/037-000	25
10	2231-310/037-000	25
11	2231-311/037-000	25
12	2231-312/037-000	25
13	2231-313/037-000	25
14	2231-314/037-000	25
15	2231-315/037-000	25
16	2231-316/037-000	10
17	2231-317/037-000	10
18	2231-318/037-000	10
19	2231-319/037-000	10
20	2231-320/037-000	10
21	2231-321/037-000	10
22	2231-322/037-000	10
23	2231-323/037-000	10
24	2231-324/037-000	10

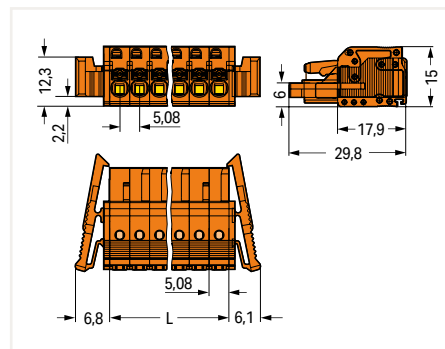
9



L = (pole no. x pin spacing) + 1.5 mm
 L₁ = 5,08 mm
 2- to 3-pole female connectors – one latch only



L = pole no. x pin spacing
 2- to 3-pole female connectors – one latch only



L = pole no. x pin spacing
 2- to 3-pole female connectors – one latch only

PU = Packaging Unit; SPU = Subpackaging Unit; Dimensions in mm

Other versions (or variants) can be requested from WAGO Sales or configured at <https://configurator.wago.com/>.

- Gold-plated or partially gold-plated contact surfaces

1-conductor female plug ▶ MCS MIDI Classic ▶ 2231 Series

Pin spacing: 5.08 mm / 0.2 inch ▶ Actuation type: Push-button ▶ Push-in CAGE CLAMP® ▶ Conductor entry direction to mating direction: 0° ▶ Color: orange

Locking of plug-in connection: Screw flange

Mounting type: Feed-through mounting; Panel mounting
▶ Mounting type: Mounting flange

Mounting type: Panel mounting ▶ Mounting type: Snap-in foot



2231-306/107-000

2231-306/031-000

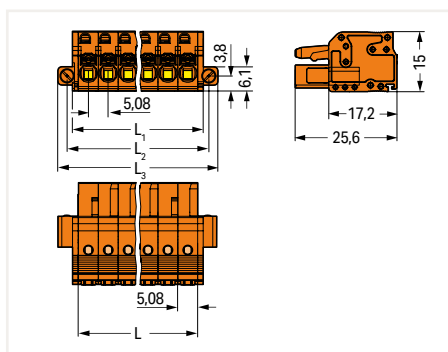
2231-306/008-000

Pole No.	Item No.	PU
2	2231-302/107-000	100
3	2231-303/107-000	100
4	2231-304/107-000	50
5	2231-305/107-000	50
6	2231-306/107-000	50
7	2231-307/107-000	50
8	2231-308/107-000	50
9	2231-309/107-000	25
10	2231-310/107-000	25
12	2231-312/107-000	25
14	2231-314/107-000	25
15	2231-315/107-000	25
16	2231-316/107-000	10

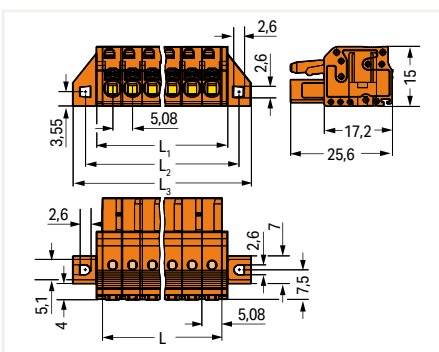
Pole No.	Item No.	PU
2	2231-302/031-000	100
3	2231-303/031-000	50
4	2231-304/031-000	50
5	2231-305/031-000	50
6	2231-306/031-000	50
7	2231-307/031-000	50
8	2231-308/031-000	50
9	2231-309/031-000	50
10	2231-310/031-000	25
11	2231-311/031-000	25
12	2231-312/031-000	25
13	2231-313/031-000	25
14	2231-314/031-000	25
15	2231-315/031-000	25
16	2231-316/031-000	10
17	2231-317/031-000	10
18	2231-318/031-000	10
19	2231-319/031-000	10
20	2231-320/031-000	10
21	2231-321/031-000	10
22	2231-322/031-000	10
23	2231-323/031-000	10
24	2231-324/031-000	10

Pole No.	Item No.	PU
2	2231-302/008-000	100
3	2231-303/008-000	100
4	2231-304/008-000	100
5	2231-305/008-000	100
6	2231-306/008-000	50
7	2231-307/008-000	50
8	2231-308/008-000	50
9	2231-309/008-000	50
10	2231-310/008-000	50
11	2231-311/008-000	25
12	2231-312/008-000	25
13	2231-313/008-000	25
14	2231-314/008-000	25
15	2231-315/008-000	25
16	2231-316/008-000	25
17	2231-317/008-000	25
18	2231-318/008-000	10
19	2231-319/008-000	10
20	2231-320/008-000	10
21	2231-321/008-000	10
22	2231-322/008-000	10
23	2231-323/008-000	10
24	2231-324/008-000	10

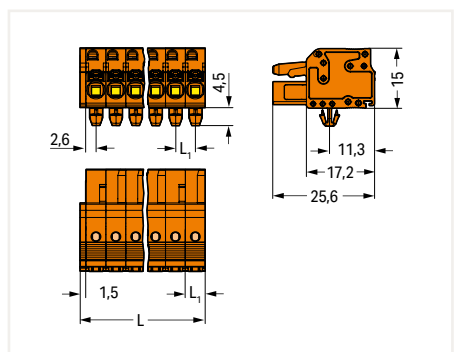
9



L = pole no. x pin spacing
 $L_1 = L + 2.8 \text{ mm}$
 $L_2 = L + 5.4 \text{ mm}$
 $L_3 = L + 10 \text{ mm}$
 2- to 3-pole female connectors – one latch only



L = pole no. x pin spacing
 $L_1 = L + 2.8 \text{ mm}$
 $L_2 = L + 8.8 \text{ mm}$
 $L_3 = L + 14.8 \text{ mm}$
 2- to 3-pole female connectors – one latch only



L = (pole no. x pin spacing) + 1.5 mm
 $L_1 = 5.08 \text{ mm}$
 2- to 3-pole female connectors – one latch only

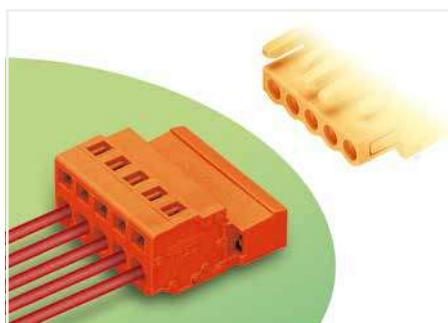
PU = Packaging Unit; SPU = Subpackaging Unit; Dimensions in mm

Other versions (or variants) can be requested from WAGO Sales or configured at <https://configurator.wago.com/>.

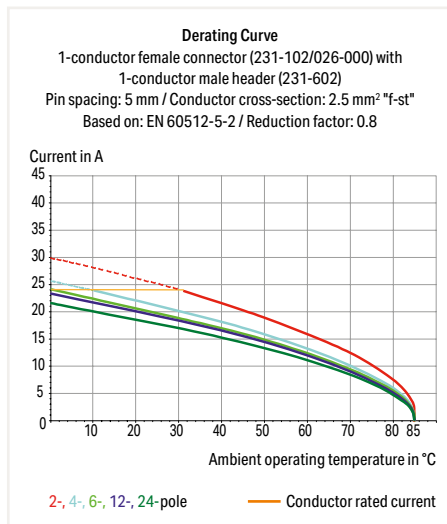
- Gold-plated or partially gold-plated contact surfaces

1-conductor male connector ▶ MCS MIDI Classic ▶ 231 Series

Pin spacing: 5.08 mm / 0.2 inch ▶ Actuation type: Operating tool ▶ CAGE CLAMP® ▶ Conductor entry direction to mating direction: 0° ▶ Color: orange



- Universal connection for all conductor types
- Easy cable pre-assembly and on-unit wiring via vertical and horizontal CAGE CLAMP® actuation
- For wire-to-wire and board-to-wire connections
- Versions available with snap-in mounting feet or flanges for panel or through-panel mounting
- With coding fingers

**Electrical Data**

Ratings per	IEC/EN 60664-1		
Overvoltage category	III	III	II
Pollution degree	3	2	2
Rated voltage	320 V	320 V	630 V
Rated impulse voltage	4 kV	4 kV	4 kV
Rated current	12 A	12 A	12 A
Approbations per	UL 1059		
Use group	B	C	D
Rated voltage	300 V	-	300 V
Rated current	15 A	-	10 A
Approbations per	UL 1977		
Rated voltage	600 V		
Rated current	15 A		
Approbations per	CSA		
Use group	B	C	D
Rated voltage	300 V	-	300 V
Rated current	15 A	-	10 A

Connection Data

Connection technology	CAGE CLAMP®
Strip length	8 ... 9 mm / 0.31 ... 0.35 inch
Solid conductor	0.08 ... 2.5 mm ² / 28 ... 12 AWG
Fine-stranded conductor	0.08 ... 2.5 mm ² / 28 ... 12 AWG
Fine-stranded conductor; with insulated ferrule	0.25 ... 1.5 mm ²
Fine-stranded conductor; with uninsulated ferrule	0.25 ... 2.5 mm ²

Material Data

Material group	I
Insulation material	Polyamide (PA66)
Flammability class per UL94	V0
Clamping spring material	Chrome nickel spring steel (CrNi)
Contact material	Electrolytic copper (E _{cu})
Contact plating	Tin-plated

Environmental Requirements

Limit temperature range	-60 ... +100 °C
-------------------------	-----------------

The MCS – MULTI CONNECTION SYSTEM includes connectors without breaking capacity in accordance with DIN EN 61984. When used as intended, these connectors must not be connected/disconnected when live or under load. The circuit design should ensure header pins, which can be touched, are not live when unmated.

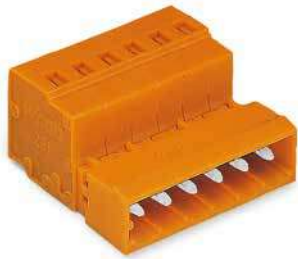
Coding	Page 726
Ferrule	Page 879
General accessories	Page 727
Insulation stop	Page 727
Jumper	Page 733
Marking	Page 865
Mounting	Page 732, 869
Mounting adapter	Page 733
Strain relief	Page 730
Tool	Page 538, 870
Direct marking	Page 734
Cutout dimensions	Page 738
See technical section for further information	
For approvals and corresponding ratings, visit www.wago.com	

1-conductor male connector ▶ MCS MIDI Classic ▶ 231 Series

Pin spacing: 5.08 mm / 0.2 inch ▶ Actuation type: Operating tool ▶ CAGE CLAMP® ▶ Conductor entry direction to mating direction: 0° ▶ Color: orange

Locking of plug-in connection: Threaded flange

Mounting type: Feed-through mounting; Panel mounting
▶ Mounting type: Mounting flange



231-636/109-000

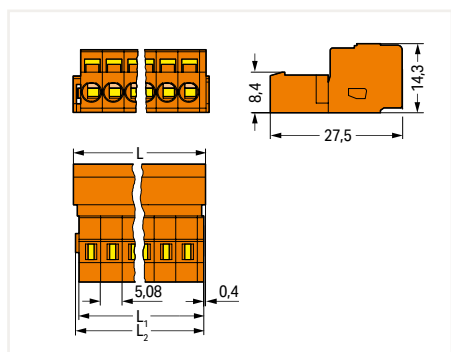
231-636/019-000

Pole No.	Item No.	PU
2	231-632	100
3	231-633	100
4	231-634	100
5	231-635	50
6	231-636	50
7	231-637	50
8	231-638	50
9	231-639	50
10	231-640	50
11	231-641	25
12	231-642	25
13	231-643	25
14	231-644	25
15	231-645	25
16	231-646	25
17	231-647	25
18	231-648	10
19	231-649	10
20	231-650	10
21	231-651	10
22	231-652	10
23	231-653	10
24	231-654	10

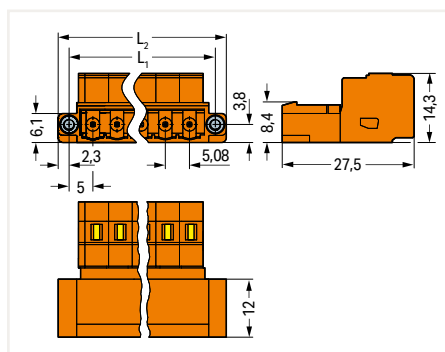
Pole No.	Item No.	PU
2	231-632/109-000	100
3	231-633/109-000	50
4	231-634/109-000	50
5	231-635/109-000	50
6	231-636/109-000	50
7	231-637/109-000	50
8	231-638/109-000	50
9	231-639/109-000	25
10	231-640/109-000	25
12	231-642/109-000	25
14	231-644/109-000	25
15	231-645/109-000	25
16	231-646/109-000	10

Pole No.	Item No.	PU
2	231-632/019-000	100
3	231-633/019-000	50
4	231-634/019-000	50
5	231-635/019-000	50
6	231-636/019-000	50
7	231-637/019-000	50
8	231-638/019-000	50
9	231-639/019-000	25
10	231-640/019-000	25
11	231-641/019-000	25
12	231-642/019-000	25
13	231-643/019-000	25
14	231-644/019-000	25
15	231-645/019-000	25
16	231-646/019-000	10
17	231-647/019-000	10
18	231-648/019-000	10
19	231-649/019-000	10
20	231-650/019-000	10
21	231-651/019-000	10
22	231-652/019-000	10
23	231-653/019-000	10
24	231-654/019-000	10

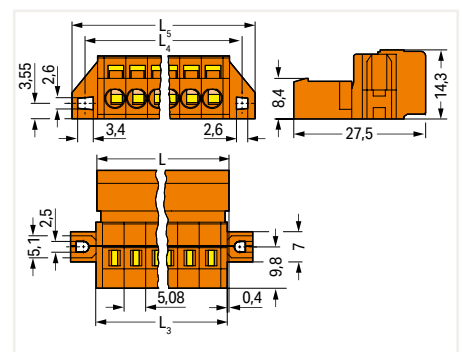
9



$L = (\text{pole no.} - 1) \times \text{pin spacing} + 8.2 \text{ mm}$
 $L_1 = L - 1.7 \text{ mm}$
 $L_2 = L - 1.2 \text{ mm}$



$L_1 = (\text{pole no.} \times \text{pin spacing}) + 5.4 \text{ mm}$
 $L_2 = (\text{pole no.} \times \text{pin spacing}) + 10 \text{ mm}$



$L = (\text{pole no.} - 1) \times \text{pin spacing} + 8.2 \text{ mm}$
 $L_3 = L - 0.2 \text{ mm}$
 $L_4 = L_3 + 5.8 \text{ mm}$
 $L_5 = L_3 + 11.8 \text{ mm}$

PU = Packaging Unit; SPU = Subpackaging Unit; Dimensions in mm

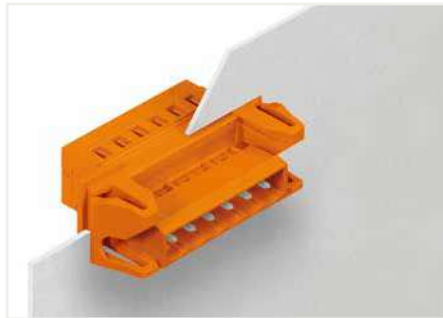
Other versions (or variants) can be requested from WAGO Sales or configured at <https://configurator.wago.com/>.

- Other pole numbers
- Gold-plated or partially gold-plated contact surfaces

1-conductor male connector ▶ MCS MIDI Classic ▶ 231 Series

Pin spacing: 5.08 mm / 0.2 inch ▶ Actuation type: Operating tool ▶ CAGE CLAMP® ▶ Conductor entry direction to mating direction: 0° ▶ Color: orange

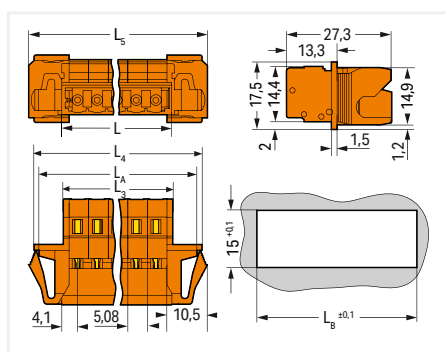
Mounting type: Feed-through mounting ▶ Mounting type: Snap-in



231-636/114-000

Male connector, with snap-in flanges, for feedthrough applications, for 0.5 ... 2.5 mm plate thickness

Pole No.	Item No.	PU
2	231-632/114-000	50
3	231-633/114-000	50
4	231-634/114-000	50
5	231-635/114-000	50
6	231-636/114-000	50
7	231-637/114-000	25
8	231-638/114-000	25
9	231-639/114-000	25
10	231-640/114-000	25
11	231-641/114-000	25
12	231-642/114-000	25
13	231-643/114-000	25
14	231-644/114-000	25
15	231-645/114-000	10
16	231-646/114-000	10
17	231-647/114-000	10
18	231-648/114-000	10
19	231-649/114-000	10
20	231-650/114-000	10
21	231-651/114-000	10
22	231-652/114-000	10
23	231-653/114-000	10
24	231-654/114-000	10



$L = (\text{pole no.} \times \text{pin spacing}) + 3.2 \text{ mm}$

$L_3 = L - 0.2 \text{ mm}$

$L_4 = L_3 + 15.2 \text{ mm}$

$L_5 = L_3 + 18 \text{ mm}$

$L_6 = L_3 + 12.6 \text{ mm}$

$L_8 = L_3 + 13.2 \text{ mm}$

PU = Packaging Unit; SPU = Subpackaging Unit; Dimensions in mm

Other versions (or variants) can be requested from WAGO Sales or configured at <https://configurator.wago.com/>.

- Other pole numbers
- Gold-plated or partially gold-plated contact surfaces

1-conductor male connector ▶ MCS MIDI Classic ▶ 231 Series

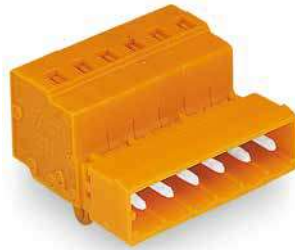
Pin spacing: 5.08 mm / 0.2 inch ▶ Actuation type: Operating tool ▶ CAGE CLAMP® ▶ Conductor entry direction to mating direction: 0° ▶ Color: orange

Mounting type: Feed-through mounting ▶ Mounting type: Snap-in ▶ Locking of plug-in connection: Threaded flange

Mounting type: Panel mounting ▶ Mounting type: Snap-in foot



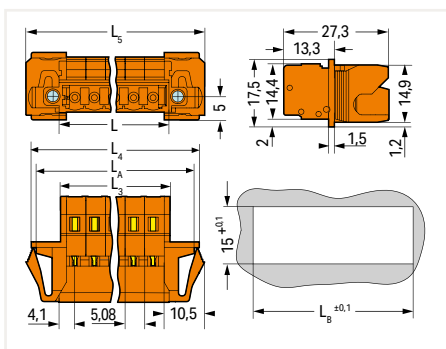
231-636/129-000



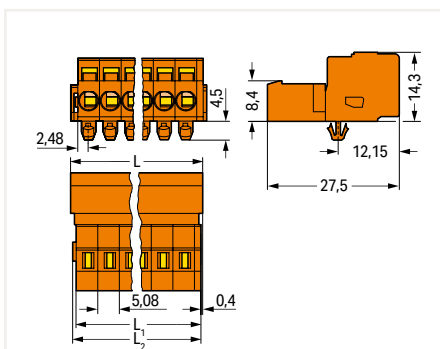
231-636/018-000

Pole No.	Item No.	PU
2	231-632/129-000	50
3	231-633/129-000	50
4	231-634/129-000	50
5	231-635/129-000	50
6	231-636/129-000	50
7	231-637/129-000	25
8	231-638/129-000	25
9	231-639/129-000	25
10	231-640/129-000	25
12	231-642/129-000	25
14	231-644/129-000	25
15	231-645/129-000	10
16	231-646/129-000	10

Pole No.	Item No.	PU
2	231-632/018-000	100
3	231-633/018-000	100
4	231-634/018-000	100
5	231-635/018-000	50
6	231-636/018-000	50
7	231-637/018-000	50
8	231-638/018-000	50
9	231-639/018-000	50
10	231-640/018-000	50
11	231-641/018-000	25
12	231-642/018-000	25
13	231-643/018-000	25
14	231-644/018-000	25
15	231-645/018-000	25
16	231-646/018-000	25
17	231-647/018-000	25
18	231-648/018-000	10
19	231-649/018-000	10
20	231-650/018-000	10
21	231-651/018-000	10
22	231-652/018-000	10
23	231-653/018-000	10
24	231-654/018-000	10



$L = (\text{pole no.} \times \text{pin spacing}) + 3.2 \text{ mm}$
 $L_3 = L - 0.2 \text{ mm}$
 $L_4 = L_3 + 15.2 \text{ mm}$
 $L_5 = L_3 + 18 \text{ mm}$
 $L_A = L_3 + 12.6 \text{ mm}$
 $L_B = L_3 + 13.2 \text{ mm}$



$L = (\text{pole no.} - 1) \times \text{pin spacing} + 8.2 \text{ mm}$
 $L_1 = L - 1.7 \text{ mm}$
 $L_2 = L - 1.2 \text{ mm}$

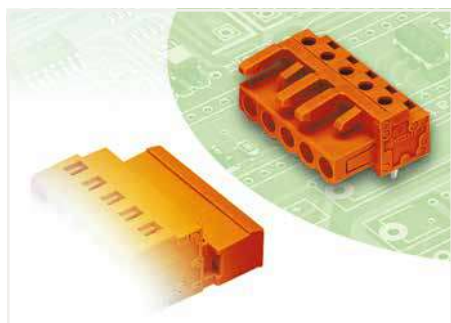
PU = Packaging Unit; SPU = Subpackaging Unit; Dimensions in mm

Other versions (or variants) can be requested from WAGO Sales or configured at <https://configurator.wago.com/>.

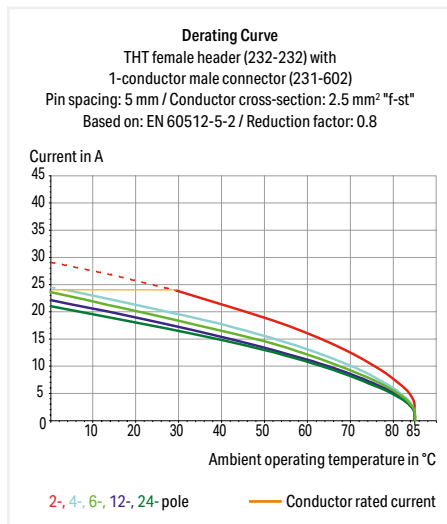
- Other pole numbers
- Gold-plated or partially gold-plated contact surfaces

THT female header ▶ MCS MIDI Classic ▶ 232 Series

Pin spacing: 5.08 mm / 0.2 inch ▶ Solder pin dimensions: 0.6 x 1 mm ▶ Color: orange



- Horizontal or vertical PCB mounting via straight or angled solder pins
- For board-to-board and board-to-wire connections
- Touch-proof PCB outputs
- Easy-to-identify PCB inputs and outputs
- With coding fingers



Electrical Data

Ratings per	IEC/EN 60664-1		
Overvoltage category	III	III	II
Pollution degree	3	2	2
Rated voltage	320 V	320 V	630 V
Rated impulse voltage	4 kV	4 kV	4 kV
Rated current	12 A	12 A	12 A
Approbations per	UL 1059		
Use group	B	C	D
Rated voltage	300 V	-	300 V
Rated current	15 A	-	10 A
Approbations per	UL 1977		
Rated voltage	600 V		
Rated current	15 A		
Approbations per	CSA		
Use group	B	C	D
Rated voltage	300 V	-	300 V
Rated current	15 A	-	10 A

Material Data

Material group	I
Insulation material	Polyamide (PA66)
Flammability class per UL94	V0
Contact material	Copper alloy
Contact plating	Tin-plated

Mechanical Data

Solder pin arrangement	Over the entire female connector (in-line)
Solder pin length	5 mm
Solder pin dimensions	0.6 x 1 mm
Drilled hole diameter with tolerance	1.3 ^(±0.1) mm

Environmental Requirements

Limit temperature range	-60 ... +85 °C
-------------------------	----------------

The MCS – MULTI CONNECTION SYSTEM includes connectors without breaking capacity in accordance with DIN EN 61984. When used as intended, these connectors must not be connected/disconnected when live or under load. The circuit design should ensure header pins, which can be touched, are not live when unmated.

Mounting Page 869

Test and measurement Page 725, 886

Cutout dimensions Page 738

See technical section for further information

For approvals and corresponding ratings, visit www.wago.com

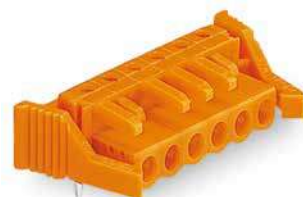
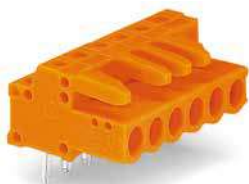
THT female header ▶ MCS MIDI Classic ▶ 232 Series

Pin spacing: 5.08 mm / 0.2 inch ▶ Solder pin dimensions: 0.6 x 1 mm ▶ Color: orange

Mating direction to the PCB: 0°

Mating direction to the PCB: 90°

Locking of plug-in connection: Locking lever ▶ Mating direction to the PCB: 0°



232-266

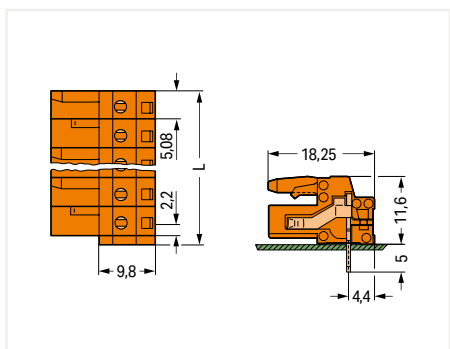
232-266/039-000

Pole No.	Item No.	PU
2	232-262	100
3	232-263	100
4	232-264	100
5	232-265	100
6	232-266	50
7	232-267	50
8	232-268	50
9	232-269	50
10	232-270	50
11	232-271	25
12	232-272	25
13	232-273	25
14	232-274	25
15	232-275	25
16	232-276	25
17	232-277	25
18	232-278	25
19	232-279	10
20	232-280	10
21	232-281	10
22	232-282	10
23	232-283	10
24	232-284	10

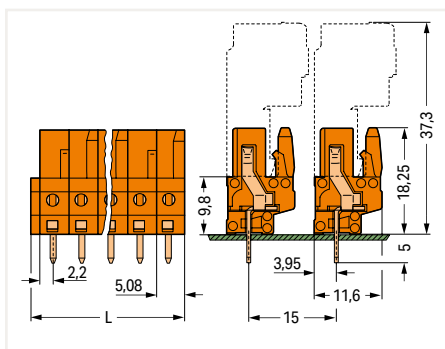
Pole No.	Item No.	PU
2	232-162	100
3	232-163	100
4	232-164	100
5	232-165	100
6	232-166	50
7	232-167	50
8	232-168	50
9	232-169	50
10	232-170	50
11	232-171	25
12	232-172	25
13	232-173	25
14	232-174	25
15	232-175	25
16	232-176	25
17	232-177	25
18	232-178	25
19	232-179	10
20	232-180	10
21	232-181	10
22	232-182	10
23	232-183	10
24	232-184	10

Pole No.	Item No.	PU
2	232-262/039-000	100
3	232-263/039-000	50
4	232-264/039-000	50
5	232-265/039-000	50
6	232-266/039-000	50
7	232-267/039-000	50
8	232-268/039-000	50
9	232-269/039-000	25
10	232-270/039-000	25
11	232-271/039-000	25
12	232-272/039-000	25
13	232-273/039-000	25
14	232-274/039-000	25
15	232-275/039-000	25
16	232-276/039-000	10
17	232-277/039-000	10
18	232-278/039-000	10
19	232-279/039-000	10
20	232-280/039-000	10
21	232-281/039-000	10
22	232-282/039-000	10
23	232-283/039-000	10
24	232-284/039-000	10

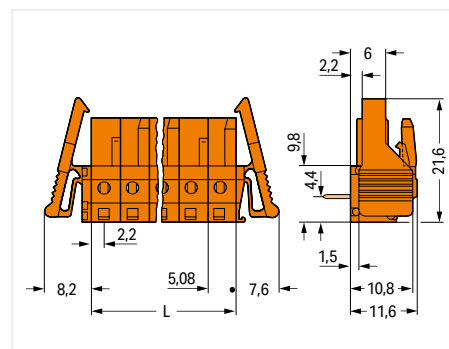
9



L = (pole no. x pin spacing) + 1.5 mm
Distance to first solder pin: 2.2 mm
2- to 3-pole female connectors – one latch only



L = (pole no. x pin spacing) + 1.5 mm
2- to 3-pole female connectors – one latch only



L = pole no. x pin spacing
Distance to first solder pin: 2.2 mm
2- to 3-pole female connectors – one latch only

PU = Packaging Unit; SPU = Subpackaging Unit; Dimensions in mm

Other versions (or variants) can be requested from WAGO Sales or configured at <https://configurator.wago.com/>.

- Other pole numbers
- 3.8 mm pin projection for male headers with straight solder pins
- Gold-plated or partially gold-plated contact surfaces

THT female header ▶ MCS MIDI Classic ▶ 232 Series

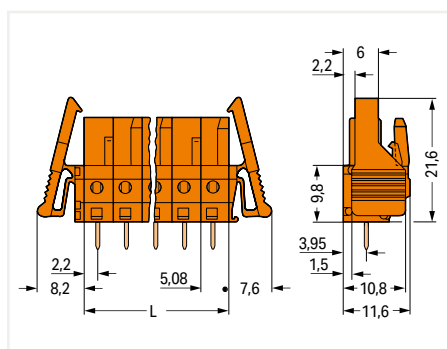
Pin spacing: 5.08 mm / 0.2 inch ▶ Solder pin dimensions: 0.6 x 1 mm ▶ Color: orange

Locking of plug-in connection: Locking lever ▶ Mating direction to the PCB: 90 °



232-166/039-000

Pole No.	Item No.	PU
2	232-162/039-000	100
3	232-163/039-000	50
4	232-164/039-000	50
5	232-165/039-000	50
6	232-166/039-000	50
7	232-167/039-000	50
8	232-168/039-000	50
9	232-169/039-000	25
10	232-170/039-000	25
11	232-171/039-000	25
12	232-172/039-000	25
13	232-173/039-000	25
14	232-174/039-000	25
15	232-175/039-000	25
16	232-176/039-000	10
17	232-177/039-000	10
18	232-178/039-000	10
19	232-179/039-000	10
20	232-180/039-000	10
21	232-181/039-000	10
22	232-182/039-000	10
23	232-183/039-000	10
24	232-184/039-000	10



L = pole no. x pin spacing
2- to 3-pole female connectors – one latch only

PU = Packaging Unit; SPU = Subpackaging Unit; Dimensions in mm

Other versions (or variants) can be requested from WAGO Sales or configured at <https://configurator.wago.com/>.

- Other pole numbers
- 3.8 mm pin projection for male headers with straight solder pins
- Gold-plated or partially gold-plated contact surfaces

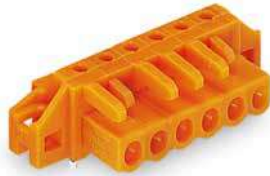
THT female header ▶ MCS MIDI Classic ▶ 232 Series

Pin spacing: 5.08 mm / 0.2 inch ▶ Solder pin dimensions: 0.6 x 1 mm ▶ Color: orange

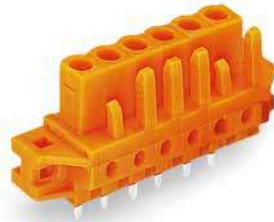
Mounting type: Feed-through mounting; Panel mounting ▶ Mounting type: Mounting flange

Mating direction to the PCB: 0°

Mating direction to the PCB: 90°



232-266/031-000



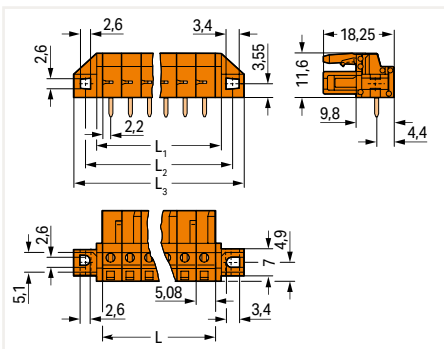
232-166/031-000



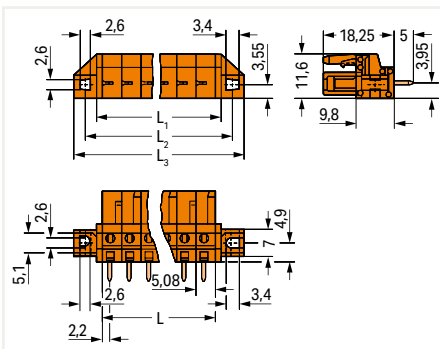
The innovative flange design provides standard panel mounting options or various through-panel mounting configurations. Depending on the type of application and flange, female headers can be used either for through-panel or flush mounted applications.

Pole No.	Item No.	PU
2	232-262/031-000	100
3	232-263/031-000	50
4	232-264/031-000	50
5	232-265/031-000	50
6	232-266/031-000	50
7	232-267/031-000	50
8	232-268/031-000	50
9	232-269/031-000	25
10	232-270/031-000	25
11	232-271/031-000	25
12	232-272/031-000	25
13	232-273/031-000	25
14	232-274/031-000	25
15	232-275/031-000	25
16	232-276/031-000	10
17	232-277/031-000	10
18	232-278/031-000	10
19	232-279/031-000	10
20	232-280/031-000	10
21	232-281/031-000	10
22	232-282/031-000	10
23	232-283/031-000	10
24	232-284/031-000	10

Pole No.	Item No.	PU
2	232-162/031-000	100
3	232-163/031-000	50
4	232-164/031-000	50
5	232-165/031-000	50
6	232-166/031-000	50
7	232-167/031-000	50
8	232-168/031-000	50
9	232-169/031-000	25
10	232-170/031-000	25
11	232-171/031-000	25
12	232-172/031-000	25
13	232-173/031-000	25
14	232-174/031-000	25
15	232-175/031-000	25
16	232-176/031-000	10
17	232-177/031-000	10
18	232-178/031-000	10
19	232-179/031-000	10
20	232-180/031-000	10
21	232-181/031-000	10
22	232-182/031-000	10
23	232-183/031-000	10
24	232-184/031-000	10



L = pole no. x pin spacing
 L₁ = L + 3 mm
 L₂ = L + 8.8 mm
 L₃ = L + 14.8 mm
 2- to 3-pole female connectors – one latch only



L = pole no. x pin spacing
 L₁ = L + 3 mm
 L₂ = L + 8.8 mm
 L₃ = L + 14.8 mm
 2- to 3-pole female connectors – one latch only

PU = Packaging Unit; SPU = Subpackaging Unit; Dimensions in mm

Other versions (or variants) can be requested from WAGO Sales or configured at <https://configurator.wago.com/>.

- Other pole numbers
- 3.8 mm pin projection for male headers with straight solder pins
- Gold-plated or partially gold-plated contact surfaces

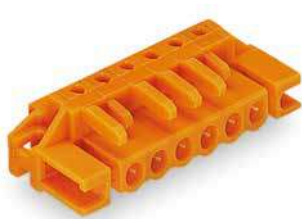
THT female header ▶ MCS MIDI Classic ▶ 232 Series

Pin spacing: 5.08 mm / 0.2 inch ▶ Solder pin dimensions: 0.6 x 1 mm ▶ Color: orange

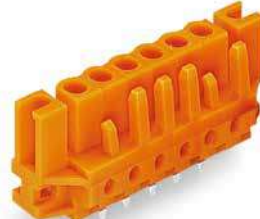
Mounting type: Flush feed-through mounting; Panel mounting ▶ Mounting type: Mounting flange

Mating direction to the PCB: 0°

Mating direction to the PCB: 90°



232-266/047-000



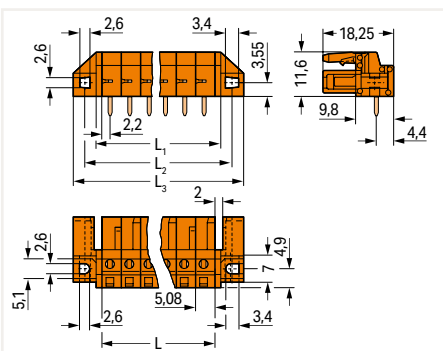
232-166/047-000



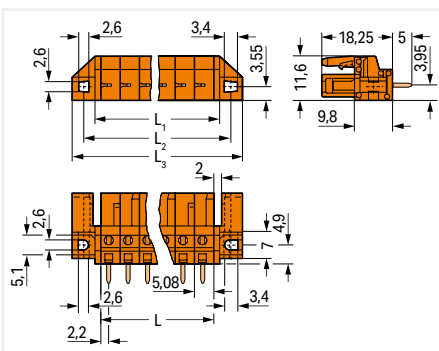
The innovative flange design provides standard panel mounting options or various through-panel mounting configurations. Depending on the type of application and flange, female headers can be used either for through-panel or flush mounted applications.

Pole No.	Item No.	PU
2	232-262/047-000	100
3	232-263/047-000	50
4	232-264/047-000	50
5	232-265/047-000	50
6	232-266/047-000	50
7	232-267/047-000	50
8	232-268/047-000	50
9	232-269/047-000	25
10	232-270/047-000	25
11	232-271/047-000	25
12	232-272/047-000	25
13	232-273/047-000	25
14	232-274/047-000	25
15	232-275/047-000	25
16	232-276/047-000	10
17	232-277/047-000	10
18	232-278/047-000	10
19	232-279/047-000	10
20	232-280/047-000	10
21	232-281/047-000	10
22	232-282/047-000	10
23	232-283/047-000	10
24	232-284/047-000	10

Pole No.	Item No.	PU
2	232-162/047-000	100
3	232-163/047-000	50
4	232-164/047-000	50
5	232-165/047-000	50
6	232-166/047-000	50
7	232-167/047-000	50
8	232-168/047-000	50
9	232-169/047-000	25
10	232-170/047-000	25
11	232-171/047-000	25
12	232-172/047-000	25
13	232-173/047-000	25
14	232-174/047-000	25
15	232-175/047-000	25
16	232-176/047-000	10
17	232-177/047-000	10
18	232-178/047-000	10
19	232-179/047-000	10
20	232-180/047-000	10
21	232-181/047-000	10
22	232-182/047-000	10
23	232-183/047-000	10
24	232-184/047-000	10



L = pole no. x pin spacing
 L₁ = L + 3 mm
 L₂ = L + 8.8 mm
 L₃ = L + 14.8 mm
 2- to 3-pole female connectors – one latch only



L = pole no. x pin spacing
 L₁ = L + 3 mm
 L₂ = L + 8.8 mm
 L₃ = L + 14.8 mm
 2- to 3-pole female connectors – one latch only

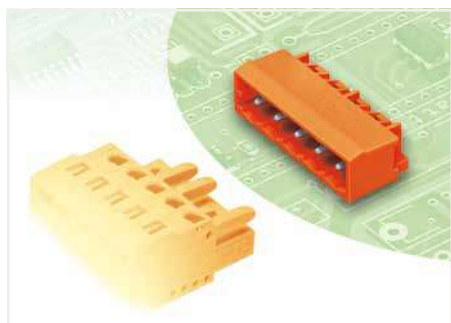
PU = Packaging Unit; SPU = Subpackaging Unit; Dimensions in mm

Other versions (or variants) can be requested from WAGO Sales or configured at <https://configurator.wago.com/>.

- Other pole numbers
- 3.8 mm pin projection for male headers with straight solder pins
- Gold-plated or partially gold-plated contact surfaces

THT male header ▶ MCS MIDI Classic ▶ 231 Series

Pin spacing: 5.08 mm / 0.2 inch ▶ Solder pin dimensions: 1 x 1 mm ▶ Color: orange



- Horizontal or vertical PCB mounting via straight or angled solder pins
- Pin cross-section: 1 x 1 mm
- With coding fingers

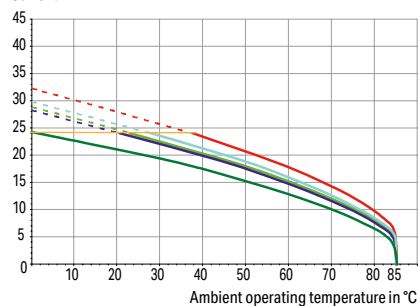
Derating Curve

1-conductor female connector (231-102/026-000) with THT male header (231-462/001-000)

Pin spacing: 5 mm / Conductor cross-section: 2.5 mm² "f-st"

Based on: EN 60512-5-2 / Reduction factor: 0.8

Current in A



2-, 4-, 6-, 12-, 24- pole

— Conductor rated current

Electrical Data

Ratings per	IEC/EN 60664-1		
Overvoltage category	III	III	II
Pollution degree	3	2	2
Rated voltage	320 V	320 V	630 V
Rated impulse voltage	4 kV	4 kV	4 kV
Rated current	12 A	12 A	12 A
Approbations per	UL 1059		
Use group	B	C	D
Rated voltage	300 V	-	300 V
Rated current	10 A	-	10 A
Approbations per	UL 1977		
Rated voltage	600 V		
Rated current	10 A		
Approbations per	CSA		
Use group	B	C	D
Rated voltage	300 V	-	300 V
Rated current	10 A	-	10 A

Material Data

Material group	I
Insulation material	Polyamide (PA66)
Flammability class per UL94	V0
Contact material	Electrolytic copper (E _{cu})
Contact plating	Tin-plated

Mechanical Data

Solder pin arrangement	Over the entire male connector (in-line)
Solder pin dimensions	1 x 1 mm
Drilled hole diameter with tolerance	1.4 ^(+0.1) mm

Environmental Requirements

Limit temperature range	-60 ... +100 °C
-------------------------	-----------------

The MCS – MULTI CONNECTION SYSTEM includes connectors without breaking capacity in accordance with DIN EN 61984. When used as intended, these connectors must not be connected/disconnected when live or under load. The circuit design should ensure header pins, which can be touched, are not live when unmated.

Coding Page 726

See technical section for further information

For approvals and corresponding ratings, visit www.wago.com

THT male header ▶ MCS MIDI Classic ▶ 231 Series

Pin spacing: 5.08 mm / 0.2 inch ▶ Solder pin dimensions: 1 x 1 mm ▶ Color: orange

Mating direction to the PCB: 0° ▶ Solder pin length: 3.8 mm

Mating direction to the PCB: 90° ▶ Solder pin length: 5 mm

Locking of plug-in connection: Threaded flange ▶ Mating direction to the PCB: 0° ▶ Solder pin length: 3.8 mm

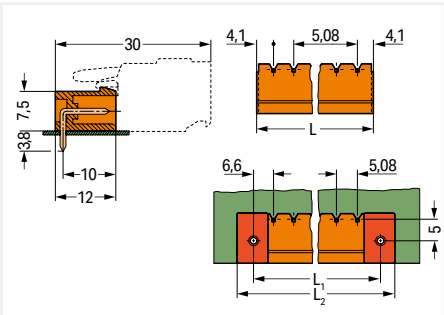


231-336/001-000

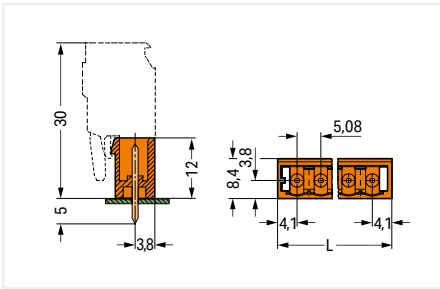
Pole No.	Item No.	PU
2	231-532/001-000	200
3	231-533/001-000	200
4	231-534/001-000	200
5	231-535/001-000	200
6	231-536/001-000	100
7	231-537/001-000	100
8	231-538/001-000	100
9	231-539/001-000	100
10	231-540/001-000	100
11	231-541/001-000	100
12	231-542/001-000	100
13	231-543/001-000	50
14	231-544/001-000	50
15	231-545/001-000	50
16	231-546/001-000	50
17	231-547/001-000	50
18	231-548/001-000	50
19	231-549/001-000	50
20	231-550/001-000	50
21	231-551/001-000	50
22	231-552/001-000	50
23	231-553/001-000	50
24	231-554/001-000	50

Pole No.	Item No.	PU
2	231-332/001-000	200
3	231-333/001-000	200
4	231-334/001-000	200
5	231-335/001-000	200
6	231-336/001-000	100
7	231-337/001-000	100
8	231-338/001-000	100
9	231-339/001-000	100
10	231-340/001-000	100
11	231-341/001-000	100
12	231-342/001-000	100
13	231-343/001-000	50
14	231-344/001-000	50
15	231-345/001-000	50
16	231-346/001-000	50
17	231-347/001-000	50
18	231-348/001-000	50
19	231-349/001-000	50
20	231-350/001-000	50
21	231-351/001-000	50
22	231-352/001-000	50
23	231-353/001-000	50
24	231-354/001-000	50

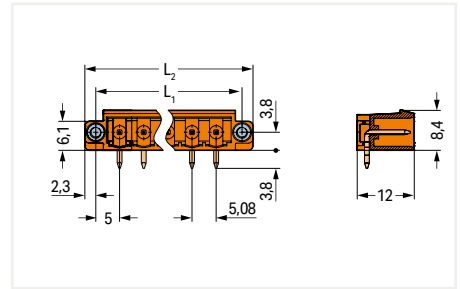
Pole No.	Item No.	PU
2	231-532/108-000	200
3	231-533/108-000	200
4	231-534/108-000	100
5	231-535/108-000	100
6	231-536/108-000	100
7	231-537/108-000	100
8	231-538/108-000	100
9	231-539/108-000	100
10	231-540/108-000	100
12	231-542/108-000	100
14	231-544/108-000	50
15	231-545/108-000	50
16	231-546/108-000	50



$L = (\text{pole no.} - 1) \times \text{pin spacing} + 8.2 \text{ mm}$
 $L_1 = L + 5 \text{ mm}$
 $L_2 = L_1 + 7.4 \text{ mm}$



$L = (\text{pole no.} - 1) \times \text{pin spacing} + 8.2 \text{ mm}$



$L_1 = (\text{pole no.} \times \text{pin spacing}) + 5.4 \text{ mm}$
 $L_2 = (\text{pole no.} \times \text{pin spacing}) + 10 \text{ mm}$

PU = Packaging Unit; SPU = Subpackaging Unit; Dimensions in mm

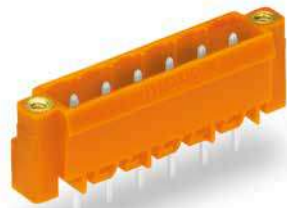
Other versions (or variants) can be requested from WAGO Sales or configured at <https://configurator.wago.com/>.

- Other pole numbers
- 3.8 mm pin projection for male headers with straight solder pins
- Gold-plated or partially gold-plated contact surfaces

THT male header ▶ MCS MIDI Classic ▶ 231 Series

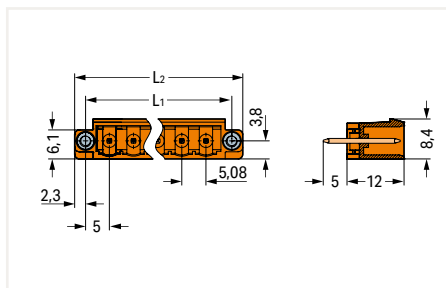
Pin spacing: 5.08 mm / 0.2 inch ▶ Solder pin dimensions: 1 x 1 mm ▶ Color: orange

Locking of plug-in connection: Threaded flange ▶ Mating direction to the PCB: 90 ° ▶ Solder pin length: 5 mm



231-336/108-000

Pole No.	Item No.	PU
2	231-332/108-000	200
3	231-333/108-000	200
4	231-334/108-000	100
5	231-335/108-000	100
6	231-336/108-000	100
7	231-337/108-000	100
8	231-338/108-000	100
9	231-339/108-000	100
10	231-340/108-000	100
12	231-342/108-000	100
14	231-344/108-000	50
15	231-345/108-000	50
16	231-346/108-000	50



$L_1 = (\text{pole no.} \times \text{pin spacing}) + 5.4 \text{ mm}$
 $L_2 = (\text{pole no.} \times \text{pin spacing}) + 10 \text{ mm}$

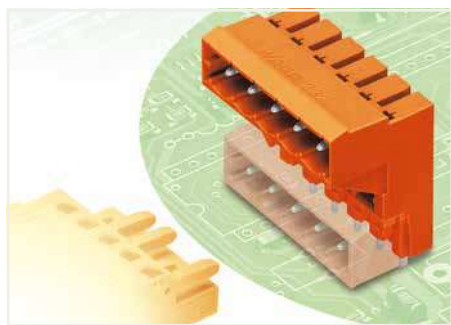
PU = Packaging Unit; SPU = Subpackaging Unit; Dimensions in mm

Other versions (or variants) can be requested from WAGO Sales or configured at <https://configurator.wago.com/>.

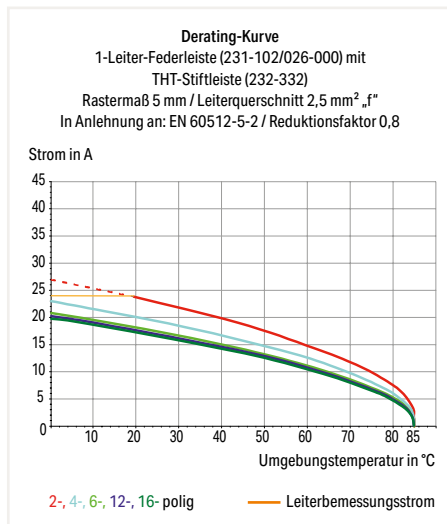
- Other pole numbers
- 3.8 mm pin projection for male headers with straight solder pins
- Gold-plated or partially gold-plated contact surfaces

THT male header for double-deck assembly ▶ MCS MIDI Classic ▶ 232 Series

Pin spacing: 5.08 mm / 0.2 inch ▶ Solder pin dimensions: 1 x 1 mm ▶ Mating direction to the PCB: 0° ▶ Solder pin length: 5 mm ▶ Color: orange



- Male headers for double-deck assembly provide high-density wiring for wire-to-board connections
- Horizontal PCB mounting
- Double-deck design allows male or female headers with angled solder pins to be placed on the lower deck
- Coding option available



Electrical Data

Ratings per		IEC/EN 60664-1		
Overvoltage category	III	III	II	
Pollution degree	3	2	2	
Rated voltage	320 V	320 V	630 V	
Rated impulse voltage	4 kV	4 kV	4 kV	
Rated current	12 A	12 A	12 A	
Approbations per		UL 1059		
Use group	B	C	D	
Rated voltage	300 V	-	300 V	
Rated current	10 A	-	10 A	
Approbations per		UL 1977		
Rated voltage	600 V			
Rated current	10 A			
Approbations per		CSA		
Use group	B	C	D	
Rated voltage	300 V	-	300 V	
Rated current	10 A	-	10 A	

Material Data

Material group	I
Insulation material	Polyamide (PA66)
Flammability class per UL94	V0
Contact material	Electrolytic copper (E _{cu})
Contact plating	Tin-plated

Mechanical Data

Solder pin arrangement	Over the entire male connector (in-line)
Solder pin length	5 mm
Solder pin dimensions	1 x 1 mm
Drilled hole diameter with tolerance	1.4 ^(+0.1) mm

Environmental Requirements

Limit temperature range	-60 ... +100 °C
-------------------------	-----------------

The MCS – MULTI CONNECTION SYSTEM includes connectors without breaking capacity in accordance with DIN EN 61984. When used as intended, these connectors must not be connected/disconnected when live or under load. The circuit design should ensure header pins, which can be touched, are not live when unmated.

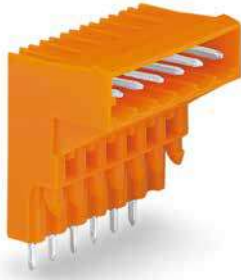
Coding Page 726

See technical section for further information

For approvals and corresponding ratings, visit www.wago.com

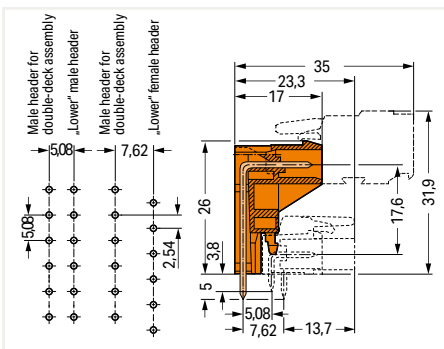
THT male header for double-deck assembly ▶ MCS MIDI Classic ▶ 232 Series

Pin spacing: 5.08 mm / 0.2 inch ▶ Solder pin dimensions: 1 x 1 mm ▶ Mating direction to the PCB: 0° ▶ Solder pin length: 5 mm ▶ Color: orange



232-366

Pole No.	Item No.	PU
2	232-362	100
3	232-363	100
4	232-364	100
6	232-366	50
8	232-368	50
10	232-370	50
12	232-372	50
16	232-376	25



Length = (pole no. - 1) x pin spacing + 8.2 mm
 The solder pins of the "lower" male headers are in line.
 The solder pins of the "lower" female headers are staggered by half a pin spacing.

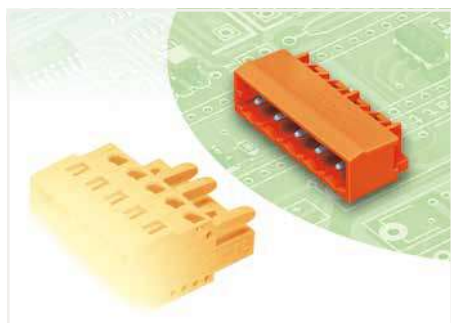
PU = Packaging Unit; SPU = Subpackaging Unit; Dimensions in mm

Other versions (or variants) can be requested from WAGO Sales or configured at <https://configurator.wago.com/>.

- Other pole numbers
- Gold-plated or partially gold-plated contact surfaces

THT male header ▶ MCS MIDI Classic ▶ 231 Series

Pin spacing: 5.08 mm / 0.2 inch ▶ Solder pin dimensions: 1.2 x 1.2 mm ▶ Color: orange



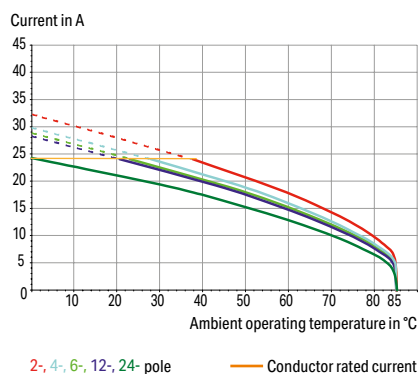
- Horizontal or vertical PCB mounting via straight or angled solder pins
- 1.2 x 1.2 mm solder pins allow nominal current up to 16 A, enhancing stability of shorter headers
- With coding fingers

Derating Curve

1-conductor female connector (231-102/026-000) with
THT male header (231-462/001-000)

Pin spacing: 5 mm / Conductor cross-section: 2.5 mm² "f-st"

Based on: EN 60512-5-2 / Reduction factor: 0.8



Electrical Data

Ratings per	IEC/EN 60664-1		
Overvoltage category	III	III	II
Pollution degree	3	2	2
Rated voltage	250 V	320 V	630 V
Rated impulse voltage	4 kV	4 kV	4 kV
Rated current	16 A	16 A	16 A
Approbations per	UL 1059		
Use group	B	C	D
Rated voltage	300 V	-	300 V
Rated current	15 A	-	10 A
Approbations per	UL 1977		
Rated voltage	600 V		
Rated current	15 A		
Approbations per	CSA		
Use group	B	C	D
Rated voltage	300 V	-	300 V
Rated current	15 A	-	10 A

Material Data

Material group	I
Insulation material	Polyamide (PA66)
Flammability class per UL94	V0
Contact material	Electrolytic copper (E _{cu})
Contact plating	Tin-plated

Mechanical Data

Solder pin arrangement	Over the entire male connector (in-line)
Solder pin dimensions	1.2 x 1.2 mm
Drilled hole diameter with tolerance	1.7 ^(+0.1) mm

Environmental Requirements

Limit temperature range	-60 ... +100 °C
-------------------------	-----------------

The MCS – MULTI CONNECTION SYSTEM includes connectors without breaking capacity in accordance with DIN EN 61984. When used as intended, these connectors must not be connected/disconnected when live or under load. The circuit design should ensure header pins, which can be touched, are not live when unmated.

Coding Page 726

See technical section for further information

For approvals and corresponding ratings, visit www.wago.com

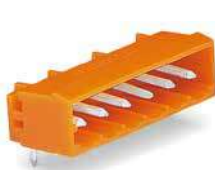
THT male header ▶ MCS MIDI Classic ▶ 231 Series

Pin spacing: 5.08 mm / 0.2 inch ▶ Solder pin dimensions: 1.2 x 1.2 mm ▶ Color: orange

Mating direction to the PCB: 0° ▶ Solder pin length: 3.8 mm

Mating direction to the PCB: 90° ▶ Solder pin length: 5 mm

Locking of plug-in connection: Threaded flange ▶ Mating direction to the PCB: 0° ▶ Solder pin length: 3.8 mm



231-566/001-000



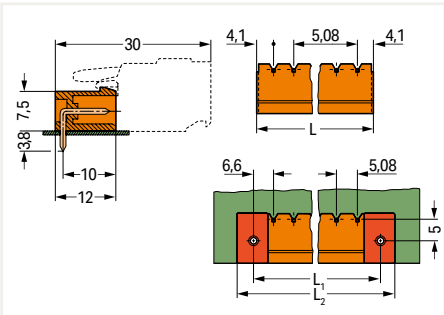
231-366/001-000



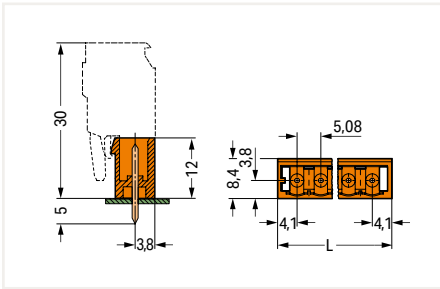
Pole No.	Item No.	PU
2	231-562/001-000	200
3	231-563/001-000	200
4	231-564/001-000	200
5	231-565/001-000	200
6	231-566/001-000	100
7	231-567/001-000	100
8	231-568/001-000	100
9	231-569/001-000	100
10	231-570/001-000	100
11	231-571/001-000	100
12	231-572/001-000	100
13	231-573/001-000	50
14	231-574/001-000	50
15	231-575/001-000	50
16	231-576/001-000	50
17	231-577/001-000	50
18	231-578/001-000	50
19	231-579/001-000	50
20	231-580/001-000	50
21	231-581/001-000	50
22	231-582/001-000	50
23	231-583/001-000	50
24	231-584/001-000	50

Pole No.	Item No.	PU
2	231-362/001-000	200
3	231-363/001-000	200
4	231-364/001-000	200
5	231-365/001-000	200
6	231-366/001-000	100
7	231-367/001-000	100
8	231-368/001-000	100
9	231-369/001-000	100
10	231-370/001-000	100
11	231-371/001-000	100
12	231-372/001-000	100
13	231-373/001-000	50
14	231-374/001-000	50
15	231-375/001-000	50
16	231-376/001-000	50
17	231-377/001-000	50
18	231-378/001-000	50
19	231-379/001-000	50
20	231-380/001-000	50
21	231-381/001-000	50
22	231-382/001-000	50
23	231-383/001-000	50
24	231-384/001-000	50

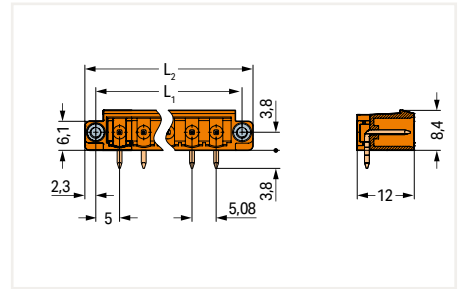
Pole No.	Item No.	PU
2	231-562/108-000	100
3	231-563/108-000	200
4	231-564/108-000	100
5	231-565/108-000	100
6	231-566/108-000	100
7	231-567/108-000	100
8	231-568/108-000	100
9	231-569/108-000	100
10	231-570/108-000	100
12	231-572/108-000	100
14	231-574/108-000	50
15	231-575/108-000	50
16	231-576/108-000	50



$L = (\text{pole no.} - 1) \times \text{pin spacing} + 8.2 \text{ mm}$
 $L_1 = L + 5 \text{ mm}$
 $L_2 = L_1 + 7.4 \text{ mm}$



$L = (\text{pole no.} - 1) \times \text{pin spacing} + 8.2 \text{ mm}$



$L_1 = (\text{pole no.} \times \text{pin spacing}) + 5.4 \text{ mm}$
 $L_2 = (\text{pole no.} \times \text{pin spacing}) + 10 \text{ mm}$

PU = Packaging Unit; SPU = Subpackaging Unit; Dimensions in mm

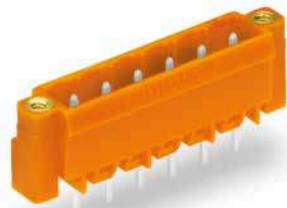
Other versions (or variants) can be requested from WAGO Sales or configured at <https://configurator.wago.com/>.

- Other pole numbers
- 3.8 mm pin projection for male headers with straight solder pins
- Gold-plated or partially gold-plated contact surfaces

THT male header ▶ MCS MIDI Classic ▶ 231 Series

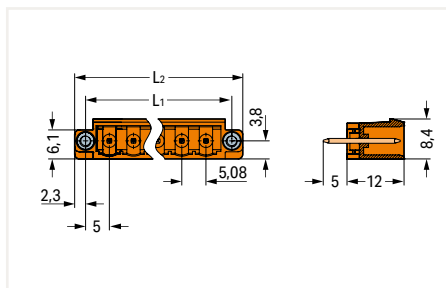
Pin spacing: 5.08 mm / 0.2 inch ▶ Solder pin dimensions: 1.2 x 1.2 mm ▶ Color: orange

Locking of plug-in connection: Threaded flange ▶ Mating direction to the PCB: 90 ° ▶ Solder pin length: 5 mm



231-366/108-000

Pole No.	Item No.	PU
2	231-362/108-000	200
3	231-363/108-000	200
4	231-364/108-000	100
5	231-365/108-000	100
6	231-366/108-000	100
7	231-367/108-000	100
8	231-368/108-000	100
9	231-369/108-000	100
10	231-370/108-000	100
12	231-372/108-000	100
14	231-374/108-000	50
15	231-375/108-000	50
16	231-376/108-000	50


 $L_1 = (\text{pole no.} \times \text{pin spacing}) + 5.4 \text{ mm}$
 $L_2 = (\text{pole no.} \times \text{pin spacing}) + 10 \text{ mm}$

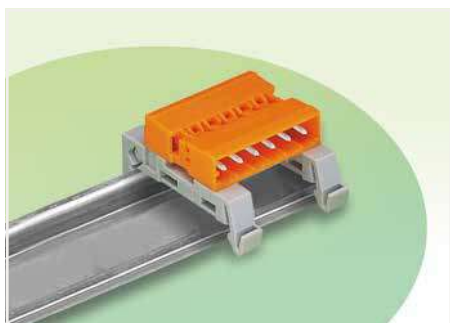
PU = Packaging Unit; SPU = Subpackaging Unit; Dimensions in mm

Other versions (or variants) can be requested from WAGO Sales or configured at <https://configurator.wago.com/>.

- Other pole numbers
- 3.8 mm pin projection for male headers with straight solder pins
- Gold-plated or partially gold-plated contact surfaces

Double pin header ▶ MCS MIDI Classic ▶ 232 Series

Pin spacing: 5.08 mm / 0.2 inch ▶ Mounting type: DIN-35 rail ▶ Color: orange



- Allow MCS Female Connectors fitted with wire harness or cable assembly to be plugged together
- Adapter for DIN-35 rail mounting
- Coding via coding keys on both sides

Electrical Data

Ratings per	IEC/EN 60664-1		
Overvoltage category	III	III	II
Pollution degree	3	2	2
Rated voltage	250 V	320 V	630 V
Rated impulse voltage	4 kV	4 kV	4 kV
Rated current	12 A	12 A	12 A

Approbations per	UL 1059		
Use group	B	C	D
Rated voltage	300 V	-	300 V
Rated current	15 A	-	10 A

Approbations per	UL 1977		
Rated voltage	600 V		
Rated current	15 A		

Approbations per	CSA		
Use group	B	C	D
Rated voltage	300 V	-	300 V
Rated current	15 A	-	10 A

Material Data

Material group	I
Insulation material	Polyamide (PA66)
Flammability class per UL94	V0
Contact material	Electrolytic copper (E _{cu})
Contact plating	Tin-plated

Environmental Requirements

Limit temperature range	-60 ... +100 °C
-------------------------	-----------------

The MCS – MULTI CONNECTION SYSTEM includes connectors without breaking capacity in accordance with DIN EN 61984. When used as intended, these connectors must not be connected/disconnected when live or under load. The circuit design should ensure header pins, which can be touched, are not live when unmated.

Coding Page 726

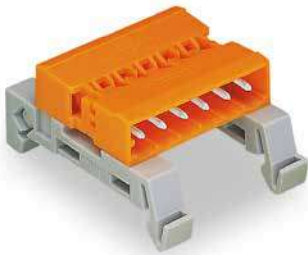
DIN-rail Page 868

See technical section for further information

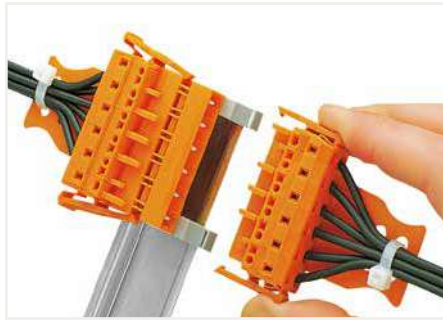
For approvals and corresponding ratings, visit www.wago.com

Double pin header ▶ MCS MIDI Classic ▶ 232 Series

Pin spacing: 5.08 mm / 0.2 inch ▶ Mounting type: DIN-35 rail ▶ Color: orange

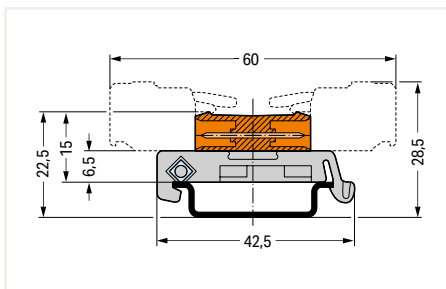


232-536/007-000



Female connectors with locking levers

Pole No.	Item No.	PU
2	232-532/007-000	100
3	232-533/007-000	50
4	232-534/007-000	50
5	232-535/007-000	50
6	232-536/007-000	50
7	232-537/007-000	25
8	232-538/007-000	25
9	232-539/007-000	25
10	232-540/007-000	25
11	232-541/007-000	25
12	232-542/007-000	25
13	232-543/007-000	25
14	232-544/007-000	25
15	232-545/007-000	25
16	232-546/007-000	25
17	232-547/007-000	25
18	232-548/007-000	25
19	232-549/007-000	10
20	232-550/007-000	25
21	232-551/007-000	10
22	232-552/007-000	10
23	232-553/007-000	10
24	232-554/007-000	10



Total length = (pole no. - 1) x pin spacing + 8.2 mm

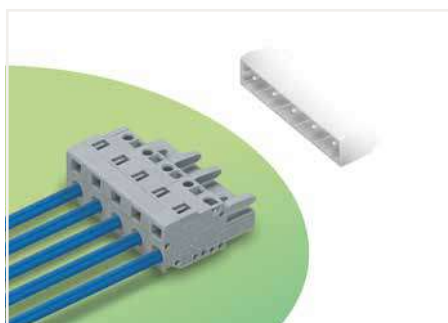
PU = Packaging Unit; SPU = Subpackaging Unit; Dimensions in mm

Other versions (or variants) can be requested from WAGO Sales or configured at <https://configurator.wago.com/>.

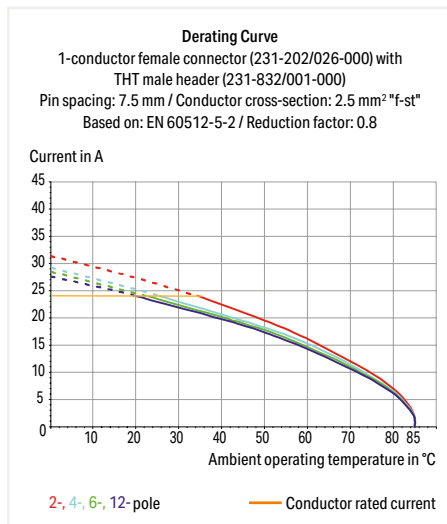
- Other pole numbers

1-conductor female plug ▶ MCS MIDI Classic ▶ 231 Series

Pin spacing: 7.5 mm / 0.295 inch ▶ Actuation type: Operating tool ▶ CAGE CLAMP® ▶ Conductor entry direction to mating direction: 0° ▶ Color: gray



- Universal connection for all conductor types
- Easy cable pre-assembly and on-unit wiring via vertical and horizontal CAGE CLAMP® actuation
- Integrated test ports
- With coding fingers



Electrical Data

Ratings per	IEC/EN 60664-1		
Overvoltage category	III	III	II
Pollution degree	3	2	2
Rated voltage	500 V	630 V	1000 V
Rated impulse voltage	6 kV	6 kV	6 kV
Rated current	16 A	16 A	16 A
Approbations per	UL 1059		
Use group	B	C	D
Rated voltage	300 V	-	300 V
Rated current	15 A	-	10 A
Approbations per	UL 1977		
Rated voltage	600 V		
Rated current	15 A		
Approbations per	CSA		
Use group	B	C	D
Rated voltage	300 V	-	300 V
Rated current	15 A	-	10 A

Connection Data

Connection technology	CAGE CLAMP®
Strip length	8 ... 9 mm / 0.31 ... 0.35 inch
Solid conductor	0.08 ... 2.5 mm ² / 28 ... 12 AWG
Fine-stranded conductor	0.08 ... 2.5 mm ² / 28 ... 12 AWG
Fine-stranded conductor; with insulated ferrule	0.25 ... 1.5 mm ²
Fine-stranded conductor; with uninsulated ferrule	0.25 ... 2.5 mm ²

Material Data

Material group	I
Insulation material	Polyamide (PA66)
Flammability class per UL94	V0
Clamping spring material	Chrome nickel spring steel (CrNi)
Contact material	Copper alloy
Contact plating	Tin-plated

Environmental Requirements

Limit temperature range	-60 ... +85 °C
-------------------------	----------------

The MCS – MULTI CONNECTION SYSTEM includes connectors without breaking capacity in accordance with DIN EN 61984. When used as intended, these connectors must not be connected/disconnected when live or under load. The circuit design should ensure header pins, which can be touched, are not live when unmated.

Ferrule	Page 879
General accessories	Page 727
Insulation stop	Page 727
Marking	Page 865
Mounting	Page 732, 869
Mounting adapter	Page 733
Strain relief	Page 731
Test and measurement	Page 725, 886
Tool	Page 538, 870
Direct marking	Page 734
Cutout dimensions	Page 738
See technical section for further information	
For approvals and corresponding ratings, visit www.wago.com	

1-conductor female plug ▶ MCS MIDI Classic ▶ 231 Series

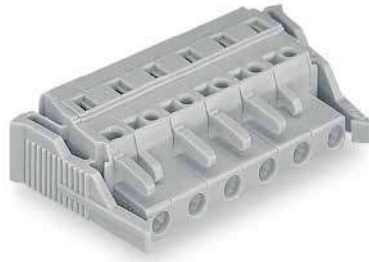
Pin spacing: 7.5 mm / 0.295 inch ▶ Actuation type: Operating tool ▶ CAGE CLAMP® ▶ Conductor entry direction to mating direction: 0° ▶ Color: gray

Locking of plug-in connection: Locking lever

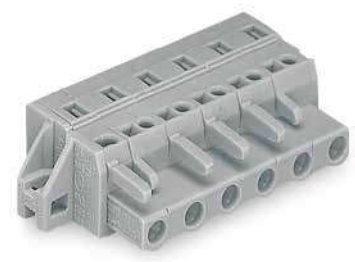
Mounting type: Feed-through mounting; Panel mounting
▶ Mounting type: Mounting flange



231-206/026-000



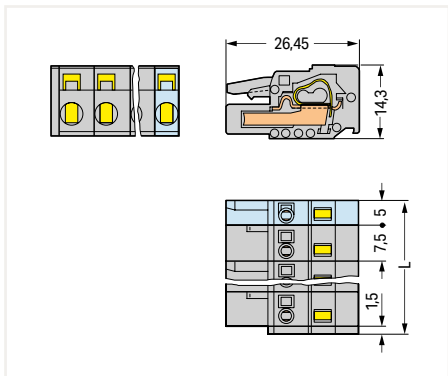
231-206/037-000



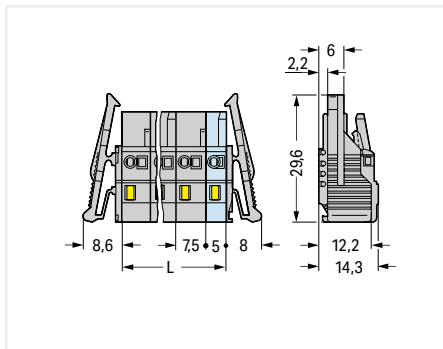
Pole No.	Item No.	PU
2	231-202/026-000	100
3	231-203/026-000	100
4	231-204/026-000	50
5	231-205/026-000	50
6	231-206/026-000	50
7	231-207/026-000	50
8	231-208/026-000	25
9	231-209/026-000	25
10	231-210/026-000	25
11	231-211/026-000	25
12	231-212/026-000	25
13	231-213/026-000	10
16	231-216/026-000	10

Pole No.	Item No.	PU
2	231-202/037-000	50
3	231-203/037-000	50
4	231-204/037-000	50
5	231-205/037-000	50
6	231-206/037-000	25
7	231-207/037-000	25
8	231-208/037-000	25
9	231-209/037-000	25
10	231-210/037-000	25
11	231-211/037-000	10
12	231-212/037-000	10
13	231-213/037-000	10
16	231-216/037-000	10

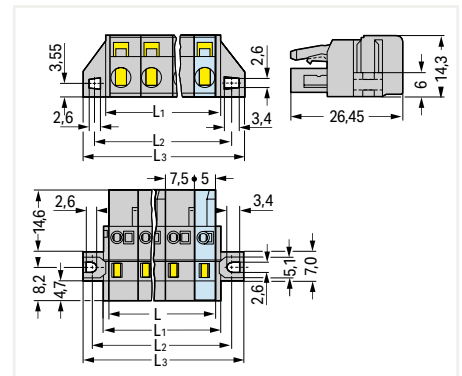
Pole No.	Item No.	PU
2	231-202/031-000	50
3	231-203/031-000	50
4	231-204/031-000	50
5	231-205/031-000	50
6	231-206/031-000	25
7	231-207/031-000	25
8	231-208/031-000	25
9	231-209/031-000	25
10	231-210/031-000	25
11	231-211/031-000	10
12	231-212/031-000	10
13	231-213/031-000	10
16	231-216/031-000	10



L = (pole no. - 1) x pin spacing + 5 mm + 1.5 mm
2- to 3-pole female connectors – one latch only



L = (pole no. - 1) x pin spacing + 5 mm
2- to 3-pole female connectors – one latch only



L = (pole no. - 1) x pin spacing + 5 mm
L₁ = L + 3 mm
L₂ = L + 8.8 mm
L₃ = L + 14.8 mm
2- to 3-pole female connectors – one latch only

PU = Packaging Unit; SPU = Subpackaging Unit; Dimensions in mm

Other versions (or variants) can be requested from WAGO Sales or configured at <https://configurator.wago.com/>.

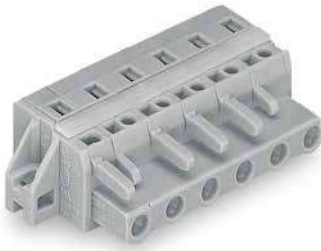
- Gold-plated or partially gold-plated contact surfaces

1-conductor female plug ▶ MCS MIDI Classic ▶ 231 Series

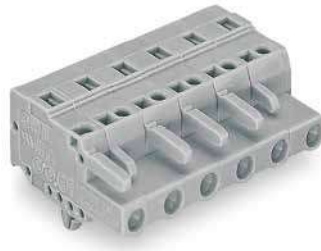
Pin spacing: 7.5 mm / 0.295 inch ▶ Actuation type: Operating tool ▶ CAGE CLAMP® ▶ Conductor entry direction to mating direction: 0° ▶ Color: gray

Mounting type: Feed-through mounting; Panel mounting
▶ Mounting type: Mounting flange ▶ with reinforcing strips

Mounting type: Panel mounting ▶ Mounting type: Snap-in foot



231-206/027-000

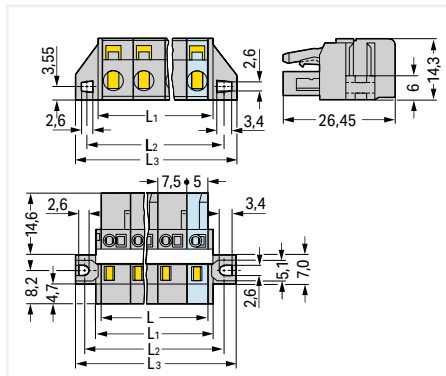


231-206/008-000

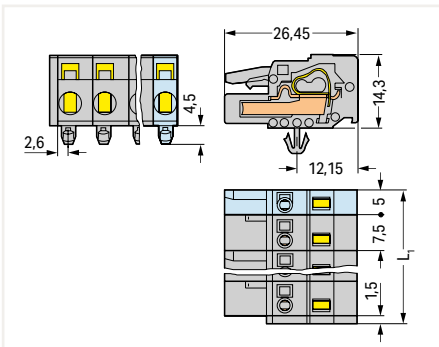
Pole No.	Item No.	PU
6	231-206/027-000	25
7	231-207/027-000	25
8	231-208/027-000	25
9	231-209/027-000	25
10	231-210/027-000	25
11	231-211/027-000	10
12	231-212/027-000	10
13	231-213/027-000	10
16	231-216/027-000	10

Pole No.	Item No.	PU
2	231-202/008-000	100
3	231-203/008-000	100
4	231-204/008-000	50
5	231-205/008-000	50
6	231-206/008-000	50
7	231-207/008-000	50
8	231-208/008-000	25
9	231-209/008-000	25
10	231-210/008-000	25
11	231-211/008-000	25
12	231-212/008-000	25
13	231-213/008-000	10
16	231-216/008-000	10

9



L = (pole no. - 1) x pin spacing + 5 mm
 L₁ = L + 3 mm
 L₂ = L + 8.8 mm
 L₃ = L + 14.8 mm
 2- to 3-pole female connectors – one latch only



L = (pole no. - 1) x pin spacing + 5 mm + 1.5 mm
 2- to 3-pole female connectors – one latch only

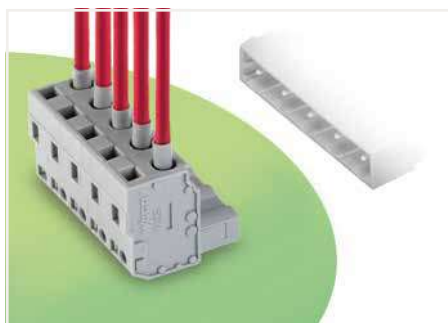
PU = Packaging Unit; SPU = Subpackaging Unit; Dimensions in mm

Other versions (or variants) can be requested from WAGO Sales or configured at <https://configurator.wago.com/>.

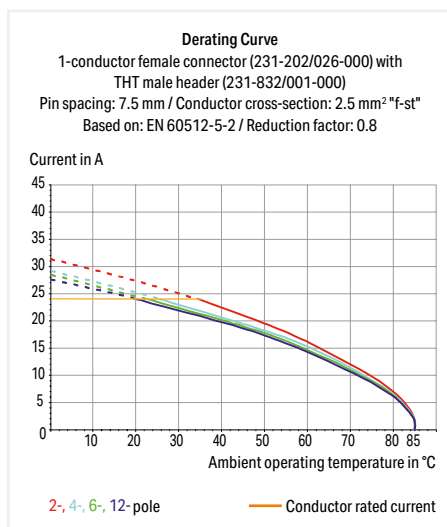
- Gold-plated or partially gold-plated contact surfaces

1-conductor female plug ▶ MCS MIDI Classic ▶ 732 Series

Pin spacing: 7.5 mm / 0.295 inch ▶ Actuation type: Operating tool ▶ CAGE CLAMP® ▶ Conductor entry direction to mating direction: 270 ° ▶ Color: gray



- Universal connection for all conductor types
- Easy cable pre-assembly and on-unit wiring via vertical and horizontal CAGE CLAMP® actuation
- Integrated test ports
- With coding fingers



Electrical Data

Ratings per	IEC/EN 60664-1		
Overvoltage category	III	III	II
Pollution degree	3	2	2
Rated voltage	500 V	630 V	1000 V
Rated impulse voltage	6 kV	6 kV	6 kV
Rated current	14 A	14 A	14 A
Approbations per	UL 1059		
Use group	B	C	D
Rated voltage	300 V	-	300 V
Rated current	15 A	-	10 A
Approbations per	UL 1977		
Rated voltage	600 V		
Rated current	15 A		
Approbations per	CSA		
Use group	B	C	D
Rated voltage	300 V	-	300 V
Rated current	15 A	-	10 A

Connection Data

Connection technology	CAGE CLAMP®
Strip length	8 ... 9 mm / 0.31 ... 0.35 inch
Solid conductor	0.08 ... 2.5 mm ² / 28 ... 12 AWG
Fine-stranded conductor	0.08 ... 2.5 mm ² / 28 ... 12 AWG
Fine-stranded conductor; with insulated ferrule	0.25 ... 1.5 mm ²
Fine-stranded conductor; with uninsulated ferrule	0.25 ... 2.5 mm ²

Material Data

Material group	I
Insulation material	Polyamide (PA66)
Flammability class per UL94	V0
Clamping spring material	Chrome nickel spring steel (CrNi)
Contact material	Copper alloy
Contact plating	Tin-plated

Environmental Requirements

Limit temperature range	-60 ... +85 °C
-------------------------	----------------

The MCS – MULTI CONNECTION SYSTEM includes connectors without breaking capacity in accordance with DIN EN 61984. When used as intended, these connectors must not be connected/disconnected when live or under load. The circuit design should ensure header pins, which can be touched, are not live when unmated.

Ferrule	Page 879
Insulation stop	Page 727
Marking	Page 865
Strain relief	Page 731
Test and measurement	Page 725, 886
Tool	Page 538
Direct marking	Page 734
See technical section for further information	
For approvals and corresponding ratings, visit www.wago.com	

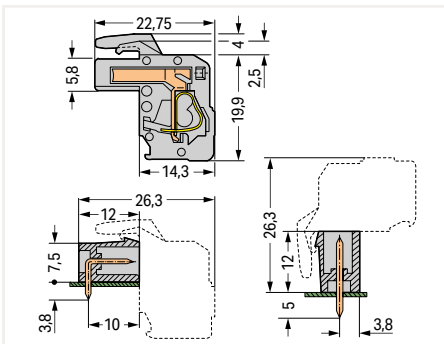
1-conductor female plug ▶ MCS MIDI Classic ▶ 732 Series

Pin spacing: 7.5 mm / 0.295 inch ▶ Actuation type: Operating tool ▶ CAGE CLAMP® ▶ Conductor entry direction to mating direction: 270 ° ▶ Color: gray



732-106/026-000

Pole No.	Item No.	PU
2	732-102/026-000	100
3	732-103/026-000	100
4	732-104/026-000	50
5	732-105/026-000	25
6	732-106/026-000	50
7	732-107/026-000	50
8	732-108/026-000	25
9	732-109/026-000	25
10	732-110/026-000	25
11	732-111/026-000	25
12	732-112/026-000	25
16	732-116/026-000	10



Total length = (pole no. - 1) x pin spacing + 5 mm + 1.5 mm + 0.9 mm

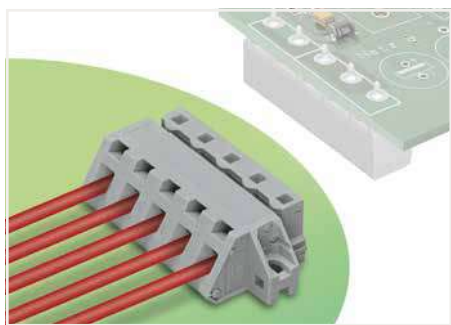
PU = Packaging Unit; SPU = Subpackaging Unit; Dimensions in mm

Other versions (or variants) can be requested from WAGO Sales or configured at <https://configurator.wago.com/>.

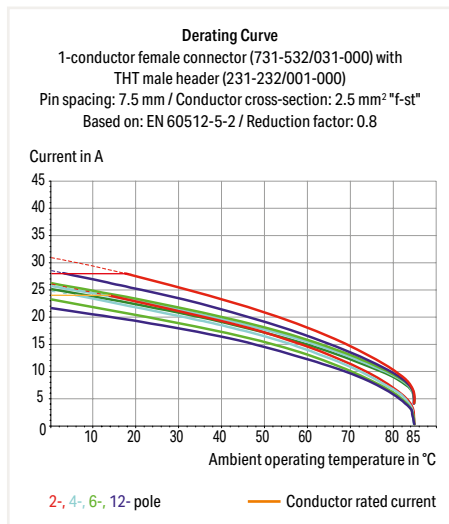
- Gold-plated or partially gold-plated contact surfaces

1-conductor female plug ▶ MCS MIDI Classic ▶ 731 Series

Pin spacing: 7.5 mm / 0.295 inch ▶ Actuation type: Operating tool ▶ CAGE CLAMP® ▶ Conductor entry direction to mating direction: 90 ° ▶ Color: gray



- Universal connection for all conductor types
- Available with snap-in mounting feet or flanges for panel or through-panel mounting
- Mounting adapter allows versions with snap-in mounting feet to be DIN-35 rail mounted
- Easy conductor termination, even when halves are mated

**Electrical Data**

Ratings per	IEC/EN 60664-1		
Overvoltage category	III	III	II
Pollution degree	3	2	2
Rated voltage	500 V	630 V	1000 V
Rated impulse voltage	6 kV	6 kV	6 kV
Rated current	12 A	12 A	12 A
Approbations per	UL 1059		
Use group	B	C	D
Rated voltage	300 V	-	300 V
Rated current	15 A	-	10 A
Approbations per	UL 1977		
Rated voltage	600 V		
Rated current	15 A		
Approbations per	CSA		
Use group	B	C	D
Rated voltage	300 V	-	300 V
Rated current	15 A	-	10 A

Connection Data

Connection technology	CAGE CLAMP®
Strip length	7 ... 8 mm / 0.28 ... 0.31 inch
Solid conductor	0.08 ... 2.5 mm ² / 28 ... 12 AWG
Fine-stranded conductor	0.08 ... 2.5 mm ² / 28 ... 12 AWG
Fine-stranded conductor; with insulated ferrule	0.25 ... 1.5 mm ²
Fine-stranded conductor; with uninsulated ferrule	0.25 ... 2.5 mm ²

Material Data

Material group	I
Insulation material	Polyamide (PA66)
Flammability class per UL94	V0
Clamping spring material	Chrome nickel spring steel (CrNi)
Contact material	Copper alloy
Contact plating	Tin-plated

Environmental Requirements

Limit temperature range	-60 ... +85 °C
-------------------------	----------------

The MCS – MULTI CONNECTION SYSTEM includes connectors without breaking capacity in accordance with DIN EN 61984. When used as intended, these connectors must not be connected/disconnected when live or under load. The circuit design should ensure header pins, which can be touched, are not live when unmated.

Ferrule	Page 879
Marking	Page 865
Mounting	Page 732, 869
Strain relief	Page 731
Test and measurement	Page 725
Tool	Page 538, 870
Direct marking	Page 734
See technical section for further information	
For approvals and corresponding ratings, visit www.wago.com	

1-conductor female plug ▶ MCS MIDI Classic ▶ 731 Series

Pin spacing: 7.5 mm / 0.295 inch ▶ Actuation type: Operating tool ▶ CAGE CLAMP® ▶ Conductor entry direction to mating direction: 90 ° ▶ Color: gray

Mounting type: Feed-through mounting; Panel mounting ▶ Mounting type: Mounting flange



731-535/031-000

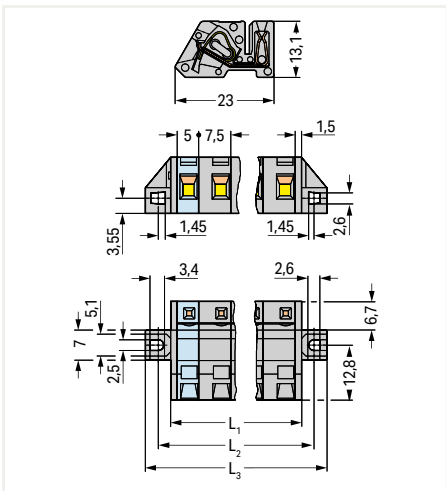


Angled female connector – used as through-panel connector; termination ports and operating slots are located outside the housing – panel thickness up to 2 mm.

Pole No.	Item No.	PU
2	731-532/031-000	50
3	731-533/031-000	50
4	731-534/031-000	50
5	731-535/031-000	25
6	731-536/031-000	25
7	731-537/031-000	25
8	731-538/031-000	25
9	731-539/031-000	25
10	731-540/031-000	25
11	731-541/031-000	10
12	731-542/031-000	10
13	731-543/031-000	10
16	731-546/031-000	10



Angled female connector – a male header with straight solder pins is used for horizontal PCB mounting in narrow housings.



$L_1 = (\text{pole no.} - 1) \times \text{pin spacing} + 5 \text{ mm} + 3 \text{ mm}$
 $L_2 = (\text{pole no.} - 1) \times \text{pin spacing} + 5 \text{ mm} + 8.8 \text{ mm}$
 $L_3 = (\text{pole no.} - 1) \times \text{pin spacing} + 5 \text{ mm} + 14.8 \text{ mm}$

PU = Packaging Unit; SPU = Subpackaging Unit; Dimensions in mm

Other versions (or variants) can be requested from WAGO Sales or configured at <https://configurator.wago.com/>.

- Other pole numbers
- Gold-plated or partially gold-plated contact surfaces

1-conductor female plug ▶ MCS MIDI Classic ▶ 731 Series

Pin spacing: 7.5 mm / 0.295 inch ▶ Actuation type: Operating tool ▶ CAGE CLAMP® ▶ Conductor entry direction to mating direction: 90 ° ▶ Color: gray

Mounting type: Panel mounting ▶ Mounting type: Snap-in foot

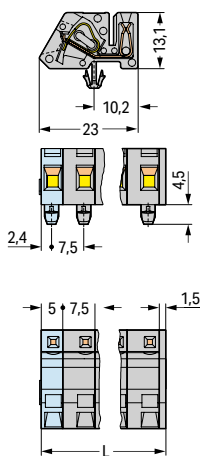


731-535/008-000



Angled female connector with DIN-35 rail-mount adapter (209-120)

Pole No.	Item No.	PU
2	731-532/008-000	100
3	731-533/008-000	100
4	731-534/008-000	50
5	731-535/008-000	50
6	731-536/008-000	50
7	731-537/008-000	50
8	731-538/008-000	25
9	731-539/008-000	25
10	731-540/008-000	25
11	731-541/008-000	25
12	731-542/008-000	25
13	731-543/008-000	10
16	731-546/008-000	10



$L = (\text{pole no.} - 1) \times \text{pin spacing} + 5 \text{ mm} + 1.5 \text{ mm}$

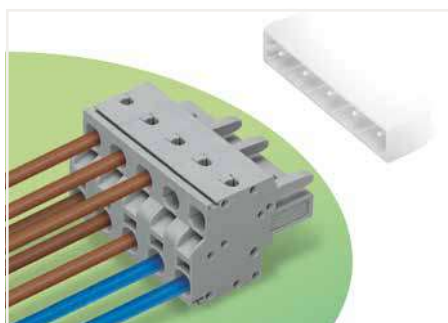
PU = Packaging Unit; SPU = Subpackaging Unit; Dimensions in mm

Other versions (or variants) can be requested from WAGO Sales or configured at <https://configurator.wago.com/>.

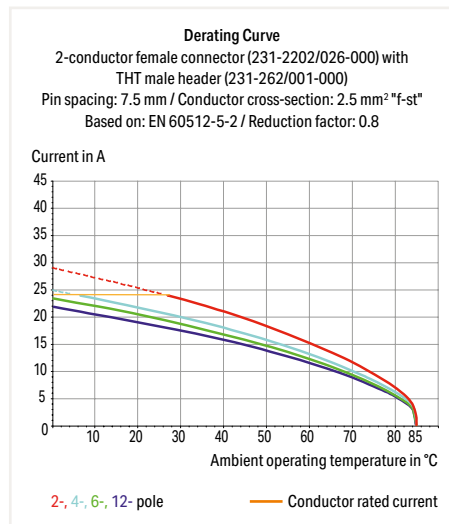
- Other pole numbers
- Gold-plated or partially gold-plated contact surfaces

2-conductor female connector ▶ MCS MIDI Classic ▶ 231 Series

Pin spacing: 7.5 mm / 0.295 inch ▶ Actuation type: Operating tool ▶ Push-in CAGE CLAMP® ▶ Conductor entry direction to mating direction: 0° ▶ Color: gray



- Universal connection for all conductor types
- Two conductor entries per pole
- For looping through power or data buses
- Bus connection is retained, even when unmated
- Push-in termination of solid and ferruled conductors
- With coding fingers

**Electrical Data**

Ratings per	IEC/EN 60664-1		
Overvoltage category	III	III	II
Pollution degree	3	2	2
Rated voltage	500 V	630 V	1000 V
Rated impulse voltage	6 kV	6 kV	6 kV
Rated current	16 A	16 A	16 A
Approbations per	UL 1059		
Use group	B	C	D
Rated voltage	300 V	-	300 V
Rated current	20 A	-	10 A
Approbations per	UL 1977		
Rated voltage	600 V		
Rated current	20 A		
Approbations per	CSA		
Use group	B	C	D
Rated voltage	300 V	-	300 V
Rated current	15 A	-	10 A

Connection Data

Connection technology	Push-in CAGE CLAMP®
Strip length	9 ... 10 mm / 0.35 ... 0.39 inch
Solid conductor	0.2 ... 2.5 mm ² / 24 ... 12 AWG
Fine-stranded conductor	0.2 ... 2.5 mm ² / 24 ... 12 AWG
Fine-stranded conductor; with insulated ferrule	0.25 ... 1.5 mm ²
Fine-stranded conductor; with uninsulated ferrule	0.25 ... 2.5 mm ²

Material Data

Material group	I
Insulation material	Polyamide (PA66)
Flammability class per UL94	V0
Clamping spring material	Chrome nickel spring steel (CrNi)
Contact material	Copper alloy
Contact plating	Tin-plated

Environmental Requirements

Limit temperature range	-60 ... +85 °C
-------------------------	----------------

The MCS – MULTI CONNECTION SYSTEM includes connectors without breaking capacity in accordance with DIN EN 61984. When used as intended, these connectors must not be connected/disconnected when live or under load. The circuit design should ensure header pins, which can be touched, are not live when unmated.

Ferrule	Page 879
General accessories	Page 727
Insulation stop	Page 727
Marking	Page 865
Strain relief	Page 729
Test and measurement	Page 725, 886
Tool	Page 870
Direct marking	Page 734
See technical section for further information	
For approvals and corresponding ratings, visit www.wago.com	

2-conductor female connector ▶ MCS MIDI Classic ▶ 231 Series

Pin spacing: 7.5 mm / 0.295 inch ▶ Actuation type: Operating tool ▶ Push-in CAGE CLAMP® ▶ Conductor entry direction to mating direction: 0° ▶ Color: gray

Locking of plug-in connection: Locking lever

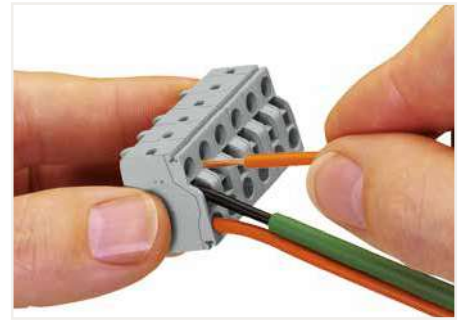


231-2206/026-000

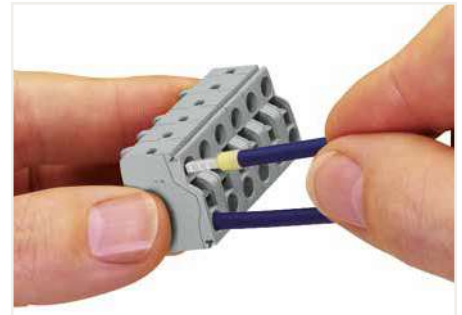
231-2206/037-000

Pole No.	Item No.	PU
2	231-2202/026-000	100
3	231-2203/026-000	100
4	231-2204/026-000	50
5	231-2205/026-000	50
6	231-2206/026-000	50
7	231-2207/026-000	50
8	231-2208/026-000	25
9	231-2209/026-000	25
10	231-2210/026-000	25
11	231-2211/026-000	25
12	231-2212/026-000	25

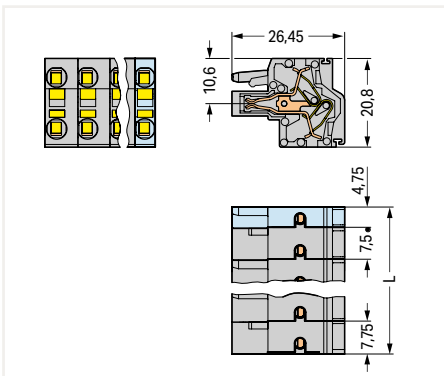
Pole No.	Item No.	PU
2	231-2202/037-000	50
3	231-2203/037-000	50
4	231-2204/037-000	50
5	231-2205/037-000	50
6	231-2206/037-000	25
7	231-2207/037-000	25
8	231-2208/037-000	25
9	231-2209/037-000	25
10	231-2210/037-000	25
11	231-2211/037-000	10
12	231-2212/037-000	10



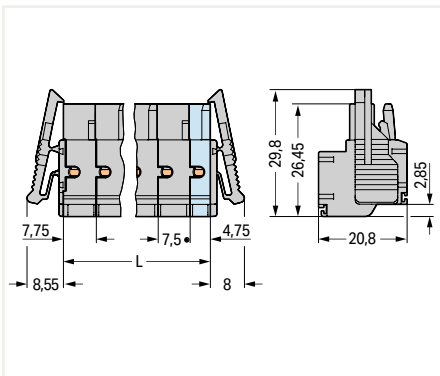
Operating Push-in CAGE CLAMP® is easy, fast and identical to that of CAGE CLAMP®. The screwdriver is fully inserted into the operating slot, holding Push-in CAGE CLAMP® open. After the conductor has been inserted into the clamping unit and the screwdriver been withdrawn, the conductor is clamped safely. Solid and fine-stranded conductors < 0.5 mm² (20 AWG) are terminated and removed using a screwdriver.



Solid conductors ≥ 0.5 mm² (20 AWG), as well as ferruled, fine-stranded conductors can be terminated by simply pushing them into unit. Integrated test ports allow touch contact with current bar via test probes in both horizontal and vertical directions.



L = (pole no. - 2) x pin spacing + 12.5 mm
2- to 3-pole female connectors – one latch only



L = (pole no. - 2) x pin spacing + 12.5 mm
2- to 3-pole female connectors – one latch only

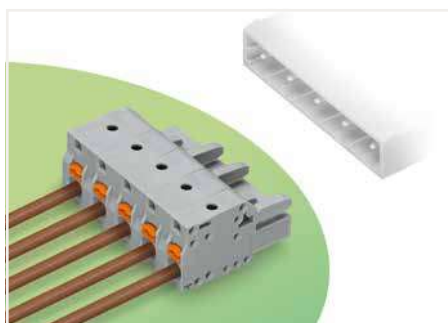
PU = Packaging Unit; SPU = Subpackaging Unit; Dimensions in mm

Other versions (or variants) can be requested from WAGO Sales or configured at <https://configurator.wago.com/>.

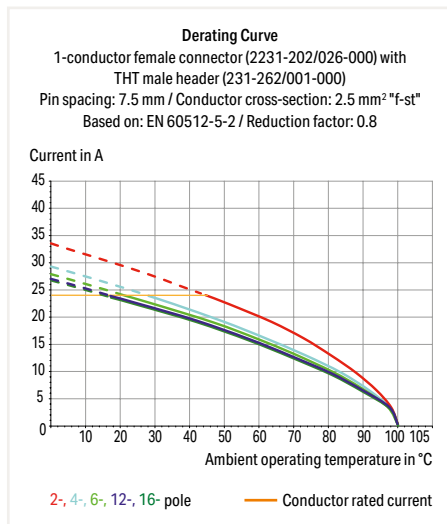
- Gold-plated or partially gold-plated contact surfaces

1-conductor female plug ▶ MCS MIDI Classic ▶ 2231 Series

Pin spacing: 7.5 mm / 0.295 inch ▶ Actuation type: Push-button ▶ Push-in CAGE CLAMP® ▶ Conductor entry direction to mating direction: 0° ▶ Color: gray



- Universal connection for all conductor types
- Easy-to-use design does not require specialty tools
- Ability to wire while mated
- Push-in termination of solid and ferruled conductors
- Integrated test ports for testing parallel to the conductor entry
- Coding option available



Electrical Data

Ratings per	IEC/EN 60664-1		
Overvoltage category	III	III	II
Pollution degree	3	2	2
Rated voltage	500 V	630 V	1000 V
Rated impulse voltage	6 kV	6 kV	6 kV
Rated current	16 A	16 A	16 A
Approbations per	UL 1059		
Use group	B	C	D
Rated voltage	300 V	300 V	300 V
Rated current	15 A	15 A	10 A
Approbations per	UL 1977		
Rated voltage	600 V		
Rated current	15 A		
Approbations per	CSA		
Use group	B	C	D
Rated voltage	300 V	300 V	300 V
Rated current	15 A	15 A	10 A

Connection Data

Connection technology	Push-in CAGE CLAMP®
Strip length	10 ... 11 mm / 0.39 ... 0.43 inch
Solid conductor	0.2 ... 2.5 mm ² / 24 ... 12 AWG
Fine-stranded conductor	0.2 ... 2.5 mm ² / 24 ... 12 AWG
Fine-stranded conductor; with insulated ferrule	0.25 ... 1.5 mm ²
Fine-stranded conductor; with uninsulated ferrule	0.25 ... 2.5 mm ²

Material Data

Material group	I
Insulation material	Polyamide (PA66)
Flammability class per UL94	V0
Clamping spring material	Chrome nickel spring steel (CrNi)
Contact material	Copper alloy
Contact plating	Tin-plated

Environmental Requirements

Limit temperature range	-60 ... +100 °C
-------------------------	-----------------

The MCS – MULTI CONNECTION SYSTEM includes connectors without breaking capacity in accordance with DIN EN 61984. When used as intended, these connectors must not be connected/disconnected when live or under load. The circuit design should ensure header pins, which can be touched, are not live when unmated.

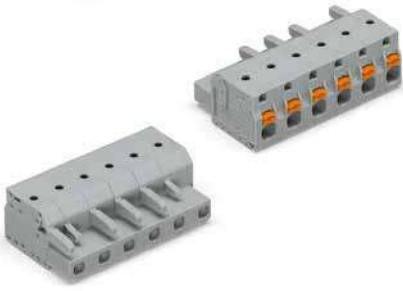
Ferrule	Page 879
Insulation stop	Page 727
Marking	Page 865
Mounting	Page 732
Strain relief	Page 729
Test and measurement	Page 725, 886
Tool	Page 870
Direct marking	Page 734
Cutout dimensions	Page 738
See technical section for further information	
For approvals and corresponding ratings, visit www.wago.com	

1-conductor female plug ▶ MCS MIDI Classic ▶ 2231 Series

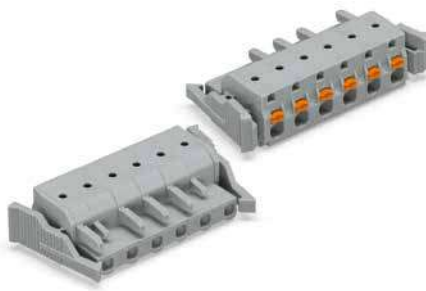
Pin spacing: 7.5 mm / 0.295 inch ▶ Actuation type: Push-button ▶ Push-in CAGE CLAMP® ▶ Conductor entry direction to mating direction: 0° ▶ Color: gray

Locking of plug-in connection: Locking lever

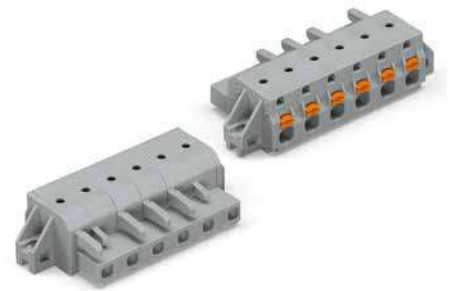
Mounting type: Feed-through mounting; Panel mounting
▶ Mounting type: Mounting flange



2231-206/026-000



2231-206/037-000

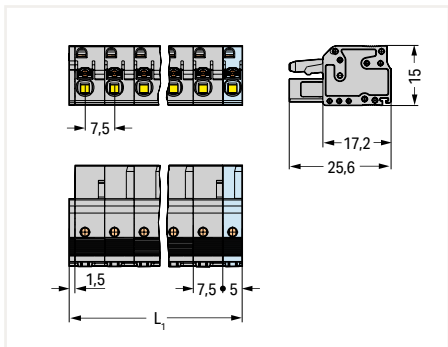


2231-206/031-000

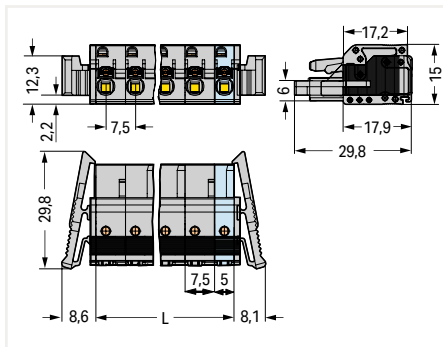
Pole No.	Item No.	PU
2	2231-202/026-000	100
3	2231-203/026-000	100
4	2231-204/026-000	50
5	2231-205/026-000	50
6	2231-206/026-000	50
7	2231-207/026-000	50
8	2231-208/026-000	25
9	2231-209/026-000	25
10	2231-210/026-000	25
11	2231-211/026-000	25
12	2231-212/026-000	25
13	2231-213/026-000	10
16	2231-216/026-000	10

Pole No.	Item No.	PU
2	2231-202/037-000	50
3	2231-203/037-000	50
4	2231-204/037-000	50
5	2231-205/037-000	50
6	2231-206/037-000	25
7	2231-207/037-000	25
8	2231-208/037-000	25
9	2231-209/037-000	25
10	2231-210/037-000	25
11	2231-211/037-000	10
12	2231-212/037-000	10
13	2231-213/037-000	10
16	2231-216/037-000	10

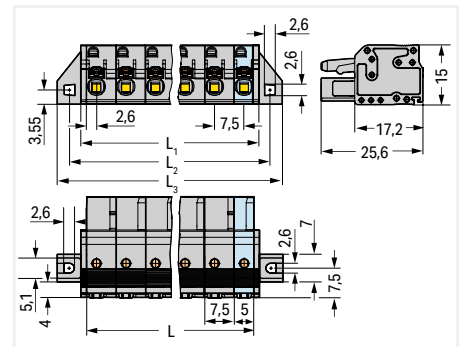
Pole No.	Item No.	PU
2	2231-202/031-000	50
3	2231-203/031-000	50
4	2231-204/031-000	50
5	2231-205/031-000	50
6	2231-206/031-000	25
7	2231-207/031-000	25
8	2231-208/031-000	25
9	2231-209/031-000	25
10	2231-210/031-000	25
11	2231-211/031-000	10
12	2231-212/031-000	10
13	2231-213/031-000	10
16	2231-216/031-000	10



$L_1 = (\text{pole no.} - 1) \times \text{pin spacing} + 5 \text{ mm} + 1.5 \text{ mm}$
2- to 3-pole female connectors – one latch only



$L = (\text{pole no.} - 1) \times \text{pin spacing} + 5 \text{ mm}$
2- to 3-pole female connectors – one latch only



$L = (\text{pole no.} - 1) \times \text{pin spacing} + 5 \text{ mm}$
 $L_1 = L + 2.8 \text{ mm}$
 $L_2 = L + 8.8 \text{ mm}$
 $L_3 = L + 14.8 \text{ mm}$
2- to 3-pole female connectors – one latch only

PU = Packaging Unit; SPU = Subpackaging Unit; Dimensions in mm

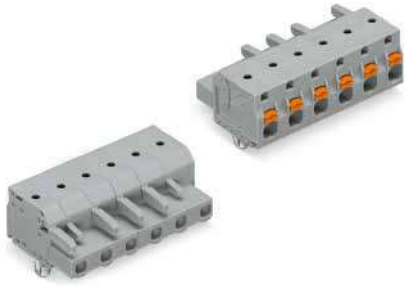
Other versions (or variants) can be requested from WAGO Sales or configured at <https://configurator.wago.com/>.

- Gold-plated or partially gold-plated contact surfaces

1-conductor female plug ▶ MCS MIDI Classic ▶ 2231 Series

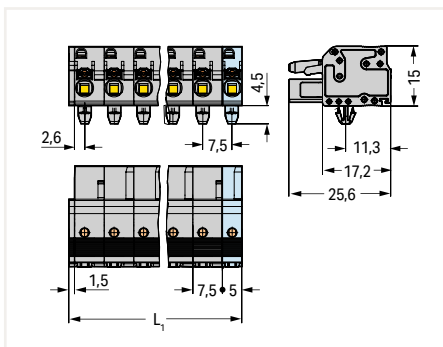
Pin spacing: 7.5 mm / 0.295 inch ▶ Actuation type: Push-button ▶ Push-in CAGE CLAMP® ▶ Conductor entry direction to mating direction: 0 ° ▶ Color: gray

Mounting type: Panel mounting ▶ Mounting type: Snap-in foot



2231-206/008-000

Pole No.	Item No.	PU
2	2231-202/008-000	100
3	2231-203/008-000	100
4	2231-204/008-000	50
5	2231-205/008-000	50
6	2231-206/008-000	50
7	2231-207/008-000	50
8	2231-208/008-000	25
9	2231-209/008-000	25
10	2231-210/008-000	25
11	2231-211/008-000	25
12	2231-212/008-000	25
13	2231-213/008-000	10
16	2231-216/008-000	10



$L_1 = (\text{pole no.} - 1) \times \text{pin spacing} + 5 \text{ mm} + 1.5 \text{ mm}$
2- to 3-pole female connectors – one latch only

PU = Packaging Unit; SPU = Subpackaging Unit; Dimensions in mm

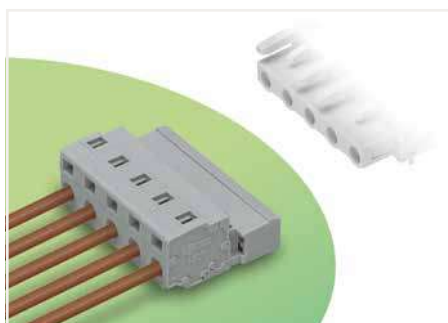
Other versions (or variants) can be requested from WAGO Sales or configured at <https://configurator.wago.com/>.

- Gold-plated or partially gold-plated contact surfaces

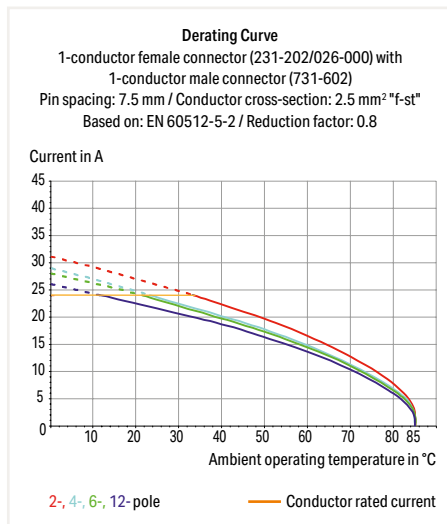
9

1-conductor male connector ▶ MCS MIDI Classic ▶ 731 Series

Pin spacing: 7.5 mm / 0.295 inch ▶ Actuation type: Operating tool ▶ CAGE CLAMP® ▶ Conductor entry direction to mating direction: 0° ▶ Color: gray



- Universal connection for all conductor types
- Easy cable pre-assembly and on-unit wiring via vertical and horizontal CAGE CLAMP® actuation
- For wire-to-wire and board-to-wire connections
- Versions available with snap-in mounting feet or flanges for panel or through-panel mounting
- With coding fingers

**Electrical Data**

Ratings per	IEC/EN 60664-1		
Overvoltage category	III	III	II
Pollution degree	3	2	2
Rated voltage	500 V	630 V	1000 V
Rated impulse voltage	6 kV	6 kV	6 kV
Rated current	12 A	12 A	12 A
Approbations per	UL 1059		
Use group	B	C	D
Rated voltage	300 V	-	300 V
Rated current	15 A	-	10 A
Approbations per	UL 1977		
Rated voltage	600 V		
Rated current	15 A		
Approbations per	CSA		
Use group	B	C	D
Rated voltage	300 V	-	300 V
Rated current	15 A	-	10 A

Connection Data

Connection technology	CAGE CLAMP®
Solid conductor	0.08 ... 2.5 mm ² / 28 ... 12 AWG
Fine-stranded conductor	0.08 ... 2.5 mm ² / 28 ... 12 AWG
Fine-stranded conductor; with insulated ferrule	0.25 ... 1.5 mm ²
Fine-stranded conductor; with uninsulated ferrule	0.25 ... 2.5 mm ²

Material Data

Material group	I
Insulation material	Polyamide (PA66)
Flammability class per UL94	V0
Clamping spring material	Chrome nickel spring steel (CrNi)
Contact material	Electrolytic copper (E _{cu})
Contact plating	Tin-plated

Environmental Requirements

Limit temperature range	-60 ... +100 °C
-------------------------	-----------------

The MCS – MULTI CONNECTION SYSTEM includes connectors without breaking capacity in accordance with DIN EN 61984. When used as intended, these connectors must not be connected/disconnected when live or under load. The circuit design should ensure header pins, which can be touched, are not live when unmated.

Coding	Page 726
Ferrule	Page 879
General accessories	Page 727
Insulation stop	Page 727
Marking	Page 865
Mounting	Page 732, 869
Mounting adapter	Page 733
Strain relief	Page 731
Tool	Page 538, 870
Direct marking	Page 734

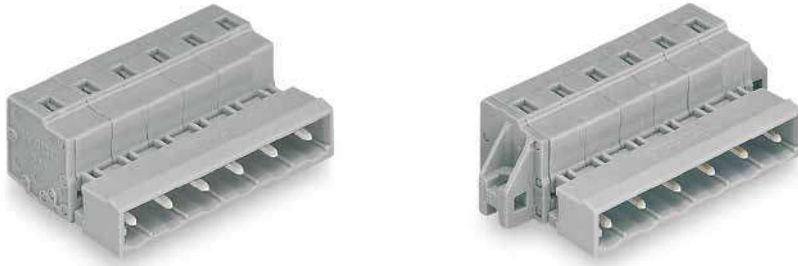
See technical section for further information

For approvals and corresponding ratings, visit www.wago.com

1-conductor male connector ▶ MCS MIDI Classic ▶ 731 Series

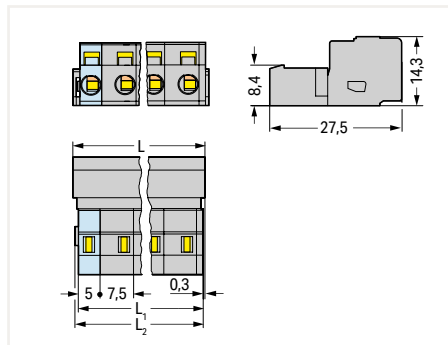
Pin spacing: 7.5 mm / 0.295 inch ▶ Actuation type: Operating tool ▶ CAGE CLAMP® ▶ Conductor entry direction to mating direction: 0° ▶ Color: gray

Mounting type: Feed-through mounting; Panel mounting
▶ Mounting type: Mounting flange

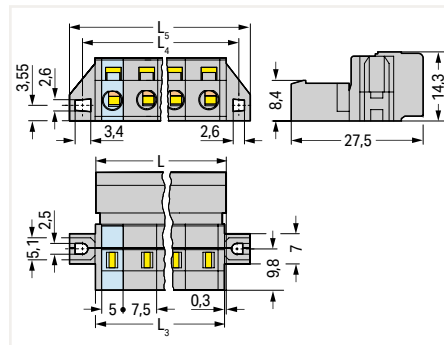


731-606/019-000

Pole No.	Item No.	PU	Pole No.	Item No.	PU
2	731-602	100	2	731-602/019-000	50
3	731-603	100	3	731-603/019-000	50
4	731-604	50	4	731-604/019-000	50
5	731-605	50	5	731-605/019-000	50
6	731-606	50	6	731-606/019-000	25
7	731-607	50	7	731-607/019-000	25
8	731-608	25	8	731-608/019-000	25
9	731-609	25	9	731-609/019-000	25
10	731-610	25	10	731-610/019-000	25
11	731-611	25	11	731-611/019-000	10
12	731-612	25	12	731-612/019-000	10
13	731-613	10	13	731-613/019-000	10
16	731-616	10	16	731-616/019-000	10



$L = (\text{pole no.} - 1) \times \text{pin spacing} + 8.2 \text{ mm}$
 $L_1 = L - 1.7 \text{ mm}$
 $L_2 = L - 1.2 \text{ mm}$



$L = (\text{pole no.} - 1) \times \text{pin spacing} + 8.2 \text{ mm}$
 $L_3 = L - 0.2 \text{ mm}$
 $L_4 = L_3 + 5.8 \text{ mm}$
 $L_5 = L_3 + 11.8 \text{ mm}$

PU = Packaging Unit; SPU = Subpackaging Unit; Dimensions in mm

Other versions (or variants) can be requested from WAGO Sales or configured at <https://configurator.wago.com/>.

- Other pole numbers
- Gold-plated or partially gold-plated contact surfaces

1-conductor male connector ▶ MCS MIDI Classic ▶ 731 Series

Pin spacing: 7.5 mm / 0.295 inch ▶ Actuation type: Operating tool ▶ CAGE CLAMP® ▶ Conductor entry direction to mating direction: 0° ▶ Color: gray

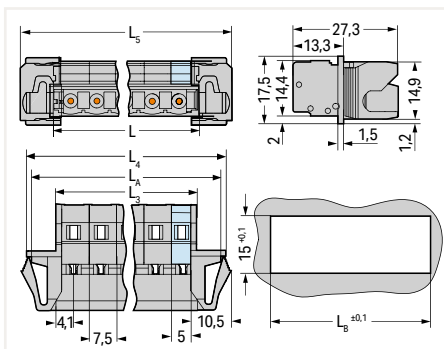
Mounting type: Feed-through mounting ▶ Mounting type: Snap-in



731-606/114-000

Male connector, with snap-in flanges, for feedthrough applications, for 0.5 ... 2.5 mm plate thickness

Pole No.	Item No.	PU
2	731-602/114-000	50
3	731-603/114-000	50
4	731-604/114-000	50
5	731-605/114-000	25
6	731-606/114-000	25
7	731-607/114-000	25
8	731-608/114-000	25
9	731-609/114-000	25
10	731-610/114-000	10
11	731-611/114-000	10
12	731-612/114-000	10
13	731-613/114-000	10
16	731-616/114-000	10



$L = (\text{pole no.} - 1) \times \text{pin spacing} + 8.2 \text{ mm}$

$L_3 = L - 0.2 \text{ mm}$

$L_4 = L_3 + 15.2 \text{ mm}$

$L_6 = L_3 + 18 \text{ mm}$

$L_7 = L_3 + 12.6 \text{ mm}$

$L_8 = L_3 + 13.2 \text{ mm}$

PU = Packaging Unit; SPU = Subpackaging Unit; Dimensions in mm

Other versions (or variants) can be requested from WAGO Sales or configured at <https://configurator.wago.com/>.

- Other pole numbers
- Gold-plated or partially gold-plated contact surfaces

1-conductor male connector ▶ MCS MIDI Classic ▶ 731 Series

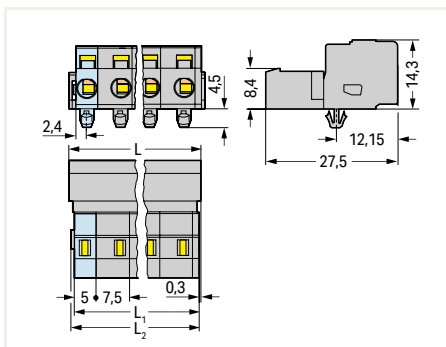
Pin spacing: 7.5 mm / 0.295 inch ▶ Actuation type: Operating tool ▶ CAGE CLAMP® ▶ Conductor entry direction to mating direction: 0° ▶ Color: gray

Mounting type: Panel mounting ▶ Mounting type: Snap-in foot



731-606/018-000

Pole No.	Item No.	PU
2	731-602/018-000	100
3	731-603/018-000	100
4	731-604/018-000	50
5	731-605/018-000	50
6	731-606/018-000	50
7	731-607/018-000	50
8	731-608/018-000	25
9	731-609/018-000	25
10	731-610/018-000	25
11	731-611/018-000	25
12	731-612/018-000	25
13	731-613/018-000	10
16	731-616/018-000	10



$L = (\text{pole no.} - 1) \times \text{pin spacing} + 8.2 \text{ mm}$

$L_1 = L - 1.7 \text{ mm}$

$L_2 = L - 1.2 \text{ mm}$

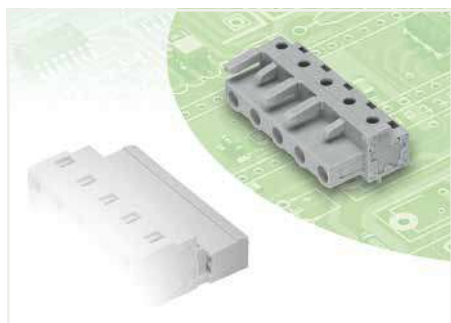
PU = Packaging Unit; SPU = Subpackaging Unit; Dimensions in mm

Other versions (or variants) can be requested from WAGO Sales or configured at <https://configurator.wago.com/>.

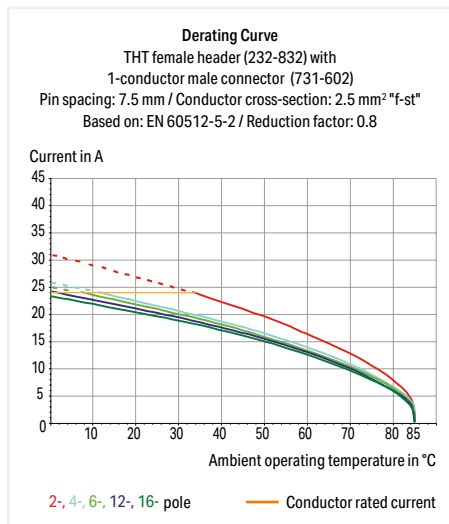
- Other pole numbers
- Gold-plated or partially gold-plated contact surfaces

THT female header ▶ MCS MIDI Classic ▶ 232 Series

Pin spacing: 7.5 mm / 0.295 inch ▶ Solder pin dimensions: 0.6 x 1 mm ▶ Color: gray



- Horizontal or vertical PCB mounting via straight or angled solder pins
- For board-to-board and board-to-wire connections
- Touch-proof PCB outputs
- Easy-to-identify PCB inputs and outputs
- With coding fingers

**Electrical Data**

Ratings per	IEC/EN 60664-1		
Overvoltage category	III	III	II
Pollution degree	3	2	2
Rated voltage	500 V	630 V	1000 V
Rated impulse voltage	6 kV	6 kV	6 kV
Rated current	12 A	12 A	12 A
Approbations per	UL 1059		
Use group	B	C	D
Rated voltage	300 V	-	300 V
Rated current	15 A	-	10 A
Approbations per	UL 1977		
Rated voltage	600 V		
Rated current	15 A		
Approbations per	CSA		
Use group	B	C	D
Rated voltage	300 V	-	300 V
Rated current	15 A	-	10 A

Material Data

Material group	I
Insulation material	Polyamide (PA66)
Flammability class per UL94	V0
Contact material	Copper alloy
Contact plating	Tin-plated

Mechanical Data

Solder pin arrangement	Over the entire female connector (in-line)
Solder pin length	5 mm
Solder pin dimensions	0.6 x 1 mm
Drilled hole diameter with tolerance	1.3 ^(±0.1) mm

Environmental Requirements

Limit temperature range	-60 ... +85 °C
-------------------------	----------------

The MCS – MULTI CONNECTION SYSTEM includes connectors without breaking capacity in accordance with DIN EN 61984. When used as intended, these connectors must not be connected/disconnected when live or under load. The circuit design should ensure header pins, which can be touched, are not live when unmated.

Mounting Page 869

Test and measurement Page 725, 886

Cutout dimensions Page 738

See technical section for further information

For approvals and corresponding ratings, visit www.wago.com

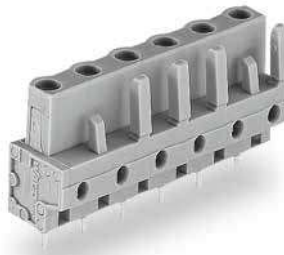
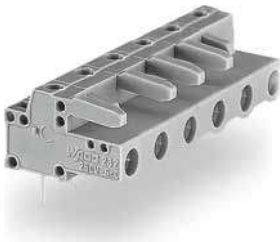
THT female header ▶ MCS MIDI Classic ▶ 232 Series

Pin spacing: 7.5 mm / 0.295 inch ▶ Solder pin dimensions: 0.6 x 1 mm ▶ Color: gray

Mating direction to the PCB: 0°

Mating direction to the PCB: 90°

Locking of plug-in connection: Locking lever ▶ Mating direction to the PCB: 0°

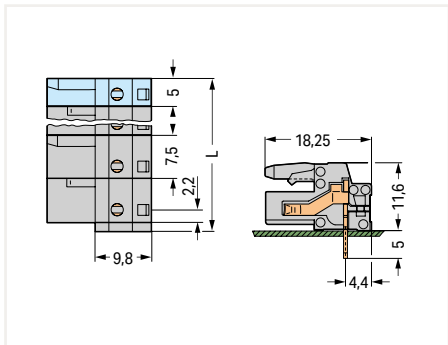


232-836/039-000

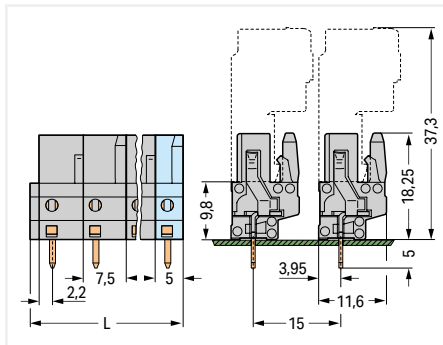
Pole No.	Item No.	PU
2	232-832	100
3	232-833	100
4	232-834	50
5	232-835	50
6	232-836	50
7	232-837	50
8	232-838	25
9	232-839	25
10	232-840	25
11	232-841	25
12	232-842	25
13	232-843	10
16	232-846	10

Pole No.	Item No.	PU
2	232-732	100
3	232-733	100
4	232-734	50
5	232-735	50
6	232-736	50
7	232-737	50
8	232-738	25
9	232-739	25
10	232-740	25
11	232-741	25
12	232-742	25
13	232-743	10
16	232-746	10

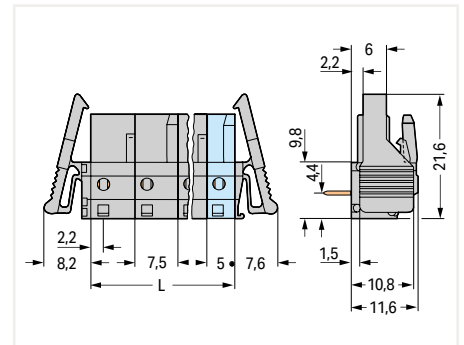
Pole No.	Item No.	PU
2	232-832/039-000	50
3	232-833/039-000	50
4	232-834/039-000	50
5	232-835/039-000	50
6	232-836/039-000	25
7	232-837/039-000	25
8	232-838/039-000	25
9	232-839/039-000	25
10	232-840/039-000	25
11	232-841/039-000	10
12	232-842/039-000	10
13	232-843/039-000	10
16	232-846/039-000	10



L = (pole no. - 1) x pin spacing + 5 mm + 1.5 mm
Distance to first solder pin: 2.2 mm
2- to 3-pole female connectors – one latch only



L = (pole no. - 1) x pin spacing + 5 mm + 1.5 mm
2- to 3-pole female connectors – one latch only



L = (pole no. - 1) x pin spacing + 5 mm
Distance to first solder pin: 2.2 mm
2- to 3-pole female connectors – one latch only

9

PU = Packaging Unit; SPU = Subpackaging Unit; Dimensions in mm

Other versions (or variants) can be requested from WAGO Sales or configured at <https://configurator.wago.com/>.

- Other pole numbers
- 3.8 mm pin projection for male headers with straight solder pins
- Gold-plated or partially gold-plated contact surfaces

THT female header ▶ MCS MIDI Classic ▶ 232 Series

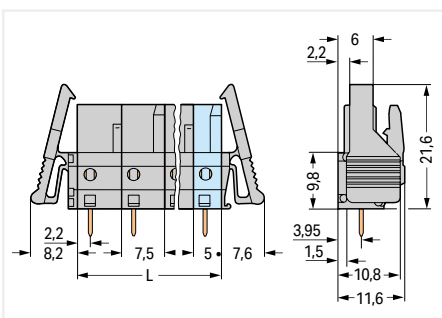
Pin spacing: 7.5 mm / 0.295 inch ▶ Solder pin dimensions: 0.6 x 1 mm ▶ Color: gray

Locking of plug-in connection: Locking lever ▶ Mating direction to the PCB: 90°



232-736/039-000

Pole No.	Item No.	PU
2	232-732/039-000	50
3	232-733/039-000	50
4	232-734/039-000	50
5	232-735/039-000	50
6	232-736/039-000	25
7	232-737/039-000	25
8	232-738/039-000	25
9	232-739/039-000	25
10	232-740/039-000	25
11	232-741/039-000	10
12	232-742/039-000	10
13	232-743/039-000	10
16	232-746/039-000	10



L = (pole no. - 1) x pin spacing + 5 mm
 2- to 3-pole female connectors – one latch only

PU = Packaging Unit; SPU = Subpackaging Unit; Dimensions in mm

Other versions (or variants) can be requested from WAGO Sales or configured at <https://configurator.wago.com/>.

- Other pole numbers
- 3.8 mm pin projection for male headers with straight solder pins
- Gold-plated or partially gold-plated contact surfaces

THT female header ▶ MCS MIDI Classic ▶ 232 Series

Pin spacing: 7.5 mm / 0.295 inch ▶ Solder pin dimensions: 0.6 x 1 mm ▶ Color: gray

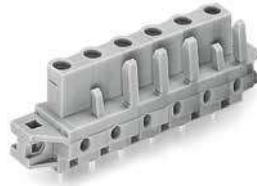
Mounting type: Feed-through mounting; Panel mounting ▶ Mounting type: Mounting flange

Mating direction to the PCB: 0°

Mating direction to the PCB: 90°



232-836/031-000



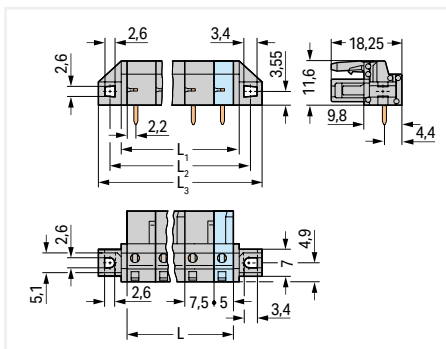
232-736/031-000



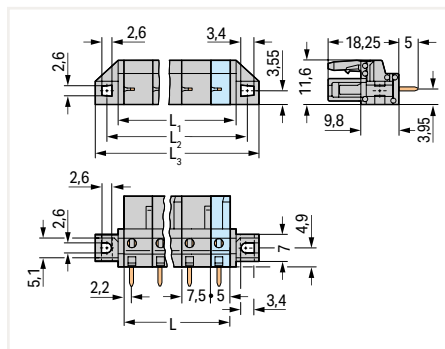
The innovative flange design provides standard panel mounting options or various through-panel mounting configurations. Depending on the type of application and flange, female headers can be used either for through-panel or flush mounted applications.

Pole No.	Item No.	PU
2	232-832/031-000	50
3	232-833/031-000	50
4	232-834/031-000	50
5	232-835/031-000	50
6	232-836/031-000	25
7	232-837/031-000	25
8	232-838/031-000	25
9	232-839/031-000	25
10	232-840/031-000	25
11	232-841/031-000	10
12	232-842/031-000	10
13	232-843/031-000	10
16	232-846/031-000	10

Pole No.	Item No.	PU
2	232-732/031-000	50
3	232-733/031-000	50
4	232-734/031-000	50
5	232-735/031-000	50
6	232-736/031-000	25
7	232-737/031-000	25
8	232-738/031-000	25
9	232-739/031-000	25
10	232-740/031-000	25
11	232-741/031-000	10
12	232-742/031-000	25
13	232-743/031-000	10
16	232-746/031-000	10



L = (pole no. - 1) x pin spacing + 5 mm
 L1 = L + 3 mm
 L2 = L + 8.8 mm
 L3 = L + 14.8 mm
 2- to 3-pole female connectors – one latch only



L = (pole no. - 1) x pin spacing + 5 mm
 L1 = L + 3 mm
 L2 = L + 8.8 mm
 L3 = L + 14.8 mm
 2- to 3-pole female connectors – one latch only

PU = Packaging Unit; SPU = Subpackaging Unit; Dimensions in mm

Other versions (or variants) can be requested from WAGO Sales or configured at <https://configurator.wago.com/>.

- Other pole numbers
- 3.8 mm pin projection for male headers with straight solder pins
- Gold-plated or partially gold-plated contact surfaces

THT female header ▶ MCS MIDI Classic ▶ 232 Series

Pin spacing: 7.5 mm / 0.295 inch ▶ Solder pin dimensions: 0.6 x 1 mm ▶ Color: gray

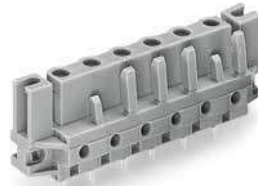
Mounting type: Flush feed-through mounting; Panel mounting ▶ Mounting type: Mounting flange

Mating direction to the PCB: 0°

Mating direction to the PCB: 90°



232-836/047-000



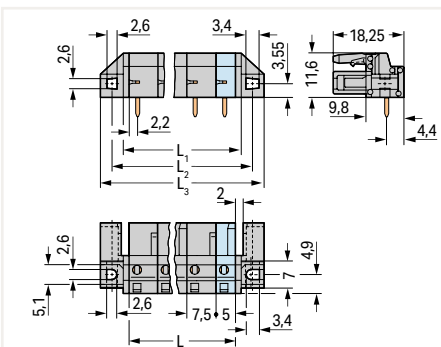
232-736/047-000



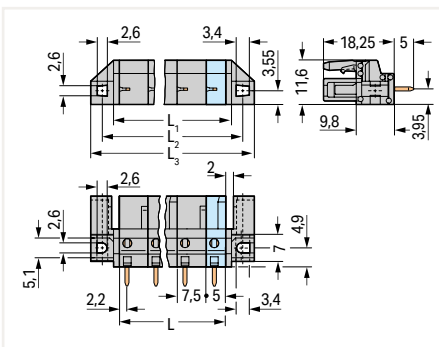
The innovative flange design provides standard panel mounting options or various through-panel mounting configurations. Depending on the type of application and flange, female headers can be used either for through-panel or flush mounted applications.

Pole No.	Item No.	PU
2	232-832/047-000	50
3	232-833/047-000	50
4	232-834/047-000	50
5	232-835/047-000	50
6	232-836/047-000	25
7	232-837/047-000	25
8	232-838/047-000	25
9	232-839/047-000	25
10	232-840/047-000	25
11	232-841/047-000	10
12	232-842/047-000	10
13	232-843/047-000	10
16	232-846/047-000	10

Pole No.	Item No.	PU
2	232-732/047-000	100
3	232-733/047-000	50
4	232-734/047-000	50
5	232-735/047-000	50
6	232-736/047-000	25
7	232-737/047-000	50
8	232-738/047-000	25
9	232-739/047-000	25
10	232-740/047-000	25
11	232-741/047-000	25
12	232-742/047-000	25
13	232-743/047-000	10
16	232-746/047-000	10



L = (pole no. - 1) x pin spacing + 5 mm
 L1 = L + 3 mm
 L2 = L + 8.8 mm
 L3 = L + 14.8 mm
 2- to 3-pole female connectors – one latch only



L = (pole no. - 1) x pin spacing + 5 mm
 L1 = L + 3 mm
 L2 = L + 8.8 mm
 L3 = L + 14.8 mm
 2- to 3-pole female connectors – one latch only

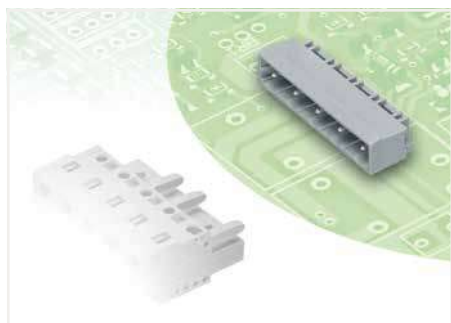
PU = Packaging Unit; SPU = Subpackaging Unit; Dimensions in mm

Other versions (or variants) can be requested from WAGO Sales or configured at <https://configurator.wago.com/>.

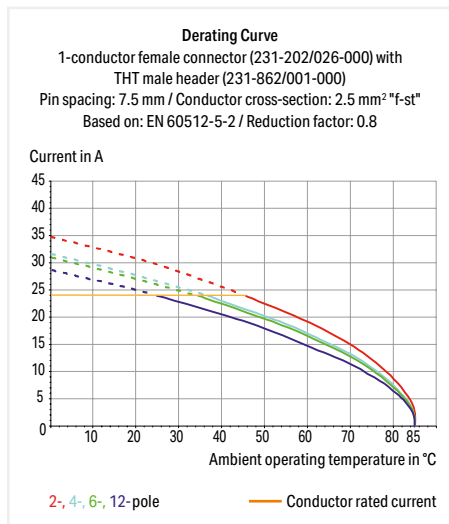
- Other pole numbers
- 3.8 mm pin projection for male headers with straight solder pins
- Gold-plated or partially gold-plated contact surfaces

THT male header ▶ MCS MIDI Classic ▶ 231 Series

Pin spacing: 7.5 mm / 0.295 inch ▶ Solder pin dimensions: 1 x 1 mm ▶ Color: gray



- Horizontal or vertical PCB mounting via straight or angled solder pins
- Pin cross-section: 1 x 1 mm
- With coding fingers

**Electrical Data**

Ratings per	IEC/EN 60664-1		
Overvoltage category	III	III	II
Pollution degree	3	2	2
Rated voltage	500 V	630 V	1000 V
Rated impulse voltage	6 kV	6 kV	6 kV
Rated current	12 A	12 A	12 A
Approbations per	UL 1059		
Use group	B	C	D
Rated voltage	300 V	-	300 V
Rated current	10 A	-	10 A
Approbations per	UL 1977		
Rated voltage	600 V		
Rated current	10 A		
Approbations per	CSA		
Use group	B	C	D
Rated voltage	300 V	-	300 V
Rated current	10 A	-	10 A

Material Data

Material group	I
Insulation material	Polyamide (PA66)
Flammability class per UL94	V0
Contact material	Electrolytic copper (E _{cu})
Contact plating	Tin-plated

Mechanical Data

Solder pin arrangement	Over the entire male connector (in-line)
Solder pin dimensions	1 x 1 mm
Drilled hole diameter with tolerance	1.4 ^(+0.1) mm

Environmental Requirements

Limit temperature range	-60 ... +100 °C
-------------------------	-----------------

The MCS – MULTI CONNECTION SYSTEM includes connectors without breaking capacity in accordance with DIN EN 61984. When used as intended, these connectors must not be connected/disconnected when live or under load. The circuit design should ensure header pins, which can be touched, are not live when unmated.

Coding Page 726

Mounting Page 869

Cutout dimensions Page 738

See technical section for further information

For approvals and corresponding ratings, visit www.wago.com

THT male header ▶ MCS MIDI Classic ▶ 231 Series

Pin spacing: 7.5 mm / 0.295 inch ▶ Solder pin dimensions: 1 x 1 mm ▶ Color: gray

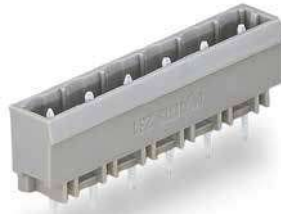
Mating direction to the PCB: 0° ▶ Solder pin length: 3.8 mm

Mating direction to the PCB: 90° ▶ Solder pin length: 5 mm

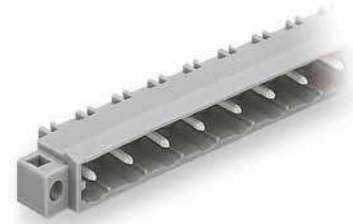
Mounting type: Feed-through mounting; Panel mounting
 ▶ Mounting type: Mounting flange ▶ Mating direction to the PCB: 0° ▶ Solder pin length: 3.8 mm



231-836/001-000



231-236/001-000

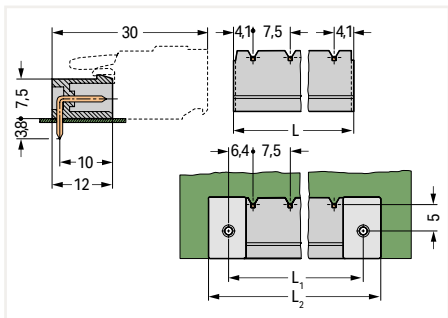


231-840/040-000

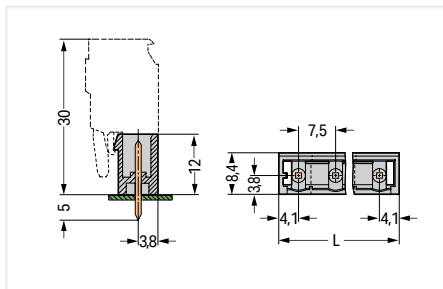
Pole No.	Item No.	PU
2	231-832/001-000	200
3	231-833/001-000	200
4	231-834/001-000	100
5	231-835/001-000	100
6	231-836/001-000	100
7	231-837/001-000	50
8	231-838/001-000	50
9	231-839/001-000	50
10	231-840/001-000	50
11	231-841/001-000	50
12	231-842/001-000	50
13	231-843/001-000	50
16	231-846/001-000	50

Pole No.	Item No.	PU
2	231-232/001-000	200
3	231-233/001-000	200
4	231-234/001-000	100
5	231-235/001-000	100
6	231-236/001-000	100
7	231-237/001-000	50
8	231-238/001-000	50
9	231-239/001-000	50
10	231-240/001-000	50
11	231-241/001-000	50
12	231-242/001-000	50
13	231-243/001-000	50
16	231-246/001-000	50

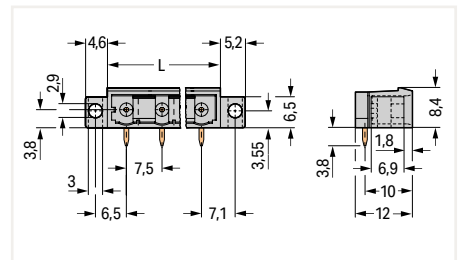
Pole No.	Item No.	PU
10	231-840/040-000	50



$L = (\text{pole no.} - 1) \times \text{pin spacing} + 8.2 \text{ mm}$
 $L_1 = L + 5 \text{ mm}$
 $L_2 = L_1 + 7.4 \text{ mm}$



$L = (\text{pole no.} - 1) \times \text{pin spacing} + 8.2 \text{ mm}$



$L = (\text{pole no.} - 1) \times \text{pin spacing} + 8.2 \text{ mm}$

PU = Packaging Unit; SPU = Subpackaging Unit; Dimensions in mm

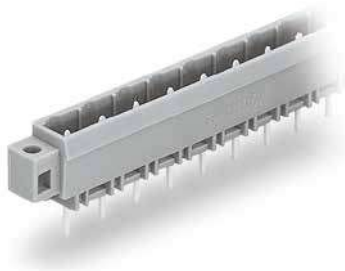
Other versions (or variants) can be requested from WAGO Sales or configured at <https://configurator.wago.com/>.

- Other pole numbers
- 3.8 mm pin projection for male headers with straight solder pins
- Gold-plated or partially gold-plated contact surfaces

THT male header ▶ MCS MIDI Classic ▶ 231 Series

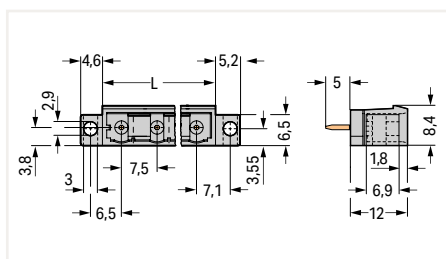
Pin spacing: 7.5 mm / 0.295 inch ▶ Solder pin dimensions: 1 x 1 mm ▶ Color: gray

Mounting type: Feed-through mounting; Panel mounting
 ▶ Mounting type: Mounting flange ▶ Mating direction to the PCB: 90° ▶ Solder pin length: 5 mm



231-240/040-000

Pole No.	Item No.	PU
10	231-240/040-000	25



$$L = (\text{pole no.} - 1) \times \text{pin spacing} + 8.2 \text{ mm}$$

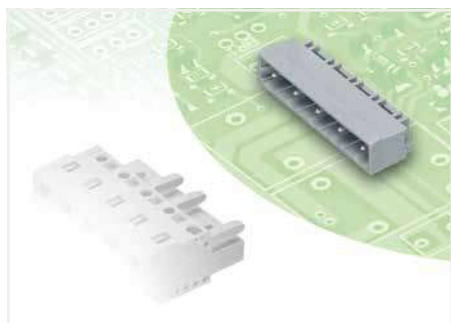
PU = Packaging Unit; SPU = Subpackaging Unit; Dimensions in mm

Other versions (or variants) can be requested from WAGO Sales or configured at <https://configurator.wago.com/>.

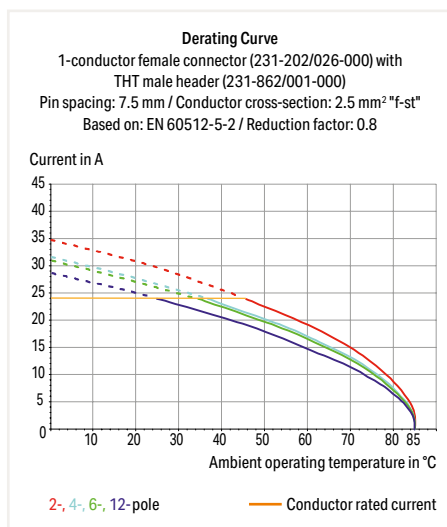
- Other pole numbers
- 3.8 mm pin projection for male headers with straight solder pins
- Gold-plated or partially gold-plated contact surfaces

THT male header ▶ MCS MIDI Classic ▶ 231 Series

Pin spacing: 7.5 mm / 0.295 inch ▶ Solder pin dimensions: 1.2 x 1.2 mm ▶ Color: gray



- Horizontal or vertical PCB mounting via straight or angled solder pins
- 1.2 x 1.2 mm solder pins allow nominal current up to 16 A, enhancing stability of shorter headers
- With coding fingers



Electrical Data

Ratings per	IEC/EN 60664-1		
Overvoltage category	III	III	II
Pollution degree	3	2	2
Rated voltage	500 V	630 V	1000 V
Rated impulse voltage	6 kV	6 kV	6 kV
Rated current	16 A	16 A	16 A
Approbations per	UL 1059		
Use group	B	C	D
Rated voltage	300 V	-	300 V
Rated current	15 A	-	10 A
Approbations per	UL 1977		
Rated voltage	600 V		
Rated current	15 A		
Approbations per	CSA		
Use group	B	C	D
Rated voltage	300 V	-	300 V
Rated current	15 A	-	10 A

Material Data

Material group	I
Insulation material	Polyamide (PA66)
Flammability class per UL94	V0
Contact material	Electrolytic copper (E _{cu})
Contact plating	Tin-plated

Mechanical Data

Solder pin arrangement	Over the entire male connector (in-line)
Solder pin dimensions	1.2 x 1.2 mm
Drilled hole diameter with tolerance	1.7 ^(+0.1) mm

Environmental Requirements

Limit temperature range	-60 ... +100 °C
-------------------------	-----------------

The MCS – MULTI CONNECTION SYSTEM includes connectors without breaking capacity in accordance with DIN EN 61984. When used as intended, these connectors must not be connected/disconnected when live or under load. The circuit design should ensure header pins, which can be touched, are not live when unmated.

Coding Page 726

Mounting Page 869

Cutout dimensions Page 738

See technical section for further information

For approvals and corresponding ratings, visit www.wago.com

THT male header ▶ MCS MIDI Classic ▶ 231 Series

Pin spacing: 7.5 mm / 0.295 inch ▶ Solder pin dimensions: 1.2 x 1.2 mm ▶ Color: gray

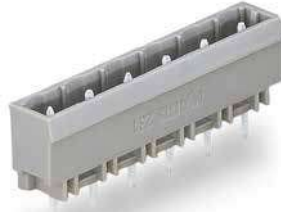
Mating direction to the PCB: 0° ▶ Solder pin length: 3.8 mm

Mating direction to the PCB: 90° ▶ Solder pin length: 5 mm

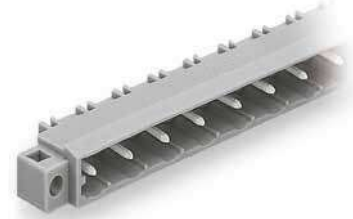
Mounting type: Feed-through mounting; Panel mounting
 ▶ Mounting type: Mounting flange ▶ Mating direction to the PCB: 0° ▶ Solder pin length: 3.8 mm



231-866/001-000



231-266/001-000

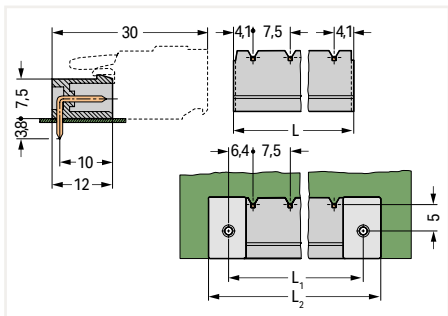


231-870/040-000

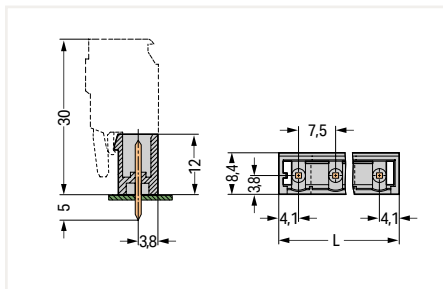
Pole No.	Item No.	PU
2	231-862/001-000	200
3	231-863/001-000	200
4	231-864/001-000	100
5	231-865/001-000	100
6	231-866/001-000	100
7	231-867/001-000	50
8	231-868/001-000	50
9	231-869/001-000	50
10	231-870/001-000	50
11	231-871/001-000	50
12	231-872/001-000	50
13	231-873/001-000	50
16	231-876/001-000	50

Pole No.	Item No.	PU
2	231-262/001-000	200
3	231-263/001-000	200
4	231-264/001-000	100
5	231-265/001-000	100
6	231-266/001-000	100
7	231-267/001-000	50
8	231-268/001-000	50
9	231-269/001-000	50
10	231-270/001-000	50
11	231-271/001-000	50
12	231-272/001-000	50
13	231-273/001-000	50
16	231-276/001-000	50

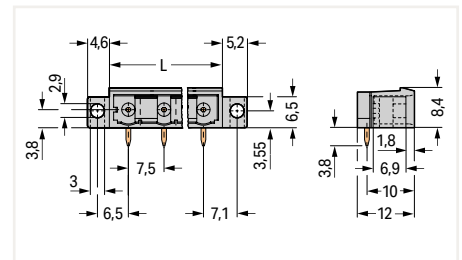
Pole No.	Item No.	PU
10	231-870/040-000	50



$L = (\text{pole no.} - 1) \times \text{pin spacing} + 8.2 \text{ mm}$
 $L_1 = L + 5 \text{ mm}$
 $L_2 = L_1 + 7.4 \text{ mm}$



$L = (\text{pole no.} - 1) \times \text{pin spacing} + 8.2 \text{ mm}$



$L = (\text{pole no.} - 1) \times \text{pin spacing} + 8.2 \text{ mm}$

PU = Packaging Unit; SPU = Subpackaging Unit; Dimensions in mm

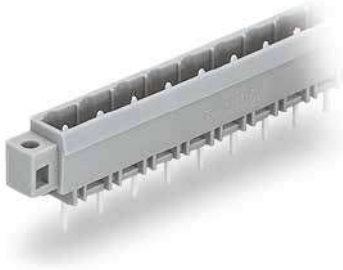
Other versions (or variants) can be requested from WAGO Sales or configured at <https://configurator.wago.com/>.

- Other pole numbers
- 3.8 mm pin projection for male headers with straight solder pins
- Gold-plated or partially gold-plated contact surfaces

THT male header ▶ MCS MIDI Classic ▶ 231 Series

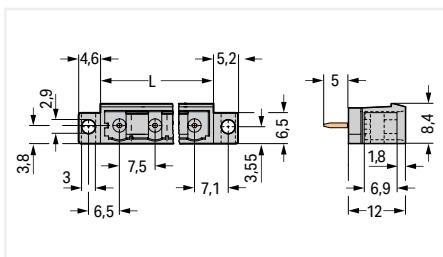
Pin spacing: 7.5 mm / 0.295 inch ▶ Solder pin dimensions: 1.2 x 1.2 mm ▶ Color: gray

Mounting type: Feed-through mounting; Panel mounting
 ▶ Mounting type: Mounting flange ▶ Mating direction to the PCB: 90° ▶ Solder pin length: 5 mm



231-270/040-000

Pole No.	Item No.	PU
10	231-270/040-000	50



$$L = (\text{pole no.} - 1) \times \text{pin spacing} + 8.2 \text{ mm}$$

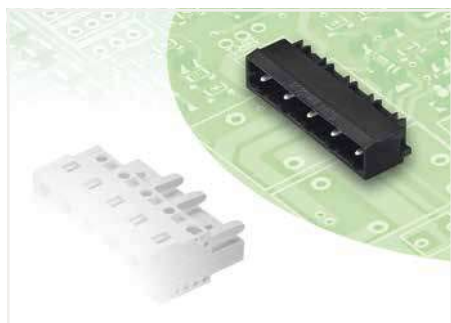
PU = Packaging Unit; SPU = Subpackaging Unit; Dimensions in mm

Other versions (or variants) can be requested from WAGO Sales or configured at <https://configurator.wago.com/>.

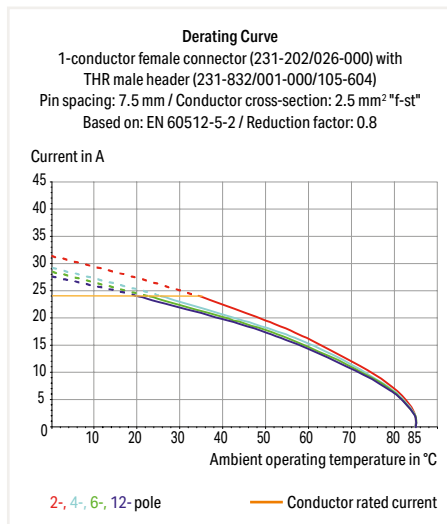
- Other pole numbers
- 3.8 mm pin projection for male headers with straight solder pins
- Gold-plated or partially gold-plated contact surfaces

THR male header ▶ MCS MIDI Classic ▶ 231 Series

Pin spacing: 7.5 mm / 0.295 inch ▶ Solder pin dimensions: 1 x 1 mm ▶ Color: black



- THR male headers for reflow soldering in SMT applications
- Available in tape-and-reel packaging for automated pick-and-place PCB assembly
- Also available in bulk packaging for manual placement
- Male headers may be mounted horizontally or vertically
- With coding fingers

**Electrical Data**

Ratings per	IEC/EN 60664-1		
Overvoltage category	III	III	II
Pollution degree	3	2	2
Rated voltage	500 V	630 V	1000 V
Rated impulse voltage	6 kV	6 kV	6 kV
Rated current	12 A	12 A	12 A
Approbations per	UL 1059		
Use group	B	C	D
Rated voltage	300 V	-	300 V
Rated current	10 A	-	10 A
Approbations per	UL 1977		
Rated voltage	600 V		
Rated current	10 A		
Approbations per	CSA		
Use group	B	C	D
Rated voltage	300 V	-	300 V
Rated current	10 A	-	10 A

Material Data

Material group	I
Insulation material	Polyphthalamide (PPA GF)
Flammability class per UL94	V0
Contact material	Electrolytic copper (E _{cu})
Contact plating	Tin-plated

Mechanical Data

Solder pin arrangement	Over the entire male connector (in-line)
Solder pin length	2.4 mm
Solder pin dimensions	1 x 1 mm
Plated through-hole diameter (THR)	1.4 ^(+0.1) mm

Environmental Requirements

Limit temperature range	-60 ... +100 °C
-------------------------	-----------------

The MCS – MULTI CONNECTION SYSTEM includes connectors without breaking capacity in accordance with DIN EN 61984. When used as intended, these connectors must not be connected/disconnected when live or under load. The circuit design should ensure header pins, which can be touched, are not live when unmated.

THR soldering Page 596

Coding Page 726

See technical section for further information

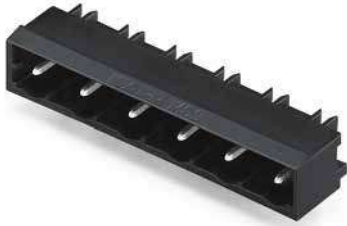
For approvals and corresponding ratings, visit www.wago.com

THR male header ▶ MCS MIDI Classic ▶ 231 Series

Pin spacing: 7.5 mm / 0.295 inch ▶ Solder pin dimensions: 1 x 1 mm ▶ Color: black

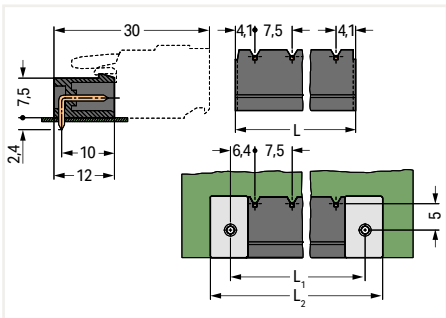
Mating direction to the PCB: 0°

Suitable for automated assembly

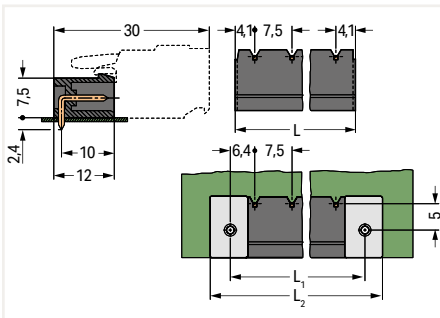


Pole No.	Item No.	PU
2	231-832/001-000/105-604	200
3	231-833/001-000/105-604	200
4	231-834/001-000/105-604	100
5	231-835/001-000/105-604	100
6	231-836/001-000/105-604	100
7	231-837/001-000/105-604	50
8	231-838/001-000/105-604	50
9	231-839/001-000/105-604	50
10	231-840/001-000/105-604	50
11	231-841/001-000/105-604	50
12	231-842/001-000/105-604	50

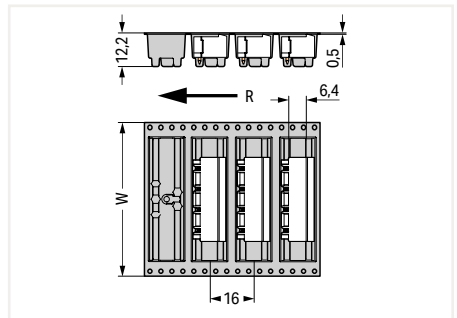
Pole No.	Tape width	Item No.	PU
2	32 mm	231-832/001-000/105-604/997-405	170
3	56 mm	231-833/001-000/105-604/997-407	170
4	56 mm	231-834/001-000/105-604/997-407	170
5	56 mm	231-835/001-000/105-604/997-407	170
6	88 mm	231-836/001-000/105-604/997-409	330
7	88 mm	231-837/001-000/105-604/997-409	330
8	88 mm	231-838/001-000/105-604/997-409	330
9	88 mm	231-839/001-000/105-604/997-409	330



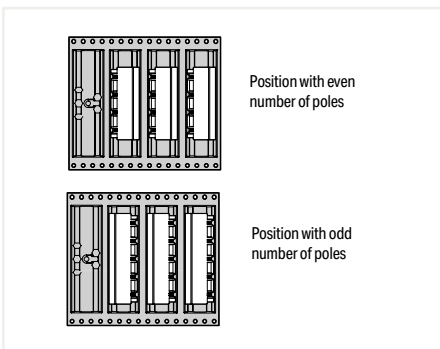
$L = (\text{pole no.} - 1) \times \text{pin spacing} + 8.2 \text{ mm}$
 $L_1 = L + 5 \text{ mm}$
 $L_2 = L_1 + 7.4 \text{ mm}$



$L = (\text{pole no.} - 1) \times \text{pin spacing} + 8.2 \text{ mm}$
 $L_1 = L + 5 \text{ mm}$
 $L_2 = L_1 + 7.4 \text{ mm}$



W = tape width
 R = feed direction



Pin position in tape-and-reel packaging

PU = Packaging Unit; SPU = Subpackaging Unit; Dimensions in mm

Other versions (or variants) can be requested from WAGO Sales or configured at <https://configurator.wago.com/>.

- Other pole numbers
- Gold-plated or partially gold-plated contact surfaces

THR male header ▶ MCS MIDI Classic ▶ 231 Series

Pin spacing: 7.5 mm / 0.295 inch ▶ Solder pin dimensions: 1 x 1 mm ▶ Color: black

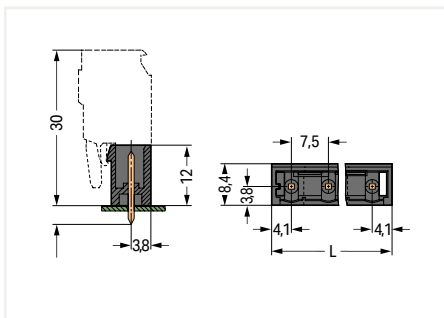
Mating direction to the PCB: 90°

Suitable for automated assembly

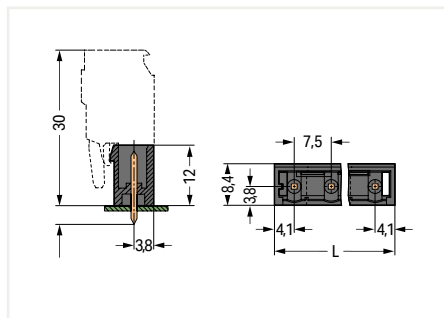


Pole No.	Item No.	PU
2	231-232/001-000/105-604	200
3	231-233/001-000/105-604	200
4	231-234/001-000/105-604	100
5	231-235/001-000/105-604	100
6	231-236/001-000/105-604	100
7	231-237/001-000/105-604	50
8	231-238/001-000/105-604	50
9	231-239/001-000/105-604	50
10	231-240/001-000/105-604	50
11	231-241/001-000/105-604	50
12	231-242/001-000/105-604	50

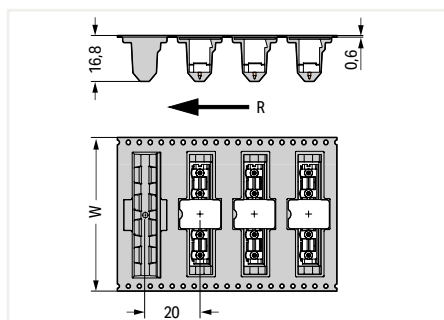
Pole No.	Tape width	Item No.	PU
2	32 mm	231-232/001-000/105-604/997-405	170
3	56 mm	231-233/001-000/105-604/997-407	170
4	56 mm	231-234/001-000/105-604/997-407	170
5	56 mm	231-235/001-000/105-604/997-407	170
6	88 mm	231-236/001-000/105-604/997-409	170
7	88 mm	231-237/001-000/105-604/997-409	170
8	88 mm	231-238/001-000/105-604/997-409	170
9	88 mm	231-239/001-000/105-604/997-409	170



L = (pole no. - 1) x pin spacing + 8.2 mm



L = (pole no. - 1) x pin spacing + 8.2 mm



W = tape width
R = feed direction

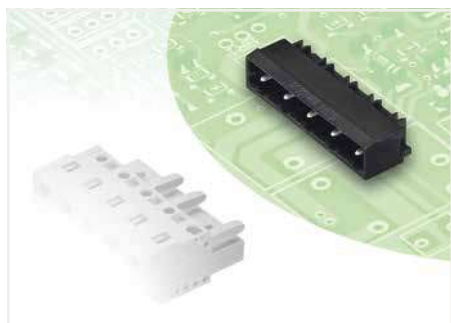
PU = Packaging Unit; SPU = Subpackaging Unit; Dimensions in mm

Other versions (or variants) can be requested from WAGO Sales or configured at <https://configurator.wago.com/>.

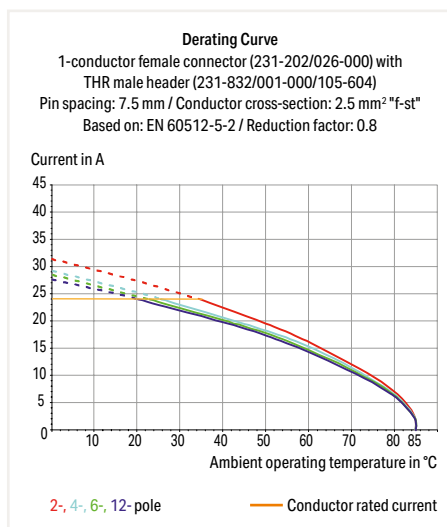
- Other pole numbers
- Gold-plated or partially gold-plated contact surfaces

THR male header ▶ MCS MIDI Classic ▶ 231 Series

Pin spacing: 7.5 mm / 0.295 inch ▶ Solder pin dimensions: 1.2 x 1.2 mm ▶ Color: black



- THR male headers for reflow soldering in SMT applications
- Available in tape-and-reel packaging for automated pick-and-place PCB assembly
- 1.2 x 1.2 mm solder pins allow nominal current up to 16 A, enhancing stability of shorter headers
- Also available in bulk packaging for manual placement
- Male headers may be mounted horizontally or vertically
- With coding fingers



Electrical Data

Ratings per		IEC/EN 60664-1		
Overvoltage category		III	III	II
Pollution degree		3	2	2
Rated voltage		500 V	630 V	1000 V
Rated impulse voltage		6 kV	6 kV	6 kV
Rated current		16 A	16 A	16 A
Approbations per		UL 1059		
Use group		B	C	D
Rated voltage		300 V	-	300 V
Rated current		10 A	-	10 A
Approbations per		UL 1977		
Rated voltage		600 V		
Rated current		15 A		
Approbations per		CSA		
Use group		B	C	D
Rated voltage		300 V	-	300 V
Rated current		10 A	-	10 A

Material Data

Material group	I
Insulation material	Polyphthalamide (PPA GF)
Flammability class per UL94	V0
Contact material	Electrolytic copper (E _{cu})
Contact plating	Tin-plated

Mechanical Data

Solder pin arrangement	Over the entire male connector (in-line)
Solder pin length	2.4 mm
Solder pin dimensions	1.2 x 1.2 mm
Plated through-hole diameter (THR)	1.7 ^(+0.1) mm

Environmental Requirements

Limit temperature range	-60 ... +100 °C
-------------------------	-----------------

The MCS – MULTI CONNECTION SYSTEM includes connectors without breaking capacity in accordance with DIN EN 61984. When used as intended, these connectors must not be connected/disconnected when live or under load. The circuit design should ensure header pins, which can be touched, are not live when unmated.

THR soldering Page 596

Coding Page 726

See technical section for further information

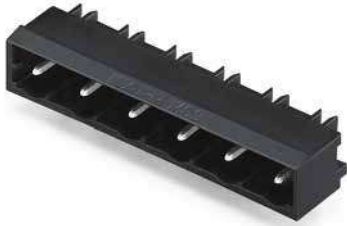
For approvals and corresponding ratings, visit www.wago.com

THR male header ▶ MCS MIDI Classic ▶ 231 Series

Pin spacing: 7.5 mm / 0.295 inch ▶ Solder pin dimensions: 1.2 x 1.2 mm ▶ Color: black

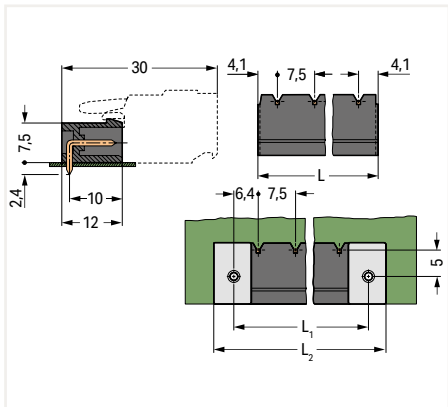
Mating direction to the PCB: 0°

Suitable for automated assembly

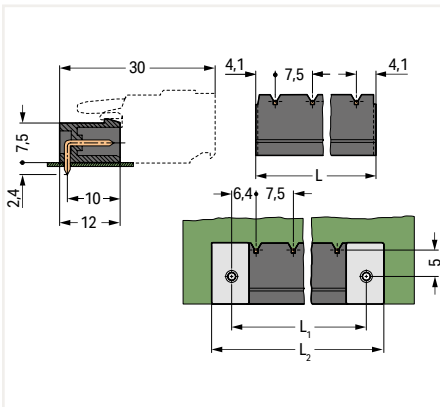


Pole No.	Item No.	PU
2	231-862/001-000/105-604	200
3	231-863/001-000/105-604	200
4	231-864/001-000/105-604	100
5	231-865/001-000/105-604	100
6	231-866/001-000/105-604	100
7	231-867/001-000/105-604	50
8	231-868/001-000/105-604	50
9	231-869/001-000/105-604	50
10	231-870/001-000/105-604	50
11	231-871/001-000/105-604	50
12	231-872/001-000/105-604	50

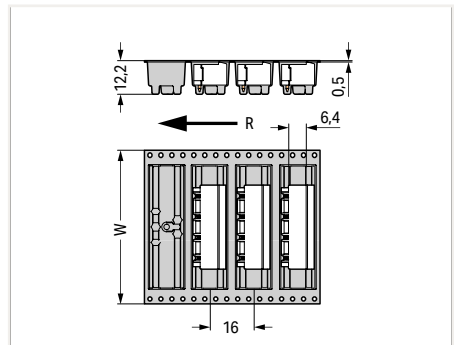
Pole No.	Tape width	Item No.	PU
2	32 mm	231-862/001-000/105-604/997-405	170
3	56 mm	231-863/001-000/105-604/997-407	170
4	56 mm	231-864/001-000/105-604/997-407	170
5	56 mm	231-865/001-000/105-604/997-407	170
6	88 mm	231-866/001-000/105-604/997-409	330
7	88 mm	231-867/001-000/105-604/997-409	330
8	88 mm	231-868/001-000/105-604/997-409	330
9	88 mm	231-869/001-000/105-604/997-409	330



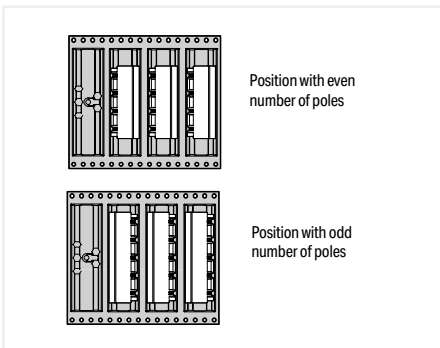
$L = (\text{pole no.} - 1) \times \text{pin spacing} + 8.2 \text{ mm}$
 $L_1 = L + 5 \text{ mm}$
 $L_2 = L_1 + 7.4 \text{ mm}$



$L = (\text{pole no.} - 1) \times \text{pin spacing} + 8.2 \text{ mm}$
 $L_1 = L + 5 \text{ mm}$
 $L_2 = L_1 + 7.4 \text{ mm}$



W = tape width
R = feed direction



Pin position in tape-and-reel packaging

PU = Packaging Unit; SPU = Subpackaging Unit; Dimensions in mm

Other versions (or variants) can be requested from WAGO Sales or configured at <https://configurator.wago.com/>.

- Other pole numbers
- Gold-plated or partially gold-plated contact surfaces

THR male header ▶ MCS MIDI Classic ▶ 231 Series

Pin spacing: 7.5 mm / 0.295 inch ▶ Solder pin dimensions: 1.2 x 1.2 mm ▶ Color: black

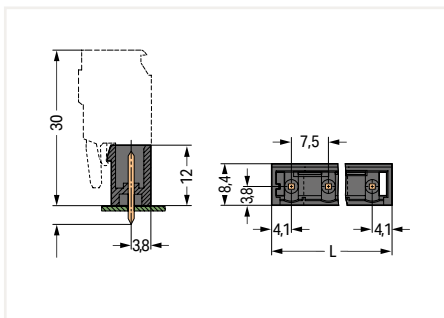
Mating direction to the PCB: 90°

Suitable for automated assembly

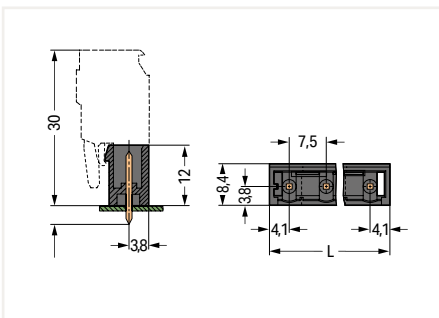


Pole No.	Item No.	PU
2	231-262/001-000/105-604	200
3	231-263/001-000/105-604	200
4	231-264/001-000/105-604	100
5	231-265/001-000/105-604	100
6	231-266/001-000/105-604	50
7	231-267/001-000/105-604	50
8	231-268/001-000/105-604	50
9	231-269/001-000/105-604	50
10	231-270/001-000/105-604	50
11	231-271/001-000/105-604	50
12	231-272/001-000/105-604	50

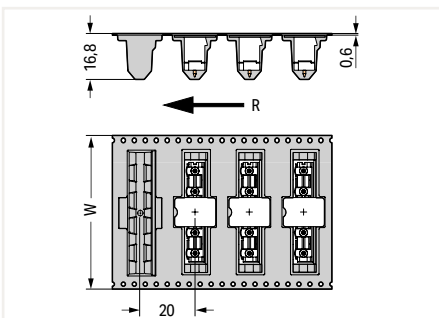
Pole No.	Tape width	Item No.	PU
2	32 mm	231-262/001-000/105-604/997-405	170
3	56 mm	231-263/001-000/105-604/997-407	170
4	56 mm	231-264/001-000/105-604/997-407	170
5	56 mm	231-265/001-000/105-604/997-407	170
6	88 mm	231-266/001-000/105-604/997-409	170
7	88 mm	231-267/001-000/105-604/997-409	170
8	88 mm	231-268/001-000/105-604/997-409	170
9	88 mm	231-269/001-000/105-604/997-409	170



L = (pole no. - 1) x pin spacing + 8.2 mm



L = (pole no. - 1) x pin spacing + 8.2 mm



W = tape width
R = feed direction

PU = Packaging Unit; SPU = Subpackaging Unit; Dimensions in mm

Other versions (or variants) can be requested from WAGO Sales or configured at <https://configurator.wago.com/>.

- Other pole numbers
- Gold-plated or partially gold-plated contact surfaces

Double pin header ▶ MCS MIDI Classic ▶ 232 Series

Pin spacing: 7.5 mm / 0.295 inch ▶ Mounting type: DIN-35 rail ▶ Color: gray



- Allow MCS Female Connectors fitted with wire harness or cable assembly to be plugged together
- Adapter for DIN-35 rail mounting
- Coding via coding keys on both sides

Electrical Data

Ratings per	IEC/EN 60664-1		
Overvoltage category	III	III	II
Pollution degree	3	2	2
Rated voltage	500 V	630 V	1000 V
Rated impulse voltage	6 kV	6 kV	6 kV
Rated current	12 A	12 A	12 A

Approbations per	UL 1059		
Use group	B	C	D
Rated voltage	300 V	-	300 V
Rated current	15 A	-	10 A

Approbations per	UL 1977		
Rated voltage	600 V		
Rated current	15 A		

Approbations per	CSA		
Use group	B	C	D
Rated voltage	300 V	-	300 V
Rated current	15 A	-	10 A

Material Data

Material group	I
Insulation material	Polyamide (PA66)
Flammability class per UL94	V0
Contact material	Electrolytic copper (E _{cu})
Contact plating	Tin-plated

Environmental Requirements

Limit temperature range	-60 ... +100 °C
-------------------------	-----------------

The MCS – MULTI CONNECTION SYSTEM includes connectors without breaking capacity in accordance with DIN EN 61984. When used as intended, these connectors must not be connected/disconnected when live or under load. The circuit design should ensure header pins, which can be touched, are not live when unmated.

Coding Page 726

DIN-rail Page 868

See technical section for further information

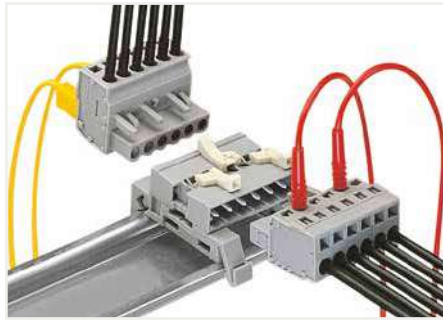
For approvals and corresponding ratings, visit www.wago.com

Double pin header ▶ MCS MIDI Classic ▶ 232 Series

Pin spacing: 7.5 mm / 0.295 inch ▶ Mounting type: DIN-35 rail ▶ Color: gray

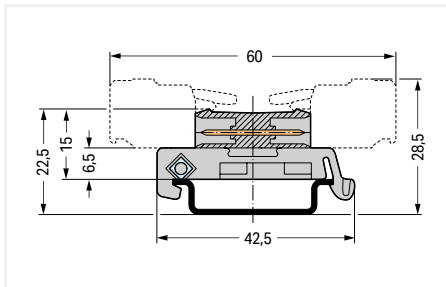


232-566/007-000



Angled female connector – straight female connector

Pole No.	Item No.	PU
2	232-562/007-000	50
3	232-563/007-000	50
4	232-564/007-000	25
5	232-565/007-000	50
6	232-566/007-000	25
7	232-567/007-000	10
8	232-568/007-000	10
9	232-569/007-000	10
10	232-570/007-000	10
11	232-571/007-000	10
12	232-572/007-000	10



Total length = (pole no. - 1) x pin spacing + 8.2 mm

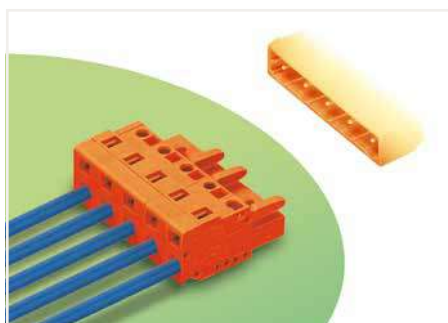
PU = Packaging Unit; SPU = Subpackaging Unit; Dimensions in mm

Other versions (or variants) can be requested from WAGO Sales or configured at <https://configurator.wago.com/>.

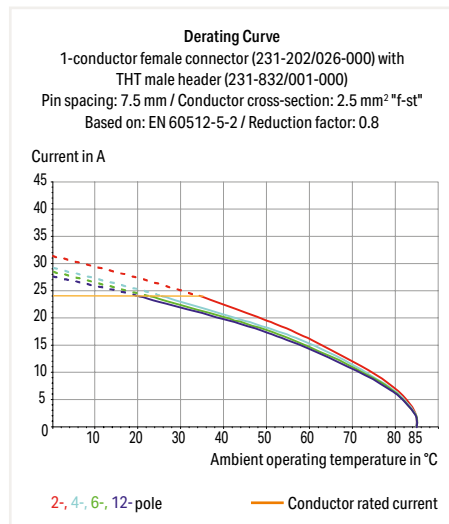
- Other pole numbers

1-conductor female plug ▶ MCS MIDI Classic ▶ 231 Series

Pin spacing: 7.62 mm / 0.3 inch ▶ Actuation type: Operating tool ▶ CAGE CLAMP® ▶ Conductor entry direction to mating direction: 0° ▶ Color: orange



- Universal connection for all conductor types
- Easy cable pre-assembly and on-unit wiring via vertical and horizontal CAGE CLAMP® actuation
- Integrated test ports
- With coding fingers



Electrical Data

Ratings per	IEC/EN 60664-1		
Overvoltage category	III	III	II
Pollution degree	3	2	2
Rated voltage	500 V	630 V	1000 V
Rated impulse voltage	6 kV	6 kV	6 kV
Rated current	16 A	16 A	16 A
Approbations per	UL 1059		
Use group	B	C	D
Rated voltage	300 V	-	300 V
Rated current	15 A	-	10 A
Approbations per	UL 1977		
Rated voltage	600 V		
Rated current	15 A		
Approbations per	CSA		
Use group	B	C	D
Rated voltage	300 V	-	300 V
Rated current	15 A	-	10 A

Connection Data

Connection technology	CAGE CLAMP®
Strip length	8 ... 9 mm / 0.31 ... 0.35 inch
Solid conductor	0.08 ... 2.5 mm ² / 28 ... 12 AWG
Fine-stranded conductor	0.08 ... 2.5 mm ² / 28 ... 12 AWG
Fine-stranded conductor; with insulated ferrule	0.25 ... 1.5 mm ²
Fine-stranded conductor; with uninsulated ferrule	0.25 ... 2.5 mm ²

Material Data

Material group	I
Insulation material	Polyamide (PA66)
Flammability class per UL94	V0
Clamping spring material	Chrome nickel spring steel (CrNi)
Contact material	Copper alloy
Contact plating	Tin-plated

Environmental Requirements

Limit temperature range	-60 ... +85 °C
-------------------------	----------------

The MCS – MULTI CONNECTION SYSTEM includes connectors without breaking capacity in accordance with DIN EN 61984. When used as intended, these connectors must not be connected/disconnected when live or under load. The circuit design should ensure header pins, which can be touched, are not live when unmated.

Ferrule	Page 879
General accessories	Page 727
Insulation stop	Page 727
Marking	Page 865
Mounting	Page 732, 869
Mounting adapter	Page 733
Strain relief	Page 731
Test and measurement	Page 725, 886
Tool	Page 538, 870
Direct marking	Page 734
Cutout dimensions	Page 738
See technical section for further information	
For approvals and corresponding ratings, visit www.wago.com	

1-conductor female plug ▶ MCS MIDI Classic ▶ 231 Series

Pin spacing: 7.62 mm / 0.3 inch ▶ Actuation type: Operating tool ▶ CAGE CLAMP® ▶ Conductor entry direction to mating direction: 0° ▶ Color: orange

Locking of plug-in connection: Locking lever

Mounting type: Feed-through mounting; Panel mounting
▶ Mounting type: Mounting flange



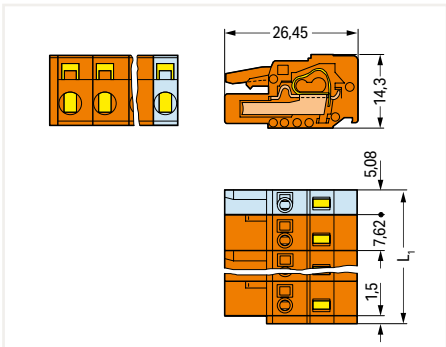
231-706/037-000

231-706/031-000

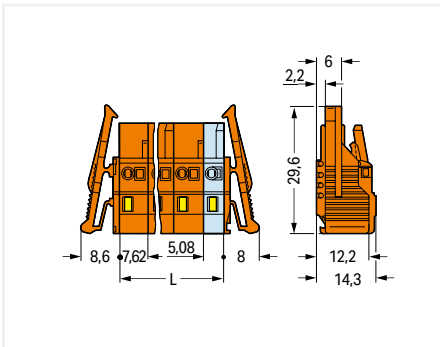
Pole No.	Item No.	PU
2	231-702/026-000	100
3	231-703/026-000	100
4	231-704/026-000	50
5	231-705/026-000	50
6	231-706/026-000	50
7	231-707/026-000	50
8	231-708/026-000	25
9	231-709/026-000	25
10	231-710/026-000	25
11	231-711/026-000	25
12	231-712/026-000	25

Pole No.	Item No.	PU
2	231-702/037-000	50
3	231-703/037-000	50
4	231-704/037-000	50
5	231-705/037-000	50
6	231-706/037-000	25
7	231-707/037-000	25
8	231-708/037-000	25
9	231-709/037-000	25
10	231-710/037-000	25
11	231-711/037-000	10
12	231-712/037-000	10

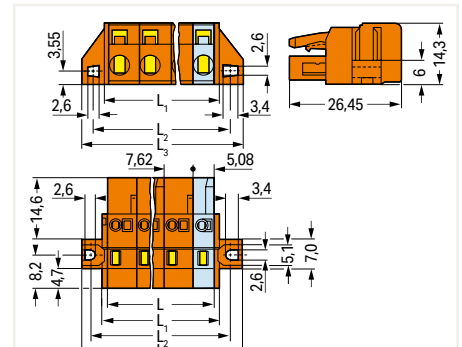
Pole No.	Item No.	PU
2	231-702/031-000	50
3	231-703/031-000	50
4	231-704/031-000	50
5	231-705/031-000	50
6	231-706/031-000	25
7	231-707/031-000	25
8	231-708/031-000	25
9	231-709/031-000	25
10	231-710/031-000	25
11	231-711/031-000	10
12	231-712/031-000	10



$L_1 = (\text{pole no.} - 1) \times \text{pin spacing} + 5.08 \text{ mm} + 1.5 \text{ mm}$
2- to 3-pole female connectors – one latch only



$L = (\text{pole no.} - 1) \times \text{pin spacing} + 5.08 \text{ mm}$
2- to 3-pole female connectors – one latch only



$L = (\text{pole no.} - 1) \times \text{pin spacing} + 5.08 \text{ mm}$
 $L_1 = L + 3 \text{ mm}$
 $L_2 = L + 8.8 \text{ mm}$
 $L_3 = L + 14.8 \text{ mm}$
2- to 3-pole female connectors – one latch only

PU = Packaging Unit; SPU = Subpackaging Unit; Dimensions in mm

Other versions (or variants) can be requested from WAGO Sales or configured at <https://configurator.wago.com/>.

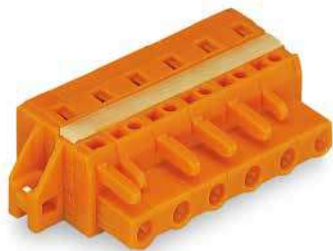
- Gold-plated or partially gold-plated contact surfaces

1-conductor female plug ▶ MCS MIDI Classic ▶ 231 Series

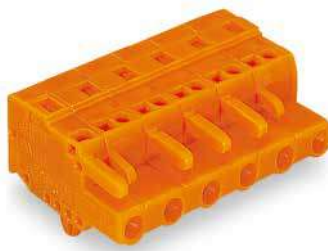
Pin spacing: 7.62 mm / 0.3 inch ▶ Actuation type: Operating tool ▶ CAGE CLAMP® ▶ Conductor entry direction to mating direction: 0° ▶ Color: orange

Mounting type: Feed-through mounting; Panel mounting
▶ Mounting type: Mounting flange ▶ with reinforcing strips

Mounting type: Panel mounting ▶ Mounting type: Snap-in foot



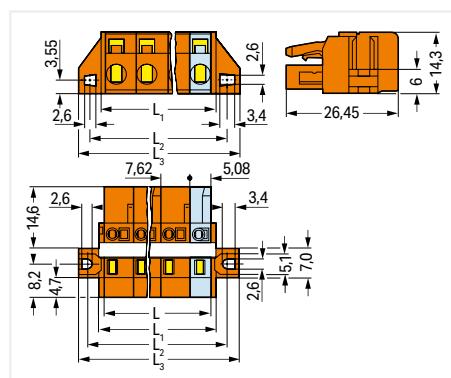
231-706/027-000



231-706/008-000

Pole No.	Item No.	PU
6	231-706/027-000	25
7	231-707/027-000	25
8	231-708/027-000	25
9	231-709/027-000	25
10	231-710/027-000	25
11	231-711/027-000	10
12	231-712/027-000	10

Pole No.	Item No.	PU
2	231-702/008-000	100
3	231-703/008-000	100
4	231-704/008-000	50
5	231-705/008-000	50
6	231-706/008-000	50
7	231-707/008-000	50
8	231-708/008-000	25
9	231-709/008-000	25
10	231-710/008-000	25
11	231-711/008-000	25
12	231-712/008-000	25



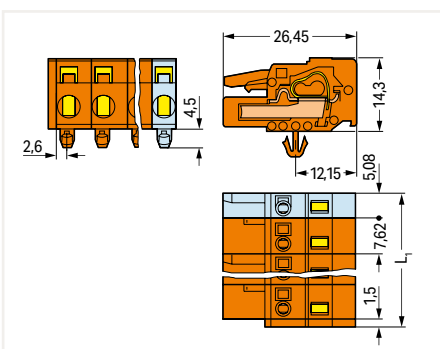
$L = (\text{pole no.} - 1) \times \text{pin spacing} + 5.08 \text{ mm}$

$L_1 = L + 3 \text{ mm}$

$L_2 = L + 8.8 \text{ mm}$

$L_3 = L + 14.8 \text{ mm}$

2- to 3-pole female connectors – one latch only



$L_1 = (\text{pole no.} - 1) \times \text{pin spacing} + 5.08 \text{ mm} + 1.5 \text{ mm}$
2- to 3-pole female connectors – one latch only

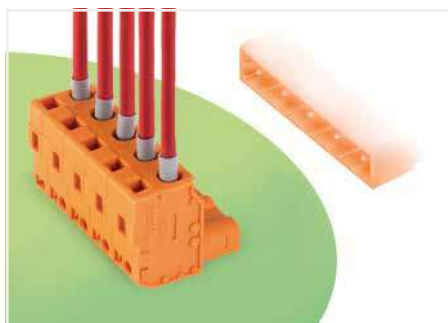
PU = Packaging Unit; SPU = Subpackaging Unit; Dimensions in mm

Other versions (or variants) can be requested from WAGO Sales or configured at <https://configurator.wago.com/>.

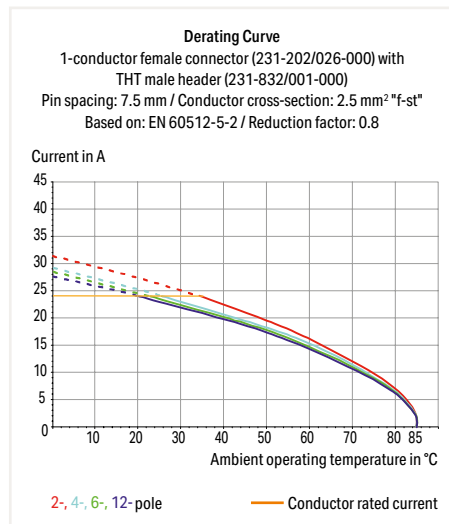
- Gold-plated or partially gold-plated contact surfaces

1-conductor female plug ▶ MCS MIDI Classic ▶ 732 Series

Pin spacing: 7.62 mm / 0.3 inch ▶ Actuation type: Operating tool ▶ CAGE CLAMP® ▶ Conductor entry direction to mating direction: 270 ° ▶ Color: orange



- Universal connection for all conductor types
- Easy cable pre-assembly and on-unit wiring via vertical and horizontal CAGE CLAMP® actuation
- Integrated test ports
- With coding fingers



Electrical Data

Ratings per	IEC/EN 60664-1		
Overvoltage category	III	III	II
Pollution degree	3	2	2
Rated voltage	500 V	630 V	1000 V
Rated impulse voltage	6 kV	6 kV	6 kV
Rated current	14 A	14 A	14 A
Approbations per	UL 1059		
Use group	B	C	D
Rated voltage	300 V	-	300 V
Rated current	15 A	-	10 A
Approbations per	UL 1977		
Rated voltage	600 V		
Rated current	15 A		
Approbations per	CSA		
Use group	B	C	D
Rated voltage	300 V	-	300 V
Rated current	15 A	-	10 A

Connection Data

Connection technology	CAGE CLAMP®
Strip length	8 ... 9 mm / 0.31 ... 0.35 inch
Solid conductor	0.08 ... 2.5 mm ² / 28 ... 12 AWG
Fine-stranded conductor	0.08 ... 2.5 mm ² / 28 ... 12 AWG
Fine-stranded conductor; with insulated ferrule	0.25 ... 1.5 mm ²
Fine-stranded conductor; with uninsulated ferrule	0.25 ... 2.5 mm ²

Material Data

Material group	I
Insulation material	Polyamide (PA66)
Flammability class per UL94	V0
Clamping spring material	Chrome nickel spring steel (CrNi)
Contact material	Copper alloy
Contact plating	Tin-plated

Environmental Requirements

Limit temperature range	-60 ... +85 °C
-------------------------	----------------

The MCS – MULTI CONNECTION SYSTEM includes connectors without breaking capacity in accordance with DIN EN 61984. When used as intended, these connectors must not be connected/disconnected when live or under load. The circuit design should ensure header pins, which can be touched, are not live when unmated.

Ferrule	Page 879
Insulation stop	Page 727
Marking	Page 865
Strain relief	Page 731
Test and measurement	Page 725, 886
Tool	Page 538
Direct marking	Page 734
See technical section for further information	
For approvals and corresponding ratings, visit www.wago.com	

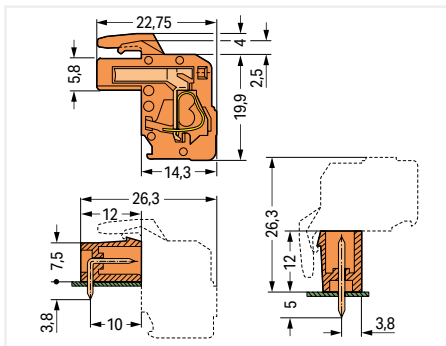
1-conductor female plug ▶ MCS MIDI Classic ▶ 732 Series

Pin spacing: 7.62 mm / 0.3 inch ▶ Actuation type: Operating tool ▶ CAGE CLAMP® ▶ Conductor entry direction to mating direction: 270 ° ▶ Color: orange



732-126/026-000

Pole No.	Item No.	PU
2	732-122/026-000	100
3	732-123/026-000	100
4	732-124/026-000	50
5	732-125/026-000	50
6	732-126/026-000	50
7	732-127/026-000	50
8	732-128/026-000	25
9	732-129/026-000	25
10	732-130/026-000	25
11	732-131/026-000	25
12	732-132/026-000	25



Total length = (pole no. - 1) x pin spacing + 5.08 mm + 1.5 mm + 0.9 mm

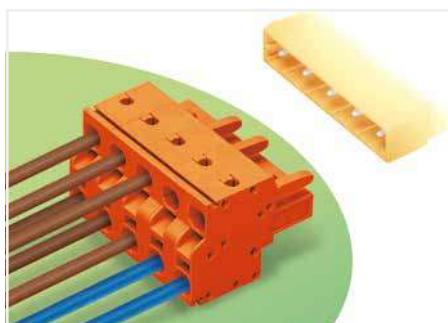
PU = Packaging Unit; SPU = Subpackaging Unit; Dimensions in mm

Other versions (or variants) can be requested from WAGO Sales or configured at <https://configurator.wago.com/>.

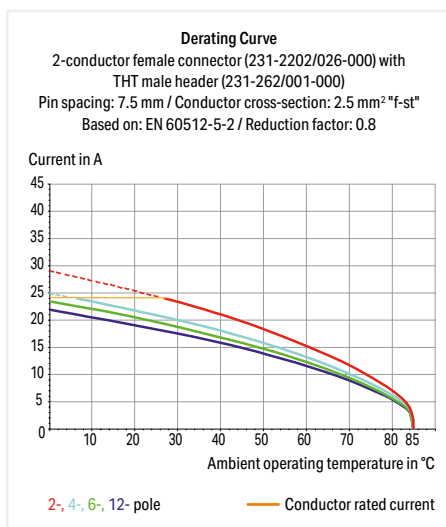
- Gold-plated or partially gold-plated contact surfaces

2-conductor female connector ▶ MCS MIDI Classic ▶ 231 Series

Pin spacing: 7.62 mm / 0.3 inch ▶ Actuation type: Operating tool ▶ Push-in CAGE CLAMP® ▶ Conductor entry direction to mating direction: 0° ▶ Color: orange



- Universal connection for all conductor types
- Two conductor entries per pole
- For looping through power or data buses
- Bus connection is retained, even when unmated
- Push-in termination of solid and ferruled conductors
- With coding fingers



Electrical Data

Ratings per	IEC/EN 60664-1		
Overvoltage category	III	III	II
Pollution degree	3	2	2
Rated voltage	500 V	630 V	1000 V
Rated impulse voltage	6 kV	6 kV	6 kV
Rated current	16 A	16 A	16 A
Approbations per	UL 1059		
Use group	B	C	D
Rated voltage	300 V	-	300 V
Rated current	20 A	-	10 A
Approbations per	UL 1977		
Rated voltage	600 V		
Rated current	20 A		
Approbations per	CSA		
Use group	B	C	D
Rated voltage	300 V	-	300 V
Rated current	15 A	-	10 A

Connection Data

Connection technology	Push-in CAGE CLAMP®
Strip length	9 ... 10 mm / 0.35 ... 0.39 inch
Solid conductor	0.2 ... 2.5 mm ² / 24 ... 12 AWG
Fine-stranded conductor	0.2 ... 2.5 mm ² / 24 ... 12 AWG
Fine-stranded conductor; with insulated ferrule	0.25 ... 1.5 mm ²
Fine-stranded conductor; with uninsulated ferrule	0.25 ... 2.5 mm ²

Material Data

Material group	I
Insulation material	Polyamide (PA66)
Flammability class per UL94	V0
Clamping spring material	Chrome nickel spring steel (CrNi)
Contact material	Copper alloy
Contact plating	Tin-plated

Environmental Requirements

Limit temperature range	-60 ... +85 °C
-------------------------	----------------

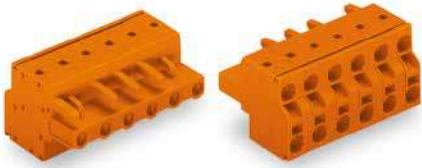
The MCS – MULTI CONNECTION SYSTEM includes connectors without breaking capacity in accordance with DIN EN 61984. When used as intended, these connectors must not be connected/disconnected when live or under load. The circuit design should ensure header pins, which can be touched, are not live when unmated.

Ferrule	Page 879
Insulation stop	Page 727
Marking	Page 865
Strain relief	Page 729
Test and measurement	Page 725
Direct marking	Page 734
See technical section for further information	
For approvals and corresponding ratings, visit www.wago.com	

2-conductor female connector ▶ MCS MIDI Classic ▶ 231 Series

Pin spacing: 7.62 mm / 0.3 inch ▶ Actuation type: Operating tool ▶ Push-in CAGE CLAMP® ▶ Conductor entry direction to mating direction: 0° ▶ Color: orange

Locking of plug-in connection: Locking lever



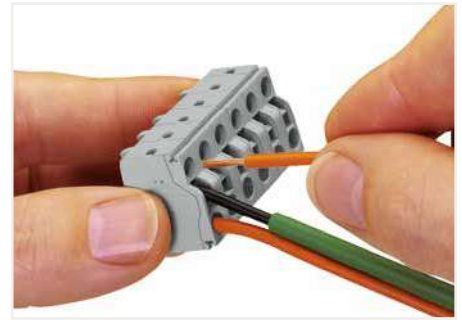
231-2706/026-000



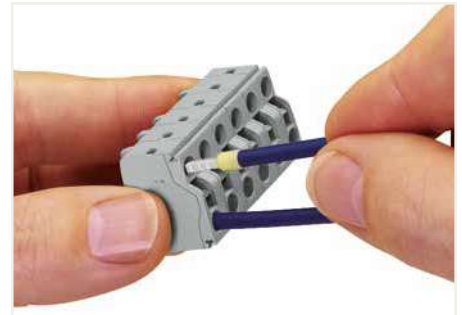
231-2706/037-000

Pole No.	Item No.	PU
2	231-2702/026-000	100
3	231-2703/026-000	100
4	231-2704/026-000	50
5	231-2705/026-000	50
6	231-2706/026-000	50
7	231-2707/026-000	50
8	231-2708/026-000	25
9	231-2709/026-000	25
10	231-2710/026-000	25
11	231-2711/026-000	25
12	231-2712/026-000	25

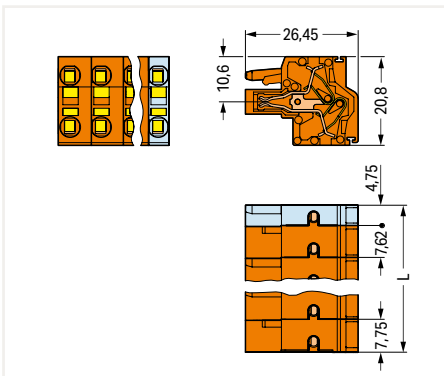
Pole No.	Item No.	PU
2	231-2702/037-000	50
3	231-2703/037-000	50
4	231-2704/037-000	50
5	231-2705/037-000	50
6	231-2706/037-000	25
7	231-2707/037-000	25
8	231-2708/037-000	25
9	231-2709/037-000	25
10	231-2710/037-000	25
11	231-2711/037-000	10
12	231-2712/037-000	10



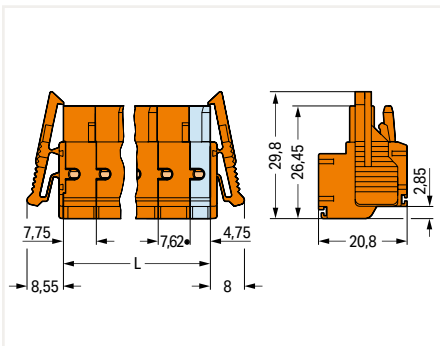
Operating Push-in CAGE CLAMP® is easy, fast and identical to that of CAGE CLAMP®. The screwdriver is fully inserted into the operating slot, holding Push-in CAGE CLAMP® open. After the conductor has been inserted into the clamping unit and the screwdriver been withdrawn, the conductor is clamped safely. Solid and fine-stranded conductors < 0.5 mm² (20 AWG) are terminated and removed using a screwdriver.



Solid conductors ≥ 0.5 mm² (20 AWG), as well as ferruled, fine-stranded conductors can be terminated by simply pushing them into unit. Integrated test ports allow touch contact with current bar via test probes in both horizontal and vertical directions.



L = (pole no. - 2) x pin spacing + 12.5 mm
2- to 3-pole female connectors – one latch only



L = (pole no. - 2) x pin spacing + 12.5 mm
2- to 3-pole female connectors – one latch only

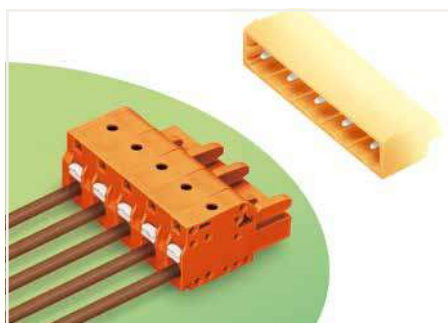
PU = Packaging Unit; SPU = Subpackaging Unit; Dimensions in mm

Other versions (or variants) can be requested from WAGO Sales or configured at <https://configurator.wago.com/>.

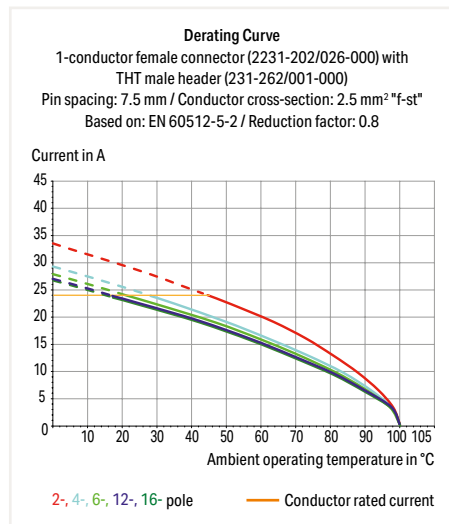
- Gold-plated or partially gold-plated contact surfaces

1-conductor female plug ▶ MCS MIDI Classic ▶ 2231 Series

Pin spacing: 7.62 mm / 0.3 inch ▶ Actuation type: Push-button ▶ Push-in CAGE CLAMP® ▶ Conductor entry direction to mating direction: 0° ▶ Color: orange



- Universal connection for all conductor types
- Easy-to-use design does not require specialty tools
- Ability to wire while mated
- Push-in termination of solid and ferruled conductors
- Integrated test ports for testing parallel to the conductor entry
- Coding option available



Electrical Data

Ratings per	IEC/EN 60664-1		
Overvoltage category	III	III	II
Pollution degree	3	2	2
Rated voltage	500 V	630 V	1000 V
Rated impulse voltage	6 kV	6 kV	6 kV
Rated current	16 A	16 A	16 A
Approbations per	UL 1059		
Use group	B	C	D
Rated voltage	300 V	300 V	300 V
Rated current	15 A	15 A	10 A
Approbations per	UL 1977		
Rated voltage	600 V		
Rated current	15 A		
Approbations per	CSA		
Use group	B	C	D
Rated voltage	300 V	300 V	300 V
Rated current	15 A	15 A	10 A

Connection Data

Connection technology	Push-in CAGE CLAMP®
Strip length	10 ... 11 mm / 0.39 ... 0.43 inch
Solid conductor	0.2 ... 2.5 mm ² / 24 ... 12 AWG
Fine-stranded conductor	0.2 ... 2.5 mm ² / 24 ... 12 AWG
Fine-stranded conductor; with insulated ferrule	0.25 ... 1.5 mm ²
Fine-stranded conductor; with uninsulated ferrule	0.25 ... 2.5 mm ²

Material Data

Material group	I
Insulation material	Polyamide (PA66)
Flammability class per UL94	V0
Clamping spring material	Chrome nickel spring steel (CrNi)
Contact material	Copper alloy
Contact plating	Tin-plated

Environmental Requirements

Limit temperature range	-60 ... +100 °C
-------------------------	-----------------

The MCS – MULTI CONNECTION SYSTEM includes connectors without breaking capacity in accordance with DIN EN 61984. When used as intended, these connectors must not be connected/disconnected when live or under load. The circuit design should ensure header pins, which can be touched, are not live when unmated.

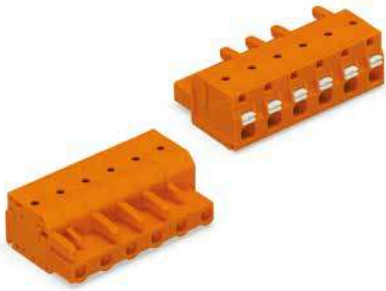
Ferrule	Page 879
Insulation stop	Page 727
Marking	Page 865
Mounting	Page 732
Strain relief	Page 729
Test and measurement	Page 725, 886
Tool	Page 870
Direct marking	Page 734
Cutout dimensions	Page 738
See technical section for further information	
For approvals and corresponding ratings, visit www.wago.com	

1-conductor female plug ▶ MCS MIDI Classic ▶ 2231 Series

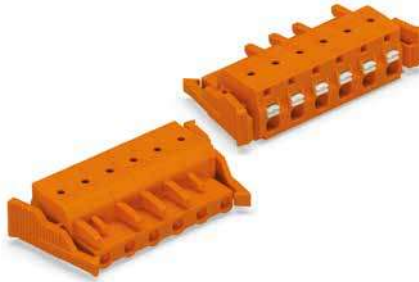
Pin spacing: 7.62 mm / 0.3 inch ▶ Actuation type: Push-button ▶ Push-in CAGE CLAMP® ▶ Conductor entry direction to mating direction: 0° ▶ Color: orange

Locking of plug-in connection: Locking lever

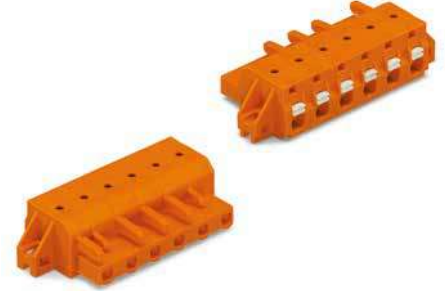
Mounting type: Feed-through mounting; Panel mounting
▶ Mounting type: Mounting flange



2231-706/026-000



2231-706/037-000

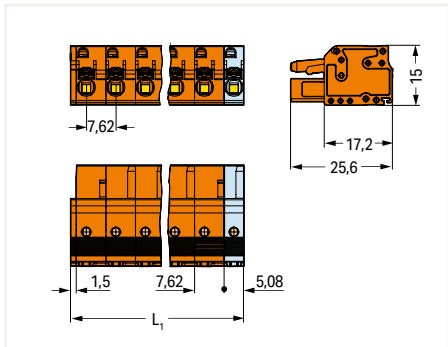


2231-706/031-000

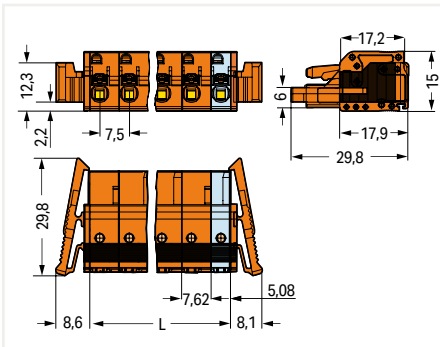
Pole No.	Item No.	PU
2	2231-702/026-000	100
3	2231-703/026-000	100
4	2231-704/026-000	50
5	2231-705/026-000	50
6	2231-706/026-000	50
7	2231-707/026-000	50
8	2231-708/026-000	25
9	2231-709/026-000	25
10	2231-710/026-000	25
11	2231-711/026-000	25
12	2231-712/026-000	25

Pole No.	Item No.	PU
2	2231-702/037-000	50
3	2231-703/037-000	50
4	2231-704/037-000	50
5	2231-705/037-000	50
6	2231-706/037-000	25
7	2231-707/037-000	25
8	2231-708/037-000	25
9	2231-709/037-000	25
10	2231-710/037-000	25
11	2231-711/037-000	10
12	2231-712/037-000	10

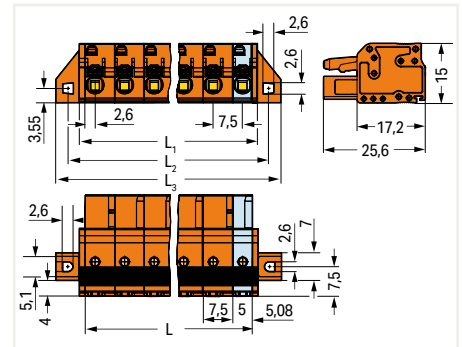
Pole No.	Item No.	PU
2	2231-702/031-000	50
3	2231-703/031-000	50
4	2231-704/031-000	50
5	2231-705/031-000	50
6	2231-706/031-000	25
7	2231-707/031-000	25
8	2231-708/031-000	25
9	2231-709/031-000	25
10	2231-710/031-000	25
11	2231-711/031-000	10
12	2231-712/031-000	10



$L_1 = (\text{pole no.} - 1) \times \text{pin spacing} + 5.08 \text{ mm} + 1.5 \text{ mm}$
2- to 3-pole female connectors – one latch only



$L = (\text{pole no.} - 1) \times \text{pin spacing} + 5.08 \text{ mm}$
2- to 3-pole female connectors – one latch only



$L = (\text{pole no.} - 1) \times \text{pin spacing} + 5.08 \text{ mm}$
 $L_1 = L + 2.8 \text{ mm}$
 $L_2 = L + 8.8 \text{ mm}$
 $L_3 = L + 14.8 \text{ mm}$
2- to 3-pole female connectors – one latch only

PU = Packaging Unit; SPU = Subpackaging Unit; Dimensions in mm

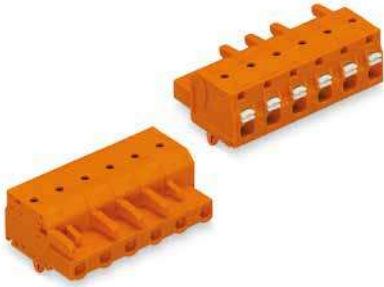
Other versions (or variants) can be requested from WAGO Sales or configured at <https://configurator.wago.com/>.

- Gold-plated or partially gold-plated contact surfaces

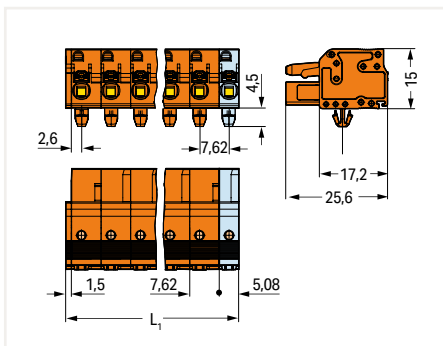
1-conductor female plug ▶ MCS MIDI Classic ▶ 2231 Series

Pin spacing: 7.62 mm / 0.3 inch ▶ Actuation type: Push-button ▶ Push-in CAGE CLAMP® ▶ Conductor entry direction to mating direction: 0° ▶ Color: orange

Mounting type: Panel mounting ▶ Mounting type: Snap-in foot



Pole No.	Item No.	PU
2	2231-702/008-000	100
3	2231-703/008-000	100
4	2231-704/008-000	50
5	2231-705/008-000	50
6	2231-706/008-000	50
7	2231-707/008-000	50
8	2231-708/008-000	25
9	2231-709/008-000	25
10	2231-710/008-000	25
11	2231-711/008-000	25
12	2231-712/008-000	25



$L_1 = (\text{pole no.} - 1) \times \text{pin spacing} + 5.08 \text{ mm} + 1.5 \text{ mm}$
 2- to 3-pole female connectors – one latch only

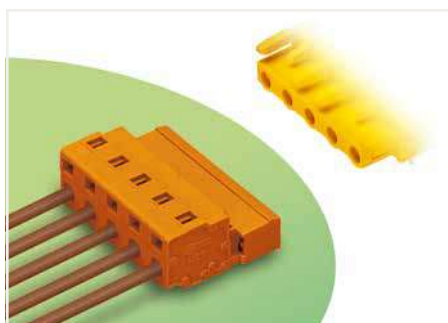
PU = Packaging Unit; SPU = Subpackaging Unit; Dimensions in mm

Other versions (or variants) can be requested from WAGO Sales or configured at <https://configurator.wago.com/>.

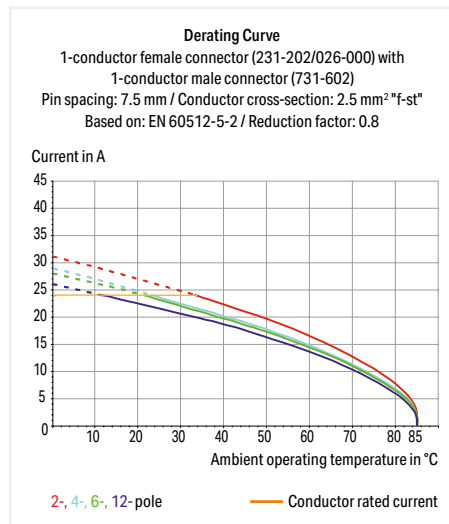
- Gold-plated or partially gold-plated contact surfaces

1-conductor male connector ▶ MCS MIDI Classic ▶ 731 Series

Pin spacing: 7.62 mm / 0.3 inch ▶ Actuation type: Operating tool ▶ CAGE CLAMP® ▶ Conductor entry direction to mating direction: 0° ▶ Color: orange



- Universal connection for all conductor types
- Easy cable pre-assembly and on-unit wiring via vertical and horizontal CAGE CLAMP® actuation
- For wire-to-wire and board-to-wire connections
- Versions available with snap-in mounting feet or flanges for panel or through-panel mounting
- With coding fingers



Electrical Data						
Montageart	Feed-through mounting; Panel mounting			Feed-through mounting		
Befestigungsart	Mounting flange; Snap-in; Snap-in foot			Snap-in		
Ratings per	IEC/EN 60664-1			IEC/EN 60664-1		
Overtoltage category	III	III	II	III	III	II
Pollution degree	3	2	2	3	2	2
Rated voltage	500 V	630 V	1000 V	500 V	630 V	100 V
Rated impulse voltage	6 kV	6 kV	6 kV	6 kV	6 kV	6 kV
Rated current	12 A	12 A	12 A	12 A	12 A	12 A
Approbations per	UL 1059			UL 1059		
Use group	B	C	D	B	C	D
Rated voltage	300 V	-	300 V	300 V	-	300 V
Rated current	15 A	-	10 A	15 A	-	10 A
Approbations per	UL 1977			UL 1977		
Rated voltage	600 V			600 V		
Rated current	15 A			15 A		
Approbations per	CSA			CSA		
Use group	B	C	D	B	C	D
Rated voltage	300 V	-	300 V	300 V	-	300 V
Rated current	15 A	-	10 A	15 A	-	10 A

Connection Data	
Connection technology	CAGE CLAMP®
Strip length	8 ... 9 mm / 0.31 ... 0.35 inch
Solid conductor	0.08 ... 2.5 mm ² / 28 ... 12 AWG
Fine-stranded conductor	0.08 ... 2.5 mm ² / 28 ... 12 AWG
Fine-stranded conductor; with insulated ferrule	0.25 ... 1.5 mm ²
Fine-stranded conductor; with uninsulated ferrule	0.25 ... 2.5 mm ²

Material Data	
Material group	I
Insulation material	Polyamide (PA66)
Flammability class per UL94	V0
Clamping spring material	Chrome nickel spring steel (CrNi)
Contact material	Electrolytic copper (E _{cu})
Contact plating	Tin-plated

Environmental Requirements	
Limit temperature range	-60 ... +100 °C

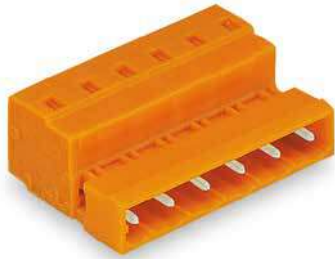
The MCS – MULTI CONNECTION SYSTEM includes connectors without breaking capacity in accordance with DIN EN 61984. When used as intended, these connectors must not be connected/disconnected when live or under load. The circuit design should ensure header pins, which can be touched, are not live when unmated.

Coding	Page 726
Ferrule	Page 879
General accessories	Page 727
Insulation stop	Page 727
Marking	Page 865
Mounting	Page 732, 869
Mounting adapter	Page 733
Strain relief	Page 731
Tool	Page 538, 870
Direct marking	Page 734
See technical section for further information	
For approvals and corresponding ratings, visit www.wago.com	

1-conductor male connector ▶ MCS MIDI Classic ▶ 731 Series

Pin spacing: 7.62 mm / 0.3 inch ▶ Actuation type: Operating tool ▶ CAGE CLAMP® ▶ Conductor entry direction to mating direction: 0° ▶ Color: orange

Mounting type: Feed-through mounting; Panel mounting
▶ Mounting type: Mounting flange



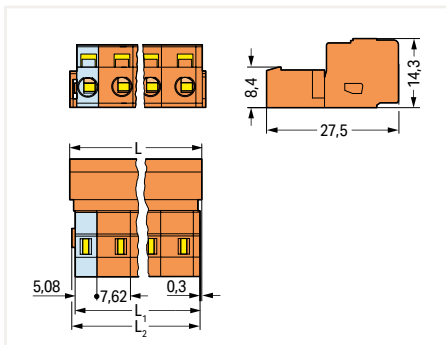
731-636



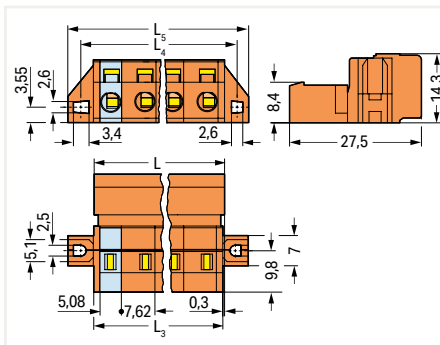
731-636/019-000

Pole No.	Item No.	PU
2	731-632	100
3	731-633	100
4	731-634	50
5	731-635	50
6	731-636	50
7	731-637	50
8	731-638	25
9	731-639	25
10	731-640	25
11	731-641	25
12	731-642	25

Pole No.	Item No.	PU
2	731-632/019-000	50
3	731-633/019-000	50
4	731-634/019-000	50
5	731-635/019-000	50
6	731-636/019-000	25
7	731-637/019-000	25
8	731-638/019-000	25
9	731-639/019-000	25
10	731-640/019-000	25
11	731-641/019-000	10
12	731-642/019-000	10



$L = (\text{pole no.} - 1) \times \text{pin spacing} + 8.2 \text{ mm}$
 $L_1 = L - 1.7 \text{ mm}$
 $L_2 = L - 1.2 \text{ mm}$



$L = (\text{pole no.} - 1) \times \text{pin spacing} + 8.2 \text{ mm}$
 $L_3 = L - 0.2 \text{ mm}$
 $L_4 = L_3 + 5.8 \text{ mm}$
 $L_5 = L_3 + 11.8 \text{ mm}$

PU = Packaging Unit; SPU = Subpackaging Unit; Dimensions in mm

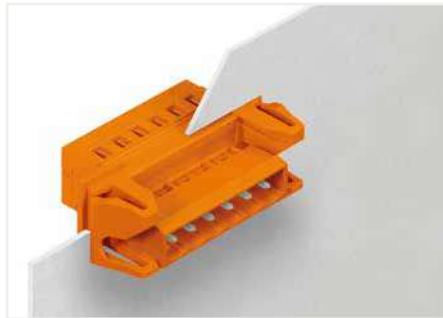
Other versions (or variants) can be requested from WAGO Sales or configured at <https://configurator.wago.com/>.

- Other pole numbers
- Gold-plated or partially gold-plated contact surfaces

1-conductor male connector ▶ MCS MIDI Classic ▶ 731 Series

Pin spacing: 7.62 mm / 0.3 inch ▶ Actuation type: Operating tool ▶ CAGE CLAMP® ▶ Conductor entry direction to mating direction: 0° ▶ Color: orange

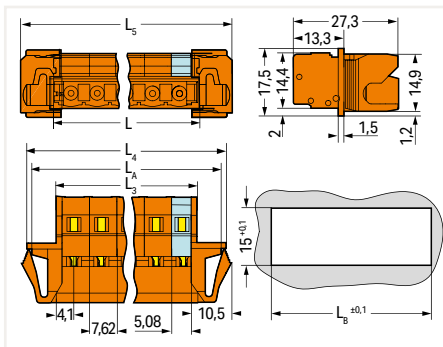
Mounting type: Feed-through mounting ▶ Mounting type: Snap-in



731-636/114-000

Male connector, with snap-in flanges, for feedthrough applications, for 0.5 ... 2.5 mm plate thickness

Pole No.	Item No.	PU
2	731-632/114-000	50
3	731-633/114-000	50
4	731-634/114-000	50
5	731-635/114-000	25
6	731-636/114-000	25
7	731-637/114-000	25
8	731-638/114-000	25
9	731-639/114-000	25
10	731-640/114-000	10
11	731-641/114-000	10
12	731-642/114-000	10



$L = (\text{pole no.} - 1) \times \text{pin spacing} + 8.2 \text{ mm}$

$L_3 = L - 0.2 \text{ mm}$

$L_4 = L_3 + 15.2 \text{ mm}$

$L_5 = L_3 + 18 \text{ mm}$

$L_A = L_3 + 12.6 \text{ mm}$

$L_B = L_3 + 13.2 \text{ mm}$

PU = Packaging Unit; SPU = Subpackaging Unit; Dimensions in mm

Other versions (or variants) can be requested from WAGO Sales or configured at <https://configurator.wago.com/>.

- Other pole numbers
- Gold-plated or partially gold-plated contact surfaces

1-conductor male connector ▶ MCS MIDI Classic ▶ 731 Series

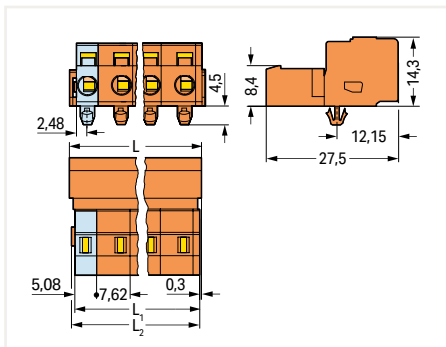
Pin spacing: 7.62 mm / 0.3 inch ▶ Actuation type: Operating tool ▶ CAGE CLAMP® ▶ Conductor entry direction to mating direction: 0° ▶ Color: orange

Mounting type: Panel mounting ▶ Mounting type: Snap-in foot



731-636/018-000

Pole No.	Item No.	PU
2	731-632/018-000	100
3	731-633/018-000	100
4	731-634/018-000	50
5	731-635/018-000	50
6	731-636/018-000	50
7	731-637/018-000	50
8	731-638/018-000	25
9	731-639/018-000	25
10	731-640/018-000	25
11	731-641/018-000	25
12	731-642/018-000	25



$L = (\text{pole no.} - 1) \times \text{pin spacing} + 8.2 \text{ mm}$

$L_1 = L - 1.7 \text{ mm}$

$L_2 = L - 1.2 \text{ mm}$

PU = Packaging Unit; SPU = Subpackaging Unit; Dimensions in mm

Other versions (or variants) can be requested from WAGO Sales or configured at <https://configurator.wago.com/>.

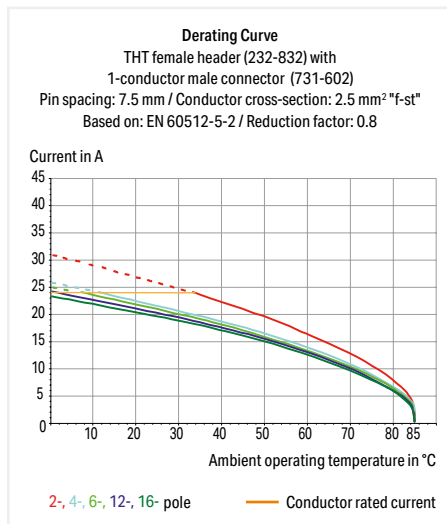
- Other pole numbers
- Gold-plated or partially gold-plated contact surfaces

THT female header ▶ MCS MIDI Classic ▶ 232 Series

Pin spacing: 7.62 mm / 0.3 inch ▶ Solder pin dimensions: 0.6 x 1 mm ▶ Color: orange



- Horizontal or vertical PCB mounting via straight or angled solder pins
- For board-to-board and board-to-wire connections
- Touch-proof PCB outputs
- Easy-to-identify PCB inputs and outputs
- With coding fingers



Electrical Data

Ratings per	IEC/EN 60664-1		
Overvoltage category	III	III	II
Pollution degree	3	2	2
Rated voltage	500 V	630 V	1000 V
Rated impulse voltage	6 kV	6 kV	6 kV
Rated current	12 A	12 A	12 A
Approbations per	UL 1059		
Use group	B	C	D
Rated voltage	300 V	-	300 V
Rated current	15 A	-	10 A
Approbations per	UL 1977		
Rated voltage	600 V		
Rated current	15 A		
Approbations per	CSA		
Use group	B	C	D
Rated voltage	300 V	-	300 V
Rated current	15 A	-	10 A

Material Data

Material group	I
Insulation material	Polyamide (PA66)
Flammability class per UL94	V0
Contact material	Copper alloy
Contact plating	Tin-plated

Mechanical Data

Solder pin arrangement	Over the entire female connector (in-line)
Solder pin length	5 mm
Solder pin dimensions	0.6 x 1 mm
Drilled hole diameter with tolerance	1.3 ^(±0.1) mm

Environmental Requirements

Limit temperature range	-60 ... +85 °C
-------------------------	----------------

The MCS – MULTI CONNECTION SYSTEM includes connectors without breaking capacity in accordance with DIN EN 61984. When used as intended, these connectors must not be connected/disconnected when live or under load. The circuit design should ensure header pins, which can be touched, are not live when unmated.

Mounting Page 869

Test and measurement Page 725, 886

Cutout dimensions Page 738

See technical section for further information

For approvals and corresponding ratings, visit www.wago.com

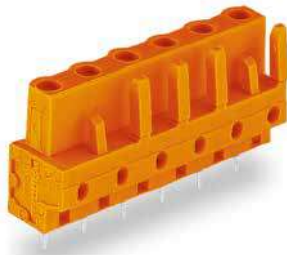
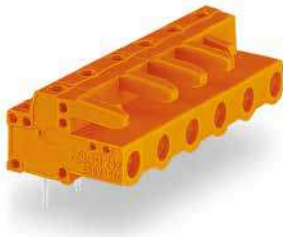
THT female header ▶ MCS MIDI Classic ▶ 232 Series

Pin spacing: 7.62 mm / 0.3 inch ▶ Solder pin dimensions: 0.6 x 1 mm ▶ Color: orange

Mating direction to the PCB: 0°

Mating direction to the PCB: 90°

Locking of plug-in connection: Locking lever ▶ Mating direction to the PCB: 0°

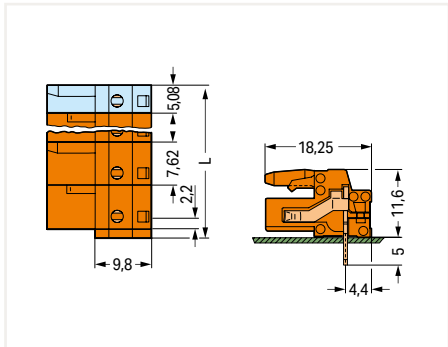


232-866/039-000

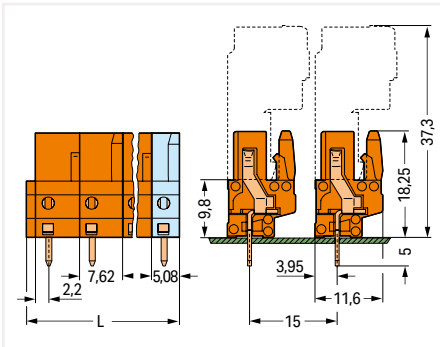
Pole No.	Item No.	PU
2	232-862	100
3	232-863	100
4	232-864	50
5	232-865	50
6	232-866	50
7	232-867	50
8	232-868	25
9	232-869	25
10	232-870	25
11	232-871	25
12	232-872	25

Pole No.	Item No.	PU
2	232-762	100
3	232-763	100
4	232-764	50
5	232-765	50
6	232-766	50
7	232-767	50
8	232-768	25
9	232-769	25
10	232-770	25
11	232-771	25
12	232-772	25

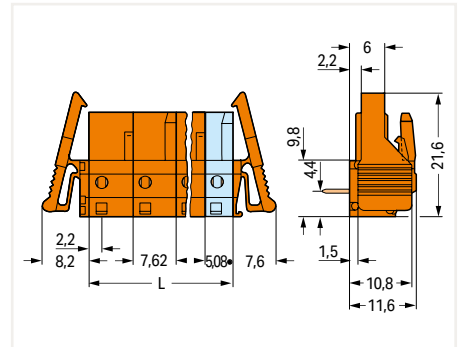
Pole No.	Item No.	PU
2	232-862/039-000	50
3	232-863/039-000	50
4	232-864/039-000	50
5	232-865/039-000	50
6	232-866/039-000	25
7	232-867/039-000	25
8	232-868/039-000	25
9	232-869/039-000	25
10	232-870/039-000	25
11	232-871/039-000	10
12	232-872/039-000	10



L = (pole no. - 1) x pin spacing + 5.08 mm + 1.5 mm
 Distance to first solder pin: 2.2 mm
 2- to 3-pole female connectors – one latch only



L = (pole no. - 1) x pin spacing + 5.08 mm + 1.5 mm
 2- to 3-pole female connectors – one latch only



L = (pole no. - 1) x pin spacing + 5.08 mm
 Distance to first solder pin: 2.2 mm
 2- to 3-pole female connectors – one latch only

PU = Packaging Unit; SPU = Subpackaging Unit; Dimensions in mm

Other versions (or variants) can be requested from WAGO Sales or configured at <https://configurator.wago.com/>.

- Other pole numbers
- 3.8 mm pin projection for male headers with straight solder pins
- Gold-plated or partially gold-plated contact surfaces

THT female header ▶ MCS MIDI Classic ▶ 232 Series

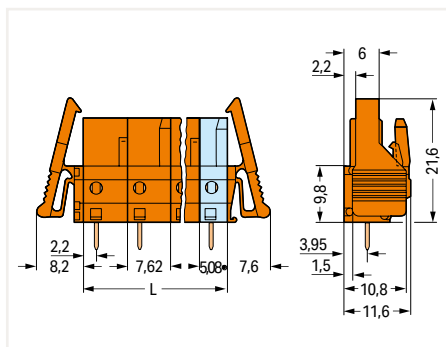
Pin spacing: 7.62 mm / 0.3 inch ▶ Solder pin dimensions: 0.6 x 1 mm ▶ Color: orange

Locking of plug-in connection: Locking lever ▶ Mating direction to the PCB: 90°



232-766/039-000

Pole No.	Item No.	PU
2	232-762/039-000	50
3	232-763/039-000	50
4	232-764/039-000	50
5	232-765/039-000	50
6	232-766/039-000	25
7	232-767/039-000	25
8	232-768/039-000	25
9	232-769/039-000	25
10	232-770/039-000	25
11	232-771/039-000	10
12	232-772/039-000	10



L = (pole no. - 1) x pin spacing + 5.08 mm
 2- to 3-pole female connectors – one latch only

PU = Packaging Unit; SPU = Subpackaging Unit; Dimensions in mm

Other versions (or variants) can be requested from WAGO Sales or configured at <https://configurator.wago.com/>.

- Other pole numbers
- 3.8 mm pin projection for male headers with straight solder pins
- Gold-plated or partially gold-plated contact surfaces

THT female header ▶ MCS MIDI Classic ▶ 232 Series

Pin spacing: 7.62 mm / 0.3 inch ▶ Solder pin dimensions: 0.6 x 1 mm ▶ Color: orange

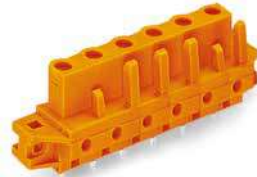
Mounting type: Feed-through mounting; Panel mounting ▶ Mounting type: Mounting flange

Mating direction to the PCB: 0°

Mating direction to the PCB: 90°



232-866/031-000



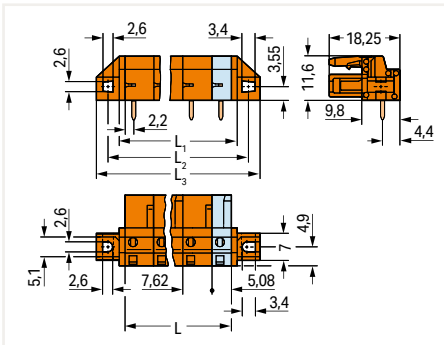
232-766/031-000



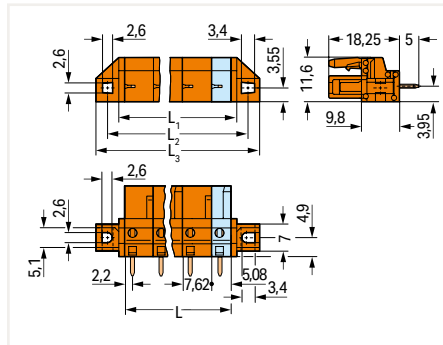
The innovative flange design provides standard panel mounting options or various through-panel mounting configurations. Depending on the type of application and flange, female headers can be used either for through-panel or flush mounted applications.

Pole No.	Item No.	PU
2	232-862/031-000	50
3	232-863/031-000	50
4	232-864/031-000	50
5	232-865/031-000	50
6	232-866/031-000	25
7	232-867/031-000	25
8	232-868/031-000	25
9	232-869/031-000	25
10	232-870/031-000	25
11	232-871/031-000	10
12	232-872/031-000	10

Pole No.	Item No.	PU
2	232-762/031-000	50
3	232-763/031-000	50
4	232-764/031-000	50
5	232-765/031-000	50
6	232-766/031-000	25
7	232-767/031-000	25
8	232-768/031-000	25
9	232-769/031-000	25
10	232-770/031-000	25
11	232-771/031-000	10
12	232-772/031-000	10



L = (pole no. - 1) x pin spacing + 5.08 mm
 L₁ = L + 3 mm
 L₂ = L + 8.8 mm
 L₃ = L + 14.8 mm
 2- to 3-pole female connectors – one latch only



L = (pole no. - 1) x pin spacing + 5.08 mm
 L₁ = L + 3 mm
 L₂ = L + 8.8 mm
 L₃ = L + 14.8 mm
 2- to 3-pole female connectors – one latch only

PU = Packaging Unit; SPU = Subpackaging Unit; Dimensions in mm

Other versions (or variants) can be requested from WAGO Sales or configured at <https://configurator.wago.com/>.

- Other pole numbers
- 3.8 mm pin projection for male headers with straight solder pins
- Gold-plated or partially gold-plated contact surfaces

THT female header ▶ MCS MIDI Classic ▶ 232 Series

Pin spacing: 7.62 mm / 0.3 inch ▶ Solder pin dimensions: 0.6 x 1 mm ▶ Color: orange

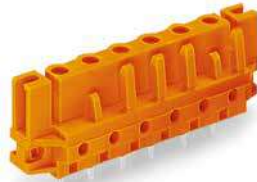
Mounting type: Flush feed-through mounting; Panel mounting ▶ Mounting type: Mounting flange

Mating direction to the PCB: 0°

Mating direction to the PCB: 90°



232-866/047-000



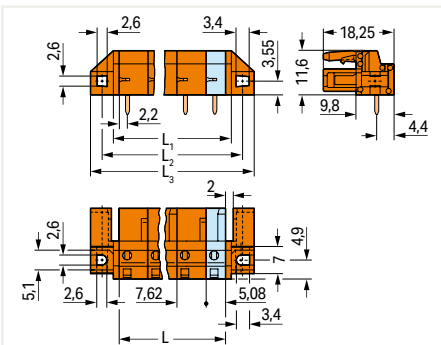
232-766/047-000



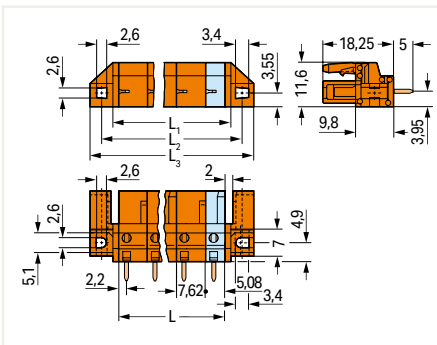
The innovative flange design provides standard panel mounting options or various through-panel mounting configurations. Depending on the type of application and flange, female headers can be used either for through-panel or flush mounted applications.

Pole No.	Item No.	PU
2	232-862/047-000	50
3	232-863/047-000	50
4	232-864/047-000	50
5	232-865/047-000	50
6	232-866/047-000	25
7	232-867/047-000	25
8	232-868/047-000	25
9	232-869/047-000	25
10	232-870/047-000	25
11	232-871/047-000	10
12	232-872/047-000	10

Pole No.	Item No.	PU
2	232-762/047-000	50
3	232-763/047-000	50
4	232-764/047-000	50
5	232-765/047-000	50
6	232-766/047-000	25
7	232-767/047-000	25
8	232-768/047-000	25
9	232-769/047-000	25
10	232-770/047-000	25
11	232-771/047-000	10
12	232-772/047-000	10



$L = (\text{pole no.} - 1) \times \text{pin spacing} + 5.08 \text{ mm}$
 $L_1 = L + 3 \text{ mm}$
 $L_2 = L + 8.8 \text{ mm}$
 $L_3 = L + 14.8 \text{ mm}$
 2- to 3-pole female connectors – one latch only



$L = (\text{pole no.} - 1) \times \text{pin spacing} + 5.08 \text{ mm}$
 $L_1 = L + 3 \text{ mm}$
 $L_2 = L + 8.8 \text{ mm}$
 $L_3 = L + 14.8 \text{ mm}$
 2- to 3-pole female connectors – one latch only

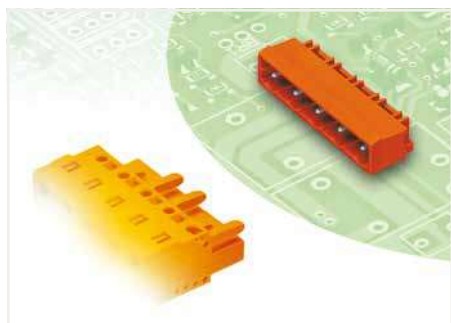
PU = Packaging Unit; SPU = Subpackaging Unit; Dimensions in mm

Other versions (or variants) can be requested from WAGO Sales or configured at <https://configurator.wago.com/>.

- Other pole numbers
- 3.8 mm pin projection for male headers with straight solder pins
- Gold-plated or partially gold-plated contact surfaces

THT male header ▶ MCS MIDI Classic ▶ 231 Series

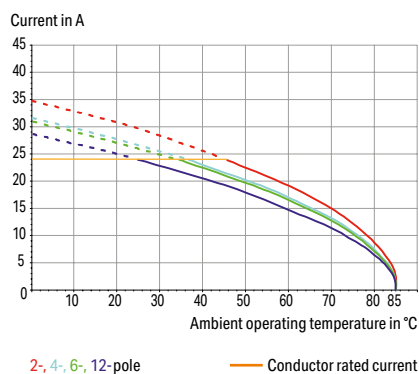
Pin spacing: 7.62 mm / 0.3 inch ▶ Solder pin dimensions: 1 x 1 mm ▶ Color: orange



- Horizontal or vertical PCB mounting via straight or angled solder pins
- Pin cross-section: 1 x 1 mm
- With coding fingers

Derating Curve

1-conductor female connector (231-202/026-000) with
THT male header (231-862/001-000)
Pin spacing: 7.5 mm / Conductor cross-section: 2.5 mm² "f-st"
Based on: EN 60512-5-2 / Reduction factor: 0.8



Electrical Data

Ratings per	IEC/EN 60664-1		
Overvoltage category	III	III	II
Pollution degree	3	2	2
Rated voltage	500 V	630 V	1000 V
Rated impulse voltage	6 kV	6 kV	6 kV
Rated current	12 A	12 A	12 A
Approbations per	UL 1059		
Use group	B	C	D
Rated voltage	300 V	-	300 V
Rated current	10 A	-	10 A
Approbations per	UL 1977		
Rated voltage	600 V		
Rated current	10 A		
Approbations per	CSA		
Use group	B	C	D
Rated voltage	300 V	-	300 V
Rated current	10 A	-	10 A

Material Data

Material group	I
Insulation material	Polyamide (PA66)
Flammability class per UL94	V0
Contact material	Electrolytic copper (E _{cu})
Contact plating	Tin-plated

Mechanical Data

Solder pin arrangement	Over the entire male connector (in-line)
Solder pin dimensions	1 x 1 mm
Drilled hole diameter with tolerance	1.4 ^(+0.1) mm

Environmental Requirements

Limit temperature range	-60 ... +100 °C
-------------------------	-----------------

The MCS – MULTI CONNECTION SYSTEM includes connectors without breaking capacity in accordance with DIN EN 61984. When used as intended, these connectors must not be connected/disconnected when live or under load. The circuit design should ensure header pins, which can be touched, are not live when unmated.

Coding Page 726

See technical section for further information

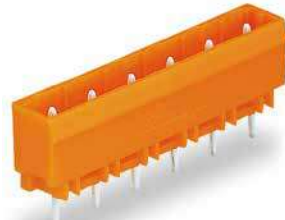
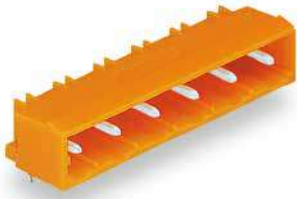
For approvals and corresponding ratings, visit www.wago.com

THT male header ▶ MCS MIDI Classic ▶ 231 Series

Pin spacing: 7.62 mm / 0.3 inch ▶ Solder pin dimensions: 1 x 1 mm ▶ Color: orange

Mating direction to the PCB: 0° ▶ Solder pin length: 3.8 mm

Mating direction to the PCB: 90° ▶ Solder pin length: 5 mm

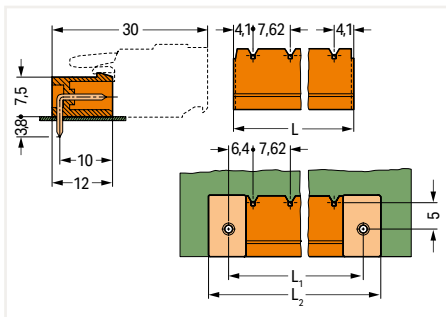


231-936/001-000

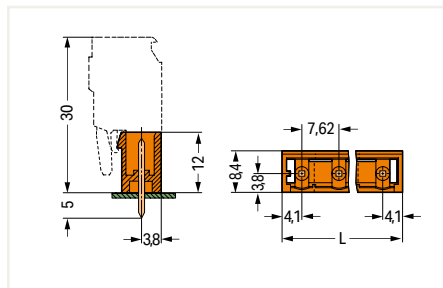
231-736/001-000

Pole No.	Item No.	PU
2	231-932/001-000	100
3	231-933/001-000	200
4	231-934/001-000	100
5	231-935/001-000	100
6	231-936/001-000	50
7	231-937/001-000	50
8	231-938/001-000	50
9	231-939/001-000	50
10	231-940/001-000	50
11	231-941/001-000	50
12	231-942/001-000	50

Pole No.	Item No.	PU
2	231-732/001-000	200
3	231-733/001-000	200
4	231-734/001-000	100
5	231-735/001-000	100
6	231-736/001-000	100
7	231-737/001-000	50
8	231-738/001-000	50
9	231-739/001-000	50
10	231-740/001-000	50
11	231-741/001-000	50
12	231-742/001-000	50



$L = (\text{pole no.} - 1) \times \text{pin spacing} + 8.2 \text{ mm}$
 $L_1 = L + 5 \text{ mm}$
 $L_2 = L_1 + 7.4 \text{ mm}$



$L = (\text{pole no.} - 1) \times \text{pin spacing} + 8.2 \text{ mm}$

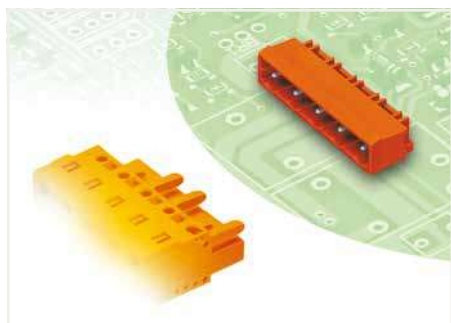
PU = Packaging Unit; SPU = Subpackaging Unit; Dimensions in mm

Other versions (or variants) can be requested from WAGO Sales or configured at <https://configurator.wago.com/>.

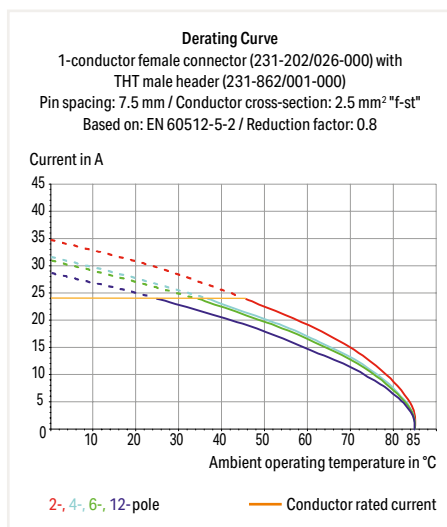
- Other pole numbers
- 3.8 mm pin projection for male headers with straight solder pins
- Gold-plated or partially gold-plated contact surfaces

THT male header ▶ MCS MIDI Classic ▶ 231 Series

Pin spacing: 7.62 mm / 0.3 inch ▶ Solder pin dimensions: 1.2 x 1.2 mm ▶ Color: orange



- Horizontal or vertical PCB mounting via straight or angled solder pins
- 1.2 x 1.2 mm solder pins allow nominal current up to 16 A, enhancing stability of shorter headers
- With coding fingers

**Electrical Data**

Ratings per	IEC/EN 60664-1		
Overvoltage category	III	III	II
Pollution degree	3	2	2
Rated voltage	500 V	630 V	1000 V
Rated impulse voltage	6 kV	6 kV	6 kV
Rated current	16 A	16 A	16 A
Approbations per	UL 1059		
Use group	B	C	D
Rated voltage	300 V	-	300 V
Rated current	15 A	-	10 A
Approbations per	UL 1977		
Rated voltage	600 V		
Rated current	15 A		
Approbations per	CSA		
Use group	B	C	D
Rated voltage	300 V	-	300 V
Rated current	15 A	-	10 A

Material Data

Material group	I
Insulation material	Polyamide (PA66)
Flammability class per UL94	V0
Contact material	Electrolytic copper (E _{cu})
Contact plating	Tin-plated

Mechanical Data

Solder pin arrangement	Over the entire male connector (in-line)
Solder pin dimensions	1.2 x 1.2 mm
Drilled hole diameter with tolerance	1.7 ^(+0.1) mm

Environmental Requirements

Limit temperature range	-60 ... +100 °C
-------------------------	-----------------

The MCS – MULTI CONNECTION SYSTEM includes connectors without breaking capacity in accordance with DIN EN 61984. When used as intended, these connectors must not be connected/disconnected when live or under load. The circuit design should ensure header pins, which can be touched, are not live when unmated.

Coding Page 726

See technical section for further information

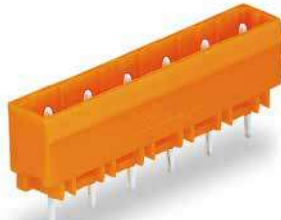
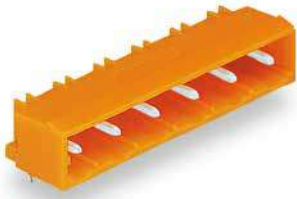
For approvals and corresponding ratings, visit www.wago.com

THT male header ▶ MCS MIDI Classic ▶ 231 Series

Pin spacing: 7.62 mm / 0.3 inch ▶ Solder pin dimensions: 1.2 x 1.2 mm ▶ Color: orange

Mating direction to the PCB: 0° ▶ Solder pin length: 3.8 mm

Mating direction to the PCB: 90° ▶ Solder pin length: 5 mm

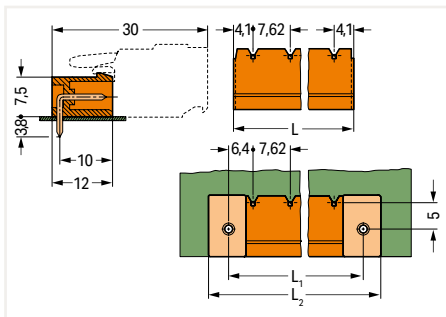


231-966/001-000

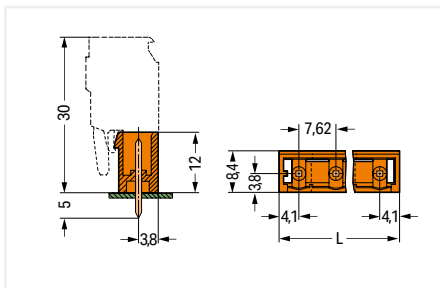
231-766/001-000

Pole No.	Item No.	PU
2	231-962/001-000	200
3	231-963/001-000	200
4	231-964/001-000	100
5	231-965/001-000	100
6	231-966/001-000	100
7	231-967/001-000	50
8	231-968/001-000	50
9	231-969/001-000	50
10	231-970/001-000	50
11	231-971/001-000	50
12	231-972/001-000	50

Pole No.	Item No.	PU
2	231-762/001-000	200
3	231-763/001-000	200
4	231-764/001-000	100
5	231-765/001-000	100
6	231-766/001-000	100
7	231-767/001-000	50
8	231-768/001-000	50
9	231-769/001-000	50
10	231-770/001-000	50
11	231-771/001-000	50
12	231-772/001-000	50



$L = (\text{pole no.} - 1) \times \text{pin spacing} + 8.2 \text{ mm}$
 $L_1 = L + 5 \text{ mm}$
 $L_2 = L_1 + 7.4 \text{ mm}$



$L = (\text{pole no.} - 1) \times \text{pin spacing} + 8.2 \text{ mm}$

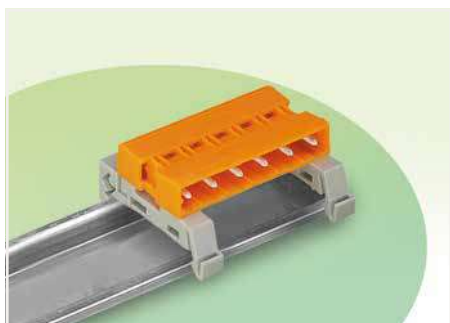
PU = Packaging Unit; SPU = Subpackaging Unit; Dimensions in mm

Other versions (or variants) can be requested from WAGO Sales or configured at <https://configurator.wago.com/>.

- Other pole numbers
- 3.8 mm pin projection for male headers with straight solder pins
- Gold-plated or partially gold-plated contact surfaces

Double pin header ▶ MCS MIDI Classic ▶ 232 Series

Pin spacing: 7.62 mm / 0.3 inch ▶ Mounting type: DIN-35 rail ▶ Color: orange



- Allow MCS Female Connectors fitted with wire harness or cable assembly to be plugged together
- Adapter for DIN-35 rail mounting
- Coding via coding keys on both sides

Electrical Data

Ratings per	IEC/EN 60664-1		
Overvoltage category	III	III	II
Pollution degree	3	2	2
Rated voltage	500 V	630 V	1000 V
Rated impulse voltage	6 kV	6 kV	6 kV
Rated current	12 A	12 A	12 A

Approbations per	UL 1059		
Use group	B	C	D
Rated voltage	300 V	-	300 V
Rated current	15 A	-	10 A

Approbations per	UL 1977		
Rated voltage	600 V		
Rated current	15 A		

Approbations per	CSA		
Use group	B	C	D
Rated voltage	300 V	-	300 V
Rated current	15 A	-	10 A

Material Data

Material group	I
Insulation material	Polyamide (PA66)
Flammability class per UL94	V0
Contact material	Electrolytic copper (E _{cu})
Contact plating	Tin-plated

Environmental Requirements

Limit temperature range	-60 ... +100 °C
-------------------------	-----------------

The MCS – MULTI CONNECTION SYSTEM includes connectors without breaking capacity in accordance with DIN EN 61984. When used as intended, these connectors must not be connected/disconnected when live or under load. The circuit design should ensure header pins, which can be touched, are not live when unmated.

Coding Page 726

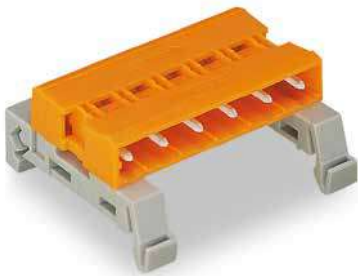
DIN-rail Page 868

See technical section for further information

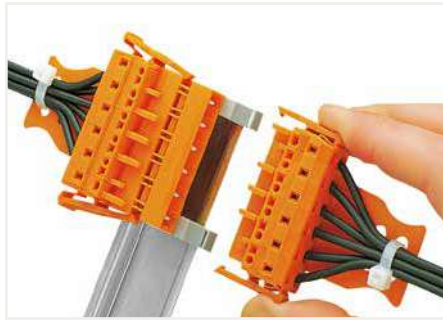
For approvals and corresponding ratings, visit www.wago.com

Double pin header ▶ MCS MIDI Classic ▶ 232 Series

Pin spacing: 7.62 mm / 0.3 inch ▶ Mounting type: DIN-35 rail ▶ Color: orange

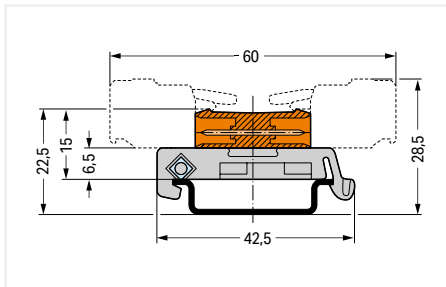


232-586/007-000



Female connectors with locking levers

Pole No.	Item No.	PU
2	232-582/007-000	50
3	232-583/007-000	50
4	232-584/007-000	25
5	232-585/007-000	25
6	232-586/007-000	25
7	232-587/007-000	10
8	232-588/007-000	10
9	232-589/007-000	10
10	232-590/007-000	10
11	232-591/007-000	10
12	232-592/007-000	10



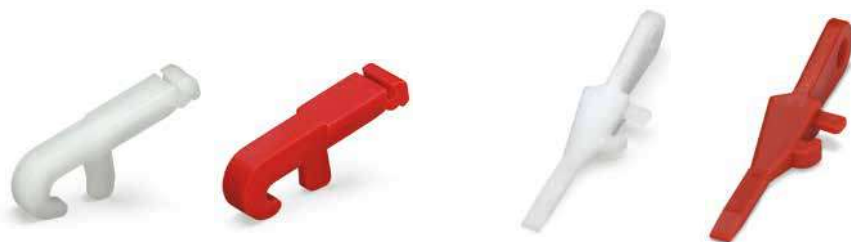
Total length = (pole no. - 1) x pin spacing + 8.2 mm

PU = Packaging Unit; SPU = Subpackaging Unit; Dimensions in mm

Other versions (or variants) can be requested from WAGO Sales or configured at <https://configurator.wago.com/>.

- Other pole numbers

Operating Tools MCS MIDI



Operating lever; for male and female connectors equipped with CAGE CLAMP® connection; 5/5.08 mm and 7.5/7.62 mm pin spacing

Color	Item No.	PU (SPU)
○ natural	231-131	100 (25)
● rot	231-291	100 (25)

Operating tool; for male and female connectors equipped with CAGE CLAMP® connection; 5/5.08 mm and 7.5/7.62 mm pin spacing

Color	Item No.	PU (SPU)
○ natural	231-159	100 (25)
● rot	231-231	100 (25)

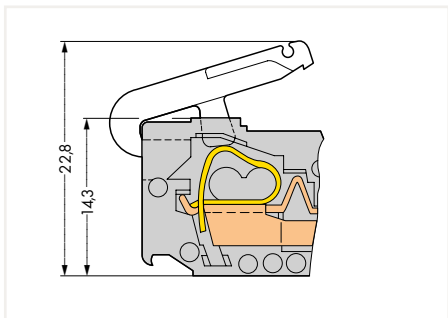


Inserting a conductor via operating lever.

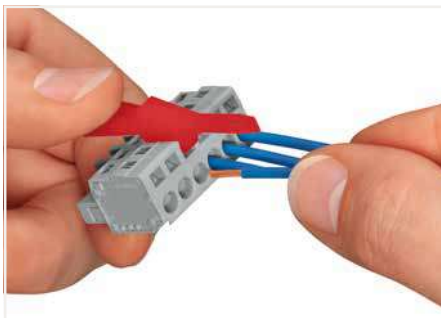


Conductor termination parallel to CAGE CLAMP® actuation

9



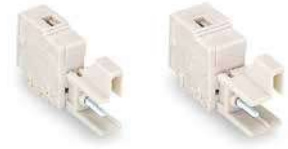
Operating levers are not suitable for panel-mount, angled female connectors.



Conductor termination perpendicular to CAGE CLAMP® actuation

Operating Tools and Test Plug Adapters

MCS MIDI



Multipole operating tool; insulated; operation parallel to conductor entry; suitable for male and female connectors with CAGE CLAMP®; 5/5.08 mm pin spacing

	Item No.	PU (SPU)
1-pole	209-130	100 (1)
2-pole	280-432	100 (1)
3-pole	280-433	100 (1)
4-pole	280-434	40 (1)
5-pole	280-435	40 (1)
6-pole	280-436	40 (1)
7-pole	280-437	30 (1)
8-pole	280-438	30 (1)
9-pole	280-439	30 (1)
10-pole	280-440	30 (1)

Operating tool; insulated; operation perpendicular to conductor entry; suitable for male and female connectors with CAGE CLAMP®; 5/5.08 mm pin spacing

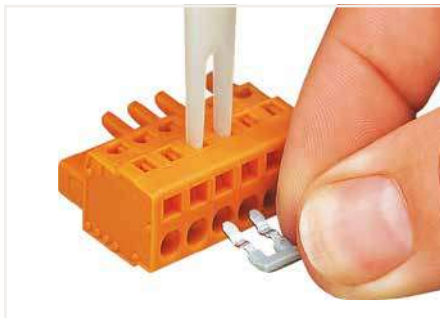
	Item No.	PU (SPU)
2-pole	209-132	40 (1)

Test plug adapter; for female connectors; light gray

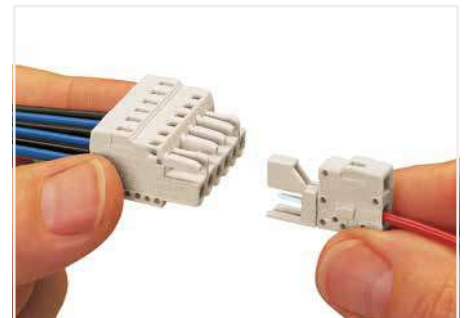
Pin Spacing	Item No.	PU
5/5.08 mm	231-661	100
7.5/7.62 mm	231-662	100



Inserting male or female connectors with long contact pins into 280 Series Rail-Mount Terminal Blocks via multipole operating tool (max. 10-pole for field assembly). Using CAGE CLAMP®-equipped male and female connectors (5/5.08 mm pin spacing), this operating tool allows up to ten CAGE CLAMP® units to be opened simultaneously, e.g., when inserting 231-90x Comb-Style Jumper Bars. Wiring male or female connectors should be performed in a suitable mount.



Operating tool for 231-90x Comb-Style Jumper Bars



Test plug adapter with CAGE CLAMP® connection

Electrical Data

Ratings per	IEC/EN 60664-1
Overvoltage category	III
Pollution degree	2
Rated voltage	320 V
Rated surge voltage	4 kV
Rated current	12 A

Connection Data

Connection technology	CAGE CLAMP®
Strip length	8 ... 9 mm / 0.33 inch
Solid conductor	0.08 ... 2.5 mm ² / 28 ... 12 AWG
Fine-stranded conductor	0.08 ... 2.5 mm ² / 28 ... 12 AWG

PU = Packaging Unit; SPU = Subpackaging Unit; Dimensions in mm

Coding Keys MCS MIDI



Coding key; for male headers

Color	Item No.	PU (SPU)
○ light gray	231-500	200 (100)

Coding key; for male headers;
5/5.08 mm pin spacing

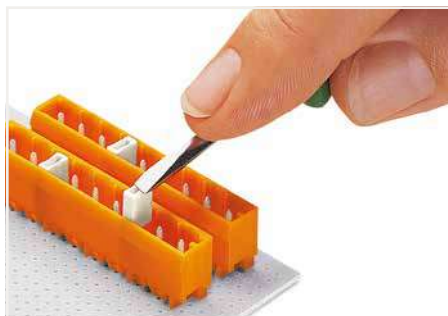
Color	Item No.	PU
○ light gray	231-129	100

Coding pin; for male headers for double-deck assembly; snaps into lower level

Color	Item No.	PU
○ light gray	231-160	100

Coding key; for male headers;
7.5/7.62 mm pin spacing

Color	Item No.	PU
○ light gray	231-130	100



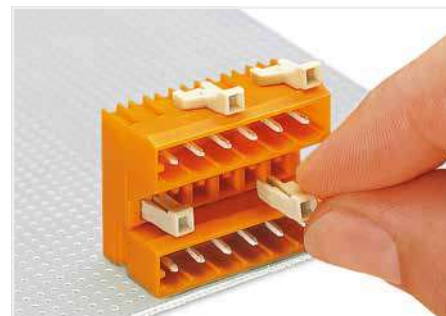
Inserting separators for group formation directly into MCS MIDI Classic Male Headers.

Group formation using separators means that pole count is reduced by at least one pole. Female connectors with integrated end plates and 5/5.08 mm pin spacing are available for group formation without loss of poles. Group formation without loss of poles is possible using standard female connectors (7.5/7.62 mm pin spacing) without separators.



Snap-on coding key for male headers with solder pins and CAGE CLAMP®-equipped male connectors.

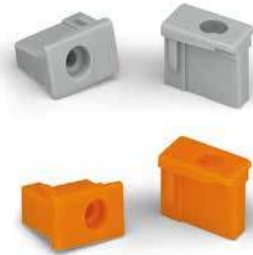
The last pole of male and female connectors with 7.5 mm pin spacing has a width of 5 mm; for 7.62 mm pin spacing, the pole width is 5.08 mm. Always use a 231-129 Coding Key for coding this pole.



Coding a THT double-deck male header – lower level.

9

Lockout Caps; Insulation Stops and Locking Devices MCS MIDI



Lockout caps; for male and female connectors equipped with CAGE CLAMP® connection

Color	Item No.	PU (SPU)
○ gray	231-668	500 (100)
● orange	231-669	500 (100)

Insulation stop; for male and female connectors equipped with CAGE CLAMP® or Push-in CAGE CLAMP® connection; 5/5.08 mm pin spacing

Color	Conductor Size	Item No.	PU
white	0.08 ... 0.2 mm ² "s"	231-670	200
	0.08 ... 0.14 mm ² "f-st"		
light gray	0.25 ... 0.5 mm ²	231-671	200
dark gray	0.27 ... 1 mm ²	231-672	200

Locking devices; for angled THT male headers with solder pins

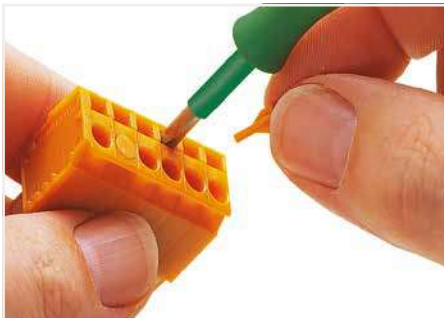
Color	Item No.	PU
○ gray	231-193	100
● orange	231-393	100

7.5/7.62 mm pin spacing

Color	Conductor Size	Item No.	PU
white	0.08 ... 0.2 mm ² "e"	231-673	200
	0.08 ... 0.14 mm ² "f-st"		
light gray	0.25 ... 0.5 mm ²	231-674	200
dark gray	0.27 ... 1 mm ²	231-675	200

Screws for locking devices

Type	Item No.	PU
Screw with nut		
M2 x 12 mm	231-195	100
Self-tapping screw; 1.8 mm Ø mounting hole		
B 2.2 x 13 mm	231-194	100



Sealing unnecessary clamping points in CAGE CLAMP®-equipped male and female connectors (e.g., when doubling the pin spacing to meet clearance and creepage distance requirements, or when higher rated voltage is required). Lockout pins are not suitable for panel-mount, angled female connectors.



The wiring of programmable logic controllers and micro-processor-operated control circuits often relies on very small, fine-stranded conductors. These conductors are highly flexible and deform when pushed against the conductor stop in terminal blocks. As a result, the conductor insulation – not the copper conductor – may be clamped, causing intermittent contact or no contact at all. Common to all terminal block types currently offered, this problem creates unnecessary downtime for troubleshooting.

Insulation stops for connectors reliably ensure proper termination. Insulation stops automatically bundle the cores of fine-stranded conductors when inserted into the clamping unit, preventing splaying. This also limits the conductor entry to a defined cross sectional area – ensuring the actual conductor, not the insulation, will enter the clamping unit

Insulation stops are available as dividable 5-pole strips for MCS MIDI Male and Female Connectors. Insulation stop usage will not affect the conductor strip lengths for the aforementioned connectors.

Insulation stops are not suitable for panel-mount female connectors.



Locking devices enhance connection reliability between male headers with angled solder pins and the PCB. This substantially reduces mechanical stress on both solder pins and joints, particularly when dealing with small lengths and frequent mating cycles.

Strain Relief Plate; Factory Assembled; for Male and Female Connectors with CAGE CLAMP® Connection MCS MIDI

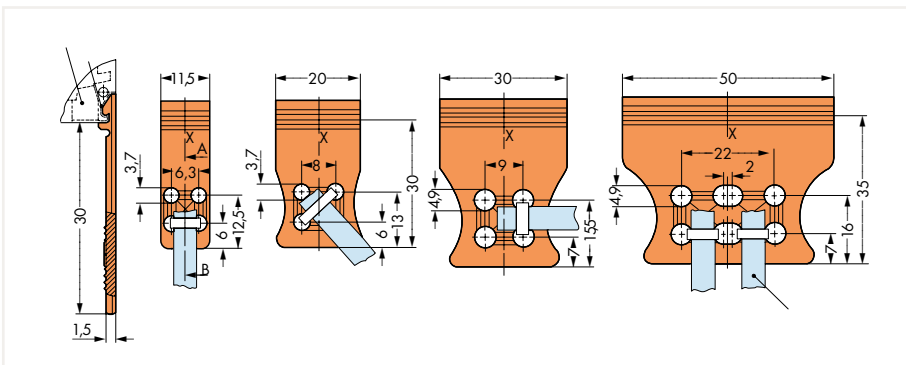


Pin spacing 5/5.08 mm; orange

Pole No.	Width	Item No. Suffix*
2 ... 3	11.5 mm	.../032-000
4 ... 5	20 mm	.../033-000
6 ... 9	30 mm	.../034-000
10 ... 24	50 mm	.../035-000

Pin spacing 7.5/7.62 mm; gray

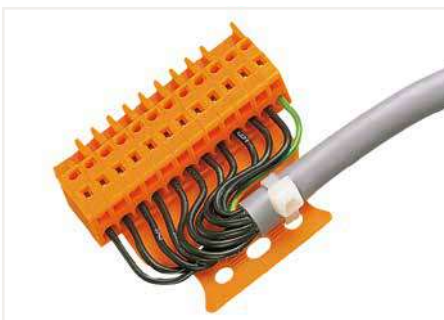
Pole No.	Width	Item-No. Suffix*
2 ... 3	11.5 mm	.../032-000
4 ... 5	20 mm	.../033-000
6 ... 9	30 mm	.../034-000
10 ... 24	50 mm	.../035-000



Both CAGE CLAMP®-equipped male and female connectors can be fitted with a strain relief plate. The strain relief plates must be pre-assembled (glued) prior to delivery for connector models equipped with CAGE CLAMP® connection. These strain relief plates are available in four different widths and are allocated to the specific pin spacing and pole number (as shown above). Angled female connectors for panel mounting cannot be fitted with strain relief plates.

*An "item no. suffix," referring to the width of the strain relief plate, is added to the "basic item no." and determines the type of male or female connector.

Cable ties and binding tools are not offered by WAGO.
The width of the cable ties must correspond to the hole dimensions of the strain relief plates shown above.



Ordering example:
1-conductor female connector,
with strain relief plate,
5.08 mm pin spacing, 12-pole, orange:
231-312/026-000/035-000



Ordering example:
1-conductor female connector,
with strain relief plate,
5 mm pin spacing, 3-pole, gray:
231-103/026-000/032-000



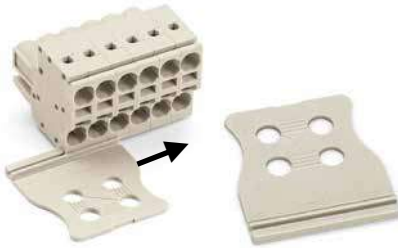
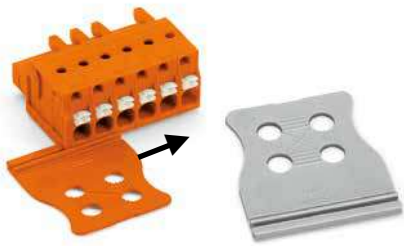
Gray strain relief plates are used for light gray 721, 722 and 723 Series Male and Female Connectors equipped with CAGE CLAMP® connection.

Strain Relief Plate; for Male and Female Connectors with Push-in CAGE CLAMP® Connection; 2721, 2231 Series and 2-Conductor Female Connectors 231, 721 Series MCS MIDI

For inserting; 5/5.08 mm pin spacing

For inserting; 7.5/7.62 mm pin spacing

Factory assembled



Light gray			
Pole No.	Width	Item No.	PU (SPU)
2	6 mm	734-127	100 (25)
3 ... 4	12.5 mm	734-128	100 (25)
5 ... 7	25 mm	734-129	100 (25)
8 ... 11	35 mm	734-126	100 (25)
12 ... 16	55 mm	734-426	50 (25)
17 ... 24	75 mm	734-427	50 (25)

Light gray			
Pole No.	Width	Item No.	PU (SPU)
2	6 mm	734-127	100 (25)
2 ... 3	12.5 mm	734-128	100 (25)
4 ... 6	25 mm	734-129	100 (25)
7 ... 9	35 mm	734-126	100 (25)
10 ... 12	55 mm	734-426	50 (25)
13 ... 16	75 mm	734-427	50 (25)

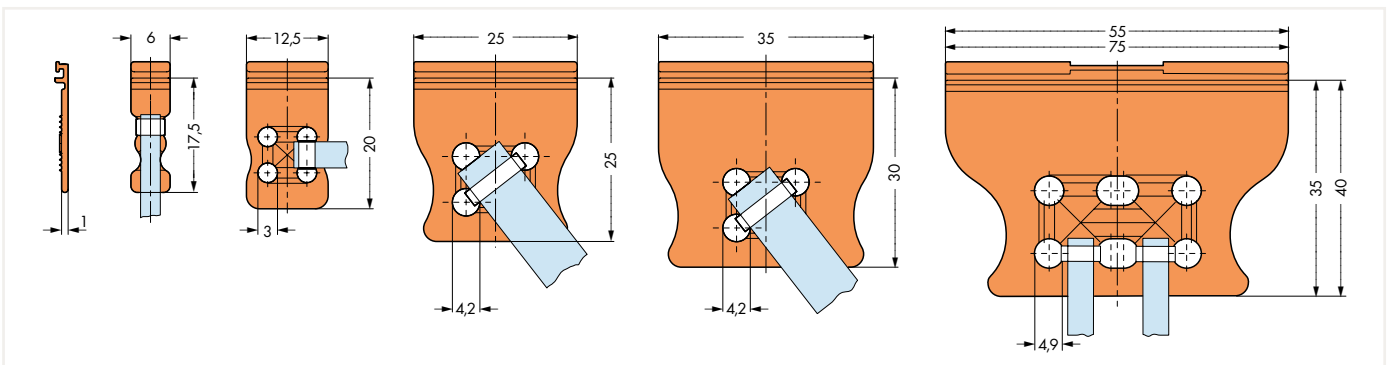
Pin spacing 5/5.08 mm and 7.5/7.62 mm		
Pole No.	Width	Item No. Suffix
2	6 mm	.../132-000
2 ... 3	12.5 mm	.../133-000
4 ... 6	25 mm	.../134-000
7 ... 9	35 mm	.../135-000
10 ... 12	55 mm	.../136-000
13 ... 16	75 mm	.../137-000

Gray			
Pole No.	Width	Item No.	PU (SPU)
2	6 mm	734-327	100 (25)
3 ... 4	12.5 mm	734-328	100 (25)
5 ... 7	25 mm	734-329	100 (25)
8 ... 11	35 mm	734-326	100 (25)
12 ... 16	55 mm	734-430	50 (25)
17 ... 24	75 mm	734-431	50 (25)

Gray			
Pole No.	Width	Item No.	PU (SPU)
2	6 mm	734-327	100 (25)
2 ... 3	12.5 mm	734-328	100 (25)
4 ... 6	25 mm	734-329	100 (25)
7 ... 9	35 mm	734-326	100 (25)
10 ... 12	55 mm	734-430	50 (25)
13 ... 16	75 mm	734-431	50 (25)

Orange			
Pole No.	Width	Item No.	PU (SPU)
2	6 mm	734-227	100 (25)
3 ... 4	12.5 mm	734-228	100 (25)
5 ... 7	25 mm	734-229	100 (25)
8 ... 11	35 mm	734-226	100 (25)
12 ... 16	55 mm	734-428	50 (25)
17 ... 24	75 mm	734-429	50 (25)

Orange			
Pole No.	Width	Item No.	PU (SPU)
2	6 mm	734-227	100 (25)
2 ... 3	12.5 mm	734-228	100 (25)
4 ... 6	25 mm	734-229	100 (25)
7 ... 9	35 mm	734-226	100 (25)
10 ... 12	55 mm	734-428	50 (25)
13 ... 16	75 mm	734-429	50 (25)



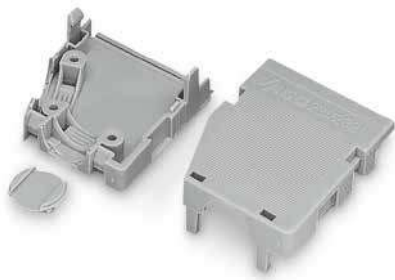
Female connectors with Push-in CAGE CLAMP® can be retrofitted with a strain relief plate or pre-assembled with one at the factory. These strain relief plates are available in six different widths and are allocated to the specific pin spacing and pole number (as shown left). The arrangement of the attachments for cable ties allows single conductors or multi-core cables to be secured in different ways.

*An "item no. suffix," referring to the width of the strain relief plate, is added to the "basic item no." and determines the type of male or female connector.

Cable ties and binding tools are not offered by WAGO. The width of the cable ties must correspond to the hole dimensions of the strain relief plates shown above.

PU = Packaging Unit; SPU = Subpackaging Unit; Dimensions in mm

Snap-On Type Strain Relief Housing; Consisting of Strain Relief Support and Housing MCS MIDI



Pin spacing 5 mm; gray		
Pole No.	Item No.	PU
2	232-602	25
3	232-603	25
4	232-604	25
5	232-605	25
6	232-606	25
7	232-607	25
8	232-608	25
9	232-609	25
10	232-610	25
12	232-612	25

Pin spacing 5.08 mm; orange		
Pole No.	Item No.	PU
2	232-632	25
3	232-633	25
4	232-634	25
5	232-635	25
6	232-636	25
7	232-637	25
8	232-638	25
9	232-639	25
10	232-640	25
12	232-642	25
16	232-646	25

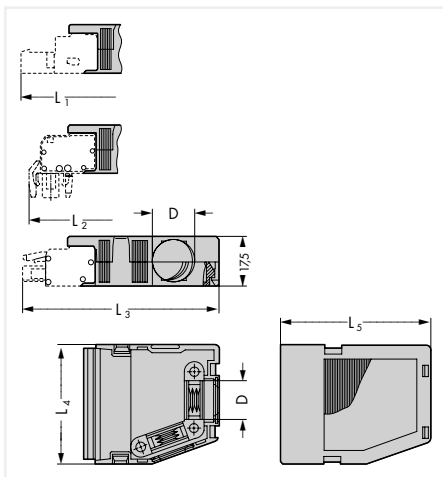
Cable clamp; for strain relief		
Pole No.	Item No.	PU
4 ... 6	209-177	25
7 ... 16	209-174	25

Mounting screws; for cable clamp		
Pole No.	Item No.	PU
4 ... 6	209-176	50
7 ... 16	209-173	50

- 2- to 3-pole; only suitable for cable ties; 1 cable outlet (rear side); max. 3.6 mm cable tie width
- 4- to 6-pole; suitable for cable clamp; 1 x cable outlet (rear side)
- 7- to 8-pole; suitable for cable clamp; 1 x cable outlet (rear side) and 1 x cable outlet (side); 1 cover (included)
- 9- to 16-pole; suitable for cable clamp; 1 x cable outlet (rear side) and 2 x cable outlets (side); 2 covers (included)

Cable ties and binding tools are not offered by WAGO.

9



Strain Relief Housing Dimensions (in mm):							
Pole No.	L ₄ (5 mm)	L ₄ (5.08 mm)	L ₁	L ₂	L ₃	L ₅	Cable Ø (max.)
2	13	13	59	55.5	58	41.5	6
3	18	18	59	55.5	58	41.5	7.5
4	23	23	59	55.5	58	41.5	9.5
5	28	28	59	55.5	58	41.5	9.5
6	33	33	59	55.5	58	41.5	9.5
7	38	38	71.5	68	70.5	54	14
8	43	43	71.5	68	70.5	54	14
9	48	48.7	71.5	68	70.5	54	14
10	53	53.8	71.5	68	70.5	54	14
12	63	64	71.5	68	70.5	54	14
16	85	85	71.5	68	70.5	54	14



Snapping a cover into the unused cable outlet.



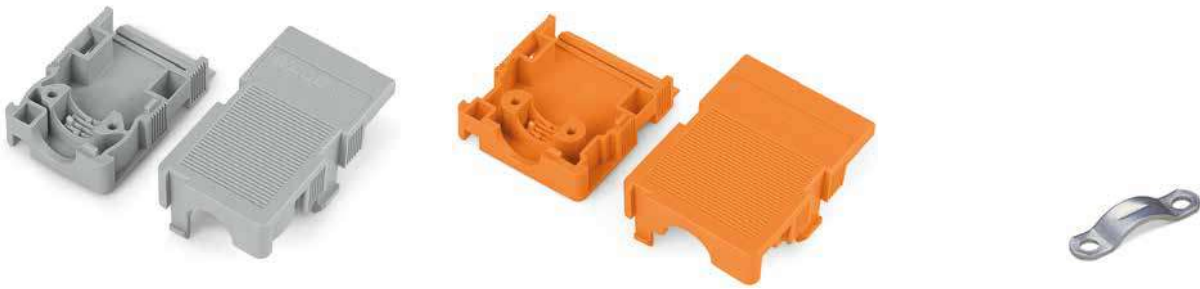
Snapping on a strain relief housing, demonstrated with a female connector with locking levers. Cable exits laterally – strain relief by cable tie (up to a width of 4 mm).



Disassembling a strain relief housing is only possible using an operating tool (e.g., 210-719).

PU = Packaging Unit; SPU = Subpackaging Unit; Dimensions in mm

Snap-On Type Strain Relief Housing; Consisting of Strain Relief Support and Housing MCS MIDI



Pin spacing 7.5 mm; light gray

Pole No.	Item No.	PU
2	232-662	25
3	232-663	25
4	232-664	25
5	232-665	25
7	232-667	25
10	232-670	25

Pin spacing 7.62 mm; orange

Pole No.	Item No.	PU
2	232-682	25
3	232-683	25
4	232-684	25
5	232-685	25
7	232-687	25

Cable clamp; for strain relief

Pole No.	Item No.	PU
4 ... 6	209-177	25
7 ... 16	209-174	25

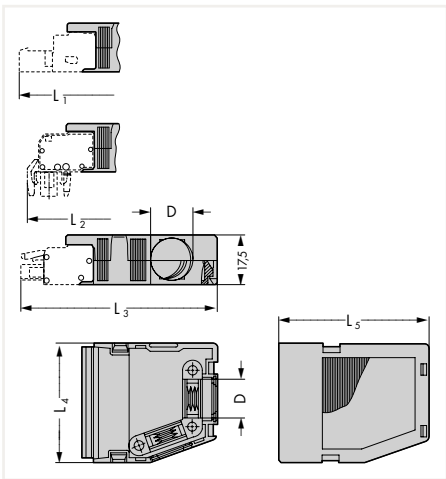


Mounting screws; for cable clamp

Pole No.	Item No.	PU
4 ... 6	209-176	50
7 ... 16	209-173	50

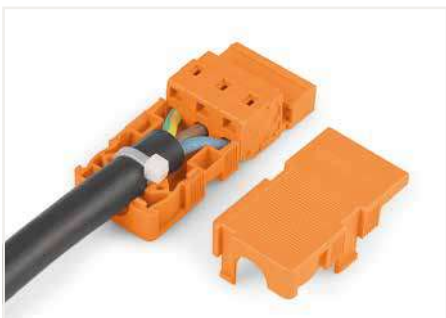
- 2-pole; only suitable for cable ties; 1 cable outlet (rear side), max. cable tie width 3.6 mm;
- 3- to 4-pole; suitable for cable clamp; 1 x cable outlet (rear side);
- 5-pole; suitable for cable clamp; 1 x cable outlet (rear side) and 1 x cable outlets (side); 1 cover (included)
- 7-pole; suitable for cable clamp; 1 x cable outlet (rear side) and 2 x cable outlets (side); 2 covers (included)

Cable ties and binding tools are not offered by WAGO.



Strain Relief Housing Dimensions (in mm):

Pole No.	L ₄ (5 mm)	L ₄ (5.08 mm)	L ₁	L ₂	L ₃	L ₅	Cable Ø (max.)
2	15.5	15.5	59	55.5	58	41.5	6
3	23	23	59	55.5	58	41.5	9.5
4	30.5	30.5	59	55.5	58	41.5	9.5
5	38	38	71.5	68	70.5	54	14
7	53	53.8	71.5	68	70.5	54	14



3-pole female connector with strain relief housing



4-pole male connector with strain relief housing



Gray strain relief plates are used for light gray 721, 722 and 723 Series Male and Female Connectors equipped with CAGE CLAMP® connection.

PU = Packaging Unit; SPU = Subpackaging Unit; Dimensions in mm

Mounting Adapters MCS MIDI



Mounting adapter for DIN-35 rail; for male and female connectors with snap-in mounting feet

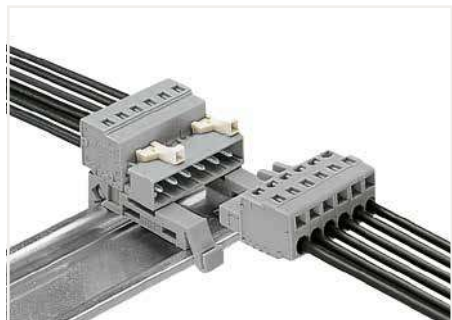
Color	Item No.	PU
○ gray	209-137	25

Multi mounting adapter; for DIN-35 rail, for male and female connectors with snap-in mounting feet

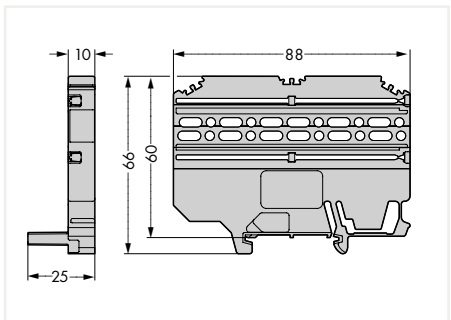
Color	Item No.	PU
○ gray	209-148	25

Mounting adapter; for DIN-35 rail; for angled female connectors with snap-in feet for panel mounting

Color	Item No.	PU (SPU)
○ gray	209-120	500(25)



Female connector with snap-in mounting feet and 209-189 Mounting Adapter on DIN-35 rail



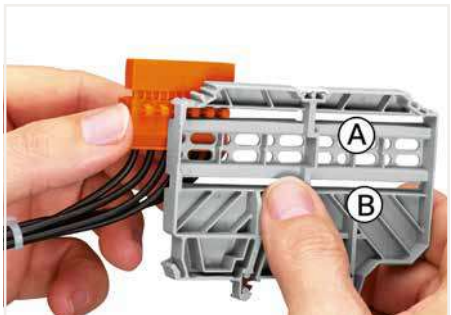
Multi mounting adapter (209-120) on DIN-35 rail and angled female connector with snap-in feet for panel mounting



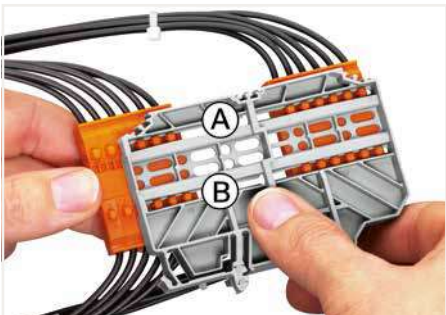
The pluggable male or female connector can also be fitted with a strain relief plate.



The adapter can be marked either with WSB, Mini-WSB or WMB markers.



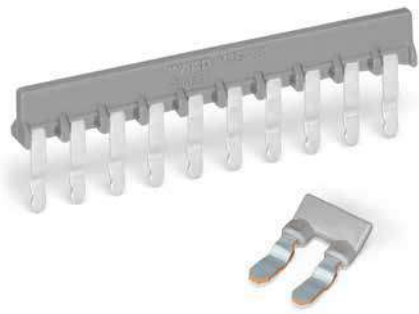
Both male and female connectors remain pluggable when they are mounted on the multi mounting adapter via its oblong holes or open grooves (A/B).



If a connector is pushed from the side into the open grooves (A/B) of the multi mounting adapter, the plug connection will be reliably protected from unintentional disconnection when mounted

PU = Packaging Unit; SPU = Subpackaging Unit; Dimensions in mm

Comb-Style Jumper Bars MCS MIDI



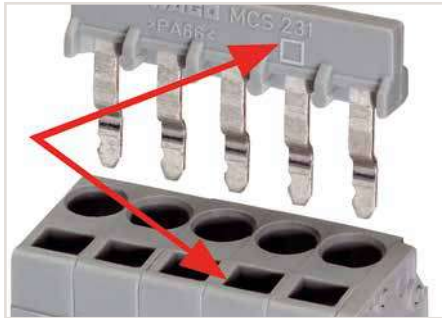
Comb-style jumper bar; for male and female connectors with CAGE CLAMP®; with CAGE CLAMP®; 5/5.08 mm pin spacing

	Item No.	PU (SPU)
2-way	231-902	200 (25)
3-way	231-903	200 (25)
5-way	231-905	100 (25)
7-way	231-907	100 (25)
10-way	231-910	100 (25)

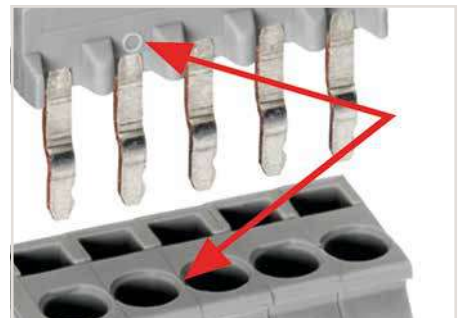
Electrical Data	
Ratings per	IEC/EN 60664-1
Overvoltage category	III
Pollution degree	2
Rated voltage	320 V
Rated surge voltage	4 kV
Rated current	12 A (2-pole) 16 A (3... 7-pole)

Notice:
Not suitable for female connectors equipped with Push-in CAGE CLAMP® connection and angled, panel-mount female connectors.

Comb-style jumper bar reduces maximum conductor cross-section to 1.5 mm².



Notice:
Insert jumper bar according to direction of symbols.
□ symbol correlates to the direction of the operating slot.



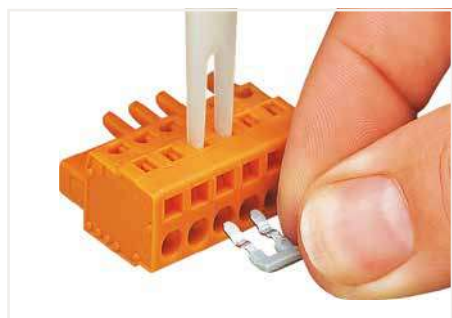
Notice:
Insert jumper bar according to direction of symbols.
○ symbol correlates to the direction of the conductor entry.



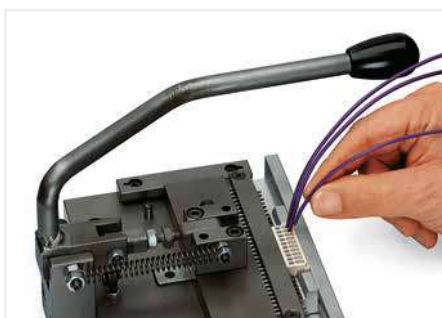
Custom comb-style jumper bars are created by breaking off jumper contacts (3 contacts and more).



Inserting a comb-style jumper bar via multipole operating tool – with the female or male connector being supported in a suitable holding device.



Commoning a female connector with 231-902 Comb-Style Jumper Bar via 2-pole operating tool.



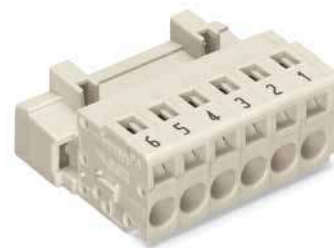
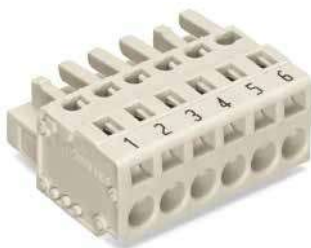
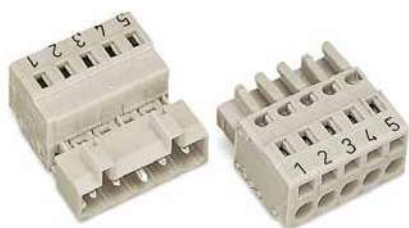
Both male and female connectors can be pre-assembled with comb-style jumper bars upon request.



Notice: Comb-style jumper bars reduce the conductor cross-section to 1.5 mm² "s" + "f-st."

Direct Marking

MCS MIDI and MCS MIDI Classic



The pole numbers of male and female connectors for CAGE CLAMP® termination can be marked via factory direct marking.

Two standard marking orientations are available:

1. Marking perpendicular to conductor entry
2. Marking parallel to conductor entry

Other custom marking options are available upon request.

Direct marking is not suitable for MCS PCB Male Headers. WAGO recommends pole marking on the PCB for these headers.

Female headers with solder pins are exposed to aggressive flux agents during wave soldering. Custom direct marking procedures are available upon request for these items.

The marking type is always defined by the second 4-digit block of the item no. suffix for items with standard colors and materials.

Example: 721-106/... - xxxx

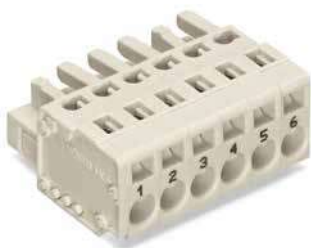
xxxx = Item no. suffix for direct marking

Direct marking of 1-conductor female connectors; perpendicular to conductor entry; 1 ... pole no.; item no. suffix.: /... - 047

Version	Item No. Example
1-conductor female connector; 5 mm pin spacing; 6-pole; light gray	721-106/026-047
1-conductor female connector; with locking levers; 5 mm pin spacing; 6-pole; light gray	721-106/037-047
1-conductor female connector; with strain relief plate; 5 mm pin spacing; 6-pole; light gray	721-106/026-047/034-000
1-conductor female connector; with locking levers and strain relief plate; 5 mm pin spacing; 6-pole; light gray	721-106/026-047/034-000

Direct marking of 1-conductor male connectors; perpendicular to conductor entry; pole no. ... 1; item no. suffix.: /... - 044

Version	Item No. Example
1-conductor male connector; 6-pole; light gray	721-606/000-044
1-conductor male connector; with mounting flanges; 6-pole; light gray	721-606/019-044
1-conductor male connector; with mounting flanges and strain relief plate; 6-pole; light gray	721-606/019-044/034-000



Direct marking of 1-conductor female connectors; parallel to conductor entry; 1 ... pole no.; item no. suffix.: /... - 9037

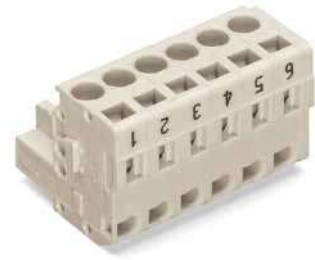
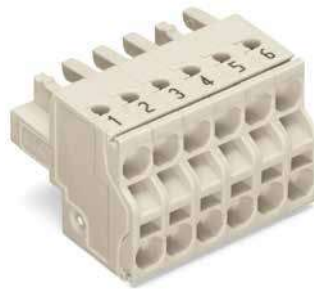
Version	Item No. Example
1-conductor female connector; 5 mm pin spacing; 6-pole; light gray	721-106/026-9037
1-conductor female connector; with locking levers; 5 mm pin spacing; 6-pole; light gray	721-106/037-9037
1-conductor female connector; with strain relief plate; 5 mm pin spacing; 6-pole; light gray	721-106/026-9037/034-000
1-conductor female connector; with locking levers and strain relief plate; 5 mm pin spacing; 6-pole; light gray	721-106/037-9037/034-000

Direct marking of 1-conductor male connectors; parallel to conductor entry; pole no. ... 1; item no. suffix.: /... - 9034

Version	Item No. Example
1-conductor male connector; 5 mm pin spacing; 6-pole; light gray	721-606/000-9034
1-conductor male connector; with mounting flanges; 5 mm pin spacing; 6-pole; light gray	721-606/019-9034
1-conductor male connector; with mounting flanges and strain relief plate; 5 mm pin spacing; 6-pole; light gray	721-606/019-9034/034-000

Direct Marking

MCS MIDI and MCS MIDI Classic



Direct marking of 1-conductor female connectors with push-buttons; perpendicular to conductor entry; 1 ... pole no.; item no. suffix.: /... - 047

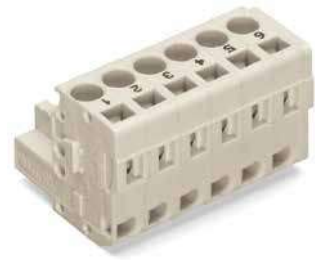
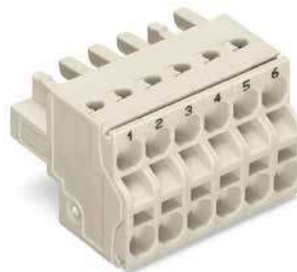
Version	Item No. Example
1-conductor female connector; with push-buttons; 5 mm pin spacing; 6-pole; light gray	2721-106/026-047
1-conductor female connector; with locking levers; 5 mm pin spacing; 6-pole; light gray	2721-106/037-047
1-conductor female connector; with push-buttons and strain relief plate; 5 mm pin spacing; 6-pole; light gray	2721-106/026-047/ 134-000
1-conductor female connector; with push-buttons; locking levers and strain relief plate; 5 mm pin spacing; 6-pole; light gray	2721-106/037-047/ 134-000

Direct marking of 2-conductor female connectors; perpendicular to conductor entry; 1 ... pole no.; item no. suffix.: /... - 047

Version	Item No. Example
2-conductor female connector; 6-pole; light gray	721-2106/026-047
2-conductor female connector; with locking levers; 6-pole; light gray	721-2106/037-047
2-conductor female connector; with locking levers and strain relief plate; 6-pole; light gray	721-2106/026-047/ 134-000

Direct marking of 1-conductor angled female connectors; perpendicular to conductor entry; 1 ... pole no.; item no. suffix.: /... - 047

Version	Item No. Example
1-conductor angled female connector; 6-pole; light gray	722-206/026-047
1-conductor angled female connector; with strain relief plate; 6-pole; light gray	722-206/026-047/ 034-000



Direct marking of 1-conductor female connectors with push-buttons; parallel to conductor entry; 1 ... pole no.; item no. suffix.: /... - 9037

Version	Item No. Example
1-conductor female connector; with push-buttons; 5 mm pin spacing; 6-pole; light gray	2721-106/026-9037
1-conductor female connector; with push-buttons and locking levers; 5 mm pin spacing; 6-pole; light gray	2721-106/037-9037
1-conductor female connector; with push-buttons and strain relief plate; 5 mm pin spacing; 6-pole; light gray	2721-106/026-9037/ 134-000
1-conductor female connector; with push-buttons; locking levers and strain relief plate; 5 mm pin spacing; 6-pole; light gray	2721-106/037-9037/ 134-000

Direct marking of 2-conductor female connectors; parallel to conductor entry; 1 ... pole no.; item no. suffix.: /... - 9037

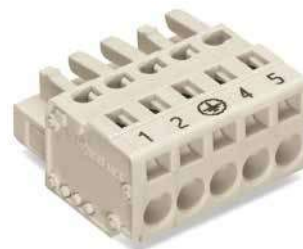
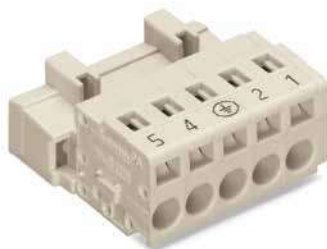
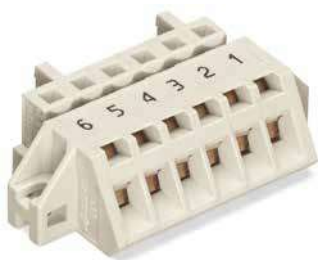
Version	Item No. Example
2-conductor female connector; 5 mm pin spacing; 6-pole; light gray	721-2106/026-9037
2-conductor female connector; with locking levers; 5 mm pin spacing; 6-pole; light gray	721-2106/037-9037
2-conductor female connector; with locking levers and strain relief plate; 5 mm pin spacing; 6-pole; light gray	721-2106/026-9037/ 134-000

Direct marking of 1-conductor angled female connectors; parallel to conductor entry; 1 ... pole no.; item no. suffix.: /... - 047

Version	Item No. Example
1-conductor angled female connector; 5 mm pin spacing; 6-pole; light gray	722-206/026-9037
1-conductor angled female connector; with strain relief plate; 5 mm pin spacing; 6-pole; light gray	722-206/026-9037/ 034-000

Direct Marking

MCS MIDI and MCS MIDI Classic



Direct marking of 2-conductor angled female connectors for panel mounting; perpendicular to conductor entry; 1 ... pole no.; item no. suffix.: /... - 047

Version	Item No. Example
1-conductor angled female connector; with flanges for panel mounting; 5 mm pin spacing; 6-pole; light gray	721-306/031-047
1-conductor angled female connector; for panel mounting; with snap-in mounting feet; 5 mm pin spacing; 6-pole; light gray	721-306/008-047

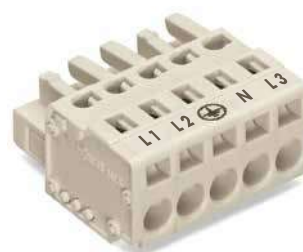
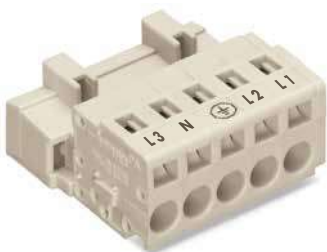
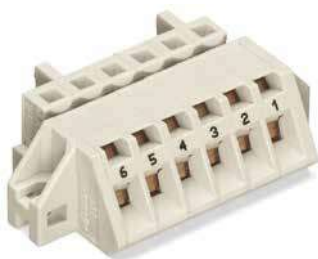
Direct marking of 3- to 5-pole; 1-conductor male connectors with preceding ground contact; perpendicular to conductor entry; pole assignment; item no. suffix.: /... - 042

Version	Item No. Example
1-conductor male connector; with preceding ground contact; 5 mm pin spacing; 5-pole; light gray	721-605/000-042
1-conductor male connectors in 3- to 5-pole versions (721 and 723 Series) are available with the following markings:	
3-pole: 3 - Ⓞ - 1	
4-pole: 4 - Ⓞ - 2 - 1	
5-pole: 5 - 4 - Ⓞ - 2 - 1	

Direct marking of 3- to 5-pole; 1-conductor female connectors for 1-conductor male connectors with preceding ground contact; perpendicular to conductor entry; pole assignment; item no. suffix.: /... - 045

Version	Item No. Example
1-conductor female connector; with preceding ground contact; 5 mm pin spacing; 5-pole; light gray	721-105/026-045
1-conductor female connectors in 3- to 5-pole versions (721, 2721, 722 and 723 Series) for 1-conductor male connectors with preceding ground contact are available with the following markings:	
3-pole: 1 - Ⓞ - 3	
4-pole: 1 - 2 - Ⓞ - 4	
5-pole: 1 - 2 - Ⓞ - 4 - 5	

9



Direct marking of 1-conductor angled female connectors for panel mounting; parallel to conductor entry; 1 ... pole no.; item no. suffix.: /... - 9037

Version	Item No. Example
1-conductor angled female connector; with flanges for panel mounting; 5 mm pin spacing; 6-pole; light gray	721-306/031-9037
1-conductor angled female connector; for panel mounting; with snap-in mounting feet; 5 mm pin spacing; 6-pole; light gray	721-306/008-9037

Direct marking of 3- to 5-pole; 1-conductor male connectors with preceding ground contact; perpendicular to conductor entry; pole assignment; item no. suffix.: /... - 041

Version	Item No. Example
1-conductor male connector; with preceding ground contact; 5 mm pin spacing; 5-pole; light gray	721-605/000-041
1-conductor male connectors in 3- to 5-pole versions (721 and 723 Series) are available with the following markings:	
3-pole: N - Ⓞ - L 1	
4-pole: L 2 - Ⓞ - N - L 1	
5-pole: L 3 - N - Ⓞ - L 2 - L 1	
Pole no. ... 1; item no. suffix.: /... - 043	

Direct marking of 3- to 5-pole; 1-conductor female connectors for 1-conductor male connectors with preceding ground contact; perpendicular to conductor entry; pole assignment; item no. suffix.: /... - 046

Version	Item No. Example
1-conductor female connector; with preceding ground contact; 5 mm pin spacing; 5-pole; light gray	721-105/026-046
1-conductor female connectors in 3- to 5-pole versions (721, 2721, 722 and 723 Series) for 1-conductor male connectors with preceding ground contact are available with the following markings:	
3-pole: L 1 - Ⓞ - N	
4-pole: L 1 - N - Ⓞ - L 2	
5-pole: L 1 - L 2 - Ⓞ - N - L 3	
1 ... pole no.; item no. suffix.: /... - 047	

Cutout Dimensions MCS MIDI

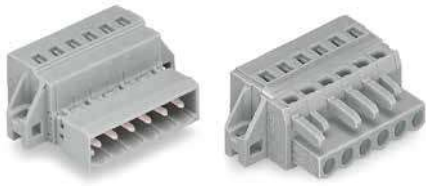


Table 1:
Cutout for 231. 721. 723 and 731 Series Male and Female Connectors with Mounting Flanges

Pole No.	Pin Spacing 5 mm		Pin Spacing 5.08 mm		Pin Spacing 7.5 mm		Pin Spacing 7.62 mm	
	L1	L2	L1	L2	L1	L2	L1	L2
2	13.4	18.4	13.6	18.6	15.9	20.9	16	21
3	18.4	23.4	18.6	23.6	23.4	28.4	23.6	28.6
4	23.4	28.4	23.7	28.7	30.9	35.9	31.3	36.3
5	28.4	33.4	28.8	33.8	38.4	43.4	38.9	43.9
6	33.5	38.3	34	38.8	46	50.8	46.6	51.4
7	38.5	43.3	39.1	43.9	53.5	58.3	54.2	59
8	43.5	48.3	44.1	48.9	61	65.8	61.8	66.6
9	48.5	53.3	49.2	54	68.5	73.3	69.5	74.3
10	53.5	58.3	54.3	59.1	76	80.8	77.1	81.9
11	58.5	63.3	59.4	64.2	83.5	88.3	84.7	89.5
12	63.5	68.3	64.5	69.3	91	95.8	92.3	97.1
13	68.6	73.2	69.6	74.2	98.6	103.2	100	104.6
14	73.6	78.2	74.7	79.3	106.1	110.7	107.7	112.3
15	78.6	83.2	79.8	84.4	113.6	118.2	115.3	119.9
16	83.6	88.2	84.9	89.5	121.1	125.7	122.9	127.5
17	88.6	93.2	90	94.6	128.6	133.2	130.5	135.1
18	93.6	98.2	95	99.6	136.1	140.7	138.1	142.7
19	98.7	103.1	100.2	104.6	143.7	148.1	145.9	150.3
20	103.7	108.1	105.3	109.7	151.2	155.6	153.5	157.9
21	108.7	113.1	110.4	114.8	158.7	163.1	161.1	165.5
22	113.7	118.1	115.5	119.9	166.2	170.6	168.7	173.1
23	118.7	123.1	120.5	124.9	173.7	178.1	176.3	180.7
24	123.7	128.1	125.6	130	181.2	185.6	184	188.4

Self-tapping screws,
for 1.8 mm ± 0.1 mm Ø mounting hole

Dimensions	Item No.	PU (SPU)
B 2.2 x 9.5 mm	209-147	200 (100)
B 2.2 x 13 mm	231-194	200 (100)

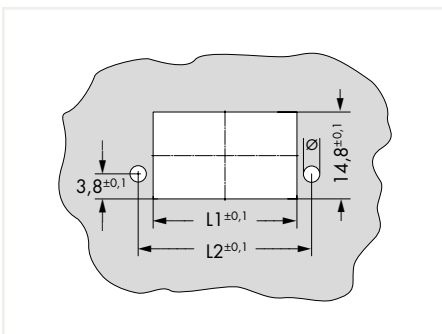
Screws with nuts,
for 2.5 mm ± 0.1 mm Ø mounting hole

Dimensions	Item No.	PU (SPU)
M 2 x 12 mm	231-195	200 (100)

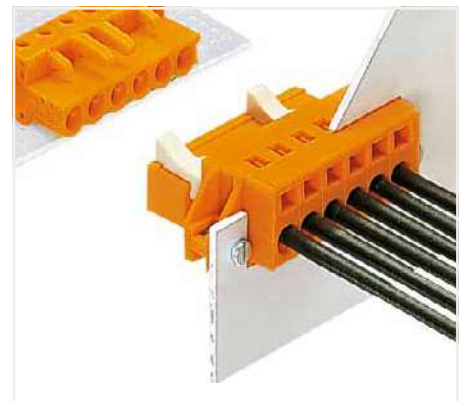
Screws with nuts,
for 3.0 mm ± 0.1 mm Ø mounting hole

Dimensions	Item No.	PU (SPU)
M 2.5 x 10 mm	231-295	200 (100)

9



Drilled hole Ø depends on the type of screw used (see mounting screws).



PU = Packaging Unit; SPU = Subpackaging Unit; Dimensions in mm

Additional information on through-panel mounting and cutout dimensions is available upon request.

Cutout Dimensions MCS MIDI



Table 2:
Cutout for 2721 and 2231 Series Female Connectors with Mounting Flanges

Pole No.	Pin Spacing 5 mm		Pin Spacing 5.08 mm		Pin Spacing 7.5 mm		Pin Spacing 7.62 mm	
	L1	L2	L1	L2	L1	L2	L1	L2
2	13.2	18.4	13.4	18.6	15.7	20.9	15.8	21
3	18.2	23.4	18.4	23.6	23.2	28.4	23.4	28.6
4	23.2	28.4	23.5	28.7	30.7	35.9	31.1	36.3
5	28.2	33.4	28.6	33.8	38.2	43.4	38.7	43.9
6	33.4	38.3	33.9	38.8	45.9	50.8	46.5	51.4
7	38.4	43.3	39	43.9	53.4	58.3	54.1	59
8	43.4	48.3	44	48.9	60.9	65.8	61.7	66.6
9	48.4	53.3	49.1	54	68.4	73.3	69.4	74.3
10	53.4	58.3	54.2	59.1	75.9	80.8	77	81.9
11	58.4	63.3	59.3	64.2	83.4	88.3	84.6	89.5
12	63.4	68.3	64.4	69.3	90.9	95.8	92.2	97.1
13	68.6	73.2	69.6	74.2	98.6	103.2	100	104.6
14	73.6	78.2	74.7	79.3	106.1	110.7	107.7	112.3
15	78.6	83.2	79.8	84.4	113.6	118.2	115.3	119.9
16	83.6	88.2	84.9	89.5	121.1	125.7	122.9	127.5
17	88.6	93.2	90	94.6	128.6	133.2	130.5	135.1
18	93.6	98.2	95	99.6	136.1	140.7	138.1	142.7
19	98.8	103.1	100.3	104.6	143.8	148.1	146	150.3
20	103.8	108.1	105.4	109.7	151.3	155.6	153.6	157.9
21	108.8	113.1	110.5	114.8	158.8	163.1	161.2	165.5
22	113.8	118.1	115.6	119.9	166.3	170.6	168.8	173.1
23	118.8	123.1	120.6	124.9	173.8	178.1	176.4	180.7
24	123.8	128.1	125.7	130	181.3	185.6	184.1	188.4

Self-tapping screws,
for 1.8 mm ± 0.1 mm Ø mounting hole

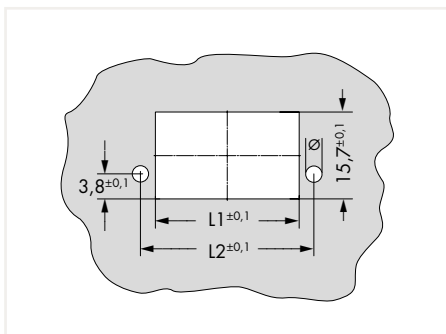
Dimensions	Item No.	PU (SPU)
B 2.2 x 9.5 mm	209-147	200 (100)
B 2.2 x 13 mm	231-194	200 (100)

Screws with nuts,
for 2.5 mm ± 0.1 mm Ø mounting hole

Dimensions	Item No.	PU (SPU)
M 2 x 12 mm	231-195	200 (100)

Screws with nuts,
for 3.0 mm ± 0.1 mm Ø mounting hole

Dimensions	Item No.	PU (SPU)
M 2.5 x 10 mm	231-295	200 (100)



Drilled hole Ø depends on the type of screw used (see mounting screws).



PU = Packaging Unit; SPU = Subpackaging Unit; Dimensions in mm

Additional information on through-panel mounting and cutout dimensions is available upon request.

Cutout Dimensions

MCS MIDI

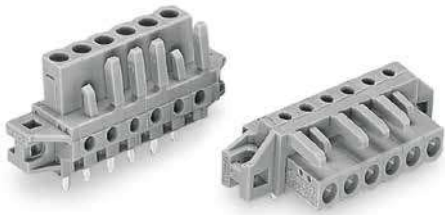


Table 3:
Cutout for 232 and 722 Series THT Female Headers with Mounting Flanges

Pole No.	Pin Spacing 5 mm		Pin Spacing 5.08 mm		Pin Spacing 7.5 mm		Pin Spacing 7.62 mm	
	L1	L2	L1	L2	L1	L2	L1	L2
2	13.4	18.4	13.6	18.6	15.9	20.9	16	21
3	18.4	23.4	18.6	23.6	23.4	28.4	23.6	28.6
4	23.4	28.4	23.7	28.7	30.9	35.9	31.3	36.3
5	28.4	33.4	28.8	33.8	38.4	43.4	38.9	43.9
6	33.5	38.3	34	38.8	46	50.8	46.6	51.4
7	38.5	43.3	39.1	43.9	53.5	58.3	54.2	59
8	43.5	48.3	44.1	48.9	61	65.8	61.8	66.6
9	48.5	53.3	49.2	54	68.5	73.3	69.5	74.3
10	53.5	58.3	54.3	59.1	76	80.8	77.1	81.9
11	58.5	63.3	59.4	64.2	83.5	88.3	84.7	89.5
12	63.5	68.3	64.5	69.3	91	95.8	92.3	97.1
13	68.6	73.2	69.6	74.2	98.6	103.2	100	104.6
14	73.6	78.2	74.7	79.3	106.1	110.7	107.7	112.3
15	78.6	83.2	79.8	84.4	113.6	118.2	115.3	119.9
16	83.6	88.2	84.9	89.5	121.1	125.7	122.9	127.5
17	88.6	93.2	90	94.6	128.6	133.2	130.5	135.1
18	93.6	98.2	95	99.6	136.1	140.7	138.1	142.7
19	98.7	103.1	100.2	104.6	143.7	148.1	145.9	150.3
20	103.7	108.1	105.3	109.7	151.2	155.6	153.5	157.9
21	108.7	113.1	110.4	114.8	158.7	163.1	161.1	165.5
22	113.7	118.1	115.5	119.9	166.2	170.6	168.7	173.1
23	118.7	123.1	120.5	124.9	173.7	178.1	176.3	180.7
24	123.7	128.1	125.6	130	181.2	185.6	184	188.4

Self-tapping screws,
for 1.8 mm ± 0.1 mm Ø mounting hole

Dimensions	Item No.	PU (SPU)
B 2.2 x 9,5 mm	209-147	200 (100)
B 2.2 x 13 mm	231-194	200 (100)

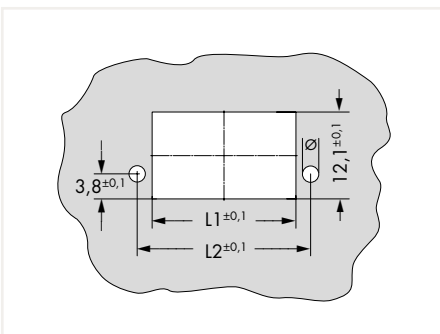
Screws with nuts,
for 2.5 mm ± 0.1 mm Ø mounting hole

Dimensions	Item No.	PU (SPU)
M 2 x 12 mm	231-195	200 (100)

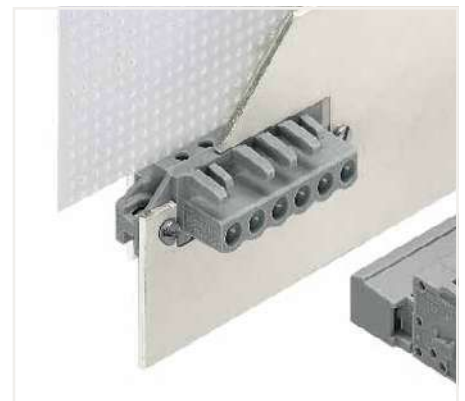
Screws with nuts,
for 3.0 mm ± 0.1 mm Ø mounting hole

Dimensions	Item No.	PU (SPU)
M 2.5 x 10 mm	231-295	200 (100)

9



Drilled hole Ø depends on the type of screw used (see mounting screws).



PU = Packaging Unit; SPU = Subpackaging Unit; Dimensions in mm

Additional information on through-panel mounting and cutout dimensions is available upon request.

Cutout Dimensions MCS MIDI

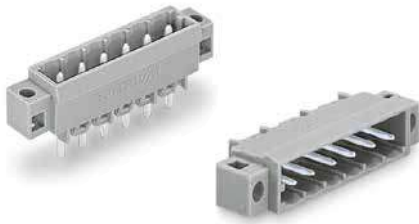


Table 4:
Cutout for 231 Series THT Male Headers with Mounting Flanges

Pole No.	Pin Spacing 5 mm			Pin Spacing 7,5 mm		
	L1	L2	L3	L1	L2	L3
2	13.6	8.9	9.5	16.1	10.6	10.8
3	18.6	11.4	12	23.6	14.3	14.5
4	23.6	13.9	14.5	31.1	18.1	18.3
5	28.6	16.4	17	38.6	21.8	22
6	33.8	19	19.6	46.3	25.7	25.9
7	38.8	21.5	22.1	53.8	29.4	29.6
8	43.8	24	24.6	61.3	33.2	33.4
9	48.8	26.5	27.1	68.8	36.9	37.1
10	53.8	29	29.6	76.3	40.7	40.9
11	58.8	31.5	32.1	83.8	44.4	44.6
12	63.8	34	34.6	91.3	48.2	48.4
13	69	36.6	37.2	99	52	52.2
14	74	39.1	39.7	106.5	55.8	56
15	79	41.6	42.2	114	59.5	59.7
16	84	44.1	44.7	121.5	63.3	63.5
17	89	46.6	47.2	129	67	67.2
18	94	49.1	49.7	136.5	70.8	71
19	99.2	51.7	52.3	144.2	74.6	74.8
20	104.2	54.2	54.8	151.7	78.4	78.6
21	109.2	56.7	57.3	159.2	82.1	82.3
22	114.2	59.2	59.8	166.7	85.9	86.1
23	119.2	61.7	62.3	174.2	89.6	89.8
24	124.2	64.2	64.8	181.7	93.4	93.6

Self-tapping screws,
for 1.8 mm ± 0.1 mm Ø mounting hole

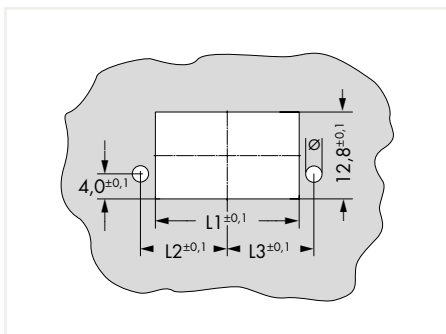
Dimensions	Item No.	PU (SPU)
B 2.2 x 9.5 mm	209-147	200 (100)
B 2.2 x 13 mm	231-194	200 (100)

Screws with nuts,
for 2.5 mm ± 0.1 mm Ø mounting hole

Dimensions	Item No.	PU (SPU)
M 2 x 12 mm	231-195	200 (100)

Screws with nuts,
for 3.0 mm ± 0.1 mm Ø mounting hole

Dimensions	Item No.	PU (SPU)
M 2.5 x 10 mm	231-295	200 (100)



Drilled hole Ø depends on the type of screw used (see mounting screws).



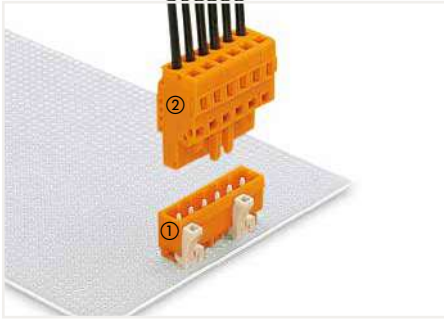
PU = Packaging Unit; SPU = Subpackaging Unit; Dimensions in mm

Additional information on through-panel mounting and cutout dimensions is available upon request.

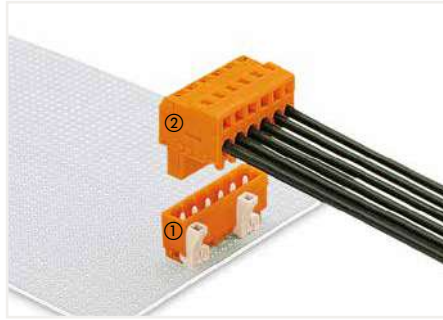
Application Examples

PCB Connectors and Headers

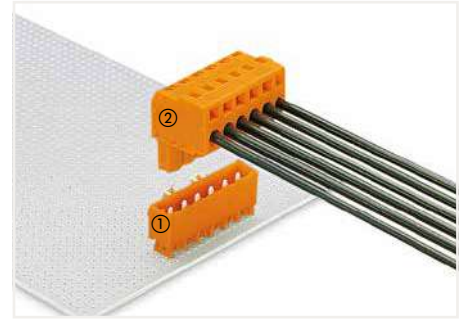
MCS MIDI Classic



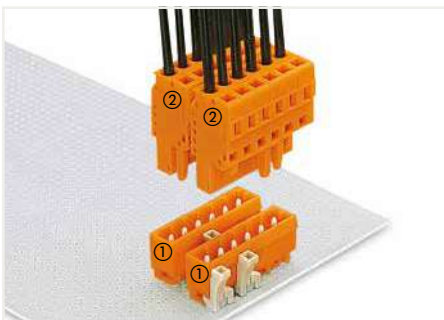
①*Male header with straight solder pins
②*Female connector with CAGE CLAMP®



①*Male header with straight solder pins
②*Angled female connector, conductor entry same direction as latches

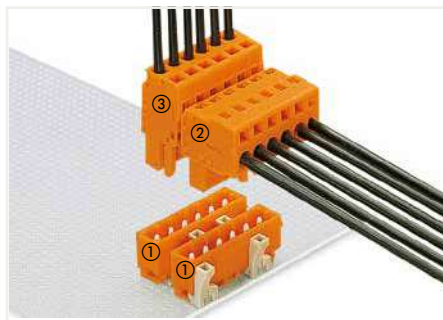


① Male header with straight solder pins
② Angled female connector, conductor entry opposite of latches



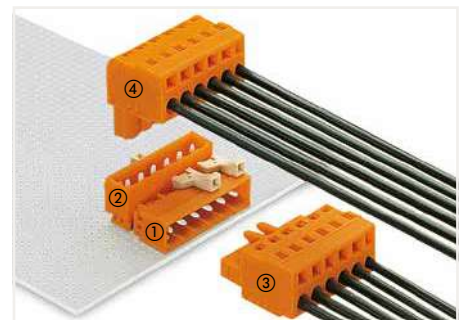
①*Male headers with straight solder pins**
②*Female connectors with CAGE CLAMP®

**Rear male header must be coded prior to soldering!



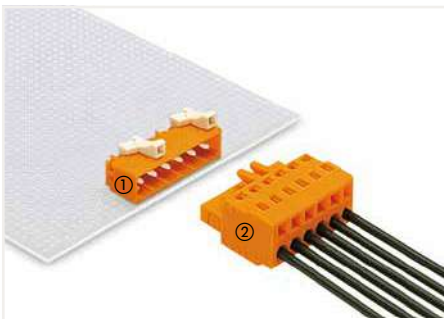
①*Male headers with straight solder pins**
②*Angled female connector, conductor entry same direction as latches
③*Female connector with CAGE CLAMP®

**Rear male header must be coded prior to soldering!

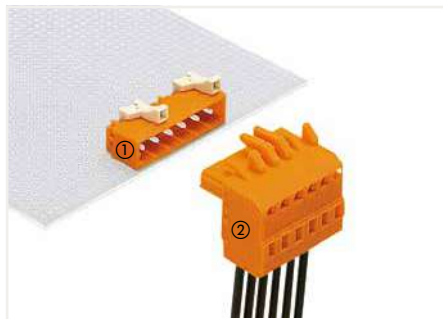


① Male header with angled solder pins
② Male header with straight solder pins
③ Female connector with CAGE CLAMP®
④ Angled female connector, conductor entry opposite of latches

9



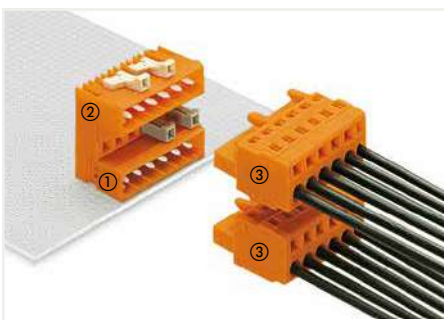
①*Male header with angled solder pins
②*Female connector with CAGE CLAMP®



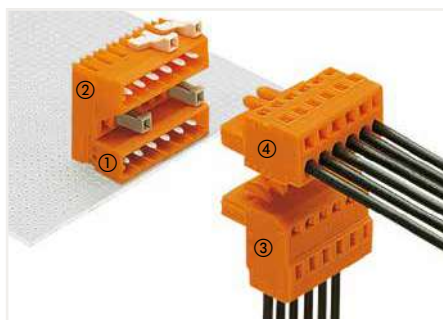
① Male header with angled solder pins
② Angled female connector, conductor entry opposite of latches



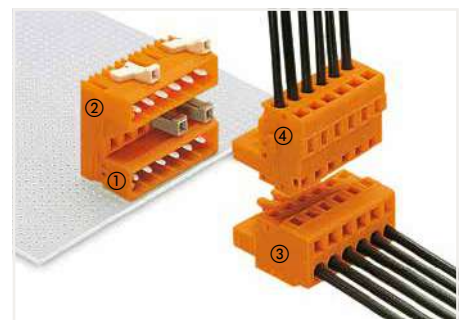
①*Male header with angled solder pins
②*Angled female connector, conductor entry same direction as latches



① Male header with angled solder pins
② Male header for double-deck assembly
③ Female connectors with CAGE CLAMP®



① Male header with angled solder pins
② Male header for double-deck assembly
③ Angled female connector, conductor entry opposite of latches
④ Female connector with CAGE CLAMP®



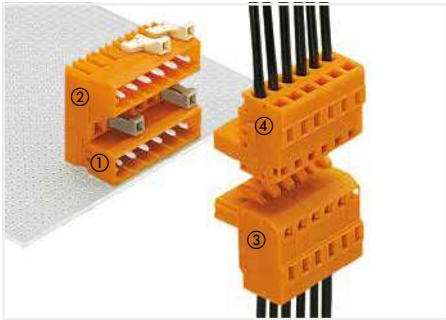
① Male header with angled solder pins
② Male header for double-deck assembly
③ Female connector with CAGE CLAMP®
④ Angled female connector, conductor entry same direction as latches

*also available in version "100 % protected against mismatching" (see Section 5)

Application Examples

PCB Connectors and Headers

MCS MIDI Classic

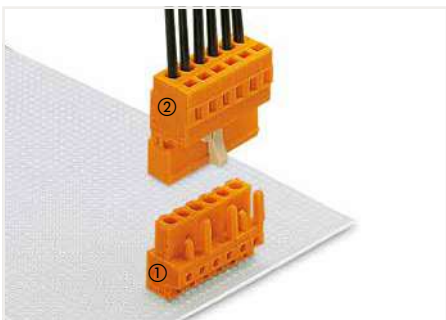


- ① Male header with angled solder pins
- ② Male header for double-deck assembly
- ③ Angled female connector, conductor entry opposite of latches
- ④ Angled female connector, conductor entry same direction as latches

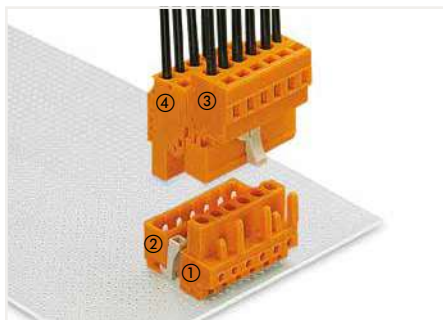
Angled female connectors are available with conductor entries in the same direction as latches, or opposite of latches. This allows different conductor entry directions with the same mounting direction of the male headers. Angled female connectors with conductor entry opposite of latches are not available in versions that are 100 % protected against mismatching. Male headers and female connectors allow touch-proof supply to the PCB. Female headers and male connectors equipped with CAGE CLAMP® allow touch-proof supply from the PCB. These combinations can also be used for coding different circuits.



Female connectors with strain relief plate

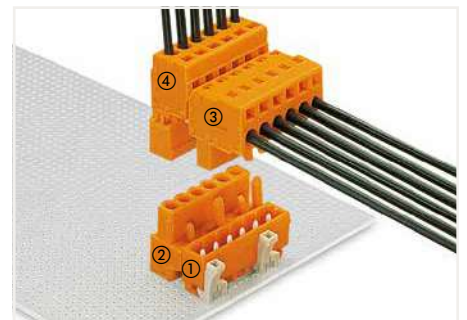


- ①*Female connector with straight solder pins
- ②*Male connector with CAGE CLAMP®

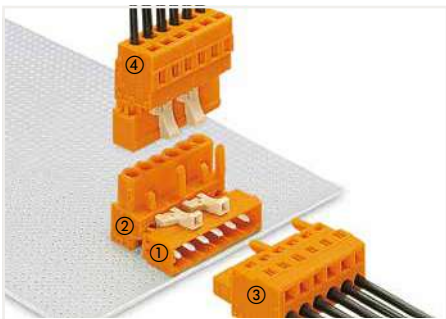


- ①*Female connector with straight solder pins
- ②*Male header with straight solder pins**
- ③*Male connector with CAGE CLAMP®
- ④*Female connector with CAGE CLAMP®

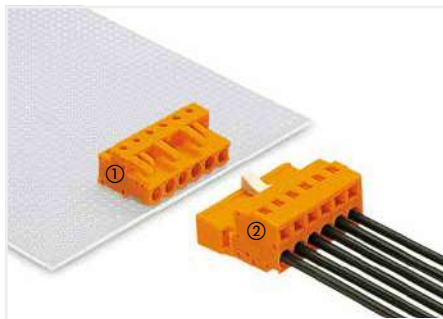
**Male header must be coded prior to soldering!



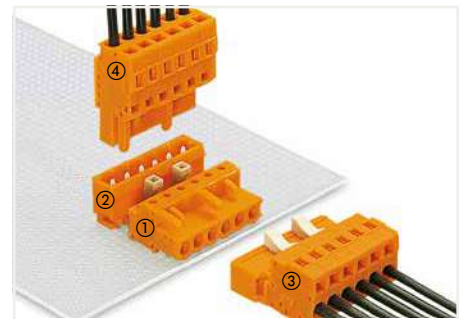
- ①*Male header with straight solder pins
- ②*Female header with straight solder pins
- ③*Angled female connector, conductor entry same direction as latches
- ④*Male connector with CAGE CLAMP®



- ①*Male header with angled solder pins
- ②*Female header with straight solder pins
- ③*Female connector with CAGE CLAMP®
- ④*Male connector with CAGE CLAMP®

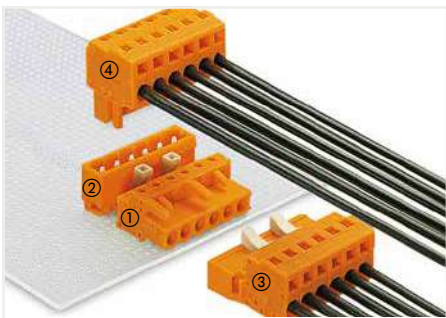


- ①*Female header with angled solder pins
- ②*Male connector with CAGE CLAMP®

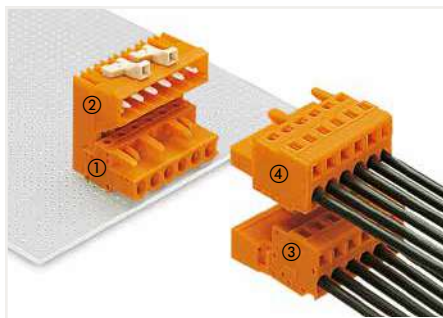


- ①*Female header with angled solder pins
- ②*Male header with straight solder pins**
- ③*Male connector with CAGE CLAMP®
- ④*Female connector with CAGE CLAMP®

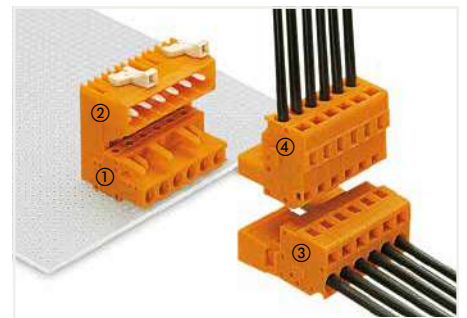
**Male header must be coded prior to soldering!



- ①*Female header with angled solder pins
- ②*Male header with straight solder pins**
- ③*Male connector with CAGE CLAMP®
- ④*Angled female connector, conductor entry same direction as latches



- ① Female header with angled solder pins
- ② Male header for double-deck assembly
- ③ Male connector with CAGE CLAMP®
- ④ Female connector with CAGE CLAMP®

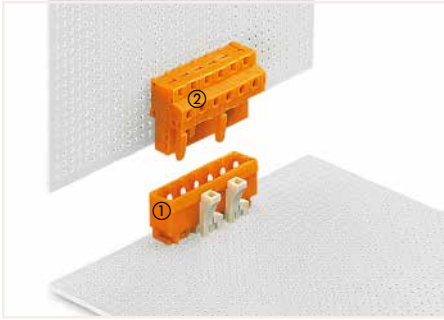


- ① Female header with angled solder pins
- ② Male header for double-deck assembly
- ③ Male connector with CAGE CLAMP®
- ④ Angled female connector, conductor entry same direction as latches

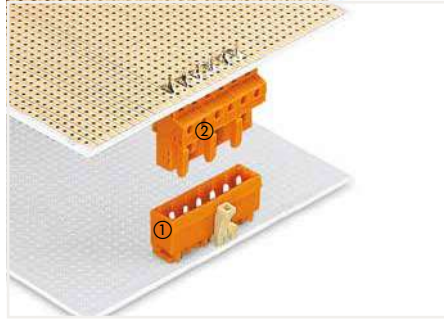
**Male header must be coded prior to soldering!

*also available in version "100 % protected against mismatching" (see Section 5)

Application Examples PCB Headers and Connectors MCS MIDI Classic



①*Male header with straight solder pins
②*Female header with angled solder pins



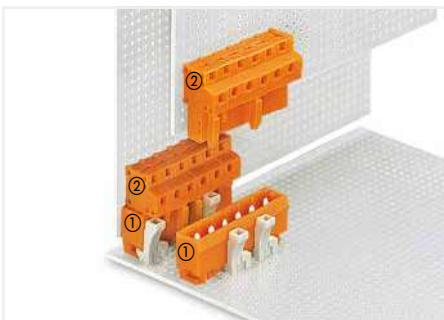
①*Male header with straight solder pins
②*Female header with straight solder pins

Total height when mated:
22.5 mm (0.886 inch)

Panel Feedthrough Connectors



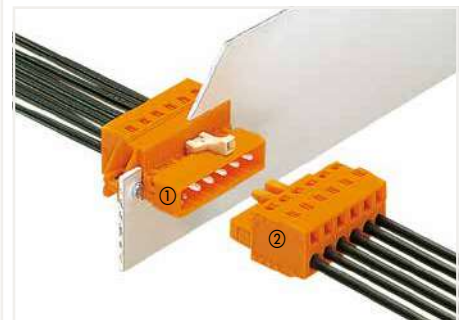
Snap-on type strain relief housings



①*Male headers with straight solder pins
②*Female headers with angled solder pins

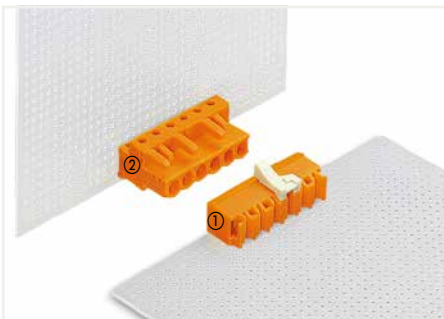


①*Female headers with straight solder pins
②*Male headers with angled solder pins

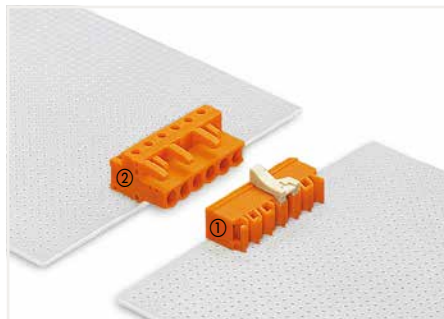


①*Male connector with mounting flanges and CAGE CLAMP®
②*Female connector with CAGE CLAMP®

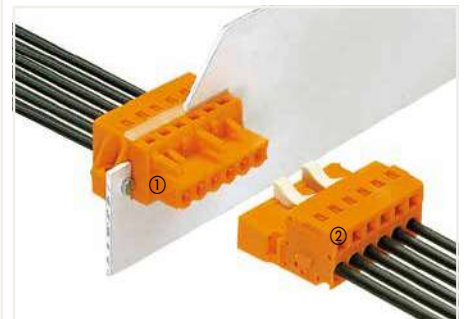
9



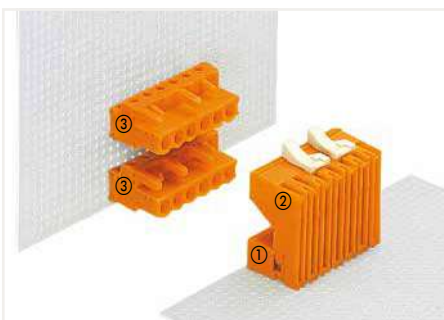
①*Male header with angled solder pins
②*Female header with straight solder pins



①*Male header with angled solder pins
②*Female header with angled solder pins



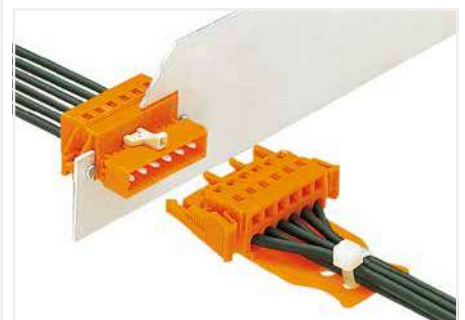
①*Female connector with mounting flanges and CAGE CLAMP®
②*Male connector with CAGE CLAMP®



① Male header with angled solder pins
② Male header for double-deck assembly
③ Female header with straight solder pins



① Female header with angled solder pins
② Male header for double-deck assembly
③ Male header with straight solder pins
④ Female header with straight solder pins

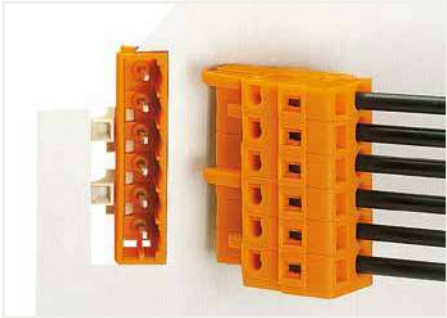


Female connector with locking levers and strain relief plate

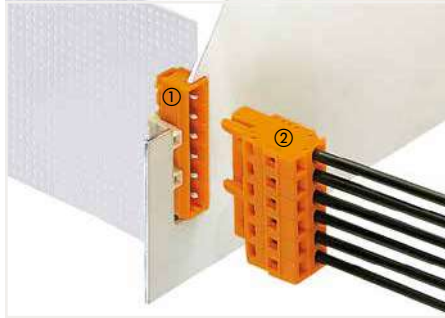
*also available in version "100 % protected against mismatching" (see Section 5); Cutout dimensions, see page 510

Application Examples

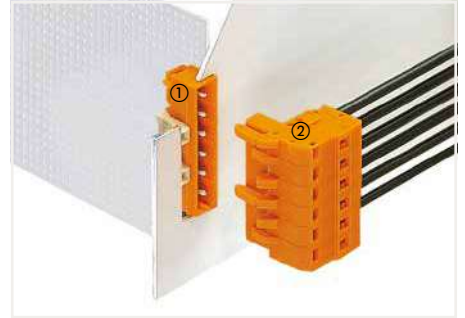
PCB Panel Feedthrough Headers



Panel feedthrough male header in large cutout
Coding via coding keys:
Coding finger(s) opposite to coding key(s) must be broken off.



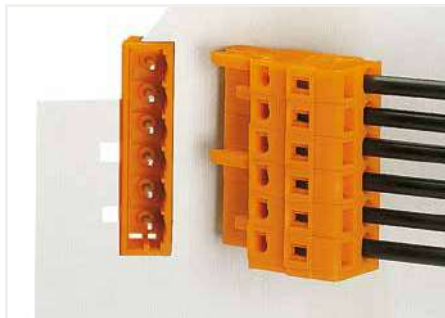
①*Male header with angled solder pins
②*Female connector with CAGE CLAMP®



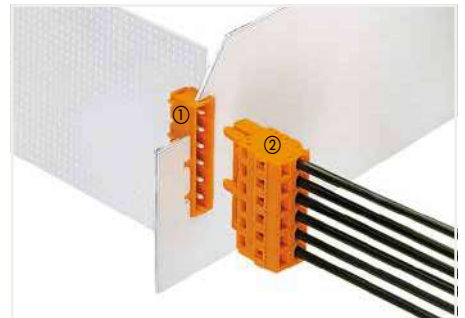
① Male header with angled solder pins
② Angled female connector, conductor entry opposite of latches



①*Male header with angled solder pins
②*Angled female connector, conductor entry same direction as latches

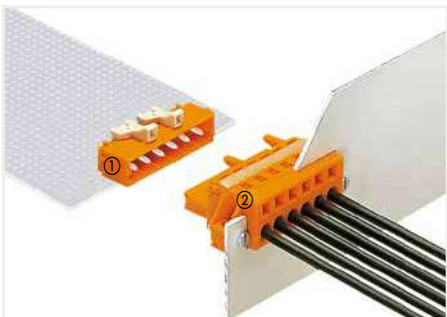


Panel feedthrough male header in small cutout
Coding via coding slots:
Leave the coding finger(s) on female connector in coding slot position(s).
Break off remaining fingers.

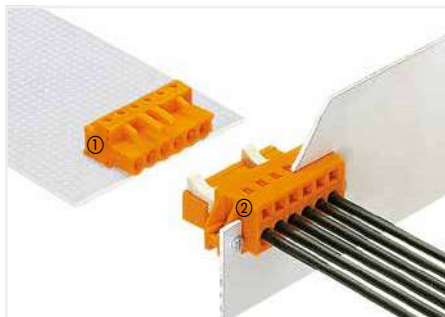


①*Male header with angled solder pins
②*Female connector with CAGE CLAMP®

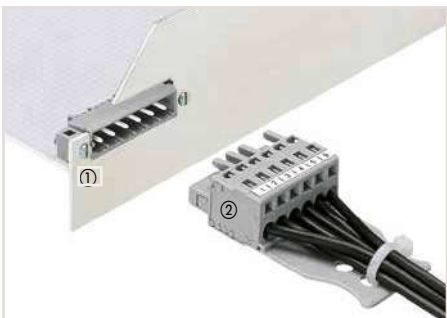
Angled female connectors with mounting flanges are also available in version "100 % protected against mismatching."



①*Male header with angled solder pins
②*Female connector with mounting flanges and CAGE CLAMP®



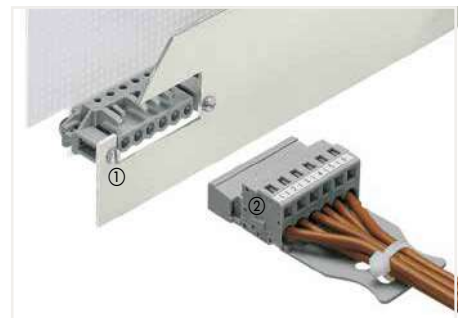
①*Female header with angled solder pins
②*Male connector with mounting flanges and CAGE CLAMP®



① Male header with mounting flanges and solder pins
② Female connector with CAGE CLAMP®
Angled female connectors with mounting flanges are also available in version "100 % protected against mismatching."



①*Female header with feedthrough flanges and solder pins
②*Male connector with CAGE CLAMP®



①*Female header with spacers and solder pins
②*Male connector with CAGE CLAMP®

*also available in version "100 % protected against mismatching" (see Section 5); Cutout dimensions, see page 510

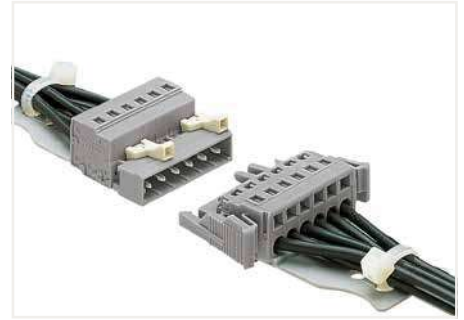
Application Examples

Connectors for Different Mounting Types and Rail-Mount Connectors

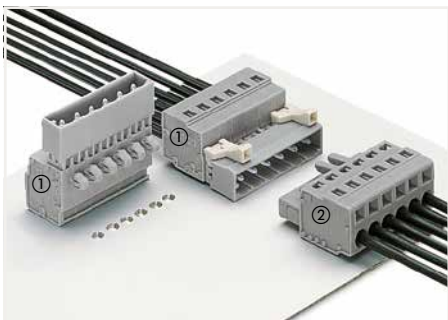
MCS MIDI Classic



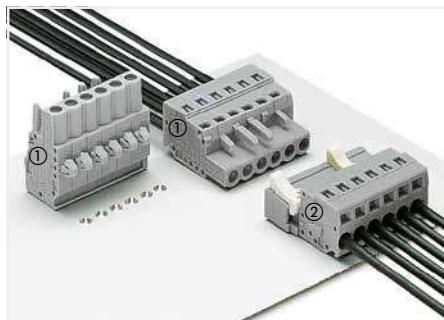
①*Male connector with CAGE CLAMP®
②*Female connector with CAGE CLAMP®



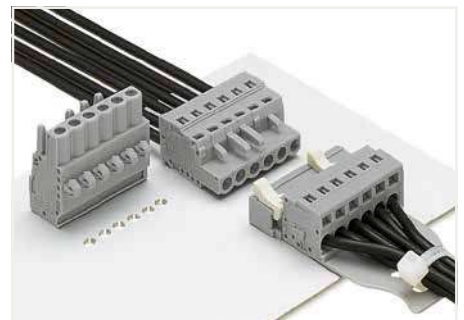
Male connector with CAGE CLAMP® and strain relief plate
Female connector with locking levers and strain relief plate



①*Male connector with snap-in mounting feet and CAGE CLAMP®
②*Female connector with CAGE CLAMP®



①*Female connector with snap-in mounting feet and CAGE CLAMP®
②*Male connector with CAGE CLAMP®



Male connector with CAGE CLAMP® and strain relief plate

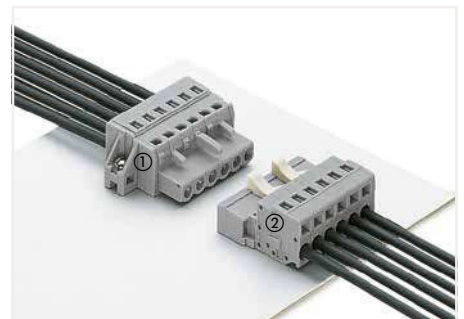
9



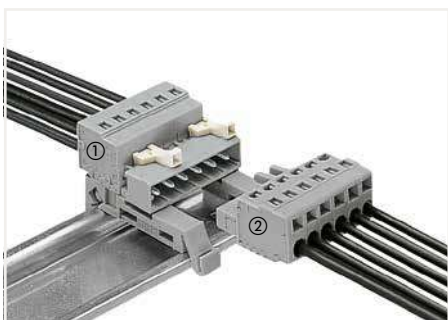
①*Male connector with mounting flanges and CAGE CLAMP®
②*Female connector with CAGE CLAMP®



①*Male connector with mounting flanges and CAGE CLAMP®
②*Angled female connector, conductor entry same direction as latches



①*Female connector with mounting flanges and CAGE CLAMP®
②*Male connector with CAGE CLAMP®



①*Male connector with snap-in mounting feet and CAGE CLAMP®, on DIN-35 rail-mount adapters**
②*Female connector with CAGE CLAMP®
For 5/5.08 mm pin spacing, starting with 3 poles
For 7.5/7.62 mm pin spacing, starting with 2 poles



① Double-pin male connector with mounting feet, for DIN-35 rail
② Female connector with CAGE CLAMP®
③ Angled female connector with CAGE CLAMP®, conductor exit same direction as latches



① Double-pin male connector with mounting feet, for DIN-35 rail
② Female connectors with locking levers and CAGE CLAMP®

**Distance between mounting adapters: 30 ... 40 mm

*also available in version "100 % protected against mismatching" (see Section 5)

Application Examples

Connectors for Front-Entry, Rail-Mount Terminal Blocks

MCS MIDI Classic



①*Male connector with straight, long contact pins
②*Female connector with CAGE CLAMP®



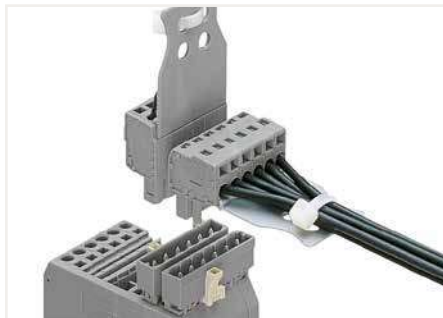
①*Male connectors with straight, long contact pins
②*Female connectors with CAGE CLAMP®



①*Male connector with straight, long contact pins
②*Angled female connector, conductor entry same direction as latches



①*Male connectors with straight, long contact pins
②*Angled female connector, conductor entry same direction as latches
③*Female connector with CAGE CLAMP®



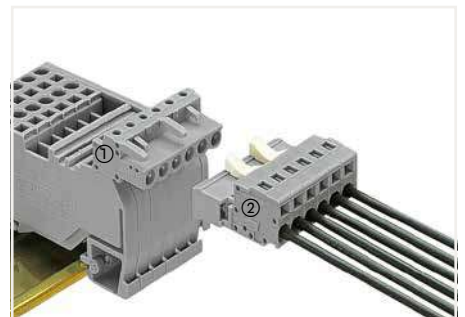
Female connector with strain relief plate
Angled female connector with strain relief plate



①*Female connector with straight, long contact pins
②*Male connector with CAGE CLAMP®



①*Male connector with straight, long contact pins
②*Female connector with straight, long contact pins
③*Angled female connector, conductor entry same direction as latches
④*Male connector with CAGE CLAMP®



①*Female connector with angled, long contact pins
②*Male connector with CAGE CLAMP®



①*Female connector with angled, long contact pins
②*Female connector with straight, long contact pins
③*Male connectors with CAGE CLAMP®

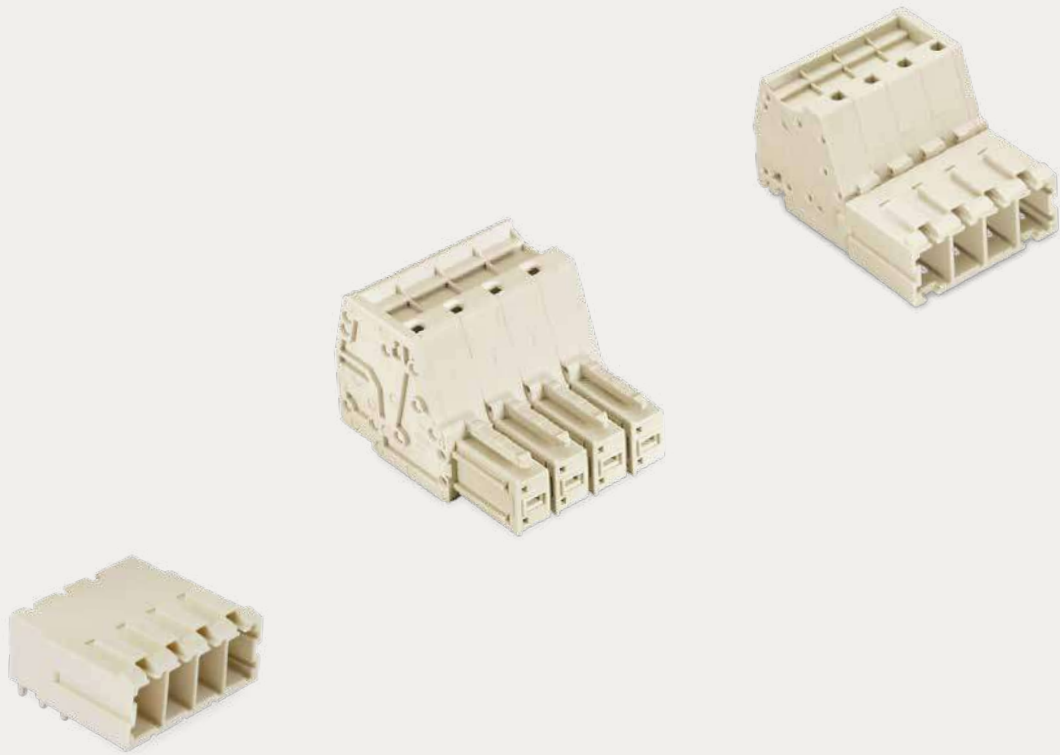


①*Female connector with angled, long contact pins
②*Male connector with straight, long contact pins
③*Male connector with CAGE CLAMP®
④*Female connector with CAGE CLAMP®



① Female connector with angled, long contact pins
② Male connector with straight, long contact pins
③ Male connector with CAGE CLAMP®
④ Angled female connector, conductor entry opposite of latches











*also available in version "100 % protected against mismatching" (see Section 5)



WAGO MULTI CONNECTION SYSTEM MAXI

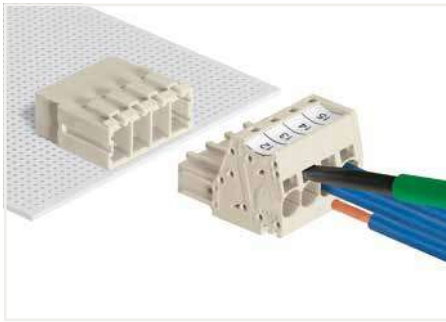
Connectors / Headers

WAGO MULTI CONNECTION SYSTEM MAXI 6 ▶ Pin Spacing: 7.62 mm ▶ 10 mm²WAGO MULTI CONNECTION SYSTEM MAXI 16 ▶ Pin Spacing: 10.16 mm ▶ 16 mm²

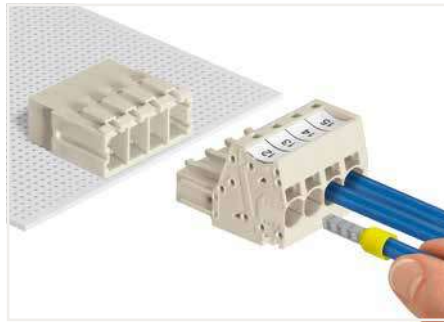
		Nominal Cross-Section	Page
	MCS MAXI 6 1-Conductor Female Connectors ▶ Actuation type: Operating tool ▶ CAGE CLAMP®	7,62 mm	752
	MCS MAXI 6 1-Conductor Female Connectors ▶ Actuation type: Lever ▶ Push-in CAGE CLAMP®	7,62 mm	754
	MCS MAXI 6 1-Conductor Male Connectors ▶ Actuation type: Operating tool ▶ CAGE CLAMP®	7,62 mm	758
	MCS MAXI 6 1-Conductor Male Connectors ▶ Actuation type: Lever ▶ Push-in CAGE CLAMP®	7,62 mm	760
	MCS MAXI 6 THT Female Headers	7,62 mm	762
	MCS MAXI 6 THT Male Headers	7,62 mm	764
	MCS MAXI 16 1-Conductor Female Connectors ▶ Actuation type: Lever ▶ Push-in CAGE CLAMP®	10,16 mm	768
	MCS MAXI 16 1-Conductor Male Connectors ▶ Actuation type: Lever ▶ Push-in CAGE CLAMP®	10,16 mm	772
	MCS MAXI 16 THT Male Headers	10,16 mm	774
	MCS MAXI Accessories Accessories and Tools		776 861

MCS MAXI 6

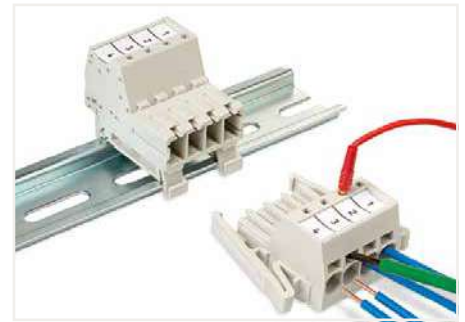
Description and Installation



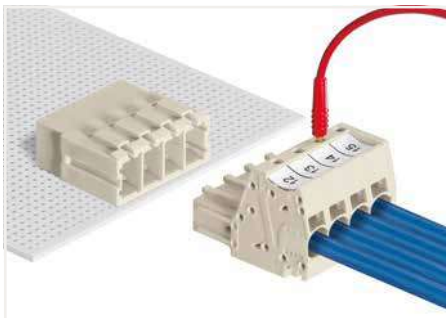
Inserting fine-stranded conductors via (5.5 x 0.8) mm screwdriver.



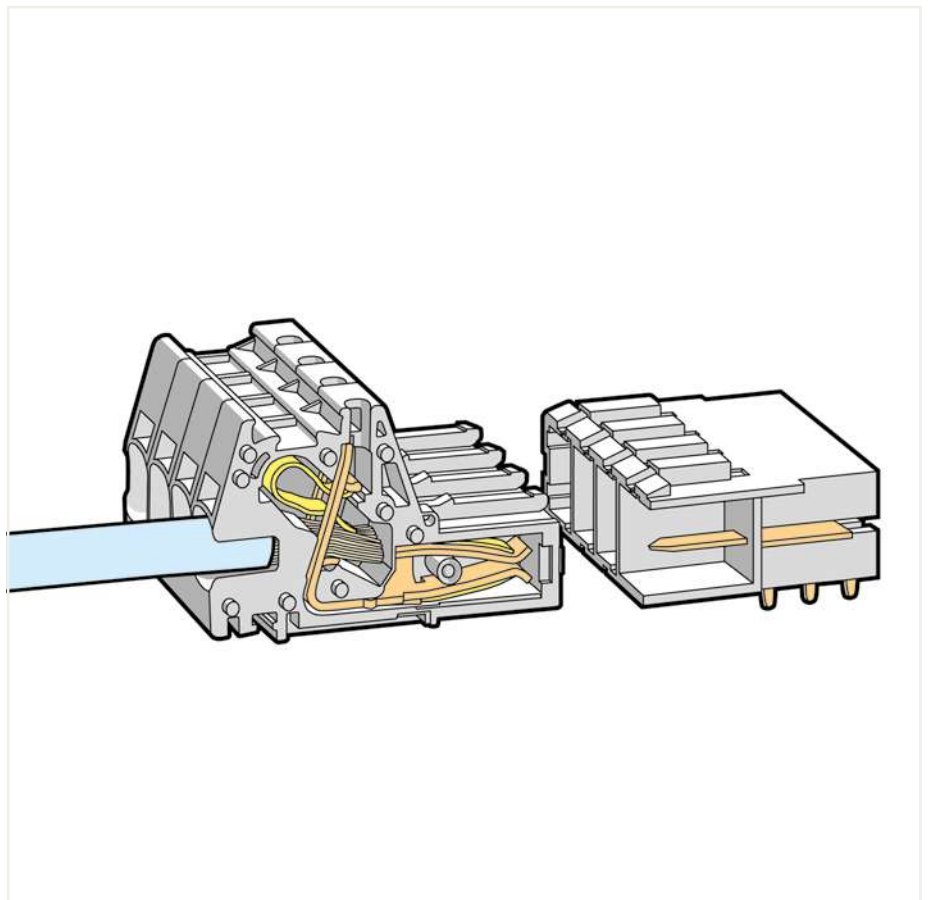
Inserting solid and ferruled conductors via push-in termination.



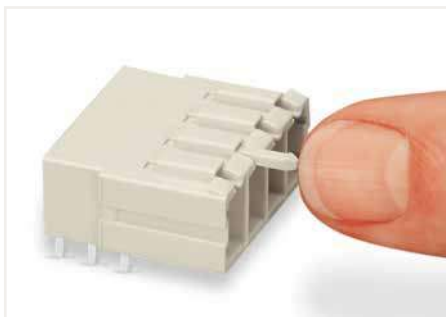
Male connector mounted on a DIN-35 rail via integrated mounting adapter.



Testing with 2 mm Ø test plug.



Break or cut off coding pin from female connector.



Insert coding pin into male header (break first) until it engages.

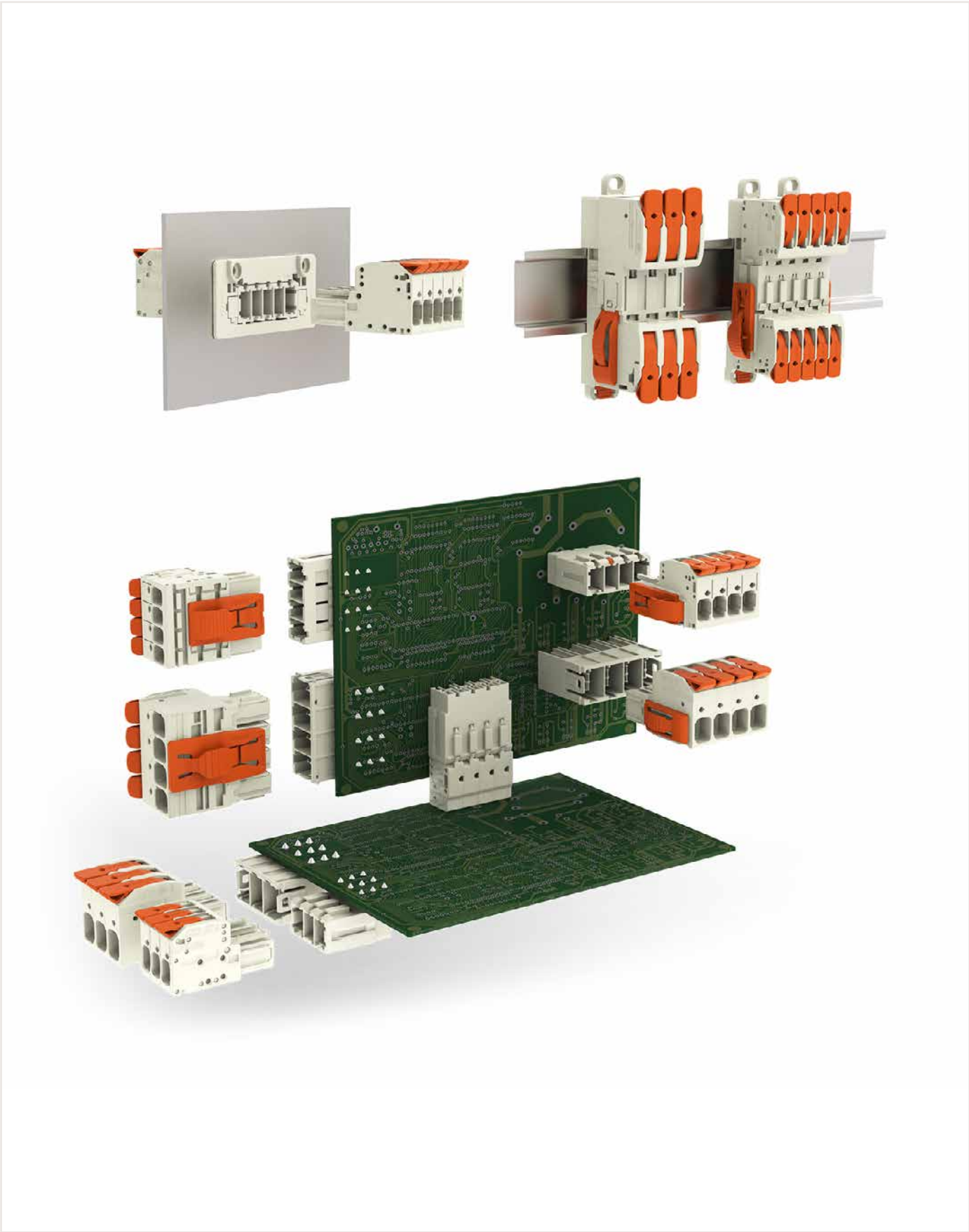


Marking via WMB or Mini-WSB marking strips.



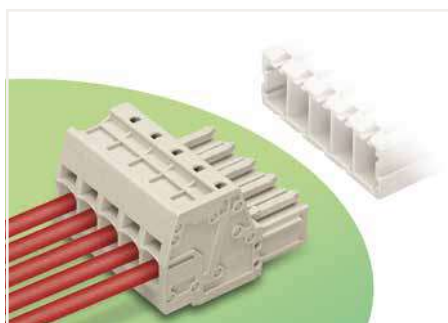
Labeling via direct marking.

10

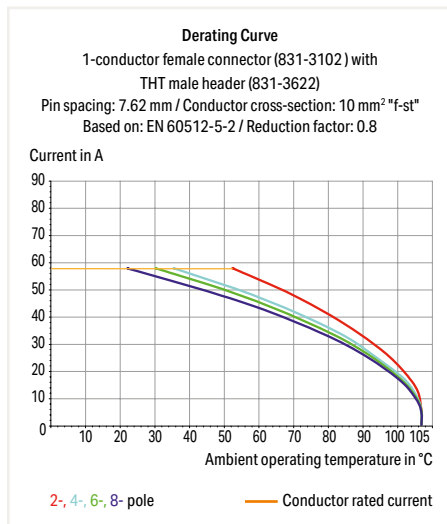


1-conductor female plug ▶ MCS MAXI 6 ▶ 831 Series

Pin spacing: 7.62 mm / 0.3 inch ▶ Actuation type: Operating tool ▶ Push-in CAGE CLAMP® ▶ Color: light gray



- Universal connection for all conductor types
- Push-in termination of solid or ferruled conductors
- Integrated test ports for 2 mm Ø test plugs
- 600 V UL per UL 1059
- 100 % protected against mismatching
- Coding via coding fingers



Electrical Data

Ratings per	IEC/EN 60664-1		
Overvoltage category	III	III	II
Pollution degree	3	2	2
Rated voltage	800 V	1000 V	1000 V
Rated impulse voltage	8 kV	8 kV	8 kV
Rated current	41 A	41 A	41 A
Approbations per	UL 1059		
Use group	B	C	D
Rated voltage	-	600 V	-
Rated current	-	42 A	-
Approbations per	CSA		
Use group	B	C	D
Rated voltage	-	600 V	-
Rated current	-	41 A	-

Connection Data

Connection technology	Push-in CAGE CLAMP®
Strip length	13 ... 15 mm / 0.51 ... 0.59 inch
Solid conductor	0.5 ... 10 mm ² / 20 ... 8 AWG
Fine-stranded conductor	0.5 ... 10 mm ² / 20 ... 8 AWG
Fine-stranded conductor; with insulated ferrule	0.5 ... 6 mm ²
Fine-stranded conductor; with uninsulated ferrule	0.5 ... 6 mm ²

Material Data

Material group	I
Insulation material	Polyamide (PA66)
Flammability class per UL94	V0
Clamping spring material	Chrome nickel spring steel (CrNi)
Contact material	Electrolytic copper (E _{cu})
Contact plating	Tin-plated

Environmental Requirements

Limit temperature range	-60 ... +105 °C
-------------------------	-----------------

The MCS – MULTI CONNECTION SYSTEM includes connectors without breaking capacity in accordance with DIN EN 61984. When used as intended, these connectors must not be connected/disconnected when live or under load. The circuit design should ensure header pins, which can be touched, are not live when unmated.

Ferrule	Page 879
Marking	Page 779
Strain relief	Page 776
Test and measurement	Page 886
Tool	Page 870
Direct marking	Page 784
See technical section for further information	
For approvals and corresponding ratings, visit www.wago.com	

1-conductor female plug ▶ MCS MAXI 6 ▶ 831 Series

Pin spacing: 7.62 mm / 0.3 inch ▶ Actuation type: Operating tool ▶ Push-in CAGE CLAMP® ▶ Color: light gray

Locking of plug-in connection: Locking lever

Locking of plug-in connection: Screw flange



831-3104



831-3104/037-000



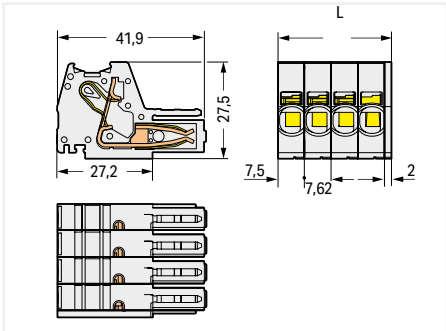
831-3102/107-000

Pole No.	Item No.	PU
2	831-3102	48
3	831-3103	48
4	831-3104	24
5	831-3105	24
6	831-3106	24
7	831-3107	12
8	831-3108	12
9	831-3109	12

Pole No.	Item No.	PU
2	831-3102/037-000	24
3	831-3103/037-000	24
4	831-3104/037-000	12
5	831-3105/037-000	12
6	831-3106/037-000	12
7	831-3107/037-000	12
8	831-3108/037-000	12
9	831-3109/037-000	12

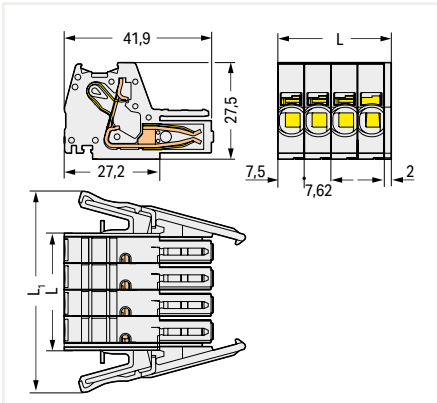
Pole No.	Item No.	PU
2	831-3102/107-000	24
3	831-3103/107-000	24
4	831-3104/107-000	24
5	831-3105/107-000	24
6	831-3106/107-000	12
7	831-3107/107-000	12
8	831-3108/107-000	12
9	831-3109/107-000	12

Dimensions in mm



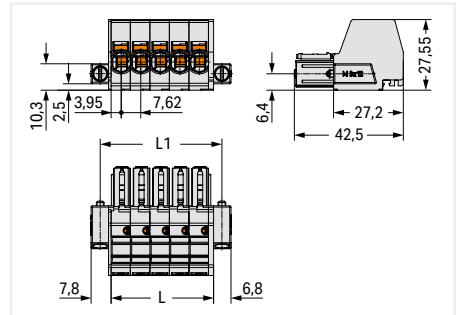
$L = (\text{pole no.} - 1) \times \text{pin spacing} + 9.5 \text{ mm}$

Dimensions in mm



$L = (\text{pole no.} - 1) \times \text{pin spacing} + 10.5 \text{ mm}$
 $L_1 = L + 23.7 \text{ mm}$

Dimensions in mm



$L = \text{pole no.} \times \text{pin spacing} + 1.9 \text{ mm}$
 $L_1 = L + 7.5 \text{ mm}$

PU = Packaging Unit; SPU = Subpackaging Unit

Other versions (or variants) can be requested from WAGO Sales or configured at <https://configurator.wago.com/>.

- Other pole numbers

1-conductor female plug ▶ MCS MAXI 6 ▶ 831 Series

Pin spacing: 7.62 mm / 0.3 inch ▶ Actuation type: Lever ▶ Push-in CAGE CLAMP® ▶ Color: light gray



- Intuitive and tool-free lever actuation
- Universal connection for all conductor types
- Push-in terminations of solid and ferruled conductors
- Test slot 0° and 90° to conductor entry
- 100 % protected against mismatching
- Coding via coding fingers

Electrical Data

Ratings per		IEC/EN 60664-1		
Overvoltage category		III	III	II
Pollution degree		3	2	2
Rated voltage		800 V	1000 V	1000 V
Rated impulse voltage		8 kV	8 kV	8 kV
Rated current		41 A	41 A	41 A
Approbations per		UL 1059		
Use group		B	C	D
Rated voltage		-	600 V	600 V
Rated current		-	35 A	5 A
Approbations per		CSA		
Use group		B	C	D
Rated voltage		-	600 V	600 V
Rated current		-	35 A	5 A

Connection Data

Connection technology	Push-in CAGE CLAMP®
Strip length	11 ... 13 mm / 0.43 ... 0.51 inch
Solid conductor	0.5 ... 10 mm ² / 20 ... 8 AWG
Fine-stranded conductor	0.5 ... 10 mm ² / 20 ... 8 AWG
Fine-stranded conductor; with insulated ferrule	0.5 ... 6 mm ²
Fine-stranded conductor; with uninsulated ferrule	0.5 ... 6 mm ²

Material Data

Material group	I
Insulation material	Polyamide (PA66)
Flammability class per UL94	V0
Clamping spring material	Chrome nickel spring steel (CrNi)
Contact material	Electrolytic copper (E _{cu})
Contact plating	Tin-plated

Environmental Requirements

Limit temperature range	-60 ... +105 °C
-------------------------	-----------------

The MCS – MULTI CONNECTION SYSTEM includes connectors without breaking capacity in accordance with DIN EN 61984. When used as intended, these connectors must not be connected/disconnected when live or under load. The circuit design should ensure header pins, which can be touched, are not live when unmated.

Ferrule [Page 879](#)

Mounting adapter [Page 782](#)

See technical section for further information

For approvals and corresponding ratings, visit www.wago.com

1-conductor female plug ▶ MCS MAXI 6 ▶ 831 Series

Pin spacing: 7.62 mm / 0.3 inch ▶ Actuation type: Lever ▶ Push-in CAGE CLAMP® ▶ Color: light gray

Locking of plug-in connection: Locking lever

Locking of plug-in connection: Lateral locking lever



831-1102



831-1102/037-000

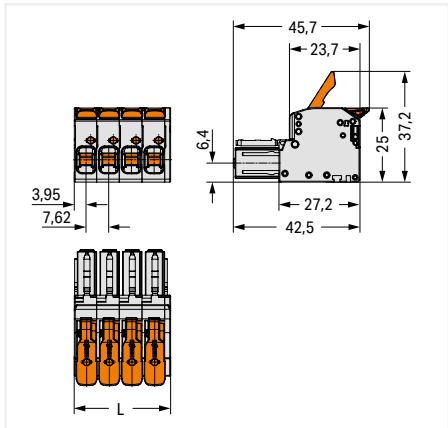


831-1102/038-000

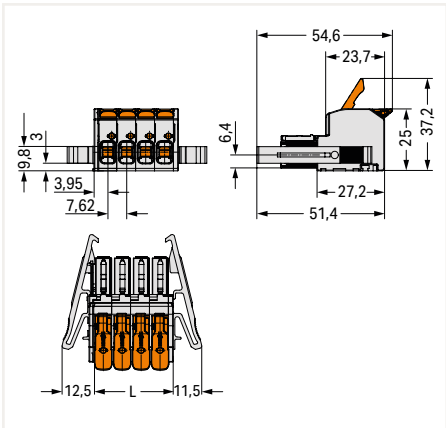
Pole No.	Item No.	PU
2	831-1102	48
3	831-1103	48
4	831-1104	24
5	831-1105	24
6	831-1106	24
7	831-1107	12
8	831-1108	12
9	831-1109	12

Pole No.	Item No.	PU
2	831-1102/037-000	24
3	831-1103/037-000	24
4	831-1104/037-000	12
5	831-1105/037-000	12
6	831-1106/037-000	12
7	831-1107/037-000	12
8	831-1108/037-000	12
9	831-1109/037-000	12

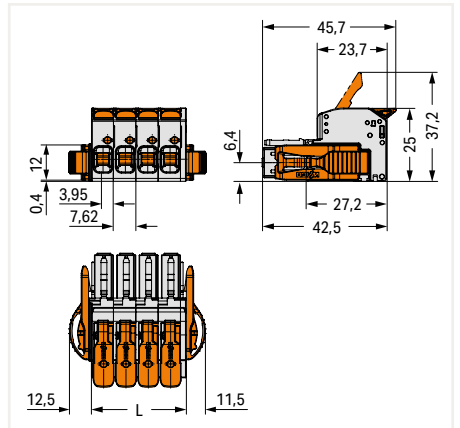
Pole No.	Item No.	PU
2	831-1102/038-000	24
3	831-1103/038-000	24
4	831-1104/038-000	12
5	831-1105/038-000	12
6	831-1106/038-000	12
7	831-1107/038-000	12
8	831-1108/038-000	12
9	831-1109/038-000	12



L = pole no. x pin spacing + 1.9 mm



L = pole no. x pin spacing + 1.9 mm



L = pole no. x pin spacing + 1.9 mm

PU = Packaging Unit; SPU = Subpackaging Unit; Dimensions in mm

Other versions (or variants) can be requested from WAGO Sales or configured at <https://configurator.wago.com/>.

- Other colors

1-conductor female plug ▶ MCS MAXI 6 ▶ 831 Series

Pin spacing: 7.62 mm / 0.3 inch ▶ Actuation type: Lever ▶ Push-in CAGE CLAMP® ▶ Color: light gray

Locking of plug-in connection: Center locking lever

Mounting type: DIN-35 rail; Panel mounting

Mounting type: DIN-35 rail; Panel mounting ▶ Locking of plug-in connection: Lateral locking lever



831-1102/322-000



831-1102/306-000

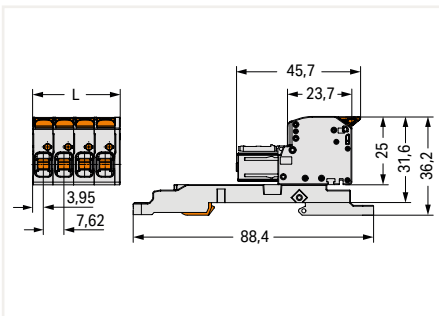
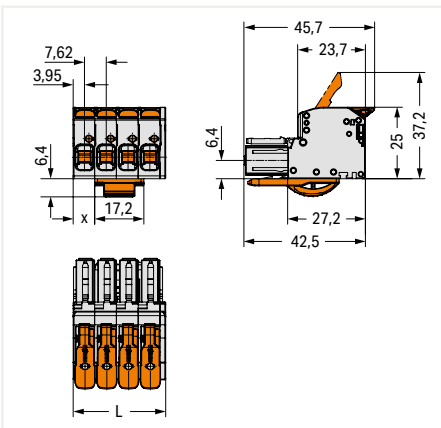


831-1102/038-000/306-000

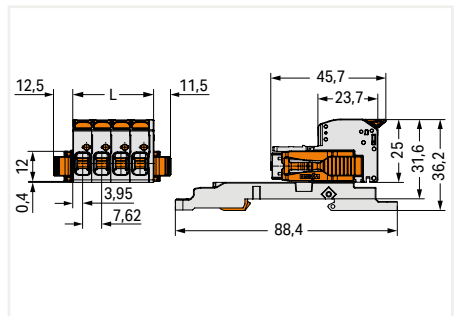
Pole No.	Item No.	PU
2	831-1102/322-000	24
6	831-1106/322-000	12
7	831-1107/322-000	6
8	831-1108/322-000	6
9	831-1109/322-000	6

Pole No.	Item No.	PU
2	831-1102/306-000	12
3	831-1103/306-000	12
4	831-1104/306-000	6
5	831-1105/306-000	6
6	831-1106/306-000	6
7	831-1107/306-000	6
8	831-1108/306-000	6
9	831-1109/306-000	6

Pole No.	Item No.	PU
2	831-1102/038-000/306-000	12
3	831-1103/038-000/306-000	12
4	831-1104/038-000/306-000	6
5	831-1105/038-000/306-000	6
6	831-1106/038-000/306-000	6
7	831-1107/038-000/306-000	6
8	831-1108/038-000/306-000	6
9	831-1109/038-000/306-000	6



L = pole no. x pin spacing + 1.9 mm



L = pole no. x pin spacing + 1.9 mm

10

- L = pole no. x pin spacing + 1.9 mm
- Pole No. 2: x = 0.1 mm
- Pole No. 3: x = 7.5 mm
- Pole No. 4: x = 7.5 mm
- Pole No. 5: x = 15.12 mm
- Pole No. 6: x = 15.12 mm
- Pole No. 7: x = 22.74 mm
- Pole No. 8: x = 22.74 mm
- Pole No. 9: x = 30.36 mm

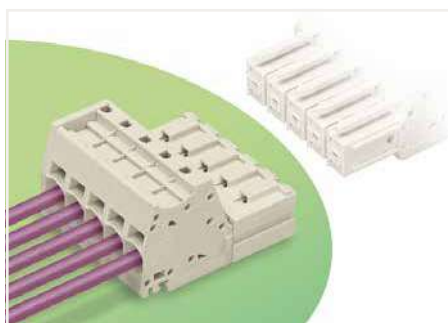
PU = Packaging Unit; SPU = Subpackaging Unit; Dimensions in mm

Other versions (or variants) can be requested from WAGO Sales or configured at <https://configurator.wago.com/>.

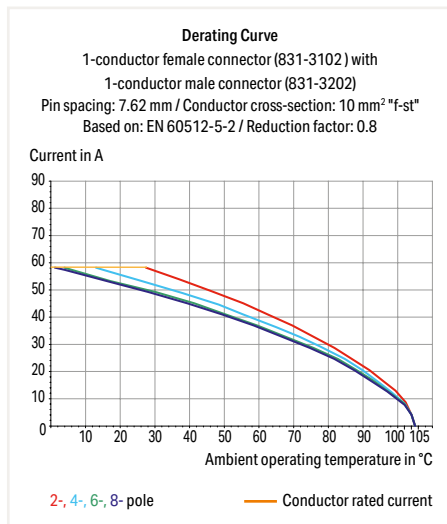
- Other colors

1-conductor male connector ▶ MCS MAXI 6 ▶ 831 Series

Pin spacing: 7.62 mm / 0.3 inch ▶ Actuation type: Operating tool ▶ Push-in CAGE CLAMP® ▶ Color: light gray



- Universal connection for all conductor types
- Push-in termination of solid or ferruled conductors
- Integrated test ports for 2 mm Ø test plugs
- 600 V UL per UL 1059
- 100 % protected against mismatching
- Coding via coding fingers



Electrical Data

Ratings per	IEC/EN 60664-1		
Overtoltage category	III	III	II
Pollution degree	3	2	2
Rated voltage	800 V	1000 V	1000 V
Rated impulse voltage	8 kV	8 kV	8 kV
Rated current	41 A	41 A	41 A
Approbations per	UL 1059		
Use group	B	C	D
Rated voltage	-	600 V	-
Rated current	-	42 A	-
Approbations per	CSA		
Use group	B	C	D
Rated voltage	-	600 V	-
Rated current	-	41 A	-

Connection Data

Connection technology	Push-in CAGE CLAMP®
Strip length	13 ... 15 mm / 0.51 ... 0.59 inch
Solid conductor	0.5 ... 10 mm ² / 20 ... 8 AWG
Fine-stranded conductor	0.5 ... 10 mm ² / 20 ... 8 AWG
Fine-stranded conductor; with insulated ferrule	0.5 ... 6 mm ²
Fine-stranded conductor; with uninsulated ferrule	0.5 ... 6 mm ²

Material Data

Material group	I
Insulation material	Polyamide (PA66)
Flammability class per UL94	V0
Clamping spring material	Chrome nickel spring steel (CrNi)
Contact material	Electrolytic copper (E _{cu})
Contact plating	Tin-plated

Environmental Requirements

Limit temperature range	-60 ... +105 °C
-------------------------	-----------------

The MCS – MULTI CONNECTION SYSTEM includes connectors without breaking capacity in accordance with DIN EN 61984. When used as intended, these connectors must not be connected/disconnected when live or under load. The circuit design should ensure header pins, which can be touched, are not live when unmated.

Coding	Page 777
Ferrule	Page 879
Marking	Page 779
Mounting	Page 778
Strain relief	Page 776
Test and measurement	Page 886
Tool	Page 870
Direct marking	Page 784
See technical section for further information	
For approvals and corresponding ratings, visit www.wago.com	

1-conductor male connector ▶ MCS MAXI 6 ▶ 831 Series

Pin spacing: 7.62 mm / 0.3 inch ▶ Actuation type: Operating tool ▶ Push-in CAGE CLAMP® ▶ Color: light gray

Locking of plug-in connection: Threaded flange

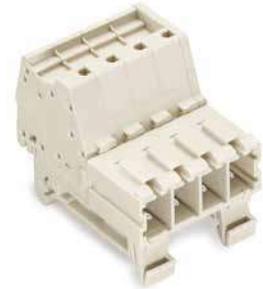
Mounting type: DIN-35 rail



831-3202



831-3202/109-000



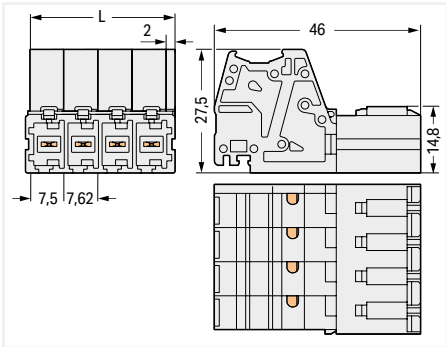
831-3204/007-000

Pole No.	Item No.	PU
2	831-3202	48
3	831-3203	24
4	831-3204	24
5	831-3205	24
6	831-3206	24
7	831-3207	12
8	831-3208	12
9	831-3209	12

Pole No.	Item No.	PU
2	831-3202/109-000	24
3	831-3203/109-000	24
4	831-3204/109-000	24
5	831-3205/109-000	24
6	831-3206/109-000	12
7	831-3207/109-000	12
8	831-3208/109-000	12
9	831-3209/109-000	12

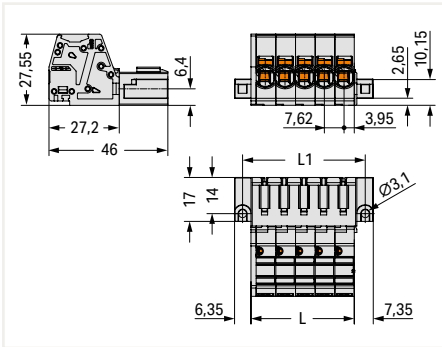
Pole No.	Item No.	PU
2	831-3202/007-000	48
3	831-3203/007-000	48
4	831-3204/007-000	24
5	831-3205/007-000	24
6	831-3206/007-000	24
7	831-3207/007-000	12
8	831-3208/007-000	12
9	831-3209/007-000	12

Dimensions in mm



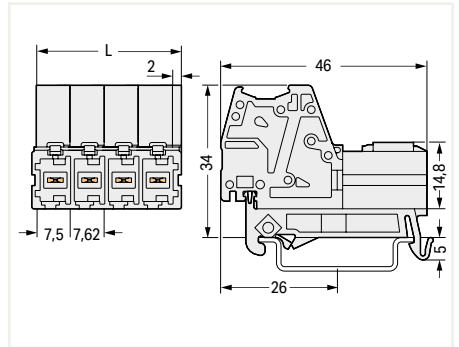
$L = (\text{pole no.} - 1) \times \text{pin spacing} + 9.5 \text{ mm}$

Dimensions in mm



$L = \text{pole no.} \times \text{pin spacing} + 1.9 \text{ mm}$
 $L1 = L + 7.5 \text{ mm}$

Dimensions in mm



$L = (\text{pole no.} - 1) \times \text{pin spacing} + 9.5 \text{ mm}$

PU = Packaging Unit; SPU = Subpackaging Unit

Other versions (or variants) can be requested from WAGO Sales or configured at <https://configurator.wago.com/>.

- Other pole numbers

1-conductor male connector ▶ MCS MAXI 6 ▶ 831 Series

Pin spacing: 7.62 mm / 0.3 inch ▶ Actuation type: Lever ▶ Push-in CAGE CLAMP® ▶ Color: light gray



- Intuitive and tool-free lever actuation
- Universal connection for all conductor types
- Push-in terminations of solid and ferruled conductors
- Test slot 0° and 90° to conductor entry
- 100 % protected against mismatching
- Coding via coding fingers

Electrical Data

Ratings per	IEC/EN 60664-1		
	III	III	II
Overvoltage category	3	2	2
Pollution degree	3	2	2
Rated voltage	800 V	1000 V	1000 V
Rated impulse voltage	8 kV	8 kV	8 kV
Rated current	41 A	41 A	41 A

Connection Data

Connection technology	Push-in CAGE CLAMP®
Strip length	11 ... 13 mm / 0.43 ... 0.51 inch
Solid conductor	0.5 ... 10 mm ² / 20 ... 8 AWG
Fine-stranded conductor	0.5 ... 10 mm ² / 20 ... 8 AWG
Fine-stranded conductor; with insulated ferrule	0.5 ... 6 mm ²
Fine-stranded conductor; with uninsulated ferrule	0.5 ... 6 mm ²

Material Data

Material group	I
Insulation material	Polyamide (PA66)
Flammability class per UL94	V0
Clamping spring material	Chrome nickel spring steel (CrNi)
Contact material	Electrolytic copper (E _{Cu})
Contact plating	Tin-plated

Environmental Requirements

Limit temperature range	-60 ... +105 °C
-------------------------	-----------------

Available April 2021

The MCS – MULTI CONNECTION SYSTEM includes connectors without breaking capacity in accordance with DIN EN 61984. When used as intended, these connectors must not be connected/disconnected when live or under load. The circuit design should ensure header pins, which can be touched, are not live when unmated.

Ferrule	Page 879
---------	----------

Mounting adapter	Page 782
------------------	----------

See technical section for further information

For approvals and corresponding ratings, visit www.wago.com

1-conductor male connector ▶ MCS MAXI 6 ▶ 831 Series

Pin spacing: 7.62 mm / 0.3 inch ▶ Actuation type: Lever ▶ Push-in CAGE CLAMP® ▶ Color: light gray

Mounting type: DIN-35 rail; Panel mounting

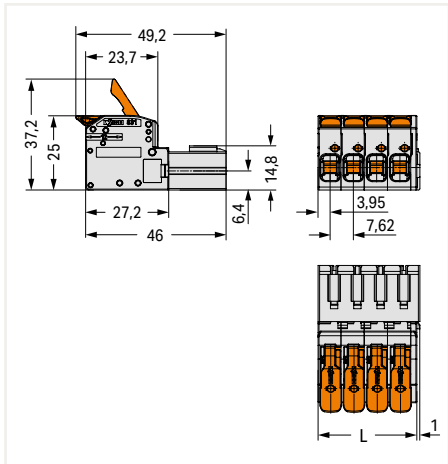


831-1202

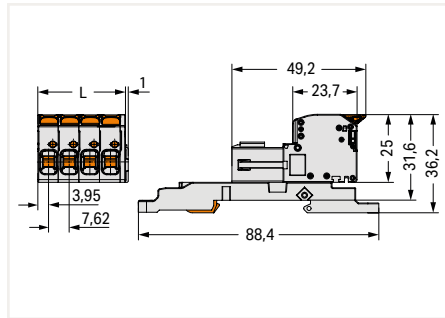
831-1202/306-000

Pole No.	Item No.	PU
2	831-1202	48
3	831-1203	24
4	831-1204	24
5	831-1205	24
6	831-1206	24
7	831-1207	12
8	831-1208	12
9	831-1209	12

Pole No.	Item No.	PU
2	831-1202/306-000	12
3	831-1203/306-000	12
4	831-1204/306-000	6
5	831-1205/306-000	6
6	831-1206/306-000	6
7	831-1207/306-000	6
8	831-1208/306-000	6
9	831-1209/306-000	6



L = pole no. x pin spacing + 1.9 mm



L = pole no. x pin spacing + 1.9 mm

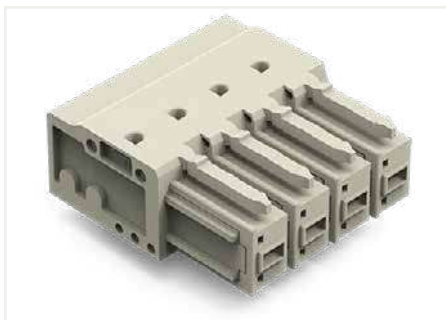
PU = Packaging Unit; SPU = Subpackaging Unit; Dimensions in mm

Other versions (or variants) can be requested from WAGO Sales or configured at <https://configurator.wago.com/>.

- Other colors

THT female header ▶ MCS MAXI 6 ▶ 831 Series

Pin spacing: 7.62 mm / 0.3 inch ▶ Solder pin dimensions: 1 x 1.2 mm ▶ Color: light gray



- Female headers may be mounted horizontally or vertically via straight or angled solder pins
- Three solder pins per pole provide high electrical and mechanical stability
- 100 % protected against mismatching
- Coding via coding fingers

Electrical Data

Ratings per	IEC/EN 60664-1		
Overvoltage category	III	III	II
Pollution degree	3	2	2
Rated voltage	500 V	630 V	1000 V
Rated impulse voltage	6 kV	6 kV	6 kV
Rated current	41 A	41 A	41 A

Material Data

Material group	I
Insulation material	Polyamide (PA66)
Flammability class per UL94	V0
Contact material	Electrolytic copper (E _{cu})
Contact plating	Tin-plated

Mechanical Data

Solder pin arrangement	Over the entire female connector (in-line)
Solder pin length	4 mm
Solder pin dimensions	1 x 1.2 mm
Drilled hole diameter with tolerance	1.7 ^(+0.1) mm

Environmental Requirements

Limit temperature range	-60 ... +105 °C
-------------------------	-----------------

The MCS – MULTI CONNECTION SYSTEM includes connectors without breaking capacity in accordance with DIN EN 61984. When used as intended, these connectors must not be connected/disconnected when live or under load. The circuit design should ensure header pins, which can be touched, are not live when unmated.

See technical section for further information

For approvals and corresponding ratings, visit www.wago.com

THT female header ▶ MCS MAXI 6 ▶ 831 Series

Pin spacing: 7.62 mm / 0.3 inch ▶ Solder pin dimensions: 1 x 1.2 mm ▶ Color: light gray

Mating direction to the PCB: 0°

Mating direction to the PCB: 90°

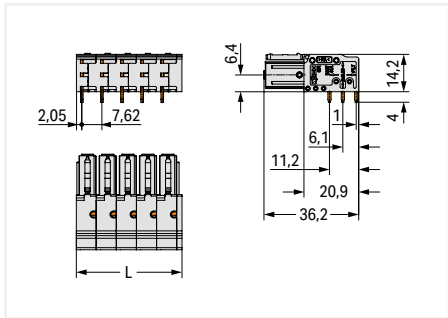


831-3522

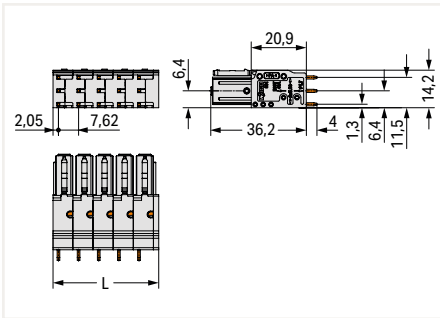
831-3502

Pole No.	Item No.	PU
2	831-3522	48
3	831-3523	24
4	831-3524	24
5	831-3525	24
6	831-3526	24
7	831-3527	12
8	831-3528	12
9	831-3529	12

Pole No.	Item No.	PU
2	831-3502	48
3	831-3503	24
4	831-3504	24
5	831-3505	24
6	831-3506	24
7	831-3507	12
8	831-3508	12
9	831-3509	12



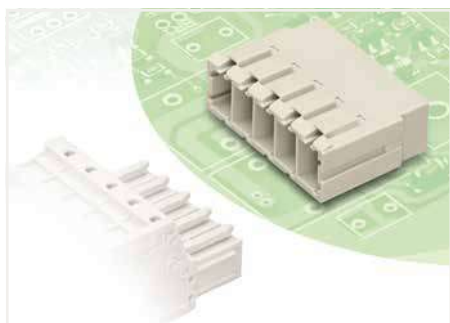
L = pole no. x pin spacing + 1.9 mm



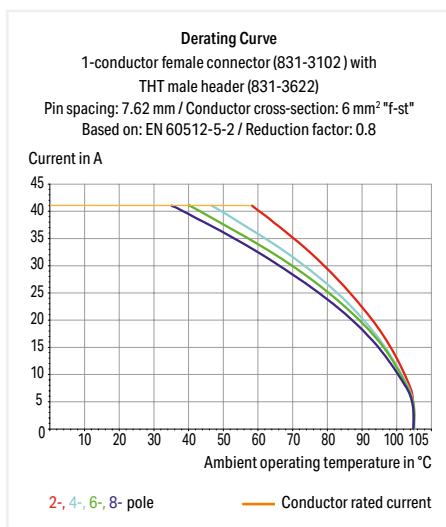
L = pole no. x pin spacing + 1.9 mm

THT male header ▶ MCS MAXI 6 ▶ 831 Series

Pin spacing: 7.62 mm / 0.3 inch ▶ Solder pin dimensions: 1 x 1.2 mm ▶ Color: light gray



- Male headers may be mounted horizontally or vertically via straight or angled solder pins
- Three solder pins per pole provide high electrical and mechanical stability
- 100 % protected against mismatching
- Coding via coding fingers

**Electrical Data**

Ratings per	IEC/EN 60664-1		
Overvoltage category	III	III	II
Pollution degree	3	2	2
Rated voltage	500 V	630 V	1000 V
Rated impulse voltage	6 kV	6 kV	6 kV
Rated current	41 A	41 A	41 A
Approbations per	UL 1059		
Use group	B	C	D
Rated voltage	-	300 V	600 V
Rated current	-	42 A	5 A
Approbations per	CSA		
Use group	B	C	D
Rated voltage	-	300 V	600 V
Rated current	-	41 A	5 A

Material Data

Material group	I
Insulation material	Polyamide (PA66)
Flammability class per UL94	V0
Contact material	Electrolytic copper (E _{cu})
Contact plating	Tin-plated

Mechanical Data

Solder pin arrangement	Over the entire male connector (in-line)
Solder pin length	4 mm
Solder pin dimensions	1 x 1.2 mm
Drilled hole diameter with tolerance	1.7 ^(+0.1) mm

Environmental Requirements

Limit temperature range	-60 ... +105 °C
-------------------------	-----------------

The MCS – MULTI CONNECTION SYSTEM includes connectors without breaking capacity in accordance with DIN EN 61984. When used as intended, these connectors must not be connected/disconnected when live or under load. The circuit design should ensure header pins, which can be touched, are not live when unmated.

Coding Page 777

See technical section for further information

For approvals and corresponding ratings, visit www.wago.com

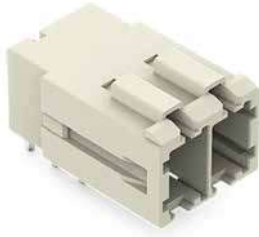
THT male header ▶ MCS MAXI 6 ▶ 831 Series

Pin spacing: 7.62 mm / 0.3 inch ▶ Solder pin dimensions: 1 x 1.2 mm ▶ Color: light gray

Mating direction to the PCB: 0°

Mating direction to the PCB: 180°

Mating direction to the PCB: 90°



831-3622

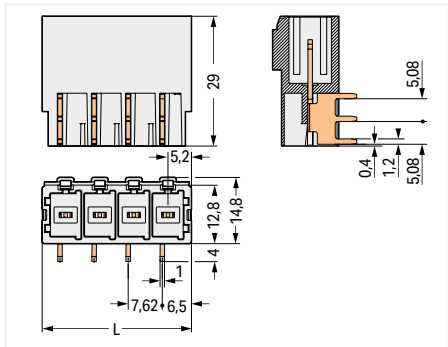
831-3642

831-3602

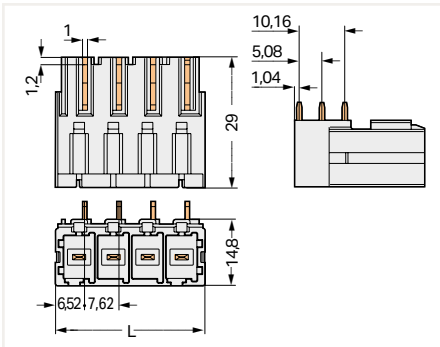
Pole No.	Item No.	PU
2	831-3622	48
3	831-3623	48
4	831-3624	24
5	831-3625	24
6	831-3626	24
7	831-3627	12
8	831-3628	12
9	831-3629	12

Pole No.	Item No.	PU
2	831-3642	48
3	831-3643	48
4	831-3644	24
5	831-3645	24
6	831-3646	24
7	831-3647	12
8	831-3648	12
9	831-3649	12

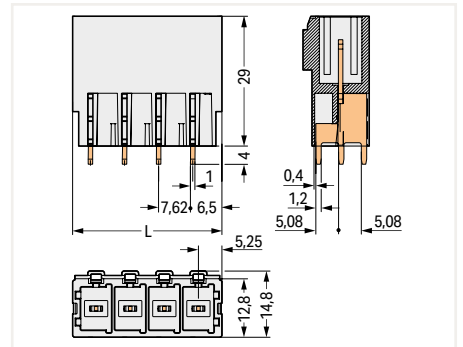
Pole No.	Item No.	PU
2	831-3602	48
3	831-3603	48
4	831-3604	24
5	831-3605	24
6	831-3606	24
7	831-3607	12
8	831-3608	12
9	831-3609	12



L = (pole no. - 1) x pin spacing + 10.5 mm



L = (pole no. - 1) x pin spacing + 10.5 mm



L = (pole no. - 1) x pin spacing + 10.5 mm

PU = Packaging Unit; SPU = Subpackaging Unit; Dimensions in mm

Other versions (or variants) can be requested from WAGO Sales or configured at <https://configurator.wago.com/>.

- Other pole numbers
- Protection against PCB mounting errors

THT male header ▶ MCS MAXI 6 ▶ 831 Series

Pin spacing: 7.62 mm / 0.3 inch ▶ Solder pin dimensions: 1 x 1.2 mm ▶ Color: light gray

Locking of plug-in connection: Threaded flange ▶ Mating direction to the PCB: 0°

Locking of plug-in connection: Threaded flange ▶ Mating direction to the PCB: 90°



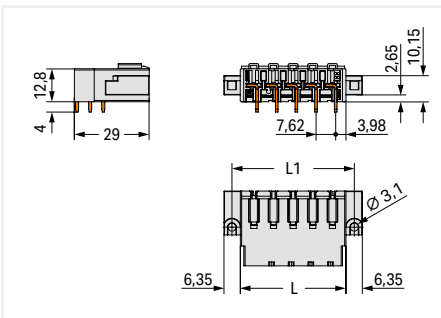
831-3622/108-000



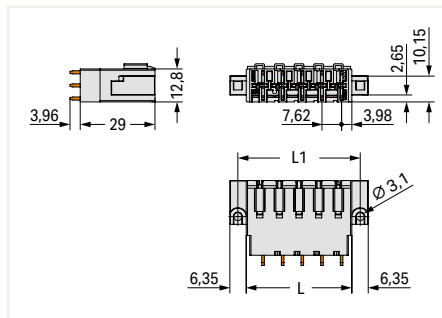
831-3602/108-000

Pole No.	Item No.	PU
2	831-3622/108-000	48
3	831-3623/108-000	24
4	831-3624/108-000	24
5	831-3625/108-000	24
6	831-3626/108-000	24
7	831-3627/108-000	12
8	831-3628/108-000	12
9	831-3629/108-000	12

Pole No.	Item No.	PU
2	831-3602/108-000	48
3	831-3603/108-000	24
4	831-3604/108-000	24
5	831-3605/108-000	24
6	831-3606/108-000	24
7	831-3607/108-000	12
8	831-3608/108-000	12
9	831-3609/108-000	12



L = pole no. x pin spacing + 2.9 mm
L1 = L + 6.5 mm



L = pole no. x pin spacing + 2.9 mm
L1 = L + 6.5 mm

10

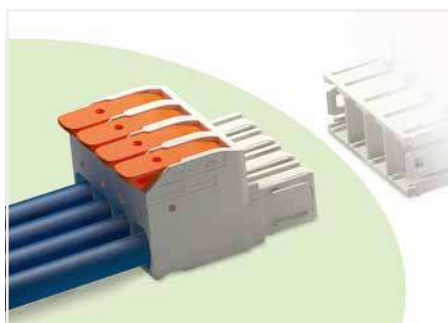
PU = Packaging Unit; SPU = Subpackaging Unit; Dimensions in mm

Other versions (or variants) can be requested from WAGO Sales or configured at <https://configurator.wago.com/>.

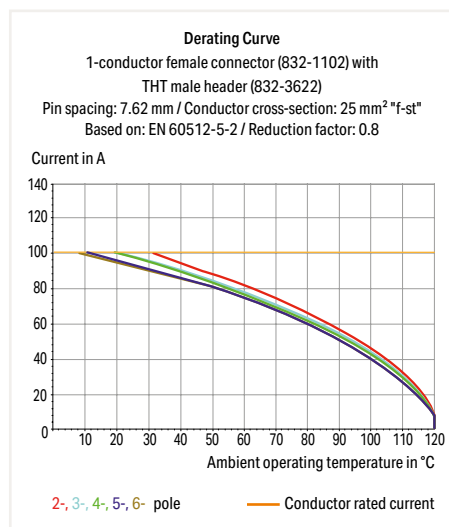
- Other pole numbers
- Protection against PCB mounting errors

1-conductor female plug ▶ MCS MAXI 16 ▶ 832 Series

Pin spacing: 10.16 mm / 0.4 inch ▶ Actuation type: Lever ▶ Push-in CAGE CLAMP® ▶ Color: light gray



- Intuitive and tool-free lever actuation
- Universal connection for all conductor types
- Push-in termination of solid or ferruled conductors
- Test slot 0° and 90° to conductor entry
- 100% protected against mismatching
- Coding option available

**Electrical Data**

Ratings per		IEC/EN 60664-1		
Overvoltage category		III	III	II
Pollution degree		3	2	2
Rated voltage		1000 V	1000 V	1000 V
Rated impulse voltage		8 kV	8 kV	8 kV
Rated current		76 A	76 A	76 A
Approvals per		UL 1059		
Use group		B	C	D
Rated voltage		600 V	600 V	-
Rated current		66 A	66 A	-
Approvals per		UL 1977		
Rated voltage		600 V		
Rated current		85 A		
Approvals per		CSA		
Use group		B	C	D
Rated voltage		600 V	600 V	-
Rated current		66 A	66 A	-

Connection Data

Connection technology	Push-in CAGE CLAMP®
Strip length	18 ... 20 mm / 0.71 ... 0.79 inch
Solid conductor	0.75 ... 16 mm ² / 18 ... 4 AWG
Fine-stranded conductor	0.75 ... 25 mm ² / 18 ... 4 AWG
Fine-stranded conductor; with insulated ferrule	0.75 ... 16 mm ²
Fine-stranded conductor; with uninsulated ferrule	0.75 ... 16 mm ²

Material Data

Material group	I
Insulation material	Polybutylene terephthalate (PBT)
Flammability class per UL94	V0
Clamping spring material	Chrome nickel spring steel (CrNi)
Contact material	Electrolytic copper (E _{cu})
Contact plating	Silver-plated

Environmental Requirements

Limit temperature range	-60 ... +120 °C
-------------------------	-----------------

The MCS – MULTI CONNECTION SYSTEM includes connectors without breaking capacity in accordance with DIN EN 61984. When used as intended, these connectors must not be connected/disconnected when live or under load. The circuit design should ensure header pins, which can be touched, are not live when unmated.

Coding	Page 777
Ferrule	Page 879
Locking system	Page 781
Mounting adapter	Page 782
Strain relief	Page 780
See technical section for further information	
For approvals and corresponding ratings, visit www.wago.com	

1-conductor female plug ▶ MCS MAXI 16 ▶ 832 Series

Pin spacing: 10.16 mm / 0.4 inch ▶ Actuation type: Lever ▶ Push-in CAGE CLAMP® ▶ Color: light gray

Locking of plug-in connection: Lateral locking lever

Locking of plug-in connection: Center locking lever



832-1102



832-1102/037-000

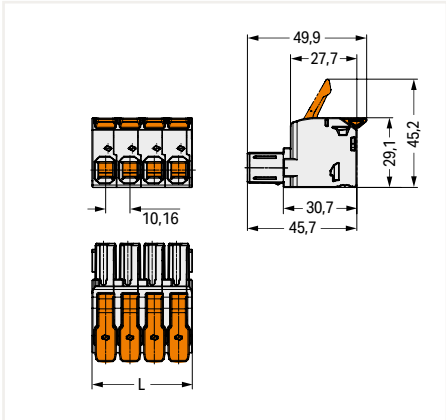


832-1102/322-000

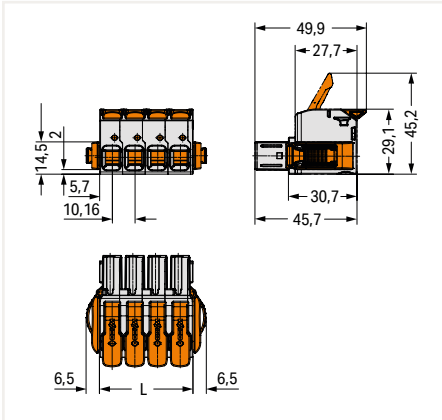
Pole No.	Item No.	PU
2	832-1102	60
3	832-1103	45
4	832-1104	20
5	832-1105	20
6	832-1106	10

Pole No.	Item No.	PU
2	832-1102/037-000	20
3	832-1103/037-000	15
4	832-1104/037-000	10
5	832-1105/037-000	10
6	832-1106/037-000	10

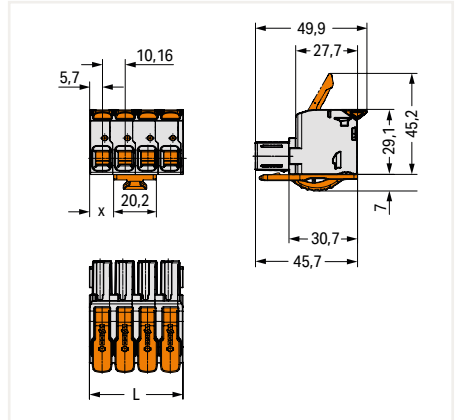
Pole No.	Item No.	PU
2	832-1102/322-000	20
3	832-1103/323-000	15
4	832-1104/322-000	10
5	832-1105/323-000	10
6	832-1106/322-000	5



L = (pole no. x pin spacing) + 1.3 mm



L = (pole no. x pin spacing) + 1.3 mm



L = (pole no. x pin spacing) + 1.3 mm

PU = Packaging Unit; SPU = Subpackaging Unit; Dimensions in mm

Other versions (or variants) can be requested from WAGO Sales or configured at <https://configurator.wago.com/>.

- Other pole numbers

1-conductor female plug ▶ MCS MAXI 16 ▶ 832 Series

Pin spacing: 10.16 mm / 0.4 inch ▶ Actuation type: Lever ▶ Push-in CAGE CLAMP® ▶ Color: light gray

Locking of plug-in connection: Center locking lever ▶ Strain relief plate

Mounting type: DIN-35 rail; Panel mounting

Mounting type: DIN-35 rail; Panel mounting ▶ Locking of plug-in connection: Lateral locking lever



832-1102/342-000



832-1102/306-000



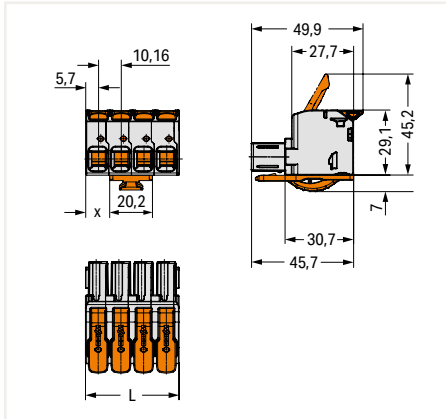
832-1102/037-000/306-000

Pole No.	Item No.	PU
2	832-1102/342-000	20
3	832-1103/343-000	15
4	832-1104/344-000	10
5	832-1105/345-000	10
6	832-1106/344-000	5

Pole No.	Item No.	PU
2	832-1102/306-000	5
3	832-1103/306-000	5
4	832-1104/306-000	5
5	832-1105/306-000	5
6	832-1106/306-000	5

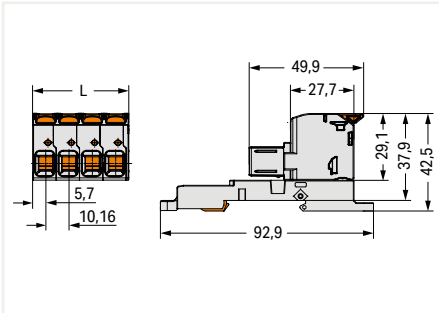
Pole No.	Item No.	PU
2	832-1102/037-000/306-000	5
3	832-1103/037-000/306-000	5
4	832-1104/037-000/306-000	5
5	832-1105/037-000/306-000	5
6	832-1106/037-000/306-000	5

Dimensions in mm



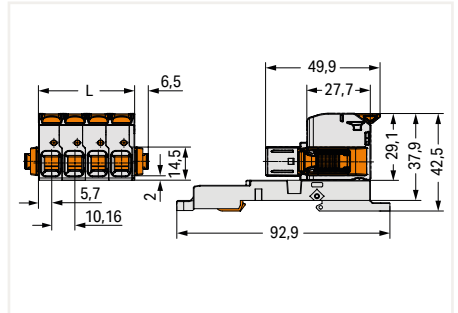
$L = (\text{pole no.} \times \text{pin spacing}) + 1.3 \text{ mm}$

Dimensions in mm



$L = \text{pole no.} \times \text{pin spacing} + 1.3 \text{ mm}$

Dimensions in mm



$L = \text{pole no.} \times \text{pin spacing} + 1.3 \text{ mm}$

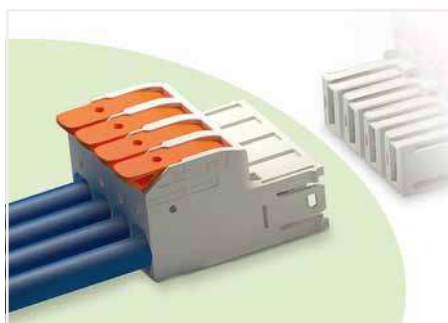
PU = Packaging Unit; SPU = Subpackaging Unit

Other versions (or variants) can be requested from WAGO Sales or configured at <https://configurator.wago.com/>.

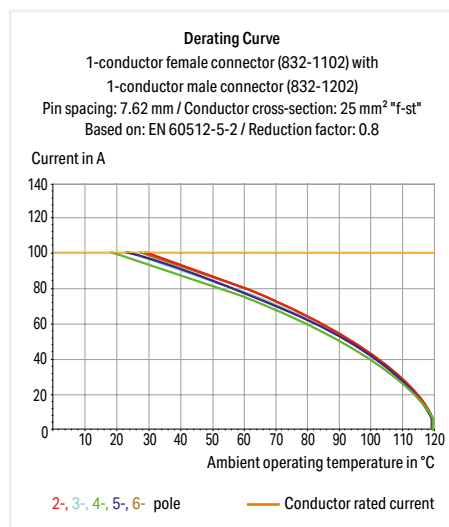
- Other pole numbers

1-conductor male connector ▶ MCS MAXI 16 ▶ 832 Series

Pin spacing: 10.16 mm / 0.4 inch ▶ Actuation type: Lever ▶ Push-in CAGE CLAMP® ▶ Color: light gray



- Intuitive and tool-free lever actuation
- Universal connection for all conductor types
- Push-in termination of solid or ferruled conductors
- Test slot 0° and 90° to conductor entry
- 100% protected against mismatching
- Coding option available



Electrical Data

Ratings per	IEC/EN 60664-1		
Overtoltage category	III	III	II
Pollution degree	3	2	2
Rated voltage	1000 V	1000 V	1000 V
Rated impulse voltage	8 kV	8 kV	8 kV
Rated current	76 A	76 A	76 A
Approbations per	UL 1059		
Use group	B	C	D
Rated voltage	600 V	600 V	-
Rated current	66 A	66 A	-
Approbations per	UL 1977		
Rated voltage	600 V		
Rated current	85 A		
Approbations per	CSA		
Use group	B	C	D
Rated voltage	600 V	600 V	-
Rated current	66 A	66 A	-

Connection Data

Connection technology	Push-in CAGE CLAMP®
Strip length	18 ... 20 mm / 0.71 ... 0.79 inch
Solid conductor	0.75 ... 16 mm ² / 18 ... 4 AWG
Fine-stranded conductor	0.75 ... 25 mm ² / 18 ... 4 AWG
Fine-stranded conductor; with insulated ferrule	0.75 ... 16 mm ²
Fine-stranded conductor; with uninsulated ferrule	0.75 ... 16 mm ²

Material Data

Material group	I
Insulation material	Polybutylene terephthalate (PBT)
Flammability class per UL94	V0
Clamping spring material	Chrome nickel spring steel (CrNi)
Contact material	Electrolytic copper (E _{cu})
Contact plating	Silver-plated

Environmental Requirements

Limit temperature range	-60 ... +120 °C
-------------------------	-----------------

The MCS – MULTI CONNECTION SYSTEM includes connectors without breaking capacity in accordance with DIN EN 61984. When used as intended, these connectors must not be connected/disconnected when live or under load. The circuit design should ensure header pins, which can be touched, are not live when unmated.

Coding Page 777

Ferrule Page 879

Strain relief Page 780

See technical section for further information

For approvals and corresponding ratings, visit www.wago.com

1-conductor male connector ▶ MCS MAXI 16 ▶ 832 Series

Pin spacing: 10.16 mm / 0.4 inch ▶ Actuation type: Lever ▶ Push-in CAGE CLAMP® ▶ Color: light gray

Mounting type: DIN-35 rail; Panel mounting



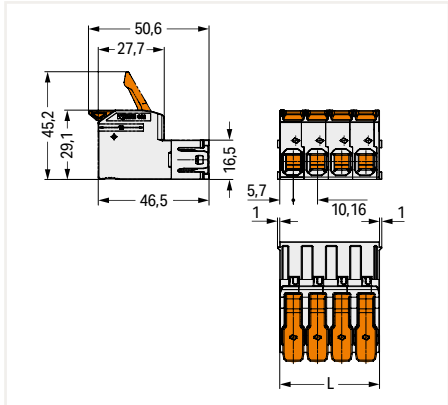
832-1202

832-1202/306-000

Pole No.	Item No.	PU
2	832-1202	60
3	832-1203	45
4	832-1204	20
5	832-1205	20
6	832-1206	10

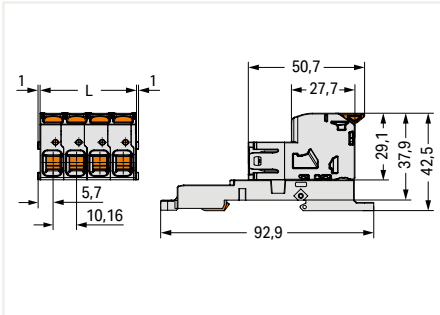
Pole No.	Item No.	PU
2	832-1202/306-000	10
3	832-1203/306-000	5
4	832-1204/306-000	5
5	832-1205/306-000	5
6	832-1206/306-000	5

Dimensions in mm



$L = (\text{pole no.} \times \text{pin spacing}) + 1.3 \text{ mm}$

Dimensions in mm



$L = \text{pole no.} \times \text{pin spacing} + 1.3 \text{ mm}$

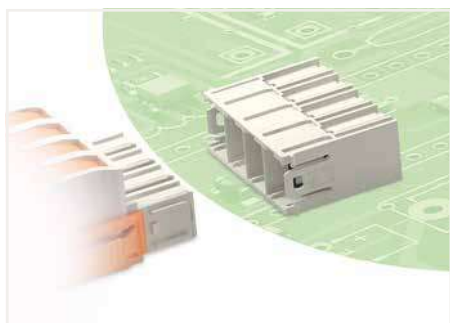
PU = Packaging Unit; SPU = Subpackaging Unit

Other versions (or variants) can be requested from WAGO Sales or configured at <https://configurator.wago.com/>.

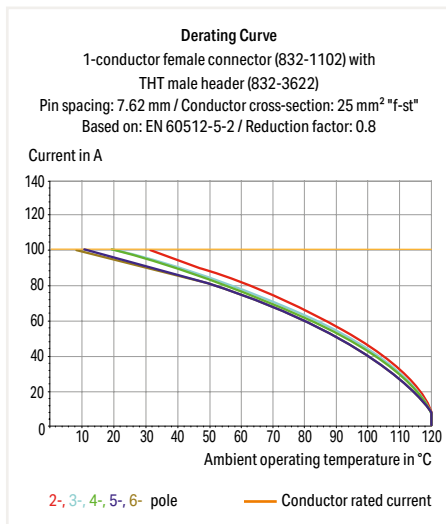
- Other pole numbers

THT male header ▶ MCS MAXI 16 ▶ 832 Series

Pin spacing: 10.16 mm / 0.4 inch ▶ Solder pin dimensions: 1.2 x 1.2 mm ▶ Color: light gray



- Male header may be mounted horizontally or vertically via straight or angled solder pins
- Three solder pins per pole provide high electrical and mechanical stability
- Mating face (IP2XB) with higher protection against accidental contact
- 100% protected against mismatching
- Coding via coding fingers

**Electrical Data**

		IEC/EN 60664-1		
Ratings per		III	III	II
Overtoltage category		3	2	2
Pollution degree		3	2	2
Rated voltage		800 V	1000 V	1000 V
Rated impulse voltage		8 kV	8 kV	8 kV
Rated current		76 A	76 A	76 A
Approbations per		UL 1059		
Use group		B	C	D
Rated voltage		300 V	300 V	600 V
Rated current		66 A	66 A	5 A
Approbations per		UL 1977		
Rated voltage		600 V		
Rated current		85 A		
Approbations per		CSA		
Use group		B	C	D
Rated voltage		300 V	300 V	600 V
Rated current		66 A	66 A	5 A

Material Data

Material group	I
Insulation material	Polybutylene terephthalate (PBT)
Flammability class per UL94	V0
Clamping spring material	Chrome nickel spring steel (CrNi)
Contact material	Electrolytic copper (E _{Co})
Contact plating	Silver-plated

Mechanical Data

Solder pin arrangement	Over the entire male connector (in-line)
Solder pin length	4 mm
Solder pin dimensions	1.2 x 1.2 mm
Drilled hole diameter with tolerance	1.7 ^(+0.1) mm

Environmental Requirements

Limit temperature range	-60 ... +120 °C
-------------------------	-----------------

The MCS – MULTI CONNECTION SYSTEM includes connectors without breaking capacity in accordance with DIN EN 61984. When used as intended, these connectors must not be connected/disconnected when live or under load. The circuit design should ensure header pins, which can be touched, are not live when unmated.

Coding Page 777

See technical section for further information

For approvals and corresponding ratings, visit www.wago.com

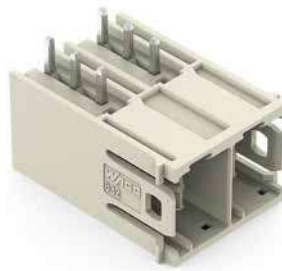
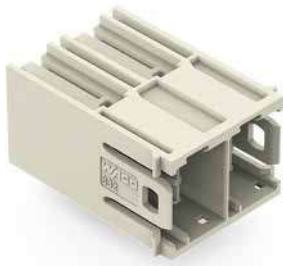
THT male header ▶ MCS MAXI 16 ▶ 832 Series

Pin spacing: 10.16 mm / 0.4 inch ▶ Solder pin dimensions: 1.2 x 1.2 mm ▶ Color: light gray

Mating direction to the PCB: 0°

Mating direction to the PCB: 180°

Mating direction to the PCB: 90°



832-3622

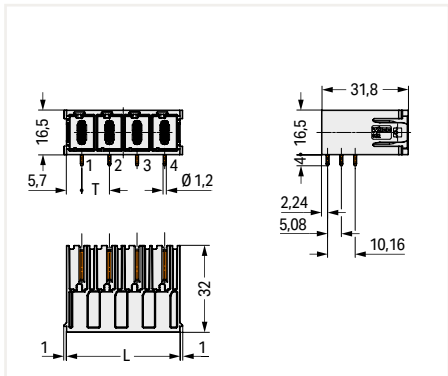
832-3642

832-3602

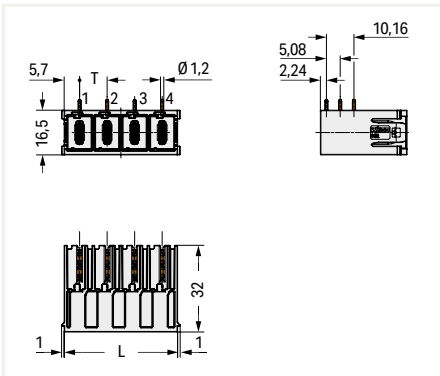
Pole No.	Item No.	PU
2	832-3622	60
3	832-3623	45
4	832-3624	20
5	832-3625	20
6	832-3626	10

Pole No.	Item No.	PU
2	832-3642	60
3	832-3643	45
4	832-3644	20
5	832-3645	20
6	832-3646	10

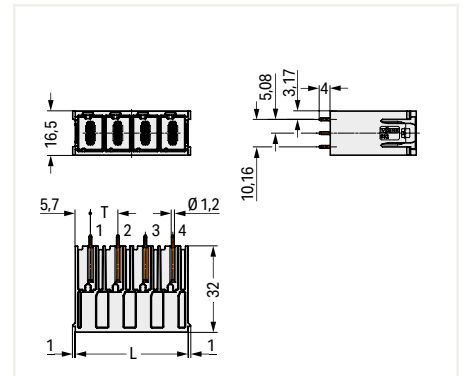
Pole No.	Item No.	PU
2	832-3602	60
3	832-3603	45
4	832-3604	20
5	832-3605	20
6	832-3606	10



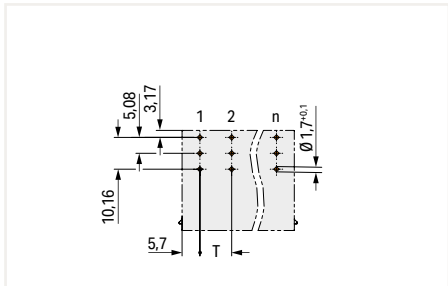
L = (pole no. x pin spacing) + 1.3 mm



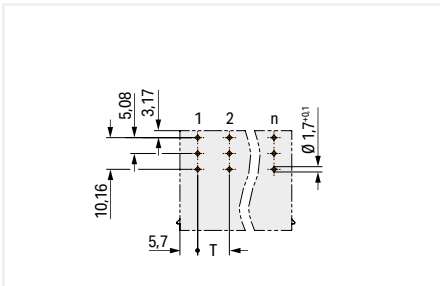
L = (pole no. x pin spacing) + 1.3 mm



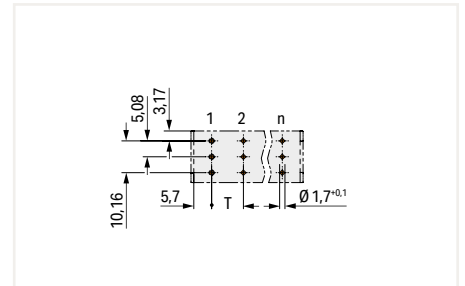
L = (pole no. x pin spacing) + 1.3 mm



L = (pole no. x pin spacing) + 1.3 mm



L = (pole no. x pin spacing) + 1.3 mm



L = (pole no. x pin spacing) + 1.3 mm

10

PU = Packaging Unit; SPU = Subpackaging Unit; Dimensions in mm

Other versions (or variants) can be requested from WAGO Sales or configured at <https://configurator.wago.com/>.

- Other pole numbers
- Protection against PCB mounting errors

Strain Relief Plates and Coding Pins

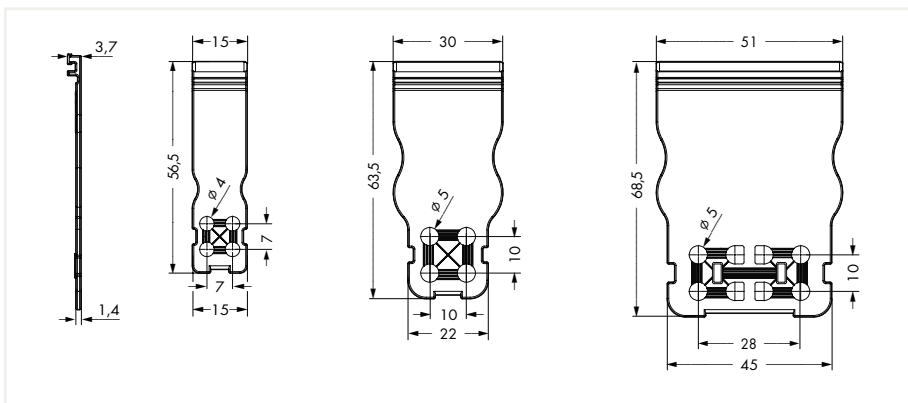
MCS MAXI 6



Strain relief plate; for inserting; light gray			
Pole No.	Width	Item No.	PU
2 ... 3	15 mm	831-503	96 (24)
4 ... 6	30 mm	831-505	48 (24)
7 ... 9	51 mm	831-506	48 (24)

Strain relief plate; factory assembled; light gray		
Pole No.	Width	Item No. Suffix *
2 ... 3	15 mm	.../133-000
4 ... 6	30 mm	.../135-000
7 ... 9	51 mm	.../136-000

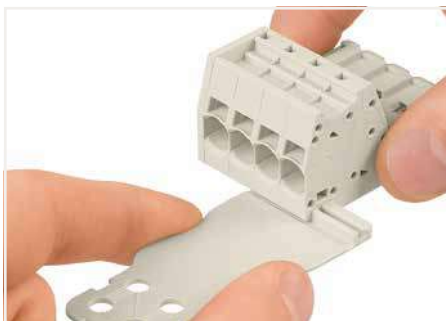
*An "item no. suffix," referring to the width of the strain relief plate, is added to the "basic item no." and determines the type of male or female connector.



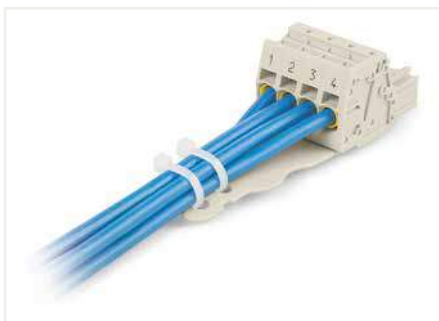
10

The arrangement of the attachments for cable ties allows single conductors or multi-core cables to be secured in different ways. The width of the cable ties must correspond to the hole dimensions of the strain relief plates shown above.

Cable ties and binding tools are not offered by WAGO.



Strain relief plate for field assembly



Strain relief plate; pre-assembled; 1-conductor female connector; 4-pole; 7.62 mm pin spacing; light gray (831-3104/135-000)

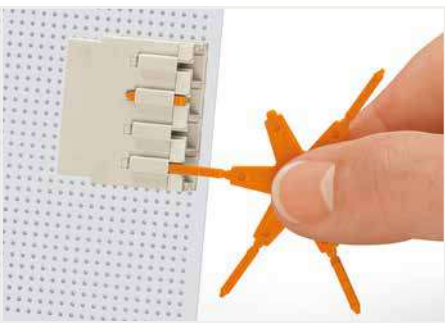
Coding Pins

MCS MAXI 6; MCS MAXI 16

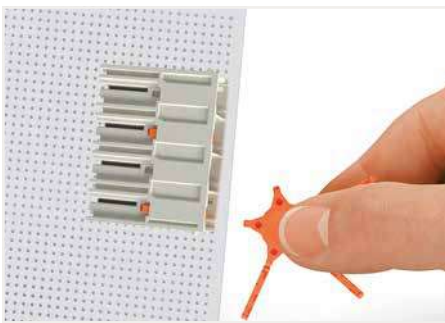


Coding pin carrier; with six coding pins; for THT male headers		
Color	Item No.	PU (SPU)
orange	831-500	100 (25)

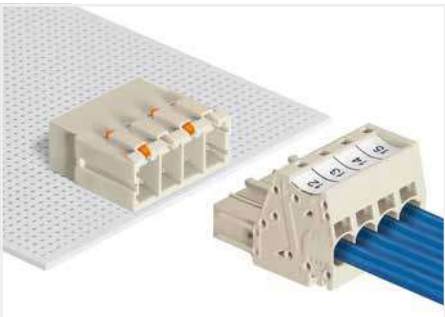
Coding pin carrier; with six coding pins; for male and female connectors MCS MAXI 16		
Color	Item No.	PU (SPU)
orange	832-500	100 (25)



Coding a THT male header by inserting a coding pin.

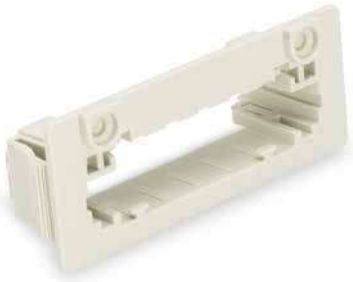


Coding a THT male header by inserting a coding pin.



Coded connectors

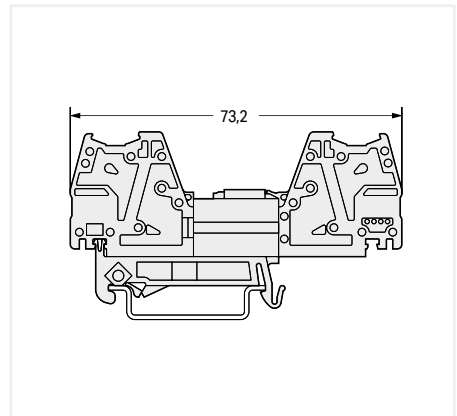
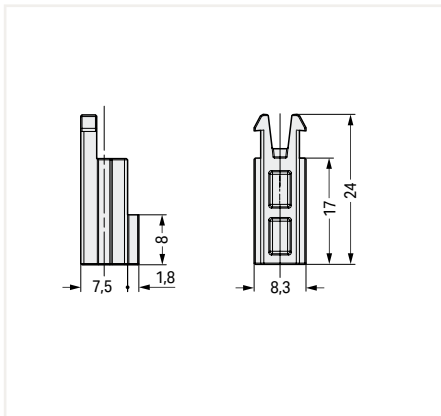
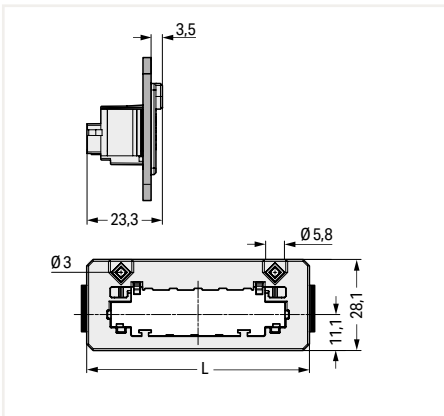
Snap-In Frames; Lockout Pins; Mounting Adapter MCS MAXI 6



Snap-in frame for MCS MAXI male connectors; light gray			
Pole No.	Width	Item-No.	PU
2	45.84 mm	831-302	48
3	53.46 mm	831-303	48
4	61.08 mm	831-304	24
5	68.7 mm	831-305	12

Lockout pins for snap-in frames		
Color	Item-No.	PU
light gray	831-321	100

Mounting adapter for DIN-35 rail; for male connectors		
Color	Item-No.	PU
light gray	831-137	48

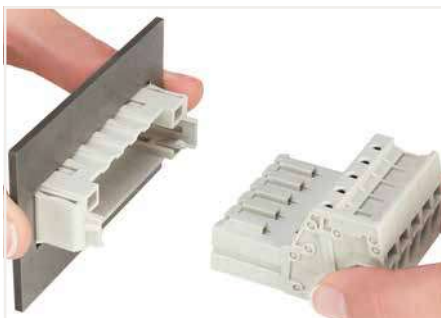


$L = (\text{pole no.} \times 7.62 \text{ mm}) + 30.6 \text{ mm}$

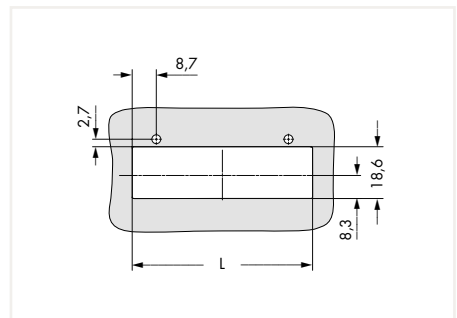
10



Insert the snap-in frame into the cutout.



Insert the male connector into the snap-in frame.



$L = (\text{pole no.} \times 7.62 \text{ mm}) + 26.8 \text{ mm}$
Panel cutout for snap-in frame



Inserting a female connector equipped with lateral locking levers.



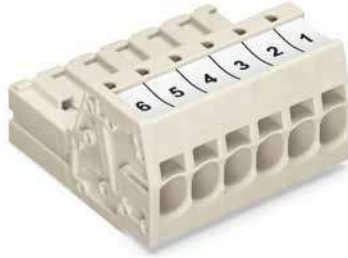
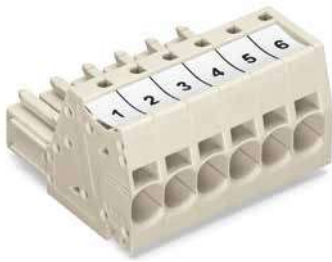
Inserting a female connector without lateral locking levers – lockout pins are inserted on both sides of the snap-in frame.

- Snap-in frames for through-panel MCS MAXI 6 connectors
- Fast and easy installation – without tools
- Compatible with MCS MAXI 6 male and female connectors
- For panel thickness ranging
- Optional screw mounting

PU = Packaging Unit; SPU = Subpackaging Unit; Dimensions in mm

Marking Strips

MCS MAXI 6



Marking strip; 1 ... pole no.; for marking female connectors; perpendicular to conductor entry

Pole No.	Item No.	PU
2	2009-110/762-802	100
3	2009-110/762-803	100
4	2009-110/762-804	100
5	2009-110/762-805	100
6	2009-110/762-806	100
7	2009-110/762-807	100
8	2009-110/762-808	100
9	2009-110/762-809	100

Marking strip; pole no. ... 1; for marking male connectors; perpendicular to conductor entry

Pole No.	Item No.	PU
2	2009-110/762-852	50
3	2009-110/762-853	50
4	2009-110/762-854	50
5	2009-110/762-855	50
6	2009-110/762-856	50
7	2009-110/762-857	50
8	2009-110/762-858	50
9	2009-110/762-859	50

MCS MAXI male and female connectors can also be marked via Mini-WSB or WMB markers (see Section 12).

PU = Packaging Unit; SPU = Subpackaging Unit; Dimensions in mm

Available upon request (depending on quantity required):
Customized marking

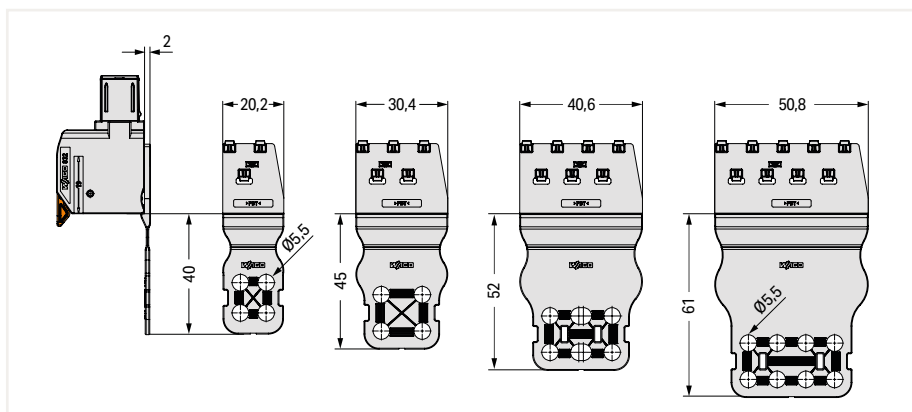
Strain Relief Plate ▶ for Male and Female Connectors with Push-in CAGE CLAMP® Connection ▶

Color: light gray

MCS MAXI 16

**Strain relief plate ▶ for inserting**

Pol No.	Width	Item No.	PU
2	20,2 mm	832-532	60
3	30,4 mm	832-533	45
4	40,6 mm	832-534	40
5	50,8 mm	832-535	40



The arrangement of the attachments for cable ties allows single conductors or multi-core cables to be secured in different ways. The width of the cable ties must correspond to the hole dimensions of the strain relief plates shown above.

Cable ties and binding tools are not offered by WAGO.



Strain relief plate for field assembly

Strain relief plate with locking lever ▶ Locking lever ▶ for Male and Female Connectors with Push-in CAGE CLAMP® Connection ▶ Color: orange MCS MAXI 16

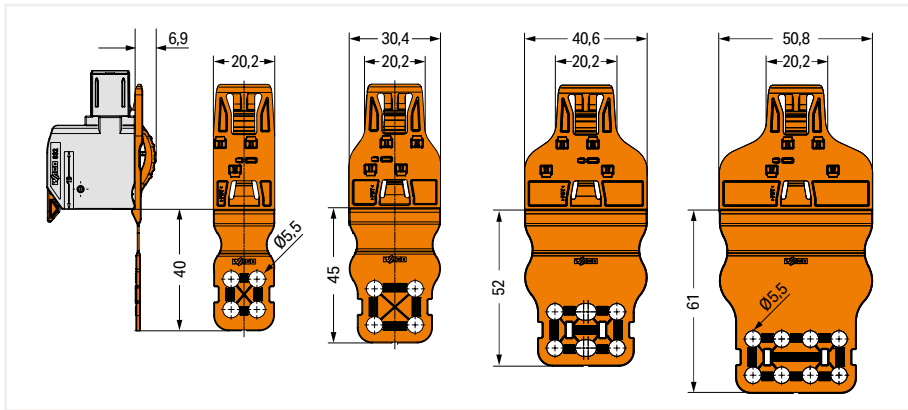


Strain relief plate ▶ for inserting ▶ with locking lever

Pol No.	Width	Item No.	PU
2	20,2 mm	832-542	60
3	30,4 mm	832-543	45
4	40,6 mm	832-544	40
5	50,8 mm	832-545	40

Locking lever ▶ for inserting

Pol No.	Width	Item No.	PU
2; 4; 6	20,2 mm	832-522	60
3; 5	20,2 mm	832-523	40



The arrangement of the attachments for cable ties allows single conductors or multi-core cables to be secured in different ways. The width of the cable ties must correspond to the hole dimensions of the strain relief plates shown above.

Cable ties and binding tools are not offered by WAGO.



Strain relief plate with locking lever for factory assembly

Locking lever for field assembly

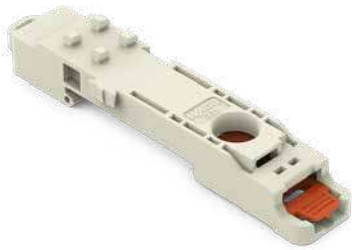
10

PU = Packaging Unit; SPU = Subpackaging Unit; Dimensions in mm

Mounting Adapters ▶ for Male and Female Connectors with Push-in CAGE CLAMP® Connection

Color: light gray

MCS MAXI 6 and MCS MAXI 16



Mounting adapter ▶ for DIN-35 rail ▶ to snap on for MCS MAXI 6

Item number	PU
831-1032	12

Mounting adapter ▶ for DIN-35 rail ▶ to snap on for MCS MAXI 16

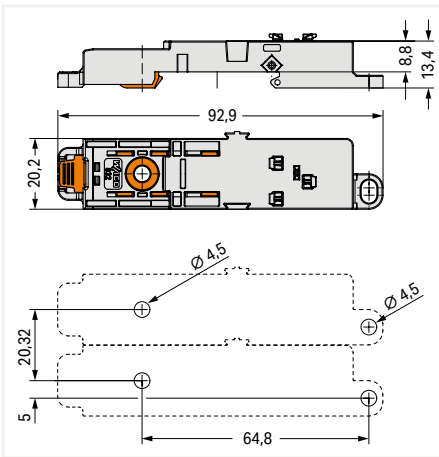
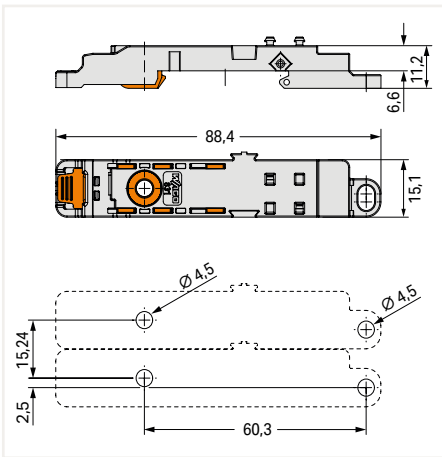
Item number	PU
832-1032	10

Mounting adapter ▶ for DIN-35 rail ▶ to snap on with locking plate for MCS MAXI 6

Item number	PU
831-1038	12

Mounting adapter ▶ for DIN-35 rail ▶ to snap on with locking plate for MCS MAXI 16

Item number	PU
832-1038	10



10

PU = Packaging Unit; SPU = Subpackaging Unit; Dimensions in mm

Direct Marking

MCS MAXI 6 and MCS MAXI 16

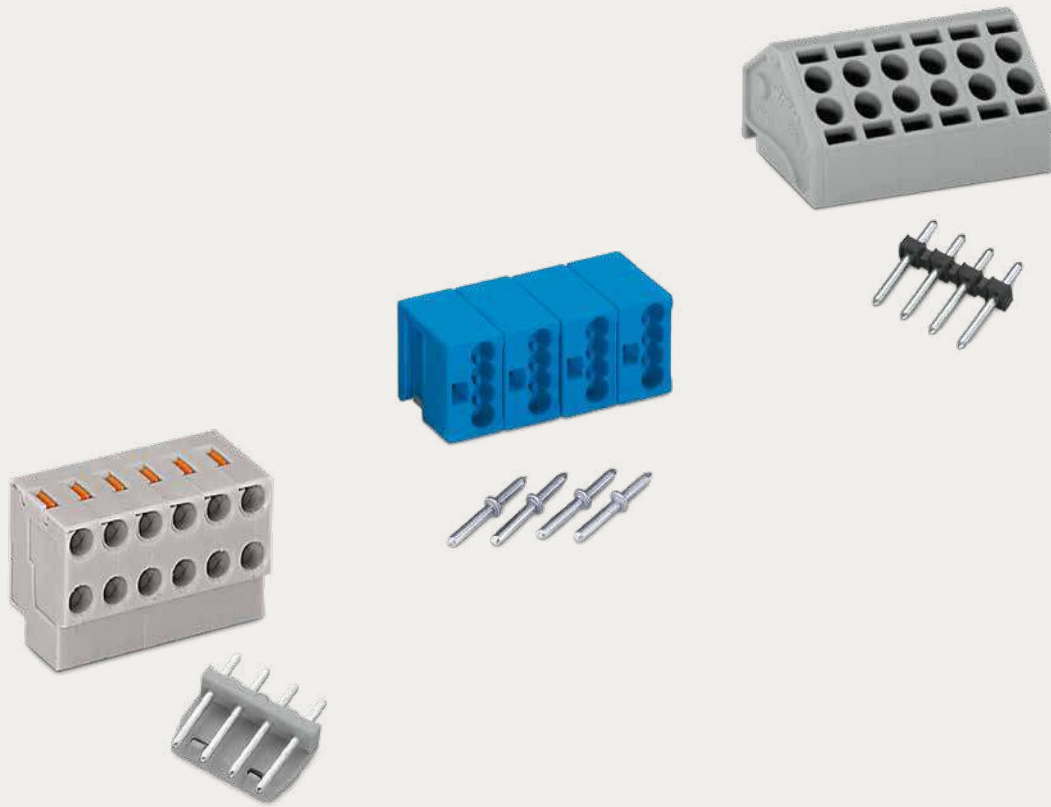


Direct marking of female connectors; parallel to conductor entry; 1 ... pole no.; item no. suffix.: /... - 9037

Version	Item No. Example
1-conductor female connector; 6-pole; light gray	831-3106/000-9037
1-conductor female connector; with locking levers; 6-pole; light gray	831-3106/037-9037





Direct marking of male connectors; parallel to conductor entry; pole no. ... 1; item no. suffix.: /... - 9034

Version	Item No. Example
1-conductor male connector; 6-pole; light gray	831-3206/000-9034
1-conductor male connector; for DIN-35 rail mounting; 6-pole; light gray	831-3206/007-9034



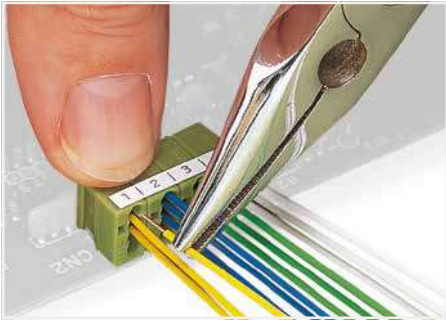
WAGO Pluggable PCB Connectors

Pluggable WAGO PCB Connectors

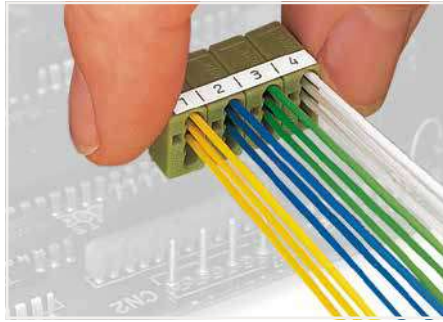
		Nominal Cross-Section	Series	Page
	2-Conductor Compact PCB Connectors ▶ 0.4 ... 0.8 mm Ø "sol." ▶ PUSH WIRE®	3,5 mm	252	790
	2-Conductor PCB Connector Strips (Pinstrip Pluggable) ▶ 0.2 ... 1.5 mm ² (16 AWG) ▶ Push-in CAGE CLAMP®	5 mm	806	794
	4-Conductor Modular PCB Connectors ▶ 0.4 ... 0.8 mm Ø "sol." ▶ PUSH WIRE®	5,75 mm	243	796
	Accessories and Tools			861

Pluggable PCB Connectors 252 and 243 Series Description and Installation

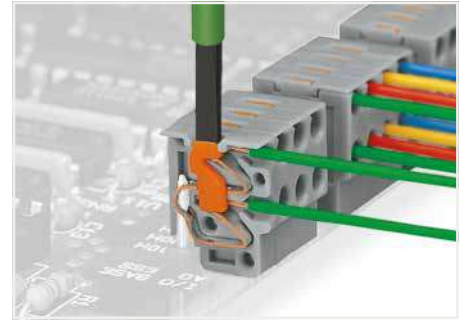
PUSH WIRE®



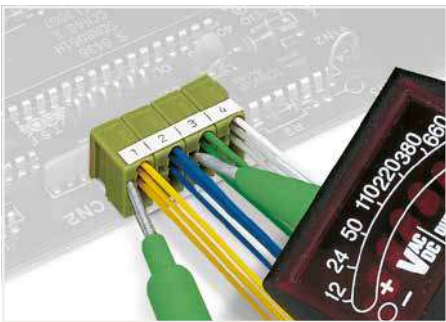
Inserting a conductor using pliers until it hits backstop – directly on the PCB or wiring prior to mounting on PCB.



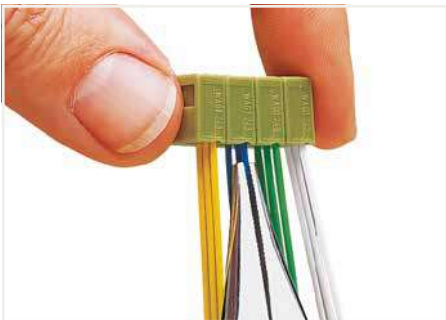
Removing a PCB connector strip to replace the board.



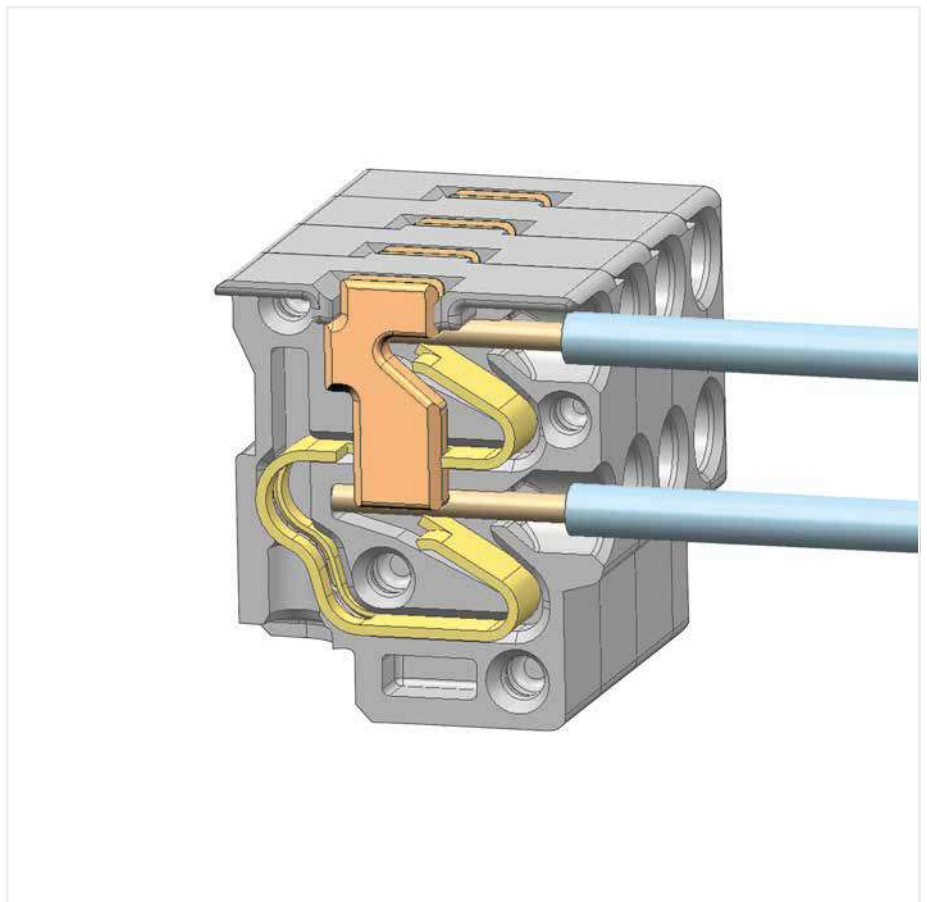
Removing a conductor via push-button – 252 Series



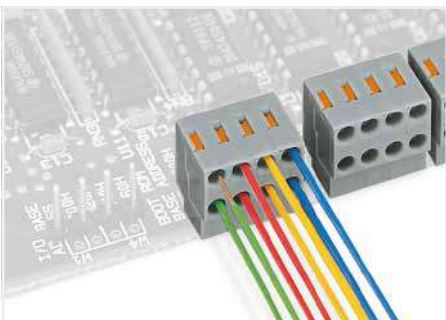
Testing – 243 Series



Removing a conductor using pliers – twisting alternately left and right – 243 Series



252 Series



Conductor termination directly on the PCB or wiring prior to mounting on PCB – 252 Series



Solder pin strip with strain relief, 4-pole



Plugging a compact PCB connector – 252 Series.

11

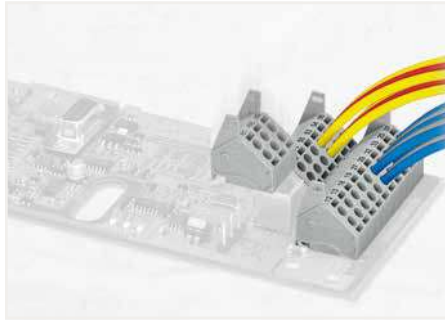
Pluggable PCB Connectors

806 Series

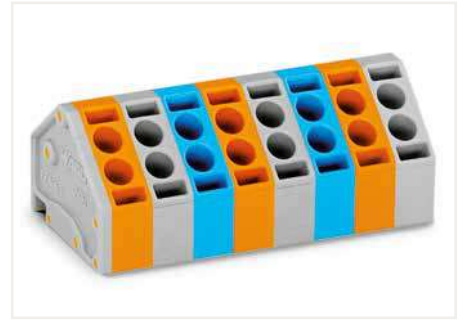
Description and Installation



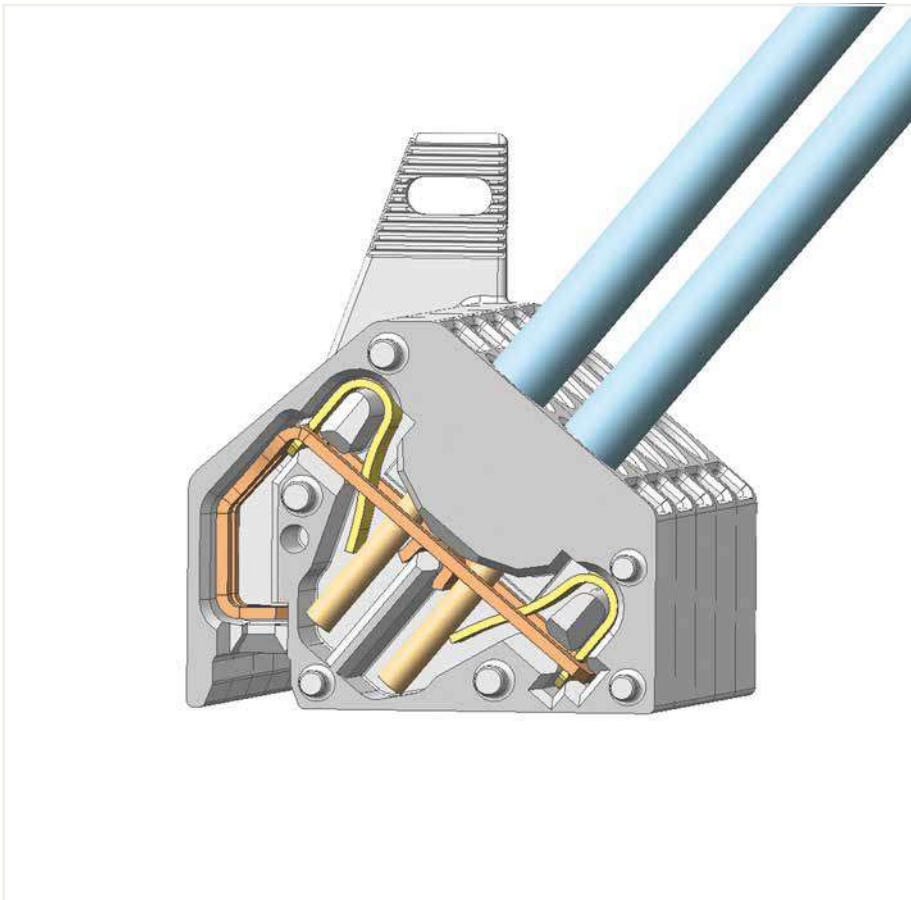
Inserting solid conductors via push-in termination.
Inserting/removing fine-stranded conductors: Open the clamping unit using a screwdriver and insert a stripped conductor until it hits backstop.



Conductor termination directly on the PCB or wiring prior to mounting on PCB



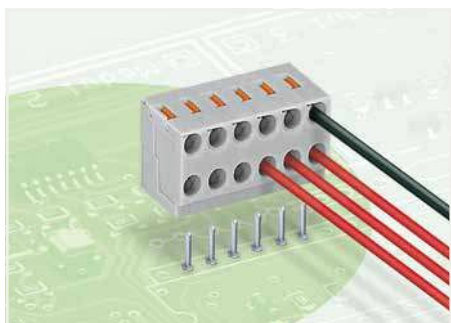
Mixed-color PCB connector strips (with or without spacer) are available upon request.



806 Series

2-conductor female connector ▶ 252 Series

PUSH WIRE® ▶ Actuation type: Push-button ▶ 0.5 mm² ▶ Pin spacing: 3.5 mm / 0.138 inch ▶ Terminal strip ▶ Color: gray



- 2-conductor female connector with push-buttons and PUSH WIRE® connection
- Push-in termination of solid conductors – conductor removal via push-buttons
- Double entries for power supply and distribution
- Quick and easy PCB replacement
- Loop connection is retained, even when unmated
- Group arrangement is possible without losing any poles

Electrical Data						
Pin spacing	3.5 mm / 0.138 inch			3.5 mm / 0.138 inch		
Secondary product function	suitable for solder pin strips; suitable for solder pins			suitable for solder pins; pluggable from top		
Ratings per	IEC/EN 60664-1			IEC/EN 60664-1		
Overvoltage category	III	III	II	III	III	II
Pollution degree	3	2	2	3	2	2
Rated voltage	320 V	320 V	630 V	160 V	160 V	320 V
Rated impulse voltage	4 kV	4 kV	4 kV	2.5 kV	2.5 kV	2.5 kV
Rated current	2 A	2 A	2 A	2 A	2 A	2 A
Approbations per	UL 1059			UL 1059		
Use group	B	C	D	B	C	D
Rated voltage	300 V	-	300 V	300 V	-	300 V
Rated current	2 A	-	2 A	2 A	-	2 A

Connection Data	
Connection technology	PUSH WIRE®
Strip length	6 ... 7 mm / 0.24 ... 0.28 inch
Conductor connection direction to PCB	0°
Solid conductor	0.14 ... 0.5 mm ² / 26 ... 20 AWG
Conductor diameter	0.4 ... 0.8 mm

Material Data	
Material group	I
Insulation material	Polyamide (PA66)
Flammability class per UL94	V0
Clamping spring material	Copper alloy
Contact material	Electrolytic copper (E _{Cu})
Contact plating	Tin-plated

Environmental Requirements	
Limit temperature range	-60 ... +105 °C

General accessories Page 791

Marking Page 864

Tool Page 870

See technical section for further information

For approvals and corresponding ratings, visit www.wago.com

2-conductor female connector ▶ 252 Series

PUSH WIRE® ▶ Actuation type: Push-button ▶ 0.5 mm² ▶ Pin spacing: 3.5 mm / 0.138 inch ▶ Terminal strip ▶ Color: gray

suitable for solder pins

suitable for solder pins; pluggable from top

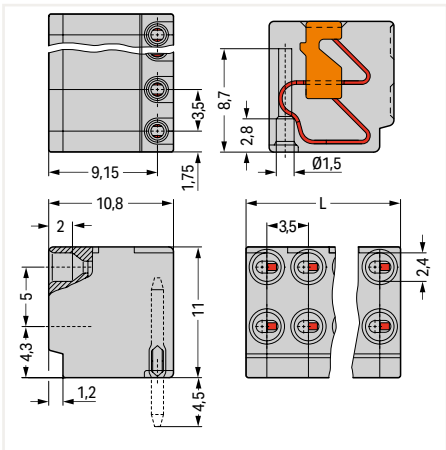


252-106

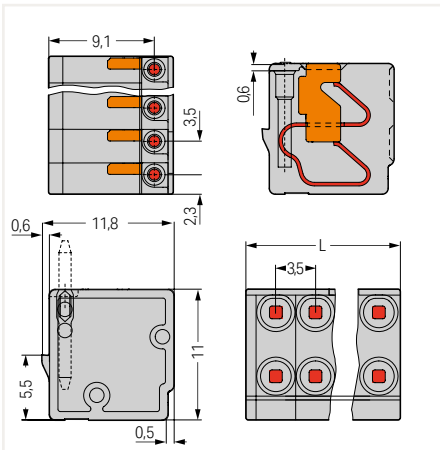
252-302

Pole No.	Item No.	PU (SPU)
2	252-102	600 (100)
3	252-103	400 (100)
4	252-104	300 (100)
5	252-105	300 (100)
6	252-106	200 (100)
7	252-107	200 (100)
8	252-108	200 (50)
9	252-109	200 (50)
10	252-110	150 (50)

Pole No.	Item No.	PU (SPU)
2	252-302	600 (100)
3	252-303	400 (100)
4	252-304	300 (100)
5	252-305	300 (100)
6	252-306	200 (100)
7	252-307	200 (100)
8	252-308	200 (50)
9	252-309	200 (50)
10	252-310	150 (50)



L = pole no. x pin spacing



L = pole no. x pin spacing

Accessories; for all products on this page



Solder pin; Solder pin diameter: 1 mm; for PCBs up to 2 mm thick

Pole No.	Item No.	PU
1	243-131	1000

PU = Packaging Unit; SPU = Subpackaging Unit; Dimensions in mm

Other versions (or variants) can be requested from WAGO Sales or configured at <https://configurator.wago.com/>.

- Other pole numbers
- Direct marking

2-conductor female connector ▶ 252 Series

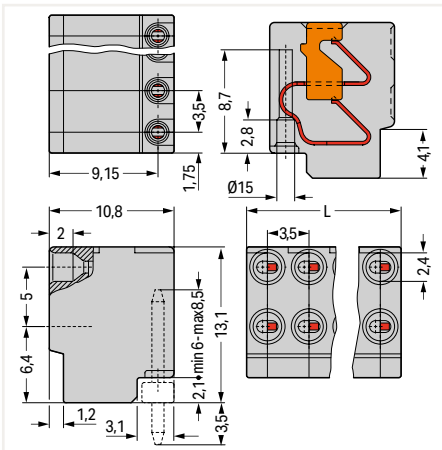
PUSH WIRE® ▶ Actuation type: Push-button ▶ 0.5 mm² ▶ Pin spacing: 3.5 mm / 0.138 inch ▶ Terminal strip ▶ Color: gray

suitable for solder pin strips



252-156

Pole No.	Item No.	PU (SPU)
2	252-152	600 (100)
3	252-153	400 (100)
4	252-154	300 (100)
5	252-155	300 (100)
6	252-156	200 (100)
7	252-157	200 (100)
8	252-158	200 (50)
9	252-159	200 (50)
10	252-160	150 (50)



L = pole no. x pin spacing

11

Accessories; for all products on this page



Solder pin; Solder pin diameter: 1 mm; Pin spacing: 3.5 mm / 0.138 inch

Pole No.	Item No.	PU
2	252-902	500
3	252-903	500
4	252-904	500
5	252-905	500
6	252-906	500
7	252-907	500
8	252-908	500
9	252-909	500
10	252-910	500



Solder pin; Solder pin diameter: 1 mm; with locking function

Pole No.	Item No.	PU
4	252-954	1000

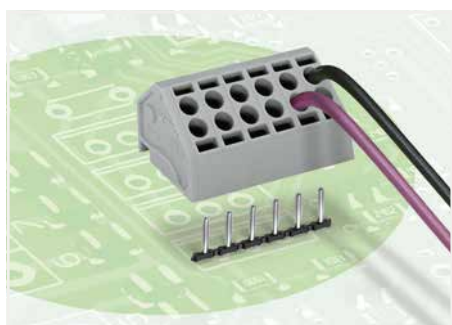
PU = Packaging Unit; SPU = Subpackaging Unit; Dimensions in mm

Other versions (or variants) can be requested from WAGO Sales or configured at <https://configurator.wago.com/>.

- Other pole numbers
- Direct marking

2-conductor female connector ▶ 806 Series

Push-in CAGE CLAMP® ▶ Actuation type: Operating tool ▶ 1.5 mm² ▶ Pin spacing: 5 mm / 0.197 inch ▶ Terminal strip ▶ Color: gray



- 2-conductor female connector with Push-in CAGE CLAMP® connection and screwdriver-actuation
- Push-in termination of solid and ferruled conductors
- Double entries for power supply and potential distribution
- Quick and easy PCB replacement, without disrupting looped-through potentials

Electrical Data

Pin spacing	5 mm / 0.197 inch		
Ratings per	IEC/EN 60664-1		
Overvoltage category	III	III	II
Pollution degree	3	2	2
Rated voltage	250 V	320 V	630 V
Rated impulse voltage	4 kV	4 kV	4 kV
Rated current	10 A	10 A	10 A
Approbations per	UL 1059		
Use group	B	C	D
Rated voltage	300 V	-	300 V
Rated current	10 A	-	10 A
Approbations per	CSA		
Use group	B	C	D
Rated voltage	300 V	-	-
Rated current	10 A	-	-

Connection Data

Connection technology	Push-in CAGE CLAMP®
Strip length	9 ... 10 mm / 0.35 ... 0.39 inch
Conductor connection direction to PCB	45 °
Solid conductor	0.2 ... 1.5 mm ² / 24 ... 16 AWG
Fine-stranded conductor	0.2 ... 1.5 mm ² / 24 ... 16 AWG
Fine-stranded conductor; with insulated ferrule	0.25 ... 1 mm ²
Fine-stranded conductor; with uninsulated ferrule	0.25 ... 1 mm ²

Material Data

Material group	I
Insulation material	Polyamide (PA66)
Flammability class per UL94	V0
Clamping spring material	Chrome nickel spring steel (CrNi)
Contact material	Copper alloy
Contact plating	Tin-plated

Mechanical Data

Solder pin diameter	1 mm
---------------------	------

Environmental Requirements

Limit temperature range	-60 ... +105 °C
-------------------------	-----------------

Ferrule Page 879

Marking Page 865

Tool Page 870

See technical section for further information

For approvals and corresponding ratings, visit www.wago.com

2-conductor female connector ▶ 806 Series

Push-in CAGE CLAMP® ▶ Actuation type: Operating tool ▶ 1.5 mm² ▶ Pin spacing: 5 mm / 0.197 inch ▶ Terminal strip ▶ Color: gray

With pull-out tool

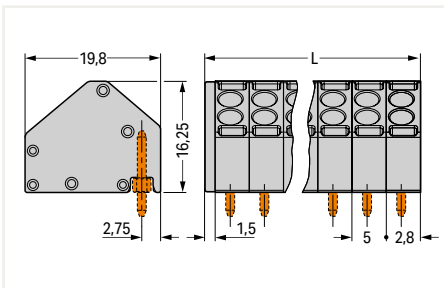


806-106

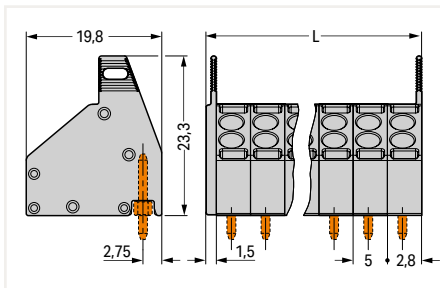
806-206

Pole No.	Item No.	PU
2	806-102	400
3	806-103	250
4	806-104	200
5	806-105	175
6	806-106	150
7	806-107	125
8	806-108	100
9	806-109	100
10	806-110	80
11	806-111	80
12	806-112	60

Pole No.	Item No.	PU
2	806-202	704
3	806-203	484
4	806-204	352
5	806-205	308
6	806-206	220
7	806-207	220
8	806-208	176
9	806-209	132
10	806-210	132
11	806-211	132
12	806-212	132



L = (pole no. x pin spacing) + 1.5 mm



L = (pole no. x pin spacing) + 1.5 mm

Accessories; for all products on this page



Solder pin; Solder pin diameter: 1 mm; Pin spacing: 5 mm / 0.197 inch

Pole No.	Item No.	PU
2	806-902	100
3	806-903	100
4	806-904	100
5	806-905	100
6	806-906	100
7	806-907	100
8	806-908	100
9	806-909	100
10	806-910	100
11	806-911	100
12	806-912	100

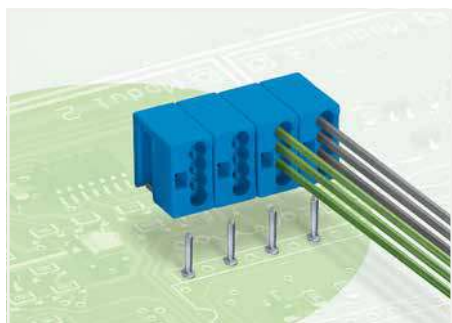
PU = Packaging Unit; SPU = Subpackaging Unit; Dimensions in mm

Other versions (or variants) can be requested from WAGO Sales or configured at <https://configurator.wago.com/>.

- Other pole numbers
- Other colors
- Mixed-color PCB connector strips
- Direct marking

4-conductor modular PCB connector ▶ 243 Series

PUSH WIRE® ▶ 1 mm² ▶ Pin spacing: 5.75 mm / 0.226 inch



- 4-conductor female connector with PUSH WIRE® connection
- Can be assembled to connector strips via dovetail joints
- Push-in termination of solid conductors
- Four entries for power supply and potential distribution
- Quick and easy PCB replacement, without disrupting looped-through potentials

Electrical Data

Pin spacing	5.75 mm / 0.226 inch		
Ratings per	IEC/EN 60664-1		
Overvoltage category	III	III	II
Pollution degree	3	2	2
Rated voltage	250 V	320 V	630 V
Rated impulse voltage	4 kV	4 kV	4 kV
Rated current	6 A	6 A	6 A

Approbations per	UL 1059		
Use group	B	C	D
Rated voltage	150 V	-	150 V
Rated current	7 A	-	7 A

Approbations per	CSA		
Use group	B	C	D
Rated voltage	150 V	-	150 V
Rated current	7 A	-	7 A

Connection Data

Connection technology	PUSH WIRE®
Strip length	5 ... 6 mm / 0.2 ... 0.24 inch
Conductor connection direction to PCB	0°
Connectable conductor materials	Copper
Solid conductor	0.5 ... 1 mm ² / 24 ... 18 AWG
Conductor diameter	0.5 ... 1 mm

Material Data

Material group	I
Insulation material	Polyamide (PA66)
Flammability class per UL94	V0
Clamping spring material	Copper alloy
Contact material	Electrolytic copper (E _{cu})
Contact plating	Tin-plated

Mechanical Data

Solder pin length	4.5 mm
Solder pin diameter	1 mm
Drilled hole diameter with tolerance	1.2 ^(+0.05 ... +0.05) mm

Environmental Requirements

Limit temperature range	-60 ... +105 °C
-------------------------	-----------------

Marking Page 865

See technical section for further information

For approvals and corresponding ratings, visit www.wago.com

4-conductor modular PCB connector ▶ 243 Series PUSH WIRE® ▶ 1 mm² ▶ Pin spacing: 5.75 mm / 0.226 inch

Modular terminal block



243-724

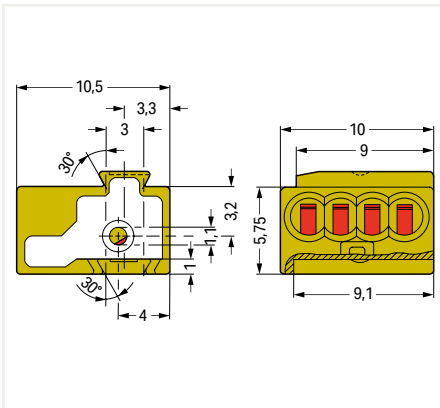
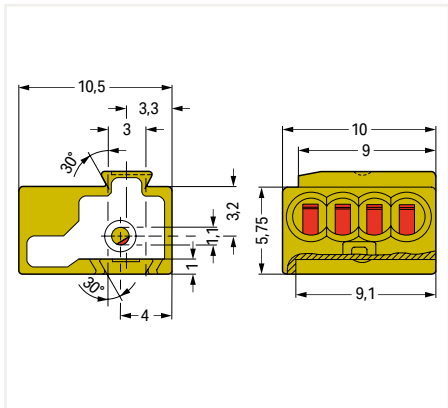
Terminal strip



243-743

Color	Item No.	PU
gray	243-721	400
blue	243-722	400
orange	243-723	400
light gray	243-726	400
light green	243-724	400
dark gray	243-725	400

Color	Pole No.	Item No.	PU (SPU)
gray	4	243-744/000-007	50
blue	2	243-742/000-006	50
blue	4	243-744/000-006	50
blue	5	243-745/000-006	400 (50)
blue	6	243-746/000-006	50
orange	2	243-742/000-012	50
orange	3	243-743/000-012	50
orange	4	243-744/000-012	50
orange	5	243-745/000-012	400 (50)
light green	2	243-742	50
light green	3	243-743	50
light green	4	243-744	50
light green	5	243-745	50
light green	6	243-746	50
light green	7	243-747	50
light green	8	243-748	50



Accessories; for all products on this page



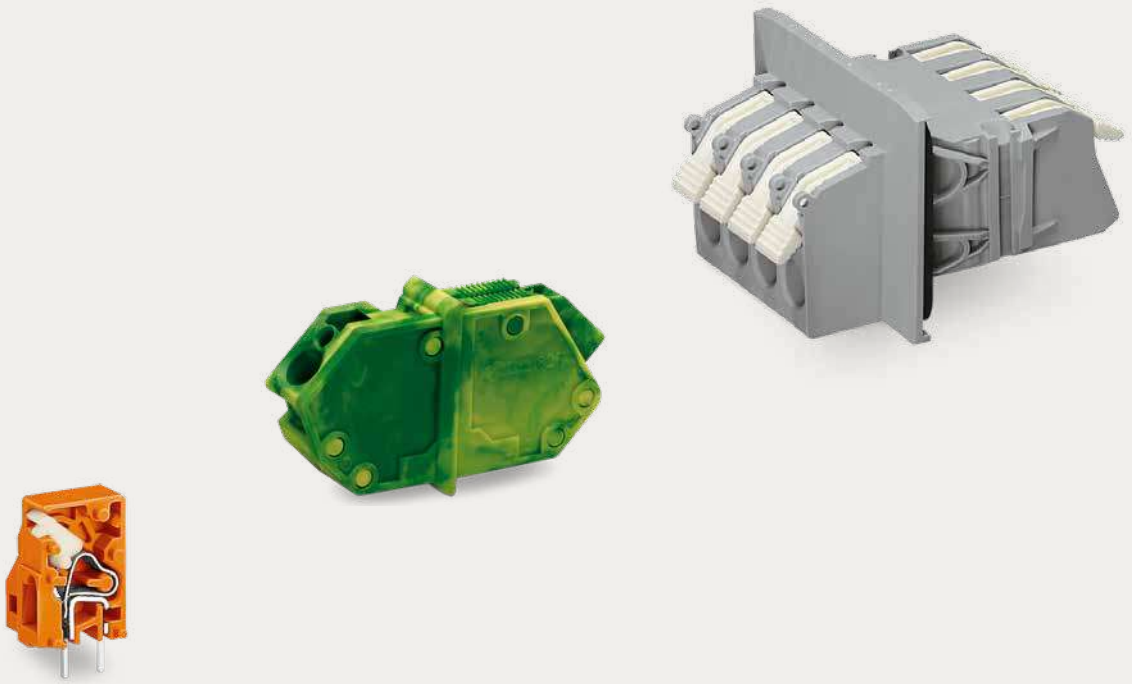
Solder pin; Solder pin diameter: 1 mm; for PCBs up to 2 mm thick

Pole No.	Item No.	PU
1	243-131	1000

PU = Packaging Unit; SPU = Subpackaging Unit; Dimensions in mm








Other versions (or variants) can be requested from WAGO Sales or configured at <https://configurator.wago.com/>.

- Other pole numbers
- Other colors
- Mixed-color PCB connector strips
- Direct marking



WAGO Feedthrough Terminal Blocks

WAGO Feedthrough Terminal Blocks

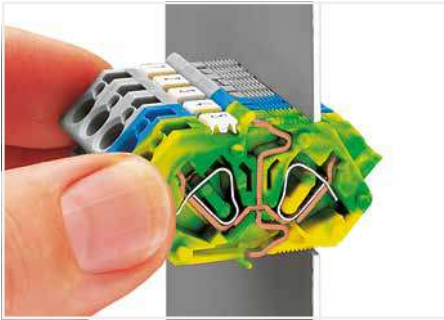
		Nominal cross-section	Series	Page
	Modular, Panel Feedthrough end Terminal Blocks ▶ Actuation type: Operating tool ▶ CAGE CLAMP®	4 mm ²	826	802
	Feedthrough Terminal Blocks ▶ Actuation type: Operating tool ▶ CAGE CLAMP®	4 mm ²	226	806
	Feedthrough Terminal Blocks ▶ Actuation type: Lever ▶ CAGE CLAMP®	16 mm ²	828	816
	PCB Terminal Blocks ▶ Actuation type: Push-button ▶ CAGE CLAMP®	2.5 mm ²	741	818
	PCB Terminal Blocks ▶ Actuation type: Operating tool ▶ CAGE CLAMP®	2.5 mm ²	231	826
	1-Conductor Feedthrough Terminal Strips ▶ Actuation type: Operating tool ▶ CAGE CLAMP®	2.5 mm ²	731	830
	Accessories and Tools			861

Feedthrough Terminal Blocks

826 Series

Description and Installation

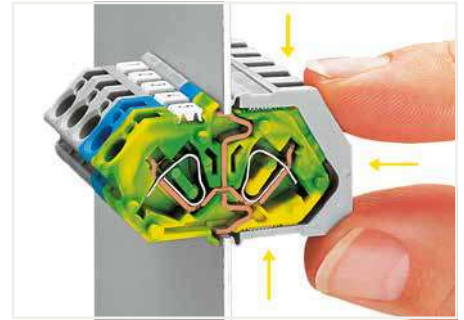
CAGE CLAMP®



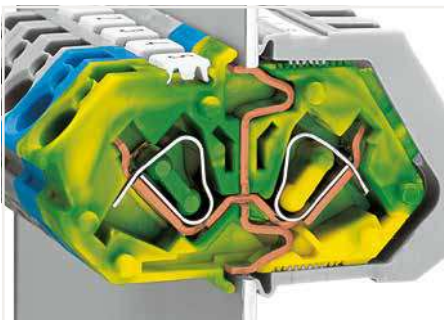
Insert the terminal strip into the cutout until the stop hits the enclosure wall.



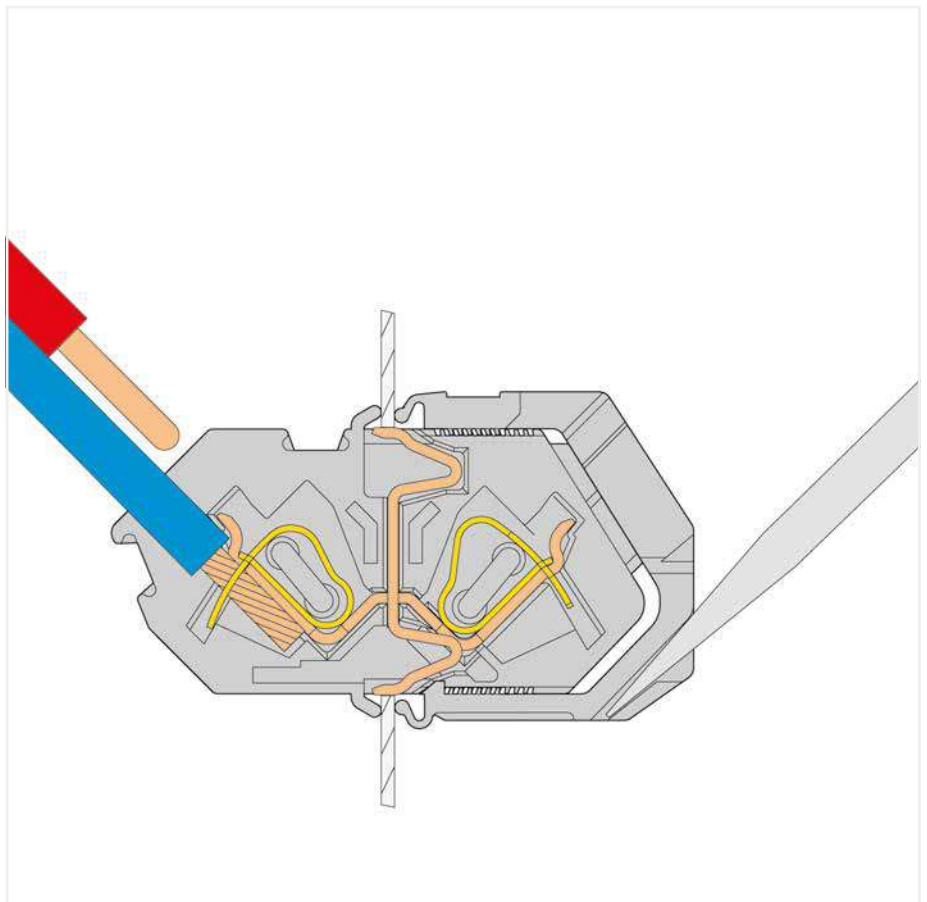
Secure the terminal strip to the inner side of the cutout via retaining clips.



Push retaining clips until stop and press together in the direction of the terminal strip center.



Automatic, double contact of the ground contact to the enclosure wall

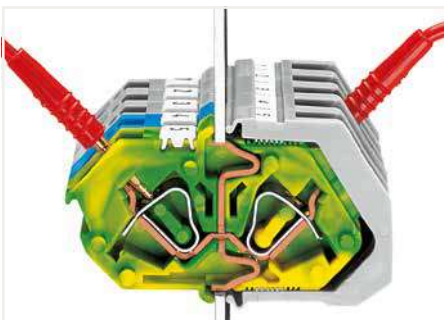


826 Series

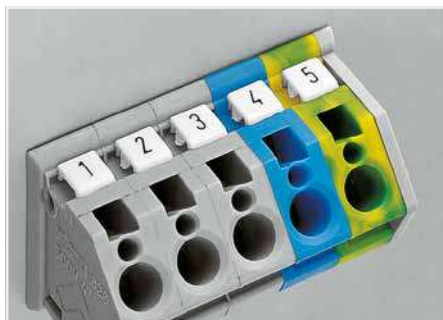


Inserting a conductor via screwdriver.

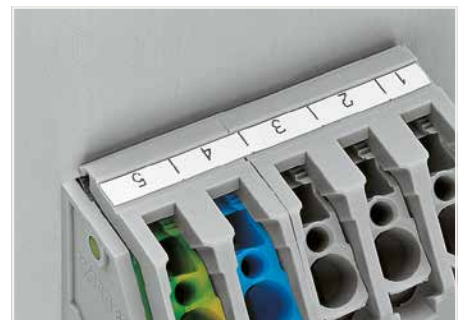
12



Testing with 2 mm or 2.3 mm Ø test plug.



Labeling via Mini-WSB makers – directly on the terminal blocks.

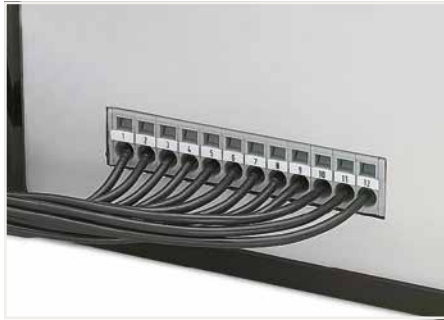


Self-adhesive marking strips adhere directly on the retaining clips.

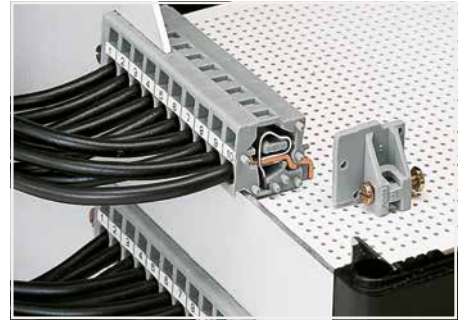
Feedthrough Terminal Blocks 231, 731 and 226 Series Description and Installation



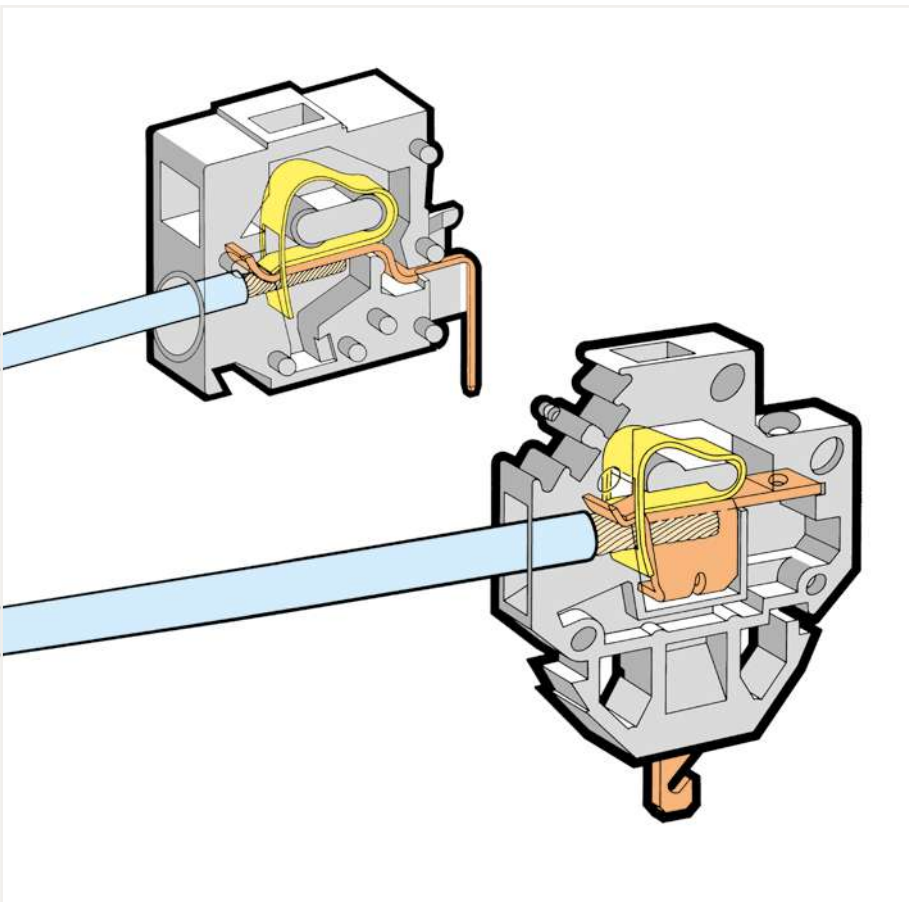
Feedthrough PCB terminal strips – front-entry conductor termination



Feedthrough PCB terminal strips can be used as front-panel feedthrough for external conductor termination.



With flanges for PCB or front-panel mounting – either flush with enclosure or protruding



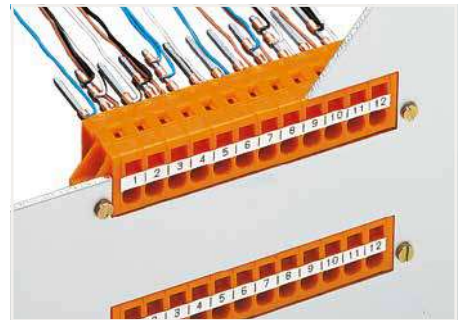
231, 731 and 226 Series



Snapping a 226 Series Feedthrough Terminal Block into the cutout.



Testing with 2 mm Ø test plug – touch contact.



Feedthrough terminal strips with mounting flanges

Feedthrough terminal block ▶ 826 Series

CAGE CLAMP® ▶ Actuation type: Operating tool ▶ Mounting type: Locking claw ▶ 4 mm² ▶ Pin spacing: 7 mm / 0.276 inch



- Feedthrough terminal blocks with screwdriver-actuated CAGE CLAMP® on both sides
- Easy, tool-free installation
- Direct ground contact with enclosure/panel
- Test ports available on both sides

Electrical Data						
Pin spacing	7 mm / 0.276 inch			7 mm / 0.276 inch		
Terminal block assembly	Modular terminal block; Terminal strip including end plate; including end plate and retaining clip			Modular terminal block including end plate		
Lieferumfang						
Farbe	gray					
Ratings per	IEC/EN 60664-1			IEC/EN 60664-1		
Overvoltage category	III	III	II	III	III	II
Pollution degree	3	2	2	3	2	2
Rated voltage	320 V	320 V	630 V	320 V	320 V	630 V
Rated impulse voltage	4 kV	4 kV	4 kV	4 kV	6 kV	4 kV
Rated current	32 A	32 A	32 A	32 A	32 A	32 A
Approbations per	UL 1059			UL 1059		
Use group	B	C	D	B	C	D
Rated voltage	300 V	150 V	300 V	300 V	150 V	300 V
Rated current	20 A	20 A	10 A	20 A	20 A	10 A
Approbations per	CSA			CSA		
Use group	B	C	D	B	C	D
Rated voltage	300 V	150 V	300 V	300 V	150 V	300 V
Rated current	20 A	20 A	10 A	20 A	20 A	10 A

Connection Data	
Connection technology	CAGE CLAMP®
Strip length	9 ... 10 mm / 0.35 ... 0.39 inch
Solid conductor	0.08 ... 4 mm ² / 28 ... 12 AWG
Fine-stranded conductor	0.08 ... 4 mm ² / 28 ... 12 AWG
Fine-stranded conductor; with insulated ferrule	0.25 ... 2.5 mm ²
Fine-stranded conductor; with uninsulated ferrule	0.25 ... 2.5 mm ²

Material Data	
Material group	I
Insulation material	Polyamide (PA66)
Flammability class per UL94	V0
Clamping spring material	Chrome nickel spring steel (CrNi)
Contact material	Electrolytic copper (E _{cu})
Contact plating	Tin-plated

Environmental Requirements	
Limit temperature range	-60 ... +105 °C

Ferrule Page 879

Marking Page 865

Test and measurement Page 886

Tool Page 870

See technical section for further information

For approvals and corresponding ratings, visit www.wago.com

Feedthrough terminal block ▶ 826 Series

CAGE CLAMP® ▶ Actuation type: Operating tool ▶ Mounting type: Locking claw ▶ 4 mm² ▶ Pin spacing: 7 mm / 0.276 inch

Modular terminal block

Modular terminal block ▶ Scope of delivery including end plate

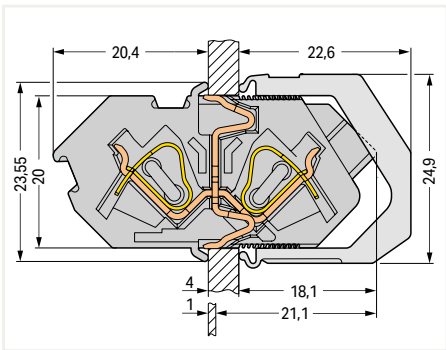


826-160

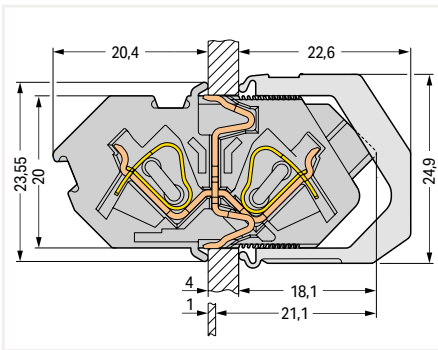
826-159

Color	Item No.	PU (SPU)
gray	826-160	50 (25)
blue	826-160/000-006	50 (25)
green-yellow	826-160/000-016	50 (25)

Color	Item No.	PU (SPU)
gray	826-159	50 (25)
blue	826-159/000-006	50 (25)
green-yellow	826-159/000-016	50 (25)



Cut-out dimensions: H = 20.1^{+0.1} mm; L = (pole no. x 7 mm) + 1.6^{+0.1} mm



Cut-out dimensions: H = 20.1^{+0.1} mm; L = (pole no. x 7 mm) + 1.6^{+0.1} mm

Accessories; for all products on this page



Retaining clip (as replacement); Color: gray		
Item No.	PU (SPU)	
826-155	50 (25)	
826-156	50 (25)	
826-157	50 (25)	

End plate; Width: 1.5 mm		
Color	Item No.	PU (SPU)
gray	826-158	100 (25)
blue	826-158/000-006	100 (25)
green-yellow	826-158/000-016	100 (25)

PU = Packaging Unit; SPU = Subpackaging Unit; Dimensions in mm

Other versions (or variants) can be requested from WAGO Sales or configured at <https://configurator.wago.com/>.

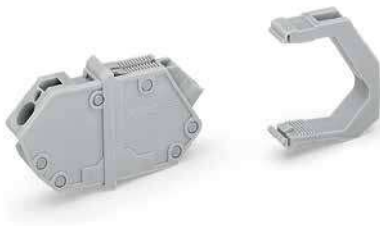
- Other pole numbers
- Other colors
- Direct marking

Feedthrough terminal block ▶ 826 Series

CAGE CLAMP® ▶ Actuation type: Operating tool ▶ Mounting type: Locking claw ▶ 4 mm² ▶ Pin spacing: 7 mm / 0.276 inch

Modular terminal block ▶ Scope of delivery including end plate and retaining clip

Terminal strip ▶ Scope of delivery including end plate and retaining clip



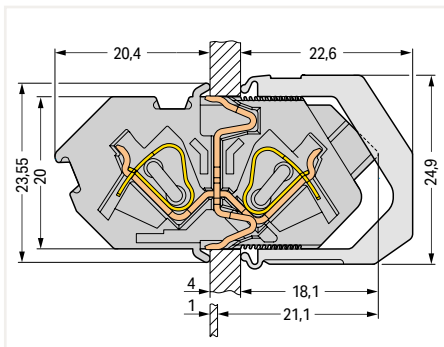
826-161



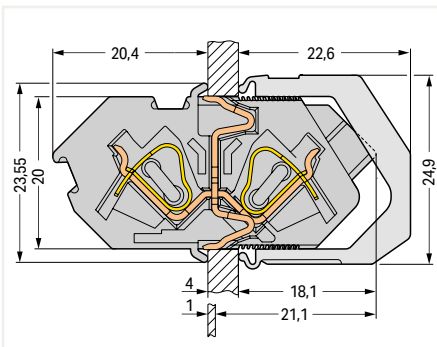
826-172

Color	Item No.	PU
● gray	826-161	50

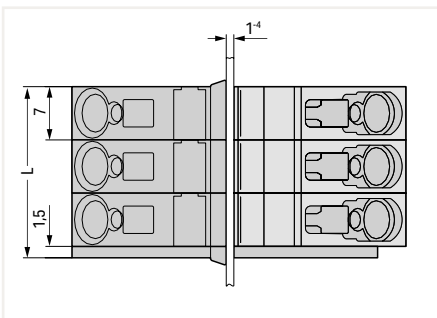
Pole No.	Item No.	PU
2	826-162	50
3	826-163	50
4	826-164	50
5	826-165	50
6	826-166	50
7	826-167	25
8	826-168	25
9	826-169	25
10	826-170	25
11	826-171	10
12	826-172	10



Cut-out dimensions: H = 20.1^{+0.1} mm; L = (pole no. x 7 mm) + 1.6^{+0.1} mm



Cut-out dimensions: H = 20.1^{+0.1} mm; L = (pole no. x 7 mm) + 1.6^{+0.1} mm



L = (pole no. x 7 mm) + 1.6 mm

12

PU = Packaging Unit; SPU = Subpackaging Unit; Dimensions in mm

Other versions (or variants) can be requested from WAGO Sales or configured at <https://configurator.wago.com/>.

- Other pole numbers
- Other colors
- Direct marking

Feedthrough terminal block ▶ 226 Series

CAGE CLAMP® ▶ Wire-wrap pin ▶ Actuation type: Operating tool ▶ Mounting type: Snap-in foot ▶ 4 mm² ▶ Pin spacing: 6 mm / 0.236 inch ▶ Modular terminal block



- Modular through terminal blocks with screwdriver-actuated CAGE CLAMP®
- Tool-free insertion into sheet metal cutout
- Conductor entry parallel to enclosure wall saves space

Electrical Data

Pin spacing	6 mm / 0.236 inch		
Ratings per	IEC/EN 60664-1		
Overvoltage category	III	III	II
Pollution degree	3	2	2
Rated voltage	320 V	320 V	630 V
Rated impulse voltage	4 kV	4 kV	4 kV
Rated current	4 A	4 A	4 A
Approbations per	UL 1059		
Use group	B	C	D
Rated voltage	300 V	300 V	600 V
Rated current	4 A	4 A	4 A
Approbations per	CSA		
Use group	B	C	D
Rated voltage	300 V	-	600 V
Rated current	4 A	-	4 A

Connection Data

Connection technology	CAGE CLAMP®
Number of connection points (connection type)	1
Strip length	9 ... 10 mm / 0.35 ... 0.39 inch
Solid conductor	0.08 ... 4 mm ² / 28 ... 12 AWG
Fine-stranded conductor	0.08 ... 4 mm ² / 28 ... 12 AWG
Fine-stranded conductor; with insulated ferrule	0.25 ... 2.5 mm ²
Fine-stranded conductor; with uninsulated ferrule	0.25 ... 2.5 mm ²
Connection technology 2	Wire-wrap pin
Number of connection points	1

Material Data

Material group	I
Insulation material	Polyamide (PA66)
Flammability class per UL94	V0
Clamping spring material	Chrome nickel spring steel (CrNi)
Contact material	Electrolytic copper (E _{cu})
Contact plating	Tin-plated

Environmental Requirements

Limit temperature range	-60 ... +105 °C
-------------------------	-----------------

Ferrule Page 879

Test and measurement Page 886

Tool Page 870

See technical section for further information

For approvals and corresponding ratings, visit www.wago.com

Feedthrough terminal block ▶ 226 Series

CAGE CLAMP® ▶ Wire-wrap pin ▶ Actuation type: Operating tool ▶ Mounting type: Snap-in foot ▶ 4 mm² ▶ Pin spacing: 6 mm / 0.236 inch ▶ Modular terminal block

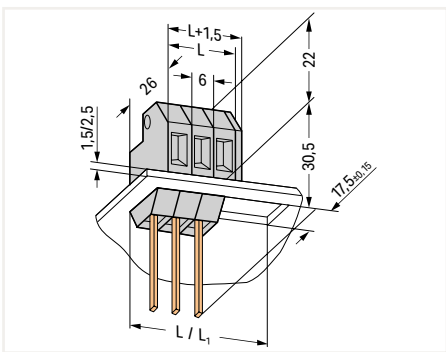
Housing sheet thickness (max.): 1.5 mm

Housing sheet thickness (max.): 2.5 mm

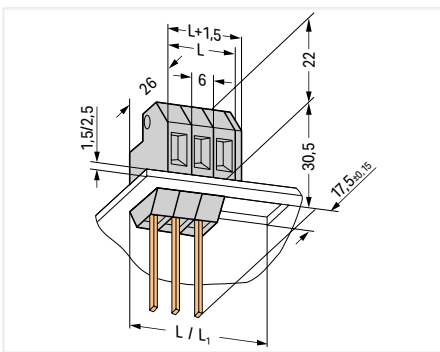


Color	Item No.	PU
● gray	226-102	150

Color	Item No.	PU
● gray	226-112	150



L = pole no. x 6 mm
L₁ = L + 1.5 mm



L = pole no. x 6 mm
L₁ = L + 1.5 mm

Accessories; for all products on this page



Intermediate plate; Width: 6 mm; Mounting type: Feed-through mounting; Color: gray

Housing sheet thickness (max.)	Item No.	PU (SPU)
1.5 mm	226-109	100 (25)
2.5 mm	226-119	100 (25)



End plate; Width: 1.5 mm; Design: long

Color	Item No.	PU (SPU)
● gray	226-110	100 (25)



End plate; Width: 1.5 mm; Design: short

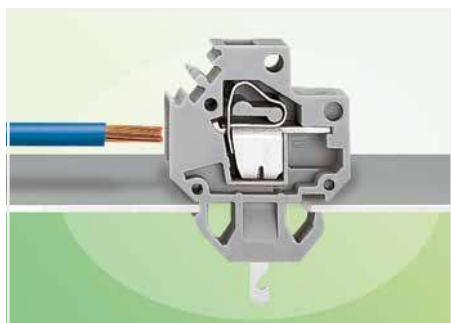
Color	Item No.	PU (SPU)
● gray	226-120	100 (25)

PU = Packaging Unit; SPU = Subpackaging Unit; Dimensions in mm

Feedthrough terminal block ▶ 226 Series

CAGE CLAMP® ▶ Solder connection ▶ Quick connect contact ▶ Actuation type: Operating tool ▶

Mounting type: Snap-in foot ▶ 4 mm² ▶ Pin spacing: 6 mm / 0.236 inch ▶ Modular terminal block



- Modular through terminal blocks with screwdriver-actuated CAGE CLAMP®
- Tool-free insertion into sheet metal cutout
- Conductor entry parallel to enclosure wall saves space

Electrical Data			
Pin spacing	6 mm / 0.236 inch		
Solder connection			
Ratings per	IEC/EN 60664-1		
Overtoltage category	III	III	II
Pollution degree	3	2	2
Rated voltage	320 V	320 V	630 V
Rated impulse voltage	4 kV	4 kV	4 kV
Rated current	20 A	20 A	20 A
Approbations per	UL 1059		
Use group	B	C	D
Rated voltage	300 V	300 V	600 V
Rated current	6 A	6 A	5 A
Approbations per	CSA		
Use group	B	C	D
Rated voltage	300 V	-	600 V
Rated current	6 A	-	5 A
Quick connect contact			
Ratings per	IEC/EN 60664-1		
Overtoltage category	III	III	II
Pollution degree	3	2	2
Rated voltage	320 V	320 V	630 V
Rated impulse voltage	4 kV	4 kV	4 kV
Rated current	6 A	6 A	6 A
Connection Data			
Connection technology	CAGE CLAMP®		
Number of connection points (connection type)	1		
Strip length	9 ... 10 mm / 0.35 ... 0.39 inch		
Solid conductor	0.08 ... 4 mm ² / 28 ... 12 AWG		
Fine-stranded conductor	0.08 ... 4 mm ² / 28 ... 12 AWG		
Fine-stranded conductor; with insulated ferrule	0.25 ... 2.5 mm ²		
Fine-stranded conductor; with uninsulated ferrule	0.25 ... 2.5 mm ²		
Connection technology 2	Solder connection		
Number of connection points	1		
Connection technology 3	Quick connect contact		
Material Data			
Material group	I		
Insulation material	Polyamide (PA66)		
Flammability class per UL94	V0		
Clamping spring material	Chrome nickel spring steel (CrNi)		
Contact material	Electrolytic copper (E _{cu})		
Contact plating	Tin-plated		
Environmental Requirements			
Limit temperature range	-60 ... +105 °C		

Ferrule Page 879

Test and measurement Page 886

Tool Page 870

See technical section for further information

For approvals and corresponding ratings, visit www.wago.com

Feedthrough terminal block ▶ 226 Series

CAGE CLAMP® ▶ Solder connection ▶ Quick connect contact ▶ Actuation type: Operating tool ▶ Mounting type: Snap-in foot ▶ 4 mm² ▶ Pin spacing: 6 mm / 0.236 inch ▶ Modular terminal block

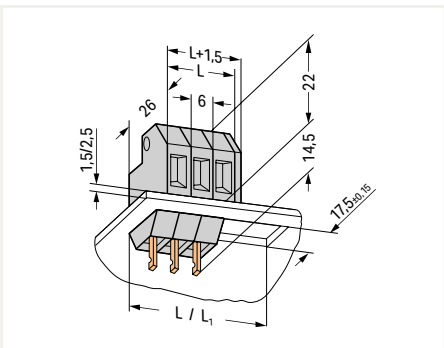
Housing sheet thickness (max.): 1.5 mm

Housing sheet thickness (max.): 2.5 mm

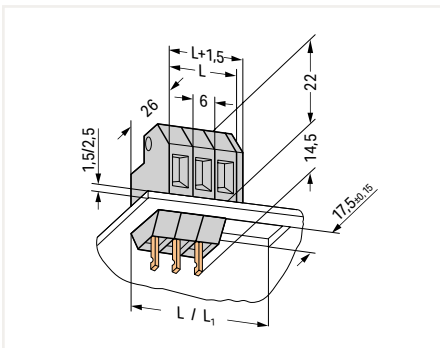


Solder pin dimensions	Item No.	PU
2.8 x 0.8 mm	226-101	200
4.8 x 0.8 mm	226-104	200

Solder pin dimensions	Item No.	PU
2.8 x 0.8 mm	226-111	200
4.8 x 0.8 mm	226-114	200



L = pole no. x 6 mm
L₁ = L + 1.5 mm



L = pole no. x 6 mm
L₁ = L + 1.5 mm

Accessories; for all products on this page



Intermediate plate; Width: 6 mm; Mounting type: Feed-through mounting; Color: gray		
Housing sheet thickness (max.)	Item No.	PU (SPU)
1.5 mm	226-109	100 (25)
2.5 mm	226-119	100 (25)



End plate; Width: 1.5 mm; Design: long		
Color	Item No.	PU (SPU)
● gray	226-110	100 (25)



End plate; Width: 1.5 mm; Design: short		
Color	Item No.	PU (SPU)
● gray	226-120	100 (25)

PU = Packaging Unit; SPU = Subpackaging Unit; Dimensions in mm

Ground conductor feedthrough terminal block ▶ 226 Series

CAGE CLAMP® ▶ Solder connection ▶ Quick connect contact ▶ Actuation type: Operating tool ▶ Ground protection ▶ Mounting type: Snap-in foot ▶ 4 mm² ▶ Pin spacing: 6 mm / 0.236 inch ▶ Modular terminal block ▶ Housing sheet thickness (max.): 1.5 mm



- Modular through terminal blocks with screwdriver-actuated CAGE CLAMP®
- Tool-free insertion into sheet metal cutout
- Conductor entry parallel to enclosure wall saves space

Electrical Data			
Pin spacing	6 mm / 0.236 inch		
Solder connection			
Ratings per	IEC/EN 60664-1		
Overtoltage category	III	III	II
Pollution degree	3	2	2
Rated voltage	320 V	630 V	630 V
Rated impulse voltage	4 kV	4 kV	4 kV
Rated current	20 A	20 A	20 A
Approbations per	UL 1059		
Use group	B	C	D
Rated voltage	300 V	300 V	600 V
Rated current	6 A	6 A	5 A
Approbations per	CSA		
Use group	B	C	D
Rated voltage	300 V	-	600 V
Rated current	6 A	-	5 A
Quick connect contact			
Ratings per	IEC/EN 60664-1		
Overtoltage category	III	III	II
Pollution degree	3	2	2
Rated voltage	320 V	320 V	630 V
Rated impulse voltage	4 kV	4 kV	4 kV
Rated current	6 A	6 A	6 A
Connection Data			
Connection technology	CAGE CLAMP®		
Number of connection points (connection type)	1		
Strip length	9 ... 10 mm / 0.35 ... 0.39 inch		
Solid conductor	0.08 ... 4 mm ² / 28 ... 12 AWG		
Fine-stranded conductor	0.08 ... 4 mm ² / 28 ... 12 AWG		
Fine-stranded conductor; with insulated ferrule	0.25 ... 2.5 mm ²		
Fine-stranded conductor; with uninsulated ferrule	0.25 ... 2.5 mm ²		
Connection technology 2	Solder connection		
Number of connection points	1		
Connection technology 3	Quick connect contact		
Material Data			
Material group	I		
Insulation material	Polyamide (PA66)		
Flammability class per UL94	V0		
Clamping spring material	Chrome nickel spring steel (CrNi)		
Contact material	Electrolytic copper (E _{cu})		
Contact plating	Tin-plated		
Mechanical Data			
Solder pin dimensions	4.8 x 0.8 mm		
Environmental Requirements			
Limit temperature range	-60 ... +105 °C		

Ferrule Page 879

Test and measurement Page 886

Tool Page 870

See technical section for further information

For approvals and corresponding ratings, visit www.wago.com

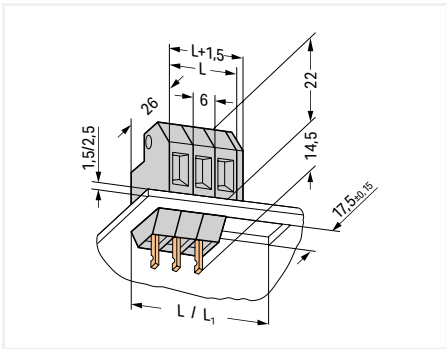
Ground conductor feedthrough terminal block ▶ 226 Series

CAGE CLAMP® ▶ Solder connection ▶ Quick connect contact ▶ Actuation type: Operating tool ▶ Ground protection ▶ Mounting type: Snap-in foot ▶ 4 mm² ▶ Pin spacing: 6 mm / 0.236 inch ▶ Modular terminal block ▶ Housing sheet thickness (max.): 1.5 mm



226-107

Color	Solder pin dimensions	Item No.	PU
● green-yellow	4.8 x 0.8 mm	226-107	200



L = pole no. x 6 mm
L₁ = L + 1.5 mm

Accessories; for all products on this page



Intermediate plate; Width: 6 mm; Mounting type: Feed-through mounting; Color: gray		
Housing sheet thickness (max.)	Item No.	PU (SPU)
1.5 mm	226-109	100 (25)
2.5 mm	226-119	100 (25)



End plate; Width: 1.5 mm; Design: long		
Color	Item No.	PU (SPU)
● gray	226-110	100 (25)



End plate; Width: 1.5 mm; Design: short		
Color	Item No.	PU (SPU)
● gray	226-120	100 (25)

PU = Packaging Unit; SPU = Subpackaging Unit; Dimensions in mm

Feedthrough terminal block ▶ 226 Series

CAGE CLAMP® ▶ Contact pin ▶ Actuation type: Operating tool ▶ Mounting type: Snap-in foot ▶ 4 mm² ▶ Pin spacing: 6 mm / 0.236 inch ▶ Modular terminal block



- Modular through terminal blocks with screwdriver-actuated CAGE CLAMP®
- Tool-free insertion into sheet metal cutout
- Conductor entry parallel to enclosure wall saves space

Electrical Data

Pin spacing	6 mm / 0.236 inch		
Ratings per	IEC/EN 60664-1		
Overvoltage category	III	III	II
Pollution degree	3	2	2
Rated voltage	320 V	320 V	630 V
Rated impulse voltage	4 kV	4 kV	4 kV
Rated current	4 A	4 A	4 A
Approbations per	UL 1059		
Use group	B	C	D
Rated voltage	300 V	300 V	600 V
Rated current	4 A	4 A	4 A
Approbations per	CSA		
Use group	B	C	D
Rated voltage	300 V	-	600 V
Rated current	4 A	-	4 A

Connection Data

Connection technology	CAGE CLAMP®
Number of connection points (connection type)	1
Strip length	9 ... 10 mm / 0.35 ... 0.39 inch
Solid conductor	0.08 ... 4 mm ² / 28 ... 12 AWG
Fine-stranded conductor	0.08 ... 4 mm ² / 28 ... 12 AWG
Fine-stranded conductor; with insulated ferrule	0.25 ... 2.5 mm ²
Fine-stranded conductor; with uninsulated ferrule	0.25 ... 2.5 mm ²
Connection technology 2	Contact pin
Number of connection points	1

Material Data

Material group	I
Insulation material	Polyamide (PA66)
Flammability class per UL94	V0
Clamping spring material	Chrome nickel spring steel (CrNi)
Contact material	Electrolytic copper (E _{cu})
Contact plating	Tin-plated

Environmental Requirements

Limit temperature range	-60 ... +105 °C
-------------------------	-----------------

Ferrule Page 879

Test and measurement Page 886

Tool Page 870

See technical section for further information

For approvals and corresponding ratings, visit www.wago.com

Feedthrough terminal block ▶ 226 Series

CAGE CLAMP® ▶ Contact pin ▶ Actuation type: Operating tool ▶ Mounting type: Snap-in foot ▶ 4 mm² ▶ Pin spacing: 6 mm / 0.236 inch ▶ Modular terminal block

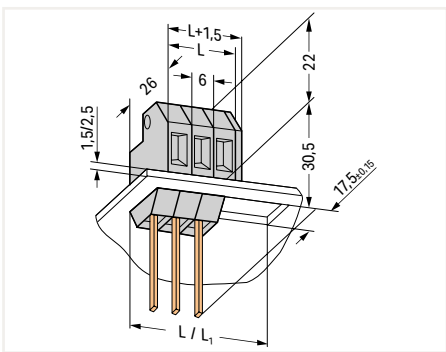
Housing sheet thickness (max.): 1.5 mm

Housing sheet thickness (max.): 2.5 mm

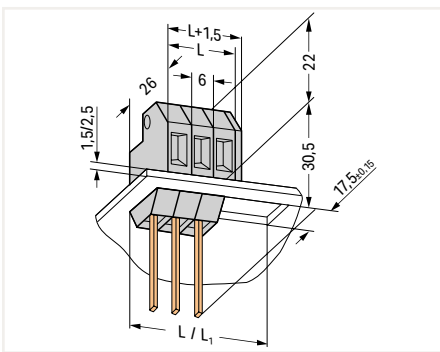


Color	Item No.	PU
● gray	226-103	150

Color	Item No.	PU
● gray	226-113	150



L = pole no. x 6 mm
L₁ = L + 1.5 mm



L = pole no. x 6 mm
L₁ = L + 1.5 mm

Accessories; for all products on this page



Intermediate plate; Width: 6 mm; Mounting type: Feed-through mounting; Color: gray		
Housing sheet thickness (max.)	Item No.	PU (SPU)
1.5 mm	226-109	100 (25)
2.5 mm	226-119	100 (25)



End plate; Width: 1.5 mm; Design: long		
Color	Item No.	PU (SPU)
● gray	226-110	100 (25)



End plate; Width: 1.5 mm; Design: short		
Color	Item No.	PU (SPU)
● gray	226-120	100 (25)

PU = Packaging Unit; SPU = Subpackaging Unit; Dimensions in mm

Ground conductor feedthrough terminal block ▶ 226 Series

CAGE CLAMP® ▶ Actuation type: Operating tool ▶ with direct ground contact ▶ Mounting type: Snap-in foot ▶ 4 mm² ▶ Pin spacing: 6 mm / 0.236 inch ▶ Modular terminal block ▶ Housing sheet thickness (max.): 1.5 mm



- Modular through terminal blocks with screwdriver-actuated CAGE CLAMP®
- Tool-free insertion into sheet metal cutout
- Conductor entry parallel to enclosure wall saves space

Connection Data

Connection technology	CAGE CLAMP®
Number of connection points (connection type)	1
Strip length	9 ... 10 mm / 0.35 ... 0.39 inch
Solid conductor	0.08 ... 4 mm ² / 28 ... 12 AWG
Fine-stranded conductor	0.08 ... 4 mm ² / 28 ... 12 AWG
Fine-stranded conductor; with insulated ferrule	0.25 ... 2.5 mm ²
Fine-stranded conductor; with uninsulated ferrule	0.25 ... 2.5 mm ²
Number of connection points	1

Material Data

Material group	I
Insulation material	Polyamide (PA66)
Flammability class per UL94	V0
Clamping spring material	Chrome nickel spring steel (CrNi)
Contact material	Electrolytic copper (E _{cu})
Contact plating	Tin-plated

Environmental Requirements

Limit temperature range	-60 ... +105 °C
-------------------------	-----------------

Ferrule Page 879

Test and measurement Page 886

Tool Page 870

See technical section for further information


For approvals and corresponding ratings, visit www.wago.com

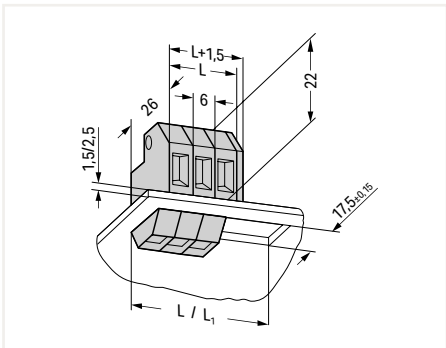
Ground conductor feedthrough terminal block ▶ 226 Series

CAGE CLAMP® ▶ Actuation type: Operating tool ▶ with direct ground contact ▶ Mounting type: Snap-in foot ▶ 4 mm² ▶ Pin spacing: 6 mm / 0.236 inch ▶ Modular terminal block ▶ Housing sheet thickness (max.): 1.5 mm



226-108

Color	Item No.	PU
 green-yellow	226-108	200



Accessories; for all products on this page




Intermediate plate; Width: 6 mm; Mounting type: Feed-through mounting; Color: gray

Housing sheet thickness (max.)	Item No.	PU (SPU)
1.5 mm	226-109	100 (25)
2.5 mm	226-119	100 (25)




End plate; Width: 1.5 mm; Design: long

Color	Item No.	PU (SPU)
 gray	226-110	100 (25)



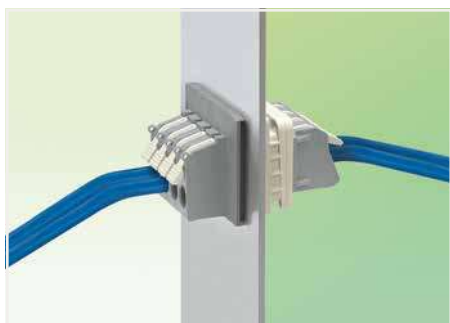
End plate; Width: 1.5 mm; Design: short

Color	Item No.	PU (SPU)
 gray	226-120	100 (25)

PU = Packaging Unit; SPU = Subpackaging Unit; Dimensions in mm

Feedthrough terminal block ▶ 828 Series

CAGE CLAMP® ▶ Actuation type: Lever ▶ Mounting type: Locking claw ▶ 16 mm² ▶ Pin spacing: 11.5 mm / 0.453 inch ▶ Terminal strip ▶ Housing sheet thickness (max.): 3 mm



- Feedthrough terminal strips with CAGE CLAMP® on both sides
- Easy, tool-free installation
- Tool-free termination – fingers open/close levers
- Several clamping units can be held open simultaneously – convenient for terminating multi-core cables
- 600 V UL

Electrical Data			
Pin spacing	11.5 mm / 0.453 inch		
Ratings per	IEC/EN 60664-1		
Overvoltage category	III	III	II
Pollution degree	3	2	2
Rated voltage	1000 V	1000 V	1000 V
Rated impulse voltage	8 kV	8 kV	8 kV
Rated current	57 A	57 A	57 A
Approbations per	UL 1059		
Use group	B	C	D
Rated voltage	600 V	600 V	-
Rated current	30 A	30 A	-
Approbations per	CSA		
Use group	B	C	D
Rated voltage	600 V	600 V	-
Rated current	30 A	30 A	-
Connection Data			
Connection technology	CAGE CLAMP®		
Strip length	12 ... 13 mm / 0.47 ... 0.51 inch		
Solid conductor	1.5 ... 16 mm ² / 16 ... 6 AWG		
Fine-stranded conductor	1.5 ... 16 mm ² / 16 ... 6 AWG		
Fine-stranded conductor; with insulated ferrule	1.5 ... 10 mm ²		
Fine-stranded conductor; with uninsulated ferrule	1.5 ... 10 mm ²		
Material Data			
Material group	I		
Insulation material	Polyamide (PA66)		
Flammability class per UL94	V0		
Clamping spring material	Chrome nickel spring steel (CrNi)		
Contact material	Electrolytic copper (E _{Cu})		
Contact plating	Tin-plated		
Environmental Requirements			
Limit temperature range	-60 ... +105 °C		

For other lengths, please contact factory.

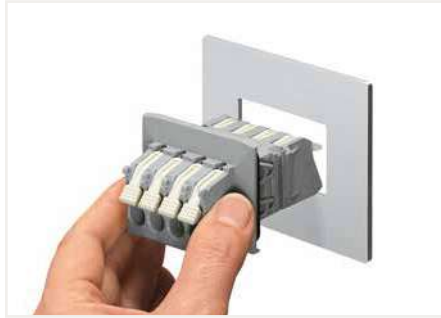
Ferrule Page 879

See technical section for further information

For approvals and corresponding ratings, visit www.wago.com

Feedthrough terminal block ▶ 828 Series

CAGE CLAMP® ▶ Actuation type: Lever ▶ Mounting type: Locking claw ▶ 16 mm² ▶ Pin spacing: 11.5 mm / 0.453 inch ▶ Terminal strip ▶ Housing sheet thickness (max.): 3 mm

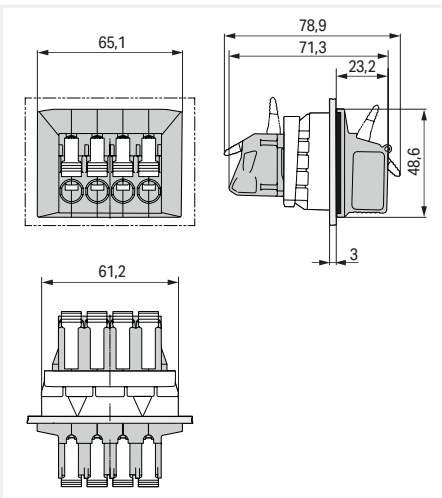


828-334 Insert terminal strip from the outside.

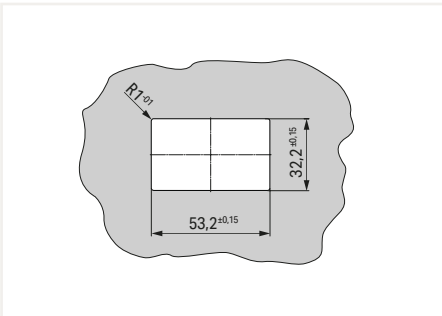
Color	Pole No.	Item No.	PU
● gray	4	828-334	15



Snap the panel thickness adapter on from the inside.



Secure to panel via locking clip.



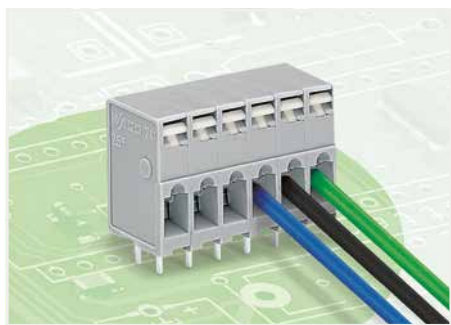
Mounted feedthrough terminal strip (internal)

PU = Packaging Unit; SPU = Subpackaging Unit; Dimensions in mm

Other versions (or variants) can be requested from WAGO Sales or configured at <https://configurator.wago.com/>.

- Other pole numbers
- Adapters for varying sheet panel thicknesses
- Direct marking

PCB terminal block ▶ 741 Series

CAGE CLAMP® ▶ Actuation type: Push-button ▶ 2.5 mm² ▶ Terminal strip

- Feedthrough PCB terminal strips with push-button actuated CAGE CLAMP®
- Simple, push-button wiring
- Test slot integrated into upper-portion of conductor entry for test pins

Electrical Data									
Pin spacing	5 mm / 0.197 inch			7.5 mm / 0.295 inch			10 mm / 0.394 inch		
Ratings per	IEC/EN 60664-1			IEC/EN 60664-1			IEC/EN 60664-1		
Overvoltage category	III	III	II	III	III	II	III	III	II
Pollution degree	3	2	2	3	2	2	3	2	2
Rated voltage	250 V	320 V	630 V	400 V	630 V	1000 V	630 V	1000 V	1000 V
Rated impulse voltage	4 kV	4 kV	4 kV	6 kV	6 kV	6 kV	8 kV	8 kV	8 kV
Rated current	16 A	16 A	16 A	16 A	16 A	16 A	16 A	16 A	16 A
Approbations per	UL 1059			UL 1059			UL 1059		
Use group	B	C	D	B	C	D	B	C	D
Rated voltage	300 V	-	300 V	300 V	-	300 V	300 V	-	300 V
Rated current	10 A	-	10 A	10 A	-	10 A	10 A	-	10 A
Approbations per	CSA			CSA			CSA		
Use group	B	C	D	B	C	D	B	C	D
Rated voltage	300 V	-	300 V	300 V	-	300 V	300 V	-	300 V
Rated current	16 A	-	10 A	16 A	-	10 A	16 A	-	10 A
Connection Data									
Connection technology	CAGE CLAMP®								
Strip length	5 ... 6 mm / 0.2 ... 0.24 inch								
Conductor connection direction to PCB	0°								
Solid conductor	0.08 ... 2.5 mm ² / 28 ... 12 AWG								
Fine-stranded conductor	0.08 ... 2.5 mm ² / 28 ... 12 AWG								
Fine-stranded conductor; with insulated ferrule	0.25 ... 1.5 mm ²								
Fine-stranded conductor; with uninsulated ferrule	0.25 ... 1.5 mm ²								
Material Data									
Material group	I								
Insulation material	Polyamide (PA66)								
Flammability class per UL94	V0								
Clamping spring material	Chrome nickel spring steel (CrNi)								
Contact material	Electrolytic copper (E _{cu})								
Contact plating	Tin-plated								
Mechanical Data									
Solder pin arrangement	Over the entire terminal strip (in-line)								
Solder pin length	4 mm								
Solder pin dimensions	0.7 x 0.7 mm								
Drilled hole diameter with tolerance	1.1 ^(+0.1) mm								
Environmental Requirements									
Limit temperature range	-60 ... +105 °C								

Ferrule Page 879

Marking Page 865

Tool Page 870

See technical section for further information

For approvals and corresponding ratings, visit www.wago.com

PCB terminal block ▶ 741 Series

CAGE CLAMP® ▶ Actuation type: Push-button ▶ 2.5 mm² ▶ Terminal strip

Pin spacing: 5 mm / 0.197 inch

Pin spacing: 7.5 mm / 0.295 inch

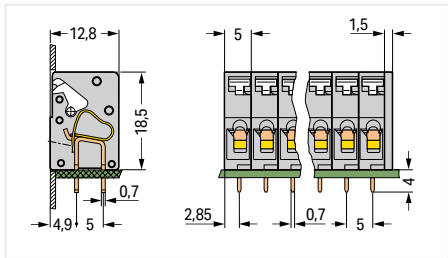
Pin spacing: 10 mm / 0.394 inch



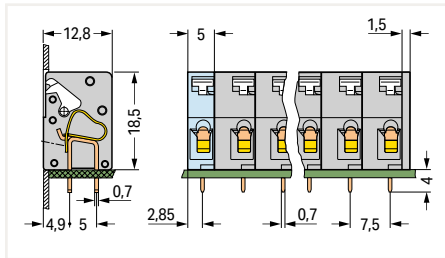
Pole No.	Item No.	PU (SPU)
2	741-102	400 (100)
3	741-103	280 (70)
4	741-104	220 (55)
5	741-105	180 (45)
6	741-106	140 (35)
7	741-107	120 (30)
8	741-108	100 (25)
9	741-109	100 (25)
10	741-110	80 (20)
12	741-112	60 (15)
16	741-116	40 (10)

Pole No.	Item No.	PU (SPU)
2	741-302	340 (85)
3	741-303	220 (55)
4	741-304	160 (40)
5	741-305	120 (30)
6	741-306	100 (25)
7	741-307	80 (20)
8	741-308	80 (20)
9	741-309	60 (15)
10	741-310	60 (15)

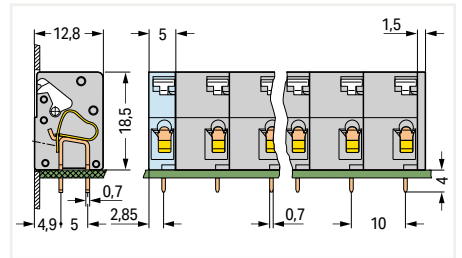
Pole No.	Item No.	PU (SPU)
2	741-502	280 (70)
3	741-503	160 (40)
4	741-504	120 (30)
5	741-505	100 (25)
6	741-506	80 (20)
7	741-507	60 (15)
8	741-508	60 (15)



Total length = (pole no. x pin spacing) + 1.5 mm



Total length = (pole no. - 1) x pin spacing + 5 mm + 1.5 mm



Total length = (pole no. - 1) x pin spacing + 5 mm + 1.5 mm

PU = Packaging Unit; SPU = Subpackaging Unit; Dimensions in mm

Other versions (or variants) can be requested from WAGO Sales or configured at <https://configurator.wago.com/>.

- Other pole numbers
- Other colors
- Direct marking

PCB terminal block ▶ 741 Series

CAGE CLAMP® ▶ Actuation type: Push-button ▶ Mounting type: Mounting flange ▶ 2.5 mm² ▶ Terminal strip



- Feedthrough PCB terminal strips with push-button actuated CAGE CLAMP®
- Simple, push-button wiring
- Test slot integrated into upper-portion of conductor entry for test pins
- Mounting flanges for additional mechanical stability

Electrical Data									
Pin spacing	5 mm / 0.197 inch			7.5 mm / 0.295 inch			10 mm / 0.394 inch		
Ratings per	IEC/EN 60664-1			IEC/EN 60664-1			IEC/EN 60664-1		
Overvoltage category	III	III	II	III	III	II	III	III	II
Pollution degree	3	2	2	3	2	2	3	2	2
Rated voltage	250 V	320 V	630 V	400 V	630 V	1000 V	630 V	1000 V	1000 V
Rated impulse voltage	4 kV	4 kV	4 kV	6 kV	6 kV	6 kV	8 kV	8 kV	8 kV
Rated current	16 A	16 A	16 A	16 A	16 A	16 A	16 A	16 A	16 A
Approbations per	UL 1059			UL 1059			UL 1059		
Use group	B	C	D	B	C	D	B	C	D
Rated voltage	300 V	-	300 V	300 V	-	300 V	300 V	-	300 V
Rated current	10 A	-	10 A	10 A	-	10 A	10 A	-	10 A
Approbations per	CSA			CSA			CSA		
Use group	B	C	D	B	C	D	B	C	D
Rated voltage	300 V	-	300 V	300 V	-	300 V	300 V	-	300 V
Rated current	16 A	-	10 A	16 A	-	10 A	16 A	-	10 A
Connection Data									
Connection technology	CAGE CLAMP®								
Strip length	5 ... 6 mm / 0.2 ... 0.24 inch								
Conductor connection direction to PCB	0°								
Solid conductor	0.08 ... 2.5 mm ² / 28 ... 12 AWG								
Fine-stranded conductor	0.08 ... 2.5 mm ² / 28 ... 12 AWG								
Fine-stranded conductor; with insulated ferrule	0.25 ... 1.5 mm ²								
Fine-stranded conductor; with uninsulated ferrule	0.25 ... 1.5 mm ²								
Material Data									
Material group	I								
Insulation material	Polyamide (PA66)								
Flammability class per UL94	V0								
Clamping spring material	Chrome nickel spring steel (CrNi)								
Contact material	Electrolytic copper (E _{cu})								
Contact plating	Tin-plated								
Mechanical Data									
Solder pin arrangement	Over the entire terminal strip (in-line)								
Solder pin length	4 mm								
Solder pin dimensions	0.7 x 0.7 mm								
Drilled hole diameter with tolerance	1.1 ^(+0.1) mm								
Environmental Requirements									
Limit temperature range	-60 ... +105 °C								

Ferrule Page 879

Marking Page 865

Tool Page 870

See technical section for further information

For approvals and corresponding ratings, visit www.wago.com

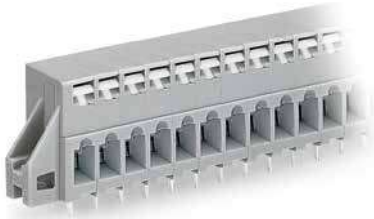
PCB terminal block ▶ 741 Series

CAGE CLAMP® ▶ Actuation type: Push-button ▶ Mounting type: Mounting flange ▶ 2.5 mm² ▶ Terminal strip

Pin spacing: 5 mm / 0.197 inch

Pin spacing: 7.5 mm / 0.295 inch

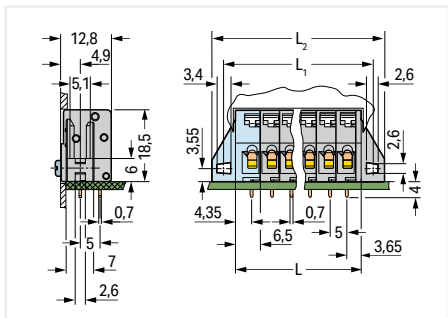
Pin spacing: 10 mm / 0.394 inch



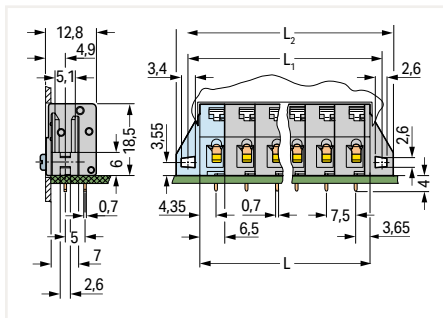
Pole No.	Item No.	PU (SPU)
2	741-132	180 (45)
3	741-133	160 (40)
4	741-134	140 (35)
5	741-135	120 (30)
6	741-136	100 (25)
7	741-137	80 (20)
8	741-138	80 (20)
9	741-139	80 (20)
10	741-140	60 (15)
12	741-142	60 (15)
16	741-146	40 (10)

Pole No.	Item No.	PU (SPU)
2	741-322	160 (40)
3	741-323	140 (35)
4	741-324	100 (25)
5	741-325	80 (20)
6	741-326	80 (20)
7	741-327	60 (15)
8	741-328	60 (15)
9	741-329	60 (15)
10	741-330	40 (10)

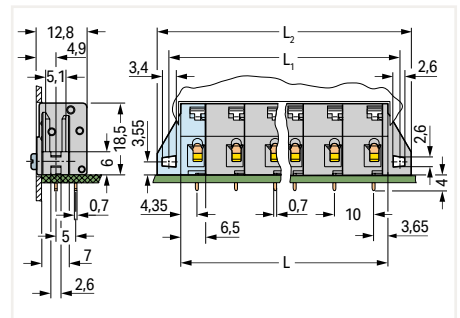
Pole No.	Item No.	PU (SPU)
2	741-522	160 (40)
3	741-523	120 (30)
4	741-524	80 (20)
5	741-525	80 (20)
6	741-526	60 (15)
7	741-527	60 (15)
8	741-528	40 (10)



$L = (\text{pole no.} - 1) \times \text{pin spacing} + 6.5 \text{ mm} + 1.5 \text{ mm}$
 $L_1 = L + 5.8 \text{ mm}$
 $L_2 = L_1 + 6.4 \text{ mm}$



$L = (\text{pole no.} - 1) \times \text{pin spacing} + 6.5 \text{ mm} + 1.5 \text{ mm}$
 $L_1 = L + 5.8 \text{ mm}$
 $L_2 = L_1 + 6.4 \text{ mm}$



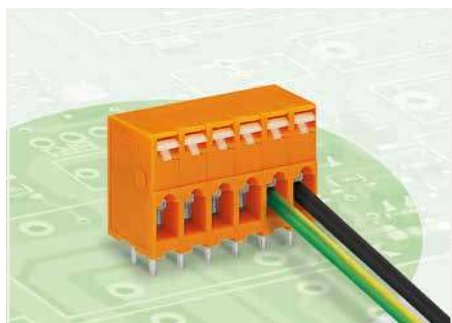
$L = (\text{pole no.} - 1) \times \text{pin spacing} + 6.5 \text{ mm} + 1.5 \text{ mm}$
 $L_1 = L + 5.8 \text{ mm}$
 $L_2 = L_1 + 6.4 \text{ mm}$

PU = Packaging Unit; SPU = Subpackaging Unit; Dimensions in mm

Other versions (or variants) can be requested from WAGO Sales or configured at <https://configurator.wago.com/>.

- Other pole numbers
- Other colors
- Direct marking

PCB terminal block ▶ 741 Series

CAGE CLAMP® ▶ Actuation type: Push-button ▶ 2.5 mm² ▶ Terminal strip

- Feedthrough PCB terminal strips with push-button actuated CAGE CLAMP®
- Simple, push-button wiring
- Test slot integrated into upper-portion of conductor entry for test pins

Electrical Data									
Pin spacing	5.08 mm / 0.2 inch			7.62 mm / 0.3 inch			10.16 mm / 0.4 inch		
Ratings per	IEC/EN 60664-1			IEC/EN 60664-1			IEC/EN 60664-1		
Overvoltage category	III	III	II	III	III	II	III	III	II
Pollution degree	3	2	2	3	2	2	3	2	2
Rated voltage	250 V	320 V	630 V	400 V	630 V	1000 V	630 V	1000 V	1000 V
Rated impulse voltage	4 kV	4 kV	4 kV	6 kV	6 kV	6 kV	8 kV	8 kV	8 kV
Rated current	16 A	16 A	16 A	16 A	16 A	16 A	16 A	16 A	16 A
Approbations per	UL 1059			UL 1059			UL 1059		
Use group	B	C	D	B	C	D	B	C	D
Rated voltage	300 V	-	300 V	300 V	-	300 V	300 V	-	300 V
Rated current	10 A	-	10 A	10 A	-	10 A	10 A	-	10 A
Approbations per	CSA			CSA			CSA		
Use group	B	C	D	B	C	D	B	C	D
Rated voltage	300 V	-	300 V	300 V	-	300 V	300 V	-	300 V
Rated current	16 A	-	10 A	16 A	-	10 A	16 A	-	10 A
Connection Data									
Connection technology	CAGE CLAMP®								
Strip length	5 ... 6 mm / 0.2 ... 0.24 inch								
Conductor connection direction to PCB	0°								
Solid conductor	0.08 ... 2.5 mm ² / 28 ... 12 AWG								
Fine-stranded conductor	0.08 ... 2.5 mm ² / 28 ... 12 AWG								
Fine-stranded conductor; with insulated ferrule	0.25 ... 1.5 mm ²								
Fine-stranded conductor; with uninsulated ferrule	0.25 ... 1.5 mm ²								
Material Data									
Material group	I								
Insulation material	Polyamide (PA66)								
Flammability class per UL94	V0								
Clamping spring material	Chrome nickel spring steel (CrNi)								
Contact material	Electrolytic copper (E _{cu})								
Contact plating	Tin-plated								
Mechanical Data									
Solder pin arrangement	Over the entire terminal strip (in-line)								
Solder pin length	4 mm								
Solder pin dimensions	0.7 x 0.7 mm								
Drilled hole diameter with tolerance	1.1 ^(+0.1) mm								
Environmental Requirements									
Limit temperature range	-60 ... +105 °C								

Ferrule Page 879

Marking Page 865

Tool Page 870

See technical section for further information

For approvals and corresponding ratings, visit www.wago.com

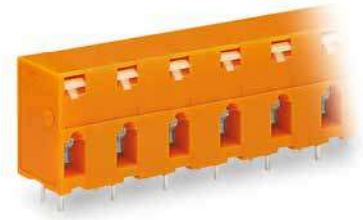
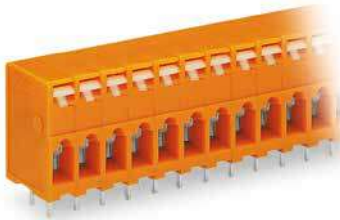
PCB terminal block ▶ 741 Series

CAGE CLAMP® ▶ Actuation type: Push-button ▶ 2.5 mm² ▶ Terminal strip

Pin spacing: 5.08 mm / 0.2 inch

Pin spacing: 7.62 mm / 0.3 inch

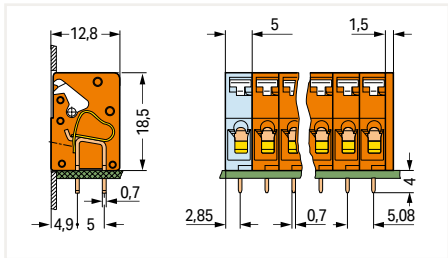
Pin spacing: 10.16 mm / 0.4 inch



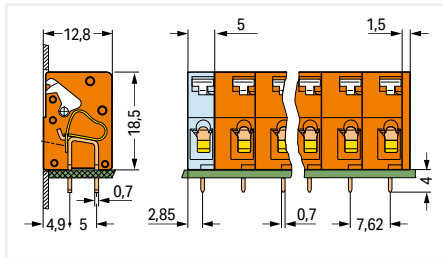
Pole No.	Item No.	PU (SPU)
2	741-202	400 (100)
3	741-203	280 (70)
4	741-204	220 (55)
5	741-205	160 (40)
6	741-206	140 (35)
7	741-207	120 (30)
8	741-208	100 (25)
9	741-209	100 (25)
10	741-210	80 (20)
12	741-212	60 (15)
16	741-216	40 (10)

Pole No.	Item No.	PU (SPU)
2	741-402	320 (80)
3	741-403	220 (55)
4	741-404	160 (40)
5	741-405	120 (30)
6	741-406	100 (25)
7	741-407	80 (20)
8	741-408	80 (20)
9	741-409	60 (15)
10	741-410	60 (15)

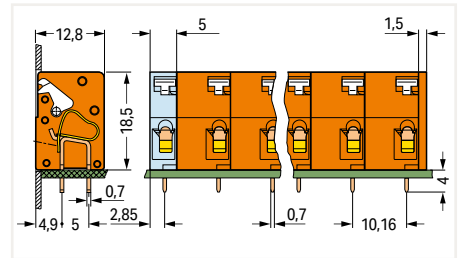
Pole No.	Item No.	PU (SPU)
2	741-602	280 (70)
3	741-603	160 (40)
4	741-604	120 (30)
5	741-605	100 (25)
6	741-606	80 (20)
7	741-607	60 (15)
8	741-608	60 (15)



Total length = (pole no. - 1) x pin spacing + 5 mm + 1.5 mm



Total length = (pole no. - 1) x pin spacing + 5 mm + 1.5 mm



Total length = (pole no. - 1) x pin spacing + 5 mm + 1.5 mm

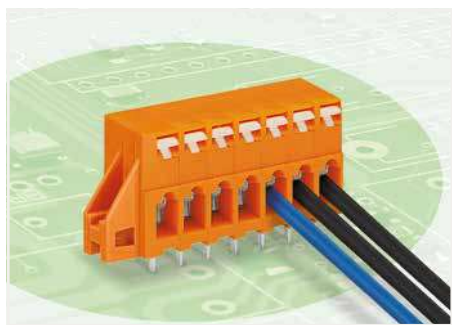
PU = Packaging Unit; SPU = Subpackaging Unit; Dimensions in mm

Other versions (or variants) can be requested from WAGO Sales or configured at <https://configurator.wago.com/>.

- Other pole numbers
- Other colors
- Direct marking

PCB terminal block ▶ 741 Series

CAGE CLAMP® ▶ Actuation type: Push-button ▶ Mounting type: Mounting flange ▶ 2.5 mm² ▶ Terminal strip



- Feedthrough PCB terminal strips with push-button actuated CAGE CLAMP®
- Simple, push-button wiring
- Test slot integrated into upper-portion of conductor entry for test pins
- Mounting flanges for additional mechanical stability

Electrical Data									
Pin spacing	5.08 mm / 0.2 inch			7.62 mm / 0.3 inch			10.16 mm / 0.4 inch		
Ratings per	IEC/EN 60664-1			IEC/EN 60664-1			IEC/EN 60664-1		
Overvoltage category	III	III	II	III	III	II	III	III	II
Pollution degree	3	2	2	3	2	2	3	2	2
Rated voltage	250 V	320 V	630 V	400 V	630 V	1000 V	630 V	1000 V	1000 V
Rated impulse voltage	4 kV	4 kV	4 kV	6 kV	6 kV	6 kV	8 kV	8 kV	8 kV
Rated current	16 A	16 A	16 A	16 A	16 A	16 A	16 A	16 A	16 A
Approbations per									
Use group	UL 1059			UL 1059			UL 1059		
Rated voltage	B	C	D	B	C	D	B	C	D
Rated current	300 V	-	300 V	300 V	-	300 V	300 V	-	300 V
Rated current	10 A	-	10 A	10 A	-	10 A	10 A	-	10 A
Approbations per									
Use group	CSA			CSA			CSA		
Rated voltage	B	C	D	B	C	D	B	C	D
Rated current	300 V	-	300 V	300 V	-	300 V	300 V	-	300 V
Rated current	16 A	-	10 A	16 A	-	10 A	16 A	-	10 A
Connection Data									
Connection technology	CAGE CLAMP®								
Strip length	5 ... 6 mm / 0.2 ... 0.24 inch								
Conductor connection direction to PCB	0°								
Solid conductor	0.08 ... 2.5 mm ² / 28 ... 12 AWG								
Fine-stranded conductor	0.08 ... 2.5 mm ² / 28 ... 12 AWG								
Fine-stranded conductor; with insulated ferrule	0.25 ... 1.5 mm ²								
Fine-stranded conductor; with uninsulated ferrule	0.25 ... 1.5 mm ²								
Material Data									
Material group	I								
Insulation material	Polyamide (PA66)								
Flammability class per UL94	V0								
Clamping spring material	Chrome nickel spring steel (CrNi)								
Contact material	Electrolytic copper (E _{cu})								
Contact plating	Tin-plated								
Mechanical Data									
Solder pin arrangement	Over the entire terminal strip (in-line)								
Solder pin length	4 mm								
Solder pin dimensions	0.7 x 0.7 mm								
Drilled hole diameter with tolerance	1.1 ^(+0.1) mm								
Environmental Requirements									
Limit temperature range	-60 ... +105 °C								

Ferrule [Page 879](#)

Marking [Page 865](#)

Tool [Page 870](#)

See technical section for further information

For approvals and corresponding ratings, visit www.wago.com

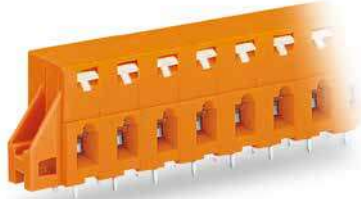
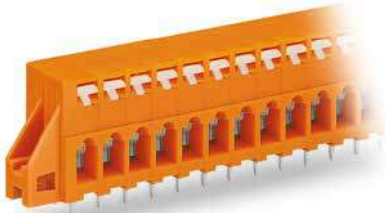
PCB terminal block ▶ 741 Series

CAGE CLAMP® ▶ Actuation type: Push-button ▶ Mounting type: Mounting flange ▶ 2.5 mm² ▶ Terminal strip

Pin spacing: 5.08 mm / 0.2 inch

Pin spacing: 7.62 mm / 0.3 inch

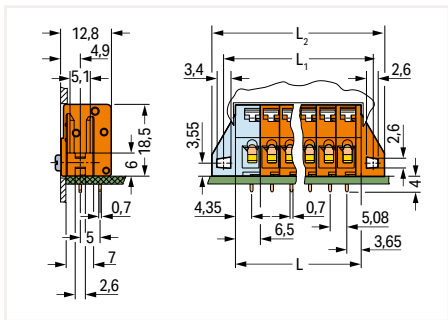
Pin spacing: 10.16 mm / 0.4 inch



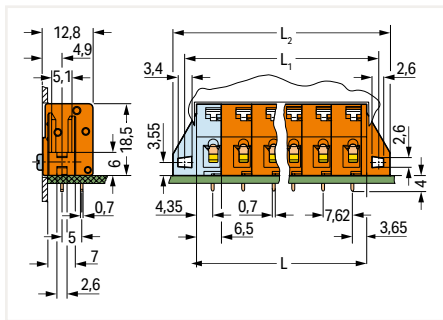
Pole No.	Item No.	PU (SPU)
2	741-232	180 (45)
3	741-233	160 (40)
4	741-234	120 (30)
5	741-235	120 (30)
6	741-236	100 (25)
7	741-237	80 (20)
8	741-238	80 (20)
9	741-239	80 (20)
10	741-240	60 (15)
12	741-242	60 (15)
16	741-246	40 (10)

Pole No.	Item No.	PU (SPU)
2	741-422	160 (40)
3	741-423	140 (35)
4	741-424	100 (25)
5	741-425	80 (20)
6	741-426	80 (20)
7	741-427	60 (15)
8	741-428	60 (15)
9	741-429	40 (10)
10	741-430	40 (10)

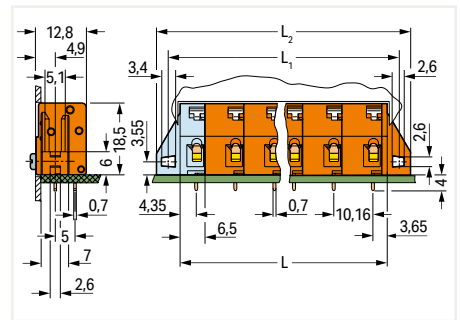
Pole No.	Item No.	PU (SPU)
2	741-622	160 (40)
3	741-623	120 (30)
4	741-624	80 (20)
5	741-625	80 (20)
6	741-626	60 (15)
7	741-627	40 (10)
8	741-628	40 (10)



$L = (\text{pole no.} - 1) \times \text{pin spacing} + 6.5 \text{ mm} + 1.5 \text{ mm}$
 $L_1 = L + 5.8 \text{ mm}$
 $L_2 = L_1 + 6.4 \text{ mm}$



$L = (\text{pole no.} - 1) \times \text{pin spacing} + 6.5 \text{ mm} + 1.5 \text{ mm}$
 $L_1 = L + 5.8 \text{ mm}$
 $L_2 = L_1 + 6.4 \text{ mm}$



$L = (\text{pole no.} - 1) \times \text{pin spacing} + 6.5 \text{ mm} + 1.5 \text{ mm}$
 $L_1 = L + 5.8 \text{ mm}$
 $L_2 = L_1 + 6.4 \text{ mm}$

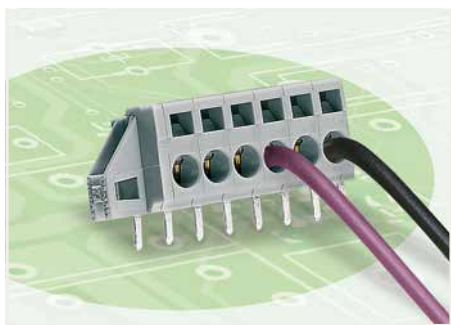
PU = Packaging Unit; SPU = Subpackaging Unit; Dimensions in mm

Other versions (or variants) can be requested from WAGO Sales or configured at <https://configurator.wago.com/>.

- Other pole numbers
- Other colors
- Direct marking

PCB terminal block ▶ 231 Series

CAGE CLAMP® ▶ Actuation type: Operating tool ▶ Mounting type: Mounting flange ▶ 2.5 mm² ▶ Pin spacing: 5 mm / 0.197 inch ▶ Terminal strip



- Feedthrough PCB terminal strips with screwdriver-actuated CAGE CLAMP®
- With flanges for PCB or front-panel mounting – either flush with enclosure or protruding

Electrical Data			
Pin spacing	5 mm / 0.197 inch		
Ratings per	IEC/EN 60664-1		
Overvoltage category	III	III	II
Pollution degree	3	2	2
Rated voltage	320 V	320 V	630 V
Rated impulse voltage	4 kV	4 kV	4 kV
Rated current	16 A	16 A	16 A
Approbations per	UL 1059		
Use group	B	C	D
Rated voltage	300 V	150 V	300 V
Rated current	15 A	15 A	10 A
Approbations per	CSA		
Use group	B	C	D
Rated voltage	300 V	150 V	300 V
Rated current	15 A	15 A	10 A
Connection Data			
Connection technology	CAGE CLAMP®		
Strip length	8 ... 9 mm / 0.31 ... 0.35 inch		
Conductor connection direction to PCB	0°		
Solid conductor	0.08 ... 2.5 mm ² / 28 ... 14 AWG		
Fine-stranded conductor	0.08 ... 2.5 mm ² / 28 ... 14 AWG		
Fine-stranded conductor; with insulated ferrule	0.25 ... 1.5 mm ²		
Fine-stranded conductor; with uninsulated ferrule	0.25 ... 2.5 mm ²		
Material Data			
Material group	I		
Insulation material	Polyamide (PA66)		
Flammability class per UL94	V0		
Clamping spring material	Chrome nickel spring steel (CrNi)		
Contact material	Electrolytic copper (E _{Cu})		
Contact plating	Tin-plated		
Mechanical Data			
Solder pin arrangement	Over the entire terminal strip (in-line)		
Solder pin length	4.7 mm		
Solder pin dimensions	0.8 x 1.3 mm		
Drilled hole diameter with tolerance	1.8 ^(±0.1) mm		
Environmental Requirements			
Limit temperature range	-60 ... +105 °C		

Ferrule [Page 879](#)

Marking [Page 865](#)

Mounting [Page 869](#)

Tool [Page 870](#)

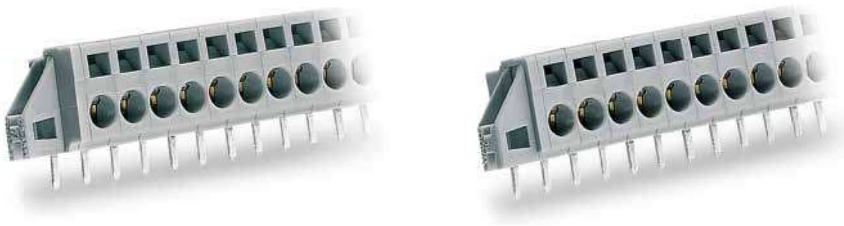
See technical section for further information

For approvals and corresponding ratings, visit www.wago.com

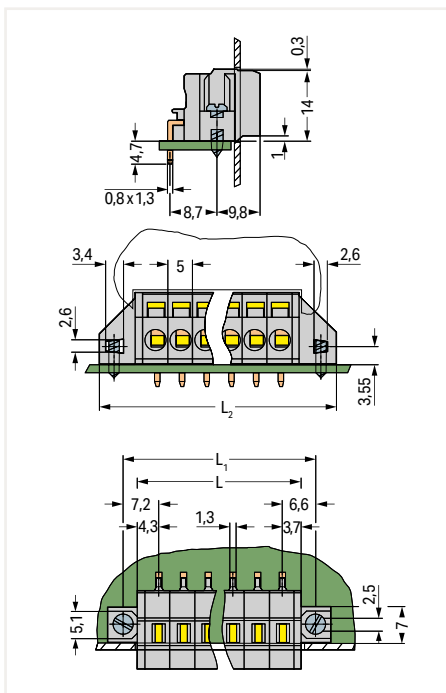
PCB terminal block ▶ 231 Series

CAGE CLAMP® ▶ Actuation type: Operating tool ▶ Mounting type: Mounting flange ▶ 2.5 mm² ▶ Pin spacing: 5 mm / 0.197 inch ▶ Terminal strip

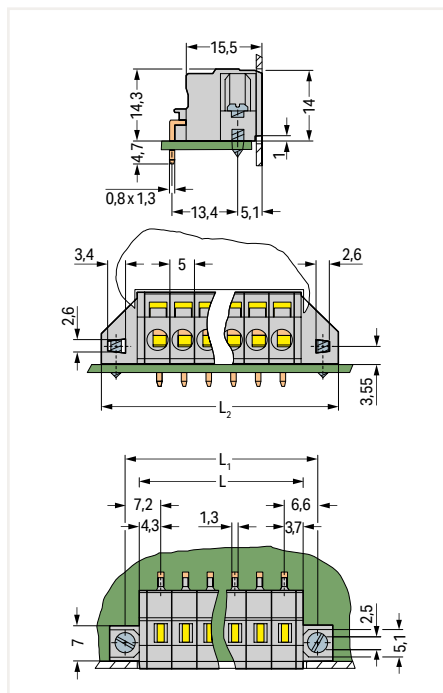
Housing sheet thickness (max.): 1.5 mm



Pole No.	Item No.	PU	Pole No.	Item No.	PU
2	231-602/017-000	100	2	231-602/023-000	100
3	231-603/017-000	50	3	231-603/023-000	50
4	231-604/017-000	50	4	231-604/023-000	50
5	231-605/017-000	50	5	231-605/023-000	50
6	231-606/017-000	50	6	231-606/023-000	50
7	231-607/017-000	50	7	231-607/023-000	50
8	231-608/017-000	50	8	231-608/023-000	50
9	231-609/017-000	25	9	231-609/023-000	25
10	231-610/017-000	25	10	231-610/023-000	25
11	231-611/017-000	25	11	231-611/023-000	25
12	231-612/017-000	25	12	231-612/023-000	25



L = (pole no. x pin spacing) + 3 mm
 L₁ = L + 5.8 mm
 L₂ = L₁ + 6.4 mm



L = (pole no. x pin spacing) + 3 mm
 L₁ = L + 5.8 mm
 L₂ = L₁ + 6.4 mm
 for plate thickness up to 1.5 mm

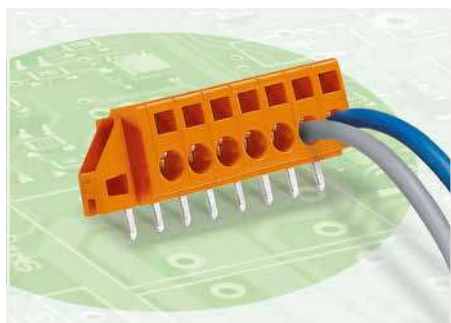
PU = Packaging Unit; SPU = Subpackaging Unit; Dimensions in mm

Other versions (or variants) can be requested from WAGO Sales or configured at <https://configurator.wago.com/>.

- Other pole numbers
- Other colors
- Direct marking
- Versions without mounting flanges

PCB terminal block ▶ 231 Series

CAGE CLAMP® ▶ Actuation type: Operating tool ▶ Mounting type: Mounting flange ▶ 2.5 mm² ▶ Pin spacing: 5.08 mm / 0.2 inch ▶ Terminal strip



- Feedthrough PCB terminal strips with screwdriver-actuated CAGE CLAMP®
- With flanges for PCB or front-panel mounting – either flush with enclosure or protruding

Electrical Data			
Pin spacing	5.08 mm / 0.2 inch		
Ratings per	IEC/EN 60664-1		
Overvoltage category	III	III	II
Pollution degree	3	2	2
Rated voltage	320 V	320 V	630 V
Rated impulse voltage	4 kV	4 kV	4 kV
Rated current	16 A	16 A	16 A
Approbations per	UL 1059		
Use group	B	C	D
Rated voltage	300 V	150 V	300 V
Rated current	15 A	15 A	10 A
Approbations per	CSA		
Use group	B	C	D
Rated voltage	300 V	150 V	300 V
Rated current	15 A	15 A	10 A
Connection Data			
Connection technology	CAGE CLAMP®		
Strip length	8 ... 9 mm / 0.31 ... 0.35 inch		
Conductor connection direction to PCB	0°		
Solid conductor	0.08 ... 2.5 mm ² / 28 ... 14 AWG		
Fine-stranded conductor	0.08 ... 2.5 mm ² / 28 ... 14 AWG		
Fine-stranded conductor; with insulated ferrule	0.25 ... 1.5 mm ²		
Fine-stranded conductor; with uninsulated ferrule	0.25 ... 2.5 mm ²		
Material Data			
Material group	I		
Insulation material	Polyamide (PA66)		
Flammability class per UL94	V0		
Clamping spring material	Chrome nickel spring steel (CrNi)		
Contact material	Electrolytic copper (E _{Cu})		
Contact plating	Tin-plated		
Mechanical Data			
Solder pin arrangement	Over the entire terminal strip (in-line)		
Solder pin length	4.7 mm		
Solder pin dimensions	0.8 x 1.3 mm		
Drilled hole diameter with tolerance	1.8 ^(±0.1) mm		
Environmental Requirements			
Limit temperature range	-60 ... +105 °C		

Ferrule [Page 879](#)

Marking [Page 865](#)

Mounting [Page 869](#)

Tool [Page 870](#)

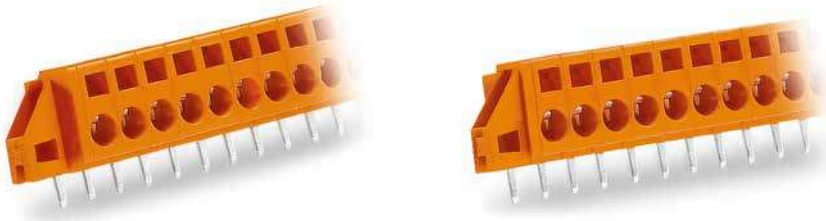
See technical section for further information

For approvals and corresponding ratings, visit www.wago.com

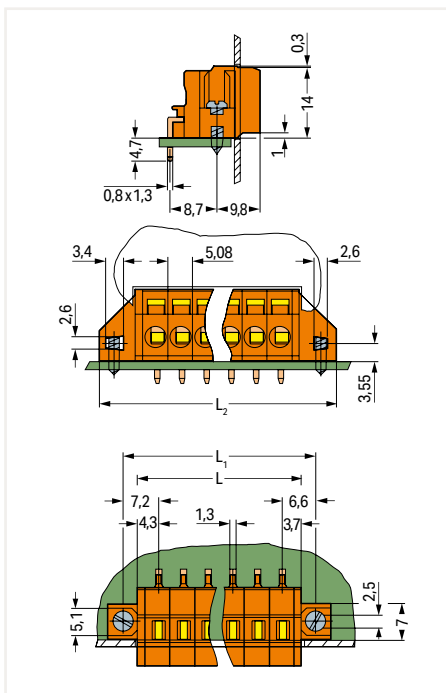
PCB terminal block ▶ 231 Series

CAGE CLAMP® ▶ Actuation type: Operating tool ▶ Mounting type: Mounting flange ▶ 2.5 mm² ▶ Pin spacing: 5.08 mm / 0.2 inch ▶ Terminal strip

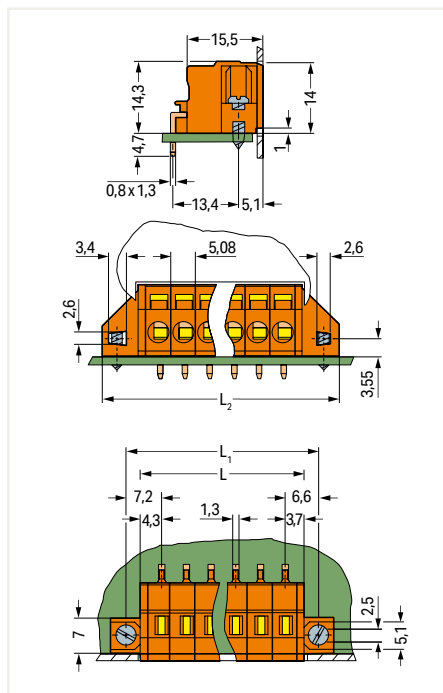
Housing sheet thickness (max.): 1.5 mm



Pole No.	Item No.	PU	Pole No.	Item No.	PU
2	231-632/017-000	100	2	231-632/023-000	100
3	231-633/017-000	50	3	231-633/023-000	50
4	231-634/017-000	50	4	231-634/023-000	50
5	231-635/017-000	50	5	231-635/023-000	50
6	231-636/017-000	50	6	231-636/023-000	50
7	231-637/017-000	50	7	231-637/023-000	50
8	231-638/017-000	50	8	231-638/023-000	50
9	231-639/017-000	25	9	231-639/023-000	25
10	231-640/017-000	25	10	231-640/023-000	25
11	231-641/017-000	25	11	231-641/023-000	25
12	231-642/017-000	25	12	231-642/023-000	25



$L = (\text{pole no.} \times \text{pin spacing}) + 3 \text{ mm}$
 $L_1 = L + 5.8 \text{ mm}$
 $L_2 = L_1 + 6.4 \text{ mm}$



$L = (\text{pole no.} \times \text{pin spacing}) + 3 \text{ mm}$
 $L_1 = L + 5.8 \text{ mm}$
 $L_2 = L_1 + 6.4 \text{ mm}$
 for plate thickness up to 1.5 mm

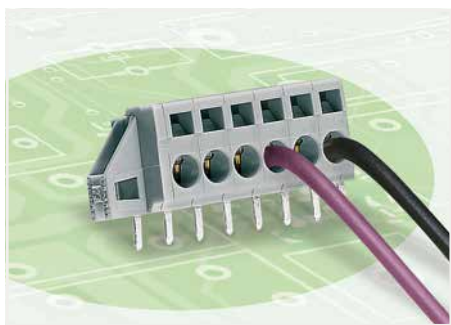
PU = Packaging Unit; SPU = Subpackaging Unit; Dimensions in mm

Other versions (or variants) can be requested from WAGO Sales or configured at <https://configurator.wago.com/>.

- Other pole numbers
- Other colors
- Direct marking
- Versions without mounting flanges

Feedthrough terminal block ▶ 731 Series

CAGE CLAMP® ▶ Wire-wrap pin ▶ Actuation type: Operating tool ▶ Mounting type: Mounting flange ▶ 2.5 mm² ▶ Pin spacing: 5 mm / 0.197 inch ▶ Terminal strip ▶ Housing sheet thickness (max.): 1.5 mm



- Feedthrough PCB terminal strips with screwdriver-actuated CAGE CLAMP®
- With flanges for PCB or front-panel mounting – either flush with enclosure or protruding

Electrical Data			
Pin spacing	5 mm / 0.197 inch		
Ratings per	IEC/EN 60664-1		
Overvoltage category	III	III	II
Pollution degree	3	2	2
Rated voltage	320 V	320 V	630 V
Rated impulse voltage	4 kV	4 kV	4 kV
Rated current	5 A	5 A	5 A
Approbations per	UL 1059		
Use group	B	C	D
Rated voltage	300 V	150 V	300 V
Rated current	5 A	5 A	5 A
Approbations per	CSA		
Use group	B	C	D
Rated voltage	300 V	-	-
Rated current	5 A	-	-

Connection Data	
Connection technology	CAGE CLAMP®
Strip length	8 ... 9 mm / 0.31 ... 0.35 inch
Solid conductor	0.08 ... 2.5 mm ² / 28 ... 14 AWG
Fine-stranded conductor	0.08 ... 2.5 mm ² / 28 ... 14 AWG
Fine-stranded conductor; with insulated ferrule	0.25 ... 1.5 mm ²
Fine-stranded conductor; with uninsulated ferrule	0.25 ... 2.5 mm ²
Connection technology 2	Wire-wrap pin

Material Data	
Material group	I
Insulation material	Polyamide (PA66)
Flammability class per UL94	V0
Clamping spring material	Chrome nickel spring steel (CrNi)
Contact material	Electrolytic copper (E _{cu})
Contact plating	Tin-plated

Environmental Requirements	
Limit temperature range	-60 ... +105 °C

Ferrule Page 879

Marking Page 865

Mounting Page 869

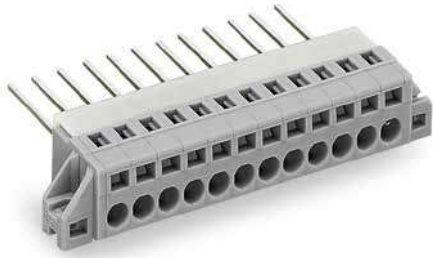
Tool Page 870

See technical section for further information

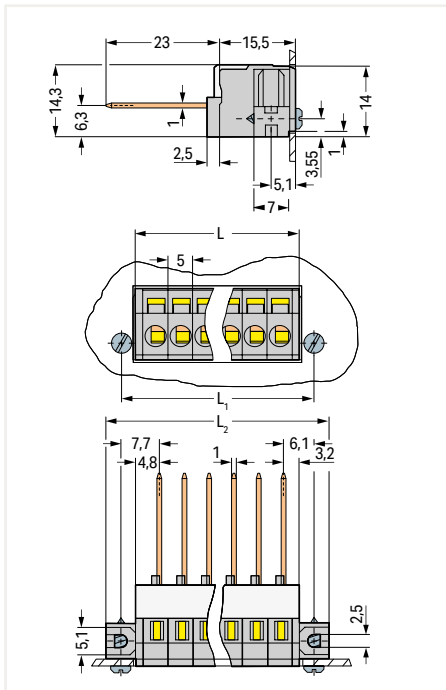
For approvals and corresponding ratings, visit www.wago.com

Feedthrough terminal block ▶ 731 Series

CAGE CLAMP® ▶ Wire-wrap pin ▶ Actuation type: Operating tool ▶ Mounting type: Mounting flange ▶ 2.5 mm² ▶ Pin spacing: 5 mm / 0.197 inch ▶ Terminal strip ▶ Housing sheet thickness (max.): 1.5 mm



Pole No.	Item No.	PU
2	731-132	50
3	731-133	50
4	731-134	25
5	731-135	25
6	731-136/048-000	25
7	731-137/048-000	25
8	731-138/048-000	25
9	731-139/048-000	25
10	731-140/048-000	10
11	731-141/048-000	10
12	731-142/048-000	10



$L = (\text{pole no.} \times \text{pin spacing}) + 3 \text{ mm}$

$L_1 = L + 5.8 \text{ mm}$

$L_2 = L_1 + 6.4 \text{ mm}$

for plate thickness up to 1.5 mm

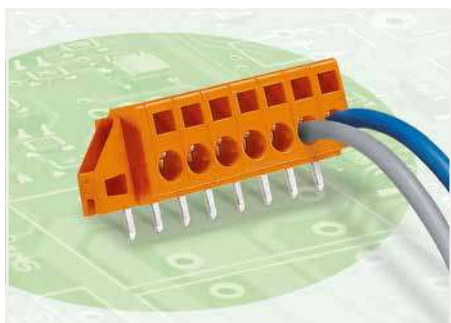
PU = Packaging Unit; SPU = Subpackaging Unit; Dimensions in mm

Other versions (or variants) can be requested from WAGO Sales or configured at <https://configurator.wago.com/>.

- Other pole numbers
- Other colors
- Direct marking
- Versions without mounting flanges

Feedthrough terminal block ▶ 731 Series

CAGE CLAMP® ▶ Wire-wrap pin ▶ Actuation type: Operating tool ▶ Mounting type: Mounting flange ▶ 2.5 mm² ▶ Pin spacing: 5.08 mm / 0.2 inch ▶ Terminal strip ▶ Housing sheet thickness (max.): 1.5 mm



- Feedthrough PCB terminal strips with screwdriver-actuated CAGE CLAMP®
- With flanges for PCB or front-panel mounting – either flush with enclosure or protruding

Electrical Data			
Pin spacing	5.08 mm / 0.2 inch		
Ratings per	IEC/EN 60664-1		
Overvoltage category	III	III	II
Pollution degree	3	2	2
Rated voltage	320 V	320 V	630 V
Rated impulse voltage	4 kV	4 kV	4 kV
Rated current	5 A	5 A	5 A
Approbations per	UL 1059		
Use group	B	C	D
Rated voltage	300 V	150 V	300 V
Rated current	5 A	5 A	5 A
Approbations per	CSA		
Use group	B	C	D
Rated voltage	300 V	-	-
Rated current	5 A	-	-
Connection Data			
Connection technology	CAGE CLAMP®		
Strip length	8 ... 9 mm / 0.31 ... 0.35 inch		
Solid conductor	0.08 ... 2.5 mm ² / 28 ... 14 AWG		
Fine-stranded conductor	0.08 ... 2.5 mm ² / 28 ... 14 AWG		
Fine-stranded conductor; with insulated ferrule	0.25 ... 1.5 mm ²		
Fine-stranded conductor; with uninsulated ferrule	0.25 ... 2.5 mm ²		
Connection technology 2	Wire-wrap pin		
Material Data			
Material group	I		
Insulation material	Polyamide (PA66)		
Flammability class per UL94	V0		
Clamping spring material	Chrome nickel spring steel (CrNi)		
Contact material	Electrolytic copper (E _{cu})		
Contact plating	Tin-plated		
Environmental Requirements			
Limit temperature range	-60 ... +105 °C		

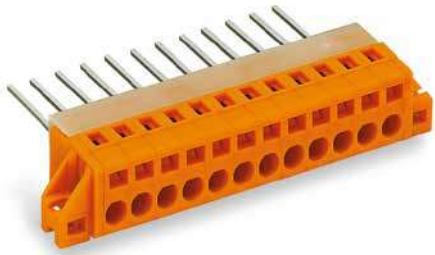
Ferrule	Page 879
Marking	Page 865
Mounting	Page 869
Tool	Page 870

See technical section for further information

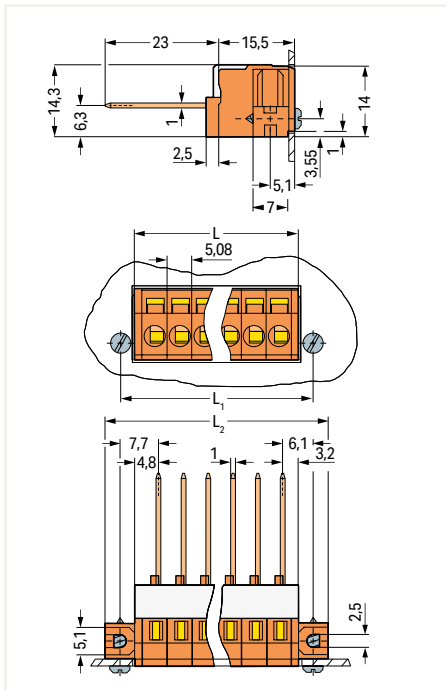
For approvals and corresponding ratings, visit www.wago.com

Feedthrough terminal block ▶ 731 Series

CAGE CLAMP® ▶ Wire-wrap pin ▶ Actuation type: Operating tool ▶ Mounting type: Mounting flange ▶ 2.5 mm² ▶ Pin spacing: 5.08 mm / 0.2 inch ▶ Terminal strip ▶ Housing sheet thickness (max.): 1.5 mm



Pole No.	Item No.	PU
2	731-162	50
3	731-163	50
4	731-164	25
5	731-165	25
6	731-166/048-000	25
7	731-167/048-000	25
8	731-168/048-000	25
9	731-169/048-000	25
10	731-170/048-000	10
11	731-171/048-000	10
12	731-172/048-000	25



$L = (\text{pole no.} \times \text{pin spacing}) + 3 \text{ mm}$

$L_1 = L + 5.8 \text{ mm}$

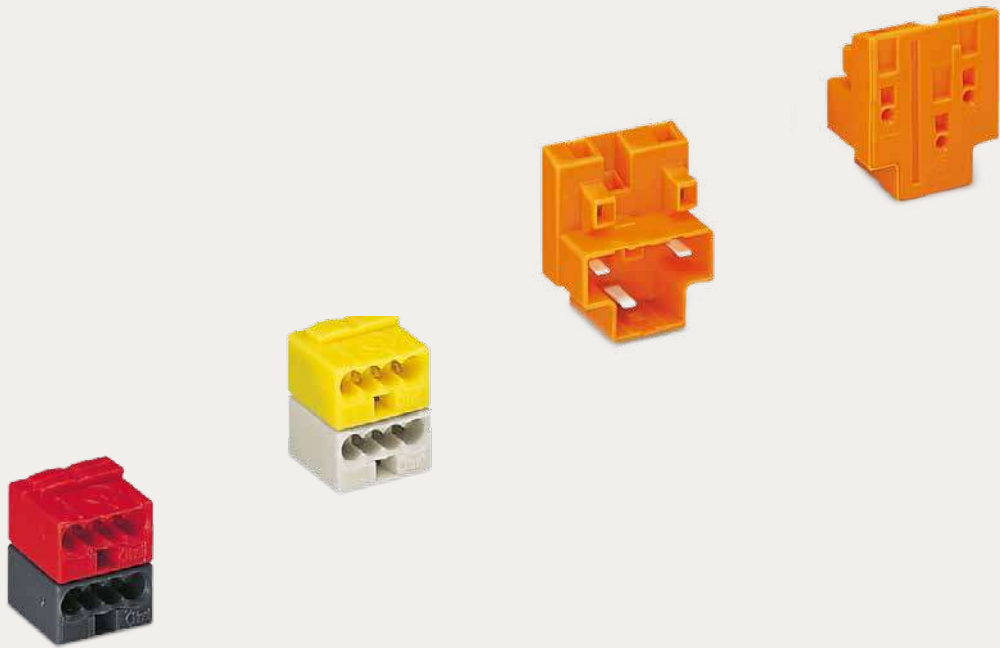
$L_2 = L_1 + 6.4 \text{ mm}$

for plate thickness up to 1.5 mm

PU = Packaging Unit; SPU = Subpackaging Unit; Dimensions in mm




Other versions (or variants) can be requested from WAGO Sales or configured at <https://configurator.wago.com/>.

- Other pole numbers
- Other colors
- Direct marking
- Versions without mounting flanges

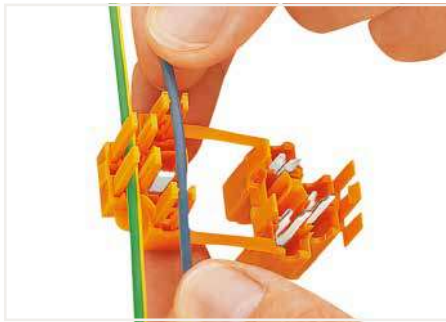


WAGO Specialty Connectors

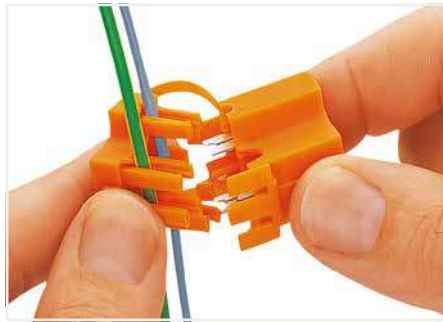
WAGO Specialty Connectors

	Series	Page
	Female Connector ▶ Pole No.: 3 ▶ IDC ▶ 0.75 ... 1.5 mm ² „f-st“	730 838
	Male Connector ▶ Pole No.: 3 ▶ CAGE CLAMP® ▶ Actuation type: Operating tool ▶ 0.08 ... 2.5 mm ² (18 ... 16 AWG)	840
	Female Connector ▶ Pole No.: 6 ▶ IDC ▶ 0.75 ... 1.5 mm ² „f-st“	842
	Male Connector ▶ Pole No.: 6 ▶ CAGE CLAMP® ▶ Actuation type: Operating tool ▶ 0.08 ... 2.5 mm ² (18 ... 16 AWG)	844
	4-Conductor Modular PCB Connector ▶ for KNX/EIB Bus Coupler Units ▶ PUSH WIRE®	243 846
	Accessories and Tools	861
		

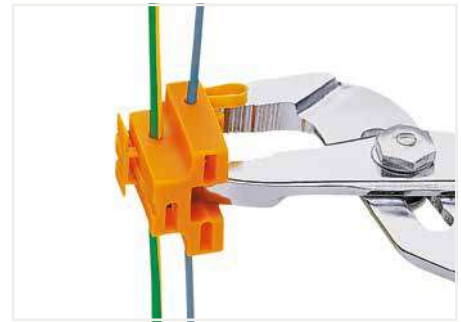
Wire-Tap Branch Connectors, 3-Pole 730 Series Description and Installation



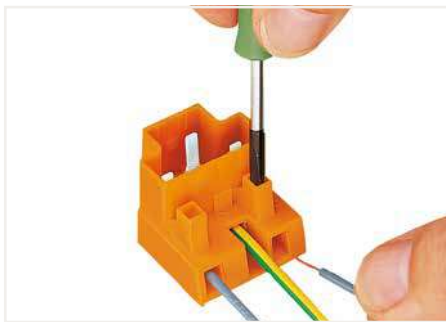
Press conductor into strain relief fingers.



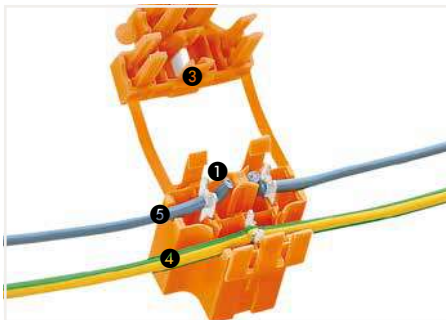
Place upper and lower part of the socket into pre-locking position.



Press into final position using pliers.

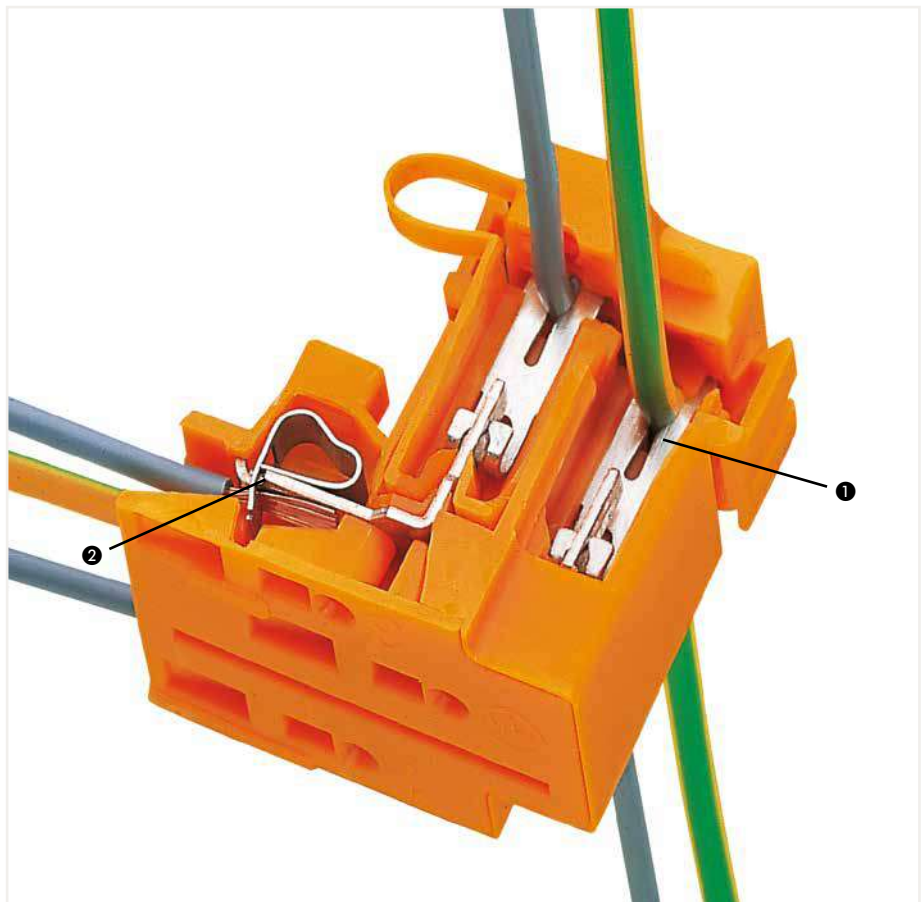


Insert conductors via screwdriver – 3-pole plug equipped with CAGE CLAMP®.



Three-pole socket includes:

- 1 IDC
- 2 CAGE CLAMP®
- 3 Isolation blade
- 4 IDC contacted ground conductor
- 5 Cut and IDC contacted "live" conductor

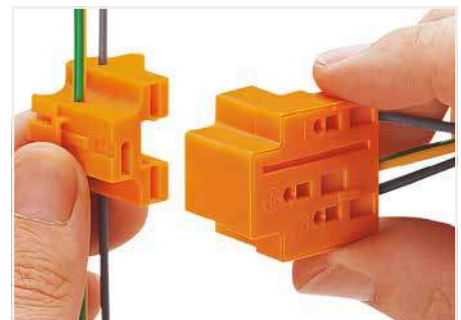


730 Series, 3-pole

13



Snapping socket halves together will automatically cut and terminate a "live" conductor without stripping – enables switching applications (e.g., door switches).

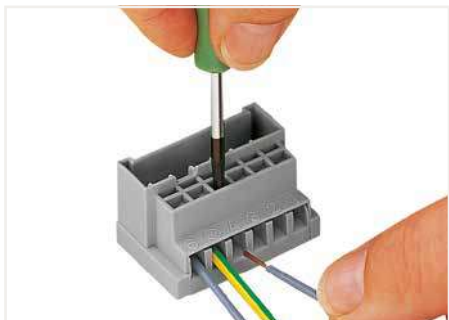


Insert plug into socket.

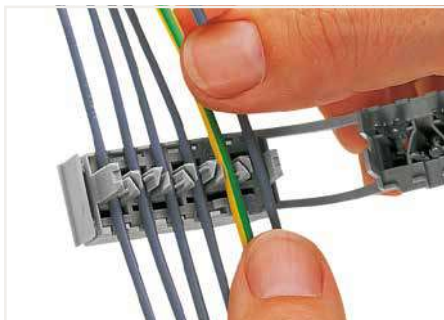
Wire-Tap Branch Connectors, 6-Pole

730 Series

Description and Installation



Insert conductors via screwdriver – 6-pole plug equipped with CAGE CLAMP®.



Press conductors into strain relief fingers.



Place upper and lower part of the socket into pre-locking position.



730 Series



Press into final position using pliers.



Insert plug into socket.



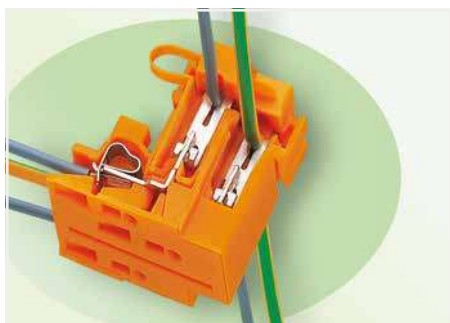
Marking via side marker carrier.



Testing via 2.3 mm Ø test plug.

Socket ▶ 730 Series

Pole No.: 3 ▶ IDC ▶ Color: orange



- Sockets with IDC for tapping individual conductors without stripping
- Three-pole sockets automatically cut "live" conductors (e.g., door switches in elevator shafts)
- Sockets available with additional mounting flanges

Electrical Data

		IEC/EN 60664-1		
Ratings per		III	III	II
Overvoltage category		3	2	2
Pollution degree		3	2	2
Rated voltage		500 V	630 V	1000 V
Rated impulse voltage		6 kV	6 kV	6 kV
Rated current		10 A	10 A	10 A
		UL 1059		
Approbations per		B	C	D
Use group		-	600 V	-
Rated voltage		-	10 A	-
Rated current		-	-	-
		CSA		
Approbations per		B	C	D
Use group		-	600 V	-
Rated voltage		-	10 A	-
Rated current		-	-	-

Connection Data

Connection technology	IDC
Fine-stranded conductor	0.75 ... 1.5 mm ² / 18 ... 16 AWG

Material Data

Material group	I
Insulation material	Polyamide (PA66)
Flammability class per UL94	V0
Clamping spring material	Chrome nickel spring steel (CrNi)
Contact material	Brass
Contact plating	Tin-plated

Environmental Requirements

Limit temperature range	-60 ... +85 °C
-------------------------	----------------

Test and measurement Page 886

Tool Page 870

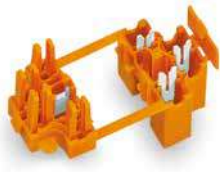
See technical section for further information

For approvals and corresponding ratings, visit www.wago.com

Socket ▶ 730 Series

Pole No.: 3 ▶ IDC ▶ Color: orange

Mounting type: Mounting flange



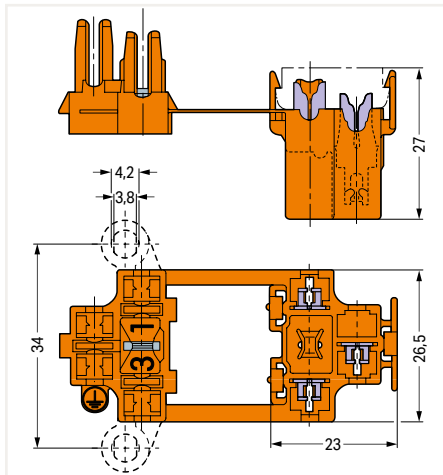
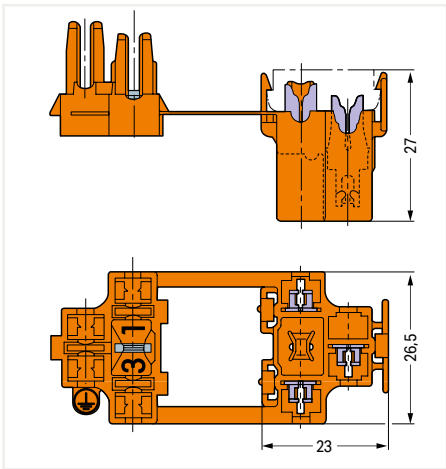
730-103



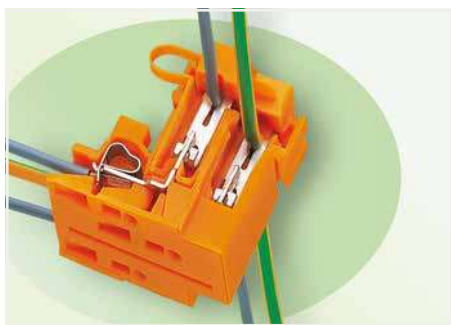
730-123

Color	Pole No.	Item No.	PU
orange	3	730-103	50

Color	Pole No.	Item No.	PU
orange	3	730-123	50



PU = Packaging Unit; SPU = Subpackaging Unit; Dimensions in mm

Male connector ▶ 730 Series**Pole No.: 3 ▶ CAGE CLAMP® ▶ Actuation type: Operating tool ▶ 2.5 mm² ▶ Color: orange**

- Plugs with CAGE CLAMP® for the universal connection of all conductor types

Electrical Data

		IEC/EN 60664-1		
Ratings per		III	III	II
Overvoltage category		3	2	2
Pollution degree		3	2	2
Rated voltage		500 V	630 V	1000 V
Rated impulse voltage		6 kV	6 kV	6 kV
Rated current		10 A	10 A	10 A
Approbations per		UL 1059		
Use group		B	C	D
Rated voltage		-	600 V	-
Rated current		-	10 A	-
Approbations per		CSA		
Use group		B	C	D
Rated voltage		-	600 V	-
Rated current		-	10 A	-

Connection Data

Connection technology	CAGE CLAMP®
Strip length	8 ... 9 mm / 0.31 ... 0.35 inch
Solid conductor	0.08 ... 2.5 mm ² / 28 ... 14 AWG
Fine-stranded conductor	0.08 ... 2.5 mm ² / 28 ... 14 AWG
Fine-stranded conductor; with insulated ferrule	0.25 ... 1.5 mm ²
Fine-stranded conductor; with uninsulated ferrule	0.25 ... 2.5 mm ²

Material Data

Material group	I
Insulation material	Polyamide (PA66)
Flammability class per UL94	V0
Clamping spring material	Chrome nickel spring steel (CrNi)
Contact material	Electrolytic copper (E _{cu})
Contact plating	Tin-plated

Environmental Requirements

Limit temperature range	-60 ... +85 °C
-------------------------	----------------

Test and measurement Page 886

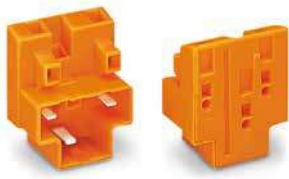
Tool Page 870

See technical section for further information

For approvals and corresponding ratings, visit www.wago.com

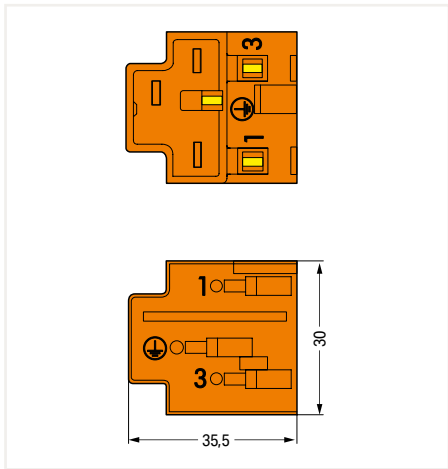
Male connector ▶ 730 Series

Pole No.: 3 ▶ CAGE CLAMP® ▶ Actuation type: Operating tool ▶ 2.5 mm² ▶ Color: orange



730-113

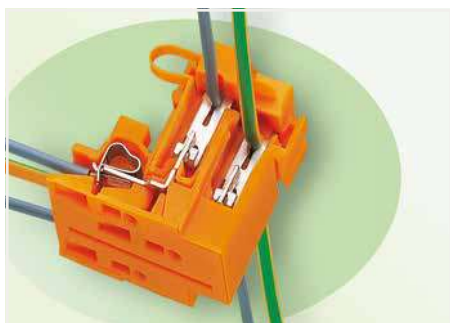
Color	Pole No.	Item No.	PU
orange	3	730-113	50



PU = Packaging Unit; SPU = Subpackaging Unit; Dimensions in mm

Socket ▶ 730 Series

Pole No.: 6 ▶ IDC ▶ Color: gray



- Sockets with IDC for tapping individual conductors without stripping
- Three-pole sockets automatically cut "live" conductors (e.g., door switches in elevator shafts)
- Sockets available with additional mounting flanges

Electrical Data

		IEC/EN 60664-1		
Ratings per		III	III	II
Overvoltage category		3	2	2
Pollution degree		500 V	630 V	1000 V
Rated voltage		6 kV	6 kV	6 kV
Rated impulse voltage		10 A	10 A	10 A
Rated current		UL 1059		
Approbations per		B	C	D
Use group		-	600 V	-
Rated voltage		-	10 A	-
Rated current		CSA		
Approbations per		B	C	D
Use group		-	600 V	-
Rated voltage		-	10 A	-
Rated current				

Connection Data

Connection technology	IDC
Fine-stranded conductor	0.75 ... 1.5 mm ² / 18 ... 16 AWG

Material Data

Material group	I
Insulation material	Polyamide (PA66)
Flammability class per UL94	V0
Clamping spring material	Chrome nickel spring steel (CrNi)
Contact material	Brass
Contact plating	Tin-plated

Environmental Requirements

Limit temperature range	-60 ... +85 °C
-------------------------	----------------

Test and measurement Page 886

Tool Page 870

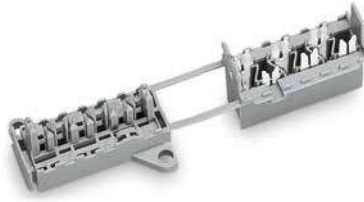
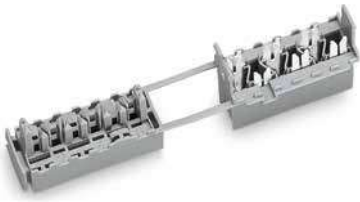
See technical section for further information

For approvals and corresponding ratings, visit www.wago.com

Socket ▶ 730 Series

Pole No.: 6 ▶ IDC ▶ Color: gray

Mounting type: Mounting flange

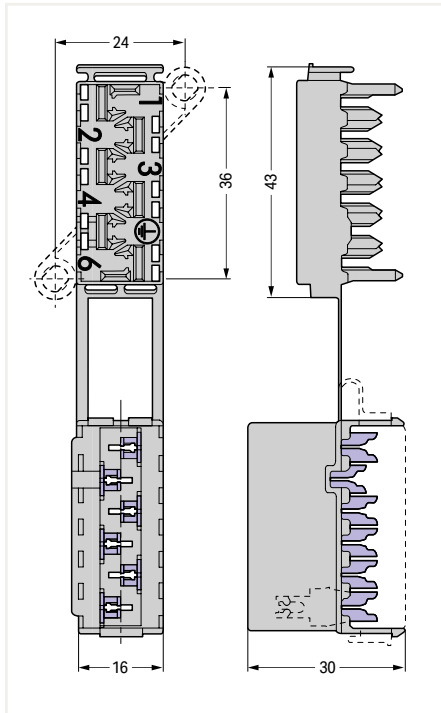
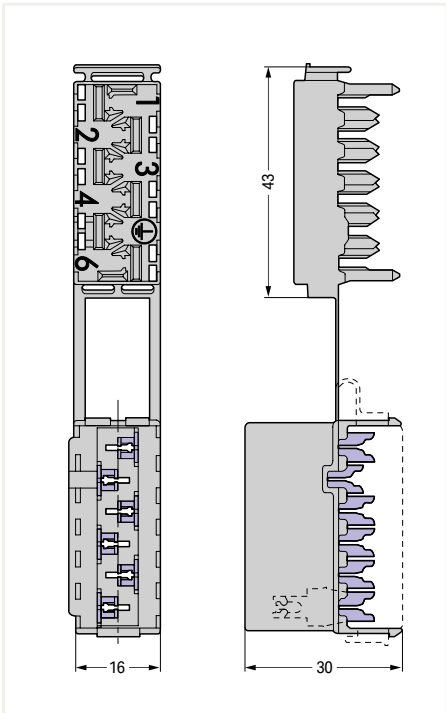


730-106

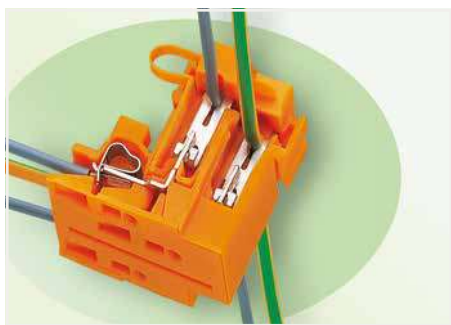
730-126

Color	Pole No.	Item No.	PU
● gray	6	730-106	50

Color	Pole No.	Item No.	PU
● gray	6	730-126	50



PU = Packaging Unit; SPU = Subpackaging Unit; Dimensions in mm

Male connector ▶ 730 Series**Pole No.: 6 ▶ CAGE CLAMP® ▶ Actuation type: Operating tool ▶ 2.5 mm² ▶ Color: gray**

- Plugs with CAGE CLAMP® for the universal connection of all conductor types

Electrical Data

Ratings per	IEC/EN 60664-1		
Overvoltage category	III	III	II
Pollution degree	3	2	2
Rated voltage	500 V	630 V	1000 V
Rated impulse voltage	6 kV	6 kV	6 kV
Rated current	10 A	10 A	10 A
Approbations per	UL 1059		
Use group	B	C	D
Rated voltage	-	600 V	-
Rated current	-	10 A	-
Approbations per	CSA		
Use group	B	C	D
Rated voltage	-	600 V	-
Rated current	-	10 A	-

Connection Data

Connection technology	CAGE CLAMP®
Strip length	8 ... 9 mm / 0.31 ... 0.35 inch
Solid conductor	0.08 ... 2.5 mm ² / 28 ... 14 AWG
Fine-stranded conductor	0.08 ... 2.5 mm ² / 28 ... 14 AWG
Fine-stranded conductor; with insulated ferrule	0.25 ... 1.5 mm ²
Fine-stranded conductor; with uninsulated ferrule	0.25 ... 2.5 mm ²

Material Data

Material group	I
Insulation material	Polyamide (PA66)
Flammability class per UL94	V0
Clamping spring material	Chrome nickel spring steel (CrNi)
Contact material	Electrolytic copper (E _{cu})
Contact plating	Tin-plated

Environmental Requirements

Limit temperature range	-60 ... +85 °C
-------------------------	----------------

Test and measurement Page 886

Tool Page 870

See technical section for further information

For approvals and corresponding ratings, visit www.wago.com

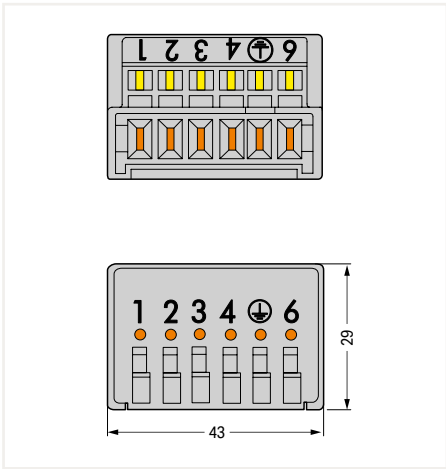
Male connector ▶ 730 Series

Pole No.: 6 ▶ CAGE CLAMP® ▶ Actuation type: Operating tool ▶ 2.5 mm² ▶ Color: gray



730-116

Color	Pole No.	Item No.	PU
● gray	6	730-116	50



4-conductor modular PCB connector ▶ 243 Series for KNX/EIB bus coupler units ▶ PUSH WIRE®



- Compact, 4-conductor KNX/EIB connectors with PUSH WIRE® connection
- Push-in termination of solid conductors
- Four-conductor entries allow devices to be replaced without disrupting the KNX/EIB bus connection

Electrical Data

Ratings per	IEC/EN 60664-1		
Overvoltage category	III	III	II
Pollution degree	3	2	2
Rated voltage	250 V	100 V	630 V
Rated impulse voltage	4 kV	4 kV	4 kV
Rated current	6 A	6 A	6 A

Connection Data

Connection technology	PUSH WIRE®
Strip length	5 ... 6 mm / 0.2 ... 0.24 inch
Conductor diameter	0.6 ... 0.8 mm
Conductor diameter (note)	When using different conductor diameters
Conductor diameter 2	1 mm
Conductor diameter (note) 2	When using identical conductor diameters

Material Data

Material group	I
Insulation material	Polyamide (PA66)
Flammability class per UL94	V0
Clamping spring material	Chrome nickel spring steel (CrNi)
Contact material	Electrolytic copper (E _{cu})
Contact plating	Tin-plated

Environmental Requirements

Limit temperature range	-60 ... +105 °C
-------------------------	-----------------

Marking Page 865

See technical section for further information

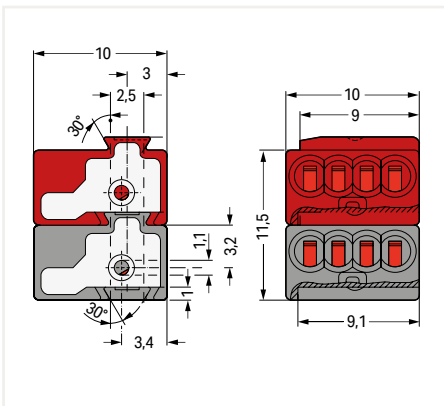
For approvals and corresponding ratings, visit www.wago.com

4-conductor modular PCB connector ▶ 243 Series for KNX/EIB bus coupler units ▶ PUSH WIRE®



Color	Item No.	PU (SPU)
○ light gray/yellow	243-212	500 (50)
○ dark gray/red	243-211	500 (50)

The KNX bus system is the intelligent solution to simplify existing building installation control. Instead of many different conventional wiring styles, the KNX bus system offers a flexible general solution for every application in the field of switching, controlling, measuring, monitoring and signaling.



The decentralized KNX system consists of active and intelligent modules. The system can be customized using the different KNX components.

For example, pairs of sensors/actuators control:

- lighting
- window blinds
- heating/ventilation
- energy management systems
- information display/transmission

Command data is transmitted via twisted-pair bus cable, which is connected to the sensors and actuators by WAGO PUSH WIRE® connectors.

The sensors transmit the commands as "telegrams" to the actuators via the bus. Once the information is gathered, the commands are performed by the actuators. An address is assigned to each "telegram" so that only a defined transmitter is allowed to activate a specified receiver. The address assignment is done using a programming tool.





The bus system is divided into "lines" (segments). The bus lines can be laid out either in a line, star or tree topology. WAGO's PUSH WIRE® connectors connect the different branches to one another in the junction boxes.

New components can be easily added to the existing bus, permitting future expansion of the installation. When future reallocation of rooms, floors or buildings is required, the installation remains unchanged, so that only the sensors must be reassigned to the actuators.

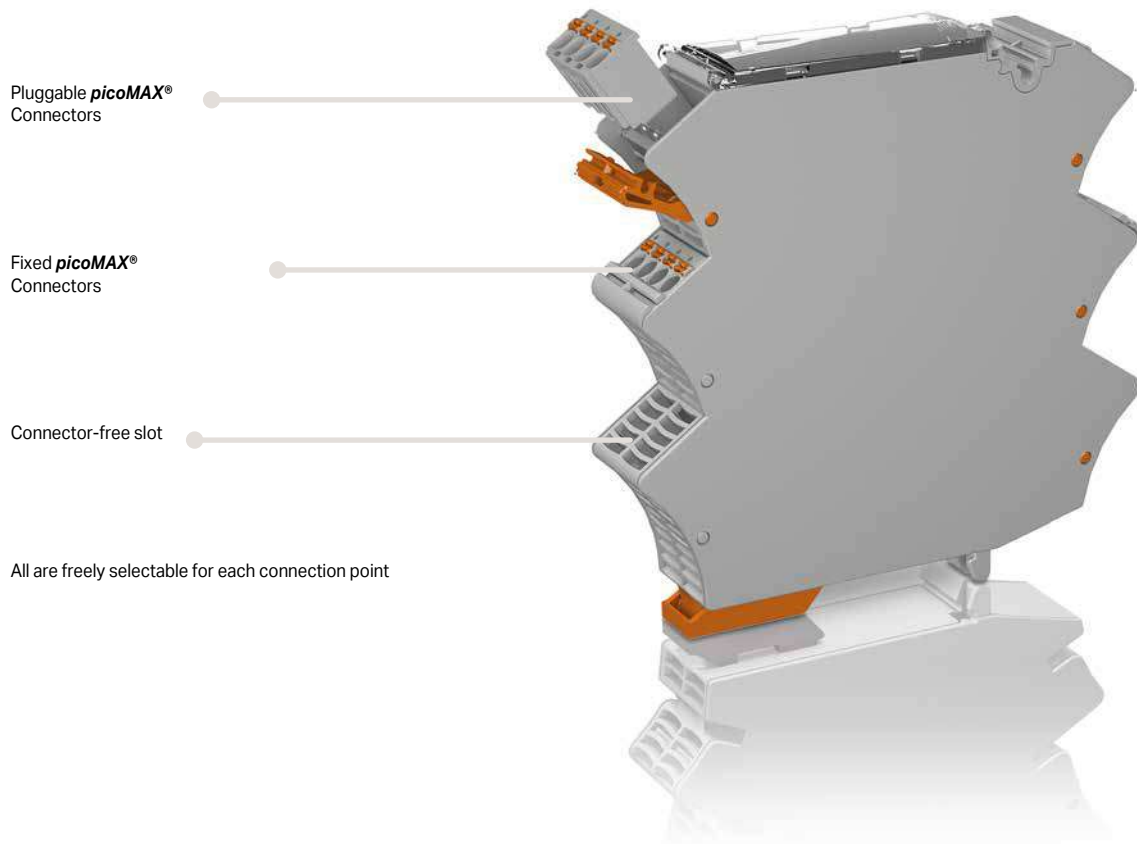


WAGO Empty Housings

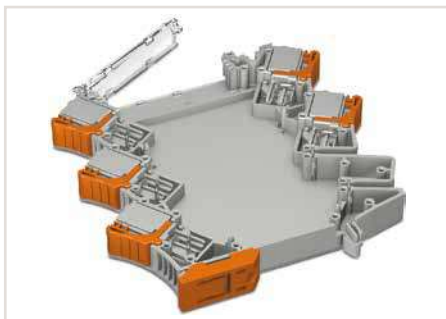
WAGO Empty Housings

		Series	Page
	Modular Empty Housings ▶ Housing Width: 12.5 mm and 22.5 mm ▶ for DIN-Rail	2857	852
	Stripboards ▶ for Modular Empty Housings	2857	854
	Mount PCB Carriers ▶ for DIN-Rail	288	856
	Mounting Feet ▶ for DIN-Rail	209	858
	Accessories and Tools		861

Modular Empty Housings Overview and Configuration 2857 Series



Supplied as a pre-assembled unit:



1. Pre-assembled unit










2. Insert and solder the PCB.



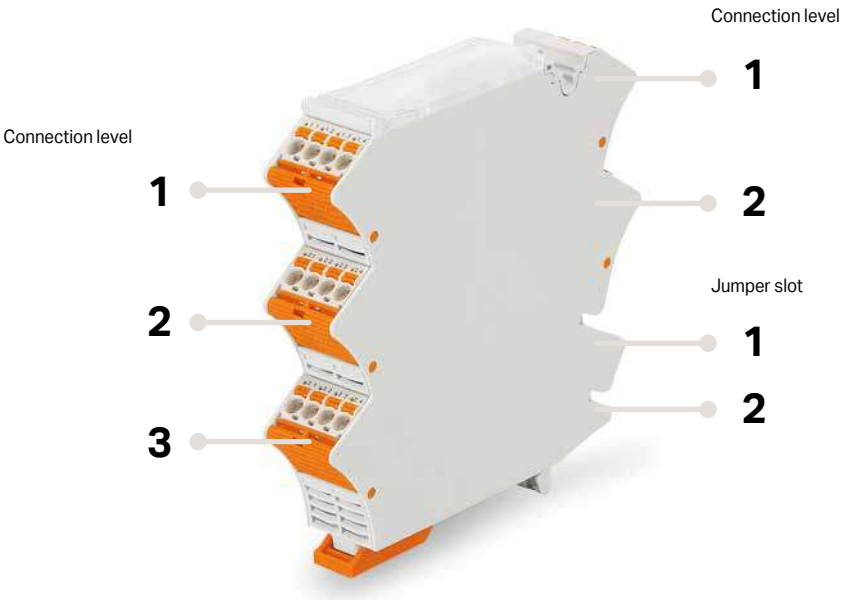
3. Snap on the side wall.

Housing configuration:

Housing width: 12.5 mm	 2857-101	 2857-102	 2857-103	-
Housing width: 22.5 mm	 2857-121	 2857-122	 2857-123	 2857-124
Connection levels	2-2	3-2	3-3	1-1
Jumper slots	2-2	0-2	0-0	2-2

Mixed configuration (fixed/removable/empty slot) upon request!

Example of connection level and jumper slot assignment:



Connection levels	3-2
Jumper slots	0-2

Modular Empty Housings ▶ for DIN-35 Rail 2857 Series



- *picoMAX*® female connectors; with coding keys; 4-pole
- Pre-assembled unit
- Flexible conductor termination
- Customizable connection levels
- Various marking options available
- Sealable, transparent cover
- Commoning via 859-402 Jumpers

Electrical Data (*picoMAX*® 5.0 Female Connector)

Ratings per	IEC/EN 60664-1		
Overvoltage category	III	III	II
Pollution degree	3	2	2
Rated voltage	250 V	320 V	630 V
Rated impulse voltage	4 kV	4 kV	4 kV
Rated current	16 A	16 A	16 A
Approvals per	UL 1059		
Use Group	B	C	D
Rated voltage	300 V	-	300 V
Rated current	15 A	-	10 A

Connection Data

Connection technology	Push-in CAGE CLAMP®
Strip length	9 ... 10 mm / 0.35 ... 0.39 inch
Conductor entry direction to PCB	45°
Solid conductor	0.2 ... 2.5 mm ² / 24 ... 12 AWG
Fine-stranded conductor	0.2 ... 2.5 mm ² / 24 ... 12 AWG
Fine-stranded conductor with ferrule with plastic collar	0.2 ... 1.5 mm ²
Fine-stranded conductor with ferrule without plastic collar	0.2 ... 2.5 mm ²

Material data (*picoMAX*® 5.0 Female Connector)

Material group	I
Insulation material	Polyphthalamide (PPA GF)
Flammability class per UL94	V0
Limit temperature range	-60 ... +100 °C
Contact material	Electrolytic copper (E _{cu})
Clamping spring material	Chrome nickel spring steel (CrNi)
Contact plating	Tin-plated

Material Data (Empty Housing)

Housing material	PC
Flammability class	V0
Ambient operating temperature	-40 ... +70 °C
Storage temperature	-40 ... +85 °C

Ferrule [Page 879](#)

General accessories [Page 853](#)

Jumper [Page 853](#)

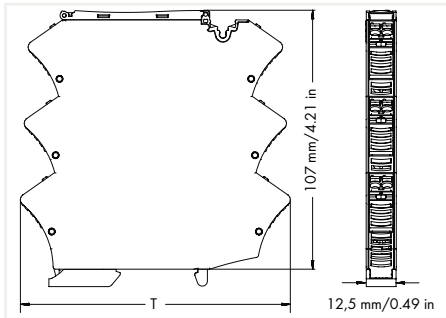
Marking [Page 862](#)

Tool [Page 870](#)

See technical section for further information

For approvals and corresponding ratings, visit www.wago.com

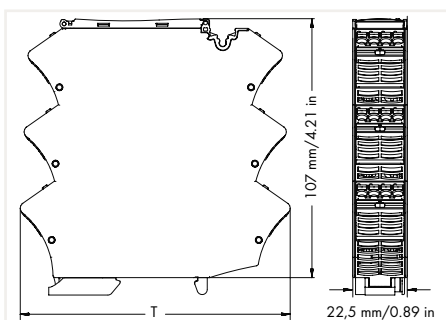
Modular Empty Housings ▶ for DIN-35 Rail 2857 Series



12.5 mm wide housing		
Description	Item No.	PU
2-2 connection levels; 2-2 jumper slots	2857-101	10
3-2 connection levels; 0-2 jumper slots	2857-102	10
3-3 connection levels; 0-0 jumper slots	2857-103	10

Technical Data: Empty Housing	
Dimensions (mm) W x H x D	12.5 x 107 x 108 (2857-101) 12.5 x 107 x 110 (2857-102) 12.5 x 107 x 112 (2857-103) Height from upper-edge of DIN-35 rail
Power loss	2 W

Accessories		
Description	Item No.	PU
Coding pin carrier	2092-1610	1
Jumpers	859-402	1



22.5 mm wide housing		
Description	Item No.	PU
2-2 connection levels; 2-2 jumper slots	2857-121	5
3-2 connection levels; 0-2 jumper slots	2857-122	5
3-3 connection levels; 0-0 jumper slots	2857-123	5
1-1 connection levels; 2-2 jumper slots	2857-124	5

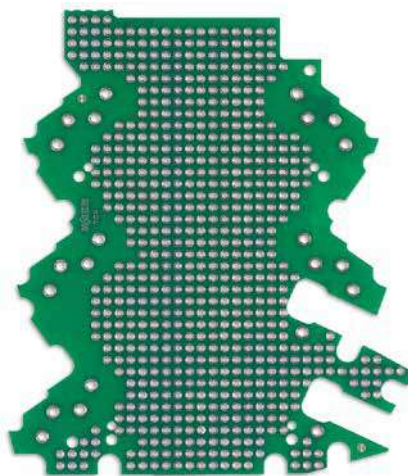
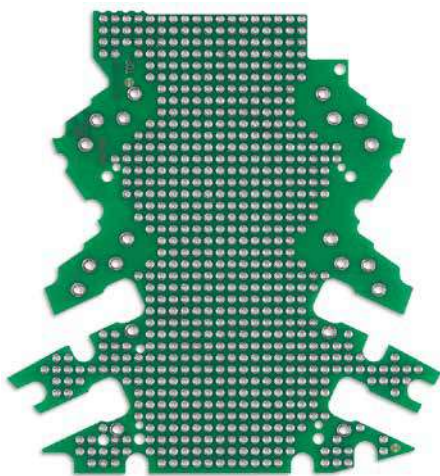
Technical Data: Empty Housing	
Dimensions (mm) W x H x D	22.5 x 107 x 108 (2857-121) 22.5 x 107 x 110 (2857-122) 22.5 x 107 x 112 (2857-123) 22.5 x 107 x 105 (2857-124) Height from upper-edge of DIN-35 rail
Power loss	3 W

Accessories		
Description	Item No.	PU
Coding pin carrier	2092-1610	1
Jumpers	859-402	1

Stripboards ▶ for Installation in Empty Housings ▶ for DIN-35 Rail 2857 Series

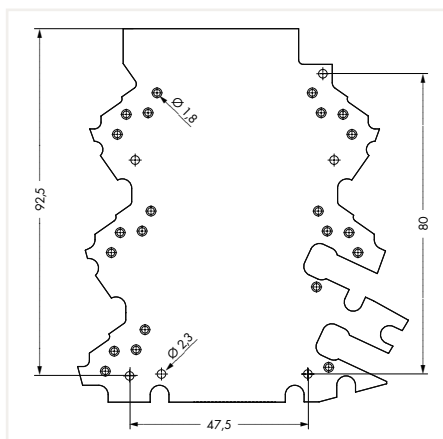
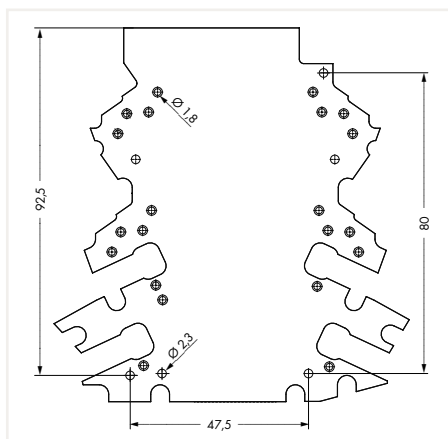
Connection levels: 2-2; Jumper slots: 2-2

Connection levels: 3-2; Jumper slots: 0-2



Item No.	PU
2857-191/3140-000	5

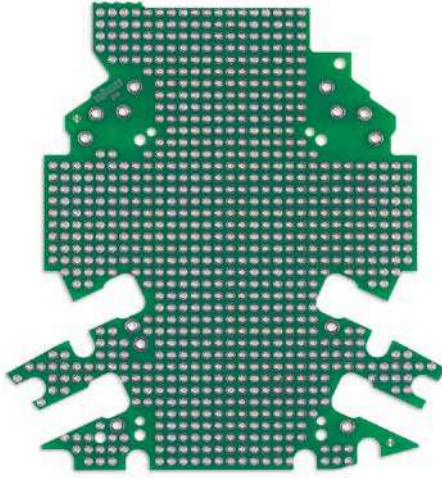
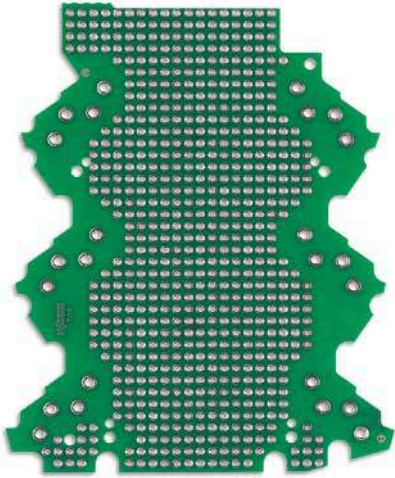
Item No.	PU
2857-192/3140-000	5



Stripboards ▶ for Installation in Empty Housings ▶ for DIN-35 Rail 2857 Series

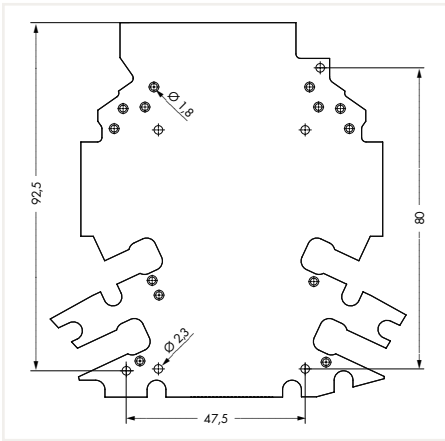
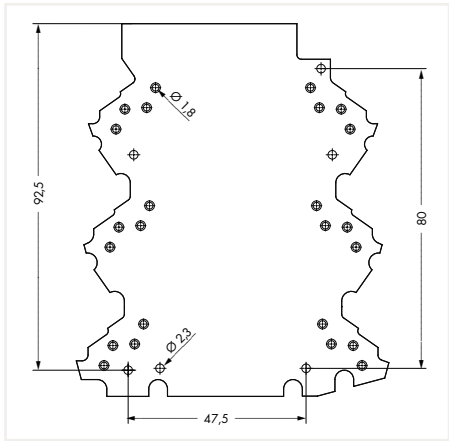
Connection levels: 3-3; Jumper slots: 0-0

Connection levels: 1-1; Jumper slots: 2-2



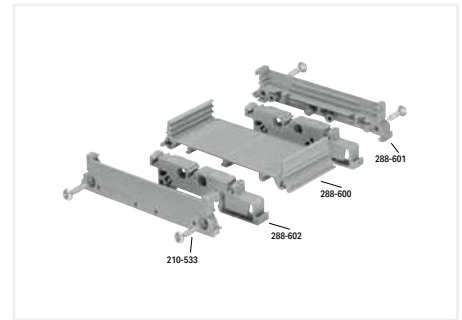
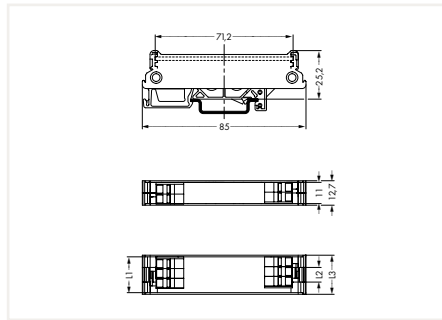
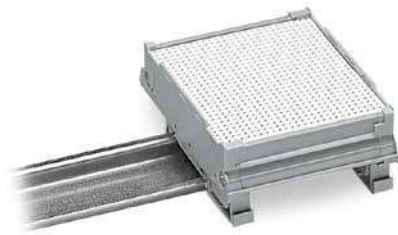
Item No.	PU
2857-193/3140-000	5

Item No.	PU
2857-194/3140-000	5



PU = Packaging Unit; SPU = Subpackaging Unit; Dimensions in mm

DIN-Rail Mount PCB Carriers 288 Series

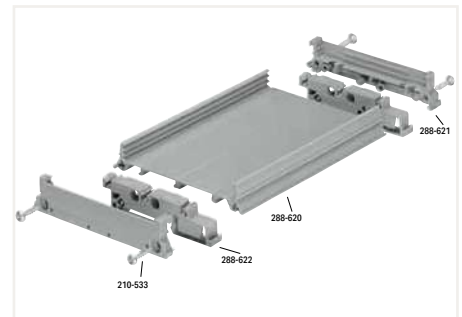
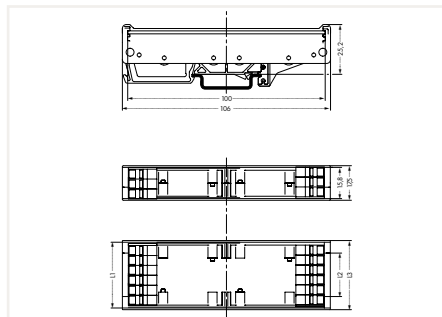


Mounting carrier (size 1)

Length calculation for a complete mounting carrier:

- PCB length: L1
- Base length: L2 = L1 - 11 mm
- Mounting carrier length: L3 = L1 + 2 mm
- Lateral cover (size 1): 6.35 mm thick
- Free space between base and PCB (when using upper PCB groove): 5 mm
- PCB tolerances: 1.5 mm ± 0.2 mm (thickness), ± 0.2 mm (length/width); -0.1/+0.3 for milling contours

Mounting carrier; size 1		
Description	Item No.	PU
Lateral cover; size 1; small; 6.35 mm thick	288-601	1
Mounting foot for DIN-35 rail	288-602	1
Carrier base; size 1; 1 m long	288-600	1



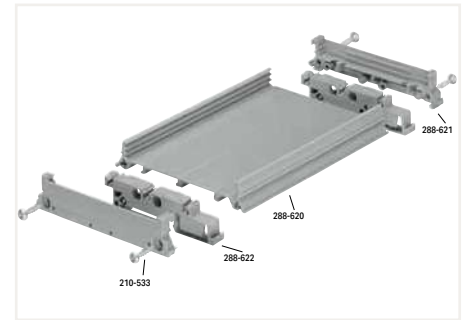
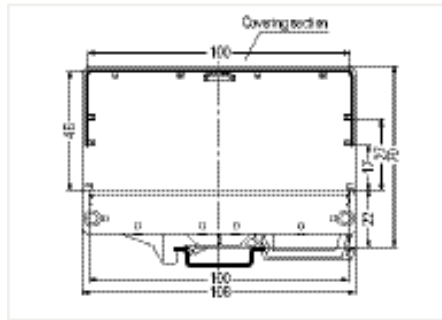
Mounting carrier (size 2)

Length calculation for a complete mounting carrier:

- PCB length: L1
- Base length: L2 = L1 - 15.8 mm
- Mounting carrier length: L3 = L1 + 2 mm
- Cover length: L4 = L1
- Lateral cover (size 2): 8.75 mm thick
- Free space between base and PCB (when using upper PCB groove): 5 mm
- PCB tolerances: 1.5 mm ± 0.2 mm (thickness); ± 0.2 mm (length/width); -0.1/+0.3 for milling contours

Mounting carrier; size 2		
Description	Item No.	PU
Lateral cover; size 2; small; 8.75 mm thick	288-621	1
Mounting foot for DIN-35 rail	288-622	1
Carrier base; size 2; 1 m long	288-620	1

DIN-Rail Mount PCB Carriers 288 Series



Mounting carrier (size 2)

Length calculation for a complete mounting carrier:

- PCB length: L1
- Base length: L2 = L1 - 15.8 mm
- Mounting carrier length: L3 = L1 + 2 mm
- Cover length: L4 = L1
- Lateral cover (size 2): 8.75 mm thick
- Free space between base and PCB (when using upper PCB groove): 5 mm
- PCB tolerances: 1.5 mm ± 0.2 mm (thickness); ± 0.2 mm (length/width); -0.1/+0.3 for milling contours

Mounting carrier; size 2; with cover		
Description	Item No.	PU
Lateral cover; size 2; large; 8.75 mm thick	288-626	1
Cover; size 2; 1 m long	288-627	1

Accessories; for all products on this page

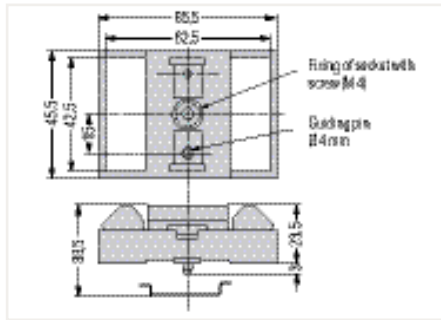
Marking strips



Description	Item No.	PU
Phillips screw 2.9 x 13*	210-533	25
Marking strip 7.5 x 0.5 mm; 1 m long; translucent	709-196	1

* Two pieces per lateral cover; for a module length of 35 mm or higher; lateral covers must be riveted for smaller modules. Rivet length depends on module length (rivets are not offered by WAGO).

DIN-Rail-Mount PCB Carriers and Feet Series 288














Mounting carrier			
Description		Item No.	PU
Mounting carrier	For screw mounting or DIN-rail mounting via universal snap-on type mounting feet (to be ordered separately)	288-001	1
Universal mounting foot	Snap-on type; for DIN-15, DIN-32 and DIN-35 rails	288-002	10
Mounting carrier for PCBs	Suitable for a "Eurocard" PCB (100 x 160 mm)	288-003	1

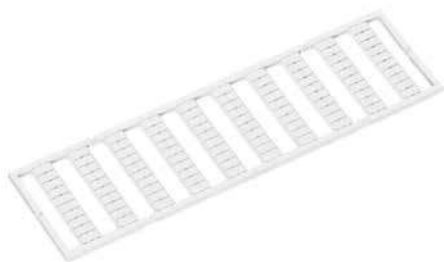


WAGO Accessories and WAGO Tools

WAGO Accessories and WAGO Tools

		Page
	Marking Systems	862
	DIN-Rails	868
	Operating Tools	870
	Cable Strippers	874
	Stripping Tools	876
	Crimping Tools for Ferrules	878
	Ferrules	879
	Cable Cutter	882
	„Alu-Plus“ Contact Paste	883
	Test and Measurement Devices	884
	Test Plugs	886

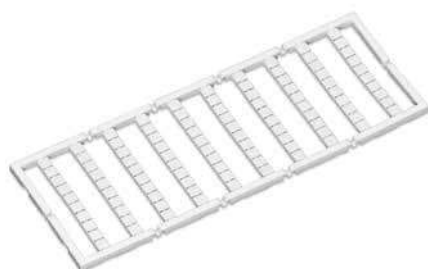
Marking System



WMB marker card; plain; 10 strips with 10 markers/card			
Color	5 mm Item No.	5 ... 5.2 mm Item No.	Pack. Unit
○ white	793-501	793-5501	5
● yellow	793-501/000-002	793-5501/000-002	5
● red	793-501/000-005	793-5501/000-005	5
● blue	793-501/000-006	793-5501/000-006	5
○ gray	793-501/000-007	793-5501/000-007	5
● orange	793-501/000-012	793-5501/000-012	5
● light green	793-501/000-017	793-5501/000-017	5
● green	793-501/000-023	793-5501/000-023	5
● violet	793-501/000-024	793-5501/000-024	5



WMB Inline; plain; 1,500 WMB markers (5 mm)/reel; stretchable 5 ... 5.2 mm		
Color	3.5 mm Item No.	Pack. Unit
○ white	2009-115	1



Mini-WSB marker card; plain; 10 strips with 10 markers/card		
Color	3.5 mm Item No.	Pack. Unit
○ white	248-501	5
● yellow	248-501/000-002	5
● red	248-501/000-005	5
● blue	248-501/000-006	5
○ gray	248-501/000-007	5
● orange	248-501/000-012	5
● light green	248-501/000-017	5
● green	248-501/000-023	5
● violet	248-501/000-024	5

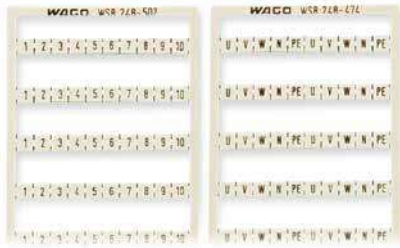


Mini-WSB Inline; plain; 1,700 markers (5 mm)/reel; stretchable 5 ... 5.2 mm		
Color	3.5 mm Item No.	Pack. Unit
○ white	2009-145	1



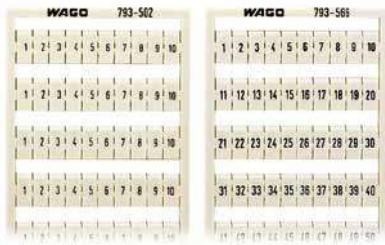
Felt-tip pen; for permanent marking		
	Item No.	Pack. Unit
	210-110	1

Printed Marker Card



Mini-WSB marker card; e.g., for 745 and 831 Series; 10 strips with 10 markers per card; Horizontal marking; Consecutive numbers/letters per strip

Marking per card	Item No.	Pack. Unit
1 ... 10 (10x)	248-502	5 cards
11 ... 20 (10x)	248-503	5 cards
21 ... 30 (10x)	248-504	5 cards
31 ... 40 (10x)	248-505	5 cards
41 ... 50 (10x)	248-506	5 cards
51 ... 60 (10x)	248-569	5 cards
61 ... 70 (10x)	248-570	5 cards
71 ... 80 (10x)	248-571	5 cards
81 ... 90 (10x)	248-572	5 cards
91 ... 100 (10x)	248-573	5 cards
1 ... 50 (2x)	248-566	5 cards
51 ... 100 (2x)	248-507	5 cards
101 ... 150 (2x)	248-508	5 cards
151 ... 200 (2x)	248-509	5 cards
201 ... 300 (2x)	248-510	5 cards
301 ... 400 (2x)	248-511	5 cards
401 ... 500 (2x)	248-512	5 cards
501 ... 600 (2x)	248-513	5 cards
601 ... 700 (2x)	248-514	5 cards
701 ... 800 (2x)	248-515	5 cards
801 ... 900 (2x)	248-516	5 cards
901 ... 1000 (2x)	248-517	5 cards
1 ... 9, ; (10x)	248-565	5 cards
U, V, W, N, PE, U, V, W, N, PE; (10x)	248-474	5 cards
L1, L2, L3, N, PE, L1, L2, L3, N, PE; (10x)	248-472	5 cards



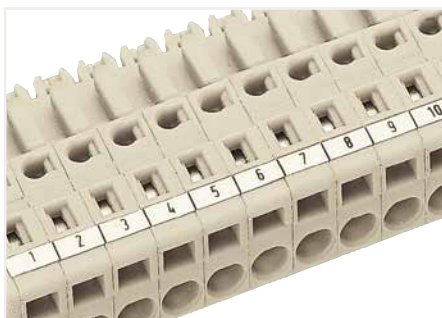
WMB marker card; e.g., for 745 Series (4 mm² / 10 mm pin spacing) and 831 Series; 10 strips with 10 markers per card; Horizontal marking; Consecutive numbers per strip

Marking per card	Item No.	Pack. Unit
1 ... 10 (10x)	793-502	5 cards
11 ... 20 (10x)	793-503	5 cards
21 ... 30 (10x)	793-504	5 cards
31 ... 40 (10x)	793-505	5 cards
41 ... 50 (10x)	793-506	5 cards
51 ... 60 (10x)	793-569	5 cards
61 ... 70 (10x)	793-570	5 cards
71 ... 80 (10x)	793-571	5 cards
81 ... 90 (10x)	793-572	5 cards
91 ... 100 (10x)	793-573	5 cards
1 ... 50 (2x)	793-566	5 cards
51 ... 100 (2x)	793-507	5 cards
101 ... 150 (2x)	793-508	5 cards
151 ... 200 (2x)	793-509	5 cards
201 ... 300 (2x)	793-510	5 cards
301 ... 400 (2x)	793-511	5 cards
401 ... 500 (2x)	793-512	5 cards
501 ... 600 (2x)	793-513	5 cards
601 ... 700 (2x)	793-514	5 cards
701 ... 800 (2x)	793-515	5 cards
801 ... 900 (2x)	793-516	5 cards
901 ... 1000 (2x)	793-517	5 cards
1 ... 9, ; (10x)	793-565	5 cards
L1, L2, L3, N, PE, L1, L2, L3, N, PE; (10x)	793-472	5 cards

Marking Card; Self-Adhesive Marking Strips



Marking MCS Connectors – parallel to conductor entry.



Marking MCS Connectors – perpendicular to conductor entry.



Marking PCB terminal blocks (256 Series).

Marking card for 2.5 mm pin spacing; for 218, 233, 234, 250 Series and MCS MICRO male and female connectors; Marking perpendicular to conductor entry

Marking	Strip height	Item No.	Pack. Unit
1 ... 16 (400 x)	2.3 mm	210-331/250-202	1 card/100 strips
17 ... 32 (400 x)	2.3 mm	210-331/250-204	1 card/100 strips
33 ... 48 (400 x)	2.3 mm	210-331/250-206	1 card/100 strips
1 ... 48 (400 x)	2.3 mm	210-331/250-207	1 card/100 strips

Marking card for 2.54 mm pin spacing; for 218, 233, 234, 250 Series

Marking	Strip height	Item No.	Pack. Unit
1 ... 16 (400 x)	2.3 mm	210-331/254-202	1 card/100 strips
17 ... 32 (400 x)	2.3 mm	210-331/254-204	1 card/100 strips
33 ... 48 (400 x)	2.3 mm	210-331/254-206	1 card/100 strips
1 ... 48 (100 x)	2.3 mm	210-331/254-207	1 card/100 strips

Marking card for 3.5 mm pin spacing; for 250, 252, 739, 805 Series and MCS MINI male and female connectors; Marking perpendicular to conductor entry

Marking	Strip height	Item No.	Pack. Unit
1 ... 16 (240 x)	3 mm	210-332/350-202	1 card/80 strips
17 ... 32 (240 x)	3 mm	210-332/350-204	1 card/80 strips
33 ... 48 (240 x)	3 mm	210-332/350-206	1 card/80 strips

Marking card for 3.81 mm pin spacing; for 235, 734, 735, 739 Series

Marking	Strip height	Item No.	Pack. Unit
1 ... 16 (160 x)	3 mm	210-332/381-202	1 card/80 strips
17 ... 32 (160 x)	3 mm	210-332/381-204	1 card/80 strips
33 ... 48 (160 x)	3 mm	210-332/381-206	1 card/80 strips
1 ... 32 (80 x)	3 mm	210-332/381-205	1 card/80 strips

Marking card for 3.96 mm pin spacing; for 235 Series

Marking	Strip height	Item No.	Pack. Unit
1 ... 16 (160 x)	3 mm	210-332/396-202	1 card/80 strips
17 ... 32 (160 x)	3 mm	210-332/396-204	1 card/80 strips
33 ... 48 (160 x)	3 mm	210-332/396-206	1 card/80 strips
1 ... 32 (80 x)	3 mm	210-332/396-205	1 card/80 strips

Marking card for 4 mm pin spacing; for 235 Series

Marking	Strip height	Item No.	Pack. Unit
1 ... 16 (160 x)	3 mm	210-332/400-202	1 card/80 strips
17 ... 32 (160 x)	3 mm	210-332/400-204	1 card/80 strips
33 ... 48 (160 x)	3 mm	210-332/400-206	1 card/80 strips
1 ... 32 (80 x)	3 mm	210-332/400-205	1 card/80 strips

Marking Card; Self-Adhesive Marking Strips

Marking card for 5 mm pin spacing; for 235, 236, 250, 253, 254, 255, 256, 257, 736, 737, 738, 739, 740, 741, 745, 806, 816 Series and MCS MIDI male and female connectors; Marking perpendicular to conductor entry

Marking	Strip height	Item No.	Pack. Unit
1 ... 16 (160 x)	3 mm	210-332/500-202	1 card/80 strips
17 ... 32 (160 x)	3 mm	210-332/500-204	1 card/80 strips
33 ... 48 (160 x)	3 mm	210-332/500-206	1 card/80 strips
1 ... 32 (80 x)	3 mm	210-332/500-205	1 card/80 strips

Marking card for 5 mm pin spacing; for 804 Series and MCS MIDI male and female connectors with CAGE CLAMP® connection; Marking parallel to conductor entry

Marking	Strip height	Item No.	Pack. Unit
1 ... 12 (300 x)	2.3 mm	210-331/500-103	1 card/100 strips
13 ... 24 (300 x)	2.3 mm	210-331/500-104	1 card/100 strips

Marking card for 5.08 mm pin spacing; for 235, 236, 254, 255, 256, 257, 736, 737, 738, 739, 741 Series and MCS MIDI male and female connectors; Marking perpendicular to conductor entry

Marking	Strip height	Item No.	Pack. Unit
1 ... 16 (160 x)	3 mm	210-332/508-202	1 card/80 strips
17 ... 32 (160 x)	3 mm	210-332/508-204	1 card/80 strips
33 ... 48 (160 x)	3 mm	210-332/508-206	1 card/80 strips
1 ... 32 (80 x)	3 mm	210-332/508-205	1 card/80 strips

Marking card for 5.08 mm pin spacing; for MCS MIDI male and female connectors with CAGE CLAMP® connection; Marking parallel to conductor entry

Marking	Strip height	Item No.	Pack. Unit
1 ... 12 (200 x)	2.3 mm	210-331/508-103	1 card/100 strips
13 ... 24 (200 x)	2.3 mm	210-331/508-104	1 card/100 strips

Marking card for 5.75 mm pin spacing; for 243 Series

Marking	Strip height	Item No.	Pack. Unit
1 ... 12 (160 x)	3 mm	210-332/575-103	1 card/80 strips

Marking card for 7 mm pin spacing; for 826 Series

Marking	Strip height	Item No.	Pack. Unit
1 ... 12 (160 x)	3 mm	210-332/700-103	1 card/80 strips
12 ... 1 (160 x)	3 mm	210-332/700-102	1 card/80 strips

Marking card for 7.5 mm pin spacing; for 235, 236, 239, 250, 254, 255, 256, 257, 736, 737, 739, 741, 746, 745 Series and MCS MIDI male and female connectors; Marking perpendicular to conductor entry

Marking	Strip height	Item No.	Pack. Unit
1 ... 20 (80 x)	3 mm	210-332/750-020	1 card/80 strips

Marking card for 7.5 mm pin spacing; for 804 Series and MCS MIDI male and female connectors with CAGE CLAMP® connection; Marking parallel to conductor entry

Marking	Strip height	Item No.	Pack. Unit
1 ... 16 (100 x)	2.3 mm	210-331/750-202	1 card/100 strips

Marking card for 7.62 mm pin spacing; for 235, 236, 254, 255, 256, 257, 736, 737, 739, 741 Series and MCS MIDI male and female connectors; Marking perpendicular to conductor entry

Marking	Strip height	Item No.	Pack. Unit
1 ... 20 (80 x)	3 mm	210-332/762-020	1 card/80 strips

Marking card for 7.62 mm pin spacing; for MCS MIDI male and female connectors with CAGE CLAMP® connection; Marking parallel to conductor entry

Marking	Strip height	Item No.	Pack. Unit
1 ... 16 (100 x)	2.3 mm	210-331/762-202	1 card/100 strips

Marking Card; Self-Adhesive Marking Strips

Marking card for 7.62 mm pin spacing; for MCS MAXI male and female connectors			
Marking	Strip height	Item No.	Pack. Unit
1 ... 16 (100 x)	5 mm	210-334/762-202	1 card/48 strips

Marking card for 10 mm pin spacing; for 235, 236, 254, 255, 256, 257, 736, 737, 741, 745 Series			
Marking	Strip height	Item No.	Pack. Unit
1 ... 16 (80 x)	3 mm	210-332/1000-202	1 card/80 strips
17 ... 32 (80 x)	3 mm	210-332/1000-204	1 card/80 strips
33 ... 48 (80 x)	3 mm	210-332/1000-206	1 card/80 strips

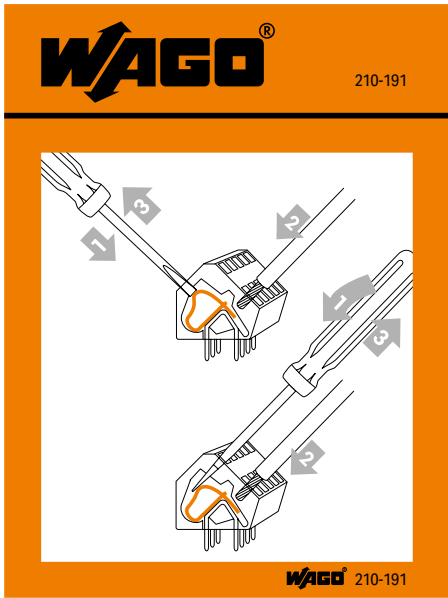
Marking card for 10.16 mm pin spacing; for 235, 236, 254, 255, 256, 257, 736, 737, 741 Series			
Marking	Strip height	Item No.	Pack. Unit
1 ... 16 (80 x)	3 mm	210-332/1016-202	1 card/80 strips
17 ... 32 (80 x)	3 mm	210-332/1016-204	1 card/80 strips
33 ... 48 (80 x)	3 mm	210-332/1016-206	1 card/80 strips

Marking card available for all pin spacings:			
Marking	Strip height	Item No.	Pack. Unit
plain*	2.3 mm	210-331	1 card/100 strips
plain*	3 mm	210-332	1 card/80 strips
plain*	5 mm	210-334	1 card/48 strips
Only separators printed	2.3 mm	210-331/xxxx-001	1 card/100 strips
Only separators printed	3 mm	210-332/xxxx-001	1 card/80 strips
Only separators printed	5 mm	210-334/xxxx-001	1 card/48 strips
Ordering example: 5.08 mm pin spacing; 3 mm strip height: 210-332/508-001		(xxxx = pin spacing)	

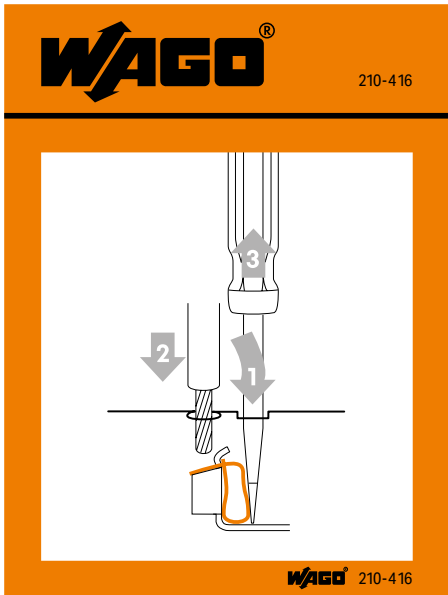
* Plain marker cards can be printed via WAGO Smart Script.

WAGO Smart Script is part of the WAGO ProServe® Software. You can download this free software at www.wago.com.

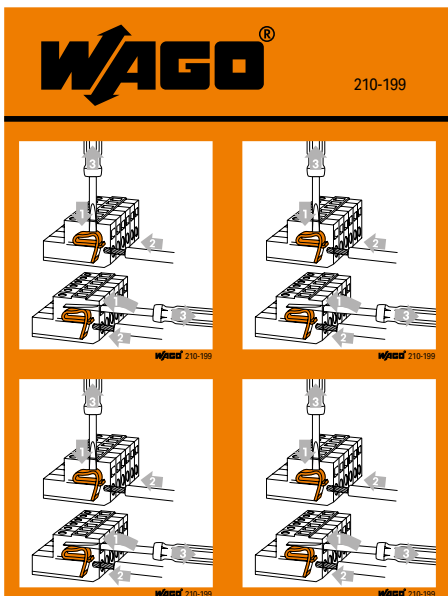
Sticker with Operating Instructions



Sticker with operating instructions; for PCB terminal blocks with CAGE CLAMP® connection; Size: (60 x 63) mm		
Series	Item No.	Pack. Unit
236	210-191	100
736, 737 and 738	210-406	100



Sticker with operating instructions; for CAGE CLAMP® connection; Size: (60 x 63) mm		
Series	Item No.	Pack. Unit
universal	210-416	100



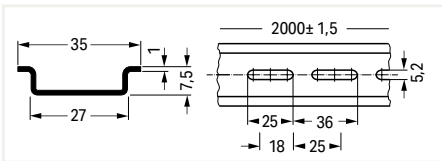
Sticker with operating instructions; for MCS Connectors with CAGE CLAMP® connection; Size: (30 x 30) mm x 4 mm		
Series	Item No.	Pack. Unit
universal	210-199	100
713	210-493	100

DIN-Rail

For the entire range of WAGO DIN-rail types, refer to Full Line Catalog, Volume 1, Rail-Mount Terminal Block Systems, or visit www.wago.com.



Dimensions in mm



Steel DIN-rail; I_N 76 A (based on 1 m length); 35 x 7.5 mm; 1 mm thick; 2 m long; per EN 60715

	Item No.	Pack. Unit
unslotted	210-113	10 (1)

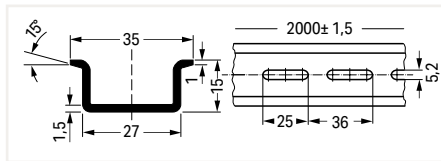
Hole width: 25 mm; Hole spacing: 36 mm

slotted	210-112	10 (1)
---------	---------	--------

Hole width: 18 mm; Hole spacing: 25 mm

slotted	210-115	1
---------	---------	---

Dimensions in mm



Steel DIN-rail; I_N 125 A (based on 1 m length); 35 x 15 mm; 1.5 mm thick; 2 m long; similar to EN 60715

	Item No.	Pack. Unit
unslotted	210-114	10 (1)
slotted	210-197	10 (1)

Screw

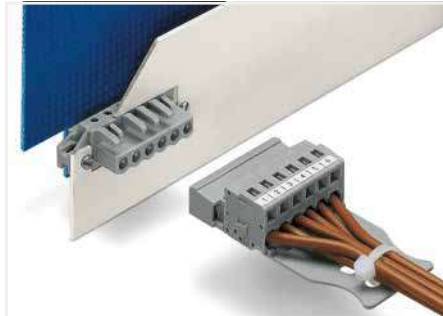


Self-tapping screw; for 1.8 mm Ø mounting hole

Dimensions	Item No.	Pack. Unit
B 2.2 x 9.5 mm	209-147	200 (100)
B 2.2 x 13 mm	231-194	200 (100)

Screw with nut; e.g., for locking device or mounting flange

Dimensions	Item No.	Pack. Unit
M 2 x 12 mm	231-195	200 (100)
M 2.5 x 10 mm	231-295	200 (100)



The innovative flange design provides standard panel mounting options or various through-panel mounting configurations. Depending on the type of application and flange, female headers can be used either for through-panel or flush mounted applications.



Locking devices enhance connection reliability between male headers with angled solder pins and the PCB. This substantially reduces mechanical stress on both solder pins and joints, particularly when dealing with small lengths and frequent mating cycles.

Operating Tool



Operating tool with a partially insulated shaft; Type 1; (2.5 x 0.4) mm blade

Item No.	Pack. Unit
210-719	50 (1)



Set of operating tools with a partially insulated shaft; Type 1; (2.5 x 0.4) mm blade; Type 2; (3.5 x 0.5) mm blade; Type 3; (5.5 x 0.8) mm blade

Item No.	Pack. Unit
210-722	1



Operating tool with a partially insulated shaft; Type 1; (2.5 x 0.4) mm blade; short

Item No.	Pack. Unit
210-647	50 (1)

Operating tool with a partially insulated shaft; Type 2; (3.5 x 0.5) mm blade

210-720	50 (1)
---------	--------

Operating tool with a partially insulated shaft; (2.5 x 0.4) mm blade; short; angled

210-648	50 (1)
---------	--------

Operating tool with a partially insulated shaft; type 3; (5.5 x 0.8) mm blade

210-721	25 (1)
---------	--------

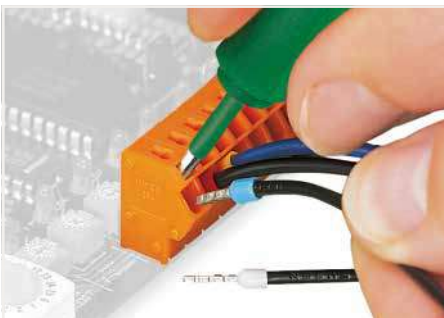
Operating tool with a partially insulated shaft; (3.5 x 0.5) mm blade; short

210-657	50 (1)
---------	--------

210-722	1
---------	---

Operating tool with a partially insulated shaft; (3.5 x 0.5) mm blade; short; angled

210-658	50 (1)
---------	--------



Thanks to their blade dimensions, the offered operating tools are ideal for operating both PCB terminal blocks and MCS Connectors.



Set of operating tools in a box (210-722)



The offered operating tools with blade dimensions per DIN 5264 are ideal for operating PCB terminal blocks.

Operating Tool



Operating tool; for 233 and 733 Series		
	Item No.	Pack. Unit
metal; partially insulated; green	233-335	50 (1)
insulated; natural	233-332	500 (50)
insulated; yellow	233-331	500 (25)



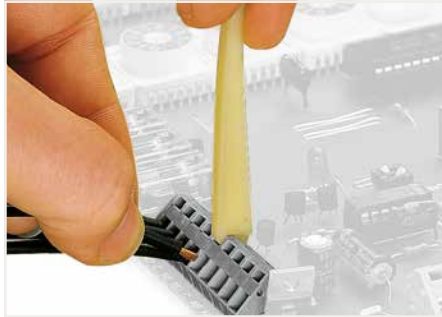
Operating tool; for 236 Series		
	Item No.	Pack. Unit
insulated	236-332	400 (50)
metal	236-335	500 (1)



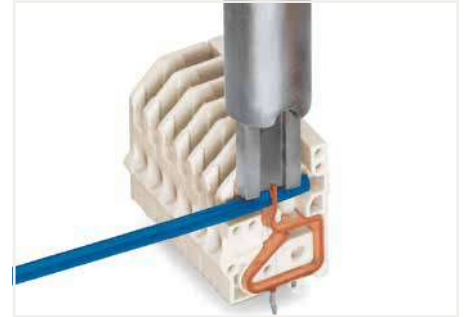
Connection tool; for IDC termination; for 251 Series		
	Item No.	Pack. Unit
	206-831	25 (1)



Compared to standard screwdrivers, these operating tools are far more convenient for wiring PCB terminal strips at factory.



Inserting a conductor via operating tool.



Disconnection Tool



Disconnection tool; with two replacement blades in the handle; removes conductors from 251 Series PUSH WIRE® Connectors; "mini" version

Item No.	Pack. Unit
206-830	1



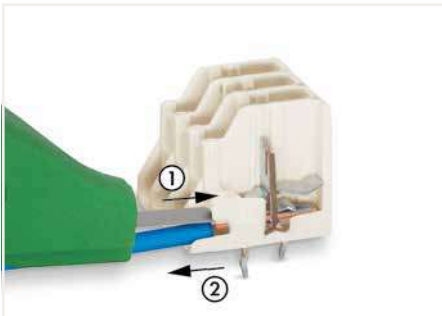
Disconnection tool; for 744 Series

Item No.	Pack. Unit
206-841	1



Operating tool, for male and female connectors equipped with CAGE CLAMP® connection, 5/5.08 mm and 7.5/7.62 mm pin spacings

Color	Item No.	Pack. Unit
● yellow	210-251	20
● red	210-250	20



Disconnection tool includes two replacement blades in the handle.



When operating the handles beyond the locked position, the ratchet allows the tool to open and be removed from the terminal block.



The operating pliers are placed into the upper operating slot of the rail-mount terminal block and the clamp is hooked into the lateral operating slot. The contact is fully opened by pressing the handles together until they engage. This will allow both hands to be used for wiring the terminal blocks.



Disconnection tool includes two replacement blades in the handle.

Cable Stripper



Never use this tool on or near live electrical circuits!

Cable knife; for Ø 8 ... 28 mm / 0.31 ... 1.10 inch; with a unique, changeable cable bracket system; including cable bracket

Item No.	Pack. Unit
206-1403	1

Cable knife set; for Ø 4 ... 70 mm / 0.16 ... 2.75 inch; including all cable brackets in a Sortimo® Box


Item No.	Pack. Unit
206-1400	1




To replace the cable bracket, use the new bracket as an operating tool and pull it upwards.

Item-Specific Accessories


Cable bracket; for Ø 4 ... 16 mm / 0.16 ... 0.63 inch

	206-1411	1
--	----------	---


Cable bracket; for Ø 8 ... 28 mm / 0.31 ... 1.10 inch

	206-1412	1
--	----------	---


Cable bracket; for Ø 27 ... 35 mm / 1.06 ... 1.38 inch

	206-1413	1
--	----------	---

Cable bracket; for Ø 35 ... 50 mm / 1.38 ... 1.97 inch


	206-1414	1
--	----------	---

Cable bracket; for Ø 50 ... 70 mm / 1.97 ... 2.75 inch


	206-1415	1
--	----------	---

Accessories

Spare inside blade

	206-1418	1
--	----------	---

Spare hook blade

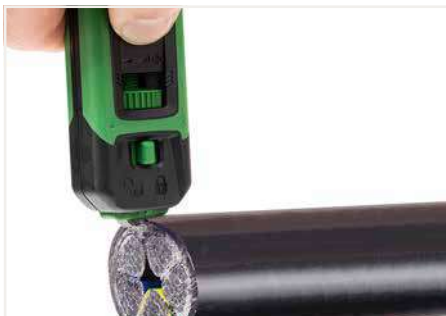
	206-1419	1
---	----------	---



The cutting depth of the hook blade can be adjusted with the slider.



The cutting depth of the inner knife can be adjusted with the screw.



Strip large cross sections with the hook blade.



Release the fuse before using the hook blade.

Cable Stripper



In-socket cable stripper; for Ø 8 ... 13 mm / 5/16 ... 1/2 inch

	Item No.	Pack. Unit
	206-1441	1



Universal cable stripper; for Ø 8 ... 13 mm / 5/16 ... 1/2 inch

	Item No.	Pack. Unit
	206-1442	1



Data cable stripper; for Ø 4.5 ... 10 mm / 3/16 ... 3/8 inch

	Item No.	Pack. Unit
	206-1451	1



Product features:

- Extra long design and improved force transmission simplifies stripping in deep device connection sockets
- Special four-blade design for an even more precise round cut
- No cutting depth adjustment required
- TiN-coated blades, TÜV/GS tested
- Ø 8 ... 13 mm / 5/16 ... 1/2 inch
- Strips all standard round cables, including NYM 3 x 1.5 mm² ... 5 x 2.5 mm²



Product features:

- Secure grip achieved with soft padding for non-slip grips
- Technically improved functionality
- New locking mechanism prevents the unwanted opening of the tool
- Absolutely straightforward, quick and easy longitudinal cuts – with innovative internal cable duct
- Redesigned blade layout and intake to stop cable waste from jamming the tool
- Durable and ergonomically designed pocket clip
- Ø 8 ... 13 mm / 5/16 ... 1/2 inch



Product features:

- Strip outer insulation and foil sheathing with one tool
- Ideal for stripping PVC-insulated data cables with thin insulation (e.g., Cat 5, Cat 6, Cat 7, twisted-pair cables)
- TiN-coated blades
- Ø 4.5 ... 10 mm / 3/16 ... 3/8 inch



Cable Stripper



Never use this tool on or near live electrical circuits!

The stripping pliers for sensor cables have a blade geometry specially designed for sensor cables with a smaller cross section and a working range from Ø 3.2 mm (for stranded cables and round cables with Ø 3.2 mm ... 4.4 mm / 0.13 ... 0.17 inch).

The stripping pliers for control cables are designed for stronger cables from Ø 4.4 mm (for stranded cables and round cables with Ø 4.4 mm ... 7 mm / 0.17 ... 0.27 inch).

These stripping pliers quickly and safely strip cables for connecting, e.g., sensor/actuator distribution boxes, bus couplers and pluggable connectors.

Stripping pliers; for sensor cables; for Ø 3.2 ... 4.4 mm / 0.13 ... 0.17 inch

Item No.	Pack. Unit
206-1481	1

Stripping pliers; for control cables; for Ø 4.4 ... 7 mm / 0.17 ... 0.27 inch

Item No.	Pack. Unit
206-1482	1

Item-Specific Accessories

Replacement blade set; for Ø 3.2 ... 4.4 mm / 0.13 ... 0.17 inch

206-1491	1
----------	---



Item-Specific Accessories

Replacement blade set; for Ø 4.4 ... 7 mm / 0.17 ... 0.27 inch

206-1492	1
----------	---



Suitable for:

- Halogen-free PUR sensor/actuator cables
- Highly flexible TPE-U cables
- Control cables
- PUR cables
- PUR/PVC cables
- PVC cables
- Multi-core cables
- Shielded and unshielded cables



Wire Stripper



Wire stripper "Quickstrip Vario"; 0.03 ... 16 mm² / 34 ... 6 AWG

	Item No.	Pack. Unit
	206-1125	1

Accessories

Blade set; Standard; 0.03 ... 16 mm² / 34 ... 6 AWG

	206-1126	1
---	----------	---

Blade set; V-blade; 0.14 ... 4 mm² / 24 ... 12 AWG

	206-1127	1
---	----------	---

Blade set; Oval blade; 10 ... 16 mm² / 8 ... 6 AWG

	206-1128	1
---	----------	---

Spare stripping stop

	206-1129	1
---	----------	---

Spare cut protector

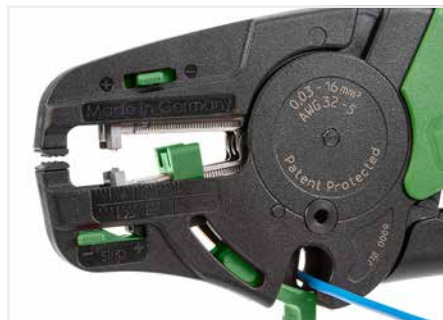
	206-1131	1
---	----------	---

Spare clamping jaws

	206-1132	1
---	----------	---



Cutting a conductor.



Partially stripping a conductor.

Wire Stripper:

- Automatically adjust to conductor size
- Stripping blades cause no damage to conductor strands
- Gripping pressure of jaws adjusts automatically to conductor insulation diameter
- Clamping jaws and stripping blades automatically open once the stripping process is completed – no splaying of the conductor strands
- Exact strip length may be set by sliding black setting stop
- Stripping blades can be replaced
- Self-sharpening, fully protected cutter (replaceable)
- Entire body made of glass-fiber-reinforced polyamide
- Cutting capacity of the wire cutter of fine-stranded conductors up to 16 mm² (6 AWG)

Crimping Tool



Crimping Tool "Variocrimp 4"; for insulated and uninsulated ferrules; Crimping range: 0.25 ... 4 mm² (24 ... 12 AWG)

Item No.	Pack. Unit
206-1204	1

Crimping Tool "Variocrimp 16"; for insulated and uninsulated ferrules; Crimping range: 6 mm² (10 AWG), 10 mm² (8 AWG) and 16 mm² (6 AWG)

Item No.	Pack. Unit
206-1216	1

Spring clamp; large

206-1205	1
----------	---



Spring clamp; small

206-1206	1
----------	---



Spring clamp; small

206-1206	1
----------	---



Application notes:

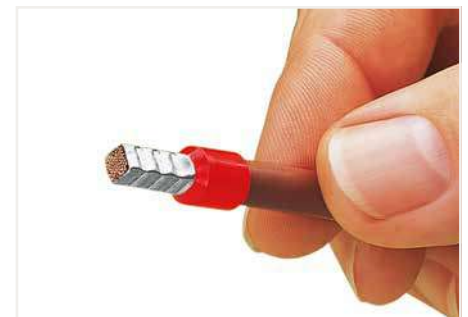
- The built-in crimping pressure control of "Variocrimp 4" automatically adjusts the crimping force to the conductor cross section. Select the wire gauge on "Variocrimp 16" before crimping.
- Only one crimping station is needed to handle the specified conductor range.
- Uniform, compact crimping on all four sides for high conductor retention.
- No need to center the ferrules into the terminal blocks.
- Crimping can be performed from either side (for left- or right-handed users).
- Built-in ratchet mechanism ensures gas-tight crimp connection.
- Crimping tools open automatically after crimping operation is complete.
- Ergonomically designed handles.



Insert the ferruled conductor into the crimping station.



Squeeze handles until ratchet mechanism is released.

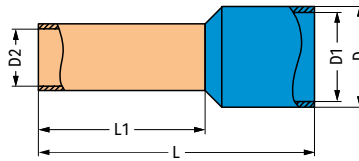


A perfect gas-tight crimp – both electrically and mechanically reliable

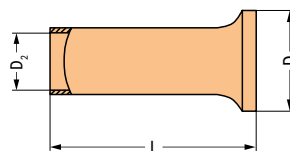


Only for "Variocrimp 16":
Adjust conductor cross section with crimping tool in open position.

Insulated and Uninsulated Ferrules



Ferrule; insulated; electro-tin-plated; electrolytic copper; gastight crimped; per DIN 46288 (Part 4/09.09)									
Conductor Cross Section	Color	Strip Length	L	L 1	D	D 1	D 2	Item No.	Pack. Unit
0.25 mm ² / 24 AWG	yellow	7 mm / 0.28 inch	10	6	2;3	1;8	0;5	216-321	1000
0.25 mm ² / 24 AWG	yellow	9 mm / 0.35 inch	12	8	2;3	1;8	0;5	216-301	1000
0.34 mm ² / 22 AWG	green	7 mm / 0.28 inch	10	6	2;5	2	0;5	216-322	1000
0.34 mm ² / 22 AWG	green	9 mm / 0.35 inch	12	8	2;5	2	0;5	216-302	1000
0.5 mm ² / 20 AWG	white	7 mm / 0.28 inch	12	6	3;1	2;6	1	216-221	1000
0.5 mm ² / 20 AWG	white	9 mm / 0.35 inch	14	8	3;1	2;6	1	216-201	1000
0.75 mm ² / 18 AWG	gray	8 mm / 0.31 inch	12	6	3;3	2;8	1;2	216-222	1000
0.75 mm ² / 18 AWG	gray	10 mm / 0.39 inch	14	8	3;3	2;8	1;2	216-202	1000
1 mm ² / 18 AWG	red	8 mm / 0.31 inch	12	6	3;5	3	1;4	216-223	1000
1 mm ² / 18 AWG	red	10 mm / 0.39 inch	14	8	3;5	3	1;4	216-203	1000
1.5 mm ² / 16 AWG	black	8 mm / 0.31 inch	12	6	4	3;5	1;7	216-224	1000
1.5 mm ² / 16 AWG	black	10 mm / 0.39 inch	14	8	4	3;5	1;7	216-204	1000
2.08 mm ² / 14 AWG	yellow	10 mm / 0.39 inch	15	8	4;8	4;2	2;05	216-205	1000
2.5 mm ² / 14 AWG	blue	10 mm / 0.39 inch	15	8	4;7	4;2	2;2	216-206	1000
4 mm ² / 12 AWG	gray	12 mm / 0.47 inch	18	10	5;4	4;8	2;8	216-207	500
6 mm ² / 10 AWG	yellow	14 mm / 0.55 inch	20	12	6;9	6;3	3;5	216-208	100
10 mm ² / 8 AWG	red	16 mm / 0.63 inch	22	12	8;4	7;6	4;6	216-209	100
16 mm ² / 6 AWG	blue	23 mm / 0.91 inch	28	18	9;6	8;8	5;8	216-210	100



Ferrule; uninsulated; electro-tin-plated; electrolytic copper; gastight crimped; per DIN 46288 (Part 4/09.09)						
Conductor Cross Section	Strip Length	L	D	D 2	Item No.	Pack. Unit
0.25 mm ² / 24 AWG	5 mm / 0.2 inch	5	1;7	0;75	216-151	1000
0.25 mm ² / 24 AWG	7 mm / 0.28 inch	7	1;7	0;75	216-131	1000
0.34 mm ² / 22 AWG	5 mm / 0.2 inch	5	1;8	0;85	216-152	1000
0.34 mm ² / 22 AWG	7 mm / 0.28 inch	7	1;8	0;85	216-132	1000
0.5 mm ² / 20 AWG	6 mm / 0.24 inch	6	2;1	1	216-121	1000
0.5 mm ² / 20 AWG	8 mm / 0.31 inch	8	2;1	1	216-101	1000
0.75 mm ² / 18 AWG	6 mm / 0.24 inch	6	2;3	1;2	216-122	1000
0.75 mm ² / 18 AWG	8 mm / 0.31 inch	8	2;3	1;2	216-102	1000
1 mm ² / 18 AWG	6 mm / 0.24 inch	6	2;5	1;4	216-123	1000
1 mm ² / 18 AWG	8 mm / 0.31 inch	8	2;5	1;4	216-103	1000
1.5 mm ² / 16 AWG	6 mm / 0.24 inch	6	2;8	1;7	216-124	1000
1.5 mm ² / 16 AWG	8 mm / 0.31 inch	8	2;8	1;7	216-104	1000
2.5 mm ² / 14 AWG	10 mm / 0.39 inch	10	3;4	2;2	216-106	1000
4 mm ² / 12 AWG	10 mm / 0.39 inch	10	4	2;8	216-107	1000
6 mm ² / 10 AWG	12 mm / 0.47 inch	12	4;7	3;5	216-108	250
10 mm ² / 8 AWG	12 mm / 0.47 inch	12	5;8	4;5	216-109	250
16 mm ² / 6 AWG	15 mm / 0.59 inch	15	7;5	5;8	216-110	250

Crimping Tool



Crimping Tool 25; for insulated and uninsulated ferrules; crimping range: 10 mm² (8 AWG), 16 mm² (6 AWG) and 25 mm² (4 AWG)

Item No.	Pack. Unit
206-1225	1

Crimping Tool 50; for insulated and uninsulated ferrules; crimping range: 35 mm² (2 AWG) and 50 mm² (1/0 AWG)

Item No.	Pack. Unit
206-1250	1



Insert the ferruled conductor into the crimping station.



Squeeze handles until ratchet mechanism is released.

Application notes:

- Improved crimping for higher conductor retention
- Crimping can be performed from either side (for left- or right-handed users).
- Built-in ratchet mechanism ensures gas-tight crimp connection.
- Crimping tools open automatically after crimping operation is complete.
- Ergonomically designed handles.

What is a "gas-tight" connection?

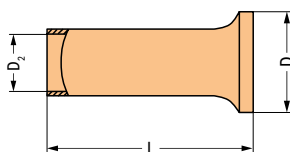
In a gas-tight connection, the conductor and the ferrule are compressed, eliminating all spaces. Under normal atmospheric conditions, neither a liquid nor gaseous medium can penetrate the crimped connection. Oxidation between crimped single conductors is prevented, virtually eliminating the possibility of any increase in the crimped connection's resistance. In some exceptional cases, minute, isolated spaces may be present. However, these instances can be considered as closed off due to the twisted conductor.

Inadequate crimping can allow the conductor to be pulled out of the connection. Hollow spaces also remain, permitting oxidation formation and leading to an increase in contact resistance.

Elevated resistance is detrimental for both signal transmission (signal flow is damped) and power transmission, resulting in power loss and contact heating (risk of fire). Crimping tools with built-in ratchets are recommended (e.g., WAGO Crimping Tools). These tools open automatically after the crimping operation is complete. Space-saving crimping from all four sides is ideal for spring clamp termination.

Ferruled conductor cross sections specified for WAGO products are based on this crimping method.

Uninsulated Ferrule



Ferrule; uninsulated; electro-tin-plated; electrolytic copper; gastight crimped; per DIN 46288 (Part 4/09.09)

Conductor Cross Section	Strip Length	L	D	D 2	Item No.	Pack. Unit
25 mm ² / 4 AWG	25 mm / 0.98 inch	25	9,5	7,3	216-413	50
35 mm ² / 2 AWG	25 mm / 0.98 inch	25	11	8,3	216-414	50
35 mm ² / 2 AWG	30 mm / 1.18 inch	30	11	8,3	216-424	50
50 mm ² / 1 AWG	30 mm / 1.18 inch	30	13	10,3	216-425	50
50 mm ² / 1 AWG	35 mm / 1.38 inch	35	13	10,3	216-435	50

Cable Cutter



Cable cutter; for copper and aluminum cables up to 35 mm² (2 AWG)

Item No.	Pack. Unit
206-118	1



Cutting a cable.

"Alu-Plus" Contact Paste

Terminating Aluminum Conductors



Syringe; contains 20 ml "Alu-Plus" Contact Paste

Item No.	Pack. Unit
249-130	20 (5)

Terminating Aluminum Conductors

WAGO spring clamp terminal blocks are suitable for solid aluminum conductors ① up to 4 mm²/12 AWG if WAGO "Alu-Plus" Contact Paste is used for termination.

Advantages of the "Alu-Plus" Contact Paste:

- Automatically destroys the oxide film during clamping.
- Prevents fresh oxidation at the clamping point.
- Prevents electrolytic corrosion between aluminum and copper conductors (in the same terminal block).
- Provides long-term protection against corrosion.

Using terminal blocks with CAGE CLAMP® Spring Pressure Connection Technology, aluminum conductors must first be cleaned with a blade and then immediately be inserted into the clamping units filled with "Alu-Plus" Contact Paste.

It is also possible to apply WAGO "Alu-Plus" additionally on the whole surface of the aluminum conductor before termination.

Please note that the nominal currents must be adapted to the reduced conductivity of the aluminum conductors:

$$2.5 \text{ mm}^2 (14 \text{ AWG}) = 16 \text{ A}$$

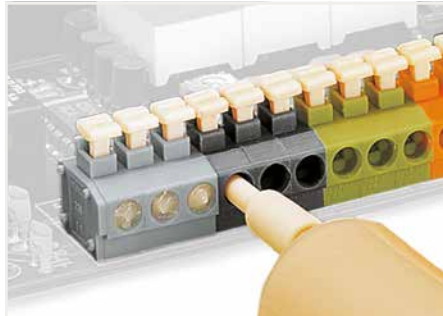
$$4 \text{ mm}^2 (12 \text{ AWG}) = 22 \text{ A}$$

WAGO "Alu-Plus" in the syringe offers a higher degree of reliability and cleanliness when terminating solid aluminum conductors.

Filling is, for example, quickly performed on WAGO PCB Terminal Trips:

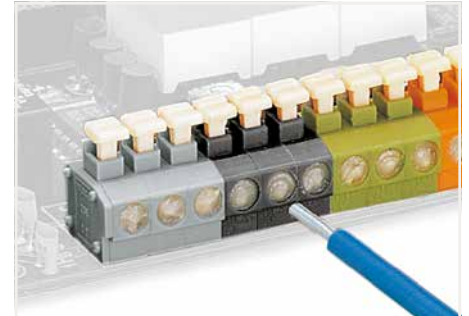
① Aluminum conductors per IEC 61545 standard, Class B, "Alloy 1370" with 90 ... 180 N/mm² tensile strength and 1 ... 4% elongation

Standard values: 90 ... 180 MPa tensile strength, 1 ... 4% elongation (per EN 615.4.1)



WAGO Lighting Connectors

Push nozzle of the "Alu-Plus" syringe first into the circular entry and then into the square conductor entry hole of the WAGO Lighting Connector.



Press plunger down until the "Alu-Plus" has filled both entry holes.

Note: Not suitable for higher temperature applications!

Test and Measurement Devices

206 Series



Multi-Tester; digital multimeter with non-contact voltage tester

Item No.	Pack. Unit
206-810	1

Testboy; with integrated flashlight, non-contact voltage tester

Item No.	Pack. Unit
206-804	1



Multi-Tester features:

- Contact-less voltage test AC >100 V (optical and acoustical)
- Resistance measurement up to 20 MΩ
- Acoustical continuity test
- Diode test
- Data hold function
- Auto power-off function
- LED torch lamp function
- CAT IV 600 V
- TÜV/GS tested and approved
- IEC/EN 61010-1 (DIN VDE 0411)

A device that will reliably detect AC voltage in cables, sockets, fuses, switches, outlets and other installations. Testboy can detect the following:

- Live conductors
- Cable breaks
- Blown fuses (in cartridges or holders)
- Defective switches
- Defective lamps in strings of lights

Test and Measurement Devices

206 Series



Profi-LCD+; 2-pole voltage tester with LCD display;
removable 4 mm Ø test probes

	Item No.	Pack. Unit
	206-707	1



Profi-LED+; 2-pole voltage tester with LED display;
removable 4 mm Ø test probes

	Item No.	Pack. Unit
	206-706	1



Spare test probes; 4 mm Ø (2 pieces)

	Item No.	Pack. Unit
	206-808	25



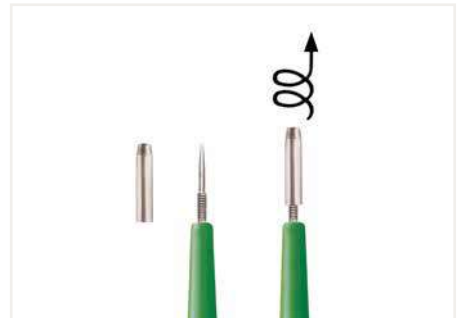
Additional Profi-LCD+ features:

- Automatic measurement range selection
- Single-pole phase testing AC >100 V
- Two-pole sequence testing (R and L)
- Continuity testing
- RDC/RCD testing (30 mA) via buttons
- One-hand operation for SCHUKO® and CEE sockets
- LED torch lamp function
- Automatic backlight
- Auto power-off function
- CAT IV 1000 V
- TÜV/GS tested and approved
- IEC/EN 61243-3 (DIN VDE 0682-401)



Additional Profi-LED+ features:

- Automatic measurement range selection
- Single-pole phase testing AC >100 V
- Two-pole sequence testing (R and L)
- Continuity testing
- RDC/RCD testing (30 mA) via buttons
- One-hand operation for SCHUKO® and CEE sockets
- LED torch lamp function
- CAT IV 1000 V
- TÜV/GS tested and approved
- IEC/EN 61243-3 (DIN VDE 0682-401)



Profi-LED+:

- Improved socket contact via 4 mm Ø test probes
- Removable test probes for small test ports (suitable for all WAGO Terminal Blocks)



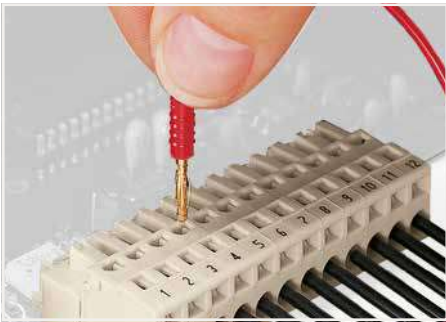
Test Plug and Test Pin



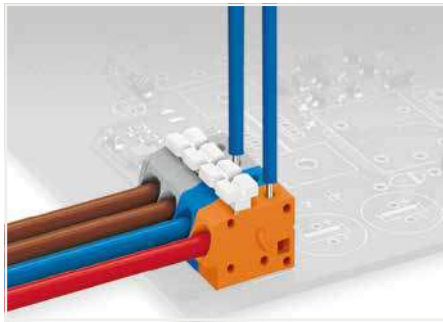
Test plug; with 500 mm cable; 2 mm Ø; max. 42 V		
Color	Item No.	Pack. Unit
● red	210-136	50



Test pin; with solder connection for test cable; 1 mm Ø		
	Item No.	Pack. Unit
	735-500	1



Testing via 2 mm Ø test plug.

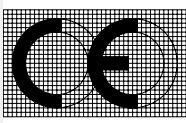

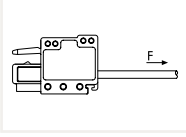









Testing via a 1 mm Ø test pin – touch contact.



Technical Section

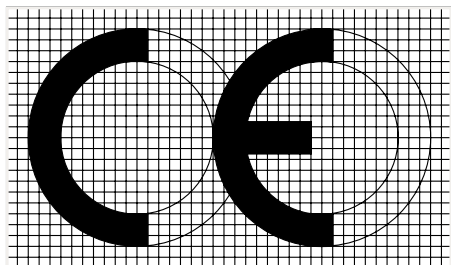
Technical Section

	Page
	890 892
	894 896 911 912
	914 915
	919
	920 920 922
	923 925 928
	932
	934
	935
	936

CE Marking and EC Directives

CE Conformity Marking

The CE conformity marking consists of the characters "CE" with the following script:



Communauté Européenne
(European Community)

WAGO Kontakttechnik GmbH & Co. KG products are developed, tested and marked in accordance with legally valid international standards and laws.

The CE mark is applied to products intended for the European domestic market; with it, manufacturers declare that the marked electrical equipment conforms with the applicable requirements set out in the Community harmonization legislation (EU Directives), which allows such equipment to carry this mark.

The original intention of this mark was to support the authorities in the EU member states in their market supervision, with the mark acting as a symbol of free movement of products within the EU. According to EC Directive 765/2008, a product can only be given the CE mark if the product requirements are defined in at least one appropriate EU directive. Examples of such directives are the Low Voltage Directive, the EMC Directive, the ATEX Directive, the Building Products Directive and the Machinery Directive. If more than one directive applies to a product, the product must comply with **all applicable directives**.

Only the basic requirements for achieving the defined aim of the directive are laid out in each respective directive. The individual technical details are specified according to the New Approach using lists with cross references to applicable standards (so-called harmonized standards).

1. Low Voltage Directive (LVD)

The safety of electrical equipment is guaranteed by the Low Voltage Directive (LVD). The LVD covers all electrical equipment operating with a voltage between 50 VAC and 1000 VAC and between 75 VDC and 1500 VDC.

Products falling within the scope of the Low Voltage Directive that are designed in such a way that they can be used in other electrical devices, and whose safety, for the most part, is dependant on how these components were built into the end product and what features the end product has, are defined as basic components in accordance with the Low Voltage Directive.

The LVD doesn't apply to basic components.

The RoHS Directive also applies to electrical equipment covered by the Low Voltage Directive. This directive regulates the use of hazardous substances in electrical devices and components, with the aim of reducing the quantity of problematic components in electrical waste. Details about the materials used by WAGO are available in our catalogs, on our product packaging and on our Web page.

2. EMC Directive

The EMC Directive stipulates that a product must meet the limits on radiated electromagnetic disturbance and also requires that a product must be immune to electromagnetic interference.

Electromagnetic passive components or components with no direct function, such as terminal blocks, resistors, diodes, capacitors, switching relays or cables (in the form of passive printed circuit boards) are not considered as apparatus within the meaning of the EMC Directive.

3. ATEX Directive on Explosion Protection

The ATEX Directive defines the rules for products (devices and protective systems) intended for use in hazardous locations. A number of products from WAGO are designed for use in hazardous areas.

Based on potential hazards, the ATEX Directive makes a distinction between three different equipment groups, of which Group II and III are subdivided into further zones. Suitability of WAGO products for the different groups and zones is outlined in the specific product documents (catalogs, Internet site, data sheets and product inserts).

These may be either devices that can be used as equipment in these types of areas, or components that are required for safe operation, but which do not fulfill a dedicated function. Such components include rail-mount terminal blocks for use in hazardous areas.

Products in both groups must comply with the ATEX Directive.

4. Radio Communications Directive

The Radio Communications Directive applies to all devices that properly transmit or receive radio waves for wireless communications and/or radio orientation. The basic safety requirements apply to the protection of health for humans and animals and to electrical safety in line with the Low Voltage Directive, but without the application of the voltage limit. In addition, the EMC protection goals of the EMC Directive must also be fulfilled and efficient use of radio frequencies ensured. WAGO products covered by the Radio Communications Directive indicate, in compliance with applicable laws, only the Radio Communication Directive in their EU Declaration of Conformity, as fulfillment of the Low Voltage Directive and of the EMC Directive is implicit in this declaration.

5. Construction Products Regulation

The Construction Products Regulation demands that structures be designed and constructed such that the safety of humans, property and animals is not endangered and that all applicable environmental protection requirements be considered. Here, building products are defined as products or construction sets which are produced to be built permanently into structures and which make a significant contribution to fulfilling the basic requirements for the structure.

In the unanimous opinion expressed by the German electrical industry, including WAGO Kontakttechnik GmbH & Co. KG, products used in general installation technology are not included among these types of building products and are therefore not covered by this directive.

6. Machinery Directive

The Machinery Directive applies to machines (complete or incomplete) which perform their functions by means other than direct human or animal work, or safety components for these types of machines.

Therefore, this directive usually does not apply to WAGO products.

The manufacturers of machines or systems are required by this directive to use safe products and components in their machines and systems. Directive-compliant production and safe operation is facilitated by the use of WAGO products, with their standard-compliant, up-to-date design.

Significance of CE Mark for WAGO Products

One, several or none of the EU Directives may apply to the various WAGO products. If none of the directives apply, the CE marking will not be affixed to the product, in line with applicable laws. Furthermore, a declaration of conformity must not be issued. All other products are provided with the CE mark – either directly on the product, on its packaging or in the documents included with the product – and a declaration of conformity is issued, or made accessible to the customer.

The data sheets of the technically sound products that, according to the regulations, are not CE marked will refer to the standards used in the development and type and manufacturing testing wherever possible.

IEC/EN Specifications

The following standards apply to the design and application of the terminal blocks and connectors contained in this catalog:

IEC 60364-1 HD 60364-1 VDE 0100-100 / Erection of power installations with nominal voltages up to 1000 V – Part 1: Fundamental principles, assessment of general characteristics, definitions	IEC 60079-7 EN 60079-7 VDE 0170-6 / Explosive atmospheres – Part 7: Equipment protection by increased safety "e"	IEC 61439-3 EN 61439-3 VDE 0660-600-3 /– Low-voltage switchgear assemblies – Part 3: Distribution boards intended to be operated by ordinary persons (DBO)
IEC 61140 EN 61140 VDE 0140-1 / Protection against electric shock – Common aspects for installation and equipment	IEC 60079-11 EN 60079-11 VDE 0170-7 / Harzardous areas – Part 11: Equipment protection by intrinsic safety "i"	IEC 61643-11 EN 61643-11 VDE 0675-6-11 / Low-voltage surge protective devices – Part 11: Surge protective devices connect-ed to low-voltage power systems – Requirements and test methods
IEC 60364-7-710 HD 60364-7-710 VDE 0100-710 – Part 7-710: Requirements for special instal-lations or locations – Medically used areas	IEC 60079-14 EN 60079-14 VDE 0165-1 / Harzardous areas – Part 14: Electrical installations design, se-lection and erection	IEC 60335-1 EN 60335-1 VDE 0700-1 / Safety of household and similar electrical appliances – Part 1: General requirements
IEC 60364-7-718 HD 60364-7-718 VDE 0100-718 – Part 7-718: Requirements for special instal-lations or locations – Communal facilities and workplaces	IEC 60079-15 EN 60079-15 VDE 0170-16 / Explosive atmospheres – Part 15: Equipment protection by type of protection "n"	IEC 60598-1 EN 60598-1 VDE 0711-1 / Lighting fixtures – Part 1: General requirements and tests
EN 50110-1 VDE 0105-1 / Operation of electrical installations – Part 1: General requirements	IEC 60038 EN 60038 VDE 0175-1 / IEC CENELEC standard voltages	IEC 60715 EN 60715 /– Standardized mounting on rails for me-chanical support of electrical devices in switchgear and control-gear installations
IEC 60664-1 EN 60664-1 VDE 0110-1 / Insulation coordination for equipment within low-voltage systems – Part 1: Principles, requirements and tests	VDE 0298-4 / Use of cables and insulated conductors in power installations – Part 4: Recommended values for current carrying capacities of cables for fixed instal-lation and for flexible cables	IEC 60999-1 EN 60999-1 VDE 0609-1 / Connecting devices – Electrical copper conductors – Safety requirements for screw-type and screwless-type clamping units – Part 1: General requirements and particular requirements for clamping units for conduc-tors from 0.2 mm ² up to 35 mm ²
IEC 60204-1 EN 60204-1 VDE 0113-1 / Safety of machinery – Electrical equipment of machines – Part 1: General requirements	IEC 60112 EN 60112 VDE 0303-1 / Method for determining the comparative and the proof tracking indices of solid insula-tion materials	IEC 60999-2 EN 60999-2 VDE 0609-101 – Part 2: General requirements and particular requirements for clamping units for conduc-tors from 35 mm ² up to 300 mm ²
IEC 60079-0 EN 60079-0 VDE 0170-1 / Harzardous areas Part 0: Equipment – General requirements	IEC 60529 EN 60529 VDE 0470-1 / Degrees of protection provided by enclo-sures (IP Code) – Testing equipment and testing method	
	IEC 61439-1 EN 61439-1 VDE 0660-600-1 / Low-voltage switchgear and control-gear assemblies – Part 1: General rules	

IEC 60998-1 EN 60998-1 VDE 0613-1 / Connecting devices for low-voltage circuits for household and similar purposes – Part 1: General requirements	IEC 60947-7-4 EN 60947-7-4 VDE 0611-4 – Part 7-4: Ancillary equipment – PCB terminal blocks for copper conductors	IEC 60352-5 EN 60352-5 – Part 5: Press-in connections – General requirements Test methods and practical guidance
IEC 60998-2-1 EN 60998-2-1 VDE 0613-2-1 – Part 2-1: Particular requirements for connecting devices as separate entities with screw-type clamping units	IEC 61984 EN 61984 VDE 0627 / Connectors – Safety requirements and tests	IEC 60352-6 EN 60352-6 – Part 6: Insulation piercing connections – General requirements Test methods and practical guidance
IEC 60998-2-2 EN 60998-2-2 VDE 0613-2-2 – Part 2-2: Particular requirements for connecting devices as separate entities with screwless-type clamping units	IEC 60512-1 EN 60512-1 / Connectors for electronic equipment Equipment – Measurement and test procedures – Part 1: General	IEC 60352-7 EN 60352-7 – Part 7: Spring clamp connections – General requirements Test methods and practical guidance
IEC 60998-2-3 EN 60998-2-3 VDE 0613-2-3 – Part 2-3: Particular requirements for connecting devices as separate entities with insulation-piercing clamping units	IEC 60320-1 EN 60320-1 VDE 0625-1 / Appliance couplers for household and similar general purposes – Part 1: General requirements	
IEC 60947-1 EN 60947-1 VDE 0660-100 / Low-voltage switchgear and controlgear – Part 1: General rules	IEC 60352-1 EN 60352-1 / Solderless connections; – Part 1: Wrapped connections – General requirements Test methods and practical guidance	
IEC 60947-7-1 EN 60947-7-1 VDE 0611-1 – Part 7-1: Ancillary equipment Terminal blocks for copper conductors	IEC 60352-2 EN 60352-2 / Solderless connections; – Part 2: Crimped connections – General requirements Test methods and practical guidance	
IEC 60947-7-2 EN 60947-7-2 VDE 0611-3 – Part 7-2: Ancillary equipment Ground conductor terminal blocks for copper conductors	IEC 60352-3 EN 60352-3 – Part 3: Solderless accessible insulation displacement connections – General requirements Test methods and practical guidance	
IEC 60947-7-3 EN 60947-7-3 VDE 0611-6 – Part 7-3: Ancillary equipment Safety requirements for fuse terminal blocks	IEC 60352-4 EN 60352-4 – Part 4: Solderless non-accessible insulation displacement connections – General requirements Test methods and practical guidance	

Tests and Testing Procedures per IEC/EN Standards

Products such as connecting devices, rail-mount terminal blocks and connectors, etc., have their own product-specific test specifications. The following sections describe the most important tests and are limited to a description of the test procedures and an explanation of the test purpose. The data shown (e.g., voltages, temperatures, forces) only serve as illustration and may differ depending on the test.

Mechanical Tests

All WAGO products meet requirements for the following mechanical tests:

• Termination Requirements

Conductor Termination

Two WAGO connection systems are proven in the field of Spring Pressure Connection Technology:

The **PUSH WIRE® connection** for applications requiring solid conductors (e.g., for lighting and building wiring, telecommunications, house communication or alarm systems).

Conductor range:

0.2 ... 4 mm² / 24 ... 12 AWG

The **universal CAGE CLAMP® spring pressure connection system** for solid, stranded and fine-stranded conductors, designed for a variety of industrial, electrical and electronic applications (e.g., fine-stranded conductors in the elevator industry, in power stations, in the chemical and automotive industry, and aboard ships).

Conductor range:

0.08 ... 35 mm² (28 ... 2 AWG)

The **Push-in CAGE CLAMP® connection** takes universal CAGE CLAMP® connections further by allowing the termination of 0.2 ... 16 mm² (24 ... 6 AWG) solid, stranded and fine-stranded conductors (25 mm²/4 AWG only "f-st") and offering all the benefits and safety of the original CAGE CLAMP®. Furthermore, the Push-in CAGE CLAMP® connection technology allows solid, stranded and fine-stranded conductors with ferrules from 0.5 to 16 mm² (20 ... 6 AWG) to be terminated by simply pushing them in.

The conductor entry hole is perfectly suited for the insulation diameter of the rated conductor cross section, thus providing good conductor guidance.

This is particularly important for vibration-prone applications.

Fine-stranded conductors of small or very small size are highly flexible, and deform when pushed against the conductor stop in terminal blocks. As a result, the conductor insulation – not the copper conductor – may be clamped, causing intermittent contact or no contact at all.

In order to prevent conductor insulation from being inserted into the clamp, insulation stops are available for WAGO rail-mount terminal blocks up to 4 mm² (12 AWG), even providing protection for 0.08 mm² (28 AWG) conductors (see Section 5).

Rated Cross Sections and Connectable Conductors

I. Per IEC 60999-1 / EN 60999-1 / VDE 0609-1, Table 1:

Rated Cross Section	Theoretical Largest Conductor Diameter							Connectable Conductor	
	Metric			AWG				Rigid	Flexible
	Rigid		Flexible	Rigid		Flexible			
	Solid	Stranded			^{b)} Solid	^{b)} Class B Stranded	^{c)} Class I, K, M Stranded		
mm ²	mm	mm	mm	Conductor Size	mm	mm	mm		
0.2	0.51	0.53	0.61	24	0.54	0.61	0.64		
0.34	0.63	0.66	0.8	22	0.68	0.71	0.8		
0.5	0.9	1.1	1.1	20	0.85	0.97	1.02		
0.75	1	1.2	1.3	18	1.07	1.23	1.28		
1	1.2	1.4	1.5	–	–	–	–		To be defined in the corresponding product standard
1.5	1.5	1.7	1.8	16	1.35	1.55	1.6		
2.5	1.9	2.2	2.3 ^{a)}	14	1.71	1.95	2.08		
4	2.4	2.7	2.9 ^{a)}	12	2.15	2.45	2.7		
6	2.9	3.3	3.9 ^{a)}	10	2.72	3.09	3.36		
10	3.7	4.2	5.1	8	3.34	3.89	4.32		
16	4.6	5.3	6.3	6	4.32	4.91	5.73		
25	–	6.6	7.8	4	5.45	6.18	7.26		
35	–	7.9	9.2	2	6.87	7.78	9.02		

NOTE: The diameters of the largest rigid and flexible conductors are based on Table 1 of IEC 60228 A/IEC 60344 and on ASTM B172-71 [4], IECA Publication S-19-81 [5], IECA Publication S-66-524 [6], as well as IECA Publication S-66-516 [7] for AWG conductors.

^{a)} Dimensions for Class 5 flexible conductors only (IEC 60228 A)

^{b)} Nominal diameter +5%

^{c)} Largest diameter for conductors of classes I, K, M + 5%

In practical use, the conductor cross sections are approximately 5% below the values stated in the table!

The IEC 60999-1/EN 60999-1/VDE 0609-1 Specification (Section 7.1) requires that:

Clamping units must be able to connect unprepared conductors.

Under normal operating conditions, direct clamping (i.e., directly connecting a conductor to the terminal block's current bar) provides optimal contact quality, because all risk factors arising from anti-splaying methods are prevented.

Occasionally, conductor anti-splaying protection may be required, including various methods (see illustrations below).

Special requirements apply only in special application areas exposed to extremely corrosive atmospheres.

In this case, we recommend using either solid copper conductors or fine-stranded copper conductors with properly crimped, tin-coated copper ferrules or copper pin terminals.

As with solid copper conductors, the fine strands are crimped to a dense inner core. This prevents ingress of aggressive atmospheres (depending on the ppm concentration), which can diffuse into the conductor bundle along the individual strands and deposit between individual strands and the clamping point.

One Conductor per Clamping Unit

A number of DIN VDE, EN, IEC directives mandate or recommend that only one conductor must be connected per clamping unit.

In accordance with DIN VDE 0611, Part 4, 02.91, Section 3.1.9, multi-level distribution rail-mount terminal blocks must be dimensioned so that a single (solid, stranded or fine-stranded) conductor of the nominal cross section can be connected at each terminal point.

Other VDE, EN and IEC specifications also recommend the connection of only one conductor per clamping unit, unless the clamping unit is specifically tested and approved for the connection of several conductors, for example:

VDE 0609, Part 1, 12.00 / EN 60999-1:2000 / IEC 60999-1:1999, Section 7.1
VDE 0660, Part 600, 06.12 / EN 61439-1:2011 / IEC 61439-1, Section 8.6.3
VDE 0113, Part 1, 06.07 / EN 60204-1:2006 / IEC 60204-1:2016, Section 13.1.1.

One conductor per clamping unit is therefore recommended to meet the safety requirements of these relevant specifications. This WAGO principle is the basis for a number of other technical and economic advantages:

- Each conductor may be terminated or removed without affecting previously connected conductors.
- Where re-wiring is required, only the conductor to be changed is removed from the clamping point, all other conductors remain safely clamped.
- Each conductor is clamped independently.
- Any conductor size combination can be connected.

WAGO provides 2-conductor terminal blocks and connectors to increase the number of clamping units.

II. Per IEC 60999-2, Table 1:

Rated Cross-Section	Theoretical Largest Conductor Diameter					Connectable Conductor	
	Metric		AWG/kcmil			Rigid	Flexible
	Rigid Stranded	Fine-Stranded ^{a)}	Gauge	Rigid Stranded	Fine-Stranded		
mm ²	mm	mm		mm	mm		
50	9.1	11	1/0	9.64	12.08	To be defined in the corresponding product standard	
70	11	13.1	2/0	11.17	13.54		
95	12.9	15.1	3/0	12.54	15.33		
–	–	–	4/0	14.08	17.22		
120	14.5	17	250	15.34	19.01		
150	16.2	19	300	16.8	20.48		
185	18	21	350	18.16	22.05		
–	–	–	400	19.42	24.05		
240	20.6	24	500	21.68	26.57		
300	23.1	27	600	23.82	30.03		

Dimensions for Class 5 flexible conductors only (IEC 60228 A)

NOTE: The diameters of the largest rigid and flexible conductors are based on Table 1 and Table 3 of IEC 3 A/IEC 60228 and on ASTM B172-71 [1], IECA Publication S-19-81 [2], IECA Publication S-66-524 [3], as well as IECA Publication S-66-516 [7] for AWG conductors.



Tip-bonded conductor



Tin-plated copper ferrule (gas-tight crimped)



Ultrasonically bonded conductor



Crimped pin terminal (gas-tight), preferably made of copper with a tin-plated surface

Anti-splaying methods require a terminal block one size larger than the nominal cross section of the conductor to be terminated. Ferruled conductor cross sections specified for individual products are based on WAGO's Variocrimp square crimping technology. Gas-tight, crimped twin ferrules may be used, provided the ferrule is inserted all the way into the clamping unit and that there is a sufficient clearance and creepage distance between adjacent potentials.

Tests and Testing Procedures per IEC/EN Standards (continued)

Mechanical Tests (continued)

• Pull-Out Test per IEC/EN 60947-7-1, IEC/EN 60998-2-2, IEC/EN 60999-1

The pull-out test simulates the mechanical stress on the clamping unit when, for example, the installer pushes the conductor aside to better access/operate the adjacent clamping unit, or verifies if the conductor is connected properly by briefly pulling on it.

During the test, a pulling force is applied without jerking, for one minute, to the connected conductor. The pulling force is selected according to the cross-sectional area. The larger the cross section of the conductor, the higher the pull-out force that is selected. For example, the pulling force is 40 N for a conductor having a cross section of 1.5 mm² (16 AWG) and 100 N for a conductor with a cross section of 16 mm² (6 AWG). The values specified by these standards are the same for both screw clamp and spring clamp terminal blocks. During the test, the conductor must neither slip out of the clamping unit, nor break near the clamping unit.

Conductor Pull-Out Forces

The clamping units of screwless terminal blocks must withstand the pull-out forces as follows:

IEC 60947-1/EN 60947-1/VDE 0660-100, Table 5:

Low-voltage switchgear and controlgear, general rules

IEC 60947-7-1/EN 60947-7-1/

VDE 0611-1, rail-mount terminal blocks for copper conductors

IEC 60998-2-1/EN 60998-2-1/

VDE 0613-2-1, Table 104:

IEC 60998-2-2/ EN 60998-2-2

VDE 0613-2-2, Table 103:

Connecting devices for low-voltage circuits for household and similar purposes

Particular requirements for connecting devices as separate entities with screw-clamp or screwless terminal blocks.

IEC 60999-1/EN 60999-1/VDE 0609-1, Table 3:

IEC 60999-2/EN 60999-2/VDE 0609-101, Table 2:

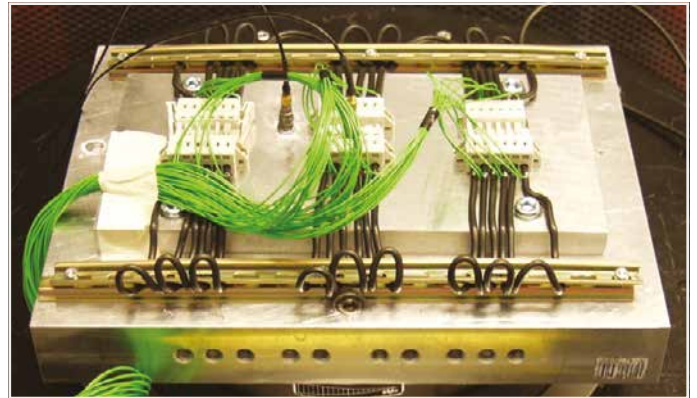
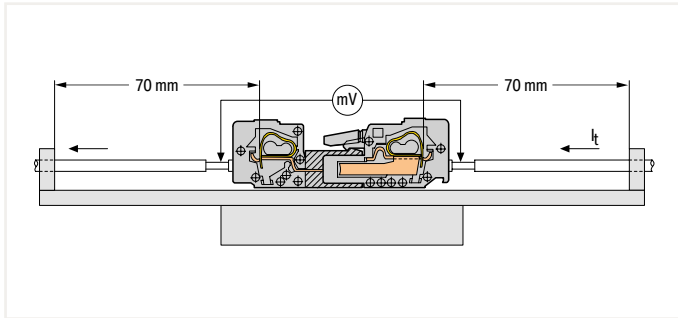
Safety requirements for screw-clamp and screwless clamping units for electrical copper conductors

Rated Cross-Section		Pull-Out Forces per IEC/EN		
mm ²	AWG/kcmil	60947-7-1 N	60998-2-2 N	60999-1/-2 N
0.2	24	10	10	10
0.34	22	15	15	15
0.5	20	20	20	20
0.75	18	30	30	30
1	–	35	35	35
1.5	16	40	40	40
2.5	14	50	50	50
4	12	60	60	60
6	10	80	80	80
10	8	90	90	90
16	6	100	100	100
25	4	135	135	135
–	3	156		
35	2	190	190	190
–	1	236		
50	1/0	236		236
70	2/0	285		285
95	3/0	351		351
–	4/0	427		427
120	250	427		427
150	300	427		427
185	350	503		503
–	400	503		503
240	500	578		578
300	600	578		578

• Shock/Vibration Test per IEC/EN 60068-2-6; DNV GL, LR (Marine Applications); IEC/EN 61373 (Railway Applications)

The vibration test determines whether vibrations, such as those produced in the vicinity of machines or in vehicles, will permanently affect the electrical connection, or if contact breaks will occur during vibrations. Using a vibration table, the test specimen is subjected to vibration in each of the X, Y and Z axes (see pictures). The amplitude, acceleration and in particular the frequency of the vibration must vary during the test.

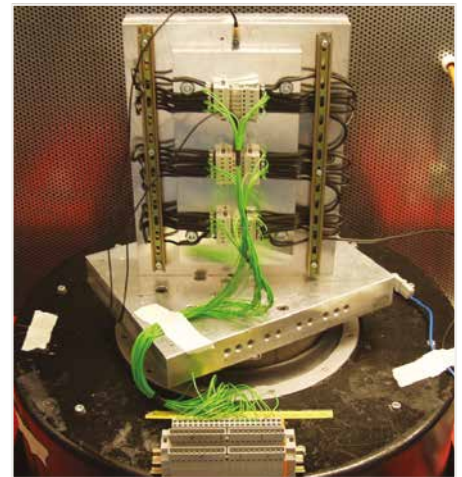
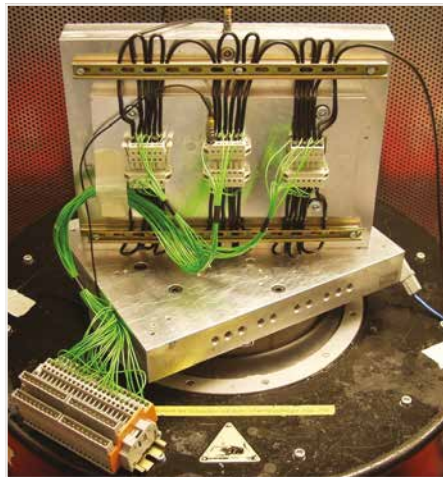
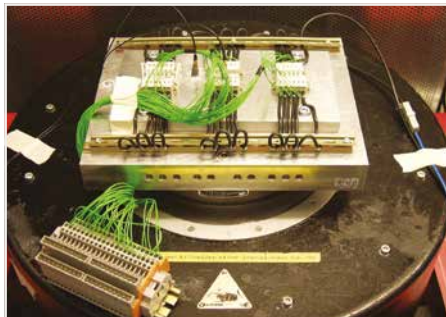
The "open length" of the conductor up to the point where the conductor is attached in the application must be kept as short as possible (length = 70 mm in this example).



1st Axis

2nd Axis

3rd Axis



The exact test procedure may vary considerably, depending on how the product will be used.

Application Examples per IEC/EN 60068-2-6	Associated Test Levels	
Devices attached to heavy, rotating machines	1 ... 35 Hz,	50 m/s ² (5 g) or 100 m/s ² (10 g)
Devices designed for use in large-scale power plants and general industrial applications	10 ... 55 Hz,	20 m/s ² (2 g) 50 m/s ² (5 g)
Devices designed for use in large-scale power plants and general industrial applications if it has been determined that detectable vibration components greater than 55 Hz exist	10 ... 150 Hz,	20 m/s ² (2 g) 50 m/s ² (5 g)

Tests and Testing Procedures per IEC/EN Standards (continued)

Mechanical Tests (continued)

Beyond these standard procedures, each market segment performs additional testing. Examples include railway authorities testing rolling electrical equipment, or the testing performed multiple marine agencies (e.g., DNV GL Group, Lloyd's Register of Shipping). Though the requirements of such testing procedures are particularly demanding, test arrangements are identical for all of them. During vibrations, possible contact breaks are monitored on an oscilloscope. Voltage drop is measured before and after the test to detect permanent failures, i.e., checking if electrical resistance at the clamping unit has not increased beyond the permissible limit. The smaller this value is, the smaller the contact resistance of the clamping unit.

The test is passed if:

- the conductor has neither slipped out of the terminal block nor been damaged,
- the maximum permissible voltage drop has not been exceeded
- and neither contact breaks have occurred nor a defined break time has been exceeded.

The test specimen must not be damaged in any way that might affect future use.

Since their inception, both CAGE CLAMP® and Push-in CAGE CLAMP® connections have been routinely tested for their resistance to shock/vibration in connection with approval tests.

Notes:

These test results are based solely on tests conducted under "laboratory conditions." Connector usage in actual applications must be evaluated by the user.

• Shock Test per IEC/EN 60068-2-27; IEC/EN 61373 (Railway Applications)

The shock test is similar to the vibration test except that, instead of continuous vibrations, single shocks are applied to the specimen. Shock tests are usually performed with an acceleration of 20g, for example, over a period of 11 ms. Tests for special requirements often call for much higher values.

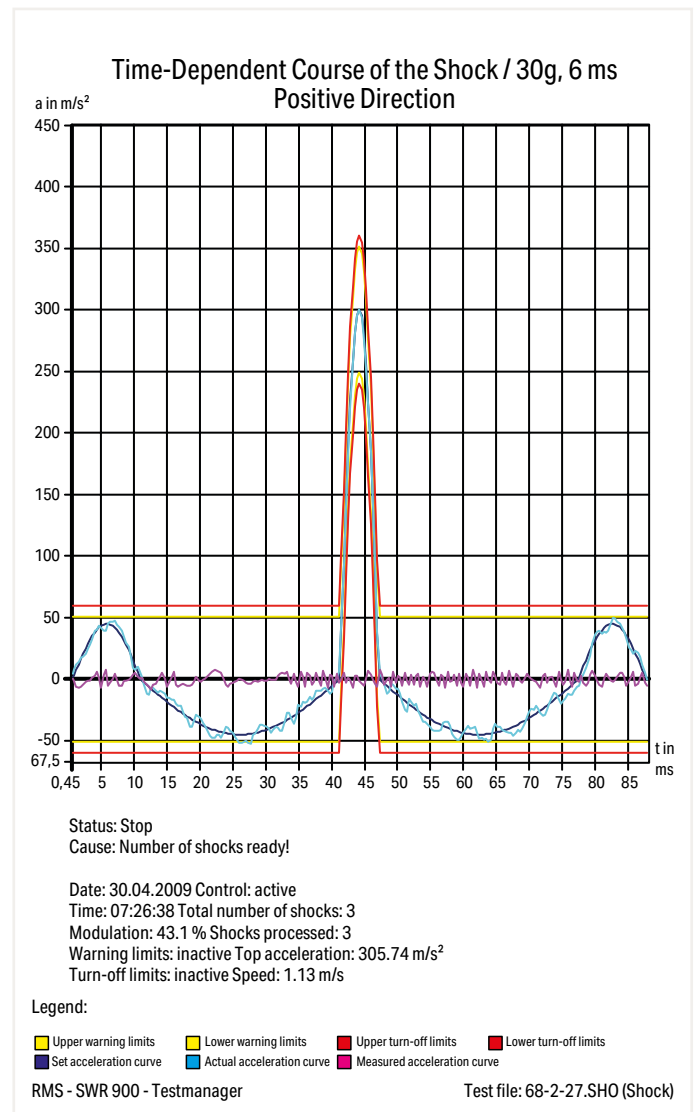
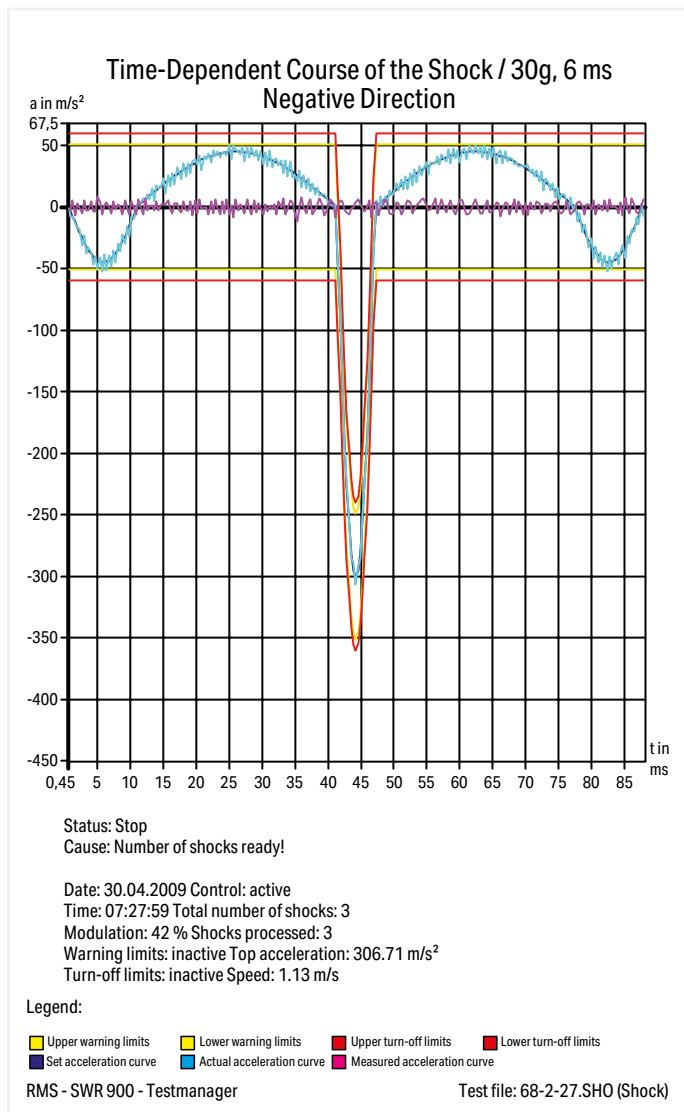
Like the vibration tests, shock tests are primarily used to test the voltage drop variation or contact breaks, etc.

Example: Shock requirement

per IEC/EN 60068-2-27 (half-sine shock)

30g acceleration, 6 ms duration

Shock direction: 3 axes (3 shocks each in positive and negative direction)



Tests and Testing Procedures per IEC/EN Standards (continued)

Electrical Tests

All WAGO products meet requirements for the following electrical tests:

- Temperature-Rise Test per IEC/EN 61984, IEC/EN 60947-7-4, IEC/EN 60947-7-1, IEC/EN 60998-1

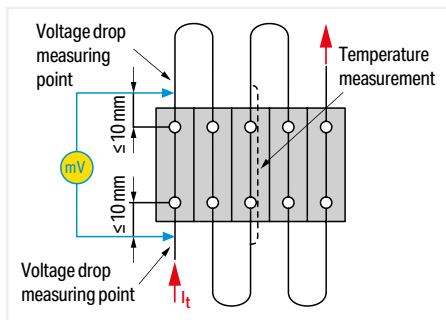
The temperature-rise test examines the clamping unit – including the surrounding insulation – at rated current, over-current and short-circuit current levels.

Unless otherwise specified in the related equipment specification, e.g., by specifying the nominal currents of the equipment, terminal blocks and connectors are tested with current loads as specified in the respective construction specification.

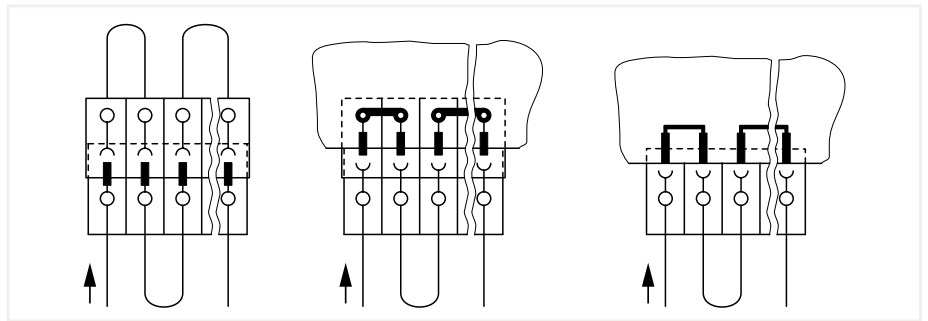
For rail-mount terminal blocks complying with IEC 60947-7-1/EN 60947-7-1/VDE 0611-1, or terminal blocks complying with IEC 60998-1/EN 60998-1/VDE 0613-1, the temperature rise must not exceed 45 Kelvin.

Connectors and PCB terminal blocks must withstand the upper and lower values of the temperature range as specified in the detail or manufacturer’s specification.

The sum of the surrounding air temperature and the temperature rise of a connector or PCB terminal strip must not exceed the upper temperature limit.



Test arrangement: "Temperature-Rise Test"



Test arrangement: "Temperature-Rise Test" per IEC/EN 61984

Rated Cross-Section	Test Current per IEC/EN		Conductor Size	Test Current per IEC/EN
	60947-7-1 Table 4	60998-1 Table 2		
mm ²	A	A	AWG/kcmil	A
0.2	4	4	24	4
0.34	5	5	22	6
0.5	6	6	20	8
0.75	9	9	18	10
1	13.5	13.5	-	-
1.5	17.5	17.5	16	16
2.5	24	24	14	22
4	32	32	12	29
6	41	41	10	38
10	57	57	8	50
16	76	76	6	67
25	101	101	4	90
35	125	125	2	121
-	-	-	1	139
50	150	-	1/0	162
70	192	-	2/0	185
95	232	-	3/0	217
-	-	-	4/0	242
120	269	-	250 kcmil	271
150	309	-	300 kcmil	309
185	353	-	350 kcmil	353
240	415	-	500 kcmil	415
300	520	-	600 kcmil	520

- Current-Carrying Capacity Curve (Derating Curve) per EN 60512-5-2

Both the design requirements (e.g., dimensions) and the current-carrying capacity of a connector must be checked by the user when selecting connectors.

This information depends on the following factors: conductor size, surrounding air temperature, number of simultaneously loaded poles, internal resistance of the connector, PCB layout, width and thickness of the printed circuits and connector materials.

A current-carrying capacity curve (basic curve) is determined based on the EN 60512-5-2 standard, accounting for the upper temperature limit.

The relationship between current, surrounding air temperature and temperature rise up to the connector's upper temperature limit is illustrated via current-carrying capacity curve (derating curve, reduction factor: 0.8).

The connector must only be operated up to this temperature limit (sum of the self-generated heat and the surrounding air temperature) without being damaged or destroyed during operation.

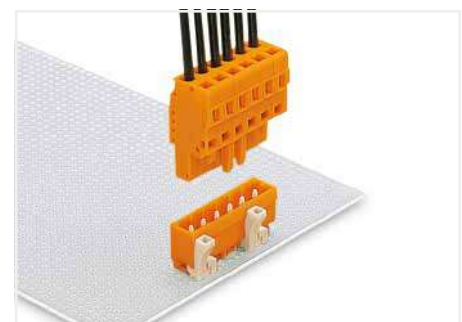
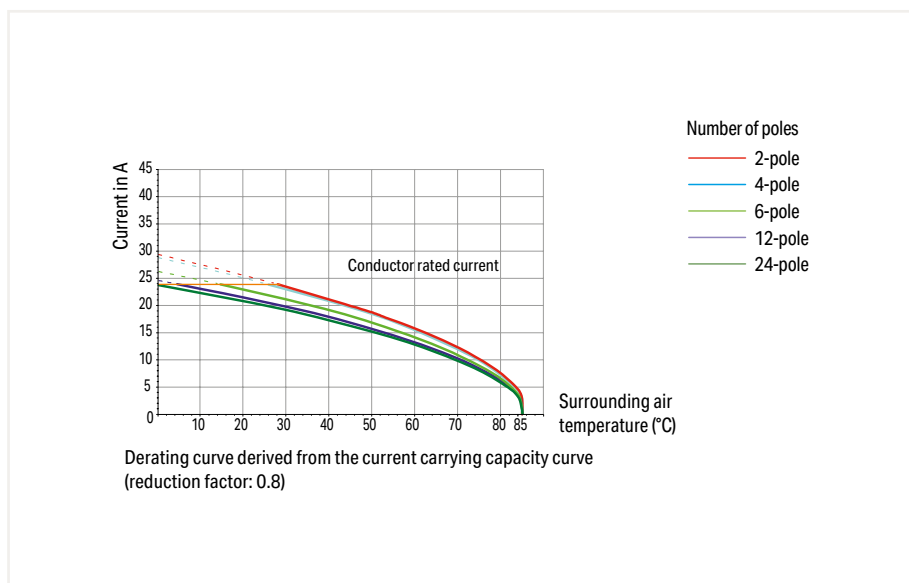
The nominal current figures given for the WAGO PCB Connectors are based on the maximum number of poles, the maximum conductor cross section and a maximum temperature rise of 45 K.

Note: Current-carrying capacity curves merely document the self-generated heat of the connectors and terminal blocks under defined test conditions (conductor length, commoning of solder pins).

Usability of the components in actual applications must be investigated by the user.

Functioning of a current-carrying capacity curve (derating curve) per EN 60512-5-2 is shown by an application using a derating curve for the **MULTI CONNECTION SYSTEM**:

This application requires each pole of a 4-pole connector be subjected to a load of 20 A. Based on the derating curve determined for this pole number with a conductor cross section of 2.5 mm², it has been determined the maximum surrounding air temperature is 39°C (102.2°F). The current must be reduced at higher surrounding air temperatures, e.g., to 11 A at an surrounding air temperature of 70°C (158°F).



Male header with straight solder pins
Female connector with CAGE CLAMP®

The non-reduced current-carrying capacity curves (basic curves, reduction factor: 1) can be used when selecting WAGO's PCB terminal blocks!

The nominal current values given are based on a 4-pole PCB terminal strip with a temperature rise of 45 K.



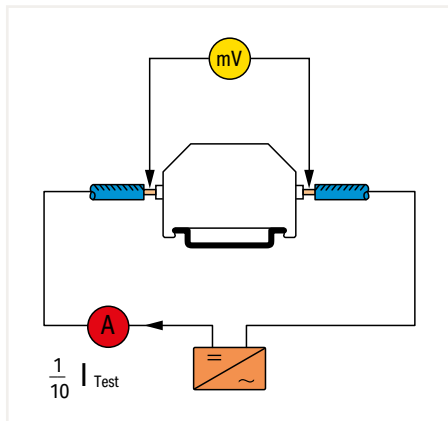
Example: 4-pole PCB terminal strip (2706 Series)

Tests and Testing Procedures per IEC/EN Standards (continued)

Electrical Tests (continued)

- Voltage Drop Test per IEC/EN 60947-7-1, IEC/EN 60999-1

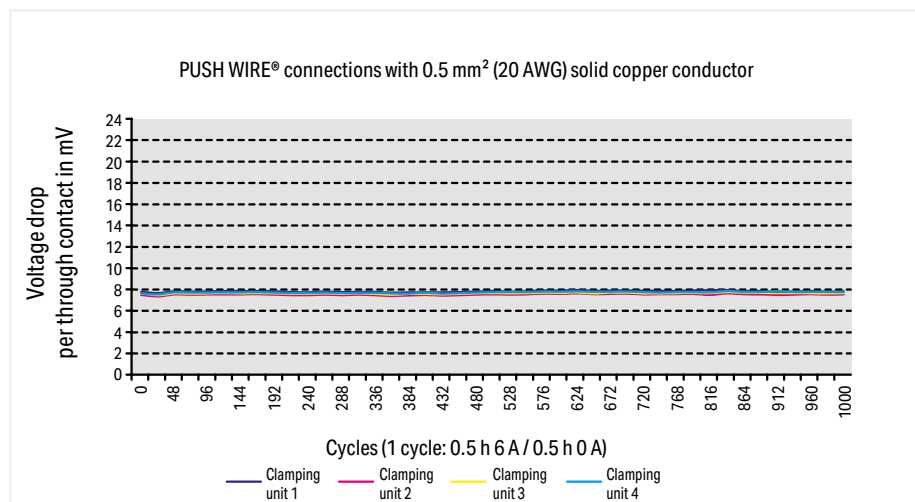
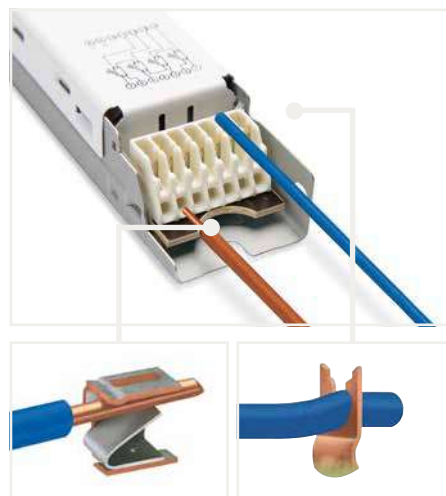
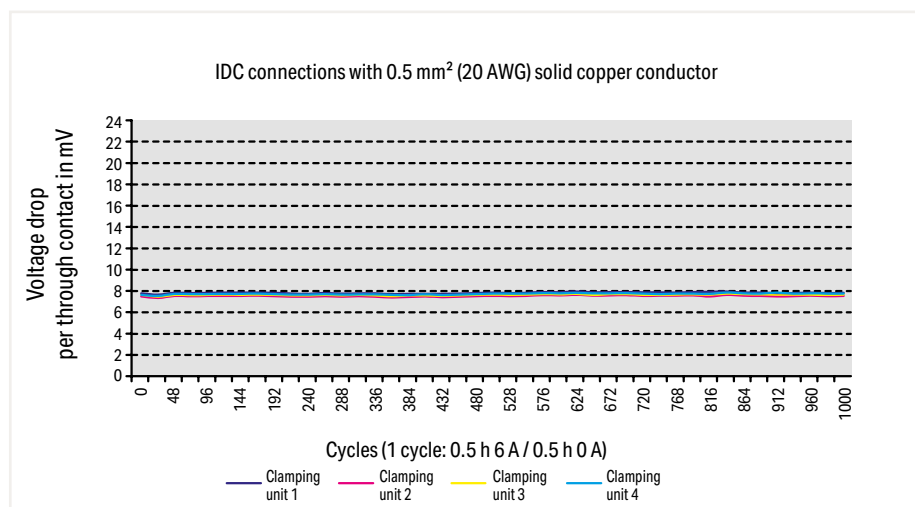
The voltage drop test evaluates clamping point quality under stress such as vibration, temperature change, industrial climate and salt spray, in order to verify that the contact point is gas-tight.



Test arrangement: "Voltage Drop Test"

Example: Current load cycling test result for Combi PCB terminal blocks with IDC and PUSH WIRE® connections

Voltage drop variation over longer periods under current load cycling conditions is shown for 251-3xx Combi PCB Terminal Blocks using solid copper conductors. The diagram shows that the voltage drop is constant, far beyond the 192 cycles required in IEC/EN 60998-2-2.



The voltage drop was determined at the rated current.

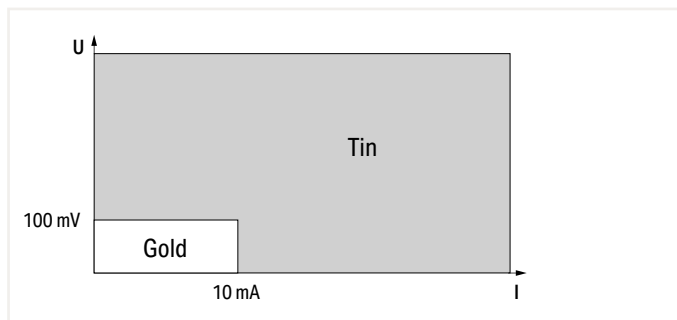
• Minimum Current / Specialty Connector Applications

The contact surfaces of WAGO's connectors are tin-plated. This surface exhibits excellent conductivity, along with outstanding protection against corrosion. However, during insertion, the contacts will penetrate any contamination that may have settled on this pure tin coating, leading to low contact resistance.

The following information regarding proper selection of suitable WAGO components should be considered for applications in which connectors are used with minimal current and voltage levels and under harsh conditions, involving, for example, temperature, aggressive gases, vibration and shock.

Signal corruption may occur in applications with minimal current and voltage levels under the special conditions cited above. In such cases, we recommend using gold-plated contacts. Here, the user must always examine the suitability of the connectors for the application at hand.

The diagram below is based on practical experience.



WAGO also offers connectors with gold-plated contacts upon request.

Tests and Testing Procedures per IEC/EN Standards (continued)

Electrical Tests (continued)

• Insulation Parameters per IEC/EN 60664-1

Clearances and Creepage Distances

The following generally applies:

The equipment specification contains data for the measurement of clearances and creepage distances, or refers to the data contained in the new revised edition of the basic standard DIN EN 60664-1/VDE 0110-1. This standard contains new clearances and creepage distances in compliance with insulation coordination requirements. That is, the insulation parameters of equipment are assigned to:

- the anticipated surge voltages
- the parameters of the protection device against impulse voltage
- the anticipated environmental conditions and the protection measures against pollution.

This standard is based on IEC 60604-1.

Overvoltage Categories for Electrical Equipment:

A specific overvoltage category must be defined on the basis of the following, general description:

- Equipment in **overvoltage category I** is intended to be connected to the fixed electrical installations of buildings. Protective means are taken outside the equipment – either in the fixed installation or between the fixed installation and the equipment – to limit transient overvoltages to the specific level.
- Equipment in **overvoltage category II** is to be connected to the fixed electrical installations of buildings.

Note: Examples of such equipment are household appliances, portable tools and similar loads.

- Equipment in **overvoltage category III** is part of the fixed electrical installations and other equipment where a higher degree of availability is expected.

Note: Examples of such equipment are distribution boards, circuit breakers, wiring systems (IEV 826-16-08, including cables, bus bars, junction boxes, switches, socket outlets) in the fixed installation and equipment for industrial use and other equipment, e.g., stationary motors with permanent connection to the fixed installation.

- Equipment in **overvoltage category IV** is for use in or near the feed-in of electrical building installations upstream of the main distribution board in the direction of the network.

Note: Examples include electricity meters, primary overcurrent protection devices and ripple control units.

Clearances, Rated Surge Voltages, Overvoltage Categories, Pollution Degrees

Surge voltages (Table 1) are a decisive factor in determining clearances.

The basis forms the **overvoltage category**, i.e., the allocation of the equipment to the expected overvoltage, and the **conductor-ground voltage** derived from the nominal mains voltage in installations with a grounded Y (star) point.

In ungrounded installations, or installations where the conductor is not grounded, the voltage between conductors is applicable in the same way as conductor voltage to ground.

The rated surge voltage must be selected from Table F.1 corresponding to the overvoltage category specified and to the rated voltage of the equipment.

Table F.1 – Rated Surge Voltage for Equipment Energized Directly from the Low-Voltage Mains (DIN EN 60664-1/VDE 0110-1)

Voltage Curve: 1.2/50 μ s per IEC 60060-1/VDE 0432-1

Nominal voltage of the power supply system ¹⁾ (mains) per IEC 60038 ²⁾		Conductor-to-neutral voltage, derived from the nominal AC or DC voltage up to and including: V	Rated surge voltage ²⁾ Overvoltage category ⁴⁾			
Three-phase V	Single-phase V		I V	II V	III V	IV V
		50	330	500	800	1500
		100	500	800	1500	2500
	120 ... 240	150 ⁵⁾	800	1500	2500	4000
230 / 400	277 / 480	300	1500	2500	4000	6000
400	690	600	2500	4000	6000	8000
1000		1000	4000	6000	8000	12000

¹⁾ See Annex B for application to existing different low-voltage mains and their nominal voltages.

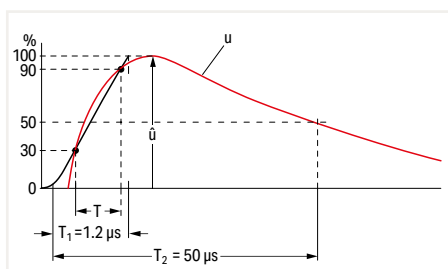
²⁾ Equipment with these rated impulse voltage levels can be used in installations complying with IEC 60364-4-443.

³⁾ The / mark indicates a 3-phase, 4-conductor system. The lower value is the conductor-to-neutral voltage, while the higher value is the conductor-to-conductor voltage. Where only one value is indicated, it refers to 3-phase, 3-conductor systems and specifies the conductor-to-conductor voltage.

⁴⁾ See 4.3.3.2.2 for an explanation of the overvoltage categories.

⁵⁾ The nominal voltages for single-phase systems in Japan are 100 V or 100 ... 200 V. The value for the rated impulse voltage is, however, derived from the voltage gaps conductor-to-neutral for a voltage level of 150 V (see Annex B).

The nominal supply voltage and the corresponding rated impulse voltage values apply for grounded and ungrounded circuits.



Voltage pulse: 1.2/50 μ s per EN 60060-1/VDE 0432-1

Pollution Degrees

Pollution factors are all solid, liquid or gaseous foreign matter which may reduce the dielectric strength or the specific surface resistance. Factors are divided into four classes based on expected environmental conditions:

		Examples of pollution degrees for assigned areas:
Pollution degree 1:	No pollution, or only dry, non-conductive pollution occurs. Pollution has no influence.	Open, unprotected insulated equipment in air-conditioned or clean, dry rooms
Pollution degree 2:	Only non-conductive pollution occurs. Occasional, temporary conductivity caused by condensation can also be expected.	Open, unprotected insulated equipment in occupied areas, shops, laboratories, mechanical workshops and medical rooms.
Pollution degree 3:	Conductive pollution occurs, or dry, non-conductive pollution occurs which will become conductive due to condensation.	Open, unprotected insulated equipment in industrial, business and farming areas (e.g., unheated rooms, workshops and boiler rooms)
Pollution degree 4:	The pollution generates persistent conductivity caused by conductive dust, rain or wet conditions.	Open, unprotected insulated equipment for outdoor use

Dimensioning Clearances

(DIN EN 60664-1/VDE 0110-1, Table F.2) Select the minimum clearances in accordance with the rated surge voltages and pollution degrees. To maximize the operating life of the equipment, do not go below these minimum clearances.

Table F.2 contains a list of information for Case A, the inhomogeneous field and for Case B, the homogeneous field. This involves an electric field with essentially constant (Case B) or non-constant (Case A) voltage gradients between the electrodes. **Equipment with a clearance that is dimensioned per Case A, in other words rated for the most unfavorable case, requires no verification by the impulse voltage test.** Equipment with a clearance that is dimensioned per Case B, or between A and B, requires verification by the impulse voltage test.

The clearances shown in Table F.2 are applicable for an installation height of up to 2000 m above sea level.

Values for clearances above 2000 m must be multiplied by a high correction factor in accordance with Table A.2.

Table F.2 – Clearances to Withstand Transient Overvoltages
DIN EN 60664-1/VDE 0110-1

Required Impulse Withstand Voltage ¹⁾⁵⁾	Minimum Clearances in Air up to 2000 m Above Sea Level					
	Case A Inhomogeneous Field (see 3.15)			Case B Homogeneous Field (see 3.14)		
	Pollution Degree ⁶⁾			Pollution Degree ⁶⁾		
	1 mm	2 mm	3 mm	1 mm	2 mm	3 mm
0.33 ²⁾	0.01	0.2 ³⁾⁴⁾	0.8 ⁴⁾	0.01	0.2 ³⁾⁴⁾	0.8 ⁴⁾
0.4	0.02			0.02		
0.5 ²⁾	0.04			0.04		
0.6	0.06			0.06		
0.8 ²⁾	0.10			0.10		
1	0.15			0.15		
1.2	0.25	0.25	0.2	0.3	0.3	0.3
1.5 ²⁾	0.5	0.5	0.3			
2	1	1	0.45			
2.5 ²⁾	1.5	1.5	1.5	0.6	0.6	0.6
3	2	2	2	0.8	0.8	0.8
4 ²⁾	3	3	3	1.2	1.2	1.2
5	4	4	4	1.5	1.5	1.5
6 ²⁾	5.5	5.5	5.5	2	2	2
8 ²⁾	8	8	8	3	3	3
10	11	11	11	3.5	3.5	3.5
12 ²⁾	14	14	14	4.5	4.5	4.5
15	18	18	18	5.5	5.5	5.5
20	25	25	25	8	8	8
25	33	33	33	10	10	10
30	40	40	40	12.5	12.5	12.5
40	60	60	60	17	17	17
50	75	75	75	22	22	22
60	90	90	90	27	27	27
80	130	130	130	35	35	35
100	170	170	170	45	45	45

¹⁾ This voltage is for:

- Functional insulation: the maximum impulse voltage expected to occur across the clearance (see 5.1.5)
- Basic insulation directly exposed to or significantly influenced by transient overvoltages from the low-voltage mains (see 4.3.3.3, 4.3.3.4.1 and 5.1.6): the rated impulse voltage for the equipment;
- Other basic insulation (see 4.3.3.4.2): the highest impulse voltage that can occur in the circuit
For reinforced insulation, see 5.1.6.

²⁾ Preferred values specified in 4.2.3

³⁾ For printed wiring material, the values for pollution degree 1 apply, except that the value must not be less than 0.04 mm, as specified in Table F.4.

⁴⁾ The minimum clearances given for pollution degree 2 and 3 are based on the reduced withstand characteristics of the associated creepage distance under humidity conditions (see IEC 60664-5).

⁵⁾ For parts or circuit within equipment subject to surge voltages based on 4.3.3.4.2, interpolation of values is allowed. However, standardization is achieved by using the preferred series of impulse voltage values based on 4.2.3.

⁶⁾ The dimensions for pollution degree 4 are as specified for pollution degree 3, except that the minimum clearance is 1.6 mm.

Tests and Testing Procedures per IEC/EN Standards (continued)

Electrical Tests (continued)



• Insulation Parameters per IEC/EN 60664-1 (continued)

Creepage Distances, Rated Voltages, Material Groups

Criteria for dimensioning creepage distances are the rated voltages, pollution degrees and material groups.

The pollution degrees specified for the clearances, and its quoted allocation to locations, is also applicable for creepage distances. Tables F.3 a and F.3 b of DIN EN 60664-1/ VDE 0110-1 contain the rated voltages that have to be considered for dimensioning the minimum creepage distances.

Table F.3a – Single-Phase, 3- or 2-Conductor, AC or DC Systems

Nominal Voltage of the Power Supply System (Mains)*	Voltages for Table F.4	
	For insulation conductor-to-conductor ¹⁾	For insulation conductor-to-ground ¹⁾
	All systems 	Three-conductor systems, center-point grounded 
V	V	V
12.5	12.5	
24 25	25	
30	32	
42 48 50**	50	
60	63	
30 to 60	63	32
100**	100	
110 120	125	
150**	160	
200	200	
110 to 200	200	100
220	250	
110 to 220 120 to 240	250	
300**	320	
220 to 440	500	250
600**	630	
480 to 960	1000	500
1000**	1000	

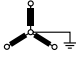
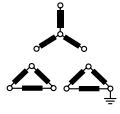
¹⁾ Conductor-to-ground insulation level for non-grounded or impedance-grounded systems equals that for conductor-to-conductor, as the operating voltage to ground of any conductor can, in practice, approach full conductor-to-conductor voltage. This is because the actual voltage to ground is determined by the insulation resistance and capacitive reactance of each conductor to ground; thus, low (but acceptable) insulation resistance of one conductor can in effect ground it and raise the other two to full conductor-to-conductor voltage to ground.

*For the relationship to rated voltage, see 4.3.2.

**These values correspond to the values given in Table F.1.

Altitude m	Standard Air Pressure (in kPa)	Multiplier for Clearances
2000	80	1
3000	70	1.14
4000	62	1.29
5000	54	1.48
6000	47	1.7
7000	41	1.95
8000	35.5	2.25
9000	30.5	2.62
10000	26.5	3.02
15000	12	6.67
20000	5.5	14.5

Table F.3b – Single-Phase, 4- or 3-Conductor AC Systems

Nominal Voltage of the Power Supply System (Mains)*	Voltages for Table F.4		
	For insulation conductor-to-conductor ¹⁾	For insulation conductor-to-ground ¹⁾	
	All systems	Three-phase, 4-conductor systems with grounded neutral conductor ²⁾	Three-phase, 3-conductor systems, non-grounded ¹⁾ or grounded conductor
V	V		
V	V	V	V
60	63	32	63
110 120 127	125	80	125
150**	160		160
200	200		200
208	200	125	200
220 230 240	250	160	250
300**	320		320
380 400 415	400	250	400
440	500	250	500
480 500	500	320	500
575	630	400	630
600**	630		630
660 690	630	400	630
720 830	800	500	800
960	1000	630	1000
1000**	1000		1000

¹⁾ Conductor-to-ground insulation level for non-grounded or impedance-grounded systems equals that for conductor-to-conductor, as the operating voltage to ground of any conductor can, in practice, approach full conductor-to-conductor voltage. This is because the actual voltage to ground is determined by the insulation resistance and capacitive reactance of each conductor to ground; thus, low (but acceptable) insulation resistance of one conductor can in effect ground it and raise the other two to full conductor-to-conductor voltage to ground.

²⁾ For equipment used on both three-phase, 4-conductor and three-phase, 3-conductor systems, grounded and non-grounded, use only the values for 3-conductor systems.

*For the relationship to rated voltage, see 4.3.2.

**These values correspond to the values given in Table F.1.

Material Groups

Insulation materials are classified into four groups according to their Comparative Tracking Index (CTI) as follows:

Material Group I: $600 \leq \text{CTI}$

Material Group II: $400 \leq \text{CTI} < 600$

Material Group IIIa: $175 \leq \text{CTI} < 400$

Material Group IIIb: $100 \leq \text{CTI} < 175$

The CTI values above refer to values obtained in accordance with DIN EN 60664-1/ VDE 0110-1 on samples specially made for this purpose and tested with Solution A.

Tests and Testing Procedures per IEC/EN Standards (continued)

Electrical Tests (continued)

• Insulation Parameters per IEC/EN 60664-1 (continued)

Table F.4 – Creepage Distances to Avoid Failure due to Tracking
DIN EN 60664-1/VDE 0110-1

Voltage ¹⁾ (RMS)	Minimum Creepage Distances								
	Printed Circuits		Pollution Degree						
	Pollution Degree		1	2	2	2	3	3	3
	1 All Material Groups	2 All Material Groups except IIIb	1 All Material Groups	Material Group I	Material Group II	Material Group III	Material Group I	Material Group II	Material Group III ²⁾
V	mm	mm	mm	mm	mm	mm	mm	mm	mm
10	0.025	0.04	0.08	0.4	0.4	0.4	1	1	1
12.5	0.025	0.04	0.09	0.42	0.42	0.42	1.05	1.05	1.05
16	0.025	0.04	0.1	0.45	0.45	0.45	1.1	1.1	1.1
20	0.025	0.04	0.11	0.48	0.48	0.48	1.2	1.2	1.2
25	0.025	0.04	0.125	0.50	0.5	0.5	1.25	1.25	1.25
32	0.025	0.04	0.14	0.53	0.53	0.53	1.3	1.3	1.3
40	0.025	0.04	0.16	0.56	0.8	1.1	1.4	1.6	1.8
50	0.025	0.04	0.18	0.6	0.85	1.2	1.5	1.7	1.9
63	0.04	0.063	0.2	0.63	0.9	1.25	1.6	1.8	2
80	0.063	0.1	0.22	0.67	0.95	1.3	1.7	1.9	2.1
100	0.1	0.16	0.25	0.71	1	1.4	1.8	2	2.2
125	0.16	0.25	0.28	0.75	1.05	1.5	1.9	2.1	2.4
160	0.25	0.4	0.32	0.8	1.1	1.6	2	2.2	2.5
200	0.4	0.63	0.42	1	1.4	2	2.5	2.8	3.2
250	0.56	1	0.56	1.25	1.8	2.5	3.2	3.6	4
320	0.75	1.6	0.75	1.6	2.2	3.2	4	4.5	5
400	1	2	1	2	2.8	4	5	5.6	6.3
500	1.3	2.5	1.3	2.5	3.6	5	6.3	7.1	8 (7.9) ⁴⁾
630	1.8	3.2	1.8	3.2	4.5	6.3	8 (7.9) ⁴⁾	9 (8.4) ⁴⁾	10 (9) ⁴⁾
800	2.4	4	2.4	4	5.6	8	10 (9) ⁴⁾	11 (9.6) ⁴⁾	12.5 (10.2) ⁴⁾
1000	3.2	5	3.2	5	7.1	10	12.5 (10.2) ⁴⁾	14 (11.2) ⁴⁾	16 (12.8) ⁴⁾
1250			4.2	6.3	9	12.5	16 (12.8) ⁴⁾	18 (14.4) ⁴⁾	20 (16) ⁴⁾
1600			5.6	8	11	16	20 (16) ⁴⁾	22 (17.6) ⁴⁾	25 (20) ⁴⁾
2000			7.5	10	14	20	25 (20) ⁴⁾	28 (22.4) ⁴⁾	32 (25.6) ⁴⁾
2500			10	12.5	18	25	32 (25.6) ⁴⁾	36 (28.8) ⁴⁾	40 (32) ⁴⁾
3200			12.5	16	22	32	40 (32) ⁴⁾	45 (36) ⁴⁾	50 (40) ⁴⁾
4000			16	20	28	40	50 (40) ⁴⁾	56 (44.8) ⁴⁾	63 (50.4) ⁴⁾
5000			20	25	36	50	63 (50.4) ⁴⁾	71 (56.8) ⁴⁾	80 (64) ⁴⁾
6300			25	32	45	63	80 (64) ⁴⁾	90 (72) ⁴⁾	100 (80) ⁴⁾
8000			32	40	56	80	100 (80) ⁴⁾	110 (88) ⁴⁾	125 (100) ⁴⁾
10000			40	50	71	100	125 (100) ⁴⁾	140 (112) ⁴⁾	160 (128) ⁴⁾
12500			50 ³⁾	63 ³⁾	90 ³⁾	125 ³⁾			
16000			63 ³⁾	80 ³⁾	110 ³⁾	160 ³⁾			
20000			80 ³⁾	100 ³⁾	140 ³⁾	200 ³⁾			
25000			100 ³⁾	125 ³⁾	180 ³⁾	250 ³⁾			
32000			125 ³⁾	160 ³⁾	220 ³⁾	320 ³⁾			
40000			160 ³⁾	200 ³⁾	280 ³⁾	400 ³⁾			
50000			200 ³⁾	250 ³⁾	360 ³⁾	500 ³⁾			
63000			250 ³⁾	320 ³⁾	450 ³⁾	600 ³⁾			

¹⁾ This voltage is for:

- Functional insulation; the working voltage
- Basic and supplementary insulation of the circuit energized directly from the mains (see 4.3.2.2.1): for the voltage rationalized through Table F.3a or F.3b, based on the rated voltage of the equipment, or the rated insulation voltage
- Basic and supplementary insulation of systems, equipment and internal circuits not energized directly from the mains (see 4.3.2.2.2): the highest rms voltage which can occur in the system, equipment or internal circuit when supplied at rated voltage and under the most taxing combination of operation conditions within equipment rating

²⁾ Material group IIIb is not recommended for applications in pollution degree 3 above 630 V.

³⁾ Provisional data based on extrapolation. Technical committees who have other information based on experience may use their dimensions.

⁴⁾ The values in brackets must only be applied for reducing creepage distances if a rib is used (see 5.2.5).

The high degree of accuracy of the creepage distances given in the table does not imply that the measuring accuracy must be of the same quality.

Depending on the intended use, WAGO's terminal blocks, splicing and pluggable connectors are suitable for pollution degrees 2 or 3 and for overvoltage categories II or III. The rated voltages of WAGO's PCB terminal blocks and connectors are based on pollution degree 2 and overvoltage category III in per IEC/EN 60664-1 (insulation parameters).

Example:

WAGO 236 Series PCB Terminal Strips
(5/5.08 mm pin spacing)

320 V/4kV/2

Rated voltage	320 VDC
Rated surge voltage	4 kV
Pollution degree	2
Overvoltage category	III

The specific values for pollution degree 3 and overvoltage category II are also given in the technical data.

The clearances and creepage distances required for defined voltage values in Table 3 of IEC/EN 60998-1 deviate somewhat from the requirements specified in the insulation parameters.

Table 3 – Clearances and Creepage Distances
(IEC/EN 60998-1)

Rated Insulation Voltage V	Clearances/Creepage Distances mm
≤ 130	1.5
> 130 and ≤ 250	3
> 250 and ≤ 450	4
> 450 and ≤ 750	6
> 750	8

Tests and Testing Procedures per IEC/EN Standards (continued)

Electrical Tests (continued)

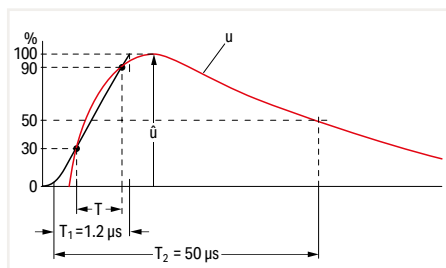
• Power-Frequency Withstand Voltage Test per IEC/EN 60947-7-4, IEC/EN 60998-1

This testing procedure verifies creepage distances. Creepage distances, i.e., the distances of creeping currents, are caused by conductive impurities on the surface of the insulation housing. Apart from the amount of impurities to which a terminal block is subjected, for example, the plastic material and housing design are also involved in generating creeping currents. The insulation material of the housing may be carbonized by a creeping current, which further increases conductivity.

The specimen is tested using a power-frequency withstand voltage for a short time. For example, a PCB terminal block designed to operate at 320 V nominal voltage is usually tested using 2200 V alternating voltage for one minute. The test is passed if no flashovers or breakdowns have occurred.

• Rated Impulse Withstand Voltage Test per IEC/EN 60947-7-4, IEC/EN 60664-1

This test verifies the clearances of a product. In simplified terms, clearance is the distance between two poles of a terminal block. If this distance is too small, voltage peaks may cause flashovers or breakdowns. The arrangement of the rated impulse withstand voltage test is identical to that of the power frequency withstand voltage test; the test voltages, however, are comparatively higher and the testing times shorter, e.g., 4.8 kV over 50 μ s (see figure).



Voltage pulse: 1.2/50 μ s per EN 60060-1/VDE 0432-1

Voltage pulse: measurement curve (red) and auxiliary curve (black) for calculating the rate of rise of the pulse and the resulting (virtual) peak of the curve.

- T: Time interval for calculating the rate of rise
- T1: Front time (duration between start of impulse and reaching the peak)
- T2: Total pulse duration

The test values are the values at sea level as specified in the relevant test specification. The values indicated in the catalog correspond to an altitude of 2000 m. The test is passed if no flashovers or breakdowns have occurred.

• IP Ratings for Electrical Equipment per IEC/EN 60529

Alphanumeric Nomenclature for Type of Protection				IP vs. NEMA	
Code letters IP	Protection against accidental contact and against the penetration of foreign objects or water	IP (Ingress Protection) = International degree of protection		IP Code	NEMA
First code number 0 to 6	Indicates the degree of protection against accidental contact and the penetration of foreign objects.	If indicating the degree of protection requires only one digit, the other (second) digit must be substituted for with an X.		10	1
Second code number 0 to 8	Indicates the degree of protection against water penetration.			11	2
First code number:		Second code number:		54	3
IP0X	No protection against accidental contact or the penetration of foreign objects	IPX0	No protection against water	14	3R
IP1X	Protection against foreign objects > 50 mm	IPX1	Protection against vertically falling water	54	3S
IP2X	Protection against foreign objects > 12 mm (e.g., finger)	IPX2	Protection against diagonally dripping water (15° angle)	55	4&4X
IP3X	Protection against foreign objects > 2.5 mm	IPX3	Protection against water spray	52	5
IP4X	Protection against foreign objects > 1 mm	IPX4	Protection against water spray	67	6&6P
IP5X	Protection against damaging dust deposits	IPX5	Protection against water jet, e.g., from a nozzle	52	12&12K
IP6X	Protection against dust penetration	IPX6	Protection against flooding	54	13
		IPX7	Protection against temporary immersion		
		IPX8	Protection against continuous immersion		
		IPX9	Protection against high-pressure and high-temperature water jets		

Tests and Testing Procedures per IEC/EN Standards (continued)

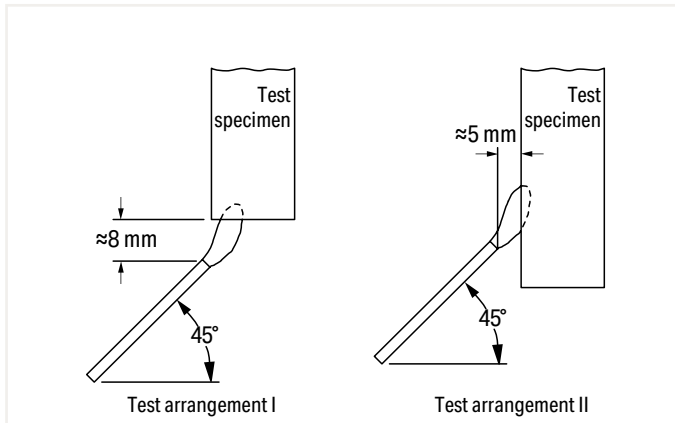
Material Tests

All WAGO products meet requirements for the following material tests:

- Needle Flame Test per IEC/EN 60947-7-1, IEC/EN 60695-11-5

This test simulates flames that may arise under certain conditions (e.g. fault current over a creepage distance, overloading of parts or components). Nearby parts can also be affected by such flames.

Not only the ignition of the test specimen resulting from an intrinsic defect is tested, but also its behavior when other parts ignite.



Flames must not be fuelled by the insulation materials used, thus creating a larger fire. The test specimen is exposed to a standard gas flame during a defined time period (e.g., ten seconds).

After the test flame has been removed, the specimen must self-extinguish within 30 seconds. Furthermore, a layer of tissue paper located beneath the specimen must not be ignited by glowing particles falling from the specimen.

- Glow-Wire Test per IEC/EN 60947-7-4, IEC/EN 60998-1, IEC/EN 60695-2-11

In the event of failure, a high current may cause a conductor to glow.



However, the glowing conductor shall not cause ignition of the product involved (e.g., a rail-mount terminal block). For the glow-wire test, the tip of the glow-wire is pressed against a surface of the test specimen (see picture).

The position of the test specimen, surface to be tested, test duration and glow-wire temperature (e.g., 960°C/1760°F over 30 seconds, or 850°C/1562°F over 5 seconds) are specified in the standards.

The specimen must be positioned such that the tip of the glow-wire acts on the surface section of the specimen (vertical surface of the specimen) that is most likely to be exposed to thermal loading during normal use.

As the highest temperature in the event of a fault is anticipated at the contact insert/wire connection, the tip of the glow-wire must act upon the section of the insulation housing that is the closest to this contact point. The test is passed if there are no visible flames or permanent glowing, or if flames or glowing extinguish within 30 seconds after removal of the glow-wire. Furthermore, a layer of tissue paper located beneath the specimen must not be ignited by glowing particles falling from the specimen.

Tests and Testing Procedures per IEC/EN Standards (continued)

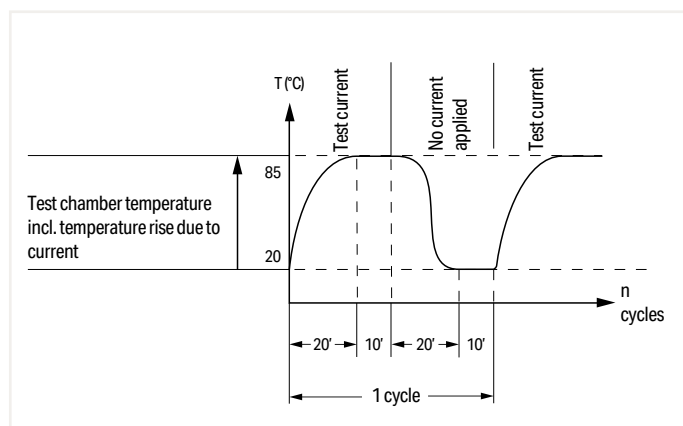
Environmental Tests

The following tests show how a product reacts when exposed to an aggressive environment. Climatic chambers simulate standard atmospheres that could impact the long-term consistency of clamping units.

All WAGO products meet the requirements of the following environmental tests:

- Temperature Cycling Test per IEC/EN 60947-7-1, IEC/EN 60998-2-2

This test shows the change of voltage drop over longer periods under temperature cycling conditions. The test procedure usually consists of 192 temperature cycles, for example, each cycle having a duration of 60 minutes (see diagram).



The rated current is applied to the test specimen during temperature rise and when the temperature has reached its maximum value; during the second half of the cycle, the current is zero. Voltage drop is measured every 24 cycles and must not exceed a maximum value or vary greatly. The voltage drop measured at the end of the 192nd cycle must not exceed 1.5 times the value measured after the 24th cycle. After the test, an inspection must show no changes that would impair further use of the product.

- Industrial Atmospheres per EN ISO 6988, IEC/EN 60068-2-42, IEC/EN 60068-2-60

Sulphur and its combustion products are particularly aggressive pollutants commonly found in industrial environments. A test procedure simulating such corrosive conditions consists of exposing a test specimen to water condensation in variable atmospheres containing sulphur dioxide.



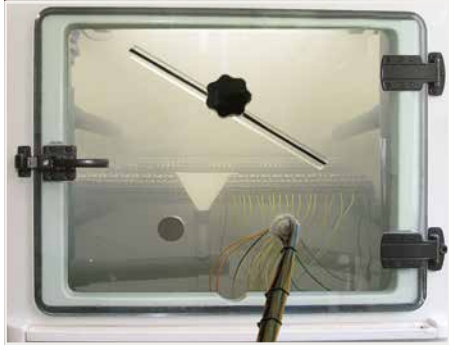
A saturated atmosphere is first created in a climatic chamber by heating an aqueous sulphur dioxide solution. After less than half an hour, the test specimen is fully saturated by the condensing vapors and exposed to this atmosphere for eight hours.

After exposure to a humid atmosphere, the test specimen is subjected to dry and cooler conditions at room temperature for 16 hours. Depending on the test severity, the specimen is exposed to both these conditions several times. The gas-tightness of the clamping unit is verified by a voltage drop test.

In other test procedures, products are exposed to a dry corrosive gas atmosphere containing sulfide, nitrogen and sulfur oxides or chloride gas. These tests can be performed over a period of four to 21 days.

• Salt Spray Test per IEC/EN 60068-2-11; DNV GL, LR (Marine Applications)

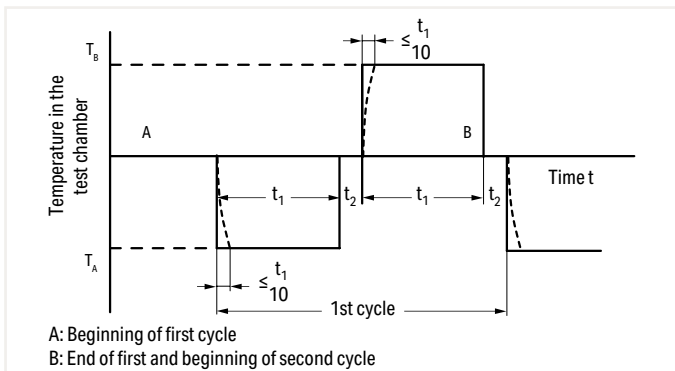
This test is similar to the test performed in water condensation alternating atmospheres, except that instead of industrial atmospheres, salt mist conditions will be simulated in a heated test chamber (see picture).



Depending on the test procedure being used, the test specimen is sprayed with salt mist for 16 hours up to 672 hours (4 weeks). Salt spray tests are widely used, especially for marine approvals. However, this test is performed differently than the test procedures described previously for general applications: During a typical test, the test specimen is sprayed with a salt solution for two hours and is then stored for seven days in an atmosphere with a relative humidity between 90 and 95%. This procedure is repeated four times. Voltage drop measurements are used as an evaluation criterion.

• Quick Change of Temperature per IEC/EN 60068-2-14

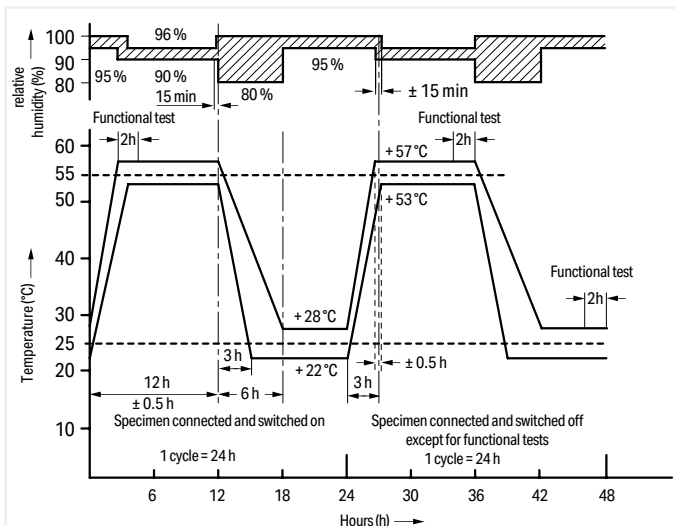
Without air-conditioning, distribution panels and terminal boxes are exposed to seasonal (and ever-changing) temperature extremes – especially on the open field side. In process technology, for example, a terminal block is exposed to even quicker changes in temperature.



To simulate such conditions, the test specimen is exposed to repeated temperature changes, for example, between TA -40°C (-104°F) and TB +70°C (+158°F). The dwell time t1 depends on the thermal capacity of the test specimen and should be between maximum of 3 h and minimum of 10 min and the transition time t2 ... 3 min, 20 ... 30 s or less than 10 s. The mechanical and electrical properties of the product are checked at the end of the test.

• Damp Heat, Cyclic (12 + 12 Hour Cycle) per IEC/EN 60068-2-30, DNV GL, LR (Marine Applications)

This test determines the suitability of electrical equipment for use and storage under conditions of high relative humidity when combined with cyclic temperature changes and, in general, producing condensation on the surface of the specimen.



In addition to the salt spray tests, the damp heat test is also used for marine approvals. For this test, the specimens are subjected to temperatures varying cyclically between +25°C (+77°F) and +55°C (+131°F) with a relative humidity of 95% (for tolerances see figure). Functional tests are performed at defined times during the storage period. The mechanical and electrical properties of the product are checked at the end of the test.

UL Specifications – Underwriters Laboratories, USA

WAGO's terminal blocks and connectors are tested by Underwriters Laboratories Inc. according to one or more of the relevant following UL standards:

- | | | |
|--|------------|---|
| <ul style="list-style-type: none"> • PCB terminal strips (e.g., 236, 745 Series) are approved as non-stand-alone components per UL 1059 in connection with UL 486E. | UL 1059 | Standard for terminal blocks |
| <ul style="list-style-type: none"> • The <i>MULTI CONNECTION SYSTEM "MCS-MIDI"</i> is approved as terminal blocks per UL 1059 standard in connection with UL 486 E. It is therefore defined for field and factory wiring with at 300 V. | UL 486 E | Equipment wiring terminals for use with aluminum and/or copper conductors |
| <ul style="list-style-type: none"> • It is also approved as connectors for use in data, signal, control and power applications per UL 1977 for factory wiring at 600 V (i.e., the clamping unit must be wired under controlled manufacturing conditions). | UL 1977 | Component connectors for use in data, signal, control and power applications |
| <ul style="list-style-type: none"> • Ex e II terminal blocks are approved to UL 60079-7. | UL 60079-7 | Electrical apparatus for explosive gas atmospheres – Part 7: Increased safety |
| <ul style="list-style-type: none"> • Insulation materials are tested for flammability and performance per UL 94. | UL 94 | Tests for flammability of plastic materials for parts in devices and appliances |

Tests and Testing Procedures per UL Standards

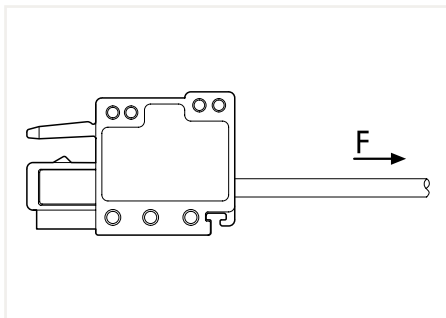
All WAGO products meet requirements for the following tests:

- Pull-Out Test per UL 1059, UL 486 E

In this test, the connected conductors are subjected to the appropriate pull-out forces specified in the following table without jerking for a period of one minute.

Conductor Size AWG or kcmil		Pull-Out Force, Pounds (N)			
		UL 486 E, Table 22			
		Copper		Aluminum	
	(mm ²)				
30	(0.05)	0.5	(2.2)	-	-
28	(0.08)	1	(4.5)	-	-
26	(0.13)	2	(8.9)	-	-
24	(0.2)	3	(13.4)	-	-
22	(0.32)	4.5	(20)	-	-
20	(0.52)	6.75	(30)	-	-
18	(0.82)	6.75	(30)	-	-
16	(1.3)	9	(40)	-	-
14	(2.1)	11.5	(50)	-	-
12	(3.3)	13.5	(60)	10	(44)
10	(5.3)	18	(80)	10	(44)
8	(8.4)	20.5	(90)	10	(44)
6	(13.3)	21	(94)	28	(124)
4	(21.2)	30	(133)	36	(160)
3	(26.7)	35	(156)	42	(187)
2	(33.6)	42	(186)	50	(222)
1	(42.4)	53	(236)	61	(271)
1/0	(53.5)	64	(285)	72	(320)
2/0	(67.4)	64	(285)	78	(347)
3/0	(85.0)	79	(351)	97	(432)
4/0	(107)	96	(427)	116	(516)
250	(127)	96	(427)	116	(516)
300	(156)	99	(441)	116	(516)

Test Arrangement per
UL 1059, UL 486 E:



UL Specifications – Underwriters Laboratories, USA (continued)

Tests and Testing Procedures per UL Standards (continued)

• Heat Cycling Test per UL 1059, UL 486 E

Test performed per:

UL 1059

per UL 486 E

(Equipment wiring terminals)

Test performed with maximum rated cross section

Test performed with maximum rated cross section

Test current: 150% of maximum rated current

Test current: Increased test current per UL 486 E, Table 4

84 cycles of: 3 1/2 h ON / 1/2 h OFF

500 cycles of: 1 h ON / 1 h OFF
1 1/2 h ON / 1 1/2 h OFF
(from 4/0 AWG up to 400 kcmil per UL 486 E)

The temperature rise is measured after the first and the 84th cycle.

The temperature rises at the terminal blocks and control conductors are measured and recorded after: 1, 25, 50, 75, 100, 125, 175, 225, 275, 350, 425 and 500 cycles.

The temperature rise must not exceed 5°C (41°F) after the 84th cycle, compared to the temperature measured after the first cycle.

The temperature rise must not exceed 125°C (257°F) and the stability factor "S" must not exceed ±10.

Conductor Size		Test Current for Copper Conductors in A						
		UL 486 E, Table 4						
AWG or kcmil	(mm ²)	Assigned Maximum Ampere Rating ^b	Static Heating ^{a,c,g}	Heat Cycling Temperature Rating ^a				
				75°C (167°F) ^{d,g}	90°C (194°F) ^{e,g}			
30	(0.05)	-	3		3.5		4	
28	(0.08)	-	3.5		4		5	
26	(0.13)	-	5.5		6		8	
24	(0.2)	-	7		8		10	
22	(0.32)	-	9		12		13	
20	(0.52)	-	12		16		17	
18	(0.82)	-	17		19		24	
16	(1.3)	-	18		20		31	
14	(2.1)	15	[20]	30	[22]	33	[27]	40
12	(3.3)	20	[25]	35	[28]	39	[40]	54
10	(5.3)	30	[40]	50	[45]	56	[60]	75
8	(8.4)	50		70		80		100
6	(13.3)	65		95		105		131
4	(21.2)	85		125		140		175
3	(26.7)	100		145		165		205
2	(33.6)	115		170		190		240
1	(42.4)	130		195		220		275
1/0	(53.5)	150		230		255		320
2/0	(67.4)	175		265		300		370
3/0	(85.0)	200		310		345		435
4/0	(107)	230		360		405		505
250	(127)	255		405		445		565
300	(152)	285		445		500		625

^a See Section 7.2, 8.2 and 9.2 (UL 486 E)

^b Values are for 75°C (167°F), not more than three conductors in raceway or cable ampacities, National Electric Code, ANSI/NFPA 70.

^c Values are for 75°C (167°F) single conductors in free air ampacities, National Electric Code, ANSI/NFPA 70.

^d Values are approximately 112% of the static heating test currents.

^e Values for 8 AWG and larger conductors are approximately 140% of the static heating test currents.

^f See Section 9.2.4

^g Values in parentheses apply to connectors with assigned ampere ratings.

- **Conditioning – Temperature-Rise Rest per UL 1059**

Test performed per:

per UL 1059 (terminal blocks)

Conditioning:

The clamping units are **pre-wired/pre-inserted nine times** using a conductor with maximum rated cross section. At the 10th time, a new conductor is connected.

After this, a static heating test is performed.

Static Heating Test:

Test current: Terminal block rated current

Test duration: 30 days

Max. permissible temperature rise: 30°C (86°F)

UL Specifications – Underwriters Laboratories, USA (continued)

Tests and Testing Procedures per UL Standards (continued)

• Insulation Parameters per UL 1059

The table below shows the potential involved and the corresponding clearances and creepage distances required in different applications.

Table 8.1 – Minimum Acceptable Spacing for Terminal Blocks per UL 1059 Standard

Application:	Potential In-volved in Volts	Spacing in inches (mm) between un-insulated live parts of opposite polarity, un-insulated live parts and un-insulated grounded parts other than the enclosure			
		Through Air		Over Surfaces	
A. Dead-front switchboards, panelboards, service equipment and similar applications	51 ... 150 151 ... 300 301 ... 600	1/2 (12.7) 3/4 (19.1) 1 (25.4)	3/4 (19.1) 1-1/4 (31.8) 2 (50.8)		
B. Commercial appliances, including business equipment, electronic data processing equipment and similar applications	51 ... 150 151 ... 300 301 ... 600	1/16 ^a (1.6) ^a 3/32 ^a (2.4) ^a 3/8 (9.5)	1/16 ^a (1.6) ^a 3/32 ^a (2.4) ^a 1/2 (12.7)		
C. Industrial, general	51 ... 150 151 ... 300 301 ... 600	1/8 ^a (3.2) ^a 1/4 (6.4) 3/8 (9.5)	1/4 (6.4) 3/8 (9.5) 1/2 (12.7)		
D. Industrial, devices having limited ratings ^b	51 ... 300 301 ... 600	1/16 ^a (1.6) ^a 3/16 ^a (4.8) ^a	1/8 ^a (3.2) ^a 3/8 (9.5)		
E. Terminal blocks rated 601 ... 1500 V ^c	601 ... 1000 1001 ... 1500	0.55 (14.0) 0.70 (17.8)	0.85 (21.6) 1.20 (30.5)		

Notes:

1 A slot, groove, or similar, 0.013 inch (0.33 mm) wide or less in the contour of the insulating material is to be disregarded.

2 Air space of 0.33 mm or less between a live part and an insulating surface is to be disregarded for the purpose of measuring over surface spacing.

^a The spacing between terminal blocks of opposite polarity and the spacing between a terminal block and a grounded dead metal part shall not be less than 1/4 inch (6.4 mm) if short-circuiting or grounding of such terminal blocks may result from protruding wire strands.

^b See Section 8.5 (UL 1059)

The spacing values indicated in sub-paragraph D in Table 8.1 are applicable to a terminal block for use only in or with industrial control equipment where the load on any single circuit of the terminal block does not exceed 15 A at 51 ... 150 V, 10 A at 151 ... 300 V, 5 A at 301 ... 600 V or the maximum ampere rating, whichever is less.

^c Applies only to terminal blocks investigated to Part II of this standard. See Section 22.1 (UL 1059).

• Flammability Test per UL 94

This test provides an indication of the material's ability to extinguish a flame, once ignited.

Several ratings can be applied, based on the rated of burning, time to extinguish, ability to resist dripping, and after-glow extinguishing time. Each material tested may receive several ratings, depending on the wall thickness.

UL 94 Rating Categories:

V2

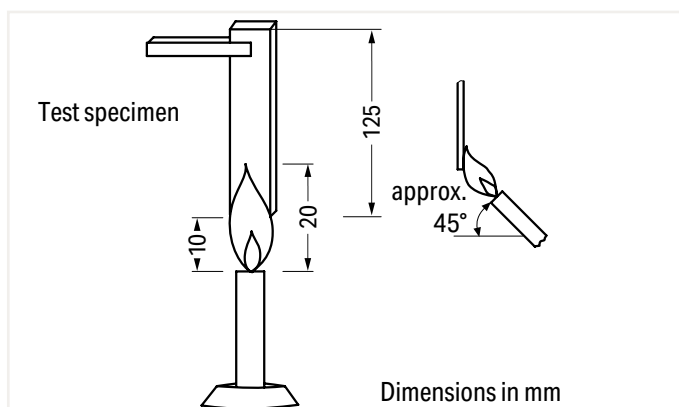
- Specimen mounted vertically
- Burning stops within 30 seconds after the flame is removed
- Flaming drips allowed
- After-glow extinguishes within 60 seconds max.

V1

- Specimen mounted vertically
- Burning stops within 30 seconds after the flame is removed
- No flaming drips allowed
- After-glow extinguishes within 60 seconds max.

V0

- Specimen mounted vertically
- Burning stops within 10 seconds after the flame is removed
- No flaming drips allowed
- After-glow extinguishes within 30 seconds max.



During the test, a 3/4 inch (20 ± 1 mm) flame is applied for two 10-second intervals to the specified bar specimen held vertically.

"Alu-Plus" Contact Paste

Terminating Aluminum Conductors

Terminating Aluminum Conductors

WAGO spring clamp terminal blocks are suitable for solid aluminum conductors ① up to 4 mm²/12 AWG if WAGO "Alu-Plus" Contact Paste is used for termination.

Advantages of the "Alu-Plus" Contact Paste:

- Automatically destroys the oxide film during clamping.
- Prevents fresh oxidation at the clamping point.
- Prevents electrolytic corrosion between aluminum and copper conductors (in the same terminal block).
- Provides long-term protection against corrosion.

Using terminal blocks with CAGE CLAMP® Spring Pressure Connection Technology, **aluminum conductors must first be cleaned with a blade** and then immediately be inserted into the clamping units filled with "Alu-Plus" Contact Paste.

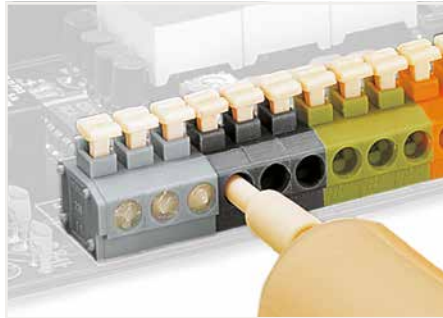
It is also possible to apply WAGO "Alu-Plus" **additionally** on the whole surface of the aluminum conductor before termination.

Please note that the nominal currents must be adapted to the reduced conductivity of the aluminum conductors:

2.5 mm² (14 AWG) = 16 A
4 mm² (12 AWG) = 22 A

WAGO "Alu-Plus" in the syringe offers a higher degree of reliability and cleanness when terminating solid aluminum conductors.

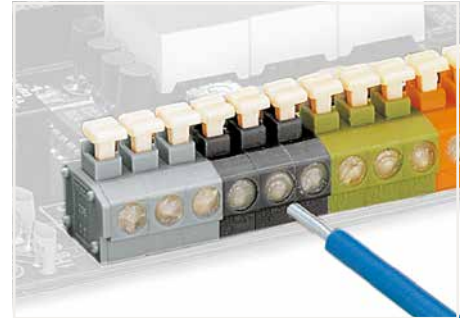
Filling is, for example, quickly performed on WAGO PCB Terminal Trips:



WAGO Lighting Connectors

Push nozzle of the "Alu-Plus" syringe first into the circular entry and then into the square conductor entry hole of the WAGO Lighting Connector.

① Aluminum conductors per IEC 61545 standard, Class B, "Alloy 1370" with 90 ... 180 N/mm² tensile strength and 1 ... 4% elongation
Standard values: 90 ... 180 MPa tensile strength, 1 ... 4% elongation (per EN 615.4.1)



Press plunger down until the "Alu-Plus" has filled both entry holes.

Note: Not suitable for higher temperature applications!

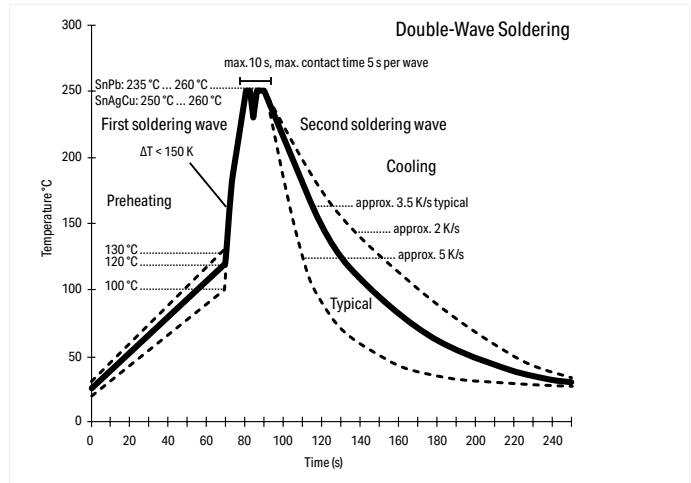
Material Specifications

Soldering Information

Wave Soldering

WAGO's PCB terminal blocks and connectors comply with the 2011/65/EU Directive of June 8, 2011 and display the "RoHS compliant" logo on their packaging.

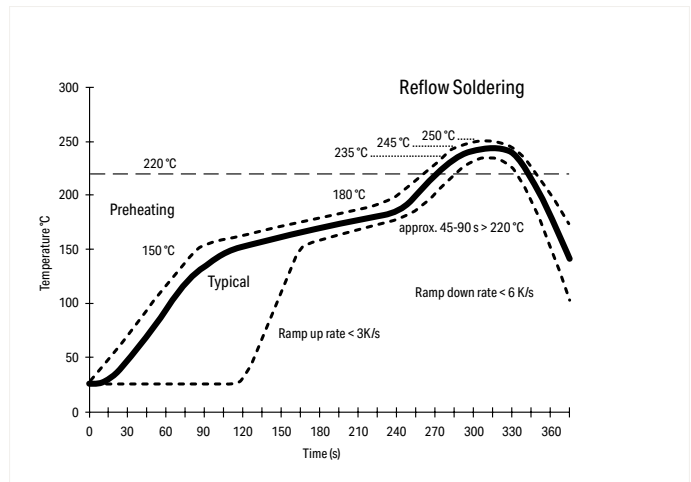
In accordance with IEC 61760-1, the maximum double-wave soldering temperature is 260°C (500°F) for a maximum 10 seconds or 5 seconds per wave.



Reflow Soldering

WAGO's THR and SMD PCB terminal blocks and connectors have high-temperature-resistant insulated housings and reflow solder contacts.

In accordance with IEC 61760-1 or IEC 60068-2-58, the maximum soldering temperature is 260°C/500°F (peak temperature). Due to customer-specific variables (e.g., component configuration and orientation, type of soldering machine, solder paste), trial runs are recommended to ensure product and process compatibility under actual manufacturing conditions.



Insulation Materials

WAGO primarily uses polyamide (PA 66 and PA 46) for housing current-conducting parts, as well as polyphthalamide (PPA) and polycarbonate (PC) for insulation material (see table). For more than 50 years, these materials have proven themselves in WAGO products and all are approved by certified, third-party agencies. All listed halogen-free and flame-retardant polymer materials do not contain any heavy metals, silicone, asbestos, or formaldehyde as formulation components.

Table: Standard Insulation Materials

Material	PA 66	PA 66 GF	PPA GF	PA 46	PC	PC
Flammability						
UL 94 flammability test ratings	V0	V0	V0	V2	V2	V0
Oxygen Index (OI) per EN ISO 4589-2	> 32 %	> 33 %	> 37 %	> 27 %	> 26 %	> 35 %
Glow-wire test per						
IEC 60695-2-12 GWFI*	850 °C	850 °C	850 °C	750 °C	800 °C	960 °C
IEC 60695-2-13 GWIT*	775 °C	775 °C	775 °C	725 °C	850 °C	850 °C
Comparative Tracking Index (CTI) per IEC 60112	600 V	600 V	600 V	375 V	225 V	225 V
Temperature of the ball indentation hardness test per IEC 60695-10-2	≥ 125 °C	≥ 175 °C	≥ 225 °C	n.s.**	≥ 125 °C	≥ 125 °C
RTI impact per UL 746B	105 °C	100 °C	115 °C	115 °C	125 °C	120 °C
Heat deflection temperature (HDT/B) per ISO 75 (bending stress A*: 1.8 MPa; B: 0.45 MPa)	215 °C	235 °C	285 °C	280 °C	130 °C (1.8 MPa)	130 °C (1.8 MPa)
Surface resistivity per IEC 60093	10 ¹² Ω	10 ¹² Ω	10 ¹⁵ Ω	10 ¹³ Ω	10 ¹⁵ Ω	10 ¹⁵ Ω
Specific contact resistance per IEC 60093	10 ¹⁵ Ω/cm	10 ¹⁵ Ω/cm	10 ¹³ Ω/cm	10 ¹³ Ω/cm	10 ¹¹ Ω/cm	10 ¹³ Ω/cm
Dielectric strength per IEC 60243-1	30 kV/mm	40 kV/mm	25 kV/mm	25 kV/mm	25 kV/mm	29 kV/mm

*Value depends on wall thickness, EN 60335 compliance upon request; **n. s. = not specified

Polyamide (PA 66)

WAGO uses modified, halogen-free, flame-retardant polyamides.

These materials do not corrode, are difficult to ignite and feature self-extinguishing properties (V0 rating per UL 94).

Adhering to UL 746C, the polyamides used at WAGO have a continuous operating temperature of 105°C (221°F) based on the relative temperature index with impact load (RTIimp). This ensures that the necessary electrical and mechanical insulating properties are maintained at a sufficiently guaranteed level over a long period of time.

The short-term upper temperature limit is 200°C (392°F).

In lower temperature ranges, it has been determined that no damage to the insulation material occurs during usage down to -35°C (-31°F). After installation and wiring, WAGO products can even be used at temperatures down to -60°C (-76°F).

Environmental humidity (up to 2.5% in a standard atmosphere) is absorbed, providing the polyamides with optimum elasticity, strength and durability.

In practical use, basic stabilization of WAGO's polyamides has been proven over many years to be sufficient to prevent damage caused by ozone or UV radiation exposure in intended applications.

Polyamides have excellent resilience against the most demanding climates and have proven themselves in tropical applications worldwide. Insulation parts made of polyamide are resistant to insects. The material does not provide oxygen or other biogenic elements to microorganisms.

The presence of anaerobic earth bacteria, mold, fungus and enzymes does not degrade the material.

Polyamides are resistant to most fuels, greases, and oils, as well as the most commonly used cleaners, such as alcohol, Freon, Frigen, and carbon tetrachloride. Acid resistance depends on the acid type and concentration, as well as the exposure time.

The use of insulation materials during in-house production at WAGO only occurs after acceptance of factory test certificates and specified material tests.

Glass Fiber-Reinforced Polyamide (PA 66 GF)

WAGO uses glass-fiber-reinforced polyamides for components with increased mechanical demands, such as levers, push-buttons or housings exposed to high stress, because they have significantly better mechanical characteristic properties than non-reinforced polyamides.

In general, materials are used that have excellent tracking resistance, flammability ratings and high temperature resistance.

More data can be found in the table.

Polyphthalamide (PPA GF)

Glass-fiber-reinforced, high-performance polyamides are ideal for high-temperature applications, due to the material's high level of thermal dimensional stability, its low dependence on ambient conditions and its excellent strength properties. The material's outstanding tracking resistance permits short creepage distances to be incorporated into miniature components. Fire protection equipment enables classification in flammability class V0 per UL 94 – even for extremely thin walls. PPA GF absorbs minute amounts of moisture from the atmosphere making it ideal for reflow soldering applications and for thin-walled, dimensionally stable components.

More data can be found in the table.

Polyamide (PA 46)

In comparison with PA 66, PA 46 has substantially higher dimensional stability under heat. The relative temperature index with impact load (RTIimp) is 115°C (239°F) for PA 4.6. The permissible short-term temperature for the type used by WAGO is 280°C (536°F).

More data can be found in the table.

Polycarbonate (PC)

Polycarbonate has excellent dimensional stability under heat. The electrical and mechanical properties remain intact at extremely high temperatures up to approximately 120°C (248°F) per UL Yellow Card. Its excellent electrical insulating properties and dimensional stability are virtually independent of environmental conditions, such as humidity and temperature. Highly precise components can be created due to the low shrinkage of the material during injection molding. Polycarbonate has excellent weather resistance and is also highly resistant to high energy radiation. If the PC is not colored, then the components are glass-clear.

Thanks to its desirable properties (e.g., dimensional stability, heat resistance, non-flammability, durability and transparency), PC is a proven and widely used material in the electrical industry.

Depending on the demands placed on the finished product, WAGO uses polycarbonates that carry flammability classifications V2 and V0 per UL 94.

Medium-viscosity PC is used that features excellent chemical resistance.

Material Specifications

Contact Materials

Hard and extra-hard electrolytic copper (ECu), as well as extra-hard copper alloys are the standard materials used for the current-carrying parts of all WAGO products.

These materials combine excellent conductivity and good chemical resistance without the risk of stress-induced cracking.

Contact Materials

The special tin layer, which is the standard layer for all current-carrying parts in WAGO products, ensures perfect long-term protection against corrosive substances. Furthermore, these layers provide a gas-tight contact that ensures a durable transition resistance.

At the clamping unit, the conductor is embedded into the soft tin layer via high contact pressure. This protects the contact area against corrosion.

The thick tin layer also ensures good solderability of both PCB terminal block and connector solder pins.

Clamping Spring Material

Every WAGO clamping spring is made of high-quality, accurately tested austenitic chrome nickel steel (CrNi) with high tensile strength, which boasts proven corrosion resistance through long-term usage.

Even after decades of use, no galvanic corrosion between the chrome nickel spring steel (in connection with the contact materials used by WAGO) and the connected copper conductors has been detected.

In certain product lines, the clamping springs are thermally treated at temperatures between 350°C (662°F) and 420°C (788°F) after production.

It is resistant to sea spray, city pollutants and industrial emissions (e.g., sulfur dioxide, hydrogen sulfide).

The relaxation of the material as a function of time and surrounding temperatures up to 105°C (221°F) can be ignored. Samples loaded with 500 N/mm² at a temperature of 250°C (482°F) showed a relaxation of only 1.5%.

This treatment reduces internal stress due to the material's mechanical deformation, which may result in a slight brown discoloration of the spring surface.

At room temperatures of approximately 20°C (68°F), the material is resistant to salt solutions up to 30% and dilute phosphoric acids up to 30%.

WAGO only accepts deliveries of chrome nickel spring steel against certificates of conformity and after select material tests have been performed.

Table 1: General Environmental Requirements for Storage, Transportation and Installation*

Environmental requirements during	Value range
Installation	-35 °C ... +60 °C
Storage and transportation	-40 °C ... +60 °C
Relative humidity (storage and transportation)	20 % ... 95 % (non-condensing, no dew)

*These requirements apply to open and packaged products unless otherwise specified on the product at www.wago.com or on the catalog page.

General Technical Information on Electrical Equipment Used in Hazardous Areas

The formation of an explosive atmosphere is required for the existence of a potentially explosive hazard. Such an atmosphere can be produced at any location where flammable gases or liquids are manufactured, processed, transported and/or stored.

Such hazardous areas can be found in a wide range of industries, including chemical plants, refineries, power plants, paint production facilities, painting shops, filling stations, vehicles, sewage treatment plants, airports, grain mills or harbor facilities.

THE FOLLOWING APPLIES AS A GUIDELINE FOR THE UNDERLYING PRINCIPLE FOR EXPLOSION PROTECTION:

General Requirements

The European EN 60079-0 Standard – VDE 0170-1 Classification – contains general requirements for the design and testing of electrical equipment to be used in hazardous areas.

This ensures this equipment does not cause an explosion in the surrounding atmosphere. EN 60079-0 is supplemented or revised by the European standards indicated on the right which refer to the specifically standardized types of protection.

Electrical Equipment

Electrical equipment includes all items used in whole or in part with electricity. This includes items for generation, transport, distribution, storage, measurement, control, conversion and consumption of electrical power, as well as telecommunications.

Ex Components

Ex components are elements of electrical equipment for hazardous areas that are marked with the "U" letter. These components must not be used on their own in such areas and require an additional certificate when used in such areas when installed in the electrical equipment.

Ignition Protection Categories

Only explosion-proof (protected) equipment must be used in areas in which an explosive atmosphere may still be expected despite the implementation of prevention measures. Explosion-protected electrical equipment can have various types of protection in accordance with the EN 60079 standard requirements.

Protection used by the manufacturer essentially depends on the type and function of the apparatus. From a safety point of view, all standardized types of protection should be viewed as equal.

The ignition protection category "n" exclusively describes the use of explosion-protected electrical components in Zone 2. This zone includes areas in which hazardous, potentially explosive atmospheres are likely to occur rarely or short-term. This represents a transition between Zone 1, in which explosion protection is required, and the safe area in which, for example, welding may be performed at any time.

Regulations covering these electrical components are being prepared worldwide. Organizations such as KEMA in the Netherlands, or PTB in Germany certify that the devices meet the requirements of the EN 60079-15 standard.

Ignition protection category "n" also requires that electrical equipment be provided with additional ID markings as follows:

- nA – non-sparking
- nC – enclosed-break, hermetically sealed, non-incendive, sealed
- nR – restricted-breathing

The table on the opposite page shows an overview of the standardized ignition protection categories and describes their basic principle, as well as typical applications.

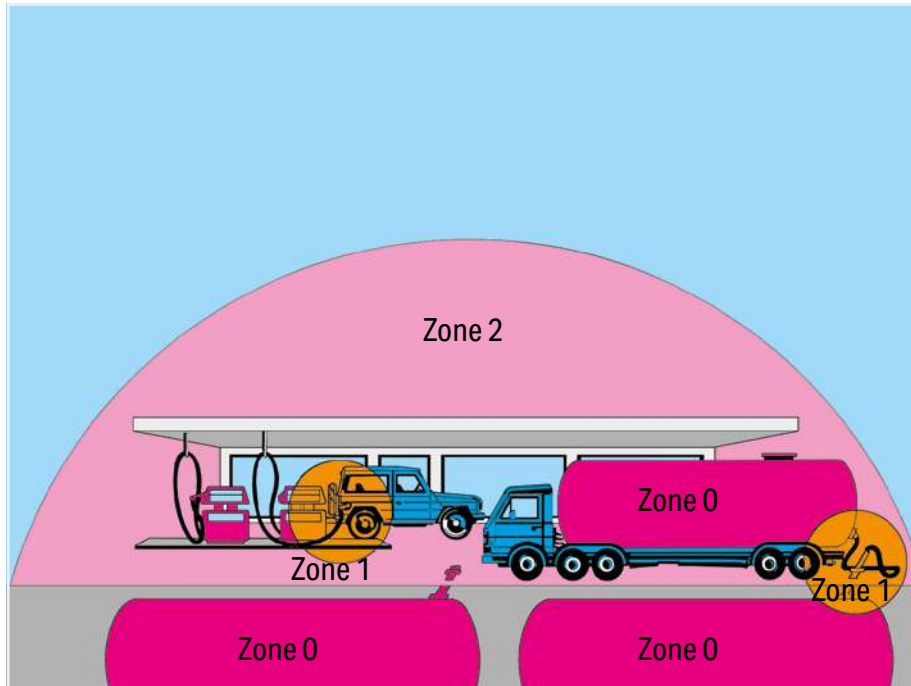
General Technical Information on Electrical Equipment Used in Hazardous Areas

Continued

Hazardous Areas

Hazardous areas are zones in which the atmosphere may become explosive. An explosive atmosphere is a mixture of flammable substances in the form of gases, vapors or mixtures with air under atmospheric conditions in critically mixed ratios such that excessive high temperature, arcs or sparks may cause an explosion.

EN 60079-10-1/EN 60079-10-2 and all other well-known standards rank hazardous areas according to the likelihood of the occurrence of an explosive atmosphere into the following zones:



Hazardous areas due to explosive gases, vapors and mists:

Zone 0

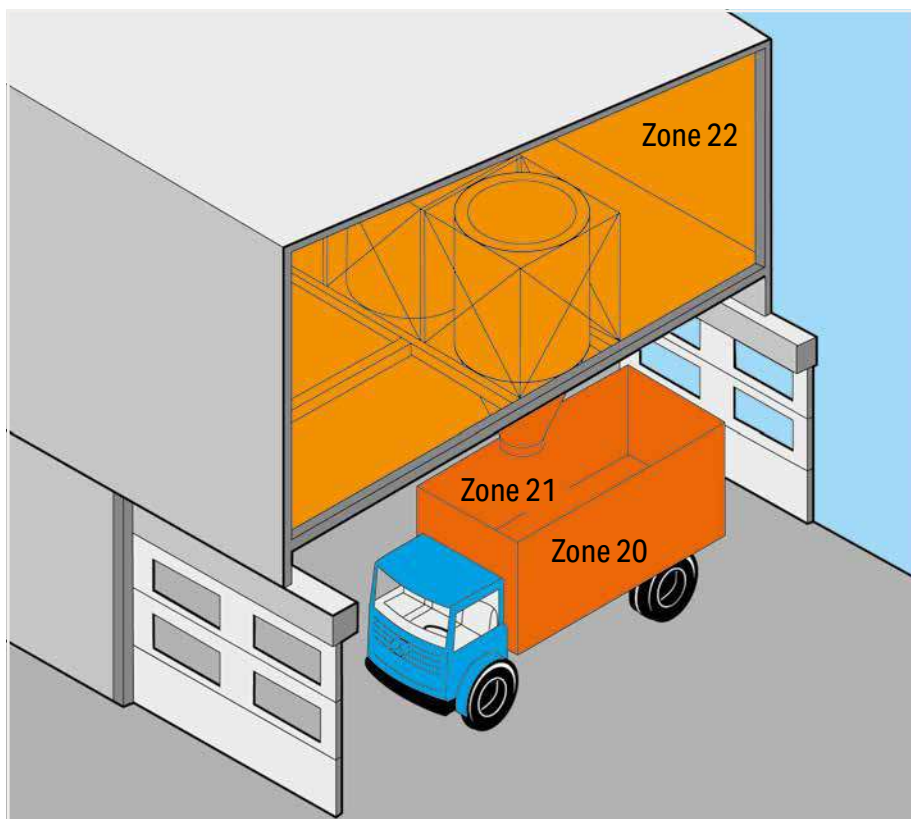
Area in which an explosive gas atmosphere is present continuously, for long periods or frequently.

Zone 1

Area in which an explosive gas atmosphere is likely to occur periodically or occasionally during normal operation.

Zone 2

Area in which an explosive gas atmosphere is unlikely to occur during normal operation; if it does occur, then it is temporarily.



Hazardous areas due to explosive dust/air mixtures:

Zone 20

Area in which an explosive dust atmosphere due to dust/air mixtures is present continuously, for long periods or frequently.

Zone 21

Area in which an explosive dust atmosphere due to dust/air mixtures is likely to occur occasionally during normal operation.

Zone 22

Area in which an explosive dust atmosphere due to flammable dust/air mixtures is unlikely to occur during normal operation; but if it occurs, then only for a short period of time.

EN 60079-0 also classifies electrical equipment for use in hazardous areas into two groups:

Group I:

Electrical equipment for mines susceptible to firedamp

Group II:

Electrical equipment for hazardous areas, except for mines susceptible to firedamp.

As this broad application range encompasses a large number of potentially flammable gases, Group II is broken down into sub-groups IIA, IIB and IIC.

This breakdown is based on different gases/materials exhibiting differing ignition power levels as parameters. Therefore, representative gases have been allocated to these three sub-groups:

- IIA – Propane
- IIB – Ethylene
- IIC – Hydrogen

WAGO's terminal blocks can be used both in Group I and Group II.

This information is given under Item 12 in the EU Prototype Test Certificates, based on which the terminal blocks have been approved for Group I and Group II.

Temperature Class	Maximum Surface Temperature (°C)
T1	450
T2	300
T3	200
T4	135
T5	100
T6	85

Depending on the maximum surface temperature, electrical equipment in Group II are classified in temperature categories T1 to T6 for all protection types. The surrounding air temperature, which must be accounted for in dimensioning, is defined as 40°C/104°F (deviations are acceptable under some conditions).

Terminal blocks for "eb" (increased safety) protection type are generally assigned to temperature category T 6. When rail-mount terminal blocks are used in equipment of temperature categories T1 to T5, ensure that the highest temperature on the insulating parts does not exceed 85°C (185°F). The highest measured surface temperature rise must not exceed 40 K.

Thermal resistance of the insulation material must be at least 20°C (68°F) greater than the highest operating temperature. Low temperature stability is considered to be sufficient when the insulation material can withstand 24-hour storage at a temperature of -60°C (-76°F) without nullifying the type of protection.

**Special Requirements
"Increased Safety Ex e"**

The European EN 60079-7 Standard – VDE 0170-6 Classification – contains special requirements for the design and testing of electrical equipment with "eb" (increased safety) protection type for use in hazardous areas.

This standard is a supplement to EN 60079-0 and applies to equipment or parts thereof that neither generate sparks or arcing under normal operating conditions, nor exhibit hazardous temperatures.

This standard describes special measures, which have to be observed to obtain a safety degree according to the "eb" (increased safety) protection type.

Ex components such as rail-mount terminal blocks are covered by Section 4.2 "Terminal Blocks for External Conductors":

- The terminal blocks must be installed in an enclosure meeting the requirements of a recognized protection type per EN 60079-0, Section 1 or EN 60079-31.
- When installing the terminal blocks in an enclosure of protection type "eb" (increased safety) per EN 60079-7, the clearances and creepage distances of Table 2 must be observed. When using accessories, the installation instructions of the manufacturer must be observed.
- The terminal blocks can be used both in Group II and Group I, as the standard requirements are identical in this case.
- The use of this component requires a new assessment by a notified certification agency.

Minimum Ignition Power of Typical Gases:

Explosion Group	I	IIA	IIB	IIC
Gas	Methane	Propane	Ethylene	Hydrogen
Ignition Power	280	250	82	16

The following are the most important design requirements for terminal blocks for external supply conductors to electrical equipment: These must:

- be sufficiently large to permit reliable connection of external supply conductors with cross section of at least the size required by the nominal current of the equipment
- be protected against self-loosening and designed such that the supply conductors cannot slip out of their clamping units
- be designed such that adequate contact pressure is ensured without damaging the conductors
- be designed such that their contact pres-

sure does not change with temperature cycling

- be equipped with a spring connecting link for the connection of stranded conductors
- be designed so as to allow secure connection of smaller conductors for terminal blocks up to 4 mm² (12 AWG).

General Technical Information on Electrical Equipment Used in Hazardous Areas

Continued

Classification of insulation materials according to their tracking resistance is based on their Comparative Tracking Index (CTI) and is defined in Table 1 as follows:

This classification applies to insulating parts without ribs or grooves.

If the insulating parts have ribs or grooves sufficiently large to be considered, the minimum creepage distances must be set according to values for the insulation materials in the next-higher level (e.g., Group I, instead of Group II).

Accounting for the surrounding air temperature of 40°C (104°F) specified for electrical equipment, the current-carrying capacity of rubber-insulated conductors is reduced to 82%, based on DIN VDE 0298-4:2013-06, Table 12 and to 87% for PVC-insulated conductors for the current-carrying capacity defined for 30°C (86°F) in accordance with DIN VDE 0298-4:2013-06, Item 4.3.3.

Conductor Types and Conductor Preparation

In accordance with EN 60079-14/DIN VDE 0165-1, the ends of stranded and fine-stranded conductors must be protected against splaying (e.g., via cable lugs or ferrules) or by the type of terminal blocks used. Soldering alone is not sufficient.

According to EN 60069-7/DIN VDE 0170-6, connecting electrical equipment to terminal blocks having an "eb" (increased safety) protection type must not lead to a reduction of the clearances and creepage distances.

Based on experience through the application of terminal blocks in aggressive atmospheres in the chemical industry, WAGO recommends gas-tight tinned copper ferrules or tinned copper pin terminals when connecting fine-stranded conductors to terminal blocks

Table 1– Tracking Resistance for Insulation Materials

Material Group	Comparative Tracking Index
I	600 ≤ CTI
II	400 ≤ CTI < 600
III a	175 ≤ CTI < 400
III b	100 ≤ CTI < 175

in corrosive atmospheres.

Table 2– Minimum Creepage Distances/Clearances and Isolations

Voltage (see ^a and ^b) RMS Value for AC or DC Voltage V	Minimum Creepage Distance mm								Minimum Clearance and Isolations mm		
	Material Group								Clearance mm	Distance under Coating ^d	
	I		II		III a		III b				
	"eb"	"ec"	"eb"	"ec"	"eb"	"ec"	"eb"	"ec"	"eb"	"ec"	"ec"
≤ 10 (see ^c)	1.6	1	1.6	1	1.6	1	–	1	1.6	0.4	0.3
≤ 12.5	1.6	1.05	1.6	1.05	1.6	1.05	–	1.05	1.6	0.4	0.3
≤ 16	1.6	1.1	1.6	1.1	1.6	1.1	–	1.1	1.6	0.8	0.3
≤ 20	1.6	1.2	1.6	1.2	1.6	1.2	–	1.2	1.6	0.8	0.3
≤ 25	1.7	1.25	1.7	1.25	1.7	1.25	–	1.25	1.7	0.8	0.3
≤ 32	1.8	1.3	1.8	1.3	1.8	1.3	–	1.3	1.8	0.8	0.3
≤ 40	1.9	1.4	2.4	1.6	3	1.8	–	1.8	1.9	0.8	0.6
≤ 50	2.1	1.5	2.6	1.7	3.4	1.9	–	1.9	2.1	0.8	0.6
≤ 63	2.1	1.6	2.6	1.8	3.4	2	–	2	2.1	0.8	0.6
≤ 80	2.2	1.7	2.8	1.9	3.6	2.1	–	2.1	2.2	0.8	0.8
≤ 100	2.4	1.8	3	2	3.8	2.2	–	2.2	2.4	0.8	0.8
≤ 125	2.5	1.9	3.2	2.1	4	2.4	–	2.4	2.5	1	0.8
≤ 160	3.2	2	4	2.2	5	2.5	–	2.5	3.2	1.5	1.1
≤ 200	4	2.5	5	2.8	6.3	3.2	–	3.2	4	2	1.7
≤ 250	5	3.2	6.3	3.6	8	4	–	4	5	2.5	1.7
≤ 320	6.3	4	8	4.5	10	5	–	5	6	3	2.4
≤ 400	8	5	10	5.6	12.5	6.3	–	6.3	6	4	2.4
≤ 500	10	6.3	12.5	7.1	16	8	–	8	8	5	2.4
≤ 630	12	8	16	9	20	10	–	10	10	5.5	2.9
≤ 800	16	10	20	11	25	12.5	–	–	12	7	4
≤ 1000	20	11	25	11	32	13	–	–	14	8	5.8
≤ 1250	22	12	26	12	32	15	–	–	18	10	–
≤ 1600	23	13	27	13	32	17	–	–	20	12	–
≤ 2000	25	14	28	14	32	20	–	–	23	14	–
≤ 2500	32	18	36	18	40	25	–	–	29	18	–
≤ 3200	40	22	45	22	50	32	–	–	36	22	–
≤ 4000	50	28	56	28	63	40	–	–	44	28	–
≤ 5000	63	36	71	36	80	50	–	–	50	36	–
≤ 6300	80	45	90	45	100	63	–	–	60	45	–
≤ 8000	100	56	110	56	125	80	–	–	80	56	–
≤ 10000	125	71	140	71	160	100	–	–	100	70	–
≤ 12500	–	90	–	90	–	125	–	–	–	89	–
≤ 13640	–	98	–	98	–	138	–	–	–	97	–

^a When determining the required values for creepage distances and clearances, the working voltage may be 1.1 times higher than the value in the table.

NOTE: The factor of 1.1 takes into account that in many places in a circuit the working voltage is equal to the rated voltage and that a number of rated voltages are used, which are covered by a factor of 1.1.

^b The specified values for creepage distances and clearances already take into account a 10% tolerance for the highest supply voltage. Therefore, further considerations on the voltage fluctuations are unnecessary for determining which voltage value from the table should be used.

^c CTI values are not applicable for voltages of 10 V or less. Materials that do not meet the requirements of material group III a can be used.

^d The specified distances under consideration apply to printed circuit boards in protection level "ec" after 4.5.

It is expressly prohibited to use insulating parts for transferring contact forces. Terminal blocks with sharp edges which could damage supply lines and those types that can be rotated, turned or permanently deformed when fixed in place are not permitted for use. Terminal blocks for internal connections in electrical equipment must not be subjected to excessive mechanical stress. These items must fulfill the requirements for terminal blocks used for external supply conductors.

Clearances between conductive parts having different potentials must be at least 3 mm for external connections, as specified in Table 2. The value of the creepage distances depends on the working voltage, surface geometry of the insulating parts and tracking resistance of the insulation material.

Grooves on the surface may only be considered if they are at least 2.5 mm deep and wide; ribs on the surface only if their height is at least 2.5 mm and their width corresponds to the mechanical strength of the material, however not smaller than 1 mm.

Approvals

Terminal blocks may be used in Zones 1 and 2, provided that the terminal blocks are accommodated in an enclosure that has a minimum IP54 protection and an Ex e certification.

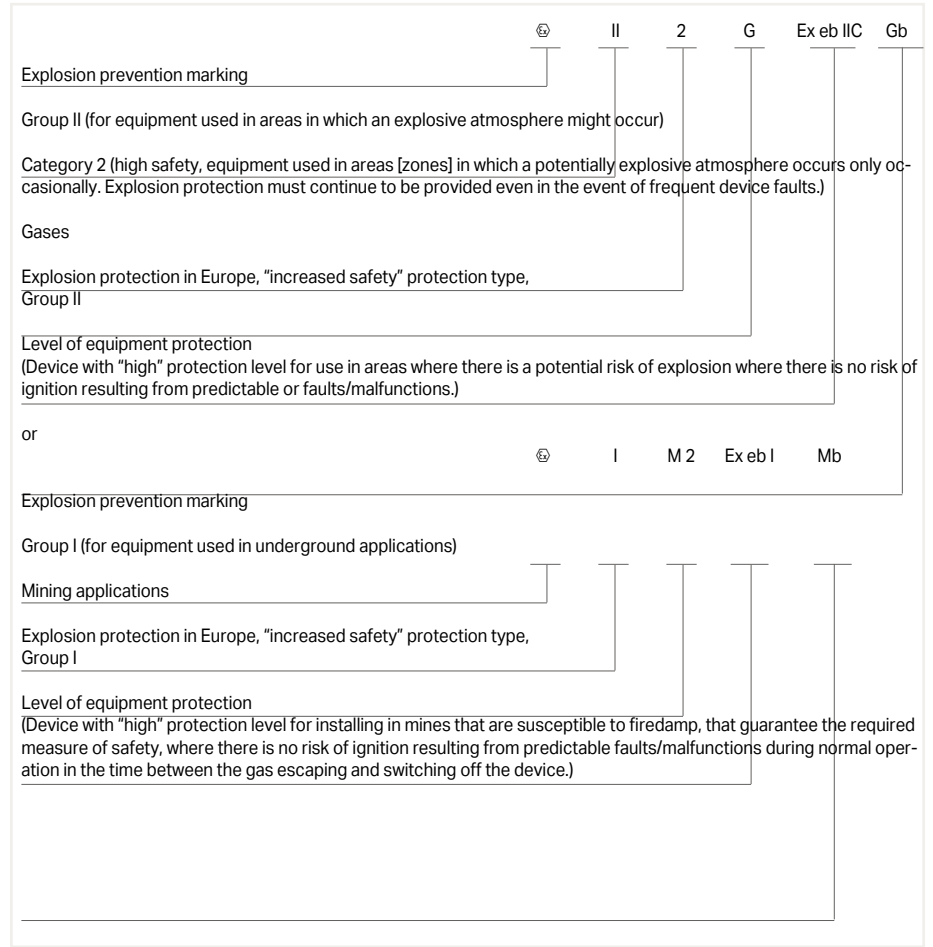
Terminal blocks are considered to be Ex components because they are a part of the equipment. Part certificates provided by Ex Certification Agencies serve as a basis for issuing the complete conformity declaration for the unit.

An EC-type examination certificate is issued in accordance with the 2014/34/EU ATEX Directive.

In addition, an IEXEx Certificate may also be obtained from an appropriate, recognized certification agency in accordance with the IECEx Certification Agreement that is accepted throughout Europe and also in countries such as Canada, China and Australia. These certificates can also be viewed at: www.iecex.com.

EC-type examination certificates have been granted to all WAGO terminal blocks listed in this catalog. WAGO terminal blocks approved for use in Ex e II areas are manufactured of flame-resistant, self-extinguishing Polyamide 66. The same applies to the terminal blocks used in non-hazardous areas. Tracking resistance with a CTI value of 600 as per IEC 60112 and a constant operating temperature of 105°C (22°F) in accordance with IEC 60216-1 and -2 are provided. Factory part quality tests are performed on all PCB terminal blocks with Ex e II approval to monitor and ensure the quality features described above.

Terminal block marking per 2014/34/EU ATEX Directive:



General Technical Information on Electrical Equipment Used in Hazardous Areas

Continued

Special Requirements

Equipment Protection by Intrinsic Safety "i"

The European EN 60079-11 Standard – Classification VDE 0170-7 – contains special requirements for the design and testing of electrical equipment with "i" (intrinsic safety) protection type for use in hazardous areas.

A circuit is "intrinsically safe" when, under normal operating conditions and in the event of specific fault conditions, no sparks or thermal effects can occur and cause the ignition of a certain explosive atmosphere.

A distinction is made here between:

- intrinsically safe electrical equipment when all circuits are intrinsically safe
- associated electrical equipment including both intrinsically and non-intrinsically safe circuits, and being designed such that the non-intrinsically safe circuits cannot affect the intrinsically safe ones.

Intrinsically safe electrical equipment and intrinsically safe parts of associated electrical equipment are classified at "ia", "ib" or "ic" protection level.

Electrical equipment classified Ex "ia" must not ignite when current is applied in the following cases:

- During fault-free operation, with those non-discreet faults present that result in the most adverse condition
- During fault-free operation and with a discreet fault, plus those non-discreet faults that result in unfavorable conditions
- During fault-free operation with two discreet faults, plus those non-discreet faults that result in the most adverse conditions.

Electrical equipment classified Ex "ib" must not ignite when current is applied in the following cases:

- During fault-free operation, with those non-discreet faults present that result in the most adverse condition;
- During fault-free operation and with a discreet fault, plus those non-discreet faults that result in unfavorable conditions.

At applied voltages, the intrinsically safe circuits in electrical equipment of protection level "ic" shall not be capable of causing ignition during undisturbed operation and under the conditions specified in this standard.

No special approval is required for terminal blocks used as simple electrical equipment for "Ex i" protection type, as they do not contain a voltage source and precise information is available concerning electrical data and temperature rise performance.

The terminal blocks must be identifiable, for example by their type designation, and the following design requirements must also be upheld:

Clearances and creepage distances between bare conductive parts of terminal blocks of separate intrinsically safe circuits and grounded or floating conductive parts shall be equal to or greater than the values given in Table 5 (see 654). If separate intrinsically safe circuits are to be considered, the air gap between bare conductive parts of the outer connection parts must meet the following requirements:

- at least 6 mm between the separate intrinsically safe circuits
- at least 3 mm from grounded parts, if a possible connection to ground has not been considered in the safety analysis. Each possible motion of metallic parts that are not rigidly secured must be considered.

Terminal block marking must be unique and clearly visible. If a color is used for this, the color must be light blue (similar to RAL 5015).

Note also when using terminal blocks:

Terminal blocks used for intrinsically safe circuits must be isolated from those used in non-intrinsically safe circuits. This is accomplished by several accepted methods. First, intrinsically safe circuits are separated by at least 50 mm of air space from non-intrinsically safe circuits.

Second, intrinsically safe circuits are housed in a separate enclosure. Third, intrinsically safe terminal blocks are separated from non-intrinsically safe terminal blocks by either an insulated partition or grounded metal partition. The partition size must allow for either 1.5 mm or less distance from the sides of the housing or provide at least 50 mm of creepage distance between the intrinsically and non-intrinsically safe circuits in all directions.

The insulation between an intrinsically safe and a non-intrinsically safe circuit has to withstand an effective AC voltage of $2 \times$ nominal value (U) 1000 V or a minimum of 1500 kV, whereby U represents the total of the effective voltages of the intrinsically safe and the non-intrinsically safe circuit.

Short circuit between different intrinsically safe circuits could cause dangerous conditions. The insulation between these circuits should withstand an effective voltage of at least 500 VAC or 2 UAC where U is the total of the effective voltages of the related circuits.

In accordance with EN 60079-14/ DIN VDE 0165-1, in intrinsically safe circuits, the ends of stranded and fine-stranded conductors must be protected against splaying (e.g., via cable lugs or ferrules) or by the type of terminal blocks used. Soldering alone is not sufficient.

WAGO recommends gas-tight tinned copper ferrules or tinned copper pin terminals when connecting fine-stranded conductors to terminal blocks in corrosive atmospheres.

Requirements pertaining to the necessary distances as appropriate for use of the terminal blocks in the area DIN EN 60079-11 (VDE 0170-7) "Explosive atmosphere – Part 11: Device protection by intrinsically safe features "i" (IEC 60079-11)" are defined under Section 6.2 "Connecting point for external circuits," Section 6.2.1 "Terminal blocks." In general, the following can be stated for terminal blocks based on figure 1: "Example of isolated intrinsically safe terminal blocks with partition" in conjunction with figure 2: "Example of isolation of conductive parts," considering Table 5 – "Clearances, Creepage and Isolation Distances."

Outside:

a) Isolated intrinsically safe circuits: at least 6 mm

All PCB terminal blocks listed on the ordering pages as suitable for Ex "i" applications fulfill these requirements.

b) Intrinsically safe circuits and normal circuits (non-intrinsically safe): ≥ 50 mm

Inside:

a) Ex "i" to Ex "i"

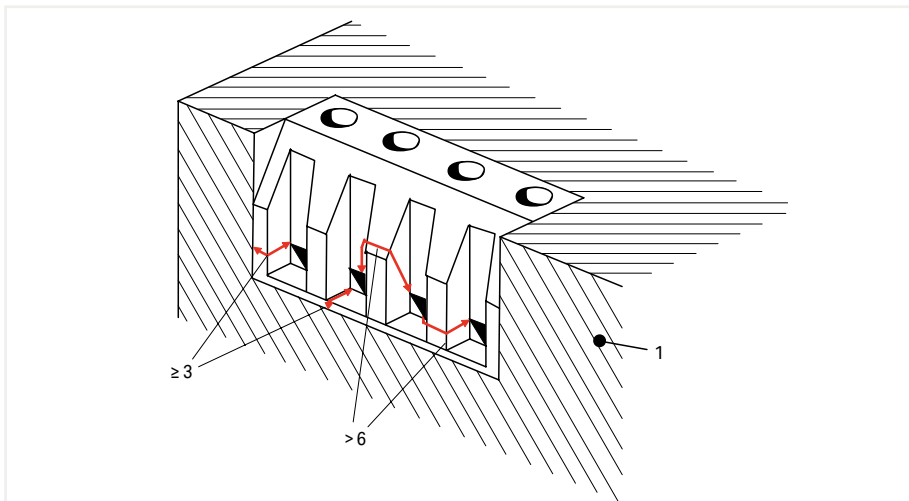
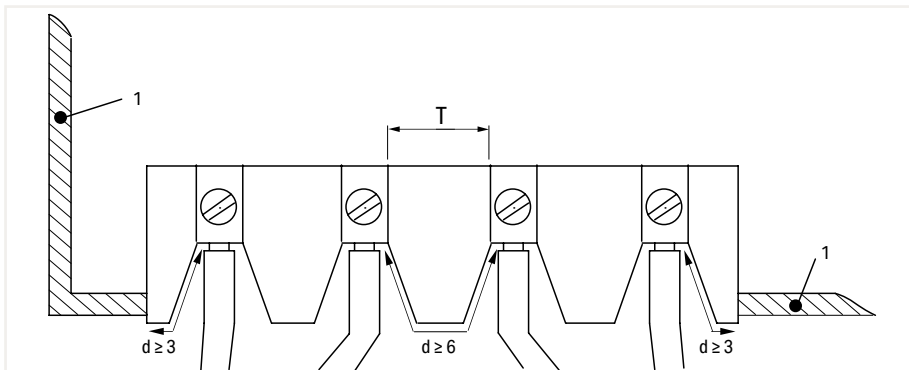
b) Ex "i" to normal circuits

c) Ex "i" to ground

Based on Figure 2 and Table 5 (see next page) in accordance with the selected protection level and the special requirements for isolation distances as described in Sections 6.3.1 to 6.3.13, or in accordance with the alternative procedure for dimensioning of isolation distances given in Annex F.

Terminal blocks with smaller pin spacing may also be used for internal connections, provided they meet the requirements laid out in Table 5 (see below).

The exact clearances and creepage distances as well as separation distances based on Table 5 must be derived from the application items cited above.



Legend:

- 1 Conductive cover
- T Distances based on Table 5
- d Distance at outer connecting parts of the terminal blocks according to 6.2.1

Note:

The dimensions indicated here represent the clearances and creepage distances around the insulation and not the thickness of the insulation.

Dimensions in mm

Figure 1a: Requirements for clearances and creepage distances for terminal blocks with isolated, intrinsically safe circuits

General Technical Information on Electrical Equipment Used in Hazardous Areas Continued

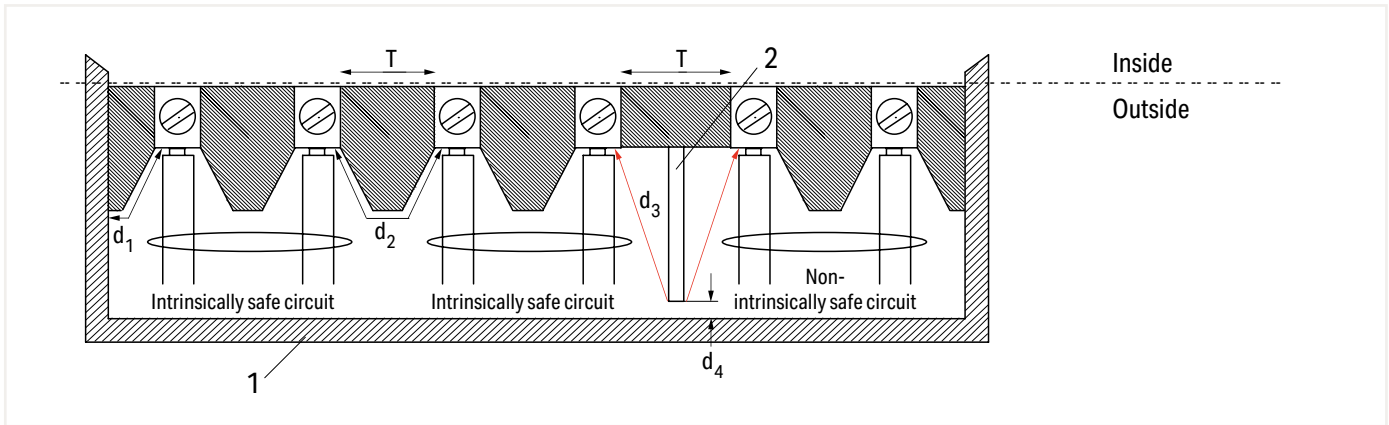


Figure 1b: Example of isolated intrinsically safe and non-intrinsically safe terminal blocks by a partition

Legend:

- 1 Cover: non-conductive or conductive and grounded
- 2 Partition based on 6.2.1 b); in this example, the partition must end at the base
- T Distances based on Table 5
- d1 ≥ 3 mm, when the cover is conductive and grounded
- d2 ≥ 6 mm
- d3 ≥ 50 mm or d4 ≤ 1.5 mm

Note:

The dimensions indicated here represent the clearances around the insulation and not the thickness of the insulation.

Table 5 – Clearances, Creepage and Isolation Distances

1 Voltage (Peak) (V)	2 Clearance (in mm)		3 Separation by Encapsulation (in mm)		4 Separation by Fixed Insulation (in mm)		5 Creepage Distance through Air (in mm)		6 Creepage Distance be- neath Protective Layer (in mm)		7 Comparative Tracking In- dex (CTI)	
	ia, ib	ic	ia, ib	ic	ia, ib	ic	ia, ib	ic	ia, ib	ic	ia	ib, ic
10	1.5	0.4	0.5	0.2	0.5	0.2	1.5	1.0	0.5	0.3	--	
30	2.0	0.8	0.7	0.2	0.5	0.2	2.0	1.3	0.7	0.3	100	100
60	3.0	0.8	1.0	0.3	0.5	0.3	3.0	1.9	1.0	0.6	100	100
90	4.0	0.8	1.3	0.3	0.7	0.3	4.0	2.1	1.3	0.6	100	100
190	5.0	1.5	1.7	0.6	0.8	0.6	8.0	2.5	2.6	1.1	175	175
375	6.0	2.5	2.0	0.6	1.0	0.6	10.0	4.0	3.3	1.7	175	175
550	7.0	4.0	2.4	0.8	1.2	0.8	15.0	6.3	5.0	2.4	275	175
750	8.0	5.0	2.7	0.9	1.4	0.9	18.0	10.0	6.0	2.9	275	175
1000	10.0	7.0	3.3	1.1	1.7	1.1	25.0	12.5	8.3	4.0	275	175
1300	14.0	8.0	4.6	1.7	2.3	1.7	36.0	13.0	12.0	5.8	275	175
1575	16.0	10.0	5.3	*	2.7	*	49.0	15.0	16.3	*	275	175
3.3k	*	18.0	9.0	*	4.5	*	*	32.0	*	*	*	*
4.7k	*	22.0	12.0	*	6.0	*	*	50.0	*	*	*	*
9.5k	*	45.0	20.0	*	10.0	*	*	100.0	*	*	*	*
15.6k	*	70.0	33.0	*	16.5	*	*	150.0	*	*	*	*

Note 1: *At present, no values have been recommended for these voltages.

Note 2: Proof of fulfillment of the CTI requirements for the insulating materials must be provided by the manufacturer. Defining a CTI is not required for insulation materials for voltage levels up to 10 V.

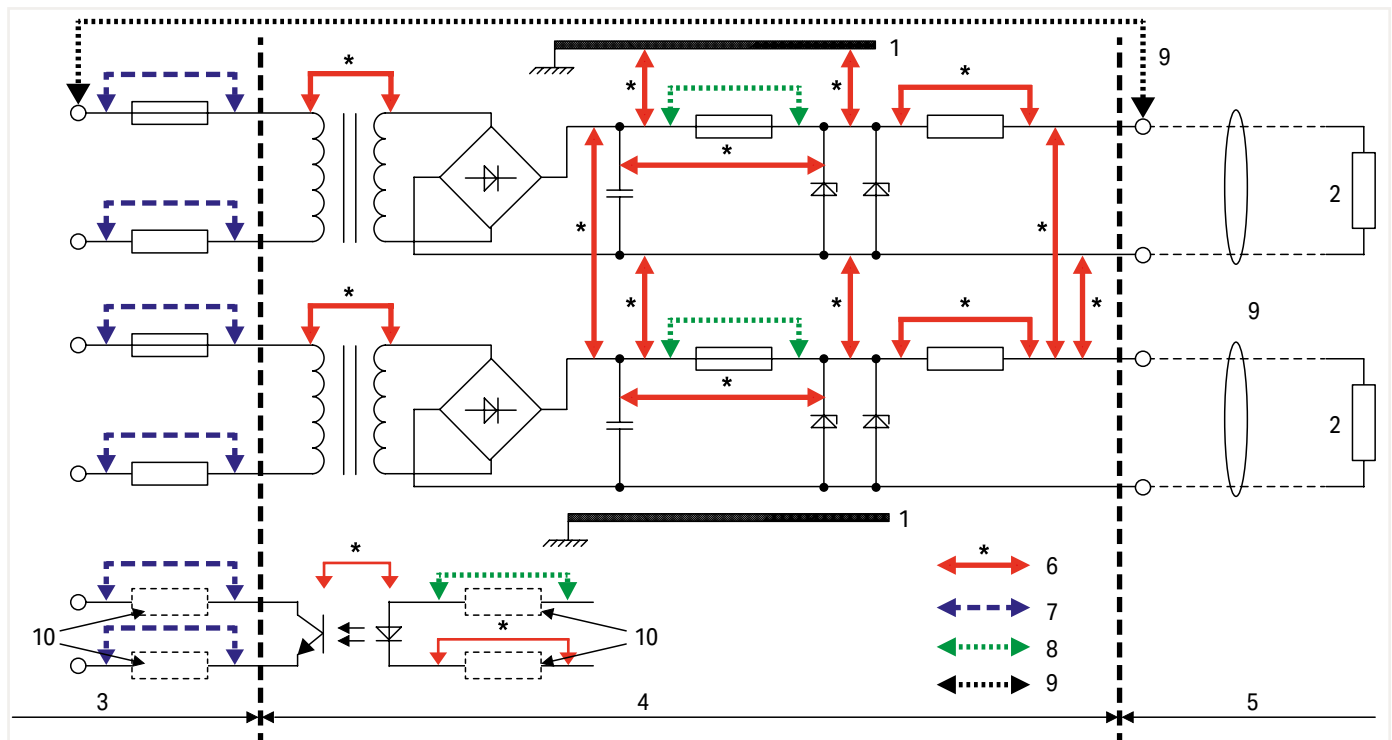


Figure 2: Isolation examples for conductive parts

Legend:

























- 1 Chassis
- 2 Load
- 3 Non-intrinsically safe circuit defined by U_m
- 4 Portion of intrinsically safe circuit, item is not intrinsically safe
- 5 Intrinsically safe circuit
- 6 Dimensions for which Table 5 applies
- 7 Dimensions for which general industrial standards apply
- 8 Dimensions per 7.3
- 9 Dimensions based on 6.2.1 for output terminal blocks between isolated intrinsically safe circuits ($d_2 \geq 6 \text{ mm}$) and between intrinsically safe circuits and non-intrinsically safe circuits ($d_3 \geq 50 \text{ mm}$)
- 10 Where required











In accordance with DIN EN 60079-14 (VDE 0165-1), in intrinsically safe circuits, the ends of stranded and fine-stranded conductors must be protected against splaying (e.g., via cable lugs or ferrules) or by the type of terminal blocks used. Soldering alone is not sufficient.

The conductor entry funnels of WAGO PCB terminal blocks fulfill this requirement.

WAGO recommends gas-tight tinned copper ferrules or tinned copper pin terminals when connecting fine-stranded conductors to terminal blocks in corrosive atmospheres.

International Certification Organizations – Overview

		Abbreviation			Abbreviation
	Underwriters Laboratories USA http://www.ul.com	UL		Danmarks Elektriske Materielkontrol Denmark http://www.demko.dk	DEMKO
	Underwriters Laboratories USA http://www.ul.com	UL		CENELEC CERTIFICATION AGREEMENT Danmarks Elektriske Materielkontrol Denmark http://www.cenelec.org	CCA Zul.-Nr. mit NL
	Underwriters Laboratories USA http://www.ul.com	cURus			
	Underwriters Laboratories USA http://www.ul.com	cULus		SETI – FEMKO Sähkötarastuskeskus Elinspektionscentralen Finland http://www.seti.fi	
	Canadian Standards Association Canada http://www.csa.ca	CSA		Sähkötarastuskeskus Elinspektionscentralen Finland http://www.fimko.com	FIMKO
	VDE-Gutachten mit Fertigungsüberwachung Germany http://www.vde.de/vde/html/e/home.htm	VDE		South African Bureau of Standards South Africa http://www.sabs.co.za	SABS
	VDE – Deutscher Verband für Elektrotechnik Germany http://www.vde.de			RosTest Russia http://www.rostest.ru	ROTEST
VDE	VDE – Prüfbericht Germany			Departamentul Moldovastandard Moldova http://www.moldova.md/ro/government/oil/D_STAND/en/strcent2.htm	CSM
	Österreichischer Verband für Elektrotechnik Austria http://www.ove.at	ÖVE		Certificate of Registration Great Britain http://www.astacertification.com	ASTA
	Schweizerischer Elektrotechnischer Verein Switzerland http://www.sev.ch/	SEV		Rheinisch-Westfälischer Technischer Überwachungsverein e.V. Germany http://www.rwtuv.de	RWTÜV
	N.V. tot Keuring van Elektrotechnische Materialen Netherlands http://www.kema.nl	KEMA		Elektrotechnický výskumný a projektový ústav Czech Republic http://www.ezu.cz	EZU
CCA	CENELEC CERTIFICATION AGREEMENT N.V. tot Keuring van Elektrotechnische Materialen Netherlands http://www.cenelec.org	CCA Zul.-Nr. mit NL		Stowarzyszenie Elektryków Polskich Poland http://www.sep.com.pl	BBJ
	Norges Elektriske Materialkontroll Norway http://express.nemko.com	NEMKO		Stowarzyszenie Elektryków Polskich Poland http://www.bbj.pl	SEP
	Svenska Elektriska Materielkontrollanstalten AB Sweden http://www.semko.com	SEMKO			

		Abbreviation			Abbreviation
CNET	Centre National d'Etudes des Télécommunications France http://www.lannion.cnet.fr	CNET		Robbanásbiztos Villamos Berendezések Hungary http://www.bki.hu	BKI
LCIE	Laboratoire Central des Industries Electriques France http://www.lcie.fr	LCIE	CB	CB – TEST CERTIFICATE India http://www.ul-europe.com	CB
	Fyzikální Technický Ústav, Ostrava-Radvanice Czech Republic http://www.ftzu.cz	FTZU	CB	CB – TEST CERTIFICATE China http://www.ul-europe.com	CB
				http://www.enec.com	ENEC
Marine Approvals			EX Approvals		
BV	Bureau Veritas France http://www.bureauveritas.fr	BV		Physikalisch Technische Bundesanstalt Germany http://www.ptb.de	PTB
	Lloyd's Register of Shipping Great Britain http://www.lloydsregister.com	LR		Underwriters Laboratories USA http://www.ul.com	AEx
	NV – Det Norske Veritas Norway http://www.dnvgl.com	DNV-GL			
	Russian Maritime Register of Shipping GUS http://www.rs-head.spb.ru	RMR			
	Polski Rejestr Statków Poland http://www.prs.pl	PRS			
	Korean Register of Shipping Korea http://www.krs.co.kr	KR			
ABS	American Bureau of Shipping USA http://www.eagle.org	ABS			

Electrical Engineering Laboratory Product Safety for Our Customers

To use terminal blocks globally, they must satisfy certain standards and obtain test certificates. These requirements apply to every manufacturer. WAGO also conducts its own tests to increase standards and offer greater reliability with its products. Products undergo a full range of mechanical, electrical and climatic testing, and we'll share a few of those processes with you.

Pull-Out Test (per EN 60947-7-1, EN 60998-2-2)

During the pull-out force test, a conductor is pulled on until it is removed from the clamping unit. The design of the terminals means that extraction only occurs after the standard pull-out force has been exceeded many times over.

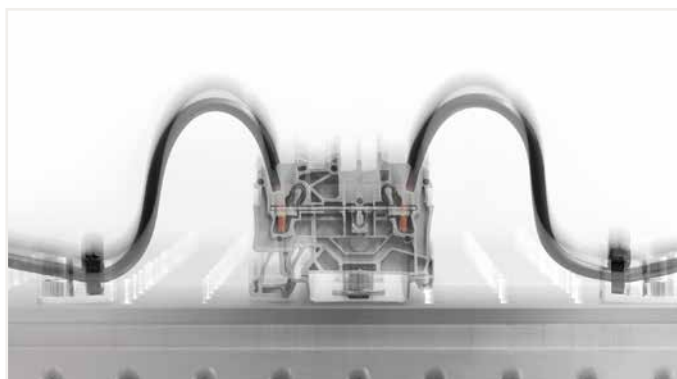
WAGO Test Lab

This means that WAGO's products can be used safely and reliably both in Europe and anywhere globally for a wide variety of applications. We heavily emphasize the importance of global acceptance during development. As a result, we can present documentation that verifies our high levels of product safety and reliability while ensuring the fulfillment and accuracy of technical data, which are the highest priorities for our customers and users worldwide. On December 22, 2009, our test lab was accredited by the German Accreditation Association (Deutsche Gesellschaft für Akkreditierung GmbH) in accordance with DIN EN ISO/IEC 17025.



Vibration Test (per IEC/EN 60068-2-6)

Depending on the application, such as railway (per EN 61373) or marine (per GL, LR, DNV), there are various testing requirements to determine if the long-term effects of vibrations degrade electrical connections. The test specimen is subjected to different loads on three axes in an electrodynamic vibration system. The amplitude, the acceleration, and particularly the frequency of the vibration vary during the test. The test values are increased many times over the standard values to meet special customer requirements.



Shock Test (per IEC/EN 60068-2-27)

The shock test is very similar to the vibration test except that, instead of continuous vibrations, single shocks are applied to the test specimen. Shock tests are usually performed, for example, at an acceleration of 20g over a period of 11 ms. Tests for special requirements often call for much higher values and are also conducted in our laboratory.



Voltage Drop Test under Bending Stress (per WAGO test requirements)

The voltage drop test under bending stress simulates mechanical stress on the clamping unit. In everyday use, this stress can occur during installation, for example, when an electrician shoves connected conductors to the side in order to access a specific component. The quality of the clamping unit when moving a connected conductor can be validated by the constantly stable measured value of the voltage drop.





Deutsche Akkreditierungsstelle GmbH

Beliehene gemäß § 8 Absatz 1 AkkStelleG i.V.m. § 1 Absatz 1 AkkStelleGBV
Unterzeichnerin der Multilateralen Abkommen
von EA, ILAC und IAF zur gegenseitigen Anerkennung

Akkreditierung



Die Deutsche Akkreditierungsstelle GmbH bestätigt hiermit, dass das Prüflaboratorium

WAGO Kontakttechnik GmbH & Co. KG
Hansastraße 27, 32423 Minden

die Kompetenz nach DIN EN ISO/IEC 17025:2005 besitzt, Prüfungen in folgenden Bereichen durchzuführen:

**Elektrische und mechanische Prüfungen an Klemmen und Steckverbinder
sowie Umweltsimulation**

Die Akkreditierungsurkunde gilt nur in Verbindung mit dem Bescheid vom 18.12.2014 mit der Akkreditierungsnummer D-PL-19704-01 und ist gültig bis 17.12.2019. Sie besteht aus diesem Deckblatt, der Rückseite des Deckblatts und der folgenden Anlage mit insgesamt 5 Seiten.

Registrierungsnummer der Urkunde: **D-PL-19704-01-00**

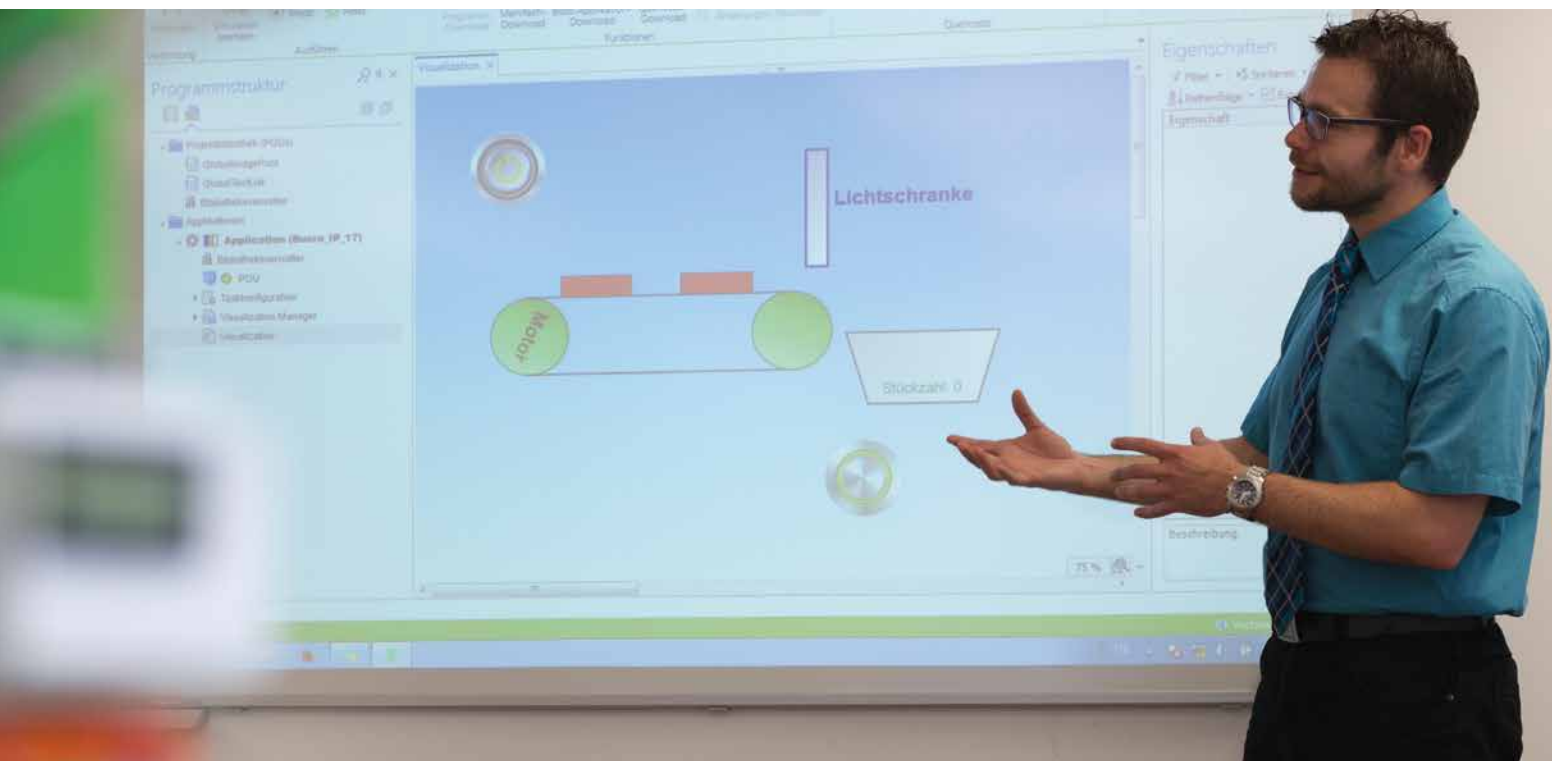
Frankfurt am Main, 18.12.2014


Im Auftrag Dipl.-Ing. (FH) Ralf Egner
Abteilungsleiter

Siehe Hinweise auf der Rückseite

WAGO-Seminars

Learn Today – Benefit Tomorrow



Setting the Bar with Your Goals

Product-Related and Customer-Specific Seminars



Small Groups

The small class sizes of WAGO training seminars ensures that no question goes unanswered and no one is overlooked.



Teamwork

Learning as a group is very effective. Ideas can be discussed and exchanged while experiences can be shared – all for the benefit of the participants.



Practical Topics

Experience has shown that practice makes perfect. This is why the focus of every WAGO training seminar is on practical, hands-on learning.

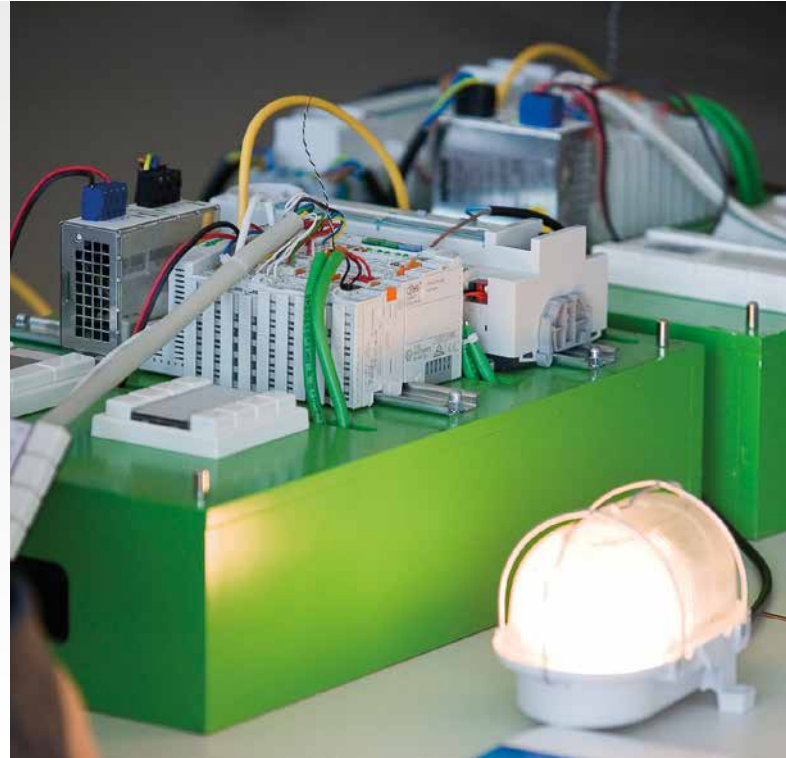
WAGO-Seminars

Experience the Benefits of First-Hand Knowledge and Expertise – Straight from the Source

Our instructors are specialists who know all the ins and outs of WAGO's products. This ensures that the time devoted to each WAGO training seminar is an effective investment in expanding your own expertise.

Request your registration form by email:
training@wago.com

Contact your local
WAGO office.



Product-Related Seminars

We regularly offer product-related seminars on the following topics:

- Building and industrial automation
- Programming of automation components
- Fieldbus systems

Current Seminars at:
www.wago.com

Customer-Specific Training Seminars

In addition to these "open" seminars, we also offer seminars specially tailored to your organization and its particular needs.

Upon request, we can also conduct these courses at your location.

**Special
 Corporate Seminars**



Index and Addresses

Index Addresses

	Page
Product Index	940
Item Number Index	942
WAGO Worldwide	968

Product Index

Item	Page	Item	Page	Item	Page
A		MULTI CONNECTION SYSTEM		- MIDI	
"Alu-Plus" contact paste	883	Marking	337	Separators	352
Angled female connectors		Marking accessories	864	SMD PCB terminal blocks	301
see <i>MULTI CONNECTION SYSTEM (MCS)</i> , 100 %		Marking cards		Snap-in mounting feet, <i>MCS MIDI Classic</i>	
protected against mismatching,		- (Mini-WSB cards) for miniature WAGO Quick Mark-		- 5 mm	563
Classic/Standard version	564	ing System		- 5,08 mm	619
Approvals	932	- Self-adhesive strips, computer marked		- 7,5 mm	655
B		- (WMB cards) for WAGO Multi-Marking System		- 7,62 mm	699
Bus coupler units, for EIB/KNX applications	847	- (WSB cards) for WAGO Quick Marking System	862	Snap-in mounting feet, <i>MCS MIDI</i> , 100 % protected	
C		Marking strips, self-adhesive	864	against mismatching	
Cable cutter	882	Material specifications, for insulation materials,		- 5 mm	482
CE marking	890	contact materials,		- 7,5 mm	522
Coding keys	352	contact plating	920	Solder pin strips	792
Combi PCB terminal blocks	792	Mini-WSB Quick Marking System		Specifications UL – Underwriters Laboratories,	
Combi strips	372	(marking cards)	862	USA	
Comb-style jumper bars	547	Modular terminal blocks and terminal strips		- Tests and test procedures per UL standards	914
Commoning strips, for PCB terminal strips	262	see "Terminal blocks and terminal strips"		Strain relief housings	
Compact PCB connectors	790	see "PCB terminal blocks"		for <i>MCS MINI</i>	410
Connectors		Mounting flange, <i>MCS MIDI</i>		for <i>MCS MIDI</i>	540
- wire-tap branch; 3- and 6-pole (elevator shaft		100 % protected against mismatching		Strain relief plates	
technology)	838	- 5 mm	463	for female and male connectors with <i>CAGE CLAMP®</i>	
- for EIB/KNX applications	846	- 7,5 mm	505	connection for <i>MCS MICRO</i>	343
Crimping tools for ferrules	878	Mounting flange, <i>MCS MIDI Classic</i>		for <i>MCS MINI</i>	418
Current-carrying capacity curves		- 5 mm	562	for <i>MCS MIDI</i>	544
- PCB terminal blocks	20	- 5,08 mm	617	T	
- <i>MULTI CONNECTION SYSTEM</i>	340	- 7,5 mm	652	Technical information	
D		- 7,62 mm	696	General	889
Derating curves		Mounting flange, <i>MCS MINI</i>		Terminal block marking	864
see "Current-carrying capacity curves"		- 3,5 mm	366	Terminal blocks for PCBs	17
<i>MULTI CONNECTION SYSTEM (MCS)</i>		- 3,81 mm	395	Terminal strips for PCBs	
Direct marking		Multilevel PCB terminal strips,		with locking slides,	96
- MICRO	354	Double-, triple-, quadruple-deck terminal blocks	58	double-deck,	58
- MINI	420	<i>MULTI CONNECTION SYSTEM MICRO</i> ,		triple-deck,	66
- MIDI	548	100 % protected against mismatching, pin spacing:		quadruple-deck,	74
- MAXI	784	- 2,5 mm	337	for reflow soldering,	267
Disconnection tool	872	- 2,5 mm Reflow-Technik	348	with finger-operated levers,	110
Double-deck terminal strips, for PCBs	58	<i>MULTI CONNECTION SYSTEM MIDI</i> ,		1-conductor,	18
Double-pin male connectors		Pin spacing:		2-conductor	243
see <i>MULTI CONNECTION SYSTEM MIDI</i>		- 5 mm	560	Test and disconnect terminal blocks	
E		- 5,08 mm	614	see "Disconnect and test terminal blocks"	
Electrical tests, environmental tests,		- 7,5 mm	652	Test plug adapter for <i>MCS MIDI</i>	539
mechanical tests, material tests	862	- 7,62 mm	696	Test plug modules with	
F		<i>MULTI CONNECTION SYSTEM MINI</i> ,		<i>CAGE CLAMP®</i> connection	260
Felt-tip pen	862	100 % protected against mismatching, pin spacing:		Test pin	886
Female connectors, see <i>MULTI CONNECTION</i>		- 3,5 mm	360	Tests and testing procedures	894
<i>SYSTEM</i>		- 3,5 mm, Reflow-Technik	386	Triple-deck terminal strips, for PCBs	66
Feedthrough terminal strips		- 3,81 mm	390	U	
- for PCBs	818	- 3,81 mm, Reflow-Technik	410	UL Specifications – Underwriters Laboratories,	
with threaded flanges		- MINI HD	425	USA	914
- MINI	361	- MINI SL	449	V	
- MIDI	616	<i>MULTI CONNECTION SYSTEM-MIDI, accessories</i>	538	Voltage tester	884
in tape-and-reel packaging (THR)		O		W	
- GDS	267	Operating levers	352	WAGO	
- <i>MCS</i>	348	Operating stickers	867	- worldwide	968
H		Operating tools	870	Wire-tap branch connectors	
High-current connectors	749	P		(e.g., for elevator shaft technology)	836
High-current PCB terminal blocks	147	PCB panel feedthrough headers		WMB Multi Marking System	862
I		see <i>MULTI CONNECTION SYSTEM (MCS)</i>	838	WSB Quick Marking System	862
IEC/EN specifications	892	Plugs for elevator shaft technology		U	
Insulation stops	541	<i>PUSH WIRE®</i> connection	216	V	
L		Q		W	
Lockout caps	541	Quadruple-deck terminal blocks, for PCBs	74	WAGO	
Loss of pin spacing	561	R		- worldwide	968
M		Reel (THR)		Wire-tap branch connectors	
Male headers for double-deck assembly,		- GDS	267	(e.g., for elevator shaft technology)	836
<i>MULTI CONNECTION SYSTEM (MCS)</i>	591	- <i>MCS</i>	349	WMB Multi Marking System	862
Male connectors/headers		Reflow soldering: PCB terminal blocks	268	WSB Quick Marking System	862
N		S		U	
O		Sales regions, worldwide	968	V	
P		Screwdrivers		W	
Q		see "Operating tools"		X	
R		Screw-type flanges		Y	
S		- MINI	361	Z	

Item	Page	Item	Page	Item	Page

Item Number Index

Item No.	Page	Item No.	Page	Item No.	Page	Item No.	Page
206 Series		210 Series		218 Series		231 Series	
206-118	882	210-332/575-103	865	218-105/000-604/997-405	295	231-102/031-000	562
206-706	885	210-332/700-102	865	218-106	97	231-102/037-000	562
206-707	885	210-332/700-103	865	218-106/000-604	295	231-102/102-000	561
206-804	884	210-332/750-020	865	218-106/000-604/997-405	295	231-103/008-000	563
206-808	885	210-332/762-020	865	218-107	97	231-103/026-000	561
206-810	884	210-332/1000-202	866	218-107/000-604	295	231-103/031-000	562
206-811	876	210-332/1000-204	866	218-107/000-604/997-405	295	231-103/037-000	562
206-830	872	210-332/1000-206	866	218-108	97	231-103/102-000	561
206-831	871	210-332/1016-202	866	218-109	97	231-104/008-000	563
206-841	872	210-332/1016-204	866	218-110	97	231-104/026-000	561
206-859	334	210-332/1016-206	866	218-111	97	231-104/031-000	562
206-860	299	210-334	866	218-112	97	231-104/037-000	562
206-861	299	210-334/762-202	866	218-113	97	231-104/102-000	561
		210-406	867	218-114	97	231-105/008-000	563
		210-416	867	218-115	97	231-105/026-000	561
		210-493	867	218-116	97	231-105/031-000	562
209 Series		210-533	857	218-117	97	231-105/037-000	562
209-120	546	210-647	870	218-118	97	231-105/102-000	561
209-130	539	210-648	870	218-119	97	231-106/008-000	563
209-132	539	210-657	870	218-120	97	231-106/026-000	561
209-137	546	210-658	870	218-121	97	231-106/027-000	562
209-147	869	210-719	870	218-122	97	231-106/031-000	562
209-148	547	210-720	870	218-123	97	231-106/037-000	562
209-172	418	210-721	870	218-124	97	231-106/102-000	561
209-173	545	210-722	870	218-502	97	231-107/008-000	563
209-174	545			218-502/000-604	296	231-107/026-000	561
209-176	545			218-502/000-604/997-403	296	231-107/027-000	562
209-177	418			218-503	97	231-107/031-000	562
		216 Series		218-503/000-604	296	231-107/037-000	562
		216-101	879	218-503/000-604/997-405	296	231-107/102-000	561
		216-102	879	218-504	97	231-108/008-000	563
		216-103	879	218-504/000-604	296	231-108/026-000	561
		216-104	879	218-504/000-604/997-405	296	231-108/027-000	562
		216-106	879	218-505	97	231-108/031-000	562
		216-107	879	218-505/000-604	296	231-108/037-000	562
		216-108	879	218-505/000-604/997-405	296	231-108/102-000	561
		216-109	879	218-506	97	231-109/008-000	563
		216-110	879	218-506/000-604	296	231-109/026-000	561
		216-121	879	218-506/000-604/997-405	296	231-109/027-000	562
		216-122	879	218-507	97	231-109/031-000	562
		216-123	879	218-507/000-604	296	231-109/037-000	562
		216-124	879	218-507/000-604/997-405	296	231-109/102-000	561
		216-131	879	218-508	97	231-110/008-000	563
		216-132	879	218-509	97	231-110/026-000	561
		216-151	879	218-510	97	231-110/027-000	562
		216-152	879	218-511	97	231-110/031-000	562
		216-201	879	218-512	97	231-110/037-000	562
		216-202	879	218-513	97	231-110/102-000	561
		216-203	879	218-514	97	231-111/008-000	563
		216-204	879	218-515	97	231-111/026-000	561
		216-205	879	218-516	97	231-111/027-000	562
		216-206	879	218-517	97	231-111/031-000	562
		216-207	879	218-518	97	231-111/037-000	562
		216-208	879	218-519	97	231-111/102-000	561
		216-209	879	218-520	97	231-112/008-000	563
		216-210	879	218-521	97	231-112/026-000	561
		216-221	879	218-522	97	231-112/027-000	562
		216-222	879	218-523	97	231-112/031-000	562
		216-223	879	218-524	97	231-112/037-000	562
		216-224	879			231-112/102-000	561
		216-301	879			231-113/008-000	563
		216-302	879	226 Series		231-113/026-000	561
		216-321	879	226-101	809	231-113/027-000	562
		216-322	879	226-102	807	231-113/031-000	562
		216-413	881	226-103	813	231-113/037-000	562
		216-414	881	226-104	809	231-113/102-000	561
		216-424	881	226-107	811	231-114/008-000	563
		216-425	881	226-108	815	231-114/026-000	561
		216-435	881	226-109	807	231-114/027-000	562
				226-110	807	231-114/031-000	562
		218 Series		226-111	809	231-114/037-000	562
		218-102	97	226-112	807	231-114/102-000	561
		218-102/000-604	295	226-113	813	231-115/008-000	563
		218-102/000-604/997-403	295	226-114	809	231-115/026-000	561
		218-103	97	226-119	807	231-115/027-000	562
		218-103/000-604	295	226-120	807	231-115/031-000	562
		218-103/000-604/997-405	295			231-115/037-000	562
		218-104	97	231 Series		231-115/102-000	561
		218-104/000-604	295	231-100	260	231-116/008-000	563
		218-104/000-604/997-405	295	231-102/008-000	563	231-116/026-000	561
		218-105	97	231-102/026-000	561	231-116/027-000	562
		218-105/000-604	295				

Item No.	Page
231 Series	
231-116/031-000	562
231-116/037-000	562
231-116/102-000	561
231-117/008-000	563
231-117/026-000	561
231-117/027-000	562
231-117/031-000	562
231-117/037-000	562
231-117/102-000	561
231-118/008-000	563
231-118/026-000	561
231-118/027-000	562
231-118/031-000	562
231-118/037-000	562
231-118/102-000	561
231-119/008-000	563
231-119/026-000	561
231-119/027-000	562
231-119/031-000	562
231-119/037-000	562
231-119/102-000	561
231-120/008-000	563
231-120/026-000	561
231-120/027-000	562
231-120/031-000	562
231-120/037-000	562
231-121/008-000	563
231-121/026-000	561
231-121/027-000	562
231-121/031-000	562
231-121/037-000	562
231-121/102-000	561
231-122/008-000	563
231-122/026-000	561
231-122/027-000	562
231-122/031-000	562
231-122/037-000	562
231-122/102-000	561
231-123/008-000	563
231-123/026-000	561
231-123/027-000	562
231-123/031-000	562
231-123/037-000	562
231-123/102-000	561
231-124/008-000	563
231-124/026-000	561
231-124/027-000	562
231-124/031-000	562
231-124/037-000	562
231-124/102-000	561
231-125	260
231-126	260
231-127	260
231-128	260
231-129	540
231-130	540
231-131	724
231-132/001-000	587
231-132/001-000/105-604	600
231-132/001-000/105-604/997-405	600
231-132/040-000	588
231-133/001-000	587
231-133/001-000/105-604	600
231-133/001-000/105-604/997-405	600
231-133/040-000	588
231-134/001-000	587
231-134/001-000/105-604	600
231-134/001-000/105-604/997-407	600
231-135/001-000	587
231-135/001-000/105-604	600
231-135/001-000/105-604/997-407	600
231-135/040-000	588
231-136/001-000	587
231-136/001-000/105-604	600
231-136/001-000/105-604/997-407	600
231-136/040-000	588
231-137/001-000	587
231-137/001-000/105-604	600
231-137/001-000/105-604/997-407	600
231-138/001-000	587
231-138/001-000/105-604	600

Item No.	Page
231 Series	
231-138/001-000/105-604/997-407	600
231-139/001-000	587
231-139/001-000/105-604	600
231-139/001-000/105-604/997-409	600
231-140/001-000	587
231-140/001-000/105-604	600
231-140/001-000/105-604/997-409	600
231-141/001-000	587
231-141/001-000/105-604	600
231-141/001-000/105-604/997-409	600
231-142/001-000	587
231-142/001-000/105-604	600
231-142/001-000/105-604/997-409	600
231-143/001-000	587
231-144/001-000	587
231-144/040-000	588
231-145/001-000	587
231-147/001-000	587
231-148/001-000	587
231-149/001-000	587
231-150/001-000	587
231-151/001-000	587
231-152/001-000	587
231-153/001-000	587
231-154/001-000	587
231-155	261
231-159	538
231-160	540
231-161	260
231-162/001-000	593
231-162/001-000/105-604	604
231-162/001-000/105-604/997-405	604
231-162/003-000	613
231-162/040-000	594
231-163/001-000	593
231-163/001-000/105-604	604
231-163/003-000	613
231-163/040-000	594
231-164/001-000	593
231-164/001-000/105-604	604
231-164/001-000/105-604/997-407	604
231-164/003-000	613
231-165/001-000	593
231-165/001-000/105-604	604
231-165/001-000/105-604/997-407	604
231-165/003-000	613
231-165/040-000	594
231-166/001-000	593
231-166/001-000/105-604	604
231-166/001-000/105-604/997-407	604
231-166/003-000	613
231-166/040-000	594
231-167/001-000	593
231-167/001-000/105-604	604
231-167/001-000/105-604/997-407	604
231-167/003-000	613
231-168/001-000	593
231-168/001-000/105-604	604
231-168/001-000/105-604/997-407	604
231-168/003-000	613
231-169/001-000	593
231-169/001-000/105-604	604
231-169/001-000/105-604/997-409	604
231-169/003-000	613
231-170/001-000	593
231-170/001-000/105-604	604
231-170/001-000/105-604/997-409	604
231-170/003-000	613
231-171/001-000	593
231-171/001-000/105-604	604
231-171/001-000/105-604/997-409	604
231-171/003-000	613
231-172/001-000	593
231-172/001-000/105-604	604
231-172/001-000/105-604/997-409	604
231-172/003-000	613
231-173/001-000	593
231-174/001-000	593
231-174/040-000	594
231-175/001-000	593

Item No.	Page
231 Series	
231-176/001-000	593
231-177/001-000	593
231-178/001-000	593
231-179/001-000	593
231-180/001-000	593
231-181/001-000	593
231-182/001-000	593
231-183/001-000	593
231-184/001-000	593
231-193	541
231-194	546
231-195	541
231-202/008-000	654
231-202/026-000	653
231-202/031-000	653
231-203/008-000	654
231-203/026-000	653
231-203/031-000	653
231-203/037-000	653
231-204/008-000	654
231-204/026-000	653
231-204/031-000	653
231-204/037-000	653
231-205/008-000	654
231-205/026-000	653
231-205/031-000	653
231-205/037-000	653
231-206/008-000	654
231-206/026-000	653
231-206/027-000	654
231-206/031-000	653
231-206/037-000	653
231-207/008-000	654
231-207/026-000	653
231-207/027-000	654
231-207/031-000	653
231-207/037-000	653
231-208/008-000	654
231-208/026-000	653
231-208/027-000	654
231-208/031-000	653
231-208/037-000	653
231-209/008-000	654
231-209/026-000	653
231-209/027-000	654
231-209/031-000	653
231-209/037-000	653
231-210/008-000	654
231-210/026-000	653
231-210/027-000	654
231-210/031-000	653
231-210/037-000	653
231-211/008-000	654
231-211/026-000	653
231-211/027-000	654
231-211/031-000	653
231-211/037-000	653
231-212/008-000	654
231-212/026-000	653
231-212/027-000	654
231-212/031-000	653
231-212/037-000	653
231-213/008-000	654
231-213/026-000	653
231-213/027-000	654
231-213/031-000	653
231-213/037-000	653
231-216/008-000	654
231-216/026-000	653
231-216/027-000	654
231-216/031-000	653
231-216/037-000	653
231-231	538
231-232/001-000	679
231-232/001-000/105-604	688
231-232/001-000/105-604/997-405	688
231-233/001-000	679
231-233/001-000/105-604	688
231-233/001-000/105-604/997-407	688
231-234/001-000	679

Item No.	Page
231 Series	
231-234/001-000/105-604	688
231-234/001-000/105-604/997-407	688
231-235/001-000	679
231-235/001-000/105-604	688
231-235/001-000/105-604/997-407	688
231-236/001-000	679
231-236/001-000/105-604	688
231-236/001-000/105-604/997-409	688
231-237/001-000	679
231-237/001-000/105-604	688
231-237/001-000/105-604/997-409	688
231-238/001-000	679
231-238/001-000/105-604	688
231-238/001-000/105-604/997-409	688
231-239/001-000	679
231-239/001-000/105-604	688
231-239/001-000/105-604/997-409	688
231-240/001-000	679
231-240/001-000/105-604	688
231-240/040-000	680
231-241/001-000	679
231-241/001-000/105-604	688
231-242/001-000	679
231-242/001-000/105-604	688
231-243/001-000	679
231-246/001-000	679
231-262/001-000	683
231-262/001-000/105-604	692
231-262/001-000/105-604/997-405	692
231-263/001-000	683
231-263/001-000/105-604	692
231-263/001-000/105-604/997-407	692
231-264/001-000	683
231-264/001-000/105-604	692
231-264/001-000/105-604/997-407	692
231-265/001-000	683
231-265/001-000/105-604	692
231-265/001-000/105-604/997-407	692
231-266/001-000	683
231-266/001-000/105-604	692
231-266/001-000/105-604/997-409	692
231-267/001-000	683
231-267/001-000/105-604	692
231-267/001-000/105-604/997-409	692
231-268/001-000	683
231-268/001-000/105-604	692
231-268/001-000/105-604/997-409	692
231-269/001-000	683
231-269/001-000/105-604	692
231-269/001-000/105-604/997-409	692
231-270/001-000	683
231-270/001-000/105-604	692
231-270/040-000	684
231-271/001-000	683
231-271/001-000/105-604	692
231-272/001-000	683
231-272/001-000/105-604	692
231-273/001-000	683
231-276/001-000	683
231-291	538
231-295	869
231-300	260
231-302/008-000	619
231-302/026-000	615
231-302/031-000	617
231-302/037-000	616
231-302/102-000	615
231-302/107-000	616
231-303/008-000	619
231-303/026-000	615
231-303/031-000	617
231-303/037-000	616
231-303/102-000	615
231-303/107-000	616
231-304/008-000	619
231-304/026-000	615
231-304/031-000	617
231-304/037-000	616
231-304/102-000	615
231-304/107-000	616
231-305/008-000	619

Item Number Index

Item No.	Page	Item No.	Page	Item No.	Page	Item No.	Page
231 Series		231 Series		231 Series		231 Series	
231-305/026-000	615	231-317/026-000	615	231-353/001-000	641	231-446/001-000	587
231-305/031-000	617	231-317/027-000	618	231-354/001-000	641	231-447/001-000	587
231-305/037-000	616	231-317/031-000	617	231-362/001-000	647	231-448/001-000	587
231-305/102-000	615	231-317/037-000	616	231-362/108-000	648	231-449/001-000	587
231-305/107-000	616	231-317/102-000	615	231-363/001-000	647	231-450/001-000	587
231-306/008-000	619	231-318/008-000	619	231-363/108-000	648	231-451/001-000	587
231-306/026-000	615	231-318/026-000	615	231-364/001-000	647	231-452/001-000	587
231-306/027-000	618	231-318/027-000	618	231-364/108-000	648	231-453/001-000	587
231-306/031-000	617	231-318/031-000	617	231-365/001-000	647	231-454/001-000	587
231-306/037-000	616	231-318/037-000	616	231-365/108-000	648	231-455	261
231-306/102-000	615	231-318/102-000	615	231-366/001-000	647	231-456	261
231-306/107-000	616	231-319/008-000	619	231-366/108-000	648	231-462/001-000	593
231-307/008-000	619	231-319/026-000	615	231-367/001-000	647	231-462/001-000/105-604	603
231-307/026-000	615	231-319/027-000	618	231-367/108-000	648	231-462/001-000/105-604/997-405	603
231-307/027-000	618	231-319/031-000	617	231-368/001-000	647	231-462/040-000	593
231-307/031-000	617	231-319/037-000	616	231-368/108-000	648	231-463/001-000	593
231-307/037-000	616	231-319/102-000	615	231-369/001-000	647	231-463/001-000/105-604	603
231-307/102-000	615	231-320/008-000	619	231-369/108-000	648	231-463/001-000/105-604/997-405	603
231-307/107-000	616	231-320/026-000	615	231-370/001-000	647	231-463/040-000	593
231-308/008-000	619	231-320/027-000	618	231-370/108-000	648	231-464/001-000	593
231-308/026-000	615	231-320/031-000	617	231-371/001-000	647	231-464/001-000/105-604	603
231-308/027-000	618	231-320/037-000	616	231-372/001-000	647	231-464/001-000/105-604/997-407	603
231-308/031-000	617	231-320/102-000	615	231-372/108-000	648	231-465/001-000	593
231-308/037-000	616	231-321/008-000	619	231-373/001-000	647	231-465/001-000/105-604	603
231-308/102-000	615	231-321/026-000	615	231-374/001-000	647	231-465/001-000/105-604/997-407	603
231-308/107-000	616	231-321/027-000	618	231-374/108-000	648	231-465/040-000	593
231-309/008-000	619	231-321/031-000	617	231-375/001-000	647	231-466/001-000	593
231-309/026-000	615	231-321/037-000	616	231-375/108-000	648	231-466/001-000/105-604	603
231-309/027-000	618	231-321/102-000	615	231-376/001-000	647	231-466/001-000/105-604/997-407	603
231-309/031-000	617	231-322/008-000	619	231-376/108-000	648	231-466/040-000	593
231-309/037-000	616	231-322/026-000	615	231-377/001-000	647	231-467/001-000	593
231-309/102-000	615	231-322/027-000	618	231-378/001-000	647	231-467/001-000/105-604	603
231-309/107-000	616	231-322/031-000	617	231-379/001-000	647	231-467/001-000/105-604/997-407	603
231-310/008-000	619	231-322/037-000	616	231-380/001-000	647	231-468/001-000	593
231-310/026-000	615	231-322/102-000	615	231-381/001-000	647	231-468/001-000/105-604	603
231-310/027-000	618	231-323/008-000	619	231-382/001-000	647	231-468/001-000/105-604/997-407	603
231-310/031-000	617	231-323/026-000	615	231-383/001-000	647	231-469/001-000	593
231-310/037-000	616	231-323/027-000	618	231-384/001-000	647	231-469/001-000/105-604	603
231-310/102-000	615	231-323/031-000	617	231-393	541	231-469/001-000/105-604/997-409	603
231-310/107-000	616	231-323/037-000	616	231-426	260	231-470/001-000	593
231-311/008-000	619	231-323/102-000	615	231-432/001-000	587	231-470/001-000/105-604	603
231-311/026-000	615	231-324/008-000	619	231-432/001-000/105-604	599	231-470/001-000/105-604/997-409	603
231-311/027-000	618	231-324/026-000	615	231-432/001-000/105-604/997-405	599	231-471/001-000	593
231-311/031-000	617	231-324/027-000	618	231-432/040-000	587	231-471/001-000/105-604	603
231-311/037-000	616	231-324/031-000	617	231-433/001-000	587	231-471/001-000/105-604/997-409	603
231-311/102-000	615	231-324/037-000	616	231-433/001-000/105-604	599	231-472/001-000	593
231-312/008-000	619	231-324/102-000	615	231-433/001-000/105-604/997-405	599	231-472/001-000/105-604	603
231-312/026-000	615	231-332/001-000	641	231-433/040-000	587	231-472/001-000/105-604/997-409	603
231-312/027-000	618	231-332/108-000	642	231-434/001-000	587	231-473/001-000	593
231-312/031-000	617	231-333/001-000	641	231-434/001-000/105-604	599	231-474/001-000	593
231-312/037-000	616	231-333/108-000	642	231-434/001-000/105-604/997-407	599	231-474/040-000	593
231-312/102-000	615	231-334/001-000	641	231-435/001-000	587	231-475/001-000	593
231-312/107-000	616	231-334/108-000	642	231-435/001-000/105-604	599	231-476/001-000	593
231-313/008-000	619	231-335/001-000	641	231-435/001-000/105-604/997-407	599	231-477/001-000	593
231-313/026-000	615	231-335/108-000	642	231-435/040-000	587	231-478/001-000	593
231-313/027-000	618	231-336/001-000	641	231-436/001-000	587	231-479/001-000	593
231-313/031-000	617	231-336/108-000	642	231-436/001-000/105-604	599	231-480/001-000	593
231-313/037-000	616	231-337/001-000	641	231-436/001-000/105-604/997-407	599	231-481/001-000	593
231-313/102-000	615	231-337/108-000	642	231-436/040-000	587	231-482/001-000	593
231-314/008-000	619	231-338/001-000	641	231-437/001-000	587	231-483/001-000	593
231-314/026-000	615	231-338/108-000	642	231-437/001-000/105-604	599	231-484/001-000	593
231-314/027-000	618	231-339/001-000	641	231-437/001-000/105-604/997-407	599	231-500	540
231-314/031-000	617	231-339/108-000	642	231-438/001-000	587	231-532/001-000	641
231-314/037-000	616	231-340/001-000	641	231-438/001-000/105-604	599	231-532/108-000	641
231-314/102-000	615	231-340/108-000	642	231-438/001-000/105-604/997-407	599	231-533/001-000	641
231-314/107-000	616	231-341/001-000	641	231-439/001-000	587	231-533/108-000	641
231-315/008-000	619	231-342/001-000	641	231-439/001-000/105-604	599	231-534/001-000	641
231-315/026-000	615	231-342/108-000	642	231-439/001-000/105-604/997-409	599	231-534/108-000	641
231-315/027-000	618	231-343/001-000	641	231-440/001-000	587	231-535/001-000	641
231-315/031-000	617	231-344/001-000	641	231-440/001-000/105-604	599	231-535/108-000	641
231-315/037-000	616	231-344/108-000	642	231-440/001-000/105-604/997-409	599	231-536/001-000	641
231-315/102-000	615	231-345/001-000	641	231-441/001-000	587	231-536/108-000	641
231-315/107-000	616	231-345/108-000	642	231-441/001-000/105-604	599	231-537/001-000	641
231-316/008-000	619	231-346/001-000	641	231-441/001-000/105-604/997-409	599	231-537/108-000	641
231-316/026-000	615	231-346/108-000	642	231-442/001-000	587	231-538/001-000	641
231-316/027-000	618	231-347/001-000	641	231-442/001-000/105-604	599	231-538/108-000	641
231-316/031-000	617	231-348/001-000	641	231-442/001-000/105-604/997-409	599	231-539/001-000	641
231-316/037-000	616	231-349/001-000	641	231-443/001-000	587	231-539/108-000	641
231-316/102-000	615	231-350/001-000	641	231-444/001-000	587	231-540/001-000	641
231-316/107-000	616	231-351/001-000	641	231-444/040-000	587	231-540/108-000	641
231-317/008-000	619	231-352/001-000	641	231-445/001-000	587	231-541/001-000	641

Item No.	Page	Item No.	Page	Item No.	Page	Item No.	Page
231 Series							
231-542/001-000	641	231-606/023-000	827	231-623/114-000	578	231-641/023-000	829
231-542/108-000	641	231-606/114-000	578	231-624	577	231-641/114-000	632
231-543/001-000	641	231-607	577	231-624/018-000	579	231-642	631
231-544/001-000	641	231-607/017-000	827	231-624/019-000	577	231-642/017-000	829
231-544/108-000	641	231-607/018-000	579	231-624/114-000	578	231-642/018-000	633
231-545/001-000	641	231-607/019-000	577	231-632	631	231-642/019-000	631
231-545/108-000	641	231-607/023-000	827	231-632/017-000	829	231-642/023-000	829
231-546/001-000	641	231-607/114-000	578	231-632/018-000	633	231-642/109-000	631
231-546/108-000	641	231-608	577	231-632/019-000	631	231-642/114-000	632
231-547/001-000	641	231-608/017-000	827	231-632/023-000	829	231-642/129-000	633
231-548/001-000	641	231-608/018-000	579	231-632/109-000	631	231-643	631
231-549/001-000	641	231-608/019-000	577	231-632/114-000	632	231-643/018-000	633
231-550/001-000	641	231-608/023-000	827	231-632/129-000	633	231-643/019-000	631
231-551/001-000	641	231-608/114-000	578	231-633	631	231-643/114-000	632
231-552/001-000	641	231-609	577	231-633/017-000	829	231-644	631
231-553/001-000	641	231-609/017-000	827	231-633/018-000	633	231-644/018-000	633
231-554/001-000	641	231-609/018-000	579	231-633/019-000	631	231-644/019-000	631
231-562/001-000	647	231-609/019-000	577	231-633/023-000	829	231-644/109-000	631
231-562/108-000	647	231-609/023-000	827	231-633/109-000	631	231-644/114-000	632
231-563/001-000	647	231-609/114-000	578	231-633/114-000	632	231-644/129-000	633
231-563/108-000	647	231-610	577	231-633/129-000	633	231-645	631
231-564/001-000	647	231-610/017-000	827	231-634	631	231-645/018-000	633
231-564/108-000	647	231-610/018-000	579	231-634/017-000	829	231-645/019-000	631
231-565/001-000	647	231-610/019-000	577	231-634/018-000	633	231-645/109-000	631
231-565/108-000	647	231-610/023-000	827	231-634/019-000	631	231-645/114-000	632
231-566/001-000	647	231-610/114-000	578	231-634/023-000	829	231-645/129-000	633
231-566/108-000	647	231-611	577	231-634/109-000	631	231-646	631
231-567/001-000	647	231-611/017-000	827	231-634/114-000	632	231-646/018-000	633
231-567/108-000	647	231-611/018-000	579	231-634/129-000	633	231-646/019-000	631
231-568/001-000	647	231-611/019-000	577	231-635	631	231-646/109-000	631
231-568/108-000	647	231-611/023-000	827	231-635/017-000	829	231-646/114-000	632
231-569/001-000	647	231-611/114-000	578	231-635/018-000	633	231-646/129-000	633
231-569/108-000	647	231-612	577	231-635/019-000	631	231-647	631
231-570/001-000	647	231-612/017-000	827	231-635/023-000	829	231-647/018-000	633
231-570/108-000	647	231-612/018-000	579	231-635/109-000	631	231-647/019-000	631
231-571/001-000	647	231-612/019-000	577	231-635/114-000	632	231-647/114-000	632
231-572/001-000	647	231-612/023-000	827	231-635/129-000	633	231-648	631
231-572/108-000	647	231-612/114-000	578	231-636	631	231-648/018-000	633
231-573/001-000	647	231-613	577	231-636/017-000	829	231-648/019-000	631
231-574/001-000	647	231-613/018-000	579	231-636/018-000	633	231-648/114-000	632
231-574/108-000	647	231-613/019-000	577	231-636/019-000	631	231-649	631
231-575/001-000	647	231-613/114-000	578	231-636/023-000	829	231-649/018-000	633
231-575/108-000	647	231-614	577	231-636/109-000	631	231-649/019-000	631
231-576/001-000	647	231-614/018-000	579	231-636/114-000	632	231-649/114-000	632
231-576/108-000	647	231-614/019-000	577	231-636/129-000	633	231-650	631
231-577/001-000	647	231-614/114-000	578	231-637	631	231-650/018-000	633
231-578/001-000	647	231-615	577	231-637/017-000	829	231-650/019-000	631
231-579/001-000	647	231-615/018-000	579	231-637/018-000	633	231-650/114-000	632
231-580/001-000	647	231-615/019-000	577	231-637/019-000	631	231-651	631
231-581/001-000	647	231-615/114-000	578	231-637/023-000	829	231-651/018-000	633
231-582/001-000	647	231-616	577	231-637/109-000	631	231-651/019-000	631
231-583/001-000	647	231-616/018-000	579	231-637/114-000	632	231-651/114-000	632
231-584/001-000	647	231-616/019-000	577	231-637/129-000	633	231-652	631
231-602	577	231-616/114-000	578	231-638	631	231-652/018-000	633
231-602/017-000	827	231-617	577	231-638/017-000	829	231-652/019-000	631
231-602/018-000	579	231-617/018-000	579	231-638/018-000	633	231-652/114-000	632
231-602/019-000	577	231-617/019-000	577	231-638/019-000	631	231-653	631
231-602/023-000	827	231-617/114-000	578	231-638/023-000	829	231-653/018-000	633
231-602/114-000	578	231-618	577	231-638/109-000	631	231-653/019-000	631
231-603	577	231-618/018-000	579	231-638/114-000	632	231-653/114-000	632
231-603/017-000	827	231-618/019-000	577	231-638/129-000	633	231-654	631
231-603/018-000	579	231-618/114-000	578	231-639	631	231-654/018-000	633
231-603/019-000	577	231-619	577	231-639/017-000	829	231-654/019-000	631
231-603/023-000	827	231-619/018-000	579	231-639/018-000	633	231-654/114-000	632
231-603/114-000	578	231-619/019-000	577	231-639/019-000	631	231-661	539
231-604	577	231-619/114-000	578	231-639/023-000	829	231-662	539
231-604/017-000	827	231-620	577	231-639/109-000	631	231-668	541
231-604/018-000	579	231-620/018-000	579	231-639/114-000	632	231-669	541
231-604/019-000	577	231-620/019-000	577	231-639/129-000	633	231-670	541
231-604/023-000	827	231-620/114-000	578	231-640	631	231-671	541
231-604/114-000	578	231-621	577	231-640/017-000	829	231-672	541
231-605	577	231-621/018-000	579	231-640/018-000	633	231-673	541
231-605/017-000	827	231-621/019-000	577	231-640/019-000	631	231-674	541
231-605/018-000	579	231-621/114-000	578	231-640/023-000	829	231-675	541
231-605/019-000	577	231-622	577	231-640/109-000	631	231-702/008-000	698
231-605/023-000	827	231-622/018-000	579	231-640/114-000	632	231-702/026-000	697
231-605/114-000	578	231-622/019-000	577	231-640/129-000	633	231-702/031-000	697
231-606	577	231-622/114-000	578	231-641	631	231-702/037-000	697
231-606/017-000	827	231-623	577	231-641/017-000	829	231-703/008-000	698
231-606/018-000	579	231-623/018-000	579	231-641/018-000	633	231-703/026-000	697
231-606/019-000	577	231-623/019-000	577	231-641/019-000	631	231-703/031-000	697

Item Number Index

Item No.	Page	Item No.	Page	Item No.	Page	Item No.	Page
231 Series		231 Series		231 Series		231 Series	
231-703/037-000	697	231-837/001-000	679	231-2103/037-000	571	231-2313/026-000	623
231-704/008-000	698	231-837/001-000/105-604	687	231-2104/026-000	571	231-2313/037-000	623
231-704/026-000	697	231-837/001-000/105-604/997-409	687	231-2104/037-000	571	231-2314/026-000	623
231-704/031-000	697	231-838/001-000	679	231-2105/026-000	571	231-2314/037-000	623
231-704/037-000	697	231-838/001-000/105-604	687	231-2105/037-000	571	231-2314/107-000	623
231-705/008-000	698	231-838/001-000/105-604/997-409	687	231-2106/026-000	571	231-2315/026-000	623
231-705/026-000	697	231-839/001-000	679	231-2106/037-000	571	231-2315/037-000	623
231-705/031-000	697	231-839/001-000/105-604	687	231-2107/026-000	571	231-2315/107-000	623
231-705/037-000	697	231-839/001-000/105-604/997-409	687	231-2107/037-000	571	231-2316/026-000	623
231-706/008-000	698	231-840/001-000	679	231-2108/026-000	571	231-2316/037-000	623
231-706/026-000	697	231-840/001-000/105-604	687	231-2108/037-000	571	231-2316/107-000	623
231-706/027-000	698	231-840/040-000	679	231-2109/026-000	571	231-2702/026-000	703
231-706/031-000	697	231-841/001-000	679	231-2109/037-000	571	231-2702/037-000	703
231-706/037-000	697	231-841/001-000/105-604	687	231-2110/026-000	571	231-2703/026-000	703
231-707/008-000	698	231-842/001-000	679	231-2110/037-000	571	231-2703/037-000	703
231-707/026-000	697	231-842/001-000/105-604	687	231-2111/026-000	571	231-2704/026-000	703
231-707/027-000	698	231-843/001-000	679	231-2111/037-000	571	231-2704/037-000	703
231-707/031-000	697	231-846/001-000	679	231-2112/026-000	571	231-2705/026-000	703
231-707/037-000	697	231-862/001-000	683	231-2112/037-000	571	231-2705/037-000	703
231-708/008-000	698	231-862/001-000/105-604	691	231-2113/026-000	571	231-2706/026-000	703
231-708/026-000	697	231-862/001-000/105-604/997-405	691	231-2113/037-000	571	231-2706/037-000	703
231-708/027-000	698	231-863/001-000	683	231-2114/026-000	571	231-2707/026-000	703
231-708/031-000	697	231-863/001-000/105-604	691	231-2114/037-000	571	231-2707/037-000	703
231-708/037-000	697	231-863/001-000/105-604/997-407	691	231-2115/026-000	571	231-2708/026-000	703
231-709/008-000	698	231-864/001-000	683	231-2115/037-000	571	231-2708/037-000	703
231-709/026-000	697	231-864/001-000/105-604	691	231-2116/026-000	571	231-2709/026-000	703
231-709/027-000	698	231-864/001-000/105-604/997-407	691	231-2116/037-000	571	231-2709/037-000	703
231-709/031-000	697	231-865/001-000	683	231-2202/026-000	663	231-2710/026-000	703
231-709/037-000	697	231-865/001-000/105-604	691	231-2202/037-000	663	231-2710/037-000	703
231-710/008-000	698	231-865/001-000/105-604/997-407	691	231-2203/026-000	663	231-2711/026-000	703
231-710/026-000	697	231-866/001-000	683	231-2203/037-000	663	231-2711/037-000	703
231-710/027-000	698	231-866/001-000/105-604	691	231-2204/026-000	663	231-2712/026-000	703
231-710/031-000	697	231-866/001-000/105-604/997-409	691	231-2204/037-000	663	231-2712/037-000	703
231-710/037-000	697	231-867/001-000	683	231-2205/026-000	663		
231-711/008-000	698	231-867/001-000/105-604	691	231-2205/037-000	663	232 Series	
231-711/026-000	697	231-867/001-000/105-604/997-409	691	231-2206/026-000	663	232-102/026-000	565
231-711/027-000	698	231-868/001-000	683	231-2206/037-000	663	232-103/026-000	565
231-711/031-000	697	231-868/001-000/105-604	691	231-2207/026-000	663	232-104/026-000	565
231-711/037-000	697	231-868/001-000/105-604/997-409	691	231-2207/037-000	663	232-104/026-000	565
231-712/008-000	698	231-869/001-000	683	231-2208/026-000	663	232-105/026-000	565
231-712/026-000	697	231-869/001-000/105-604	691	231-2208/037-000	663	232-106/026-000	565
231-712/027-000	698	231-869/001-000/105-604/997-409	691	231-2209/026-000	663	232-107/026-000	565
231-712/031-000	697	231-870/001-000	683	231-2209/037-000	663	232-108/026-000	565
231-712/037-000	697	231-870/001-000/105-604	691	231-2210/026-000	663	232-109/026-000	565
231-732/001-000	719	231-870/040-000	683	231-2210/037-000	663	232-110/026-000	565
231-733/001-000	719	231-871/001-000	683	231-2211/026-000	663	232-111/026-000	565
231-734/001-000	719	231-871/001-000/105-604	691	231-2211/037-000	663	232-112/026-000	565
231-735/001-000	719	231-872/001-000	683	231-2212/026-000	663	232-113/026-000	565
231-736/001-000	719	231-872/001-000/105-604	691	231-2212/037-000	663	232-114/026-000	565
231-737/001-000	719	231-873/001-000	683	231-2302/026-000	623	232-115/026-000	565
231-738/001-000	719	231-876/001-000	683	231-2302/037-000	623	232-116/026-000	565
231-739/001-000	719	231-902	547	231-2302/107-000	623	232-117/026-000	565
231-740/001-000	719	231-903	547	231-2303/026-000	623	232-118/026-000	565
231-741/001-000	719	231-905	547	231-2303/037-000	623	232-119/026-000	565
231-742/001-000	719	231-907	547	231-2303/107-000	623	232-120/026-000	565
231-762/001-000	721	231-910	547	231-2304/026-000	623	232-121/026-000	565
231-763/001-000	721	231-932/001-000	719	231-2304/037-000	623	232-122/026-000	565
231-764/001-000	721	231-933/001-000	719	231-2304/107-000	623	232-123/026-000	565
231-765/001-000	721	231-934/001-000	719	231-2305/026-000	623	232-124/026-000	565
231-766/001-000	721	231-935/001-000	719	231-2305/037-000	623	232-132	581
231-767/001-000	721	231-936/001-000	719	231-2305/107-000	623	232-132/005-000	609
231-768/001-000	721	231-937/001-000	719	231-2306/026-000	623	232-132/005-000/039-000	610
231-769/001-000	721	231-938/001-000	719	231-2306/037-000	623	232-132/031-000	583
231-770/001-000	721	231-939/001-000	719	231-2306/107-000	623	232-132/039-000	582
231-771/001-000	721	231-940/001-000	719	231-2307/026-000	623	232-132/047-000	584
231-772/001-000	721	231-941/001-000	719	231-2307/037-000	623	232-133	581
231-832/001-000	679	231-942/001-000	719	231-2307/107-000	623	232-133/005-000	609
231-832/001-000/105-604	687	231-962/001-000	721	231-2308/026-000	623	232-133/005-000/039-000	610
231-832/001-000/105-604/997-405	687	231-963/001-000	721	231-2308/037-000	623	232-133/031-000	583
231-833/001-000	679	231-964/001-000	721	231-2308/107-000	623	232-133/039-000	582
231-833/001-000/105-604	687	231-965/001-000	721	231-2309/026-000	623	232-133/047-000	584
231-833/001-000/105-604/997-407	687	231-966/001-000	721	231-2309/037-000	623	232-134	581
231-834/001-000	679	231-967/001-000	721	231-2309/107-000	623	232-134/005-000	609
231-834/001-000/105-604	687	231-968/001-000	721	231-2310/026-000	623	232-134/005-000/039-000	610
231-834/001-000/105-604/997-407	687	231-969/001-000	721	231-2310/037-000	623	232-134/031-000	583
231-835/001-000	679	231-970/001-000	721	231-2310/107-000	623	232-134/039-000	582
231-835/001-000/105-604	687	231-971/001-000	721	231-2311/026-000	623	232-134/047-000	584
231-835/001-000/105-604/997-407	687	231-972/001-000	721	231-2311/037-000	623	232-135	581
231-836/001-000	679	231-2102/026-000	571	231-2312/026-000	623	232-135/005-000	609
231-836/001-000/105-604	687	231-2102/037-000	571	231-2312/037-000	623	232-135/005-000/039-000	610
231-836/001-000/105-604/997-409	687	231-2103/026-000	571	231-2312/107-000	623	232-135/031-000	583

Item No.	Page	Item No.	Page	Item No.	Page	Item No.	Page
232 Series							
232-135/039-000	582	232-152/031-000	583	232-179/047-000	638	232-238/005-000	609
232-135/047-000	584	232-152/039-000	582	232-180	635	232-238/031-000	583
232-136	581	232-152/047-000	584	232-180/031-000	637	232-238/039-000	581
232-136/005-000	609	232-153	581	232-180/039-000	636	232-238/047-000	584
232-136/005-000/039-000	610	232-153/031-000	583	232-180/047-000	638	232-239	581
232-136/031-000	583	232-153/039-000	582	232-181	635	232-239/005-000	609
232-136/039-000	582	232-153/047-000	584	232-181/031-000	637	232-239/005-000/039-000	609
232-136/047-000	584	232-154	581	232-181/039-000	636	232-239/031-000	583
232-137	581	232-154/031-000	583	232-181/047-000	638	232-239/039-000	581
232-137/005-000	609	232-154/047-000	584	232-182	635	232-239/047-000	584
232-137/005-000/039-000	610	232-162	635	232-182/031-000	637	232-240	581
232-137/031-000	583	232-162/031-000	637	232-182/039-000	636	232-240/005-000	609
232-137/039-000	582	232-162/039-000	636	232-182/047-000	638	232-240/005-000/039-000	609
232-137/047-000	584	232-162/047-000	638	232-183	635	232-240/031-000	583
232-138	581	232-163	635	232-183/031-000	637	232-240/039-000	581
232-138/005-000	609	232-163/031-000	637	232-183/039-000	636	232-240/047-000	584
232-138/005-000/039-000	610	232-163/039-000	636	232-183/047-000	638	232-241	581
232-138/031-000	583	232-163/047-000	638	232-184	635	232-241/005-000	609
232-138/039-000	582	232-164	635	232-184/031-000	637	232-241/005-000/039-000	609
232-138/047-000	584	232-164/031-000	637	232-184/039-000	636	232-241/031-000	583
232-139	581	232-164/039-000	636	232-184/047-000	638	232-241/039-000	581
232-139/005-000	609	232-164/047-000	638	232-202/026-000	565	232-241/047-000	584
232-139/005-000/039-000	610	232-165	635	232-203/026-000	565	232-242	581
232-139/031-000	583	232-165/031-000	637	232-204/026-000	565	232-242/005-000	609
232-139/039-000	582	232-165/039-000	636	232-205/026-000	565	232-242/005-000/039-000	609
232-139/047-000	584	232-165/047-000	638	232-206/026-000	565	232-242/031-000	583
232-140	581	232-166	635	232-207/026-000	565	232-242/039-000	581
232-140/005-000	609	232-166/031-000	637	232-208/026-000	565	232-242/047-000	584
232-140/005-000/039-000	610	232-166/039-000	636	232-209/026-000	565	232-243	581
232-140/031-000	583	232-166/047-000	638	232-210/026-000	565	232-243/031-000	583
232-140/039-000	582	232-167	635	232-211/026-000	565	232-243/039-000	581
232-140/047-000	584	232-167/031-000	637	232-212/026-000	565	232-243/047-000	584
232-141	581	232-167/039-000	636	232-213/026-000	565	232-244	581
232-141/005-000	609	232-167/047-000	638	232-214/026-000	565	232-244/031-000	583
232-141/005-000/039-000	610	232-168	635	232-215/026-000	565	232-244/039-000	581
232-141/031-000	583	232-168/031-000	637	232-216/026-000	565	232-244/047-000	584
232-141/039-000	582	232-168/039-000	636	232-217/026-000	565	232-245	581
232-141/047-000	584	232-168/047-000	638	232-218/026-000	565	232-245/031-000	583
232-142	581	232-169	635	232-219/026-000	565	232-245/039-000	581
232-142/005-000	609	232-169/031-000	637	232-220/026-000	565	232-245/047-000	584
232-142/005-000/039-000	610	232-169/039-000	636	232-221/026-000	565	232-246	581
232-142/031-000	583	232-169/047-000	638	232-222/026-000	565	232-246/031-000	583
232-142/039-000	582	232-170	635	232-223/026-000	565	232-246/039-000	581
232-142/047-000	584	232-170/031-000	637	232-224/026-000	565	232-246/047-000	584
232-143	581	232-170/039-000	636	232-232	581	232-247	581
232-143/031-000	583	232-170/047-000	638	232-232/005-000	609	232-247/031-000	583
232-143/039-000	582	232-171	635	232-232/005-000/039-000	609	232-247/039-000	581
232-143/047-000	584	232-171/031-000	637	232-232/031-000	583	232-247/047-000	584
232-144	581	232-171/039-000	636	232-232/039-000	581	232-248	581
232-144/031-000	583	232-171/047-000	638	232-232/047-000	584	232-248/031-000	583
232-144/039-000	582	232-172	635	232-233	581	232-248/039-000	581
232-144/047-000	584	232-172/031-000	637	232-233/005-000	609	232-248/047-000	584
232-145	581	232-172/039-000	636	232-233/005-000/039-000	609	232-249	581
232-145/031-000	583	232-172/047-000	638	232-233/031-000	583	232-249/031-000	583
232-145/039-000	582	232-173	635	232-233/039-000	581	232-249/039-000	581
232-145/047-000	584	232-173/031-000	637	232-233/047-000	584	232-249/047-000	584
232-146	581	232-173/039-000	636	232-234	581	232-250	581
232-146/031-000	583	232-173/047-000	638	232-234/005-000	609	232-250/031-000	583
232-146/039-000	582	232-174	635	232-234/005-000/039-000	609	232-250/039-000	581
232-146/047-000	584	232-174/031-000	637	232-234/031-000	583	232-250/047-000	584
232-147	581	232-174/039-000	636	232-234/039-000	581	232-251	581
232-147/031-000	583	232-174/047-000	638	232-234/047-000	584	232-251/031-000	583
232-147/039-000	582	232-175	635	232-235	581	232-251/039-000	581
232-147/047-000	584	232-175/031-000	637	232-235/005-000	609	232-251/047-000	584
232-148	581	232-175/039-000	636	232-235/005-000/039-000	609	232-252	581
232-148/031-000	583	232-175/047-000	638	232-235/031-000	583	232-252/031-000	583
232-148/039-000	582	232-176	635	232-235/039-000	581	232-252/039-000	581
232-148/047-000	584	232-176/031-000	637	232-235/047-000	584	232-252/047-000	584
232-149	581	232-176/039-000	636	232-236	581	232-253	581
232-149/031-000	583	232-176/047-000	638	232-236/005-000	609	232-253/031-000	583
232-149/039-000	582	232-177	635	232-236/005-000/039-000	609	232-253/039-000	581
232-149/047-000	584	232-177/031-000	637	232-236/031-000	583	232-253/047-000	584
232-150	581	232-177/039-000	636	232-236/039-000	581	232-254	581
232-150/031-000	583	232-177/047-000	638	232-236/047-000	584	232-254/031-000	583
232-150/039-000	582	232-178	635	232-237	581	232-254/039-000	581
232-150/047-000	584	232-178/031-000	637	232-237/005-000	609	232-254/047-000	584
232-151	581	232-178/039-000	636	232-237/005-000/039-000	609	232-262	635
232-151/031-000	583	232-178/047-000	638	232-237/031-000	583	232-262/031-000	637
232-151/039-000	582	232-179	635	232-237/039-000	581	232-262/039-000	635
232-151/047-000	584	232-179/031-000	637	232-237/047-000	584	232-262/047-000	638
232-152	581	232-179/039-000	636	232-238	581	232-263	635

Item Number Index

Item No.	Page	Item No.	Page	Item No.	Page	Item No.	Page
232 Series							
232-263/031-000	637	232-283/039-000	635	232-513/007-000	607	232-665	545
232-263/039-000	635	232-283/047-000	638	232-514/007-000	607	232-667	545
232-263/047-000	638	232-284	635	232-515/007-000	607	232-670	545
232-264	635	232-284/031-000	637	232-516/007-000	607	232-682	545
232-264/031-000	637	232-284/039-000	635	232-517/007-000	607	232-683	545
232-264/039-000	635	232-284/047-000	638	232-518/007-000	607	232-684	545
232-264/047-000	638	232-302/026-000	621	232-519/007-000	607	232-685	545
232-265	635	232-303/026-000	621	232-520/007-000	607	232-687	545
232-265/031-000	637	232-304/026-000	621	232-521/007-000	607	232-732	673
232-265/039-000	635	232-305/026-000	621	232-522/007-000	607	232-732/031-000	675
232-265/047-000	638	232-306/026-000	621	232-523/007-000	607	232-732/039-000	674
232-266	635	232-307/026-000	621	232-524/007-000	607	232-732/047-000	676
232-266/031-000	637	232-308/026-000	621	232-532/007-000	651	232-733	673
232-266/039-000	635	232-309/026-000	621	232-533/007-000	651	232-733/031-000	675
232-266/047-000	638	232-310/026-000	621	232-534/007-000	651	232-733/039-000	674
232-267	635	232-311/026-000	621	232-535/007-000	651	232-733/047-000	676
232-267/031-000	637	232-312/026-000	621	232-536/007-000	651	232-734	673
232-267/039-000	635	232-313/026-000	621	232-537/007-000	651	232-734/031-000	675
232-267/047-000	638	232-314/026-000	621	232-538/007-000	651	232-734/039-000	674
232-268	635	232-315/026-000	621	232-539/007-000	651	232-734/047-000	676
232-268/031-000	637	232-316/026-000	621	232-540/007-000	651	232-735	673
232-268/039-000	635	232-317/026-000	621	232-541/007-000	651	232-735/031-000	675
232-268/047-000	638	232-318/026-000	621	232-542/007-000	651	232-735/039-000	674
232-269	635	232-319/026-000	621	232-543/007-000	651	232-735/047-000	676
232-269/031-000	637	232-320/026-000	621	232-544/007-000	651	232-736	673
232-269/039-000	635	232-321/026-000	621	232-545/007-000	651	232-736/031-000	675
232-269/047-000	638	232-322/026-000	621	232-546/007-000	651	232-736/039-000	674
232-270	635	232-323/026-000	621	232-547/007-000	651	232-736/047-000	676
232-270/031-000	637	232-324/026-000	621	232-548/007-000	651	232-737	673
232-270/039-000	635	232-332	591	232-549/007-000	651	232-737/031-000	675
232-270/047-000	638	232-333	591	232-550/007-000	651	232-737/039-000	674
232-271	635	232-334	591	232-551/007-000	651	232-737/047-000	676
232-271/031-000	637	232-335	591	232-552/007-000	651	232-738	673
232-271/039-000	635	232-336	591	232-553/007-000	651	232-738/031-000	675
232-271/047-000	638	232-337	591	232-554/007-000	651	232-738/039-000	674
232-272	635	232-338	591	232-562/007-000	695	232-738/047-000	676
232-272/031-000	637	232-340	591	232-563/007-000	695	232-739	673
232-272/039-000	635	232-342	591	232-564/007-000	695	232-739/031-000	675
232-272/047-000	638	232-346	591	232-565/007-000	695	232-739/039-000	674
232-273	635	232-362	645	232-566/007-000	695	232-739/047-000	676
232-273/031-000	637	232-363	645	232-567/007-000	695	232-740	673
232-273/039-000	635	232-364	645	232-568/007-000	695	232-740/031-000	675
232-273/047-000	638	232-366	645	232-569/007-000	695	232-740/039-000	674
232-274	635	232-368	645	232-570/007-000	695	232-740/047-000	676
232-274/031-000	637	232-370	645	232-571/007-000	695	232-741	673
232-274/039-000	635	232-372	645	232-572/007-000	695	232-741/031-000	675
232-274/047-000	638	232-376	645	232-582/007-000	723	232-741/039-000	674
232-275	635	232-402/026-000	621	232-583/007-000	723	232-741/047-000	676
232-275/031-000	637	232-403/026-000	621	232-584/007-000	723	232-742	673
232-275/039-000	635	232-404/026-000	621	232-585/007-000	723	232-742/031-000	675
232-275/047-000	638	232-405/026-000	621	232-586/007-000	723	232-742/039-000	674
232-276	635	232-406/026-000	621	232-587/007-000	723	232-742/047-000	676
232-276/031-000	637	232-407/026-000	621	232-588/007-000	723	232-743	673
232-276/039-000	635	232-408/026-000	621	232-589/007-000	723	232-743/031-000	675
232-276/047-000	638	232-409/026-000	621	232-590/007-000	723	232-743/039-000	674
232-277	635	232-410/026-000	621	232-591/007-000	723	232-743/047-000	676
232-277/031-000	637	232-411/026-000	621	232-592/007-000	723	232-746	673
232-277/039-000	635	232-412/026-000	621	232-602	544	232-746/031-000	675
232-277/047-000	638	232-413/026-000	621	232-603	544	232-746/039-000	674
232-278	635	232-414/026-000	621	232-604	544	232-746/047-000	676
232-278/031-000	637	232-415/026-000	621	232-605	544	232-762	713
232-278/039-000	635	232-416/026-000	621	232-606	544	232-762/031-000	715
232-278/047-000	638	232-417/026-000	621	232-607	544	232-762/039-000	714
232-279	635	232-418/026-000	621	232-608	544	232-762/047-000	716
232-279/031-000	637	232-419/026-000	621	232-609	544	232-763	713
232-279/039-000	635	232-420/026-000	621	232-610	544	232-763/031-000	715
232-279/047-000	638	232-421/026-000	621	232-612	544	232-763/039-000	714
232-280	635	232-422/026-000	621	232-632	544	232-763/047-000	716
232-280/031-000	637	232-423/026-000	621	232-633	544	232-764	713
232-280/039-000	635	232-424/026-000	621	232-634	544	232-764/031-000	715
232-280/047-000	638	232-502/007-000	607	232-635	544	232-764/039-000	714
232-281	635	232-503/007-000	607	232-636	544	232-764/047-000	716
232-281/031-000	637	232-504/007-000	607	232-637	544	232-765	713
232-281/039-000	635	232-505/007-000	607	232-638	544	232-765/031-000	715
232-281/047-000	638	232-506/007-000	607	232-639	544	232-765/039-000	714
232-282	635	232-507/007-000	607	232-640	544	232-765/047-000	716
232-282/031-000	637	232-508/007-000	607	232-642	544	232-766	713
232-282/039-000	635	232-509/007-000	607	232-646	544	232-766/031-000	715
232-282/047-000	638	232-510/007-000	607	232-662	545	232-766/039-000	714
232-283	635	232-511/007-000	607	232-663	545	232-766/047-000	716
232-283/031-000	637	232-512/007-000	607	232-664	545	232-767	713

Item No.	Page	Item No.	Page	Item No.	Page	Item No.	Page
232 Series		232 Series		233 Series		235 Series	
232-767/031-000	715	232-863/039-000	713	233-510	101	235-740	217
232-767/039-000	714	232-863/047-000	716	233-512	101	235-740/331-000	181
232-767/047-000	716	232-864	713			235-741/331-000	181
232-768	713	232-864/031-000	715	234 Series		235-742	217
232-768/031-000	715	232-864/039-000	713	234-202	103	235-742/331-000	181
232-768/039-000	714	232-864/047-000	716	234-203	103	235-743	217
232-768/047-000	716	232-865	713	234-204	103	235-743/331-000	181
232-769	713	232-865/031-000	715	234-205	103	235-744	217
232-769/031-000	715	232-865/039-000	713	234-206	103	235-744/331-000	181
232-769/039-000	714	232-865/047-000	716	234-207	103	235-745/331-000	181
232-769/047-000	716	232-866	713	234-208	103	235-746	217
232-770	713	232-866/031-000	715	234-209	103	235-746/331-000	181
232-770/031-000	715	232-866/039-000	713	234-210	103	235-747	217
232-770/039-000	714	232-866/047-000	716	234-212	103	235-747/331-000	181
232-770/047-000	716	232-867	713	234-502	103	235-748/331-000	181
232-771	713	232-867/031-000	715	234-503	103	235-749/331-000	181
232-771/031-000	715	232-867/039-000	713	234-504	103	235-752	217
232-771/039-000	714	232-867/047-000	716	234-505	103	235-752/331-000	181
232-771/047-000	716	232-868	713	234-506	103	235-753	217
232-772	713	232-868/031-000	715	234-507	103	235-753/331-000	181
232-772/031-000	715	232-868/039-000	713	234-508	103	235-754	217
232-772/039-000	714	232-868/047-000	716	234-509	103	235-754/331-000	181
232-772/047-000	716	232-869	713	234-510	103	235-756	217
232-832	673	232-869/031-000	715	234-512	103	235-756/331-000	181
232-832/031-000	675	232-869/039-000	713			235-757	217
232-832/039-000	673	232-869/047-000	716	235 Series		235-757/331-000	181
232-832/047-000	676	232-870	713	235-100	181	235-758/331-000	181
232-833	673	232-870/031-000	715	235-101	185	235-762	217
232-833/031-000	675	232-870/039-000	713	235-101/330-000	221	235-762/331-000	181
232-833/039-000	673	232-870/047-000	716	235-102	187	235-764/331-000	181
232-833/047-000	676	232-871	713	235-102/330-000	223	235-766	217
232-834	673	232-871/031-000	715	235-103	187	235-766/331-000	181
232-834/031-000	675	232-871/039-000	713	235-103/330-000	223	235-767/331-000	181
232-834/039-000	673	232-871/047-000	716	235-104	187	235-770	217
232-834/047-000	676	232-872	713	235-104/330-000	223	235-771	185
232-835	673	232-872/031-000	715	235-105	187	235-772	185
232-835/031-000	675	232-872/039-000	713	235-105/330-000	223	235-774	185
232-835/039-000	673	232-872/047-000	716	235-106	187	235-775	185
232-835/047-000	676			235-106/330-000	223	235-776	185
232-836	673	233 Series		235-107	187	235-777	185
232-836/031-000	675	233-102	21	235-107/330-000	223	235-778	185
232-836/039-000	673	233-103	21	235-108	187	235-800	181
232-836/047-000	676	233-104	21	235-108/330-000	223	235-801	217
232-837	673	233-105	21	235-109	187	235-801/331-000	181
232-837/031-000	675	233-106	21	235-109/330-000	223	235-850	181
232-837/039-000	673	233-107	21	235-110	187		
232-837/047-000	676	233-108	21	235-110/330-000	223		
232-838	673	233-109	21	235-112	187	236 Series	
232-838/031-000	675	233-110	21	235-200	181	236-100	23
232-838/039-000	673	233-112	21	235-300	181	236-101	23
232-838/047-000	676	233-202	101	235-400	181	236-102	29
232-839	673	233-203	101	235-401	217	236-103	29
232-839/031-000	675	233-204	101	235-401/331-000	181	236-104	29
232-839/039-000	673	233-205	101	235-402	219	236-106	29
232-839/047-000	676	233-206	101	235-402/331-000	183	236-108	29
232-840	673	233-207	101	235-403	219	236-112	29
232-840/031-000	675	233-208	101	235-403/331-000	183	236-116	29
232-840/039-000	673	233-209	101	235-404	219	236-124	29
232-840/047-000	676	233-210	101	235-404/331-000	183	236-136	29
232-841	673	233-212	101	235-405	219	236-148	29
232-841/031-000	675	233-331	871	235-405/331-000	183	236-200	23
232-841/039-000	673	233-332	871	235-406	219	236-201	25
232-841/047-000	676	233-335	871	235-406/331-000	183	236-202	31
232-842	673	233-402	21	235-407	219	236-203	31
232-842/031-000	675	233-403	21	235-407/331-000	183	236-204	31
232-842/039-000	673	233-404	21	235-408	219	236-206	31
232-842/047-000	676	233-405	21	235-408/331-000	183	236-208	31
232-843	673	233-406	21	235-409	219	236-212	31
232-843/031-000	675	233-407	21	235-409/331-000	183	236-216	31
232-843/039-000	673	233-408	21	235-410	219	236-224	31
232-843/047-000	676	233-409	21	235-410/331-000	183	236-300	23
232-846	673	233-410	21	235-412	219	236-301	27
232-846/031-000	675	233-412	21	235-412/331-000	183	236-302	33
232-846/039-000	673	233-502	101	235-500	181	236-303	33
232-846/047-000	676	233-503	101	235-501	217	236-304	33
232-862	713	233-504	101	235-501/331-000	181	236-306	33
232-862/031-000	715	233-505	101	235-550	181	236-308	33
232-862/039-000	713	233-506	101	235-600	181	236-312	33
232-862/047-000	716	233-507	101	235-650	181	236-316	33
232-863	713	233-508	101	235-700	181	236-324	33
232-863/031-000	715	233-509	101	235-701	181	236-332	871

Item Number Index

Item No.	Page	Item No.	Page	Item No.	Page	Item No.	Page
236 Series		236 Series		248 Series		250 Series	
236-335	871	236-765	27	248-573	863	250-309	167
236-400	23	236-766	27			250-310	167
236-401	23	236-767	27			250-311	167
236-402	29	236-800	23	249 Series		250-312	167
236-402/334-604	293	236-850	23	249-110	258	250-313	167
236-402/334-604/997-405	293	236-851	23	249-111	258	250-314	167
236-403	29	236-852	25	249-112	258	250-315	167
236-403/334-604	293	236-853	27	249-113	258	250-316	167
236-403/334-604/997-405	293	236-854	23	249-114	258	250-317	167
236-404	29	236-855	25	249-115	258	250-318	167
236-404/334-604	293	236-856	27	249-130	883	250-319	167
236-404/334-604/997-406	293	236-881	23			250-320	167
236-405/334-604	293	236-882	25	250 Series		250-321	167
236-405/334-604/997-406	293	236-884	23	250-102	171	250-322	167
236-406	29	236-885	25	250-103	171	250-323	167
236-406/334-604	293	236-891	23	250-104	171	250-324	167
236-406/334-604/997-406	293	236-894	23	250-105	171	250-402	169
236-408	29			250-106	171	250-402/353-604	287
236-412	29	243 Series		250-107	171	250-403	169
236-416	29	243-131	791	250-108	171	250-403/353-604	287
236-424	29	243-211	847	250-109	171	250-404	169
236-436	29	243-212	847	250-110	171	250-404/353-604	287
236-448	29	243-721	797	250-111	171	250-405	169
236-500	23	243-722	797	250-112	171	250-405/353-604	287
236-501	25	243-723	797	250-113	171	250-406	169
236-502	31	243-724	797	250-114	171	250-406/353-604	287
236-503	31	243-725	797	250-115	171	250-407	169
236-504	31	243-726	797	250-116	171	250-407/353-604	287
236-506	31	243-742	797	250-117	171	250-408	169
236-508	31	243-742/000-006	797	250-118	171	250-408/353-604	287
236-512	31	243-742/000-012	797	250-119	171	250-409	169
236-516	31	243-743	797	250-120	171	250-410	169
236-524	31	243-743/000-012	797	250-121	171	250-410/353-604	287
236-600	23	243-744	797	250-122	171	250-411	169
236-601	27	243-744/000-006	797	250-123	171	250-412	169
236-602	33	243-744/000-007	797	250-124	171	250-413	169
236-603	33	243-744/000-012	797	250-202	173	250-414	169
236-604	33	243-745	797	250-202/353-604	289	250-415	169
236-606	33	243-745/000-006	797	250-202/353-604/997-404	289	250-416	169
236-608	33	243-745/000-012	797	250-203	173	250-417	169
236-612	33	243-746	797	250-203/353-604	289	250-418	169
236-616	33	243-746/000-006	797	250-203/353-604/997-404	289	250-419	169
236-624	33	243-747	797	250-204	173	250-420	169
236-700	23	243-748	797	250-204/353-604	289	250-421	169
236-710	23			250-204/353-604/997-405	289	250-422	169
236-711	23	248 Series		250-205	173	250-423	169
236-712	23	248-472	863	250-205/353-604	289	250-424	169
236-713	23	248-474	863	250-205/353-604/997-405	289	250-502	175
236-714	23	248-501	862	250-206	173	250-503	175
236-715	23	248-501/000-002	862	250-206/353-604	289	250-504	175
236-716	23	248-501/000-005	862	250-206/353-604/997-406	289	250-505	175
236-717	23	248-501/000-006	862	250-207	173	250-506	175
236-722	25	248-501/000-007	862	250-207/353-604	289	250-507	175
236-723	25	248-501/000-012	862	250-207/353-604/997-406	289	250-508	175
236-724	25	248-501/000-017	862	250-208	173	250-509	175
236-725	25	248-501/000-023	862	250-208/353-604	289	250-510	175
236-726	25	248-501/000-024	862	250-208/353-604/997-406	289	250-511	175
236-727	25	248-502	863	250-209	173	250-512	175
236-732	27	248-503	863	250-210	173	250-513	175
236-733	27	248-504	863	250-211	173	250-514	175
236-734	27	248-505	863	250-212	173	250-515	175
236-735	27	248-506	863	250-213	173	250-516	175
236-736	27	248-507	863	250-214	173	250-602	175
236-737	27	248-508	863	250-215	173	250-603	175
236-740	23	248-509	863	250-216	173	250-604	175
236-741	23	248-510	863	250-217	173	250-605	175
236-742	23	248-511	863	250-218	173	250-606	175
236-743	23	248-512	863	250-219	173	250-607	175
236-744	23	248-513	863	250-220	173	250-608	175
236-745	23	248-514	863	250-221	173	250-609	175
236-746	23	248-515	863	250-222	173	250-610	175
236-747	23	248-516	863	250-223	173	250-611	175
236-748	23	248-517	863	250-224	173	250-612	175
236-752	25	248-518	863	250-302	167	250-702	177
236-753	25	248-519	863	250-303	167	250-703	177
236-754	25	248-520	863	250-304	167	250-704	177
236-755	25	248-521	863	250-305	167	250-706	177
236-756	25	248-522	863	250-306	167	250-708	177
236-757	25	248-523	863	250-307	167	250-710	177
236-762	27	248-524	863	250-308	167	250-712	177
236-763	27	248-525	863			250-716	177
236-764	27	248-526	863				

Item No.	Page	Item No.	Page	Item No.	Page	Item No.	Page
250 Series		254 Series		255 Series		256 Series	
250-1402	169	254-100	227	255-410	109	256-200	113
250-1403	169	254-200	227	255-410/333-000	111	256-300	113
250-1404	169	254-300	227	255-412	109	256-400	113
250-1405	169	254-400	227	255-412/333-000	111	256-401	113
250-1406	169	254-451	227	255-500	107	256-402	115
250-1407	169	254-452	229	255-501	107	256-402/333-000	121
250-1408	169	254-453	229	255-502	109	256-402/334-000	119
250-1409	169	254-454	229	255-502/333-000	111	256-403	115
250-1410	169	254-455	229	255-503	109	256-403/333-000	121
250-1411	169	254-456	229	255-503/333-000	111	256-403/334-000	119
250-1412	169	254-457	229	255-504	109	256-404	115
250-1413	169	254-458	229	255-504/333-000	111	256-404/333-000	121
250-1414	169	254-459	229	255-505	109	256-404/334-000	119
250-1415	169	254-460	229	255-505/333-000	111	256-405	115
250-1416	169	254-462	229	255-506	109	256-405/333-000	121
250-1417	169	254-466	229	255-506/333-000	111	256-405/334-000	119
250-1418	169	254-474	229	255-507	109	256-406	115
250-1419	169	254-551	227	255-507/333-000	111	256-406/333-000	121
250-1420	169	254-552	229	255-508	109	256-406/334-000	119
250-1421	169	254-553	229	255-508/333-000	111	256-407	115
250-1422	169	254-554	229	255-509	109	256-407/333-000	121
250-1423	169	254-555	229	255-509/333-000	111	256-407/334-000	119
250-1424	169	254-556	229	255-510	109	256-408	115
		254-557	229	255-510/333-000	111	256-408/333-000	121
		254-558	229	255-512	109	256-408/334-000	119
		254-559	229	255-512/333-000	111	256-409	115
252 Series		254-560	229	255-600	107	256-409/333-000	121
252-102	791	254-562	229	255-601	107	256-409/334-000	119
252-103	791	254-600	227	255-602	109	256-410	115
252-104	791	254-651	227	255-602/333-000	111	256-410/333-000	121
252-105	791	254-652	229	255-603	109	256-410/334-000	119
252-106	791	254-653	229	255-603/333-000	111	256-412	115
252-107	791	254-654	229	255-604	109	256-412/333-000	121
252-108	791	254-655	229	255-604/333-000	111	256-412/334-000	119
252-109	791	254-656	229	255-605	109	256-461	117
252-110	791	254-657	229	255-605/333-000	111	256-500	113
252-152	792	254-658	229	255-606	109	256-501	113
252-153	792	254-659	229	255-606/333-000	111	256-502	115
252-154	792	254-660	229	255-607	109	256-502/333-000	121
252-155	792	254-662	229	255-607/333-000	111	256-502/334-000	119
252-156	792	254-700	227	255-608	109	256-503	115
252-157	792	254-842	227	255-608/333-000	111	256-503/333-000	121
252-158	792	254-843	227	255-609	109	256-503/334-000	119
252-159	792	254-844	227	255-609/333-000	111	256-504	115
252-160	792	254-846	227	255-610	109	256-504/333-000	121
252-302	791	254-847	227	255-610/333-000	111	256-504/334-000	119
252-303	791	254-848	227	255-612	109	256-505	115
252-304	791	254-852	227	255-612/333-000	111	256-505/333-000	121
252-305	791	254-853	227	255-700	107	256-505/334-000	119
252-306	791	254-854	227	255-740	107	256-506	115
252-307	791	254-856	227	255-741	107	256-506/333-000	121
252-308	791	254-857	227	255-742	107	256-506/334-000	119
252-309	791	254-862	227	255-743	107	256-507	115
252-310	791	254-863	227	255-744	107	256-507/333-000	121
252-902	792	254-864	227	255-746	107	256-507/334-000	119
252-903	792	254-866	227	255-747	107	256-508	115
252-904	792	254-867	227	255-748	107	256-508/333-000	121
252-905	792			255-750	107	256-508/334-000	119
252-906	792			255-751	107	256-509	115
252-907	792			255-752	107	256-509/333-000	121
252-908	792	255 Series		255-753	107	256-509/334-000	119
252-909	792	255-100	107	255-754	107	256-510	115
252-910	792	255-200	107	255-756	107	256-510/333-000	121
252-954	792	255-300	107	255-757	107	256-510/334-000	119
		255-400	107	255-758	107	256-512	115
253 Series		255-401	107	255-760	107	256-512/333-000	121
253-102	243	255-402	109	255-761	107	256-512/334-000	119
253-103	243	255-402/333-000	111	255-762	107	256-561	117
253-104	243	255-403	109	255-763	107	256-600	113
253-105	243	255-403/333-000	111	255-764	107	256-601	113
253-106	243	255-404	109	255-766	107	256-602	115
253-107	243	255-404/333-000	111	255-767	107	256-602/333-000	121
253-108	243	255-405	109	255-768	107	256-602/334-000	119
253-108	243	255-405/333-000	111	255-800	107	256-603	115
253-109	243	255-406	109	255-801	107	256-603/333-000	121
253-110	243	255-406/333-000	111	255-811	107	256-603/334-000	119
253-111	243	255-407	109	255-821	107	256-604	115
253-112	243	255-407/333-000	111			256-604/333-000	121
253-113	243	255-408	109	256 Series		256-604/334-000	119
253-114	243	255-408/333-000	111	256-100	113	256-605	115
253-115	243	255-409	109			256-605/333-000	121
253-116	243	255-409/333-000	111				

Item Number Index

Item No.	Page	Item No.	Page	Item No.	Page	Item No.	Page
256 Series		257 Series		257 Series		713 Series	
256-605/334-000	119	257-410	125	257-700	123	713-1104/037-000	429
256-606	115	257-410/333-000	131	257-740	123	713-1104/107-000	429
256-606/333-000	121	257-412	125	257-742	123	713-1105	429
256-606/334-000	119	257-412/333-000	131	257-743	123	713-1105/037-000	429
256-607	115	257-451	127	257-744	123	713-1105/107-000	429
256-607/333-000	121	257-452	129	257-746	123	713-1106	429
256-607/334-000	119	257-453	129	257-747	123	713-1106/037-000	429
256-608	115	257-454	129	257-750	123	713-1106/107-000	429
256-608/333-000	121	257-455	129	257-752	123	713-1107	429
256-608/334-000	119	257-456	129	257-753	123	713-1107/037-000	429
256-609	115	257-457	129	257-754	123	713-1107/107-000	429
256-609/333-000	121	257-458	129	257-756	123	713-1108	429
256-609/334-000	119	257-459	129	257-757	123	713-1108/037-000	429
256-610	115	257-460	129	257-760	123	713-1108/107-000	429
256-610/333-000	121	257-462	129	257-762	123	713-1109	429
256-610/334-000	119	257-500	123	257-763	123	713-1109/037-000	429
256-612	115	257-501	123	257-764	123	713-1109/107-000	429
256-612/333-000	121	257-502	125	257-766	123	713-1110	429
256-612/334-000	119	257-502/333-000	131	257-767	123	713-1110/037-000	429
256-661	117	257-503	125	257-801	123	713-1110/107-000	429
256-700	113	257-503/333-000	131	257-811	123	713-1111	429
256-740	113	257-504	125	257-821	123	713-1111/037-000	429
256-742	113	257-504/333-000	131	257-840	127	713-1111/107-000	429
256-743	113	257-505	125	257-842	127	713-1112	429
256-744	113	257-505/333-000	131	257-843	127	713-1112/037-000	429
256-746	113	257-506	125	257-844	127	713-1112/107-000	429
256-747	113	257-506/333-000	131	257-846	127	713-1113	429
256-750	113	257-507	125	257-847	127	713-1113/037-000	429
256-752	113	257-507/333-000	131	257-850	127	713-1113/107-000	429
256-753	113	257-508	125	257-852	127	713-1114	429
256-754	113	257-508/333-000	131	257-853	127	713-1114/037-000	429
256-756	113	257-509	125	257-854	127	713-1114/107-000	429
256-757	113	257-509/333-000	131	257-856	127	713-1115	429
256-760	113	257-510	125	257-857	127	713-1115/037-000	429
256-762	113	257-510/333-000	131	257-860	127	713-1115/107-000	429
256-763	113	257-512	125	257-862	127	713-1116	429
256-764	113	257-512/333-000	131	257-863	127	713-1116/037-000	429
256-766	113	257-551	127	257-864	127	713-1116/107-000	429
256-767	113	257-552	129	257-866	127	713-1117	429
256-800	113	257-553	129	257-867	127	713-1117/037-000	429
256-840	117	257-554	129			713-1117/107-000	429
256-842	117	257-555	129	280 Series		713-1118	429
256-843	117	257-556	129	280-402	251	713-1118/037-000	429
256-844	117	257-557	129	280-432	539	713-1118/107-000	429
256-846	117	257-558	129	280-433	539	713-1403	431
256-847	117	257-559	129	280-434	539	713-1403/037-000	432
256-850	117	257-560	129	280-435	539	713-1403/105-000	438
256-852	117	257-562	129	280-436	539	713-1403/105-000/997-405	438
256-853	117	257-600	123	280-437	539	713-1403/107-000	432
256-854	117	257-601	123	280-438	539	713-1403/116-000	442
256-856	117	257-602	125	280-439	539	713-1403/116-000/997-405	442
256-857	117	257-602/333-000	131	280-440	539	713-1403/117-000	440
256-860	117	257-603	125			713-1403/117-000/997-405	440
256-862	117	257-603/333-000	131	288 Series		713-1404	431
256-863	117	257-604	125	288-001	858	713-1404/037-000	432
256-864	117	257-604/333-000	131	288-002	858	713-1404/105-000	438
256-866	117	257-605	125	288-003	858	713-1404/105-000/997-405	438
256-867	117	257-605/333-000	131	288-600	856	713-1404/107-000	432
		257-606	125	288-601	856	713-1404/116-000	442
257 Series		257-606/333-000	131	288-602	856	713-1404/116-000/997-406	442
257-100	123	257-607	125	288-620	856	713-1404/117-000	440
257-200	123	257-607/333-000	131	288-621	856	713-1404/117-000/997-406	440
257-300	123	257-608	125	288-622	856	713-1405	431
257-400	123	257-608/333-000	131	288-626	857	713-1405/037-000	432
257-401	123	257-609	125	288-627	857	713-1405/105-000	438
257-402	125	257-609/333-000	131			713-1405/105-000/997-405	438
257-402/333-000	131	257-610	125	709 Series		713-1405/107-000	432
257-403	125	257-610/333-000	131	709-196	857	713-1405/116-000	442
257-403/333-000	131	257-612	125			713-1405/116-000/997-406	442
257-404	125	257-612/333-000	131			713-1405/117-000	440
257-404/333-000	131	257-651	127	713 Series		713-1405/117-000/997-406	440
257-405	125	257-652	129	713-126	444	713-1406	431
257-405/333-000	131	257-653	129	713-127	444	713-1406/037-000	432
257-406	125	257-654	129	713-128	444	713-1406/105-000	438
257-406/333-000	131	257-655	129	713-129	444	713-1406/105-000/997-406	438
257-407	125	257-656	129	713-130	444	713-1406/107-000	432
257-407/333-000	131	257-657	129	713-130	444	713-1406/116-000	442
257-408	125	257-658	129	713-1103	429	713-1406/116-000/997-406	442
257-408/333-000	131	257-659	129	713-1103/037-000	429	713-1406/117-000	440
257-409	125	257-660	129	713-1103/107-000	429	713-1406/117-000/997-406	440
257-409/333-000	131	257-662	129	713-1104	429	713-1407	431

Item No.	Page	Item No.	Page	Item No.	Page	Item No.	Page
713 Series		713 Series		713 Series		713 Series	
713-1407/037-000	432	713-1416/037-000	432	713-1429/037-000	432	713-1438/037-000	432
713-1407/105-000	438	713-1416/105-000	438	713-1429/105-000	437	713-1438/105-000	437
713-1407/105-000/997-406	438	713-1416/105-000/997-408	438	713-1429/105-000/997-407	437	713-1438/105-000/997-409	437
713-1407/107-000	432	713-1416/107-000	432	713-1429/107-000	431	713-1438/107-000	431
713-1407/116-000	442	713-1416/116-000	442	713-1429/116-000	441	713-1438/116-000	441
713-1407/116-000/997-407	442	713-1416/116-000/997-409	442	713-1429/116-000/997-407	441	713-1438/116-000/997-409	441
713-1407/117-000	440	713-1416/117-000	440	713-1429/117-000	439	713-1438/117-000	439
713-1407/117-000/997-407	440	713-1416/117-000/997-409	440	713-1429/117-000/997-407	439	713-1438/117-000/997-409	439
713-1408	431	713-1417	431	713-1430	431		
713-1408/037-000	432	713-1417/037-000	432	713-1430/037-000	432	714 Series	
713-1408/105-000	438	713-1417/105-000	438	713-1430/105-000	437	714-101	444
713-1408/105-000/997-406	438	713-1417/105-000/997-409	438	713-1430/105-000/997-407	437	714-102	453
713-1408/107-000	432	713-1417/107-000	432	713-1430/107-000	431	714-103	453
713-1408/116-000	442	713-1417/116-000	442	713-1430/116-000	441	714-104	453
713-1408/116-000/997-407	442	713-1417/116-000/997-409	442	713-1430/116-000/997-408	441	714-105	453
713-1408/117-000	440	713-1417/117-000	440	713-1430/117-000	439	714-106	453
713-1408/117-000/997-407	440	713-1417/117-000/997-409	440	713-1430/117-000/997-408	439	714-108	453
713-1409	431	713-1418	431	713-1431	431	714-110	453
713-1409/037-000	432	713-1418/037-000	432	713-1431/037-000	432	714-112	453
713-1409/105-000	438	713-1418/105-000	438	713-1431/105-000	437	714-114	453
713-1409/105-000/997-407	438	713-1418/105-000/997-409	438	713-1431/105-000/997-407	437	714-115	453
713-1409/107-000	432	713-1418/107-000	432	713-1431/107-000	431	714-116	453
713-1409/116-000	442	713-1418/116-000	442	713-1431/116-000	441	714-132	455
713-1409/116-000/997-407	442	713-1418/116-000/997-409	442	713-1431/116-000/997-408	441	714-133	455
713-1409/117-000	440	713-1418/117-000	440	713-1431/117-000	439	714-134	455
713-1409/117-000/997-407	440	713-1418/117-000/997-409	440	713-1431/117-000/997-408	439	714-135	455
713-1410	431	713-1423	431	713-1432	431	714-136	455
713-1410/037-000	432	713-1423/037-000	432	713-1432/037-000	432	714-138	455
713-1410/105-000	438	713-1423/105-000	437	713-1432/105-000	437	714-140	455
713-1410/105-000/997-407	438	713-1423/105-000/997-405	437	713-1432/105-000/997-408	437	714-142	455
713-1410/107-000	432	713-1423/107-000	431	713-1432/107-000	431	714-144	455
713-1410/116-000	442	713-1423/116-000	441	713-1432/116-000	441	714-145	455
713-1410/116-000/997-408	442	713-1423/116-000/997-405	441	713-1432/116-000/997-408	441	714-146	455
713-1410/117-000	440	713-1423/117-000	439	713-1432/117-000	439	714-162	455
713-1410/117-000/997-408	440	713-1423/117-000/997-405	439	713-1432/117-000/997-408	439	714-163	455
713-1411	431	713-1424	431	713-1433	431	714-164	455
713-1411/037-000	432	713-1424/037-000	432	713-1433/037-000	432	714-165	455
713-1411/105-000	438	713-1424/105-000	437	713-1433/105-000	437	714-166	455
713-1411/105-000/997-407	438	713-1424/105-000/997-405	437	713-1433/105-000/997-408	437	714-168	455
713-1411/107-000	432	713-1424/107-000	431	713-1433/107-000	431	714-170	455
713-1411/116-000	442	713-1424/116-000	441	713-1433/116-000	441	714-172	455
713-1411/116-000/997-408	442	713-1424/116-000/997-406	441	713-1433/116-000/997-408	441	714-174	455
713-1411/117-000	440	713-1424/117-000	439	713-1433/117-000	439	714-175	455
713-1411/117-000/997-408	440	713-1424/117-000/997-406	439	713-1433/117-000/997-408	439	714-176	455
713-1412	431	713-1425	431	713-1434	431	721 Series	
713-1412/037-000	432	713-1425/037-000	432	713-1434/037-000	432	721-102/008-000	464
713-1412/105-000	438	713-1425/105-000	437	713-1434/105-000	437	721-102/026-000	463
713-1412/105-000/997-408	438	713-1425/105-000/997-405	437	713-1434/105-000/997-408	437	721-102/031-000	463
713-1412/107-000	432	713-1425/107-000	431	713-1434/107-000	431	721-102/037-000	463
713-1412/116-000	442	713-1425/116-000	441	713-1434/116-000	441	721-103/008-000	464
713-1412/116-000/997-408	442	713-1425/116-000/997-406	441	713-1434/116-000/997-408	441	721-103/026-000	463
713-1412/117-000	440	713-1425/117-000	439	713-1434/117-000	439	721-103/031-000	463
713-1412/117-000/997-408	440	713-1425/117-000/997-406	439	713-1434/117-000/997-408	439	721-103/037-000	463
713-1413	431	713-1426	431	713-1435	431	721-104/008-000	464
713-1413/037-000	432	713-1426/037-000	432	713-1435/037-000	432	721-104/026-000	463
713-1413/105-000	438	713-1426/105-000	437	713-1435/105-000	437	721-104/031-000	463
713-1413/105-000/997-408	438	713-1426/105-000/997-406	437	713-1435/105-000/997-408	437	721-104/037-000	463
713-1413/107-000	432	713-1426/107-000	431	713-1435/107-000	431	721-105/008-000	464
713-1413/116-000	442	713-1426/116-000	441	713-1435/116-000	441	721-105/026-000	463
713-1413/116-000/997-408	442	713-1426/116-000/997-406	441	713-1435/116-000/997-409	441	721-105/031-000	463
713-1413/117-000	440	713-1426/117-000	439	713-1435/117-000	439	721-105/037-000	463
713-1413/117-000/997-408	440	713-1426/117-000/997-406	439	713-1435/117-000/997-409	439	721-106/008-000	464
713-1414	431	713-1427	431	713-1436	431	721-106/026-000	463
713-1414/037-000	432	713-1427/037-000	432	713-1436/037-000	432	721-106/027-000	464
713-1414/105-000	438	713-1427/105-000	437	713-1436/105-000	437	721-106/031-000	463
713-1414/105-000/997-408	438	713-1427/105-000/997-406	437	713-1436/105-000/997-408	437	721-106/037-000	463
713-1414/107-000	432	713-1427/107-000	431	713-1436/107-000	431	721-107/008-000	464
713-1414/116-000	442	713-1427/116-000	441	713-1436/116-000	441	721-107/026-000	463
713-1414/116-000/997-408	442	713-1427/116-000/997-407	441	713-1436/116-000/997-409	441	721-107/027-000	464
713-1414/117-000	440	713-1427/117-000	439	713-1436/117-000	439	721-107/031-000	463
713-1414/117-000/997-408	440	713-1427/117-000/997-407	439	713-1436/117-000/997-409	439	721-107/037-000	463
713-1415	431	713-1428	431	713-1437	431	721-108/008-000	464
713-1415/037-000	432	713-1428/037-000	432	713-1437/037-000	432	721-108/026-000	463
713-1415/105-000	438	713-1428/105-000	437	713-1437/105-000	437	721-108/027-000	464
713-1415/105-000/997-408	438	713-1428/105-000/997-406	437	713-1437/105-000/997-409	437	721-108/031-000	463
713-1415/107-000	432	713-1428/107-000	431	713-1437/107-000	431	721-108/037-000	463
713-1415/116-000	442	713-1428/116-000	441	713-1437/116-000	441	721-109/008-000	464
713-1415/116-000/997-409	442	713-1428/116-000/997-407	441	713-1437/116-000/997-409	441	721-109/026-000	463
713-1415/117-000	440	713-1428/117-000	439	713-1437/117-000	439	721-109/027-000	464
713-1415/117-000/997-409	440	713-1428/117-000/997-407	439	713-1437/117-000/997-409	439	721-109/031-000	463
713-1416	431	713-1429	431	713-1438	431		

Item Number Index

Item No.	Page	Item No.	Page	Item No.	Page	Item No.	Page
721 Series		721 Series		721 Series		721 Series	
721-109/037-000	463	721-171/001-000	493	721-266/001-000	533	721-463/001-040	497
721-110/008-000	464	721-171/003-000	503	721-267/001-000	533	721-464/001-000	493
721-110/026-000	463	721-172/001-000	493	721-268/001-000	533	721-464/001-040	497
721-110/027-000	464	721-172/003-000	503	721-269/001-000	533	721-465/001-000	493
721-110/031-000	463	721-173/001-000	493	721-270/001-000	533	721-465/001-040	497
721-110/037-000	463	721-173/003-000	503	721-271/001-000	533	721-466/001-000	493
721-111/008-000	464	721-174/001-000	493	721-272/001-000	533	721-467/001-000	493
721-111/026-000	463	721-174/003-000	503	721-302/008-000	469	721-468/001-000	493
721-111/027-000	464	721-175/001-000	493	721-302/031-000	469	721-469/001-000	493
721-111/031-000	463	721-175/003-000	503	721-303/008-000	469	721-470/001-000	493
721-111/037-000	463	721-176/001-000	493	721-303/031-000	469	721-471/001-000	493
721-112/008-000	464	721-176/003-000	503	721-304/008-000	469	721-472/001-000	493
721-112/026-000	463	721-180/001-000	493	721-304/031-000	469	721-473/001-000	493
721-112/027-000	464	721-180/003-000	503	721-305/008-000	469	721-474/001-000	493
721-112/031-000	463	721-202/008-000	506	721-305/031-000	469	721-475/001-000	493
721-112/037-000	463	721-202/026-000	505	721-306/008-000	469	721-476/001-000	493
721-113/008-000	464	721-202/031-000	505	721-306/031-000	469	721-480/001-000	493
721-113/026-000	463	721-202/037-000	505	721-307/008-000	469	721-602	477
721-113/027-000	464	721-203/008-000	506	721-307/031-000	469	721-602/018-000	478
721-113/031-000	463	721-203/026-000	505	721-308/008-000	469	721-602/019-000	477
721-113/037-000	463	721-203/031-000	505	721-308/031-000	469	721-602/114-000	477
721-114/008-000	464	721-203/037-000	505	721-309/008-000	469	721-603	477
721-114/026-000	463	721-204/008-000	506	721-309/031-000	469	721-603/000-042	481
721-114/027-000	464	721-204/026-000	505	721-310/008-000	469	721-603/018-000	478
721-114/031-000	463	721-204/031-000	505	721-310/031-000	469	721-603/018-042	482
721-114/037-000	463	721-204/037-000	505	721-311/008-000	469	721-603/019-000	477
721-115/008-000	464	721-205/008-000	506	721-311/031-000	469	721-603/019-042	481
721-115/026-000	463	721-205/026-000	505	721-312/008-000	469	721-603/114-000	477
721-115/027-000	464	721-205/031-000	505	721-312/031-000	469	721-603/114-042	481
721-115/031-000	463	721-205/037-000	505	721-313/008-000	469	721-604	477
721-115/037-000	463	721-206/008-000	506	721-313/031-000	469	721-604/000-042	481
721-116/008-000	464	721-206/026-000	505	721-314/008-000	469	721-604/018-000	478
721-116/026-000	463	721-206/027-000	506	721-314/031-000	469	721-604/018-042	482
721-116/027-000	464	721-206/031-000	505	721-315/008-000	469	721-604/018-042/033-000	482
721-116/031-000	463	721-206/037-000	505	721-315/031-000	469	721-604/019-000	477
721-116/037-000	463	721-207/008-000	506	721-316/008-000	469	721-604/019-042	481
721-120/008-000	464	721-207/026-000	505	721-316/031-000	469	721-604/114-000	477
721-120/026-000	463	721-207/031-000	505	721-320/008-000	469	721-604/114-042	481
721-120/027-000	464	721-207/037-000	505	721-320/031-000	469	721-605	477
721-120/031-000	463	721-208/008-000	506	721-332/008-000	509	721-605/000-042	481
721-120/037-000	463	721-208/026-000	505	721-332/031-000	509	721-605/018-000	478
721-132/001-000	491	721-208/027-000	506	721-333/008-000	509	721-605/018-042	482
721-133/001-000	491	721-208/031-000	505	721-333/031-000	509	721-605/019-000	477
721-133/001-040	495	721-208/037-000	505	721-334/008-000	509	721-605/019-042	481
721-134/001-000	491	721-209/008-000	506	721-334/031-000	509	721-605/114-000	477
721-134/001-040	495	721-209/026-000	505	721-335/008-000	509	721-605/114-042	481
721-135/001-000	491	721-209/027-000	506	721-335/031-000	509	721-606	477
721-135/001-040	495	721-209/031-000	505	721-336/031-000	509	721-606/018-000	478
721-136/001-000	491	721-209/037-000	505	721-337/008-000	509	721-606/019-000	477
721-137/001-000	491	721-210/008-000	506	721-337/031-000	509	721-606/114-000	477
721-138/001-000	491	721-210/026-000	505	721-338/008-000	509	721-607	477
721-139/001-000	491	721-210/031-000	505	721-338/031-000	509	721-607/018-000	478
721-140/001-000	491	721-210/037-000	505	721-339/008-000	509	721-607/019-000	477
721-141/001-000	491	721-211/008-000	506	721-339/031-000	509	721-607/114-000	477
721-142/001-000	491	721-211/026-000	505	721-340/008-000	509	721-608	477
721-143/001-000	491	721-212/008-000	506	721-340/031-000	509	721-608/018-000	478
721-144/001-000	491	721-212/026-000	505	721-341/008-000	509	721-608/019-000	477
721-145/001-000	491	721-212/027-000	506	721-341/031-000	509	721-608/114-000	477
721-146/001-000	491	721-212/031-000	505	721-342/008-000	509	721-609	477
721-150/001-000	491	721-212/037-000	505	721-342/031-000	509	721-609/018-000	478
721-162/001-000	493	721-232/001-000	531	721-432/001-000	491	721-609/019-000	477
721-162/003-000	503	721-233/001-000	531	721-433/001-000	491	721-609/114-000	477
721-163/001-000	493	721-233/001-040	535	721-433/001-040	495	721-610	477
721-163/001-040	497	721-234/001-000	531	721-434/001-000	491	721-610/018-000	478
721-163/003-000	503	721-234/001-040	535	721-434/001-040	495	721-610/019-000	477
721-164/001-000	493	721-235/001-000	531	721-435/001-000	491	721-610/114-000	477
721-164/001-040	497	721-235/001-040	535	721-435/001-040	495	721-611	477
721-164/003-000	503	721-236/001-000	531	721-436/001-000	491	721-611/018-000	478
721-165/001-000	493	721-237/001-000	531	721-437/001-000	491	721-611/019-000	477
721-165/001-040	497	721-238/001-000	531	721-438/001-000	491	721-611/114-000	477
721-165/003-000	503	721-239/001-000	531	721-439/001-000	491	721-612	477
721-166/001-000	493	721-240/001-000	531	721-440/001-000	491	721-612/018-000	478
721-166/003-000	503	721-241/001-000	531	721-441/001-000	491	721-612/019-000	477
721-167/001-000	493	721-242/001-000	531	721-442/001-000	491	721-612/114-000	477
721-167/003-000	503	721-262/001-000	533	721-443/001-000	491	721-613	477
721-168/001-000	493	721-263/001-000	533	721-444/001-000	491	721-613/018-000	478
721-168/003-000	503	721-263/001-040	537	721-445/001-000	491	721-613/019-000	477
721-169/001-000	493	721-264/001-000	533	721-446/001-000	491	721-613/114-000	477
721-169/003-000	503	721-264/001-040	537	721-450/001-000	491	721-614	477
721-170/001-000	493	721-265/001-000	533	721-462/001-000	493	721-614/018-000	478
721-170/003-000	503	721-265/001-040	537	721-463/001-000	493	721-614/019-000	477

Item No.	Page	Item No.	Page	Item No.	Page	Item No.	Page
721 Series		721 Series		722 Series		722 Series	
721-614/114-000	477	721-2207/026-000	511	722-140/047-000	488	722-236	485
721-615	477	721-2207/037-000	511	722-141	485	722-236/005-000	499
721-615/018-000	478	721-2208/026-000	511	722-141/005-000	499	722-236/005-000/039-000	499
721-615/019-000	477	721-2208/037-000	511	722-141/005-000/039-000	500	722-236/031-000	487
721-615/114-000	477	721-2209/026-000	511	722-141/031-000	487	722-236/039-000	485
721-616	477	721-2209/037-000	511	722-141/039-000	486	722-236/047-000	488
721-616/018-000	478	721-2210/026-000	511	722-141/047-000	488	722-237	485
721-616/019-000	477	721-2210/037-000	511	722-142	485	722-237/005-000	499
721-616/114-000	477	721-2211/026-000	511	722-142/005-000	499	722-237/005-000/039-000	499
721-620	477	721-2211/037-000	511	722-142/005-000/039-000	500	722-237/031-000	487
721-620/018-000	478	721-2212/026-000	511	722-142/031-000	487	722-237/039-000	485
721-620/019-000	477	721-2212/037-000	511	722-142/039-000	486	722-237/047-000	488
721-620/114-000	477	722 Series		722-142/047-000	488	722-238	485
721-832/001-000	531	722-102/026-000	467	722-143	485	722-238/005-000	499
721-833/001-000	531	722-103/026-000	467	722-143/005-000	499	722-238/005-000/039-000	499
721-833/001-040	535	722-104/026-000	467	722-143/031-000	487	722-238/031-000	487
721-834/001-000	531	722-105/026-000	467	722-143/039-000	486	722-238/039-000	485
721-834/001-040	535	722-106/026-000	467	722-143/047-000	488	722-238/047-000	488
721-835/001-000	531	722-107/026-000	467	722-144	485	722-239	485
721-835/001-040	535	722-108/026-000	467	722-144/005-000	499	722-239/005-000	499
721-836/001-000	531	722-109/026-000	467	722-144/005-000/039-000	500	722-239/005-000/039-000	499
721-837/001-000	531	722-110/026-000	467	722-144/031-000	487	722-239/031-000	487
721-838/001-000	531	722-111/026-000	467	722-144/039-000	486	722-239/039-000	485
721-839/001-000	531	722-112/026-000	467	722-144/047-000	488	722-239/047-000	488
721-840/001-000	531	722-113/026-000	467	722-145	485	722-240	485
721-841/001-000	531	722-114/026-000	467	722-145/005-000	499	722-240/005-000	499
721-842/001-000	531	722-115/026-000	467	722-145/031-000	487	722-240/005-000/039-000	499
721-862/001-000	533	722-116/026-000	467	722-145/039-000	486	722-240/031-000	487
721-863/001-000	533	722-120/026-000	467	722-145/047-000	488	722-240/039-000	485
721-863/001-040	537	722-132	485	722-146	485	722-240/047-000	488
721-864/001-000	533	722-132/005-000	499	722-146/005-000	499	722-241	485
721-864/001-040	537	722-132/005-000/039-000	500	722-146/005-000/039-000	500	722-241/005-000	499
721-865/001-000	533	722-132/031-000	487	722-146/031-000	487	722-241/005-000/039-000	499
721-865/001-040	537	722-132/039-000	486	722-146/039-000	486	722-241/031-000	487
721-866/001-000	533	722-132/047-000	488	722-146/039-000	486	722-241/039-000	485
721-867/001-000	533	722-133	485	722-146/047-000	488	722-241/047-000	488
721-868/001-000	533	722-133/005-000	499	722-150	485	722-242	485
721-869/001-000	533	722-133/005-000/039-000	500	722-150/005-000	499	722-242	485
721-870/001-000	533	722-133/031-000	487	722-150/005-000/039-000	500	722-242/005-000	499
721-871/001-000	533	722-133/039-000	486	722-150/031-000	487	722-242/005-000/039-000	499
721-872/001-000	533	722-133/047-000	488	722-150/039-000	486	722-242/031-000	487
721-2102/026-000	471	722-134	485	722-150/047-000	488	722-242/039-000	485
721-2102/037-000	471	722-134/005-000	499	722-202/026-000	467	722-242/047-000	488
721-2103/026-000	471	722-134/005-000/039-000	500	722-203/026-000	467	722-243	485
721-2103/037-000	471	722-134/031-000	487	722-204/026-000	467	722-243/005-000	499
721-2104/026-000	471	722-134/039-000	486	722-205/026-000	467	722-243/031-000	487
721-2104/037-000	471	722-134/047-000	488	722-206/026-000	467	722-243/039-000	485
721-2105/026-000	471	722-135	485	722-207/026-000	467	722-243/047-000	488
721-2105/037-000	471	722-135/005-000	499	722-208/026-000	467	722-244	485
721-2106/026-000	471	722-135/005-000/039-000	500	722-209/026-000	467	722-244/005-000	499
721-2106/037-000	471	722-135/031-000	487	722-210/026-000	467	722-244/005-000/039-000	499
721-2107/026-000	471	722-135/039-000	486	722-211/026-000	467	722-244/031-000	487
721-2107/037-000	471	722-135/047-000	488	722-212/026-000	467	722-244/039-000	485
721-2108/026-000	471	722-136	485	722-213/026-000	467	722-244/047-000	488
721-2108/037-000	471	722-136/005-000	499	722-214/026-000	467	722-245	485
721-2109/026-000	471	722-136/005-000/039-000	500	722-215/026-000	467	722-245/005-000	499
721-2109/037-000	471	722-136/031-000	487	722-216/026-000	467	722-245/031-000	487
721-2110/026-000	471	722-136/039-000	486	722-220/026-000	467	722-245/039-000	485
721-2110/037-000	471	722-136/047-000	488	722-232	485	722-245/047-000	488
721-2111/026-000	471	722-137	485	722-232/005-000	499	722-246	485
721-2111/037-000	471	722-137/005-000	499	722-232/005-000/039-000	499	722-246/005-000	499
721-2112/026-000	471	722-137/005-000/039-000	500	722-232/031-000	487	722-246/005-000/039-000	499
721-2112/037-000	471	722-137/031-000	487	722-232/039-000	485	722-246/031-000	487
721-2113/026-000	471	722-137/039-000	486	722-232/047-000	488	722-246/039-000	485
721-2113/037-000	471	722-137/047-000	488	722-233	485	722-246/047-000	488
721-2114/026-000	471	722-138	485	722-233/005-000	499	722-250	485
721-2114/037-000	471	722-138/005-000	499	722-233/005-000/039-000	499	722-250/005-000	499
721-2115/026-000	471	722-138/005-000/039-000	500	722-233/031-000	487	722-250/005-000/039-000	499
721-2115/037-000	471	722-138/031-000	487	722-233/039-000	485	722-250/031-000	487
721-2116/026-000	471	722-138/039-000	486	722-233/047-000	488	722-250/039-000	485
721-2116/037-000	471	722-138/047-000	488	722-234	485	722-250/047-000	488
721-2202/026-000	511	722-139	485	722-234/005-000	499	722-732	525
721-2202/037-000	511	722-139/005-000	499	722-234/005-000/039-000	499	722-732/031-000	527
721-2203/026-000	511	722-139/005-000/039-000	500	722-234/031-000	487	722-732/039-000	526
721-2203/037-000	511	722-139/031-000	487	722-234/039-000	485	722-732/047-000	528
721-2204/026-000	511	722-139/039-000	486	722-234/047-000	488	722-733	525
721-2204/037-000	511	722-139/047-000	488	722-235	485	722-733/031-000	527
721-2205/026-000	511	722-140	485	722-235/005-000	499	722-733/039-000	526
721-2205/037-000	511	722-140/005-000	499	722-235/005-000/039-000	499	722-733/047-000	528
721-2206/026-000	511	722-140/005-000/039-000	500	722-235/031-000	487	722-734	525
721-2206/037-000	511	722-140/031-000	487	722-235/039-000	485	722-734/031-000	527
		722-140/039-000	486	722-235/047-000	488	722-734/039-000	526

Item No.	Page	Item No.	Page	Item No.	Page	Item No.	Page
731 Series		733 Series		734 Series		734 Series	
731-642/018-000	711	733-337	345	734-110/107-000	361	734-143	381
731-642/019-000	709	733-337/105-604	350	734-111	361	734-143/108-000	382
731-642/114-000	710	733-337/105-604/997-446	350	734-111/008-000	362	734-144	381
		733-338	345	734-111/037-000	361	734-144/105-604	388
		733-338/105-604	350	734-111/107-000	361	734-144/105-604/997-408	388
		733-338/105-604/997-446	350	734-112	361	734-144/108-000	382
		733-339	345	734-112/008-000	362	734-146	381
		733-339/105-604	350	734-112/037-000	361	734-146/105-604	388
		733-339/105-604/997-446	350	734-112/107-000	361	734-146/105-604/997-408	388
		733-340	345	734-113	361	734-146/108-000	382
		733-340/105-604	350	734-113/008-000	362	734-148	381
		733-340/105-604/997-446	350	734-113/037-000	361	734-148/108-000	382
		733-342	345	734-113/107-000	361	734-150	381
		733-342/105-604	350	734-114	361	734-150/108-000	382
		733-342/105-604/997-446	350	734-114/008-000	362	734-154	381
		733-362	345	734-114/037-000	361	734-154/108-000	382
		733-362/105-604	349	734-114/107-000	361	734-159	416
		733-362/105-604/997-406	349	734-116	361	734-162	381
		733-363	345	734-116/008-000	362	734-162/105-604	387
		733-363/105-604	349	734-116/037-000	361	734-162/105-604/997-405	387
		733-363/105-604/997-406	349	734-116/107-000	361	734-162/108-000	382
		733-364	345	734-118	361	734-163	381
		733-364/105-604	349	734-118/008-000	362	734-163/105-604	387
		733-364/105-604/997-406	349	734-118/037-000	361	734-163/105-604/997-405	387
		733-365	345	734-118/107-000	361	734-163/108-000	382
		733-365/105-604	349	734-120	361	734-164	381
		733-365/105-604/997-406	349	734-120/008-000	362	734-164/105-604	387
		733-366	345	734-120/037-000	361	734-164/105-604/997-405	387
		733-366/105-604	349	734-120/107-000	361	734-164/108-000	382
		733-366/105-604/997-406	349	734-124	361	734-165	381
		733-367	345	734-124/008-000	362	734-165/105-604	387
		733-367/105-604	349	734-124/037-000	361	734-165/105-604/997-405	387
		733-367/105-604/997-406	349	734-124/107-000	361	734-165/108-000	382
		733-368	345	734-126	417	734-166	381
		733-368/105-604/997-406	349	734-127	353	734-166/105-604	387
		733-369	345	734-128	353	734-166/105-604/997-407	387
		733-369/105-604	349	734-129	353	734-166/108-000	382
		733-369/105-604/997-406	349	734-130	416	734-167	381
		733-370/105-604	349	734-132	381	734-167/105-604	387
		733-370/105-604/997-406	349	734-132/105-604	388	734-167/105-604/997-407	387
		733-372	345	734-132/108-000	382	734-167/108-000	382
		733-372/105-604	349	734-133	381	734-168	381
		733-372/105-604/997-406	349	734-133/105-604	388	734-168/105-604	387
				734-133/105-604/997-405	388	734-168/105-604/997-407	387
				734-133/108-000	382	734-168/108-000	382
				734-134	381	734-169	381
				734-134/105-604	388	734-169/105-604	387
				734-134/105-604/997-405	388	734-169/105-604/997-407	387
				734-134/108-000	382	734-169/108-000	382
				734-135	381	734-170	381
				734-135/105-604	388	734-170/105-604	387
				734-135/105-604/997-405	388	734-170/105-604/997-407	387
				734-135/108-000	382	734-170/108-000	382
				734-136	381	734-171	381
				734-136/105-604	388	734-171/105-604	387
				734-136/105-604/997-407	388	734-171/105-604/997-407	387
				734-136/108-000	382	734-171/108-000	382
				734-137	381	734-172	381
				734-137/105-604	388	734-172/105-604	387
				734-137/105-604/997-407	388	734-172/105-604/997-407	387
				734-137/108-000	382	734-172/108-000	382
				734-138	381	734-173	381
				734-138/105-604	388	734-173/108-000	382
				734-138/105-604/997-407	388	734-174	381
				734-138/108-000	382	734-174/105-604	387
				734-139	381	734-174/105-604/997-408	387
				734-139/105-604	388	734-174/108-000	382
				734-139/105-604/997-407	388	734-176	381
				734-139/108-000	382	734-176/105-604	387
				734-140	381	734-176/105-604/997-408	387
				734-140/105-604	388	734-176/108-000	382
				734-140/105-604/997-407	388	734-178	381
				734-140/108-000	382	734-178/108-000	382
				734-141	381	734-180	381
				734-141/105-604	388	734-180/108-000	382
				734-141/105-604/997-407	388	734-184	381
				734-141/108-000	382	734-184/108-000	382
				734-142	381	734-190	414
				734-142/105-604	388	734-202	391
				734-142/105-604/997-407	388	734-202/008-000	392
				734-142/108-000	382	734-202/037-000	391

Item Number Index

Item No.	Page	Item No.	Page	Item No.	Page	Item No.	Page
734 Series		734 Series		734 Series		734 Series	
734-203	391	734-262/105-604	411	734-314/019-000	369	734-366/037-000	373
734-203/008-000	392	734-262/105-604/997-405	411	734-314/109-000	369	734-367	373
734-203/037-000	391	734-263	407	734-316	369	734-367/008-000	374
734-204	391	734-263/105-604	411	734-316/018-000	370	734-367/037-000	373
734-204/008-000	392	734-263/105-604/997-405	411	734-316/019-000	369	734-368	373
734-204/037-000	391	734-264	407	734-316/109-000	369	734-368/008-000	374
734-205	391	734-264/105-604	411	734-318	369	734-368/037-000	373
734-205/008-000	392	734-264/105-604/997-405	411	734-318/018-000	370	734-369	373
734-205/037-000	391	734-265	407	734-318/019-000	369	734-369/008-000	374
734-206	391	734-265/105-604	411	734-318/109-000	369	734-369/037-000	373
734-206/008-000	392	734-265/105-604/997-407	411	734-320	369	734-370	373
734-206/037-000	391	734-266	407	734-320/018-000	370	734-370/008-000	374
734-208	391	734-266/105-604	411	734-320/019-000	369	734-370/037-000	373
734-208/008-000	392	734-266/105-604/997-407	411	734-320/109-000	369	734-371	373
734-208/037-000	391	734-268	407	734-324	369	734-371/008-000	374
734-209	391	734-268/105-604	411	734-324/018-000	370	734-371/037-000	373
734-209/008-000	392	734-268/105-604/997-407	411	734-324/019-000	369	734-372	373
734-209/037-000	391	734-269	407	734-324/109-000	369	734-372/008-000	374
734-210	391	734-269/105-604	411	734-326	543	734-372/037-000	373
734-210/008-000	392	734-269/105-604/997-407	411	734-327	543	734-400	416
734-210/037-000	391	734-270	407	734-328	543	734-402	381
734-212	391	734-270/105-604	411	734-329	543	734-402/001-000	382
734-212/008-000	392	734-270/105-604/997-407	411	734-332	399	734-403	381
734-212/037-000	391	734-272	407	734-332/018-000	400	734-403/001-000	382
734-214	391	734-272/105-604	411	734-332/019-000	399	734-404	381
734-214/008-000	392	734-272/105-604/997-408	411	734-333	399	734-404/001-000	382
734-214/037-000	391	734-274	407	734-333/018-000	400	734-405	381
734-215	391	734-275	407	734-333/019-000	399	734-405/001-000	382
734-215/008-000	392	734-276	407	734-334	399	734-406	381
734-215/037-000	391	734-278	407	734-334/018-000	400	734-406/001-000	382
734-216	391	734-279	407	734-334/019-000	399	734-407	381
734-216/008-000	392	734-280	407	734-335	399	734-407/001-000	382
734-216/037-000	391	734-302	369	734-335/018-000	400	734-408	381
734-218	391	734-302/018-000	370	734-335/019-000	399	734-408/001-000	382
734-218/008-000	392	734-302/019-000	369	734-336	399	734-409	381
734-218/037-000	391	734-302/109-000	369	734-336/018-000	400	734-409/001-000	382
734-219	391	734-303	369	734-336/019-000	399	734-410	381
734-219/008-000	392	734-303/018-000	370	734-338	399	734-410/001-000	382
734-219/037-000	391	734-303/109-000	369	734-338/018-000	400	734-412	381
734-220	391	734-304	369	734-338/019-000	399	734-412/001-000	382
734-220/008-000	392	734-304/018-000	370	734-339	399	734-420	415
734-220/037-000	391	734-304/019-000	369	734-339/018-000	400	734-426	417
734-226	417	734-304/109-000	369	734-339/019-000	399	734-427	543
734-227	417	734-305	369	734-340	399	734-428	417
734-228	417	734-305/018-000	370	734-340/018-000	400	734-429	543
734-229	417	734-305/019-000	369	734-340/019-000	399	734-430	543
734-230	414	734-305/109-000	369	734-342	399	734-431	543
734-231	414	734-306	369	734-342/018-000	400	734-432	407
734-232	407	734-306/018-000	370	734-342/019-000	399	734-432/001-000	408
734-232/105-604	412	734-306/019-000	369	734-344	399	734-433	407
734-232/105-604/997-405	412	734-306/109-000	369	734-344/018-000	400	734-433/001-000	408
734-233	407	734-307	369	734-344/019-000	399	734-434	407
734-233/105-604	412	734-307/018-000	370	734-345	399	734-434/001-000	408
734-233/105-604/997-405	412	734-307/019-000	369	734-345/018-000	400	734-435	407
734-234	407	734-307/109-000	369	734-345/019-000	399	734-435/001-000	408
734-234/105-604	412	734-308	369	734-346	399	734-436	407
734-234/105-604/997-405	412	734-308/018-000	370	734-346/018-000	400	734-436/001-000	408
734-235	407	734-308/019-000	369	734-346/019-000	399	734-437	407
734-235/105-604	412	734-308/109-000	369	734-348	399	734-437/001-000	408
734-235/105-604/997-407	412	734-309	369	734-348/018-000	400	734-438	407
734-236	407	734-309/018-000	370	734-348/019-000	399	734-438/001-000	408
734-236/105-604	412	734-309/019-000	369	734-349	399	734-439	407
734-236/105-604/997-407	412	734-309/109-000	369	734-349/018-000	400	734-439/001-000	408
734-238	407	734-310	369	734-349/019-000	399	734-440	407
734-238/105-604	412	734-310/018-000	370	734-350	399	734-440/001-000	408
734-238/105-604/997-407	412	734-310/019-000	369	734-350/018-000	400	734-442	407
734-239	407	734-310/109-000	369	734-350/019-000	399	734-442/001-000	408
734-239/105-604	412	734-311	369	734-362	373	734-462	377
734-240	407	734-311/018-000	370	734-362/008-000	374	734-462/037-000	378
734-240/105-604	412	734-311/019-000	369	734-362/037-000	373	734-463	377
734-240/105-604/997-407	412	734-311/109-000	369	734-363	373	734-463/037-000	378
734-242	407	734-312	369	734-363/008-000	374	734-464	377
734-242/105-604	412	734-312/018-000	370	734-363/037-000	373	734-464/037-000	378
734-242/105-604/997-408	412	734-312/019-000	369	734-364	373	734-465	377
734-244	407	734-312/109-000	369	734-364/008-000	374	734-465/037-000	378
734-245	407	734-313	369	734-364/037-000	373	734-466	377
734-246	407	734-313/018-000	370	734-365	373	734-466/037-000	378
734-248	407	734-313/019-000	369	734-365/008-000	374	734-467	377
734-249	407	734-313/109-000	369	734-365/037-000	373	734-467/037-000	378
734-250	407	734-314	369	734-366	373	734-468	377
734-262	407	734-314/018-000	370	734-366/008-000	374	734-468/037-000	378

Item No.	Page	Item No.	Page	Item No.	Page	Item No.	Page
734 Series		734 Series		736 Series		737 Series	
734-469	377	734-562/037-000	403	736-212	59	737-124	67
734-469/037-000	378	734-563	403	736-216	59	737-202	67
734-470	377	734-563/037-000	403	736-224	59	737-203	67
734-470/037-000	378	734-564	403	736-302	63	737-204	67
734-471	377	734-564/037-000	403	736-303	63	737-206	67
734-471/037-000	378	734-565	403	736-304	63	737-208	67
734-472	377	734-565/037-000	403	736-306	63	737-212	67
734-472/037-000	378	734-566	403	736-308	63	737-216	67
734-473	377	734-566/037-000	403	736-312	63	737-224	67
734-473/037-000	378	734-568	403	736-316	63	737-302	71
734-474	377	734-568/037-000	403	736-324	63	737-303	71
734-474/037-000	378	734-569	403	736-402	63	737-304	71
734-476	377	734-569/037-000	403	736-403	63	737-306	71
734-476/037-000	378	734-570	403	736-404	63	737-308	71
734-478	377	734-570/037-000	403	736-406	63	737-312	71
734-478/037-000	378	734-572	403	736-408	63	737-316	71
734-480	377	734-572/037-000	403	736-412	63	737-324	71
734-480/037-000	378	734-574	403	736-416	63	737-402	71
734-484	377	734-574/037-000	403	736-424	63	737-403	71
734-484/037-000	378	734-575	403	736-502	60	737-404	71
734-502	403	734-575/037-000	403	736-503	60	737-406	71
734-502/037-000	404	734-576	403	736-504	60	737-408	71
734-503	403	734-576/037-000	403	736-506	60	737-412	71
734-503/037-000	404	734-580	403	736-508	60	737-416	71
734-504	403	734-580/037-000	403	736-512	60	737-424	71
734-504/037-000	404	734-602	418	736-516	60	737-502	68
734-505	403	734-603	418	736-552	60	737-503	68
734-505/037-000	404	734-604	418	736-553	60	737-504	68
734-506	403	734-605	418	736-554	60	737-506	68
734-506/037-000	404	734-606	418	736-556	60	737-508	68
734-508	403	734-607	418	736-558	60	737-512	68
734-508/037-000	404	734-608	418	736-562	60	737-516	68
734-509	403	734-609	418	736-566	60	737-552	68
734-509/037-000	404	734-610	418	736-602	64	737-553	68
734-510	403	734-611	418	736-603	64	737-554	68
734-510/037-000	404	734-612	418	736-604	64	737-556	68
734-512	403	734-632	418	736-606	64	737-558	68
734-512/037-000	404	734-633	418	736-608	64	737-562	68
734-514	403	734-634	418	736-612	64	737-566	68
734-514/037-000	404	734-635	418	736-616	64	737-602	72
734-515	403	734-636	418	736-652	64	737-603	72
734-515/037-000	404	734-638	418	736-653	64	737-604	72
734-516	403	734-639	418	736-654	64	737-606	72
734-516/037-000	404	734-640	418	736-656	64	737-608	72
734-520	403	734-642	418	736-658	64	737-612	72
734-520/037-000	404	734-671	415	736-662	64	737-616	72
734-532	377			736-666	64	737-652	72
734-532/037-000	377	735 Series		736-702	61	737-653	72
734-533	377	735-122	235	736-703	61	737-654	72
734-533/037-000	377	735-123	235	736-704	61	737-656	72
734-534	377	735-123/001-000	237	736-706	61	737-658	72
734-534/037-000	377	735-126	235	736-708	61	737-662	72
734-535	377	735-126/001-000	239	736-712	61	737-666	72
734-535/037-000	377	735-127	235	736-752	61	737-702	69
734-536	377	735-127/001-000	239	736-753	61	737-703	69
734-536/037-000	377	735-302	235	736-754	61	737-704	69
734-537	377	735-303	235	736-756	61	737-706	69
734-537/037-000	377	735-303/001-000	237	736-758	61	737-708	69
734-538	377	735-304	235	736-762	61	737-712	69
734-538/037-000	377	735-306	235	736-802	65	737-752	69
734-539	377	735-306/001-000	239	736-803	65	737-753	69
734-539/037-000	377	735-306/003-000	237	736-804	65	737-754	69
734-540	377	735-307	235	736-806	65	737-756	69
734-540/037-000	377	735-307/001-000	237	736-808	65	737-758	69
734-541	377	735-307/002-000	241	736-812	65	737-762	69
734-541/037-000	377	735-500	886	736-852	65	737-802	73
734-542	377			736-853	65	737-803	73
734-542/037-000	377	736 Series		736-854	65	737-804	73
734-543	377	736-102	59	736-856	65	737-806	73
734-543/037-000	377	736-103	59	736-858	65	737-808	73
734-544	377	736-104	59	736-862	65	737-812	73
734-544/037-000	377	736-106	59			737-852	73
734-546	377	736-108	59			737-853	73
734-546/037-000	377	736-112	59	737 Series		737-854	73
734-548	377	736-116	59	737-102	67	737-856	73
734-548/037-000	377	736-124	59	737-103	67	737-858	73
734-550	377	736-202	59	737-104	67	737-862	73
734-550/037-000	377	736-203	59	737-106	67		
734-554	377	736-204	59	737-108	67		
734-554/037-000	377	736-206	59	737-112	67	738 Series	
734-562	403	736-208	59	737-116	67	738-102	75

Item Number Index

Item No.	Page	Item No.	Page	Item No.	Page	Item No.	Page
738 Series		739 Series		741 Series		741 Series	
738-103	75	739-303/001-000	79	741-138	821	741-606	823
738-104	75	739-304	79	741-139	821	741-607	823
738-106	75	739-304/001-000	79	741-140	821	741-608	823
738-108	75	739-305	79	741-142	821	741-622	825
738-112	75	739-305/001-000	79	741-146	821	741-623	825
738-116	75	739-306	79	741-202	823	741-624	825
738-124	75	739-306/001-000	79	741-203	823	741-625	825
738-202	75	739-307	79	741-204	823	741-626	825
738-203	75	739-307/001-000	79	741-205	823	741-627	825
738-204	75	739-308	79	741-206	823	741-628	825
738-206	75	739-308/001-000	79	741-207	823	742 Series	
738-208	75	739-309	79	741-208	823	742-100	247
738-212	75	739-309/001-000	79	741-209	823	742-101	247
738-216	75	739-310	79	741-210	823	742-106	249
738-224	75	739-310/001-000	79	741-212	823	742-111	255
738-302	77	739-312	79	741-216	823	742-116	257
738-303	77	739-312/001-000	79	741-232	825	742-121	251
738-304	77	739-332	81	741-233	825	742-124	251
738-306	77	739-332/001-000	81	741-234	825	742-126	253
738-308	77	739-333	81	741-235	825	742-128	251
738-312	77	739-333/001-000	81	741-236	825	742-150	247
738-316	77	739-334	81	741-237	825	742-151	247
738-324	77	739-334/001-000	81	741-238	825	742-152	247
738-402	77	739-335	81	741-239	825	742-153	247
738-403	77	739-335/001-000	81	741-240	825	742-156	249
738-404	77	739-336	81	741-242	825	742-158	249
738-406	77	739-336/001-000	81	741-246	825	742-161	255
738-408	77	739-337	81	741-302	819	742-163	255
738-412	77	739-337/001-000	81	741-303	819	742-166	257
738-416	77	739-338	81	741-304	819	742-168	257
738-424	77	739-338/001-000	81	741-305	819	742-171	251
739 Series		739-339	81	741-306	819	742-174	251
739-102	83	739-339/001-000	81	741-307	819	742-176	253
739-103	83	739-340	81	741-308	819	742-178	251
739-104	83	739-340/001-000	81	741-309	819	742-400	251
739-105	83	739-342	81	741-310	819	742-450	251
739-106	83	739-342/001-000	81	741-322	821	742-600	249
739-107	83	739-3202	91	741-323	821	742-650	249
739-108	83	739-3203	91	741-324	821	742-651	249
739-109	83	739-3204	91	741-325	821	742-800	251
739-110	83	739-3205	91	741-326	821	742-850	251
739-112	83	739-3206	91	741-327	821	744 Series	
739-116	83	739-3207	91	741-328	821	744-303	232
739-124	83	739-3208	91	741-329	821	744-303/364-000	231
739-152	85	739-3209	91	741-330	821	744-304	232
739-153	85	739-3210	91	741-402	823	744-304/364-000	231
739-154	85	739-3212	91	741-403	823	744-306	232
739-155	85	740 Series		741-404	823	744-306/364-000	231
739-156	85	740-102	93	741-405	823	744-307	232
739-157	85	740-103	93	741-406	823	744-307/364-000	231
739-158	85	740-104	93	741-407	823	744-308	232
739-159	85	740-105	93	741-408	823	744-308/364-000	231
739-160	85	740-106	93	741-409	823	744-310	232
739-162	85	740-107	93	741-410	823	744-310/364-000	231
739-166	85	740-108	93	741-422	825	744-392	232
739-174	85	740-109	93	741-423	825	744-392/364-000	231
739-202	87	740-110	93	741-424	825	745 Series	
739-203	87	740-112	93	741-425	825	745-100	43
739-204	87	740-116	93	741-426	825	745-102	45
739-205	87	740-124	93	741-427	825	745-103	45
739-206	87	741 Series		741-428	825	745-104	45
739-207	87	741-102	819	741-429	825	745-105	45
739-208	87	741-103	819	741-430	825	745-106	45
739-209	87	741-104	819	741-502	819	745-107	45
739-210	87	741-105	819	741-503	819	745-108	45
739-212	87	741-106	819	741-504	819	745-109	45
739-232	89	741-107	819	741-505	819	745-110	45
739-233	89	741-108	819	741-506	819	745-112	45
739-234	89	741-109	819	741-507	819	745-140	43
739-235	89	741-110	819	741-508	819	745-145	43
739-236	89	741-112	819	741-522	821	745-152	45
739-237	89	741-116	819	741-523	821	745-153	45
739-238	89	741-132	821	741-524	821	745-154	45
739-239	89	741-133	821	741-525	821	745-155	45
739-240	89	741-136	821	741-526	821	745-156	45
739-242	89	741-137	821	741-527	821	745-157	45
739-302	79			741-528	821	745-158	45
739-302/001-000	79			741-602	823	745-159	45
739-303	79			741-603	823		
				741-604	823		
				741-605	823		

Item No.	Page	Item No.	Page	Item No.	Page	Item No.	Page
745 Series		745 Series		745 Series		793 Series	
745-160	45	745-635	259	745-3102	40	793-509	863
745-162	45	745-652/006-000	55	745-3103	40	793-510	863
745-180	259	745-653/006-000	55	745-3104	40	793-511	863
745-181	259	745-654/006-000	55	745-3105	40	793-512	863
745-182	259	745-655/006-000	55	745-3106	40	793-513	863
745-183	259	745-681	259	745-3107	40	793-514	863
745-184	259	745-682	259	745-3108	40	793-515	863
745-185	259	745-683	259	745-3109	40	793-516	863
745-190	259	745-684	259	745-3110	40	793-517	863
745-191	259	745-685	259	745-3111	40	793-565	863
745-192	259	745-801	43	745-3112	40	793-566	863
745-193	259	745-803	43	745-3138	37	793-569	863
745-194	259	745-804	43	745-3152	40	793-570	863
745-195	259	745-807	43	745-3153	40	793-571	863
745-202	45	745-808	43	745-3154	40	793-572	863
745-203	45	745-811	43	745-3155	40	793-573	863
745-204	45	745-813	43	745-3156	40	793-5501	862
745-205	45	745-814	43	745-3157	40	793-5501/000-002	862
745-206	45	745-817	43	745-3158	40	793-5501/000-005	862
745-207	45	745-818	43	745-3159	40	793-5501/000-006	862
745-208	45	745-821	43	745-3160	40	793-5501/000-007	862
745-209	45	745-823	43	745-3161	40	793-5501/000-012	862
745-210	45	745-824	43	745-3162	40	793-5501/000-017	862
745-212	45	745-827	43	745-3202	40	793-5501/000-023	862
745-280	259	745-828	43	745-3203	40	793-5501/000-024	862
745-281	259	745-831	49	745-3204	40		
745-282	259	745-833	49	745-3205	40		
745-283	259	745-834	49	745-3206	40		
745-284	259	745-837	49	745-3207	40	804 Series	
745-285	259	745-838	49	745-3208	40	804-102	197
745-300	49	745-841	49	745-3209	40	804-103	197
745-302	51	745-843	49	745-3210	40	804-104	197
745-303	51	745-844	49	745-3211	40	804-105	197
745-304	51	745-847	49	745-3212	40	804-106	197
745-305	51	745-848	49	745-3252	41	804-107	197
745-306	51	745-851/006-000	53	745-3253	41	804-108	197
745-307	51	745-853/006-000	53	745-3254	41	804-109	197
745-308	51	745-854/006-000	53	745-3255	41	804-110	197
745-309	51	745-857/006-000	53	745-3256	41	804-111	197
745-310	51	745-858/006-000	53	745-3257	41	804-112	197
745-312	51	745-871/006-000	53	745-3258	41	804-113	197
745-338	49	745-873/006-000	53	745-3259	41	804-114	197
745-340	49	745-874/006-000	53	745-3260	41	804-115	197
745-345	49	745-877/006-000	53	745-3261	41	804-116	197
745-352	51	745-878/006-000	53	745-3262	41	804-302	197
745-353	51	745-881/006-000	53	745-3801	37	804-303	197
745-354	51	745-883/006-000	53	745-3803	37	804-304	197
745-355	51	745-884/006-000	53	745-3804	37	804-305	197
745-356	51	745-887/006-000	53	745-3808	37	804-306	197
745-357	51	745-888/006-000	53			804-307	197
745-358	51	745-1352	47			804-308	197
745-359	51	745-1353	47	746 Series		804-309	197
745-360	51	745-1354	47	746-2302	145	804-310	197
745-362	51	745-1355	47	746-2303	145	804-311	197
745-380	259	745-1356	47	746-2304	145	804-312	197
745-381	259	745-1357	47	746-2305	145		
745-382	259	745-1358	47	746-2306	145	805 Series	
745-383	259	745-1359	47	746-2307	145	805-102	194
745-384	259	745-1360	47	746-2308	145	805-103	194
745-385	259	745-1362	47	746-2309	145	805-104	194
745-390	259	745-1402	47	746-2310	145	805-105	194
745-391	259	745-1403	47	746-2311	145	805-106	194
745-392	259	745-1404	47	746-2312	145	805-107	194
745-393	259	745-1405	47			805-108	194
745-394	259	745-1406	47	793 Series		805-109	194
745-395	259	745-1407	47	793-472	863	805-110	194
745-500	53	745-1408	47	793-501	862	805-111	194
745-502/006-000	55	745-1409	47	793-501/000-002	862	805-112	194
745-503/006-000	55	745-1410	47	793-501/000-005	862	805-113	194
745-504/006-000	55	745-1412	47	793-501/000-006	862	805-114	194
745-505/006-000	55	745-1452	47	793-501/000-007	862	805-115	194
745-540	53	745-1453	47	793-501/000-012	862	805-116	194
745-545	53	745-1454	47	793-501/000-017	862	805-117	194
745-602/006-000	55	745-1455	47	793-501/000-023	862	805-118	194
745-603/006-000	55	745-1456	47	793-501/000-024	862	805-119	194
745-604/006-000	55	745-1457	47	793-502	863	805-120	194
745-605/006-000	55	745-1458	47	793-503	863	805-121	194
745-631	259	745-1459	47	793-504	863	805-122	194
745-632	259	745-1460	47	793-505	863	805-123	194
745-633	259	745-1462	47	793-506	863	805-124	194
745-634	259	745-1462	47	793-507	863	805-152	191
		745-3100	37	793-508	863	805-153	191

Item Number Index

Item No.	Page	Item No.	Page	Item No.	Page	Item No.	Page
805 Series		806 Series		831 Series		831 Series	
805-154	191	806-102	795	831-302	778	831-3105	753
805-155	191	806-103	795	831-303	778	831-3105/037-000	753
805-156	191	806-104	795	831-304	778	831-3105/107-000	753
805-157	191	806-105	795	831-305	778	831-3106	753
805-158	191	806-106	795	831-321	778	831-3106/037-000	753
805-159	191	806-107	795	831-500	777	831-3106/107-000	753
805-160	191	806-108	795	831-503	776	831-3107	753
805-161	191	806-109	795	831-505	776	831-3107/037-000	753
805-162	191	806-110	795	831-506	776	831-3107/107-000	753
805-163	191	806-111	795	831-1032	782	831-3108	753
805-164	191	806-112	795	831-1038	782	831-3108/037-000	753
805-165	191	806-202	795	831-1102	755	831-3108/107-000	753
805-166	191	806-203	795	831-1102/037-000	755	831-3109	753
805-167	191	806-204	795	831-1102/038-000	755	831-3109/037-000	753
805-168	191	806-205	795	831-1102/038-000/306-000	756	831-3109/107-000	753
805-169	191	806-206	795	831-1102/306-000	756	831-3202	759
805-170	191	806-207	795	831-1102/322-000	756	831-3202/007-000	759
805-171	191	806-208	795	831-1103	755	831-3202/109-000	759
805-172	191	806-209	795	831-1103/037-000	755	831-3203	759
805-173	191	806-210	795	831-1103/038-000	755	831-3203/007-000	759
805-174	191	806-211	795	831-1103/038-000/306-000	756	831-3203/109-000	759
805-302	193	806-212	795	831-1103/306-000	756	831-3204	759
805-302/200-604	291	806-902	795	831-1104	755	831-3204/007-000	759
805-302/200-604/997-404	291	806-903	795	831-1104/037-000	755	831-3204/109-000	759
805-303	193	806-904	795	831-1104/038-000	755	831-3205	759
805-303/200-604	291	806-905	795	831-1104/038-000/306-000	756	831-3205/007-000	759
805-303/200-604/997-405	291	806-906	795	831-1104/306-000	756	831-3205/109-000	759
805-304	193	806-907	795	831-1105	755	831-3206	759
805-304/200-604	291	806-908	795	831-1105/037-000	755	831-3206/007-000	759
805-304/200-604/997-405	291	806-909	795	831-1105/038-000	755	831-3206/109-000	759
805-305	193	806-910	795	831-1105/038-000/306-000	756	831-3207	759
805-305/200-604	291	806-911	795	831-1105/306-000	756	831-3207/007-000	759
805-305/200-604/997-405	291	806-912	795	831-1106	755	831-3207/109-000	759
805-306	193			831-1106/037-000	755	831-3208	759
805-306/200-604	291	816 Series		831-1106/038-000	755	831-3208/007-000	759
805-306/200-604/997-406	291	816-102	143	831-1106/038-000/306-000	756	831-3208/109-000	759
805-307	193	816-103	143	831-1106/306-000	756	831-3209	759
805-307/200-604	291	816-104	143	831-1106/322-000	756	831-3209/007-000	759
805-307/200-604/997-406	291	816-105	143	831-1107	755	831-3209/109-000	759
805-308	193	816-106	143	831-1107/037-000	755	831-3502	763
805-308/200-604	291	816-107	143	831-1107/038-000	755	831-3503	763
805-308/200-604/997-406	291	816-108	143	831-1107/038-000/306-000	756	831-3504	763
805-309	193	816-109	143	831-1107/306-000	756	831-3505	763
805-310	193	816-110	143	831-1107/322-000	756	831-3506	763
805-311	193	816-111	143	831-1108	755	831-3507	763
805-312	193	816-112	143	831-1108/037-000	755	831-3508	763
805-313	193			831-1108/038-000	755	831-3509	763
805-314	193	826 Series		831-1108/038-000/306-000	756	831-3522	763
805-315	193	826-155	803	831-1108/306-000	756	831-3523	763
805-316	193	826-156	803	831-1108/322-000	756	831-3524	763
805-317	193	826-157	803	831-1109	755	831-3525	763
805-318	193	826-158	803	831-1109/037-000	755	831-3526	763
805-319	193	826-158/000-006	803	831-1109/038-000	755	831-3527	763
805-320	193	826-158/000-016	803	831-1109/038-000/306-000	756	831-3528	763
805-321	193	826-159	803	831-1109/306-000	756	831-3529	763
805-322	193	826-159/000-006	803	831-1109/322-000	756	831-3602	765
805-323	193	826-160	803	831-1202	761	831-3602/108-000	766
805-324	193	826-160/000-006	803	831-1202/306-000	761	831-3603	765
805-352	191	826-160/000-016	803	831-1203	761	831-3603/108-000	766
805-353	191	826-161	804	831-1203/306-000	761	831-3604	765
805-354	191	826-162	804	831-1204	761	831-3604/108-000	766
805-355	191	826-163	804	831-1204/306-000	761	831-3605	765
805-356	191	826-164	804	831-1205	761	831-3605/108-000	766
805-357	191	826-165	804	831-1205/306-000	761	831-3606	765
805-358	191	826-166	804	831-1206	761	831-3606/108-000	766
805-359	191	826-167	804	831-1206/306-000	761	831-3607	765
805-360	191	826-168	804	831-1207	761	831-3607/108-000	766
805-361	191	826-169	804	831-1207/306-000	761	831-3608	765
805-362	191	826-170	804	831-1208	761	831-3608/108-000	766
805-363	191	826-171	804	831-1208/306-000	761	831-3609	765
805-364	191	826-172	804	831-1209	761	831-3609/108-000	766
805-365	191			831-1209/306-000	761	831-3622	765
805-366	191	828 Series		831-3102	753	831-3622/108-000	766
805-367	191	828-334	817	831-3102/037-000	753	831-3623	765
805-368	191			831-3102/107-000	753	831-3623/108-000	766
805-369	191	831 Series		831-3103	753	831-3624	765
805-370	191	831-137	778	831-3103/037-000	753	831-3624/108-000	766
805-371	191			831-3103/107-000	753	831-3625	765
805-372	191			831-3104	753	831-3625/108-000	766
805-373	191			831-3104/037-000	753	831-3626	765
805-374	191			831-3104/107-000	753	831-3626/108-000	766

Item No.	Page	Item No.	Page	Item No.	Page	Item No.	Page
831 Series		832 Series		2061 Series		2231 Series	
831-3627	765	832-3646	775	2061-903	331	2231-109/008-000	574
831-3627/108-000	766			2061-903/034-000	331	2231-109/026-000	573
831-3628	765	859 Series		2061-904	331	2231-109/031-000	574
831-3628/108-000	766	859-402	853	2061-904/034-000	331	2231-109/037-000	574
831-3629	765			2061-1601/998-404	281	2231-109/102-000	573
831-3629/108-000	766	2009 Series		2061-1602/998-404	283	2231-110/008-000	574
831-3642	765	2009-110/762-802	779	2061-1603/998-404	283	2231-110/026-000	573
831-3643	765	2009-110/762-803	779	2061-1621/998-404	281	2231-110/031-000	574
831-3644	765	2009-110/762-804	779	2061-1622/998-404	283	2231-110/037-000	574
831-3645	765	2009-110/762-805	779	2061-1623/998-404	283	2231-110/102-000	573
831-3646	765	2009-110/762-806	779	2061-1641/998-404	277	2231-111/008-000	574
831-3647	765	2009-110/762-807	779	2061-1642/998-404	279	2231-111/026-000	573
831-3648	765	2009-110/762-808	779	2061-1643/998-404	279	2231-111/031-000	574
831-3649	765	2009-110/762-807	779	2061-1661/998-404	277	2231-111/037-000	574
		2009-110/762-808	779	2061-1662/998-404	279	2231-111/102-000	573
832 Series		2009-110/762-852	779	2061-1663/998-404	279	2231-112/008-000	574
832-500	777	2009-110/762-853	779			2231-112/026-000	573
832-532	780	2009-110/762-854	779	2065 Series		2231-112/031-000	574
832-533	780	2009-110/762-855	779	2065-100/998-403	319	2231-112/037-000	574
832-534	780	2009-110/762-856	779	2065-101/998-403	317	2231-112/102-000	573
832-535	780	2009-110/762-857	779	2065-131	333	2231-113/008-000	574
832-542	781	2009-110/762-858	779	2065-133	333	2231-113/026-000	573
832-543	781	2009-110/762-859	779	2065-189	335	2231-113/031-000	574
832-544	781	2009-115	862			2231-113/037-000	574
832-545	781	2009-145	862	2070 Series		2231-113/102-000	573
832-1032	782			2070-400	332	2231-114/008-000	574
832-1038	782	2059 Series		2070-451/998-406	321	2231-114/026-000	573
832-1102	769	2059-189	334	2070-452/998-406	321	2231-114/031-000	574
832-1102/037-000	769	2059-301/998-403	303	2070-453/998-406	321	2231-114/037-000	574
832-1102/037-000/306-000	770	2059-302/998-403	305	2070-461/998-406	322	2231-114/102-000	573
832-1102/306-000	770	2059-303/998-403	305	2070-462/998-406	322	2231-115/008-000	574
832-1102/322-000	769	2059-321/998-403	303	2070-463/998-406	322	2231-115/026-000	573
832-1102/342-000	770	2059-322/998-403	305	2070-521/998-406	323	2231-115/031-000	574
832-1103	769	2059-323/998-403	305	2070-522/998-406	323	2231-115/037-000	574
832-1103/037-000	769	2059-901	327	2070-523/998-406	323	2231-115/102-000	573
832-1103/037-000/306-000	770	2059-901/018-000	327	2070-523/998-406	323	2231-116/008-000	574
832-1103/306-000	770	2059-901/021-000	327	2070-541/998-406	324	2231-116/026-000	573
832-1103/323-000	769	2059-901/021-000	327	2070-542/998-406	324	2231-116/031-000	574
832-1103/343-000	770	2059-902/018-000	327	2070-543/998-406	324	2231-116/037-000	574
832-1104	769	2059-902/021-000	327			2231-116/102-000	573
832-1104/037-000	769	2059-903	327	2092 Series		2231-117/008-000	574
832-1104/037-000/306-000	770	2059-903/018-000	327	2092-1610	853	2231-117/026-000	573
832-1104/306-000	770	2059-903/021-000	327			2231-117/031-000	574
832-1104/322-000	769			2231 Series		2231-117/037-000	574
832-1104/344-000	770	2060 Series		2231-102/008-000	574	2231-117/102-000	573
832-1105	769	2060-189	299	2231-102/026-000	573	2231-118/008-000	574
832-1105/037-000	769	2060-451/998-404	307	2231-102/031-000	574	2231-118/026-000	573
832-1105/037-000/306-000	770	2060-452/998-404	309	2231-102/037-000	574	2231-118/031-000	574
832-1105/306-000	770	2060-453/998-404	309	2231-102/102-000	573	2231-118/102-000	573
832-1105/323-000	769	2060-471/998-404	307	2231-103/008-000	574	2231-119/008-000	574
832-1105/345-000	770	2060-472/998-404	309	2231-103/026-000	573	2231-119/026-000	573
832-1106	769	2060-473/998-404	309	2231-103/031-000	574	2231-119/031-000	574
832-1106/037-000	769	2060-852/998-404	311	2231-103/037-000	574	2231-119/037-000	574
832-1106/037-000/306-000	770	2060-872/998-404	311	2231-103/102-000	573	2231-119/102-000	573
832-1106/306-000	770	2060-951/028-000	329	2231-104/008-000	574	2231-120/008-000	574
832-1106/322-000	769	2060-952/028-000	329	2231-104/026-000	573	2231-120/026-000	573
832-1106/344-000	770	2060-953/028-000	329	2231-104/031-000	574	2231-120/031-000	574
832-1202	773	2060-954/028-000	329	2231-104/037-000	574	2231-120/037-000	574
832-1202/306-000	773	2060-962/028-000	329	2231-104/102-000	573	2231-120/102-000	573
832-1203	773	2060-1451/998-404	271	2231-105/008-000	574	2231-121/008-000	574
832-1203/306-000	773	2060-1452/998-404	273	2231-105/026-000	573	2231-121/026-000	573
832-1204	773	2060-1453/998-404	273	2231-105/031-000	574	2231-121/031-000	574
832-1204/306-000	773	2060-1471/998-404	271	2231-105/037-000	574	2231-121/037-000	574
832-1205	773	2060-1472/998-404	273	2231-105/102-000	573	2231-121/102-000	573
832-1205/306-000	773	2060-1473/998-404	273	2231-106/008-000	574	2231-122/008-000	574
832-1206	773	2060-1852/998-404	275	2231-106/026-000	573	2231-122/026-000	573
832-1206/306-000	773	2060-1872/998-404	275	2231-106/031-000	574	2231-122/031-000	574
832-3602	775	2061 Series		2231-106/037-000	574	2231-122/037-000	574
832-3603	775	2061-189	299	2231-106/102-000	573	2231-122/102-000	573
832-3604	775	2061-601/998-404	313	2231-107/008-000	574	2231-123/008-000	574
832-3605	775	2061-602/998-404	315	2231-107/026-000	573	2231-123/026-000	573
832-3606	775	2061-603/998-404	315	2231-107/031-000	574	2231-123/031-000	574
832-3622	775	2061-621/998-404	313	2231-107/037-000	574	2231-123/037-000	574
832-3623	775	2061-622/998-404	315	2231-107/102-000	573	2231-123/102-000	573
832-3624	775	2061-623/998-404	315	2231-108/008-000	574	2231-124/008-000	574
832-3625	775	2061-901	331	2231-108/026-000	573	2231-124/026-000	573
832-3626	775	2061-901/034-000	331	2231-108/031-000	574	2231-124/031-000	574
832-3642	775	2061-902	331	2231-108/037-000	574	2231-124/037-000	574
832-3643	775			2231-108/102-000	573	2231-124/102-000	573
832-3644	775					2231-202/008-000	666
832-3645	775						

Item Number Index

Item No.	Page	Item No.	Page	Item No.	Page	Item No.	Page
2231 Series		2231 Series		2231 Series		2604 Series	
2231-202/026-000	665	2231-307/008-000	628	2231-321/037-000	627	2604-1307	201
2231-202/031-000	665	2231-307/026-000	627	2231-321/102-000	627	2604-1308	201
2231-202/037-000	665	2231-307/031-000	628	2231-322/008-000	628	2604-1309	201
2231-203/008-000	666	2231-307/037-000	627	2231-322/026-000	627	2604-1310	201
2231-203/026-000	665	2231-307/102-000	627	2231-322/031-000	628	2604-1311	201
2231-203/031-000	665	2231-307/107-000	628	2231-322/037-000	627	2604-1312	201
2231-203/037-000	665	2231-308/008-000	628	2231-322/102-000	627	2604-1502	201
2231-204/008-000	666	2231-308/026-000	627	2231-323/008-000	628	2604-1503	201
2231-204/026-000	665	2231-308/031-000	628	2231-323/026-000	627	2604-1504	201
2231-204/031-000	665	2231-308/037-000	627	2231-323/031-000	628	2604-1505	201
2231-204/037-000	665	2231-308/102-000	627	2231-323/037-000	627	2604-1506	201
2231-205/008-000	666	2231-308/107-000	628	2231-323/102-000	627	2604-1507	201
2231-205/026-000	665	2231-309/008-000	628	2231-324/008-000	628	2604-1508	201
2231-205/031-000	665	2231-309/026-000	627	2231-324/026-000	627	2604-1509	201
2231-205/037-000	665	2231-309/031-000	628	2231-324/031-000	628	2604-1510	201
2231-206/008-000	666	2231-309/037-000	627	2231-324/037-000	627	2604-1511	201
2231-206/026-000	665	2231-309/102-000	627	2231-324/102-000	627	2604-1512	201
2231-206/031-000	665	2231-309/107-000	628	2231-702/008-000	706	2604-3101	199
2231-206/037-000	665	2231-310/008-000	628	2231-702/026-000	705	2604-3102	202
2231-207/008-000	666	2231-310/026-000	627	2231-702/031-000	705	2604-3103	202
2231-207/026-000	665	2231-310/031-000	628	2231-702/037-000	705	2604-3104	202
2231-207/031-000	665	2231-310/037-000	627	2231-703/008-000	706	2604-3105	202
2231-207/037-000	665	2231-310/102-000	627	2231-703/026-000	705	2604-3106	202
2231-208/008-000	666	2231-310/107-000	628	2231-703/031-000	705	2604-3107	202
2231-208/026-000	665	2231-311/008-000	628	2231-703/037-000	705	2604-3108	202
2231-208/031-000	665	2231-311/026-000	627	2231-704/008-000	706	2604-3109	202
2231-208/037-000	665	2231-311/031-000	628	2231-704/026-000	705	2604-3110	202
2231-209/008-000	666	2231-311/037-000	627	2231-704/031-000	705	2604-3111	202
2231-209/026-000	665	2231-311/102-000	627	2231-704/037-000	705	2604-3112	202
2231-209/031-000	665	2231-312/008-000	628	2231-705/008-000	706	2604-3302	202
2231-209/037-000	665	2231-312/026-000	627	2231-705/026-000	705	2604-3303	202
2231-210/008-000	666	2231-312/031-000	628	2231-705/031-000	705	2604-3304	202
2231-210/026-000	665	2231-312/037-000	627	2231-705/037-000	705	2604-3305	202
2231-210/031-000	665	2231-312/102-000	627	2231-706/008-000	706	2604-3306	202
2231-210/037-000	665	2231-312/107-000	628	2231-706/026-000	705	2604-3307	202
2231-211/008-000	666	2231-313/008-000	628	2231-706/031-000	705	2604-3308	202
2231-211/026-000	665	2231-313/026-000	627	2231-706/037-000	705	2604-3309	202
2231-211/031-000	665	2231-313/031-000	628	2231-707/008-000	706	2604-3310	202
2231-211/037-000	665	2231-313/037-000	627	2231-707/026-000	705	2604-3311	202
2231-212/008-000	666	2231-313/102-000	627	2231-707/031-000	705	2604-3312	202
2231-212/026-000	665	2231-314/008-000	628	2231-707/037-000	705	2604-3502	202
2231-212/031-000	665	2231-314/026-000	627	2231-708/008-000	706	2604-3503	202
2231-212/037-000	665	2231-314/031-000	628	2231-708/026-000	705	2604-3504	202
2231-213/008-000	666	2231-314/037-000	627	2231-708/031-000	705	2604-3505	202
2231-213/026-000	665	2231-314/102-000	627	2231-708/037-000	705	2604-3506	202
2231-213/031-000	665	2231-314/107-000	628	2231-709/008-000	706	2604-3507	202
2231-213/037-000	665	2231-315/008-000	628	2231-709/026-000	705	2604-3508	202
2231-216/008-000	666	2231-315/026-000	627	2231-709/031-000	705	2604-3509	202
2231-216/026-000	665	2231-315/031-000	628	2231-709/037-000	705	2604-3510	202
2231-216/031-000	665	2231-315/037-000	627	2231-710/008-000	706	2604-3511	202
2231-216/037-000	665	2231-315/102-000	627	2231-710/026-000	705	2604-3512	202
2231-302/008-000	628	2231-315/107-000	628	2231-710/031-000	705		
2231-302/026-000	627	2231-316/008-000	628	2231-710/037-000	705		
2231-302/031-000	628	2231-316/026-000	627	2231-711/008-000	706	2606 Series	
2231-302/037-000	627	2231-316/031-000	628	2231-711/026-000	705	2606-1101	205
2231-302/102-000	627	2231-316/037-000	627	2231-711/031-000	705	2606-1102/020-000	207
2231-302/107-000	628	2231-316/102-000	627	2231-711/037-000	705	2606-1103/020-000	207
2231-303/008-000	628	2231-316/107-000	628	2231-712/008-000	706	2606-1104/020-000	207
2231-303/026-000	627	2231-317/008-000	628	2231-712/026-000	705	2606-1105/020-000	207
2231-303/031-000	628	2231-317/026-000	627	2231-712/031-000	705	2606-1106/020-000	207
2231-303/037-000	627	2231-317/031-000	628	2231-712/037-000	705	2606-1107/020-000	207
2231-303/102-000	627	2231-317/037-000	627			2606-1108/020-000	207
2231-303/107-000	628	2231-317/102-000	627			2606-1109/020-000	207
2231-304/008-000	628	2231-318/008-000	628	2604 Series		2606-1110/020-000	207
2231-304/026-000	627	2231-318/026-000	627	2604-1101	199	2606-1111/020-000	207
2231-304/031-000	628	2231-318/031-000	628	2604-1102	201	2606-1112/020-000	207
2231-304/037-000	627	2231-318/037-000	627	2604-1103	201	2606-1352	207
2231-304/102-000	627	2231-318/102-000	627	2604-1104	201	2606-1353	207
2231-304/107-000	628	2231-319/008-000	628	2604-1105	201	2606-1354	207
2231-305/008-000	628	2231-319/026-000	627	2604-1106	201	2606-1355	207
2231-305/026-000	627	2231-319/031-000	628	2604-1107	201	2606-1356	207
2231-305/031-000	628	2231-319/037-000	627	2604-1108	201	2606-1357	207
2231-305/037-000	627	2231-319/102-000	627	2604-1109	201	2606-1358	207
2231-305/102-000	627	2231-320/008-000	628	2604-1110	201	2606-1359	207
2231-305/107-000	628	2231-320/026-000	627	2604-1111	201	2606-1360	207
2231-306/008-000	628	2231-320/031-000	628	2604-1112	201	2606-1361	207
2231-306/026-000	627	2231-320/037-000	627	2604-1302	201	2606-1362	207
2231-306/031-000	628	2231-320/102-000	627	2604-1303	201	2606-3101	205
2231-306/037-000	627	2231-321/008-000	628	2604-1304	201	2606-3102/020-000	207
2231-306/102-000	627	2231-321/026-000	627	2604-1305	201	2606-3103/020-000	207
2231-306/107-000	628	2231-321/031-000	628	2604-1306	201	2606-3104/020-000	207

Item No.	Page	Item No.	Page	Item No.	Page	Item No.	Page
2606 Series		2624 Series		2626 Series		2706 Series	
2606-3105/020-000	207	2624-1309	149	2626-3107/020-000	155	2706-162	137
2606-3106/020-000	207	2624-1310	149	2626-3108/020-000	155	2706-202	135
2606-3107/020-000	207	2624-1311	149	2626-3109/020-000	155	2706-203	135
2606-3108/020-000	207	2624-1312	149	2626-3110/020-000	155	2706-204	135
2606-3109/020-000	207	2624-1502	149	2626-3111/020-000	155	2706-205	135
2606-3110/020-000	207	2624-1503	149	2626-3112/020-000	155	2706-206	135
2606-3111/020-000	207	2624-1504	149	2626-3352	156	2706-207	135
2606-3112/020-000	207	2624-1505	149	2626-3353	156	2706-208	135
2606-3352	208	2624-1506	149	2626-3354	156	2706-209	135
2606-3353	208	2624-1507	149	2626-3355	156	2706-210	135
2606-3354	208	2624-1508	149	2626-3356	156	2706-211	135
2606-3355	208	2624-1509	149	2626-3357	156	2706-212	135
2606-3356	208	2624-1510	149	2626-3358	156	2706-252	137
2606-3357	208	2624-1511	149	2626-3359	156	2706-253	137
2606-3358	208	2624-1512	149	2626-3360	156	2706-254	137
2606-3359	208	2624-3101	147	2626-3361	156	2706-255	137
2606-3360	208	2624-3102	150	2626-3362	156	2706-256	137
2606-3361	208	2624-3103	150			2706-257	137
2606-3362	208	2624-3104	150			2706-258	137
		2624-3105	150	2636 Series		2706-259	137
		2624-3106	150	2636-1101	159	2706-260	137
		2624-3107	150	2636-1102/020-000	161	2706-261	137
		2624-3108	150	2636-1103/020-000	161	2706-262	137
		2624-3109	150	2636-1104/020-000	161	2706-302	135
		2624-3110	150	2636-1105/020-000	161	2706-303	135
		2624-3111	150	2636-1106/020-000	161	2706-304	135
		2624-3112	150	2636-1107/020-000	161	2706-305	135
		2624-3302	150	2636-1108/020-000	161	2706-306	135
		2624-3303	150	2636-1109/020-000	161	2706-307	135
		2624-3304	150	2636-1110/020-000	161	2706-308	135
		2624-3305	150	2636-1111/020-000	161	2706-309	135
		2624-3306	150	2636-1112/020-000	161	2706-310	135
		2624-3307	150	2636-1352	161	2706-311	135
		2624-3308	150	2636-1353	161	2706-312	135
		2624-3309	150	2636-1354	161		
		2624-3310	150	2636-1355	161	2716 Series	
		2624-3311	150	2636-1356	161	2716-102	139
		2624-3312	150	2636-1357	161	2716-103	139
		2624-3502	150	2636-1358	161	2716-104	139
		2624-3503	150	2636-3101	159	2716-105	139
		2624-3504	150	2636-3102/020-000	161	2716-106	139
		2624-3505	150	2636-3103/020-000	161	2716-107	139
		2624-3506	150	2636-3104/020-000	161	2716-108	139
		2624-3507	150	2636-3105/020-000	161	2716-152	141
		2624-3508	150	2636-3107/020-000	161	2716-153	141
		2624-3509	150	2636-3108/020-000	161	2716-154	141
		2624-3510	150	2636-3109/020-000	161	2716-155	141
		2624-3511	150	2636-3110/020-000	161	2716-156	141
		2624-3512	150	2636-3111/020-000	161	2716-157	141
				2636-3112/020-000	161	2716-158	141
				2636-3352	162	2716-202	139
				2636-3353	162	2716-203	139
				2636-3354	162	2716-204	139
				2636-3355	162	2716-205	139
				2636-3356	162	2716-206	139
				2636-3357	162	2716-207	139
				2636-3358	162	2716-208	139
						2716-252	141
						2716-253	141
						2716-254	141
						2716-255	141
						2716-256	141
						2716-257	141
						2716-258	141
						2721 Series	
						2721-102/008-000	474
						2721-102/026-000	473
						2721-102/031-000	473
						2721-102/037-000	473
						2721-103/008-000	474
						2721-103/026-000	473
						2721-103/031-000	473
						2721-103/037-000	473
						2721-104/008-000	474
						2721-104/026-000	473
						2721-104/031-000	473
						2721-104/037-000	473
						2721-105/008-000	474
						2721-105/026-000	473
						2721-105/031-000	473

Item Number Index

Item No.	Page	Item No.	Page	Item No.	Page	Item No.	Page
2721 Series		2721 Series		2734 Series			
2721-105/037-000	473	2721-211/026-000	513	2734-202/037-000	395		
2721-106/008-000	474	2721-211/031-000	513	2734-203	395		
2721-106/026-000	473	2721-211/037-000	513	2734-203/031-000	395		
2721-106/031-000	473	2721-212/008-000	514	2734-203/037-000	395		
2721-106/037-000	473	2721-212/026-000	513	2734-204	395		
2721-107/008-000	474	2721-212/031-000	513	2734-204/031-000	395		
2721-107/026-000	473	2721-212/037-000	513	2734-204/037-000	395		
2721-107/031-000	473			2734-205	395		
2721-107/037-000	473			2734-205/031-000	395		
2721-108/008-000	474	2734 Series		2734-205/037-000	395		
2721-108/026-000	473	2734-102	365	2734-206	395		
2721-108/031-000	473	2734-102/031-000	366	2734-206/031-000	395		
2721-108/037-000	473	2734-102/037-000	365	2734-206/037-000	395		
2721-109/008-000	474	2734-102/107-000	365	2734-208	395		
2721-109/026-000	473	2734-103	365	2734-208/031-000	395		
2721-109/031-000	473	2734-103/031-000	366	2734-208/037-000	395		
2721-109/037-000	473	2734-103/037-000	365	2734-209	395		
2721-110/008-000	474	2734-103/107-000	365	2734-209/031-000	395		
2721-110/026-000	473	2734-104	365	2734-209/037-000	395		
2721-110/031-000	473	2734-104/031-000	366	2734-210	395		
2721-110/037-000	473	2734-104/037-000	365	2734-210/027-000	396		
2721-111/008-000	474	2734-104/107-000	365	2734-210/031-000	395		
2721-111/026-000	473	2734-105	365	2734-210/037-000	395		
2721-111/037-000	473	2734-105/031-000	366	2734-212	395		
2721-112/008-000	474	2734-105/037-000	365	2734-212/027-000	396		
2721-112/026-000	473	2734-105/107-000	365	2734-212/031-000	395		
2721-112/031-000	473	2734-106	365	2734-212/037-000	395		
2721-112/037-000	473	2734-106/031-000	366	2734-214	395		
2721-113/026-000	473	2734-106/037-000	365	2734-214/027-000	396		
2721-114/008-000	474	2734-106/107-000	365	2734-214/031-000	395		
2721-114/026-000	473	2734-107	365	2734-214/037-000	395		
2721-114/031-000	473	2734-107/031-000	366	2734-215	395		
2721-114/037-000	473	2734-107/037-000	365	2734-215/027-000	396		
2721-115/008-000	474	2734-107/107-000	365	2734-215/037-000	395		
2721-115/026-000	473	2734-108	365	2734-216	395		
2721-115/037-000	473	2734-108/031-000	366	2734-216/027-000	396		
2721-116/008-000	474	2734-108/037-000	365	2734-216/031-000	395		
2721-116/026-000	473	2734-108/107-000	365	2734-216/037-000	395		
2721-116/031-000	473	2734-109	365	2734-218	395		
2721-116/037-000	473	2734-109/031-000	366	2734-218/027-000	396		
2721-120/008-000	474	2734-109/037-000	365	2734-218/037-000	395		
2721-120/026-000	473	2734-109/107-000	365	2734-219	395		
2721-120/031-000	473	2734-110	365	2734-219/027-000	396		
2721-120/037-000	473	2734-110/027-000	366	2734-219/037-000	395		
2721-202/008-000	514	2734-110/037-000	365	2734-220	395		
2721-202/026-000	513	2734-110/107-000	365	2734-220/027-000	396		
2721-202/031-000	513	2734-111	365	2734-220/031-000	395		
2721-202/037-000	513	2734-111/027-000	366	2734-220/037-000	395		
2721-203/008-000	514	2734-111/037-000	365				
2721-203/026-000	513	2734-111/107-000	365	2857 Series			
2721-203/031-000	513	2734-112	365	2857-101	853		
2721-203/037-000	513	2734-112/027-000	366	2857-102	853		
2721-204/008-000	514	2734-112/031-000	366	2857-103	853		
2721-204/026-000	513	2734-112/037-000	365	2857-121	853		
2721-204/031-000	513	2734-112/107-000	365	2857-122	853		
2721-204/037-000	513	2734-113	365	2857-123	853		
2721-205/008-000	514	2734-113/027-000	366	2857-124	853		
2721-205/026-000	513	2734-113/037-000	365	2857-191/3140-000	854		
2721-205/031-000	513	2734-113/107-000	365	2857-192/3140-000	854		
2721-205/037-000	513	2734-114	365	2857-193/3140-000	855		
2721-206/008-000	514	2734-114/027-000	366	2857-194/3140-000	855		
2721-206/026-000	513	2734-114/037-000	365				
2721-206/031-000	513	2734-114/107-000	365				
2721-206/037-000	513	2734-116	365				
2721-207/008-000	514	2734-116/027-000	366				
2721-207/026-000	513	2734-116/037-000	365				
2721-207/031-000	513	2734-116/107-000	365				
2721-207/037-000	513	2734-118	365				
2721-208/008-000	514	2734-118/027-000	366				
2721-208/026-000	513	2734-118/037-000	365				
2721-208/031-000	513	2734-118/107-000	365				
2721-208/037-000	513	2734-120	365				
2721-209/008-000	514	2734-120/027-000	366				
2721-209/026-000	513	2734-120/037-000	365				
2721-209/031-000	513	2734-120/107-000	365				
2721-209/037-000	513	2734-124	365				
2721-210/008-000	514	2734-124/027-000	366				
2721-210/026-000	513	2734-124/037-000	365				
2721-210/031-000	513	2734-124/107-000	365				
2721-210/037-000	513	2734-202	395				
2721-211/008-000	514	2734-202/031-000	395				

Item No.	Page	Item No.	Page	Item No.	Page	Item No.	Page

WAGO Worldwide Companies and Representatives

- Algeria**
Please contact WAGO France
- Argentina**
Bruno Schillig S.A.
Arenales 4030, B1604CFD
Florida, PBA
Phone +54 11 4730 1100
Fax +54 11 4761 7244
wago@schillig.com.ar
- Armenia**
ROOT ITSP LLC
33 Halabyan str.
0038, Yerevan
info@root.am
- Australia**
WAGO Pty. Ltd.
2-4 Overseas Drive
Noble Park Victoria 3174
Phone +61 03 8791 6300
Fax +61 03 9701 0177
sales.anz@wago.com
- Austria**
WAGO Kontakttechnik Ges.m.b.H.
Europaring F15 602
Campus 21
2345 Brunn am Gebirge
Phone +43 1 6150780
Fax +43 1 6150775
wago-at@wago.com
- Azerbaijan**
AZ Technics LTD
Zulfi V. Alizade
Y.Safarov str.33, AZ1025,
Baku
Phone +994 50 210 24 49
Fax +994 12 496 83 34
info@AZtechnics.az
- Bangladesh**
Please contact WAGO India
- Belarus**
DemsEnergO LLC
Vostochnaya Str. 39, Office 1N.
220040 Minsk
Phone +375 17 2102189
Fax +375 17 2102189
dems@dems.by
- ATAVA Techno Ltd.
Ul. Denisovskaya 47, office 1
220006 Minsk
Phone +375173881018
atava@atava.by
- Belgium**
WAGO BeLux nv
Excelsiorlaan 11
1930 Zaventem
Phone +32 2 717 9090
Fax +32 2 717 9099
info-be@wago.com
- Bolivia**
ISOTEK S.R.L.
Zona Casco Viejo
Calle Isso #578, B/San Roque
Santa Cruz
Phone +591 721 000 27
info@isotek.bo
- Bosnia & Herzegovina**
Please contact WAGO Bulgaria
- Brazil**
WAGO Eletroeletrônicos Ltda
Rua Tripoli, 640, Loteamento Multivias II
Jardim Ermida I
Jundiaí - SP
CEP 13212-217
Phone +55 (11) 2923 7200
info.br@wago.com
- Bulgaria**
WAGO Kontakttechnik GmbH & Co. KG
Representative Office Sofia
Business Center Serdiika
2E Akad. Ivan Geshov Blvd.
Building 1, Floor 4, Office 417
1330 Sofia
Phone +359 2 489 46 09/10
Fax +359 2 928 28 50
info-BG@wago.com
- Canada**
WAGO Canada, Inc.
1550 Yorkton Court - Unit 1
Burlington, ON L7P 5B7
Phone +1-888-9246-221
info.ca@wago.com
- Chile**
Desimat Chile
Av Puerto Vespuccio 9670
Pudahuel Santiago
Phone +56 2 747 0152
Fax +56 2 747 0153
ventaschile@desimat.cl
- China**
WAGO Electronic (Tianjin) Co., Ltd.
No.5, Quan Hui Road
Wuqing Development Area
Tianjin 301700
Phone +86 22 5967 7688
Fax +86 22 5961 7668
info-cn@wago.com
- Colombia**
T.H.L. Ltda.
Cra. 49 B #91-33
Bogotá
Phone +57 1 621 85 50
Fax +57 1 621 60 28
ventas-thl2@thl.com.co
- Croatia**
M.B.A. d.o.o.
Frana Supila 5
51211 Matulji
Phone +385 51 275-736
Fax +385 51 275-066
mba@ri.htnet.hr
- MICROSTAR d.o.o.
Siget 18 b
10020 Zagreb
Phone +385 1 3647 849
Fax +385 1 3636 662
wago@microstar.hr
- Czech Republic**
WAGO Elektro spol. sr. o.
Rozvodova 1116/36
143 00 Praha 12 - Modřany
Phone +420 261 090 143
info.cz@wago.com
wago-cz@wago.com
- Denmark**
WAGO Denmark A/S
Lejrvej 17
3500 Værløse
Phone +45 44 357 777
info.dk@wago.com
- Ecuador**
ECUAINSETEC CIA LTDA
Yugoslavia N34-110 y Azuay
Quito
Phone +593 2 24 50 475
Fax +593 2 22 51 242
g.castro@ecuainsetec.com.ec
- Egypt**
IBN Engineering / Distributor (Automation
Products)
Phone +2 02 3 721 43 50
Fax +2 02 3 722 17 09
nasrelwy@ibnengineering.com
- Estonia**
Eltarko OÜ
Treiali tee 2 door 6
Peetri küla
Rae vald
75312 Harjumaa
Phone +372 651 7731/32
Fax +372 651 7786
andres@eltarko.ee
- Finland**
WAGO Finland Oy
Äyritie 12 B
01510 Vantaa
Phone +358 9 7744 060
Fax +358 9 7744 0660
info.fi@wago.com
- France**
WAGO Contact SAS
Paris Nord 2
83 Rue des Chardonnerets
93290 - Tremblay en France
B.P. 95947 - ROISSY CDG CEDEX
Phone +33 1 4817 2590
Fax +33 1 4863 2520
info-fr@wago.com
- Germany**
WAGO Kontakttechnik GmbH & Co. KG
Hansastraße 27
32423 Minden
Phone +49 571 887-0
Fax +49 571 887-169
info@wago.com
- WAGO Kontakttechnik GmbH & Co. KG
Waldstraße 1
99706 Sondershausen
Phone +49 3632 659-0
Fax +49 3632 659-100
info@wago.com
- Great Britain**
WAGO Limited
Triton Park, Swift Valley Industrial Estate
RUGBY
Warwickshire, CV21 1SG
Phone +44 1788 568 008
Fax +44 1788 568 050
uksales@wago.com
- Greece**
PANAGIOTIS SP. DIMOULAS
DIMOULAS AUTOMATIONS
Kritis Str. 26
10439 Athens
Phone +30 210 883 3337
Fax +30 210 883 4436
wago.info@dimoulas.com.gr
- Honduras**
CILASAS S.A. de C.V.
Barrio Los Andes
7 Calle entre 14 y 15 Ave. N.O.
P.O. Box. 1061
San Pedro Sula
Phone +504 2557 1146/7
Fax +504 2557 1149
ventas@iecilasa.com
- Hong Kong**
National Concord Eng., Ltd.
Unit A-B, 5/F.
Southeast Industrial Building
611-619 Castle Peak Road
Tsuen Wan, N.T.
Phone +852 2429 2611
Fax +852 2429 2164
sales@nce.com.hk
- Hungary**
WAGO Hungária KFT
Ipari Park, Gyár u. 2
2040 Budapest
Phone +36 23 502-170
Fax +36 23 502-1
info.hu@wago.com
- Iceland**
Johan Rönning ehf / S.Gudjonsson
Smidjuvegur 3
200 Kopavogur
Phone +354 520-4500
Fax +354 520-4501
export@wago.com
- India**
WAGO Private Limited
C-27, Sector-58, Phase-III
Noida-201 301
Uttar Pradesh-201301
Phone +91 120 438 8700
Fax +91 120 438 8799
info.india@wago.com
- Indonesia**
Please contact WAGO Singapore
- Iraq**
Please contact WAGO Middle East
- Ireland**
Drives & Controls
Unit F4, Riverview Business Park
Nangor Road
Dublin 12
Phone +353 1 4604474
Fax +353 1 4604507
info@drivesandcontrols.ie
- Israel**
Comtel Israel Electronic Solutions Ltd.
Bet Hapaamon
20 Hataas Street
P.O. Box 66
44425 Kefar-Saba
Phone +972 9 76 77 240
Fax +972 9 76 77 243
sales@comtel.co.il
- Italy**
WAGO Elettronica SRL a Socio Unico
Via Parini 1
40033 Casalecchio di Reno (BO)
Phone +39 051 6132112
Fax +39 051 6132888
info-ita@wago.com
- Japan**
WAGO Co. of JAPAN Ltd.
Kinshicho Prime Tower
1-5-7, Kameido, Koto-ku
Tokyo 136-0071
Phone +81 3 5627 2050
Fax +81 3 5627 2055
info-jp@wago.com
- Jordan**
Oxgen for Engineering Systems Co. L.L.C
PO Box: 2154 Amman
11953 Jordan
Phone +962 79 9 860 869
Fax. +962 655 211 89
info@oxgn-grp.com
- Kazakhstan**
Axima LLP
232/2, Ryskulov avenue
050061 Almaty
Phone +7 727 356 52 91/92/93
Fax +7 727 327 14 92/93
trade1@axima.kz
or@axima.kz
- Technik-Tade LLC
Kabanbay Batyra Str. 11
office 305
070004 Ust-Kamenogorsk
Phone +7 7232 254064
Fax +7 7232 253251
info@technik.kz
- Korea**
WAGO Korea Co., Ltd.
Room A413~A416, A dong,
Indukwon IT Valley Building, Imiro 40,
Poil-dong,Uiwang-Si, Gyeonggi-do,
16006, South Korea
Phone +82 31 421 9500
Fax +82 31 360 2476
info.korea@wago.com
- Kosovo**
Please contact WAGO Bulgaria
- Latvia**
INSTABALT LATVIA SIA
Vestienas iela 6
Riga, LV-1035
Phone +371 6790 1188
Fax +371 6790 1180
info@instabalt.lv
- Lebanon**
Gemayel Trading & Contracting
Rue 55, Antonins Project-Bloc L
P.O. BOX 70-1096
Antelias, Lebanon
Phone +961 3 22 30 29
Fax +961 4 52 10 29
info@gtclb.com
- Lithuania**
INSTABALT LIT UAB
Savanorių 187
Vilnius, 2053
Phone +370 52 322 295
Fax +370 52 322 247
info@instabalt.lt
- Luxembourg**
Please contact WAGO Belgium
- Malaysia**
WAGO Automation Sdn. Bhd.
No 806, Block A4, Leisure Commerce
Square,
No 9, Jalan PJS 8/9, 46150 Petaling Jaya,
Selangor Darul Ehsan, Malaysia
Phone +60 3 7877 1776
Fax +60 3 7877 2776
info-my@wago.com

Maledivea

Please contact WAGO India

Mexico

WAGO S.A. de C.V.
Carretera estatal 431 Km. 2+200
Lote 99 Módulo 6
Parque Industrial Tecnológico Innovación Querétaro
El Marqués, Qro. 76246
Phone +52 442 221 5946
Fax +52 442 221 5063
info.mx@wago.com

Morocco

Automatisme & Connection Maroc
23, Rue Boured
2ème étage, appt4
Roche Noire
20300 Casablanca
Phone +212 522 24 21 72/73
Fax +212 522 24 21 75
info-fr@wago.com

Nepal

Please contact WAGO India

Netherlands

WAGO Nederland B.V.
Laan van de Ram 19
7234 BW APELDOORN
Phone +31 55 36 83 500
Fax +31 55 36 83 599
info-nl@wago.com

New Zealand

Please contact WAGO Australia

Engineering Computer Services Ltd
7-19 Ruffell Rd
Hamilton, 3200
New Zealand
Phone +64 (0) 7 849 2211
Fax +64 (0) 7 849 2220
sales@ecsnz.com

Nigeria

GIL Automations Ltd.
Daily Times Complex
2 Lateef Jakande Rd., Agidingbi
100271 Ikeja, Lagos State
Phone +234 17132672335
sales@gilautomation.com

Norway

WAGO Norge AS
Jerikoveien 20
1067 Oslo
Phone +47 22 30 94 50
Fax +47 22 30 94 51
info.no@wago.com

Oman

Please contact WAGO Middle East

Pakistan

FuziLogix Automation & Control
Suit No. 14, 5th Floor, Shan Arcade
New Garden Town, Lahore
Phone +92 42 594 1503 - 4
Fax +92 42 585 1431
info@fuzilogix.com

S.A. Hamid & Co.

7 Brandreth Road
Lahore, 54000
Phone +92 42 376 500 99
Fax +92 42 376 513 91
sales@sahamid.com

Paraguay

AESA
Av. Madame Lynch
c/Antolin Irala
2309 Asunción
Phone +59 521674524
info@aesa.com.py

Philippines

Please contact WAGO Singapore

Poland

WAGO ELWAG sp. z o. o.
ul. Piękna 58 a
50-506 Wrocław
Phone +48 71 3602970
Fax +48 71 3602999
wago.elwag@wago.com

Portugal

MORGADO & CA. LDA - SEDE
Estrada Exterior da
Circunvalação 3558/3560
Apartado 1057
4435 Rio Tinto
Phone +351 22 9770600
Fax +351 22 9770699
geral@morgadocl.pt

Quatar

GEBD - Gulf European Business
Development - Company W.L.L.)
PO Box: 20 000
Doha, Quatar
Phone +974 5591 5682
info@gebdc.com

Republic of Moldova

Smart Delight SRL
Bulgara Str. 9/6
2001 Chisinau
Phone +373 (373) 69 10 22 01
alexandres@starnet.md

Republic of North Macedonia

Please contact WAGO Bulgaria

Kompjunet Inzenering
Vladimir Komarov 1A-3/9
1000 Skopje
Phone +389 2 521 12 00

Romania

WAGO Kontakttechnik GmbH & Co. KG
Representative Office Romania
Sos. Pipera-Tunari nr. 1/1
building 1, 2nd floor
077190 Voluntari, Ilfov
Phone +40-(0)31 421 85 68
info-RO@wago.com

Russia

OOO WAGO Contact Rus
Iljinskaya strret 5, bldg. 2
127576 Moscow
Phone +7 495 223-4747
info.ru@wago.com
www.wago.ru

Saudi Arabia

Saudi Electronic Trading
P.O. Box 60712
Riyadh 11555
Phone +966 11 2063 377
Fax +966 11 4633 297
info@setra.com.sa

Serbia

Please contact WAGO Bulgaria

Mehatronik Sistem d.o.o.
Bul. Oslobođenja 30
32000 Cacak
Phone +381 (0)32 310 088
Fax. +381 (0)32 371 571
Mobil +381 (0)64 877 22 02
office@mehatronik.com

Sigma Controls Engineering d.o.o.

Jovana Skerlica 22
18000 Nis
Mobil +381 (0)63 403 104
zeljko.savic@sce.rs

Singapore

WAGO Electronic Pte Ltd
138 Joo Seng Road #06-01
Singapore 368361
Phone +65 62866776
Fax +65 62842425
info-sing@wago.com

Slovakia

Proelektro spol. s r.o.
Na barine 22
841 03 Bratislava - Lamač
Phone +421 2 4569 2503
info@wago.sk

Slovenia

IC elektronika d.o.o.
Vodovodna cesta 100
1000 Ljubljana
Phone +386 1568 01 26
Fax +386 1568 91 07
info@ic-elect.si

Slovenia

Elektronabava d.o.o.
Cesta 24 junija 3
1231 Ljubljana
Phone +386 1 58 99 300
Fax +386 1 58 99 409
info@elektronabava.si

South Africa

Shorrock Automation CC
Nelmapius drive
5 Regency Drive, Route 21 Corp. Park
0051 Centurion
Phone +27 12 4500300
Fax +27 12 4500322
sales@shorrock.co.za

Spain

DICOMAT S.L.
Avda. de la Industria, 36
Apartado Correos, 1.178
28108-Alcobendas (Madrid)
Phone +34 91 662 1362
Fax +34 91 661 0089
info@dicomat-asetyc.com

Sri Lanka

Please contact WAGO India

Sweden

WAGO Sverige AB
Box 11127, 161 11 BROMMA
Besöksadress: Adolfsbergsv. 31
Phone +46 858410680
info.se@wago.com

Switzerland

WAGO CONTACT SA
Rte. de l'Industrie 19
Case Postale 168
1564 Domdidier
Phone +41/26 676 75 00
Fax +41/26 676 75 01
info.switzerland@wago.com

Syria

Please contact WAGO Middle East

Taiwan R.O.C.

WAGO Contact, Ltd.
5F, No.168, Jiankang Rd
Zhonghe City
Taipei County 23585, Taiwan
Phone +886 2 2225 0123
Fax +886 2 2225 1511
info.taiwan@wago.com

Thailand

WAGO Contact Ltd.
4th Floor, KS Building
213/6-8 Rachada-Phisek Road
Dingdaeng Bangkok 10400
Phone +66 2 6935611
Fax +66 2 6935612
info-th@wago.com

Tunisia

Please contact WAGO France

Turkey

WAGO Elektronik Sanayi ve Ticaret Ltd. Şti.
Yukarı Dudullu Mahallesi Bayraktar Bulvarı
Cad. Hattat Sok. No. 10
34775 Ümraniye - İstanbul
Phone +90 216 472 1133
Fax +90 216 472 9910
info.tr@wago.com

Ukraine

LLC RPE „Logicon“
Predslavinskaya street, 37, office 303
03150 Kiev
Phone +380 44 5228019
Fax +380 44 2611803
info@logicon.ua

Micropribor Ltd.

4, Krzhizhanovsky Str.
03142 Kiev
Phone +380 44 392 93 86
Fax +380 44 392 93 87
sales@micropribor.kiev.ua

United Arab Emirates (UAE)

WAGO Middle East (FZC)
SAIF Zone, Q4-282
P.O. Box 120665
Sharjah, UAE
Phone +971 6 5579920
Fax +971 6 5579921
info.uae@wago.com

Uruguay

Fivisa Electricidad
Avda. Uruguay 1274
11100 Montevideo
Phone +59 829 020 808
Fax +59 829 021 230
info@fivisa.com.uy

USA

WAGO CORPORATION
N120 W19129 Freistadt Road
Germantown, WI 53022
Phone +1 262 255 6222
Fax +1 262 255 3232
Toll-Free: 1-800 DIN Rail (346-7245)
info.us@wago.com

Venezuela

PETROBORNAS, C.A.
C.C. PLAZA AEROPUERTO - PISO 1 - LO-
CAL P1-B-03
(8015) UNARE - PUERTO ORDAZ -
ESTADO BOLÍVAR
REPÚBLICA BOLIVARIANA DE
VENEZUELA
Phone +58 286 951 3382
Fax +58 286 951 3382
info@petrobornas.com

Vietnam

Please contact WAGO Germany (Minden)

Version: 10/2020

Current addresses at www.wago.com

Success for generations: environmental protection at WAGO



At WAGO, we see environmental protection not only as compliance with environmental protection requirements.

As a growing company, our commitment to the environment drives our efforts to deliver new ideas, new concepts and new technologies along the product lifecycle. Here our employees and business partners support us.

Corporate environmental protection

Business growth also leads to higher consumption of resources. We have realized that the economic success of a company also depends on the achievement of environmental goals.

As a manufacturing company, we therefore support developments that make a contribution to environmental protection. In doing so, we always pursue individual material flows along the value chain, because we see resources, product design, production and consumption as a whole.

With our environmental management system certified in accordance with DIN EN ISO 14001, we ensure that the required national and international requirements are complied with in all areas of the company and that the concept of environmental protection is practiced in all corporate processes. In addition, WAGO is pursuing further efforts in the field of environmental protection that go far beyond the requirements of ISO

Some examples include the recycling of plastics, resource savings on product and packaging materials, the use of recycled paper throughout the company, the introduction of e-filling stations and the use of waste heat from production processes.

Product-related environmental protection

Product-related environmental protection is an important part of sustainable environmental management at WAGO. Ensuring compliance with substance bans / restrictions worldwide, such as: As REACH, RoHS has a high priority.

RoHS – Restriction of the use of certain Hazardous Substances

It is an EC directive that regulates the use of certain hazardous substances in electrical and electronic equipment. In addition to reducing the harmful effects on humans and the environment, legislation aims to improve recycling possibilities. WAGO closely monitors the development regarding RoHS and reacts promptly to specifications accordingly. For more information about RoHS please contact us via ehs-product-compliance@wago.com.

RoHS 
Compliant

Success for generations: environmental protection at WAGO

REACH – Registration, Evaluation and Authorisation of Chemicals

On 01.06.2007 the regulation (EC) no. 1907/2006 (REACH regulation) came into force and since then forms a valid legal basis for all EU member states. To protect human health and the environment, this EU Chemicals Regulation aims to classify and identify all chemicals, including their effects.

The REACH Regulation creates specific obligations for each actor in the supply chain. The products manufactured by WAGO are to be designated as products in the sense of the regulation. Since products are not subject to registration, WAGO usually assumes the role of the downstream user in the supply chain. WAGO therefore has an obligation to provide information along the supply chain in accordance with REACH Article 33. WAGO is naturally aware of this obligation.

BOMcheck.net

BOMcheck

European legislation such as REACH or RoHS requires the provision of information on restricted ingredients in products. This information must be shared by manufacturers and suppliers in the supply chain. WAGO meets this challenge in product-related environmental protection successfully and efficiently with BOMcheck.

BOMcheck is a centralized database for the declaration of ingredients. It is a compliance tool specifically designed to enable manufacturers and suppliers to produce their substance declarations under REACH, RoHS, and other restrictions on ingredients in an efficient and structured manner. This Internet database system increases data quality in the area of product-related environmental protection.

Further information on BOMcheck can be found at the following link: <http://www.bomcheck.net>

WEEE – Waste of Electrical and Electronic Equipment

The WEEE Directive 2012/19/EU regulates the take-back and recycling of electrical and electronic equipment. Manufacturers and importers of electrical and electronic equipment are obliged to register as a 'WEEE producer' and to comply with the reporting and take-back obligations. As a matter of course, we have taken compliance with legal WEEE requirements very seriously all the time - in our own interest as well as in the well-understood interest of our customers.

Only some of our products fall within the scope of the WEEE Directive and the Member State's implementation laws. These products are WEEE-compliant marked by us, as far as such a marking is legally required (which is not required for the B2B area Europe-wide).

For more information about WEEE please contact us via ehs-product-compliance@wago.com.

Less is more: our packaging

Recycling is the basis for choosing our packaging materials. All packaging used by WAGO can be recycled in the economic cycle without further pretreatment. In addition to the aspect of recycling, emphasis is placed on resource conservation. For this reason, our cardboard boxes consist of 80% recycled paper and are marked with the Resy symbol. The Resy symbol guarantees compliance with the Packaging Ordinance for transport packaging. The labeling is partly done by perforation. This process enables the colorless printing of WAGO cardboard boxes. This avoids unnecessary environmental pollution.

WAGO Kontakttechnik GmbH & Co. KG
Postfach 2880 · D · 32385 Minden
Hansastraße 27 · D · 32423 Minden
info@wago.com
www.wago.com

Headquarters	+49 571 887 - 0
Sales	+49 571 887 - 44222
Order Service	+49 571 887 - 44333
Fax	+49 571 887 - 844169

WAGO is a registered trademark of WAGO Verwaltungsgesellschaft mbH.

"Copyright – WAGO Kontakttechnik GmbH & Co. KG – All rights reserved. The content and structure of the WAGO websites, catalogs, videos and other WAGO media are subject to copyright. Distribution or modification to the contents of these pages and videos is prohibited. Furthermore, the content may neither be copied nor made available to third parties for commercial purposes. Also subject to copyright are the images and videos that were made available to WAGO Kontakttechnik GmbH & Co. KG by third parties."